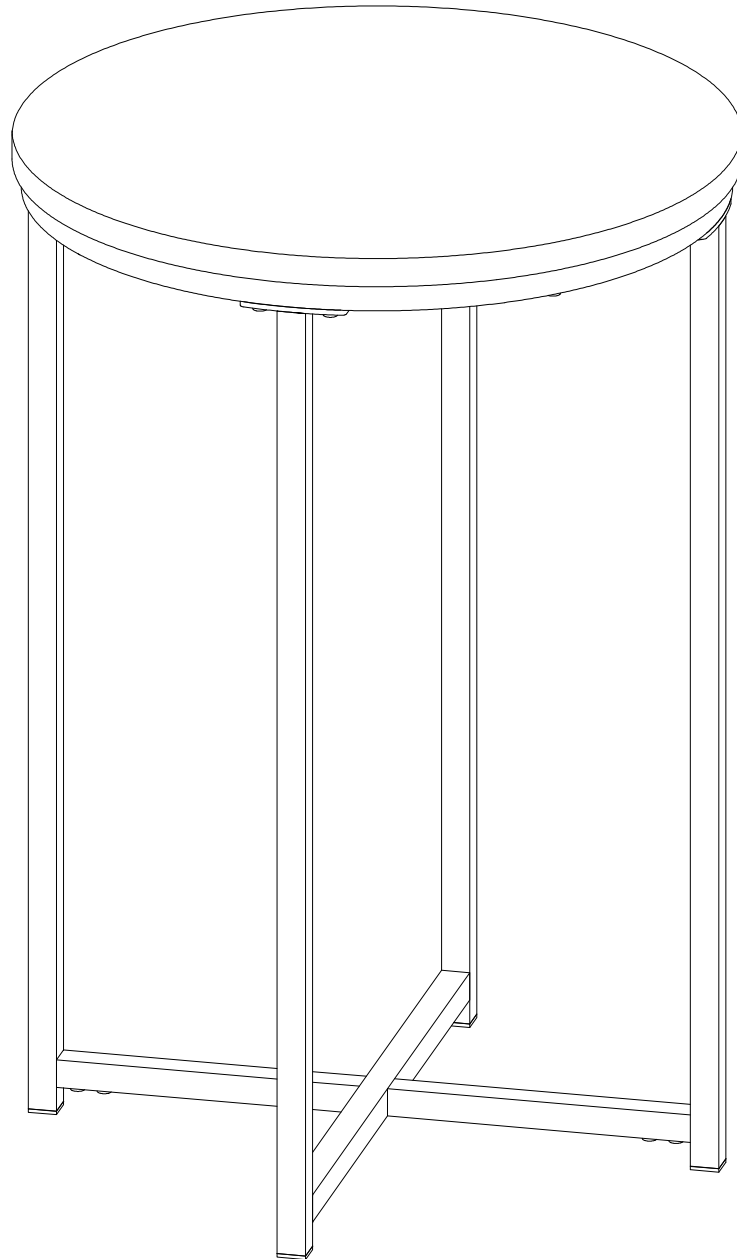


# Assembly Instructions



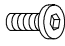

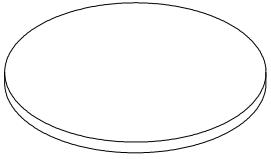
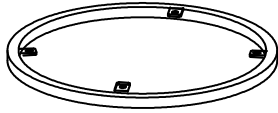
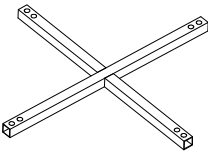
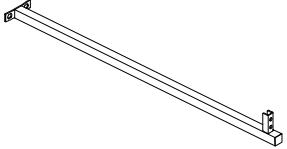
THANKS FOR YOUR PURCHASE!

WE DO OUR BEST TO INSURE THAT YOUR FURNITURE ARRIVES IN EXCELLENT CONDITION. IN THE EVENT THAT A PART IS DAMAGED OR MISSING, WE WILL BE HAPPY TO PROVIDE YOU WITH ASSIST ATTACH YOUR ORDER ID SO THAT WE CAN ASSIST YOU BETTER.

IMPORTANT:PLEASE READ ALL THE INSTRUCTIONS BEFORE STARTING ASSEMBLY.



# Part List

When unpacking, please be careful not to discard any parts with the packaging. Be sure to check all packing material carefully for small parts which may have come loose inside the carton during shipment. Please separate, identify, and count all parts and metal hardware. Compare with part list to be sure all parts are present. If hardware is missing or you have difficulty in assembling this product, please contact us at your earliest convenience.

A	M6*12mm Screw	B	Allen Key		
					
	20PCS		1PCS		
1	Table top	2	Circle part	3	Cross
					
	1PC		1PC		1PC
					
					4PCS

## Installation Steps

**Notice:** Do not fully tighten each screw after you put in, after you attach all the screws, tighten them back and forth to make sure the legs are even.

1		2	
A	M6*12mm Screw	A	M6*12mm Screw
	 8PCS		 12PCS

**Caution:** Inspect and make sure all parts are connected, then the end table is ready to use. If the table wobbles, loosen the parts and try to assemble again. Our table set can only be used on a flat, level surface. For better use, we may advise you to tighten all the screws every few months.