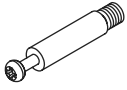
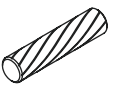
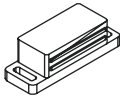
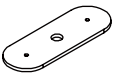

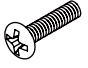
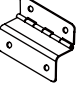



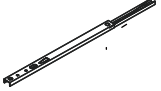
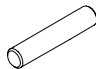
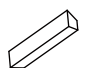
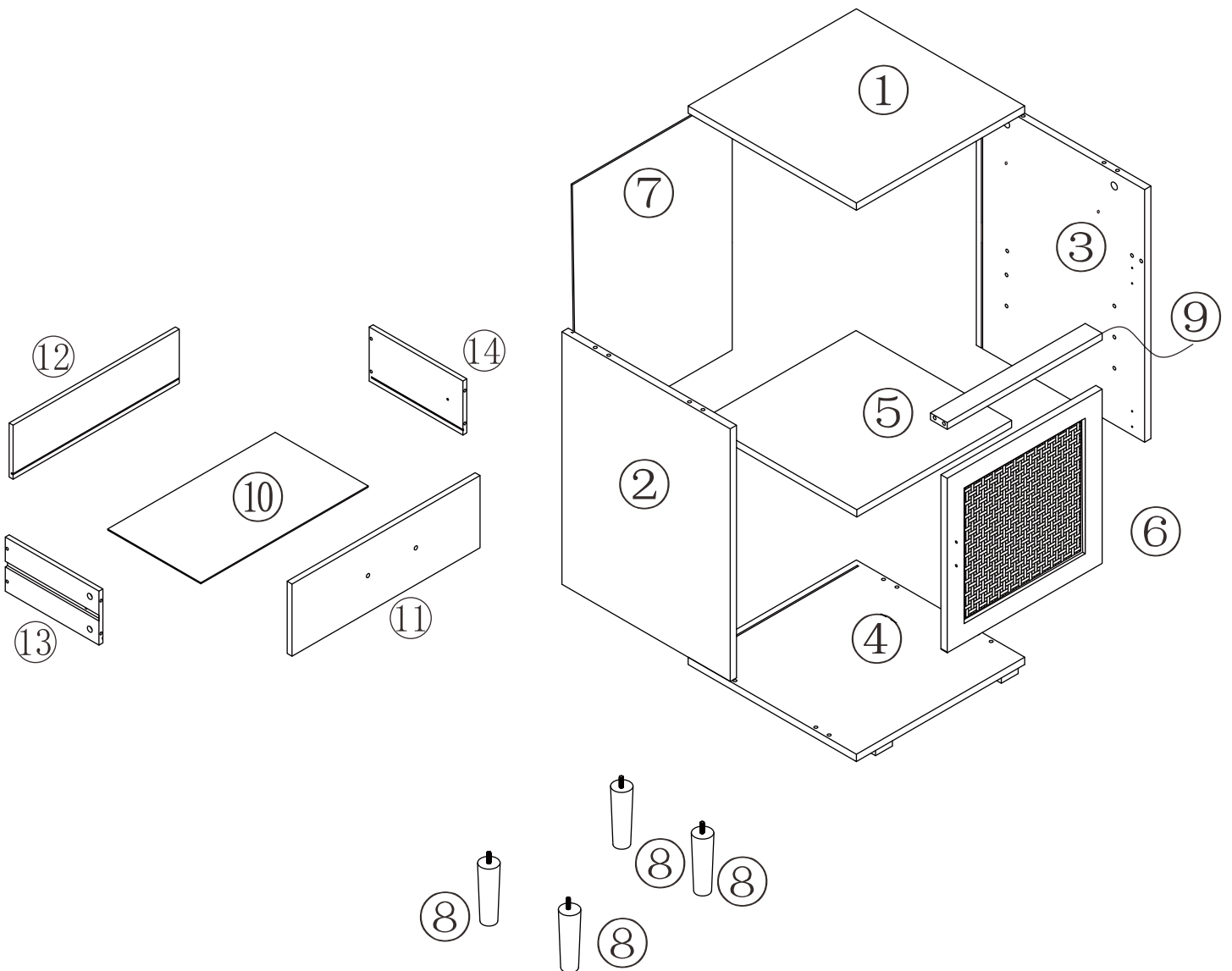
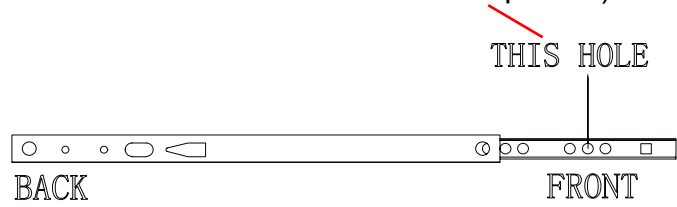
 A × 10	 B × 10	 C × 10	 D × 1	 E × 1	 3x12mm F × 13	 4x10mm G × 2
 H × 2	 4x35mm I × 8	 3x14mm J × 2	 4x25mm K × 4	 L × 2	 M × 4	 N × 2

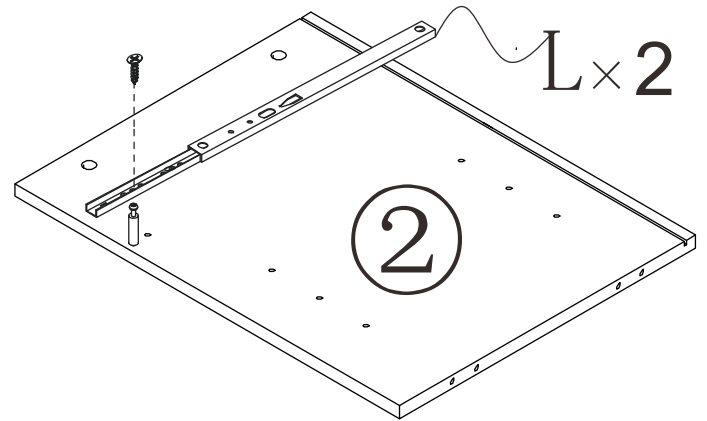
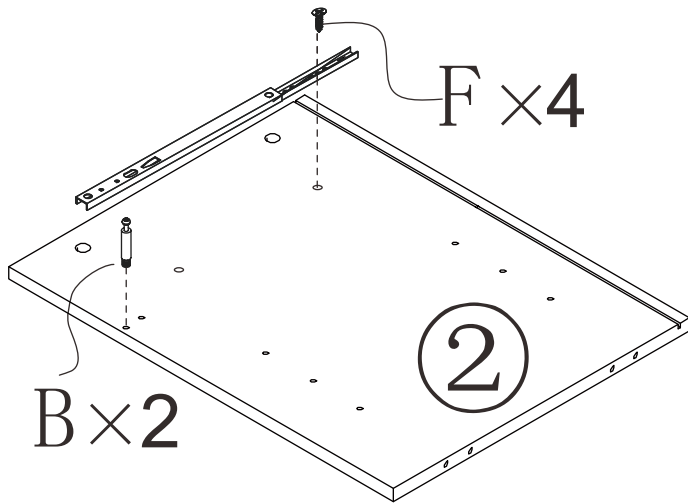
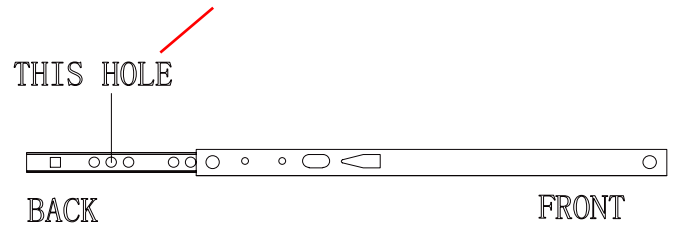


1

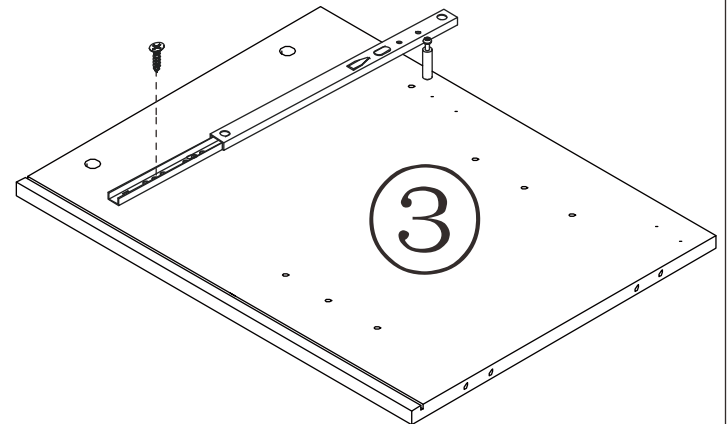
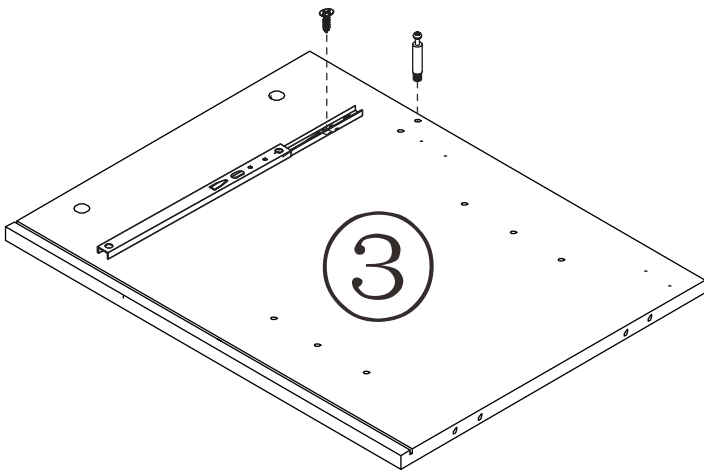
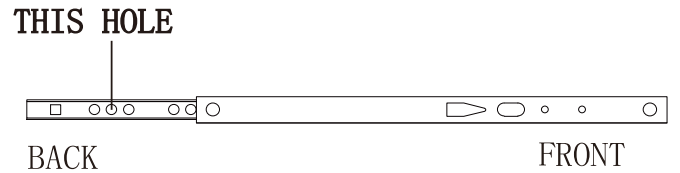
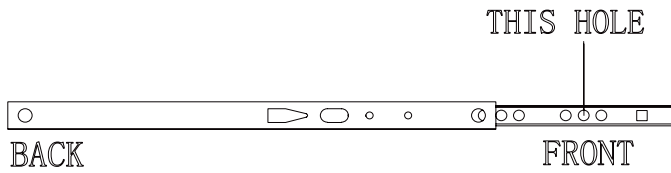
First slide the guide to left (back) and fix screw G with the front hole (please pay attention to screw it to the middle one as shown on the picture)



Then slide the guide to right (front) and fix screw G with the back hole (please pay attention to screw it to the middle one as shown on the picture)

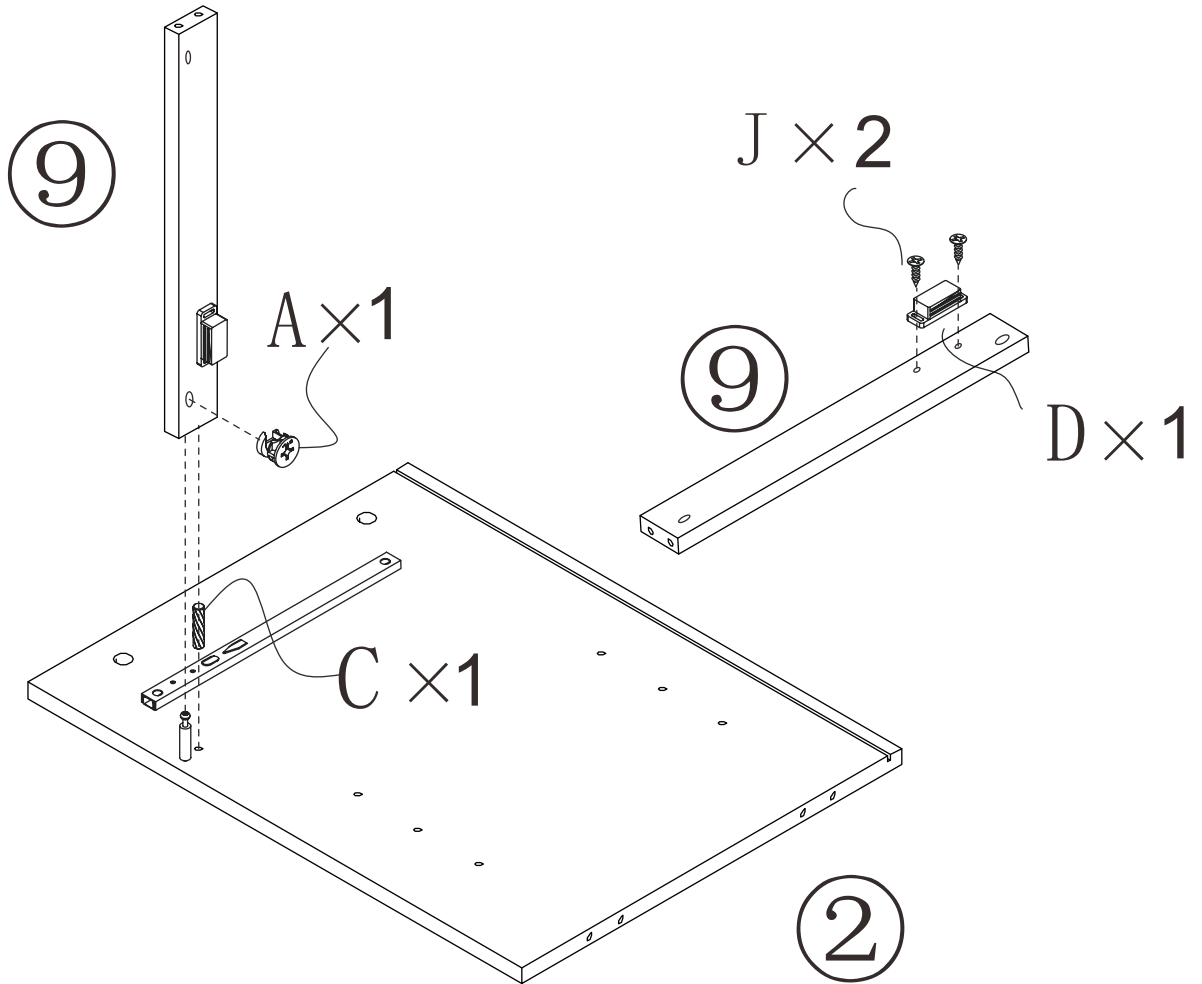
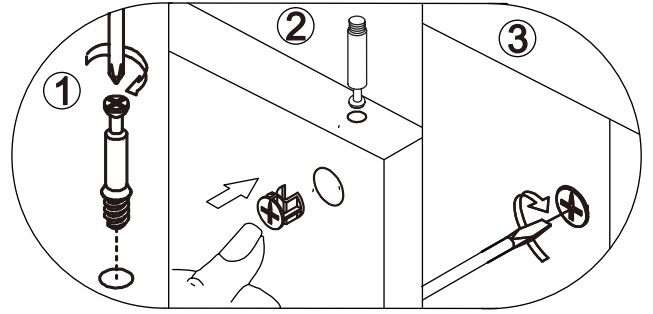


repeat the step in the part 3

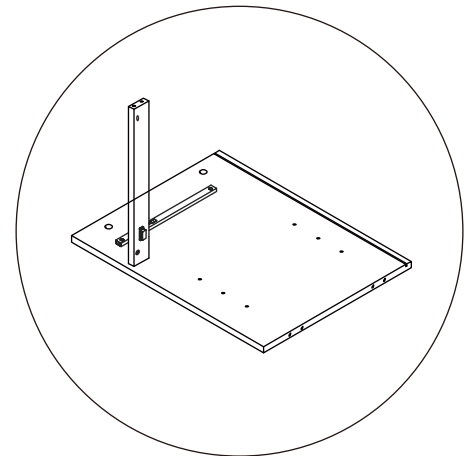


Fix hardware B to Part 2 and 3.
Fix slide guideto Part 2 and 3 with screw F.

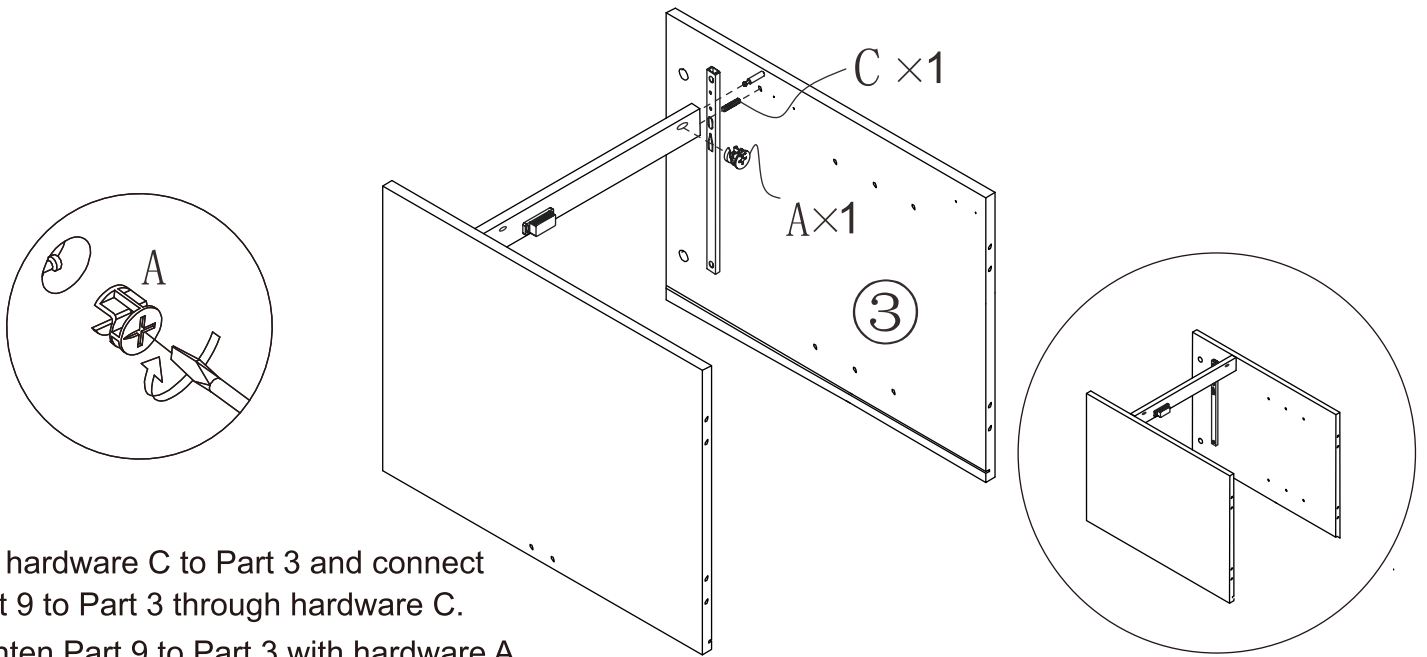
2



Fix hardware D to Part 9 with screw J.
Tighten Part 9 to Part 2 with hardware A.
Put hardware C to Part 2 and connect
Part 9 to Part 2 through hardware C.

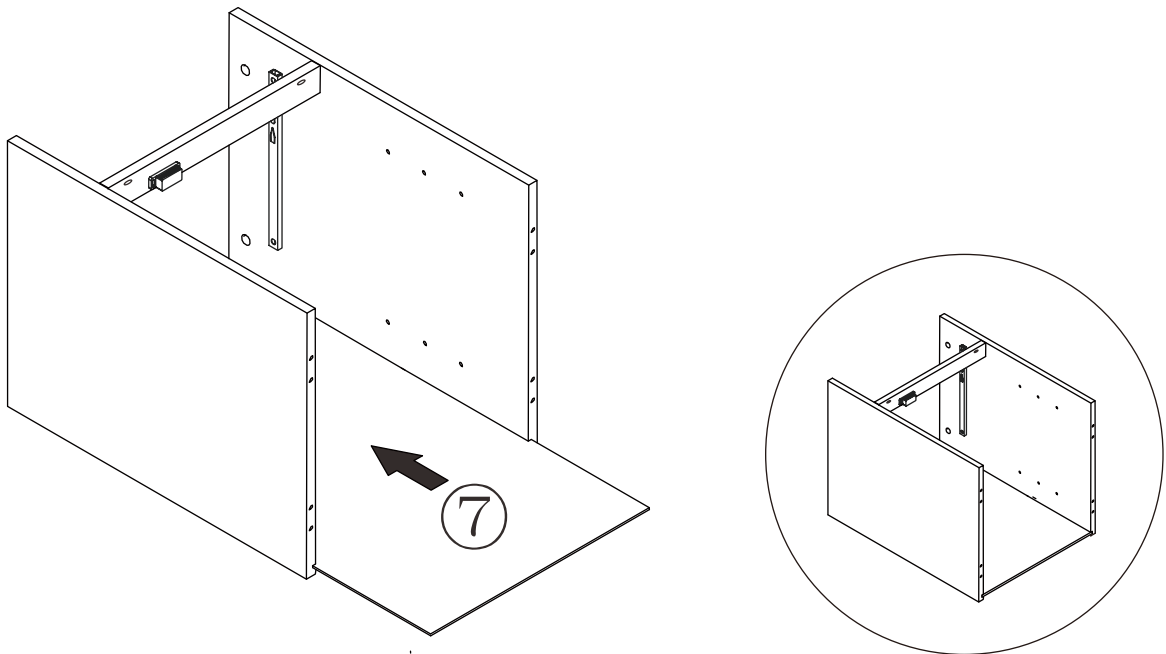


3



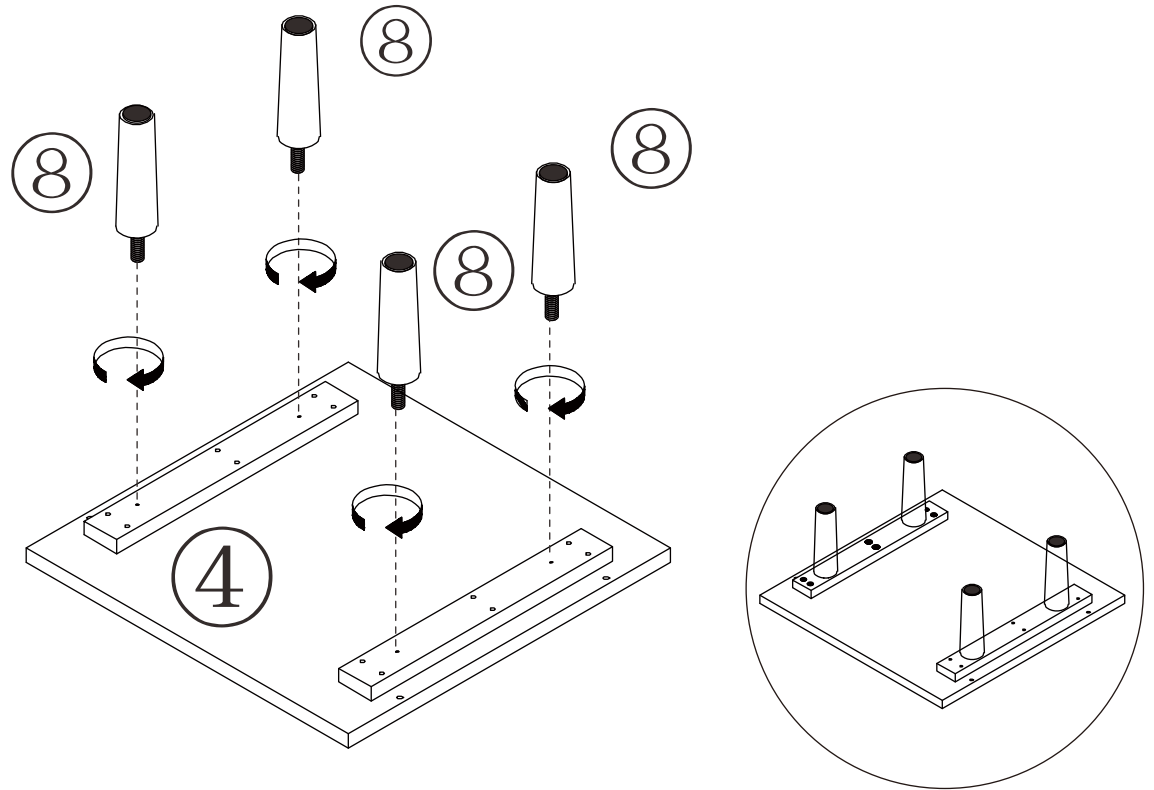
Put hardware C to Part 3 and connect Part 9 to Part 3 through hardware A. Tighten Part 9 to Part 3 with hardware A.

4



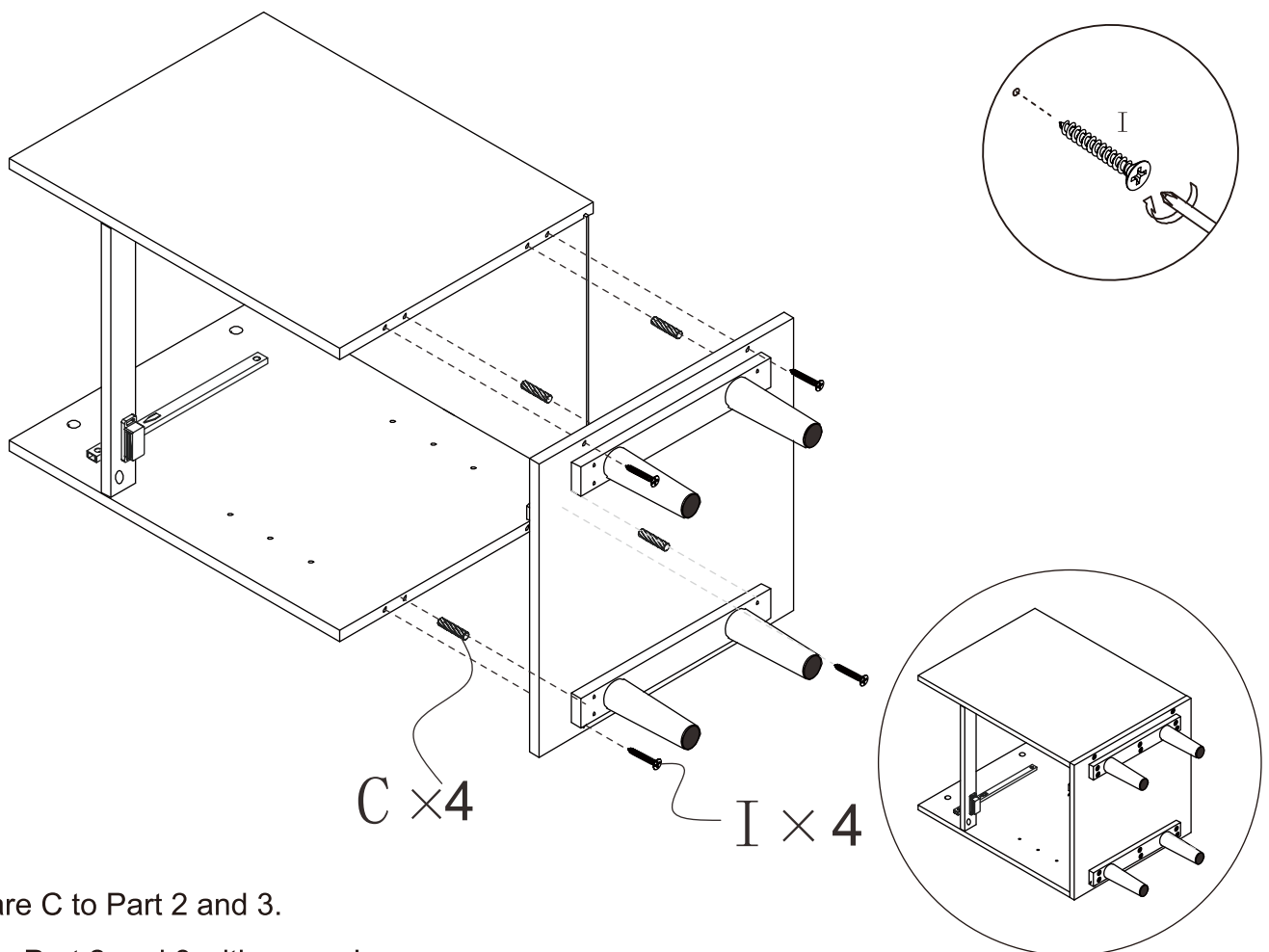
Put Part 7 to the groove of Part 2 and 3.

5



Screw Part 8 to Part 4

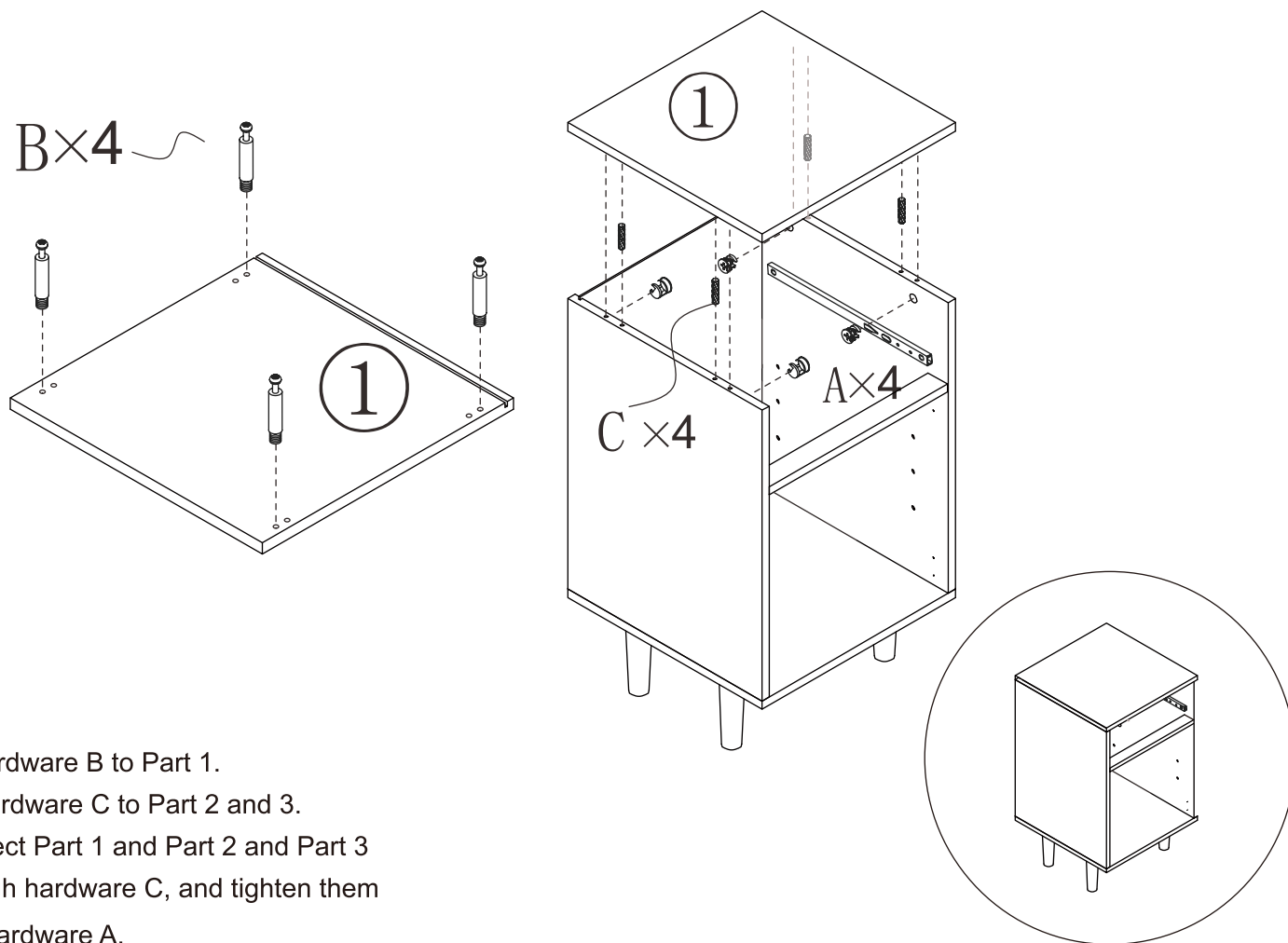
6



Put hardware C to Part 2 and 3.

Fix Part 4 to Part 2 and 3 with screw I.

7

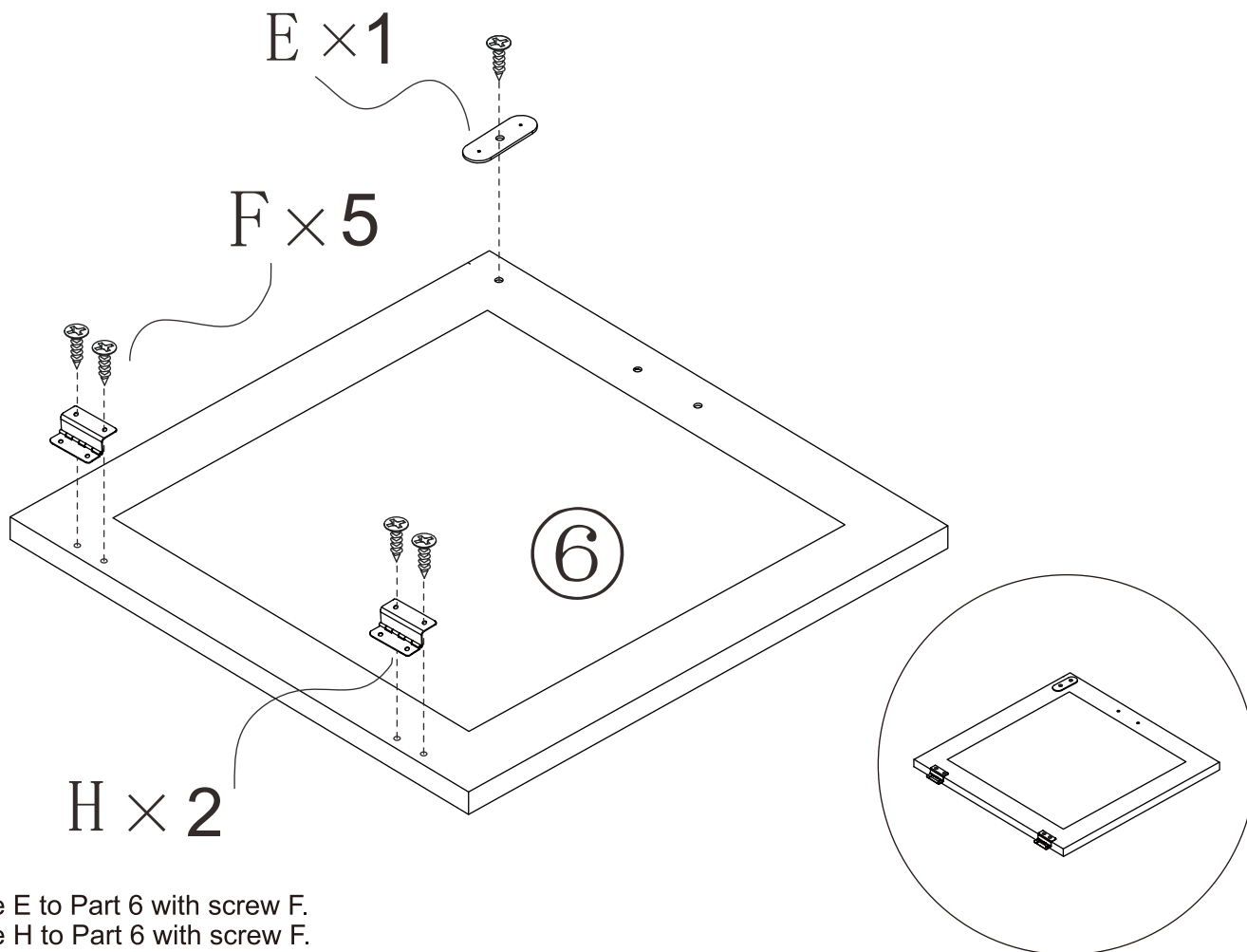


Fix hardware B to Part 1.

Put hardware C to Part 2 and 3.

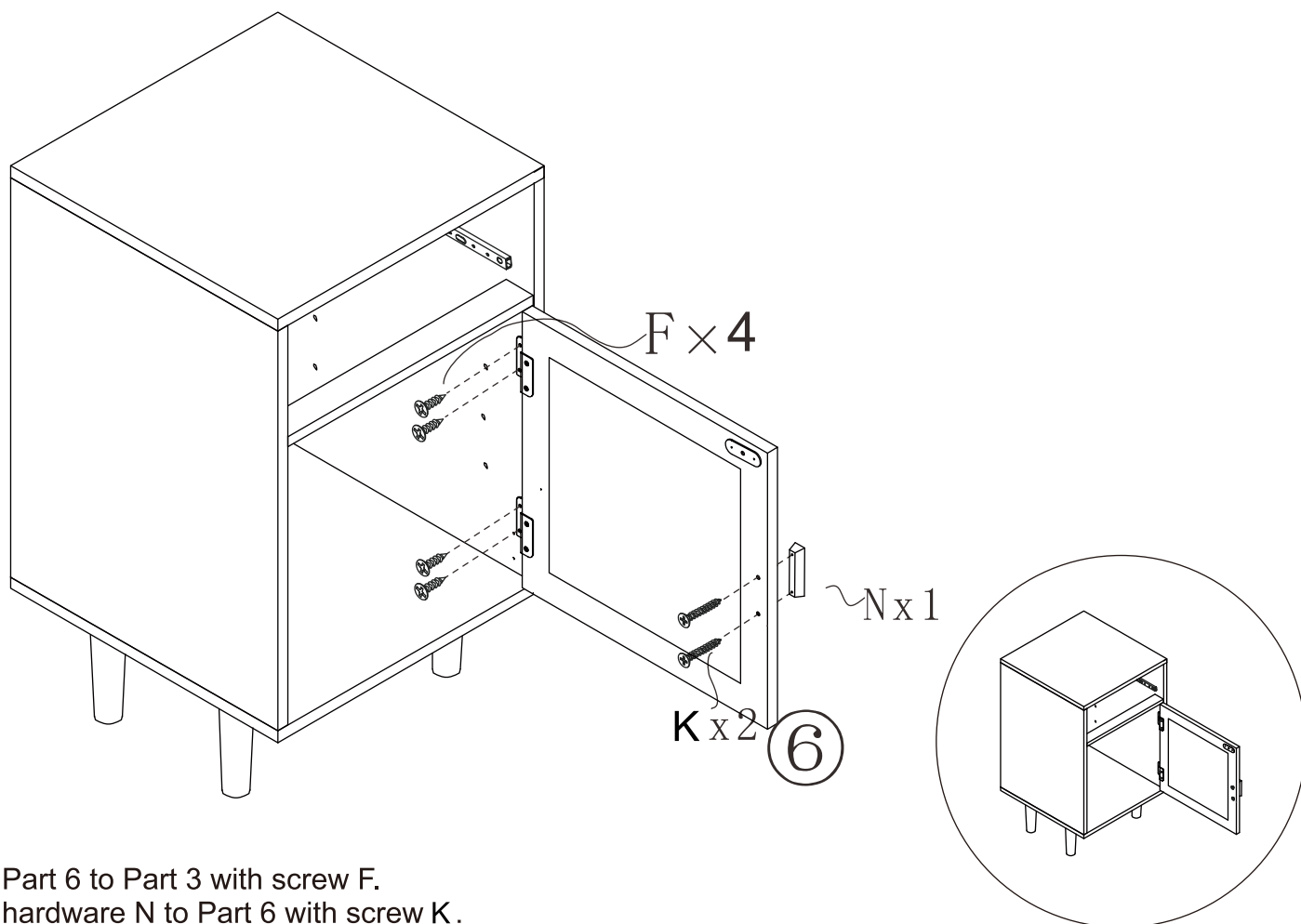
Connect Part 1 and Part 2 and Part 3 through hardware C, and tighten them with hardware A.

8



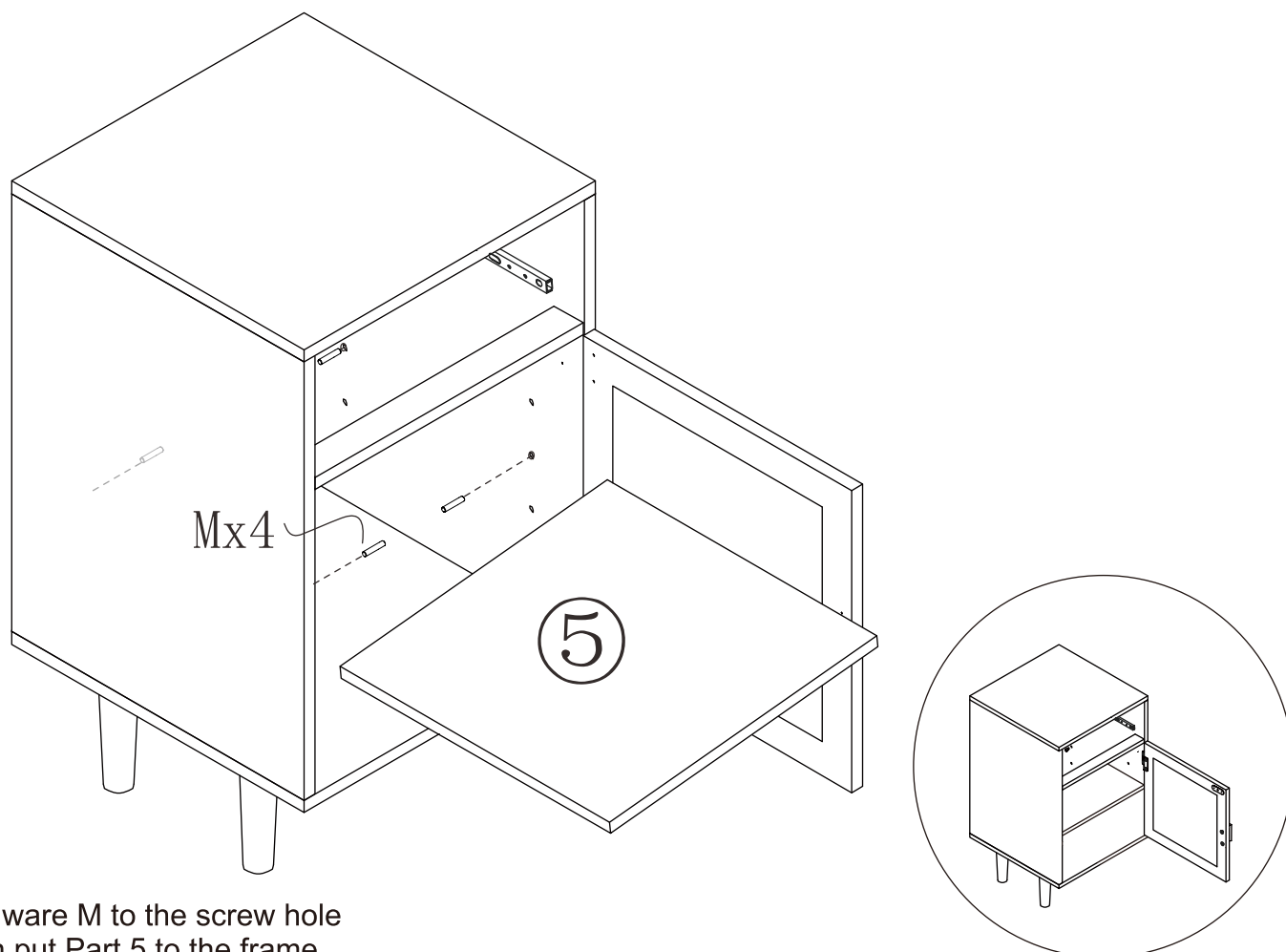
Fix hardware E to Part 6 with screw F.
Fix hardware H to Part 6 with screw F.

9



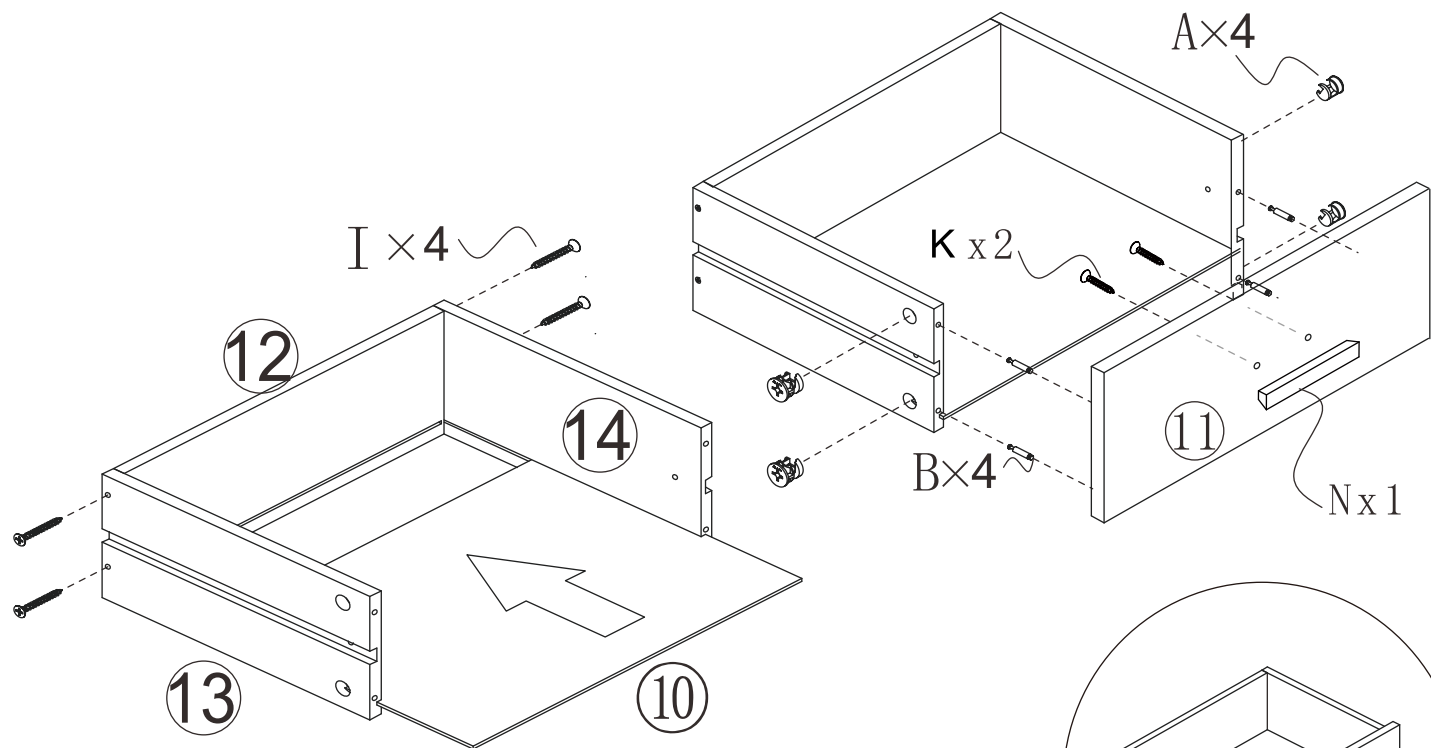
Fix Part 6 to Part 3 with screw F.
Fix hardware N to Part 6 with screw K.

10

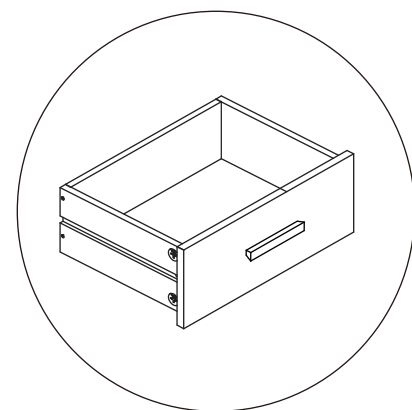


Put hardware M to the screw hole
and then put Part 5 to the frame.

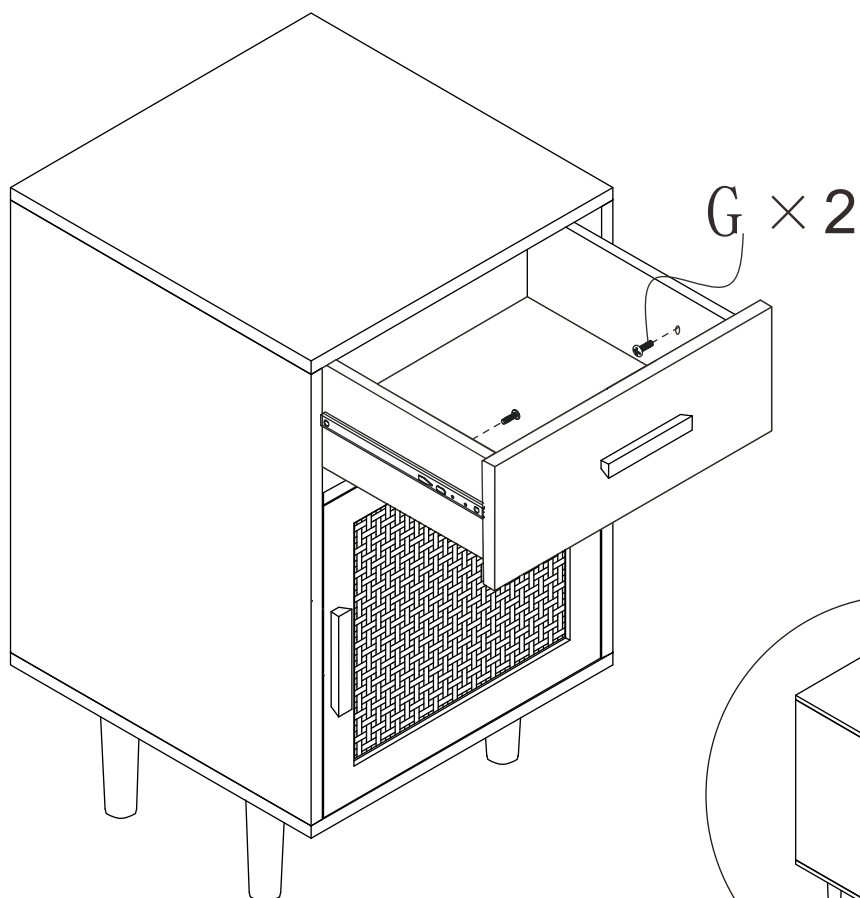
11



Fix Part 13 and 14 to Part 12 with screw I .
 Put Part 10 to the groove of Part 12,13 and 14.
 Fix hardware B to Part 11
 Fix hardware N to Part 11 with screw K.
 Connect Part 11 and Part 13 and Part 14 through
 hardware B, and tighten them with hardware A.



12



Put the drawer to the frame and
 then put hardware G to the screw hole.

