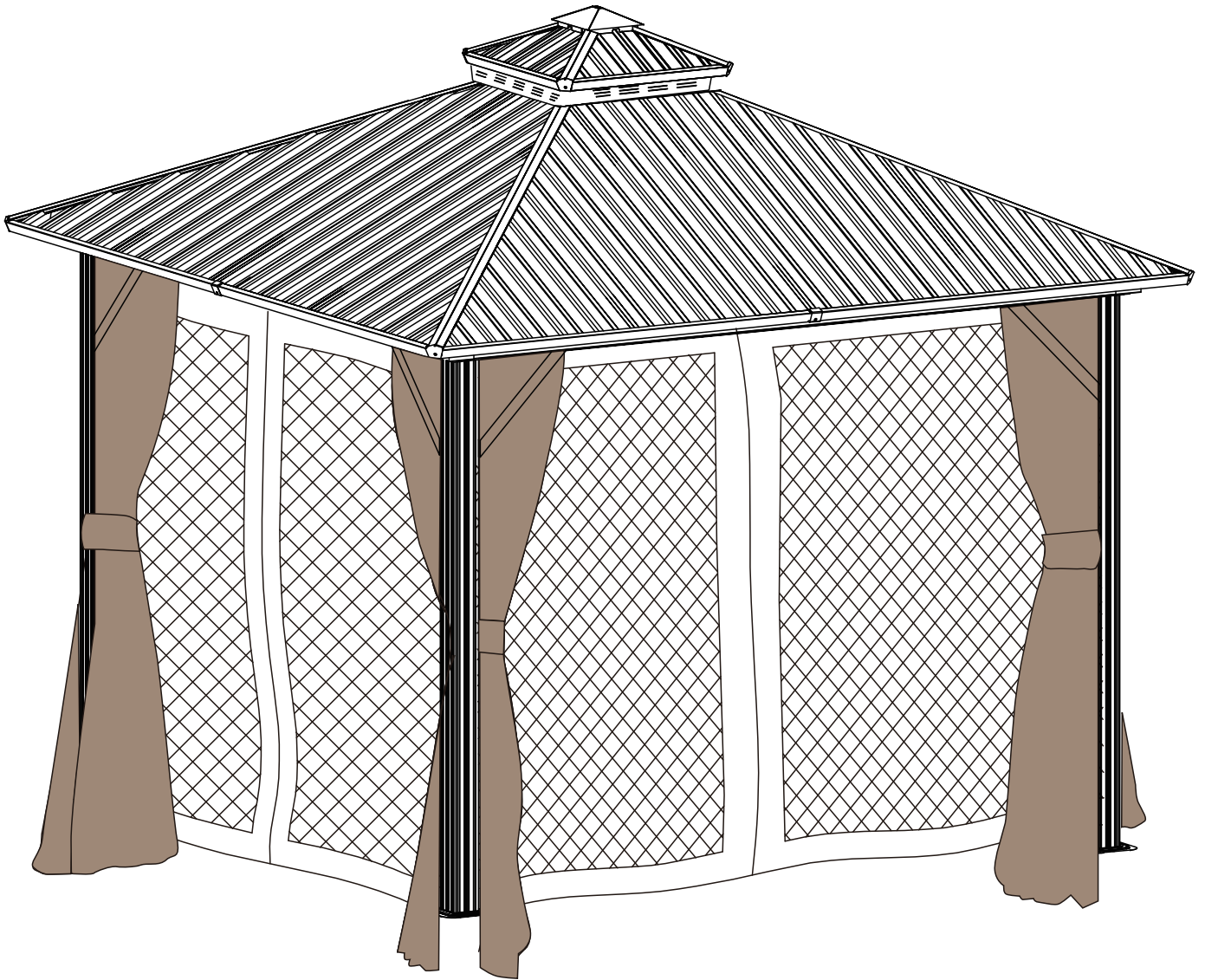


# ASSEMBLY INSTRUCTIONS

---







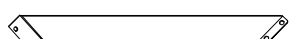
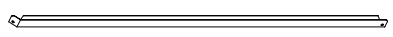
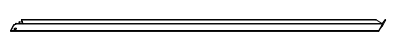


**10X10 FT DOUBLE ROOF HARD TOP GAZEBO**

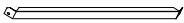
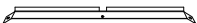
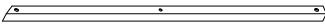



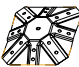



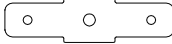




# ASSEMBLY INSTRUCTIONS







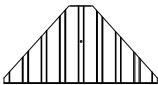
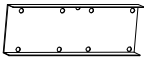

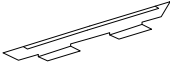
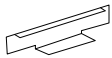




1. Two or more people are required for assembly.
2. A ladder and electric drill may be necessary.
3. Do not erect the structure in heavy winds or inclement weather.
4. Do not leave up this unit for extended periods of time, as it is not a permanent structure or designed to withstand sustained wind or rain. It is a temporary, portable shelter that shields you from sunlight and rain. The screens also block flying insects.
5. Do not use candles, matches, or any open flames near the tent.
6. To better align the screws for practical situations, do not fully tighten screws initially.
7. Professional installation is highly recommended.

Item no.	Reference Image	Qty.
A		X4
C		X4
C1		X4
D		X4
E		X4
F		X4
F1		X4
G1		X4
G2		X4






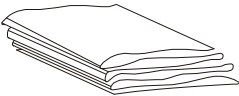
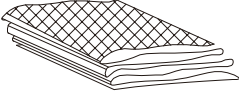
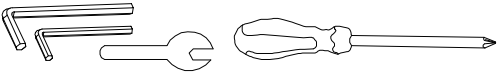

# ASSEMBLY INSTRUCTIONS

Item no.	Reference Image	Qty.
G3		X4
G4		X4
H		X8
J1		X4
J2		X4
K		X1
K1		X1
L		X4
M1		X4
M2		X8
M3		X4
M4		X4
M5		X64
M6		X4
M7		X1

# ASSEMBLY INSTRUCTIONS

Item no.	Reference Image	Qty.
01		X4
02		X4
03		X4
04		X4
05		X4
P		X4
Q		X64
R		X56
R1		X24
S	 M6X47mm	X8
T	 M6X25mm	X56
U	 M6X25mm	X8
U1	 M6X30mm	X4

# ASSEMBLY INSTRUCTIONS

Item no.	Reference Image	Qty.
V	 <p>M6X15mm</p>	X108
W	 <p>M6X50mm</p>	X4
X	 <p>M6X10mm</p>	X32
Y	 <p>M5X10mm</p>	X56
Z2		X4
	 <p>Curtain</p>	X1
	 <p>Netting</p>	X1
	 <p>Assembly tools</p>	X1
	 <p>Tent peg</p>	X12

# ASSEMBLY INSTRUCTIONS

1

X4



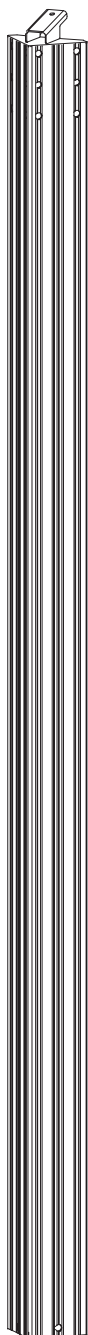
Ⓐ 4pcs



Ⓘ 4pcs



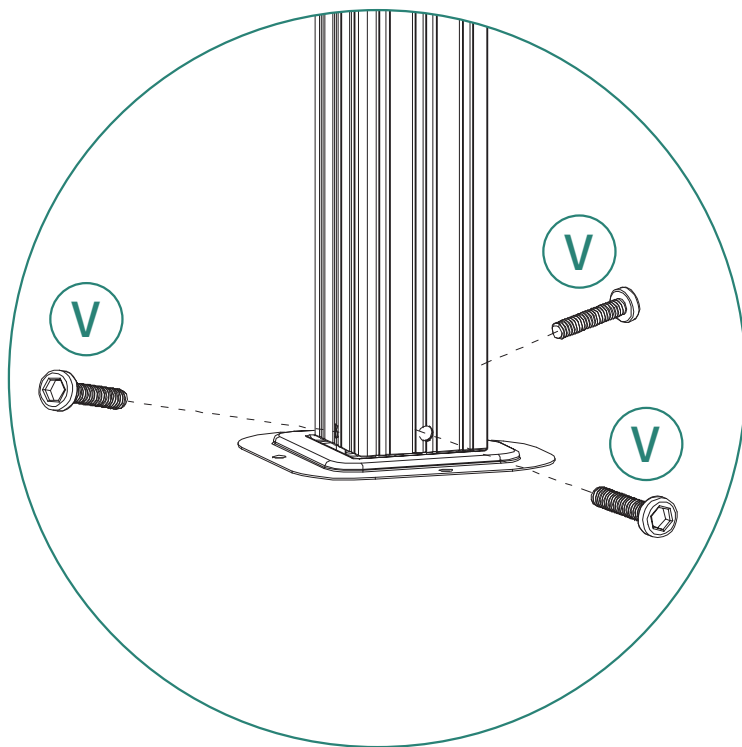
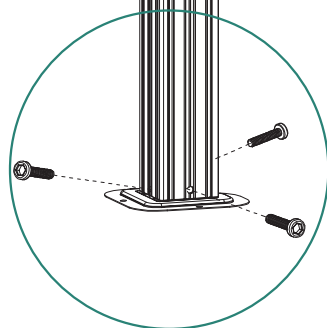
Ⓥ 12pcs



Ⓐ



Ⓘ



# ASSEMBLY INSTRUCTIONS

2

X4



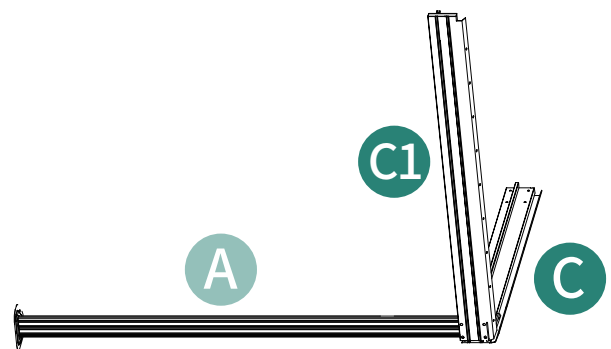
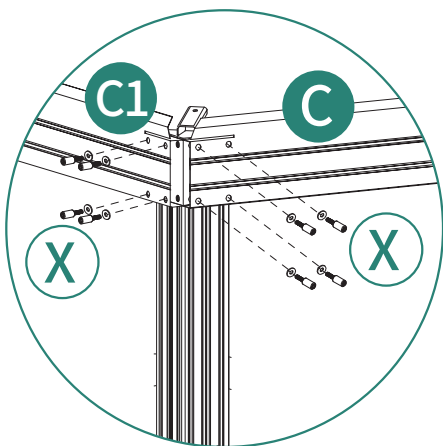
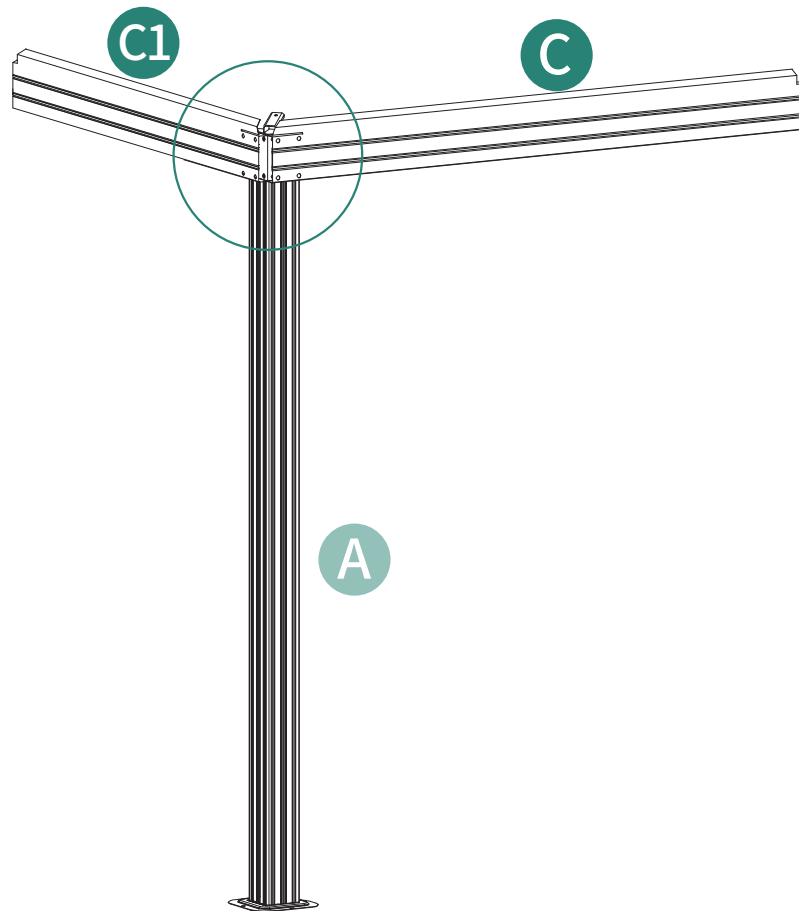
Ⓢ4pcs



Ⓢ14pcs



ⓧ32pcs

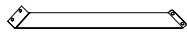


Put part A down

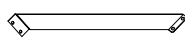
# ASSEMBLY INSTRUCTIONS

**3**

**X4**



ⓕ4pcs

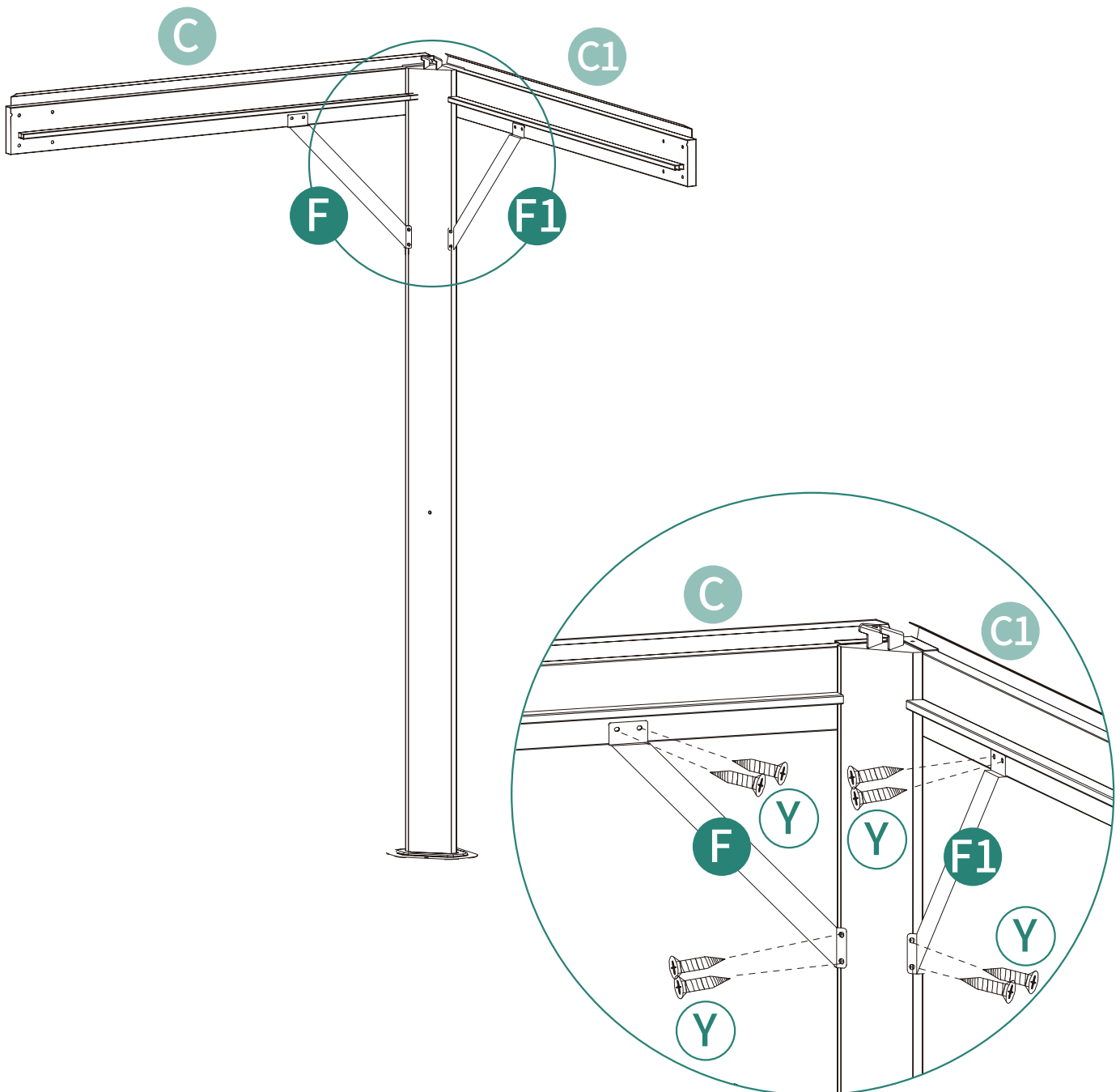


ⓕ14pcs

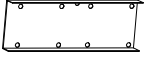



Ⓨ32pcs

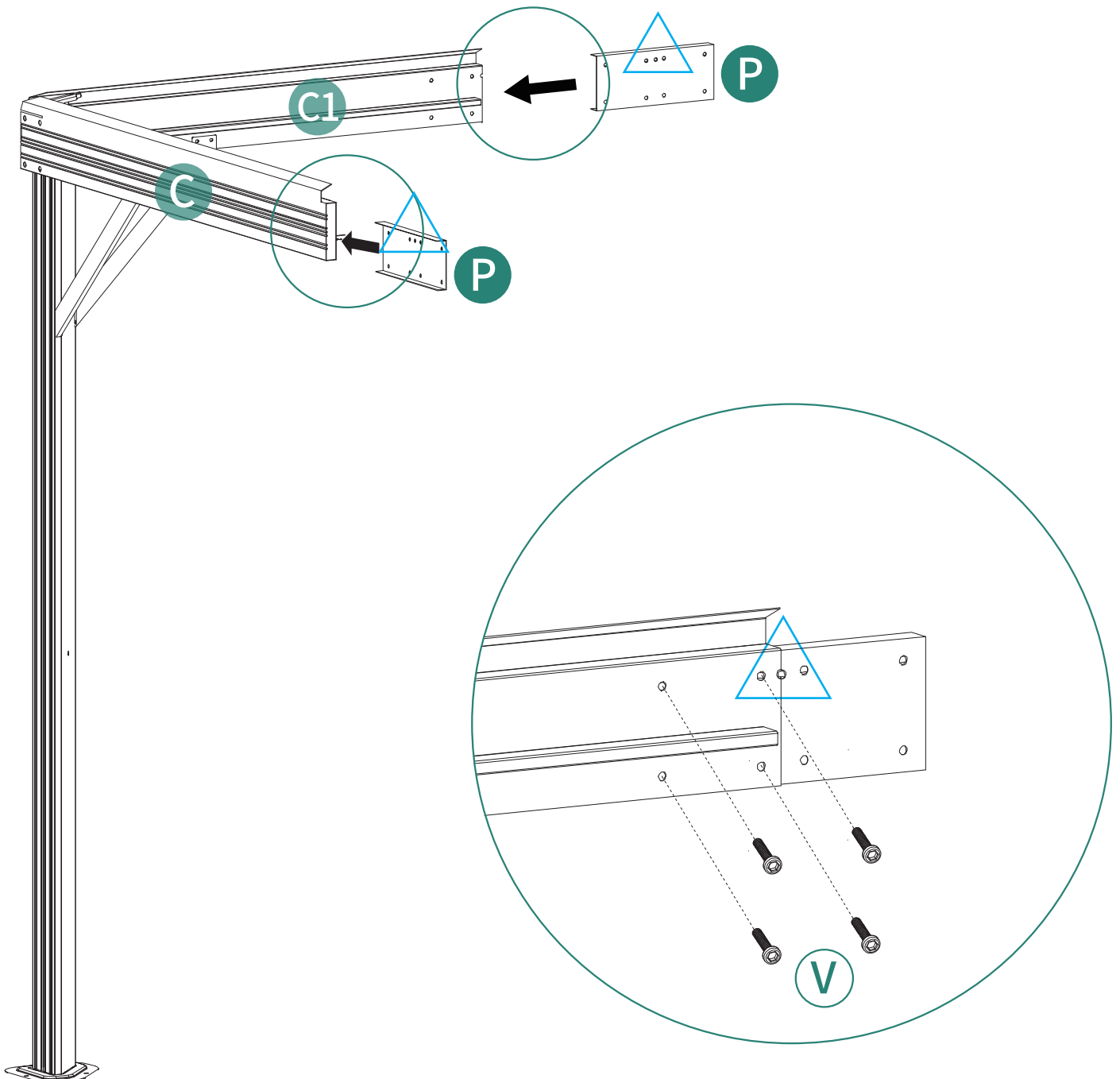
Adjust parts C or C1 if parts do not align correctly.




# ASSEMBLY INSTRUCTIONS

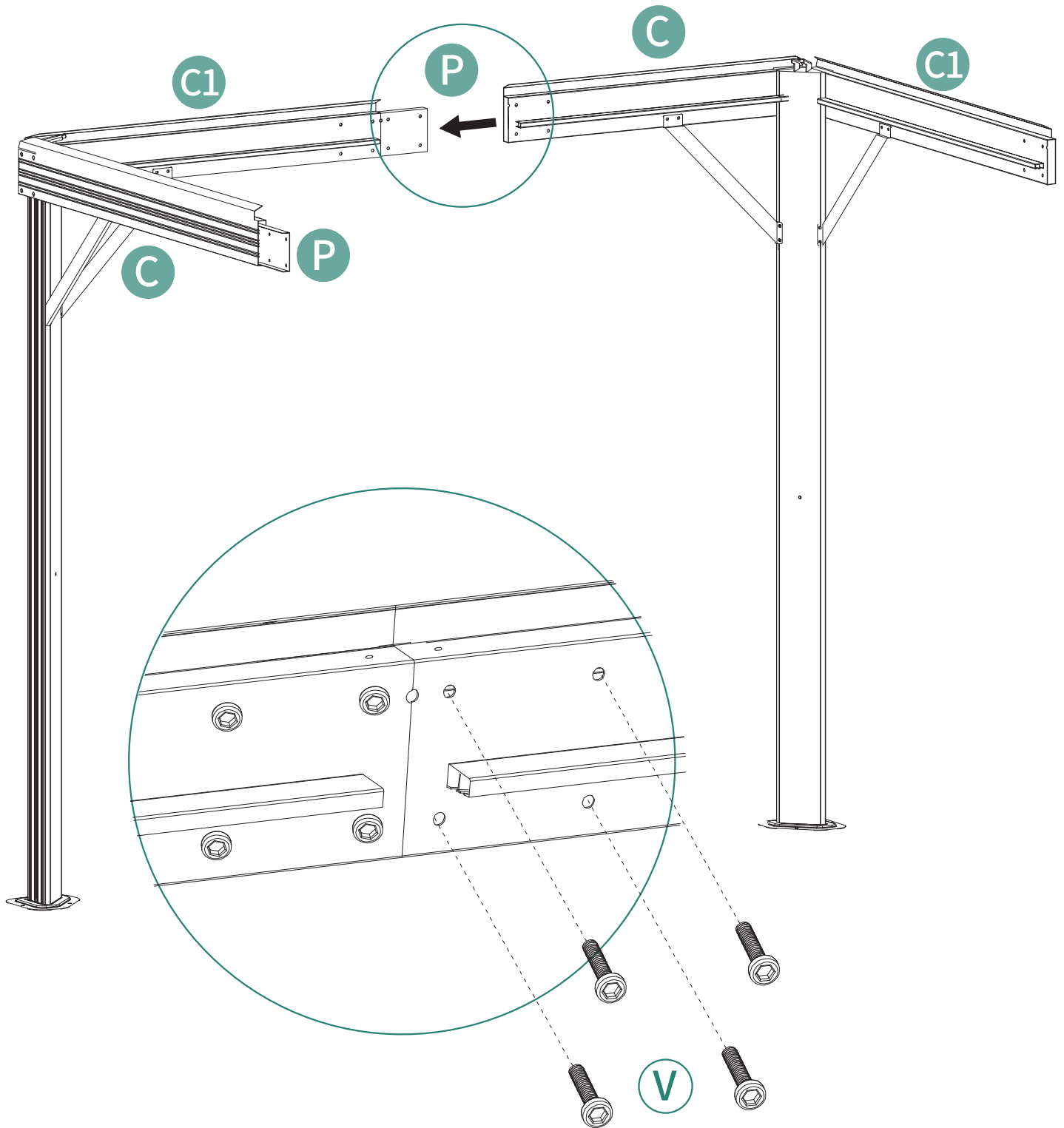
<b>4</b>		
	<b>X2</b>	<b>Ⓟ4pcs</b>

Pay special attention to the positions marked by triangles in the picture below.



# ASSEMBLY INSTRUCTIONS

<b>5</b>	
<b>X2</b>	<b>V</b> 8pcs

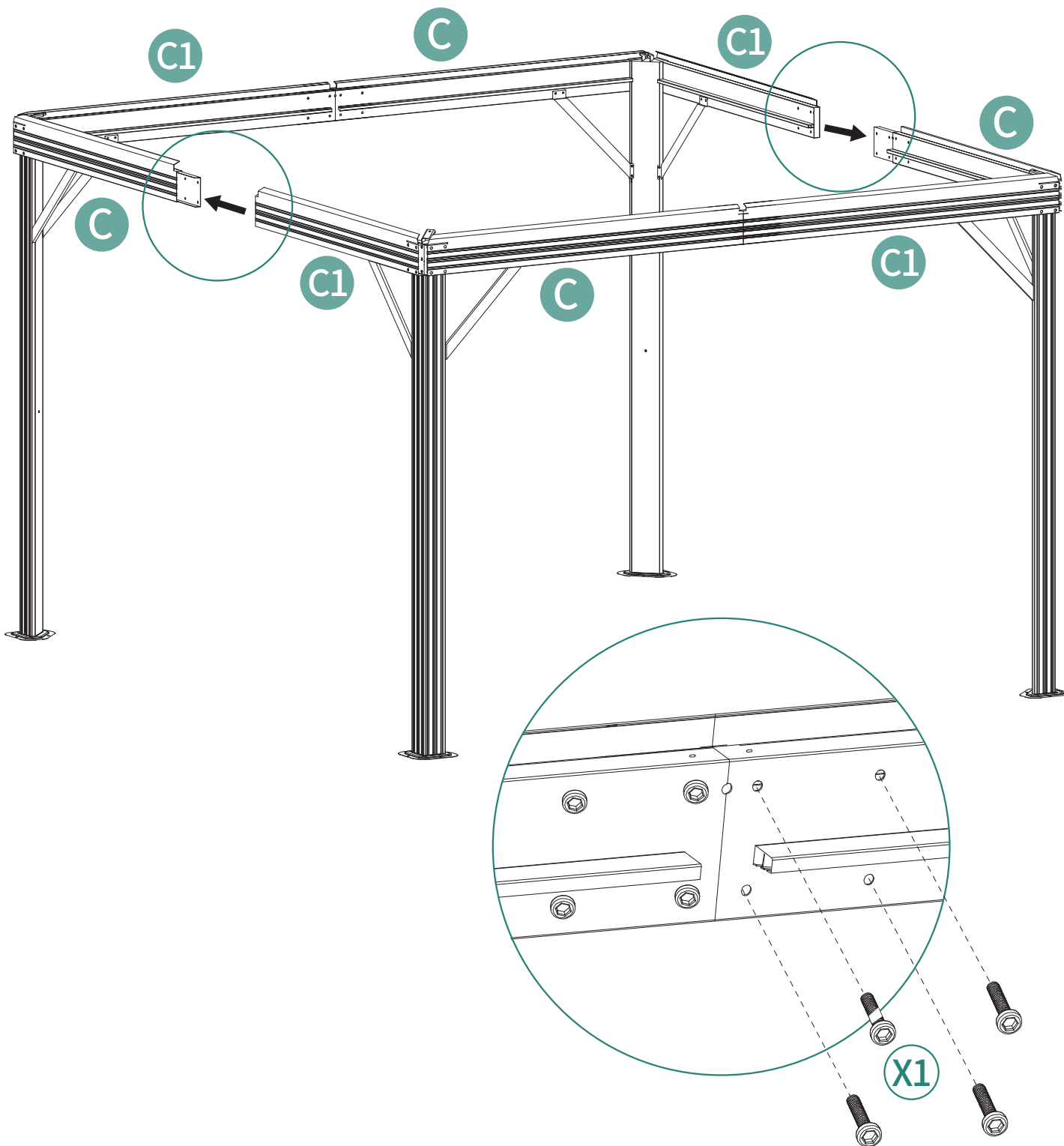


# ASSEMBLY INSTRUCTIONS

6



Ⓟ8pcs

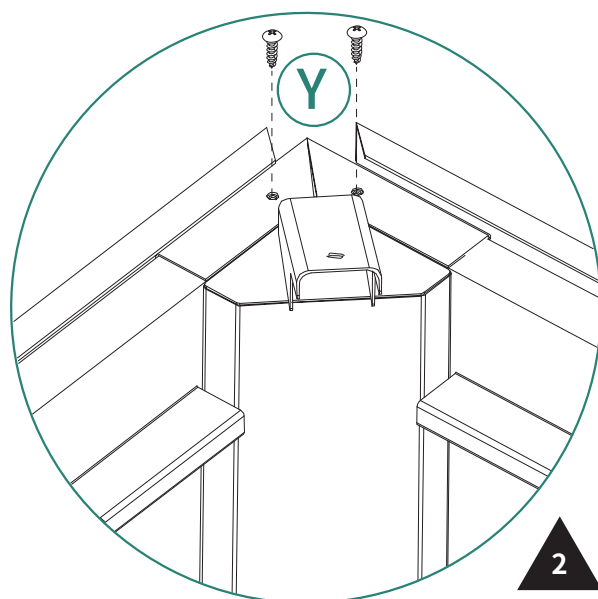
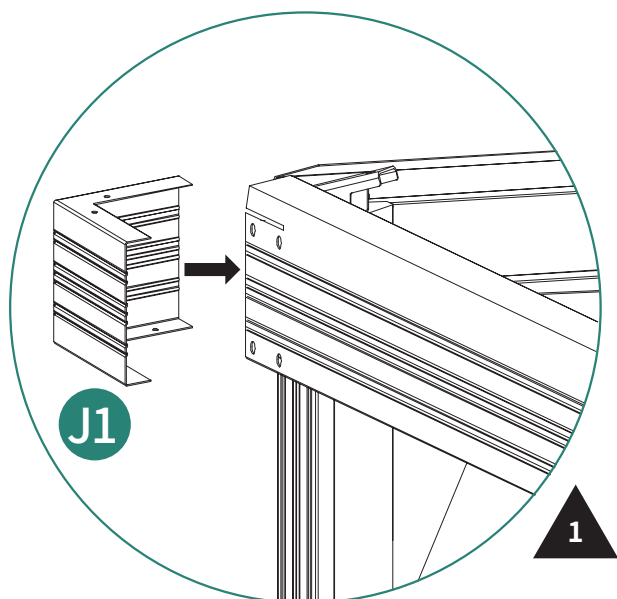
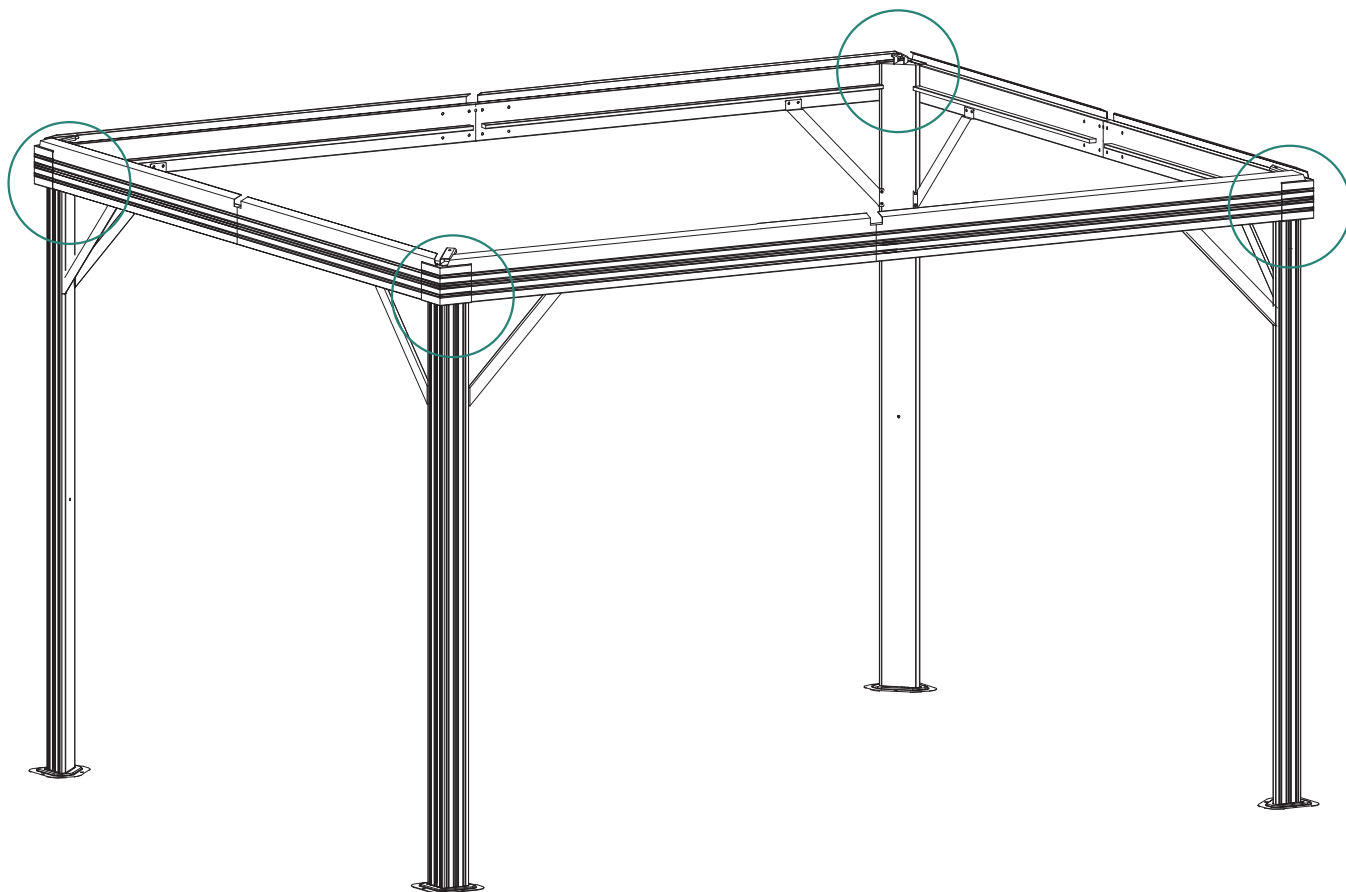


# ASSEMBLY INSTRUCTIONS

7

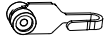


J1 4pcs Y 8pcs

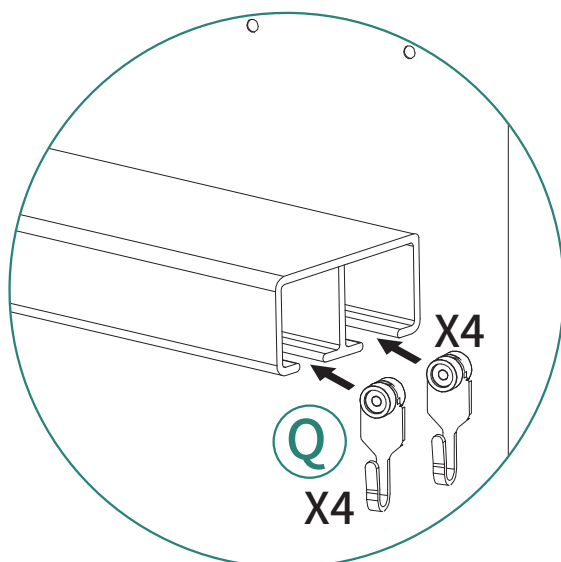
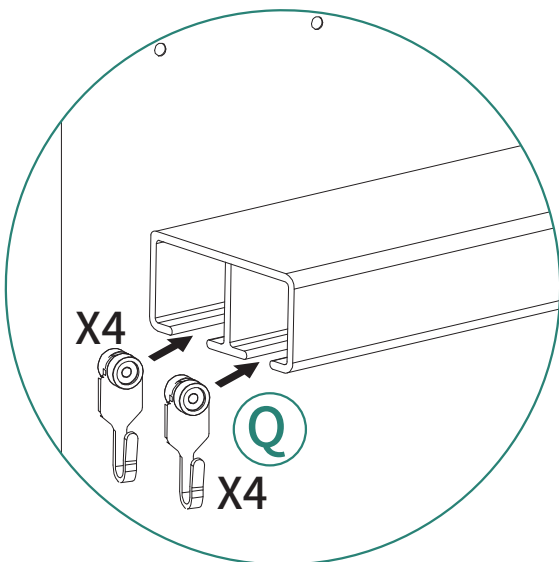
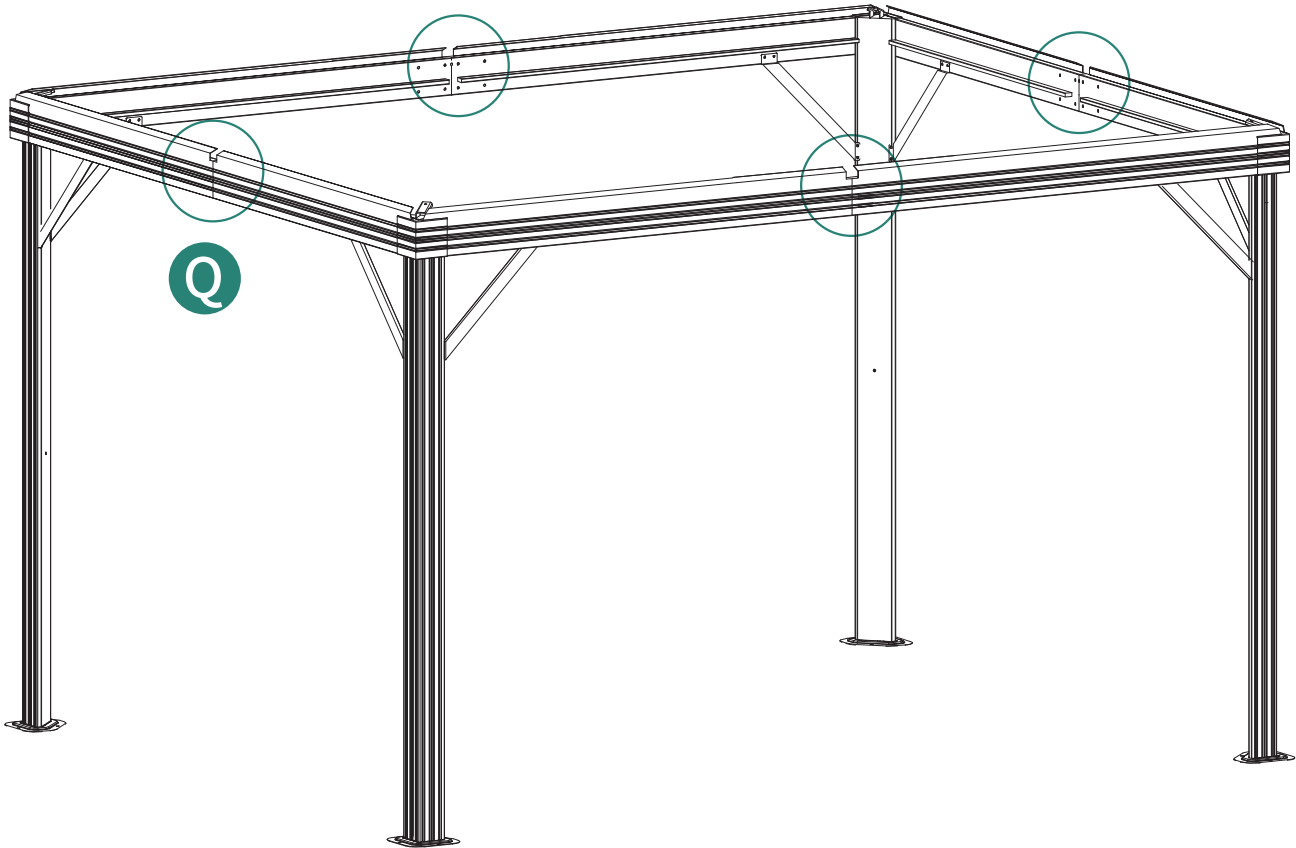


# ASSEMBLY INSTRUCTIONS

8



Q64pcs



# ASSEMBLY INSTRUCTIONS

9



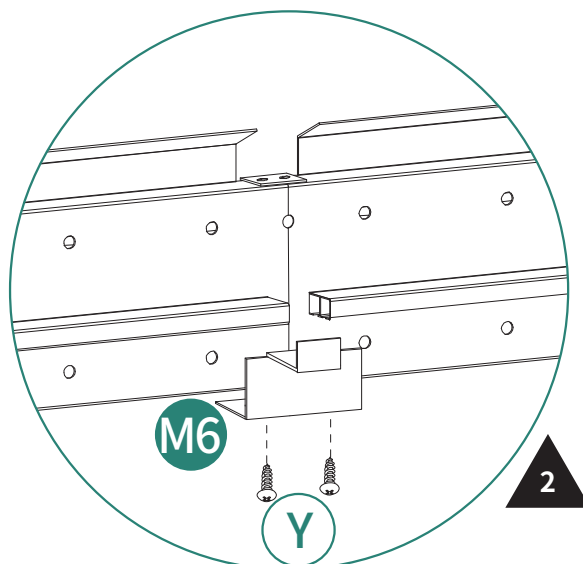
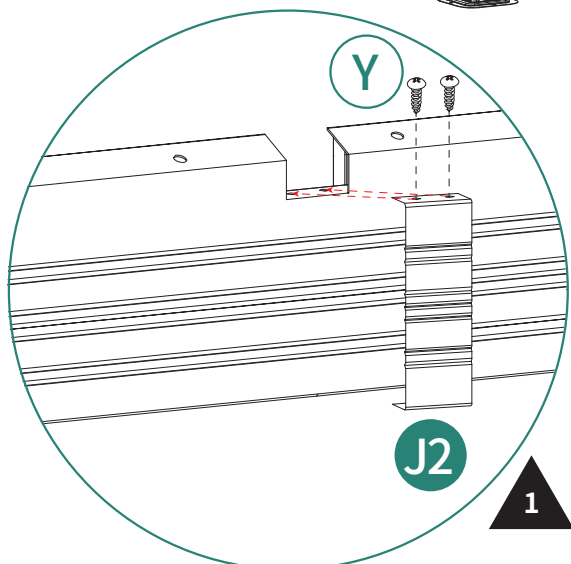
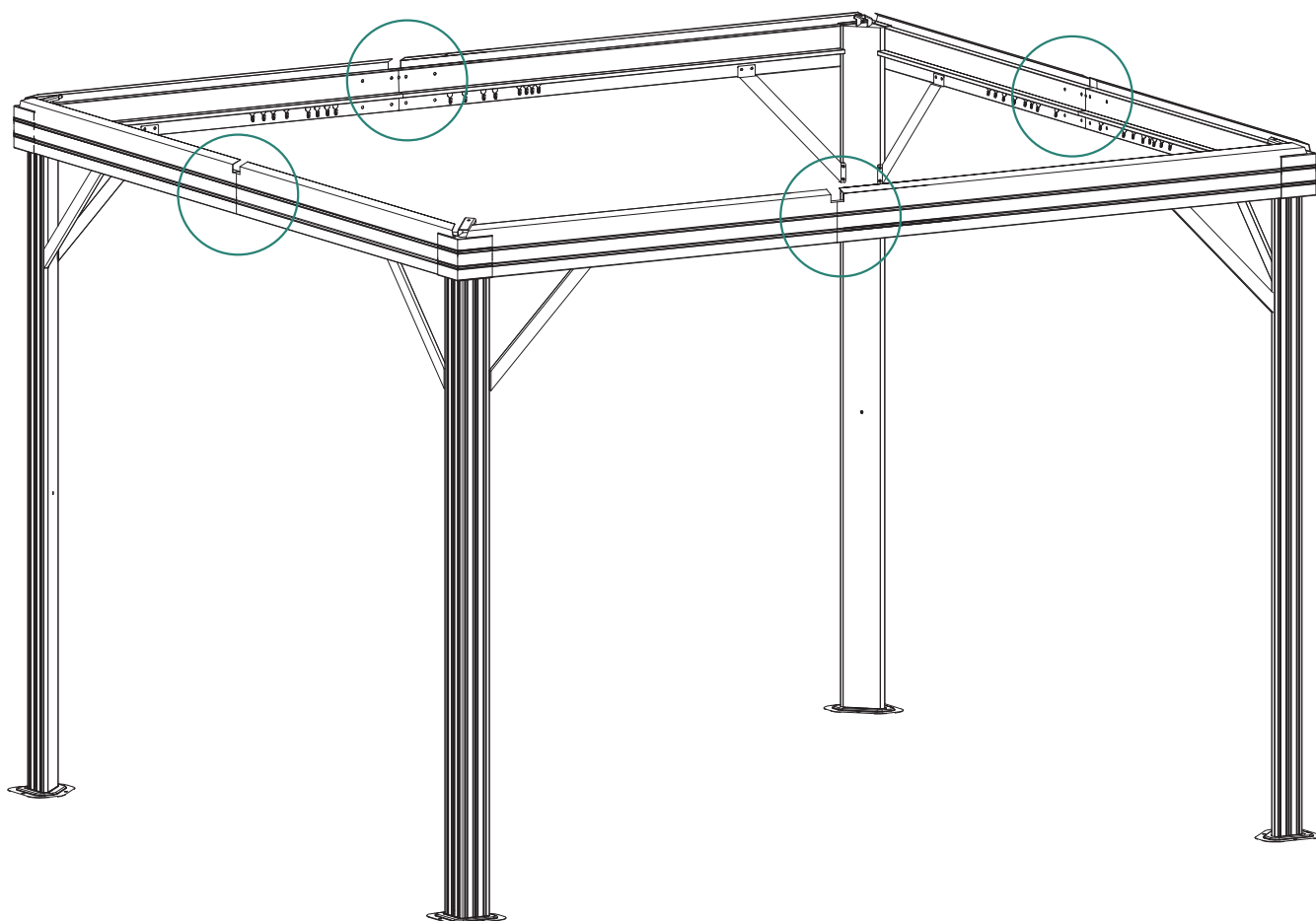
J2 4pcs



M6 4pcs



Y 16pcs



# ASSEMBLY INSTRUCTIONS

# 10



ⓓ4pcs

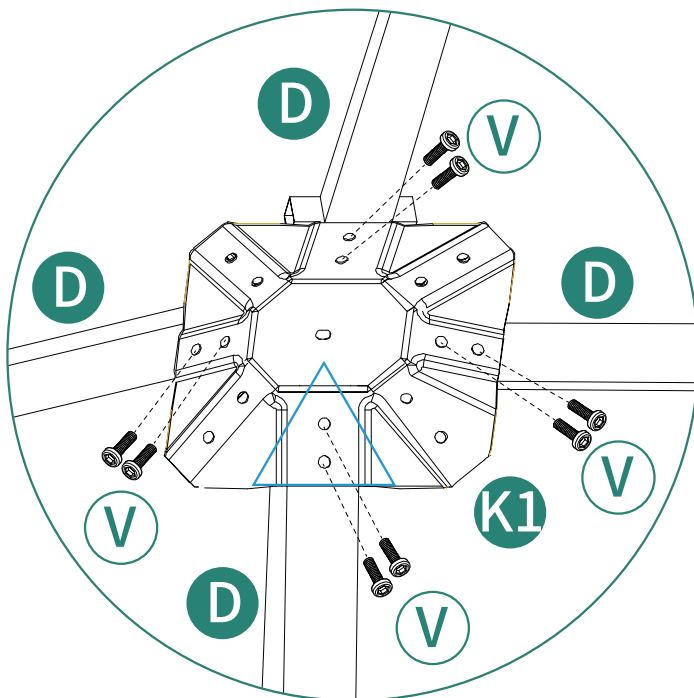
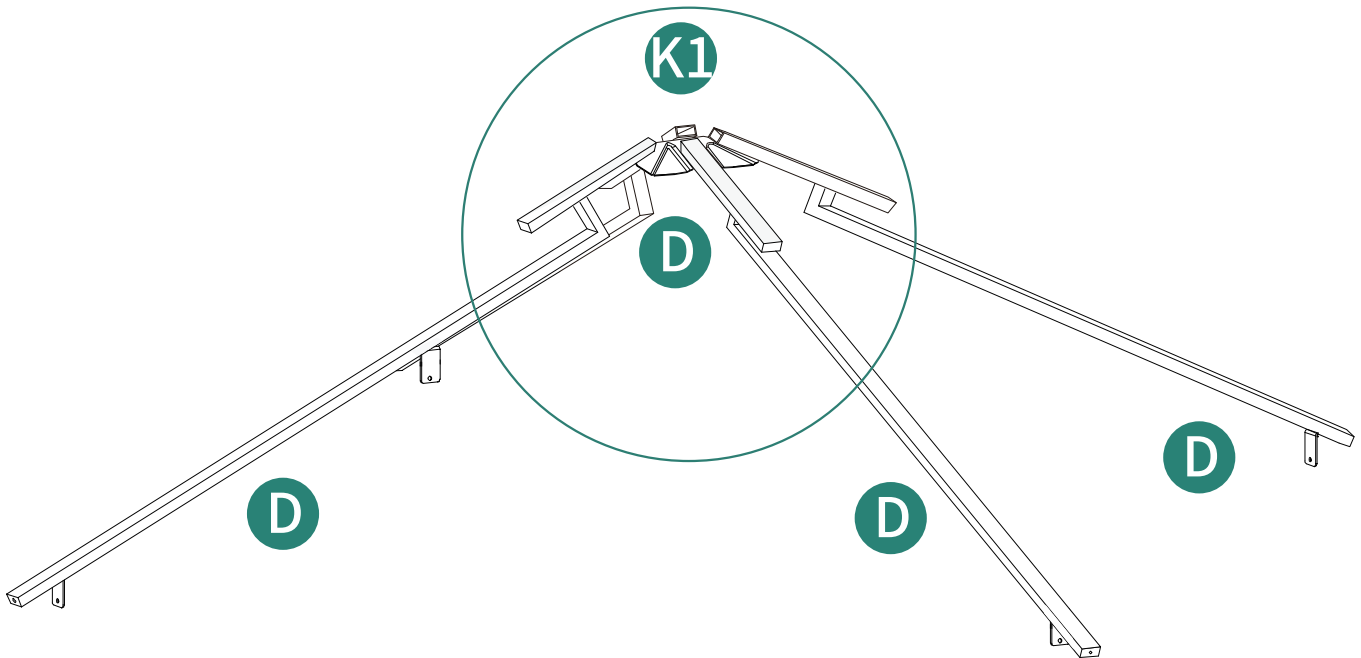


Ⓚ11pc



Ⓥ8pcs

Part D should be assembled onto K1 at the location marked by triangle.

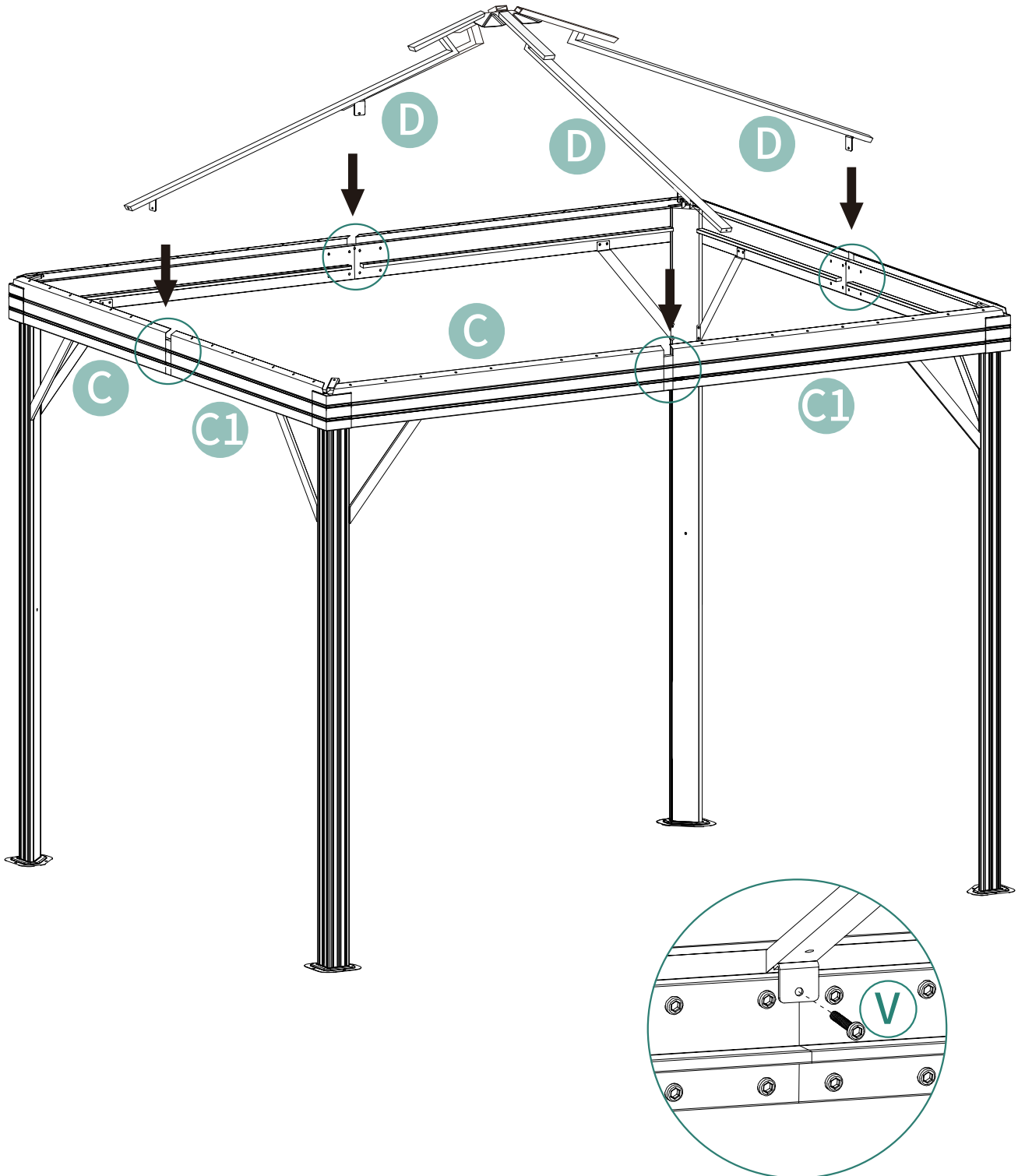


# ASSEMBLY INSTRUCTIONS

11



Ⓥ4pcs



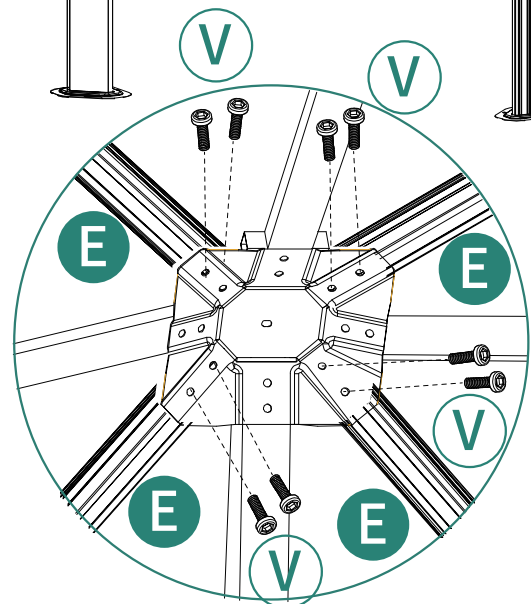
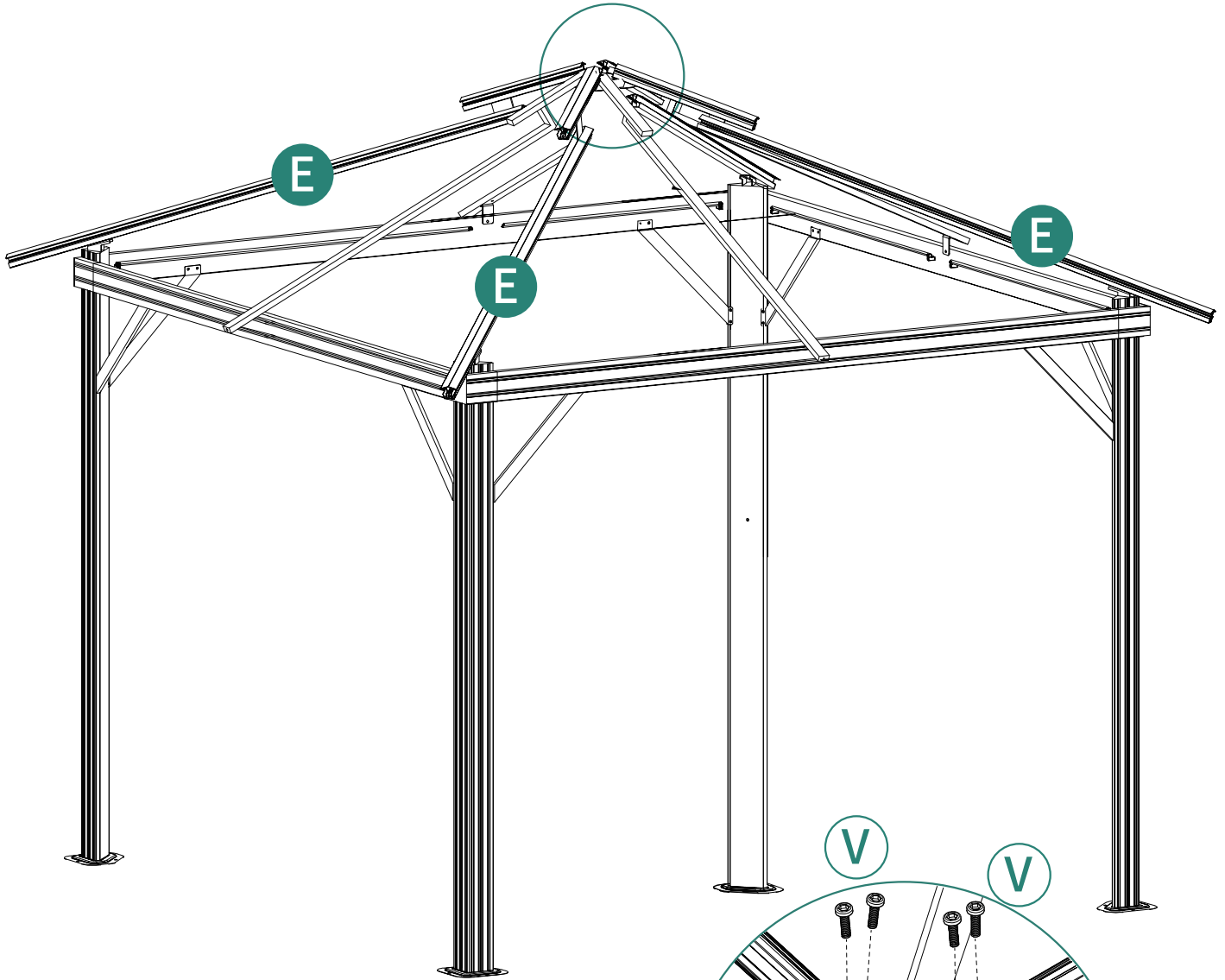
# ASSEMBLY INSTRUCTIONS

12



ⓔ4pcs

Ⓥ8pcs

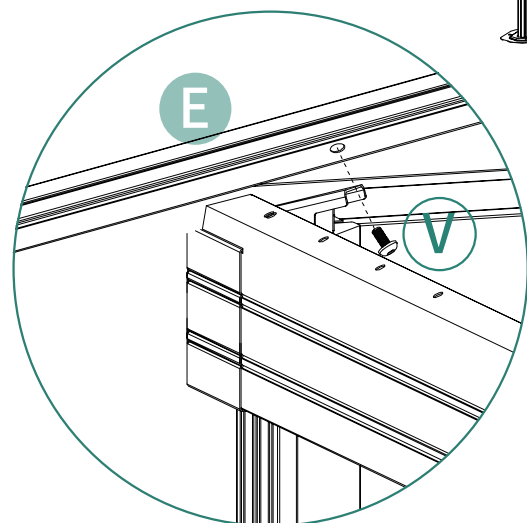
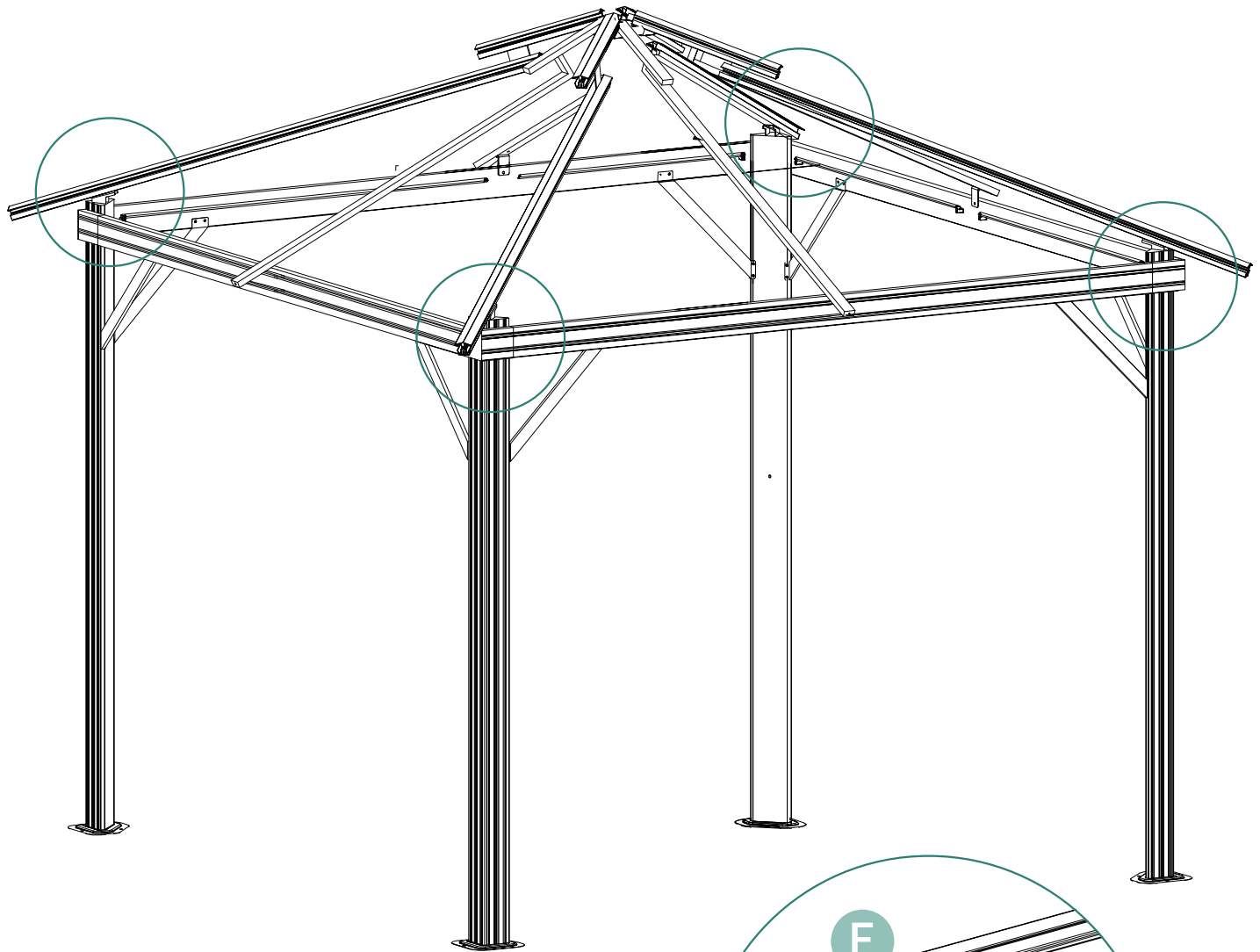


# ASSEMBLY INSTRUCTIONS

13



Ⓥ4pcs



# ASSEMBLY INSTRUCTIONS

14

X4



Ⓜ H 8pcs

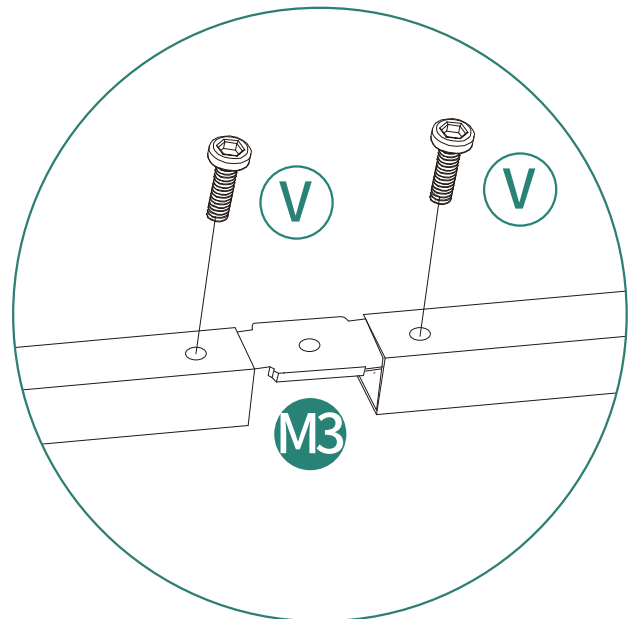
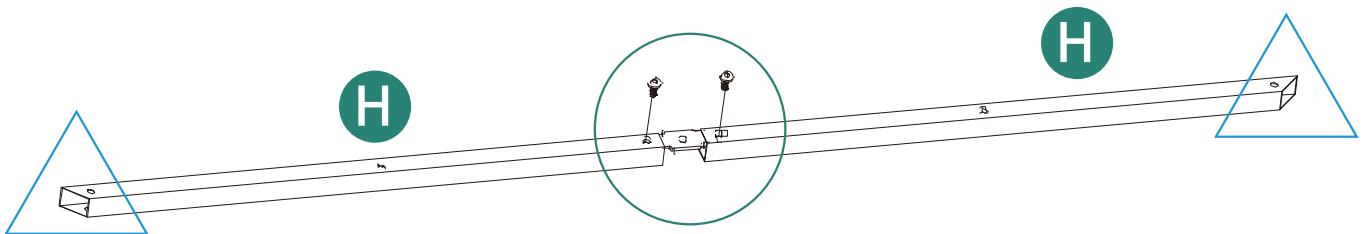
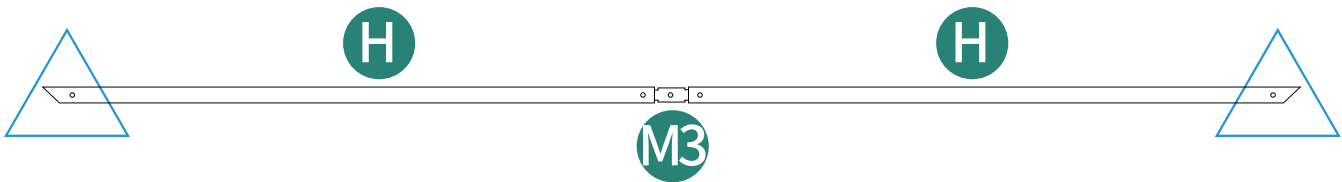


Ⓜ M3 4pcs

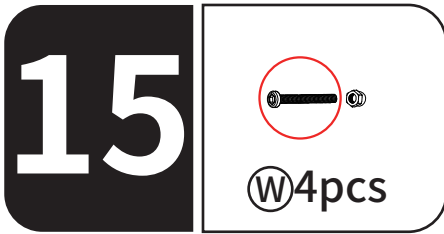


Ⓜ V 8pcs

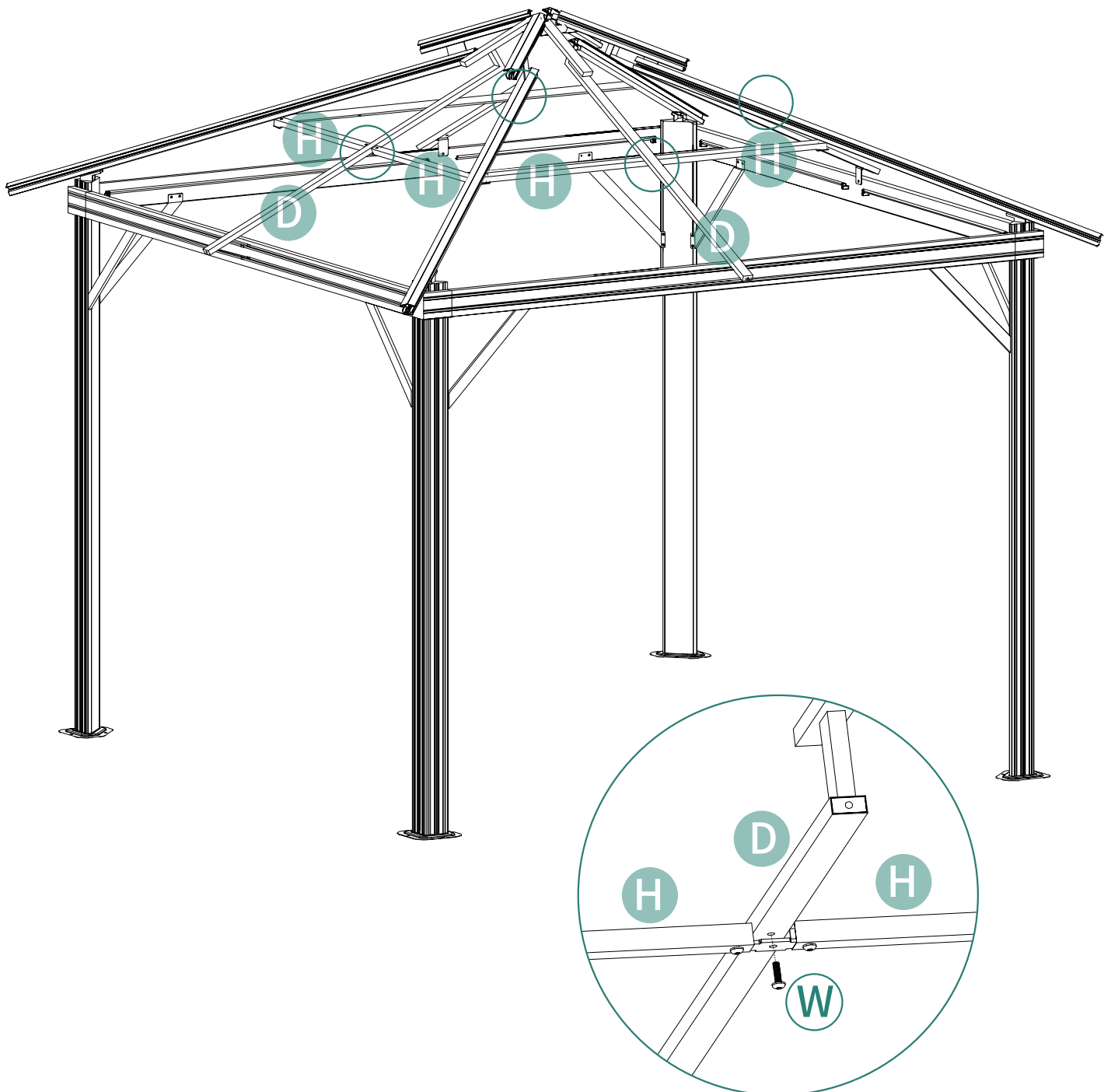
Parts H should be placed as shown in the picture. The side view is marked by triangles. Part M3 should be inserted in-between parts H.



# ASSEMBLY INSTRUCTIONS

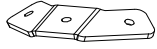


Place the screws into part W and tighten nuts after step 21.



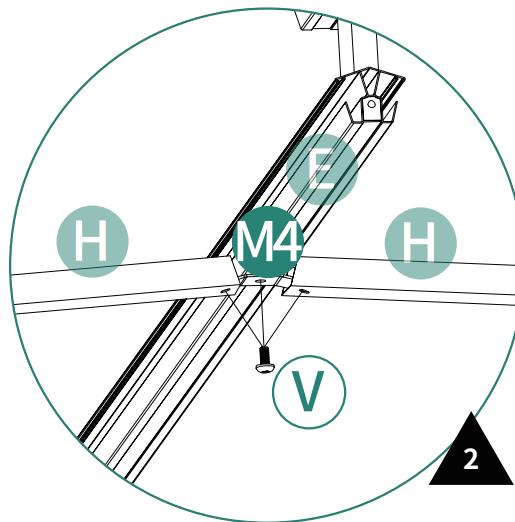
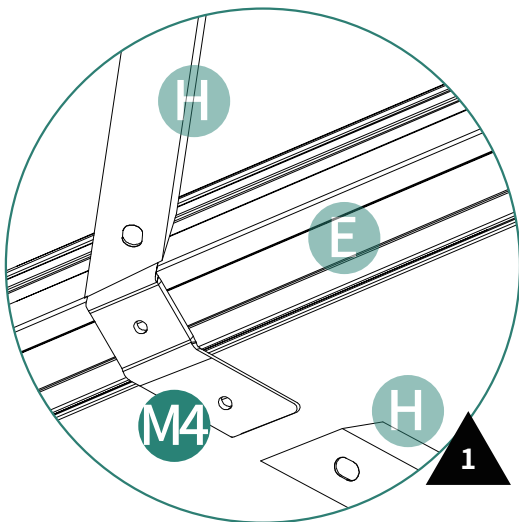
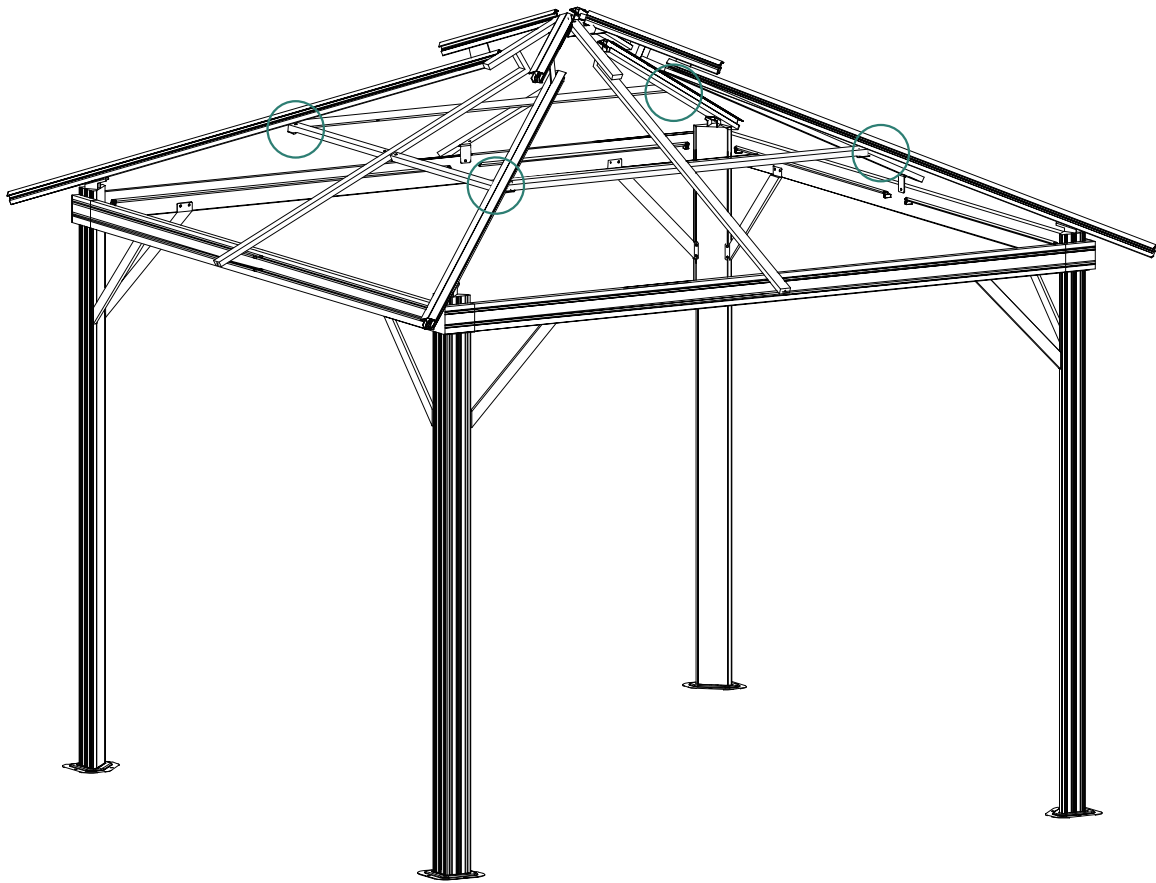
# ASSEMBLY INSTRUCTIONS

16



(M)4pcs

(V)12pcs

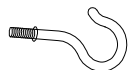


# ASSEMBLY INSTRUCTIONS

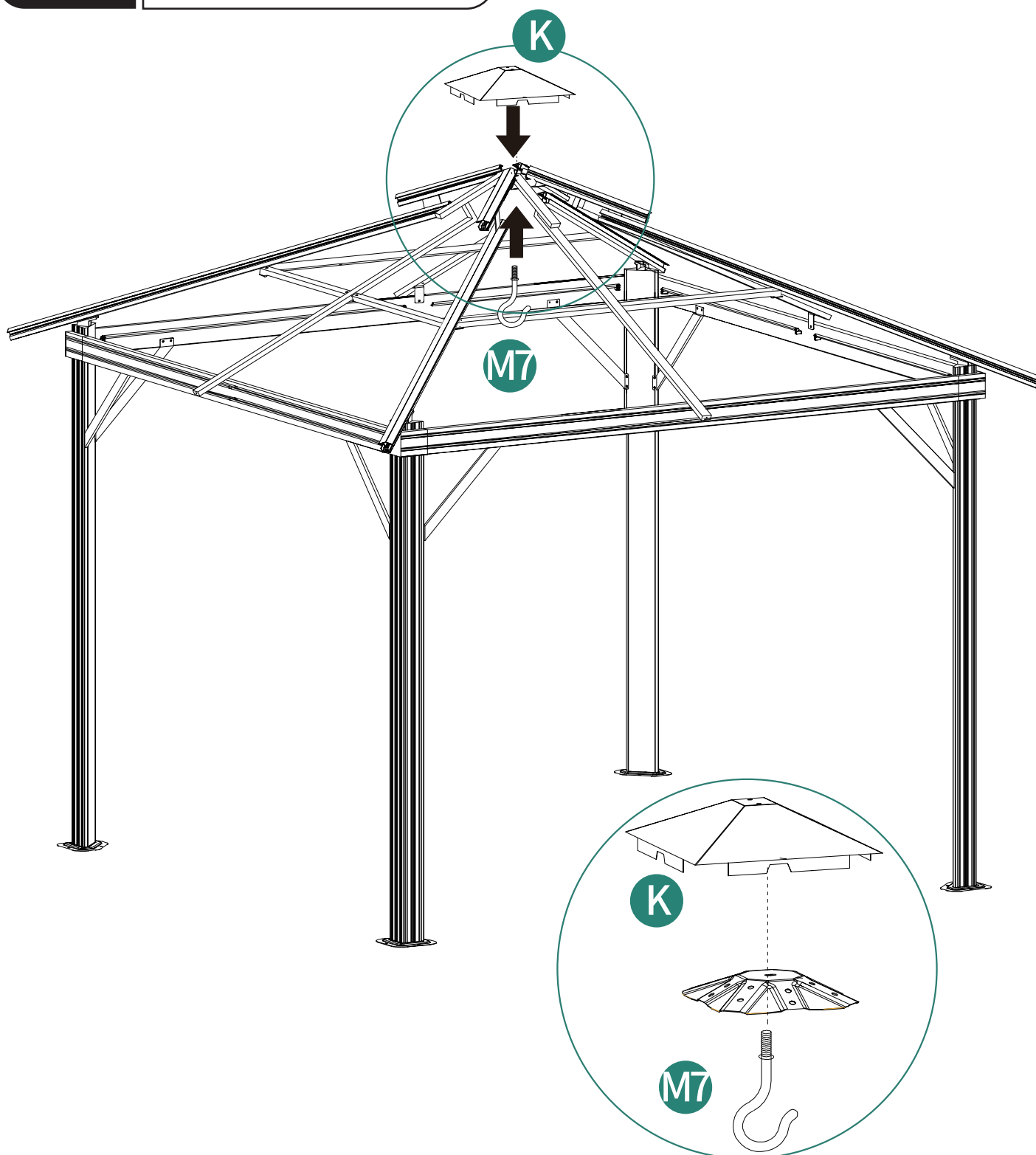
17



Ⓚ1pc



Ⓜ71pc



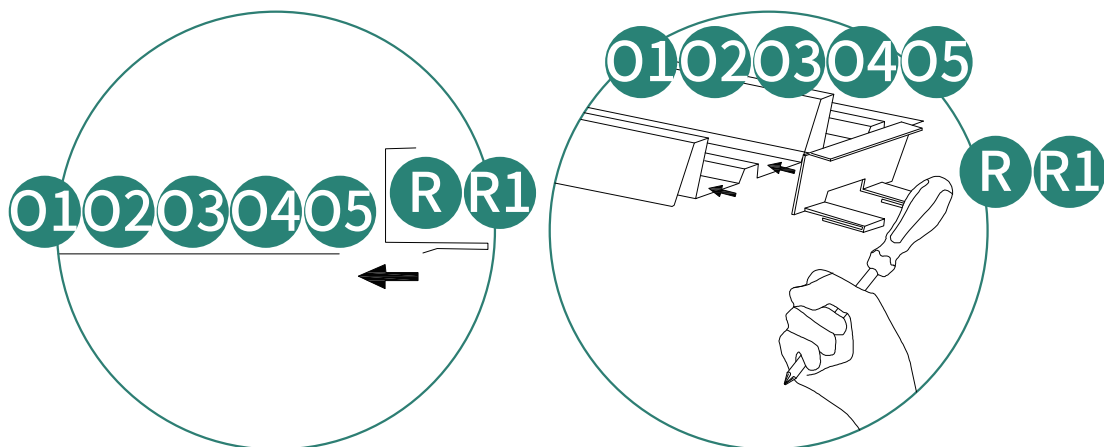
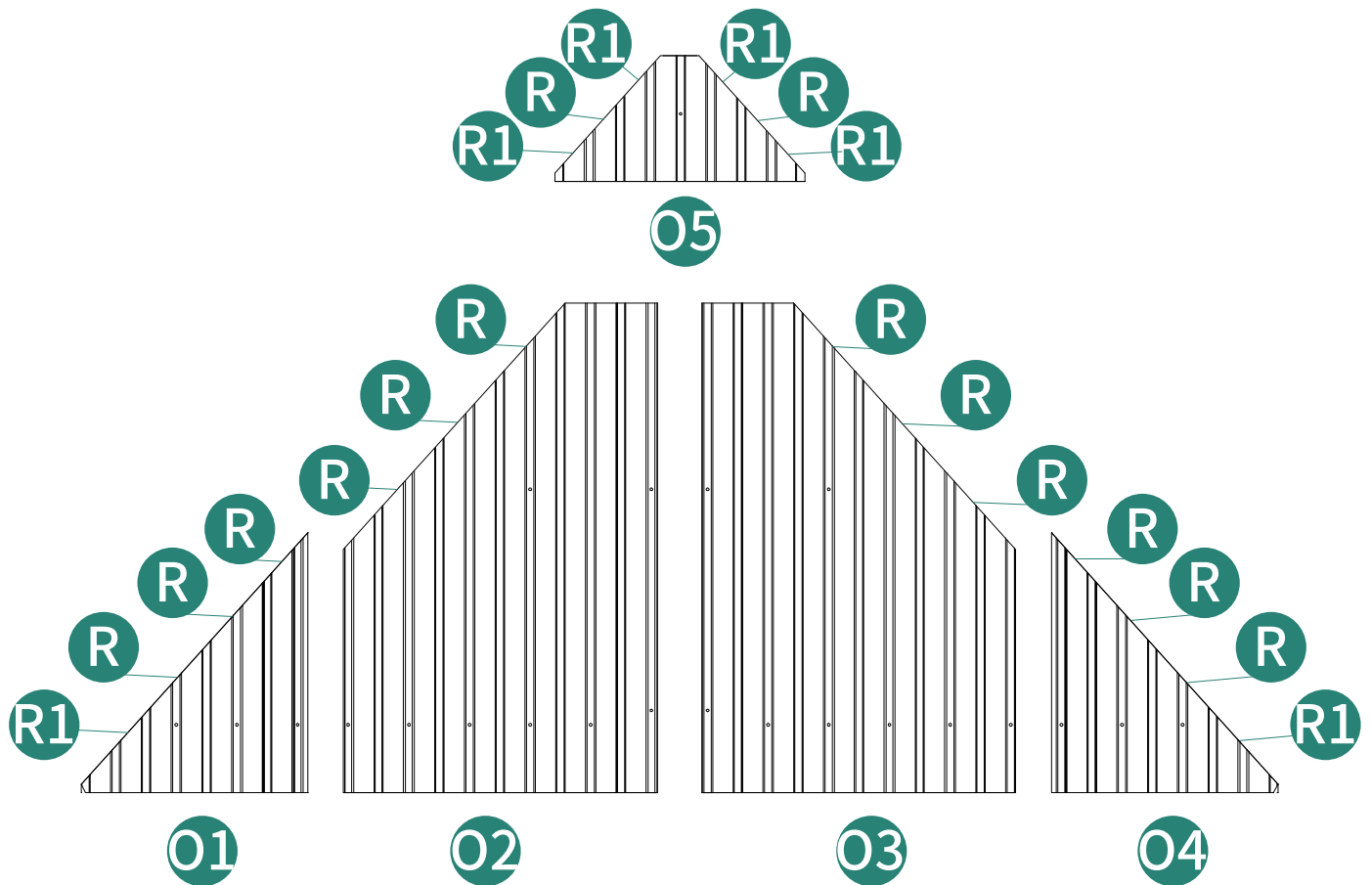
# ASSEMBLY INSTRUCTIONS

18

X4



Attach R1 and R by lightly tapping with screw driver.

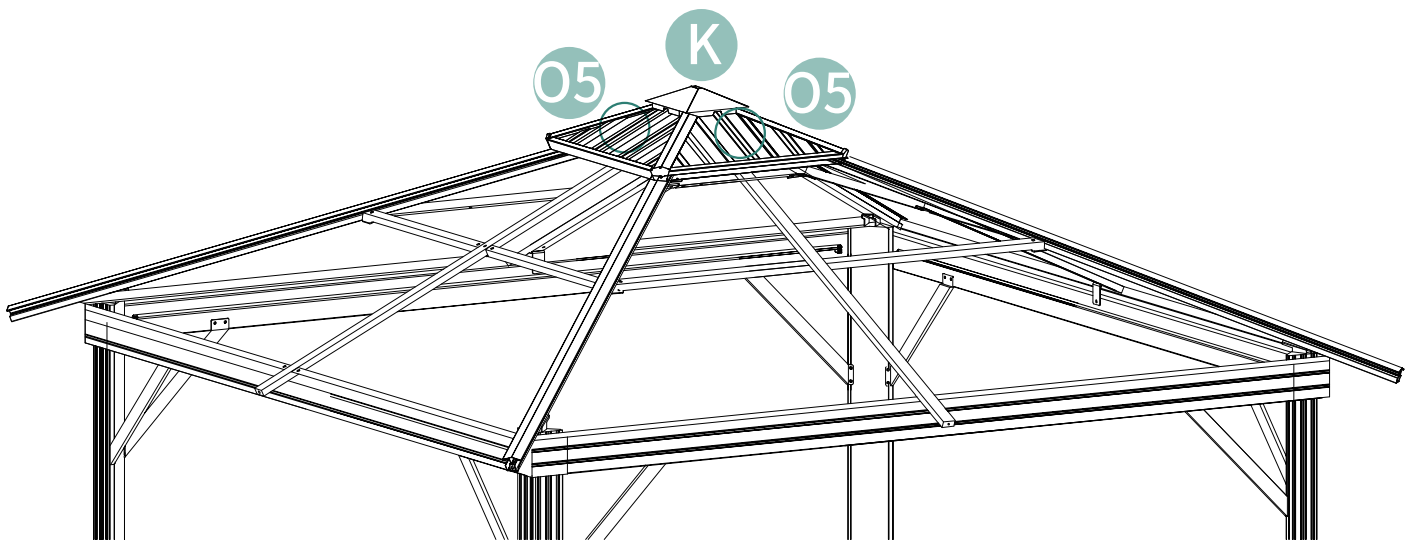
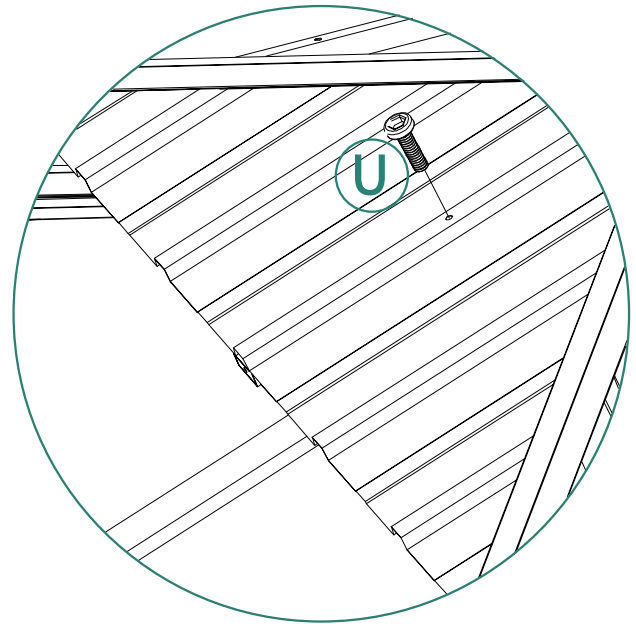
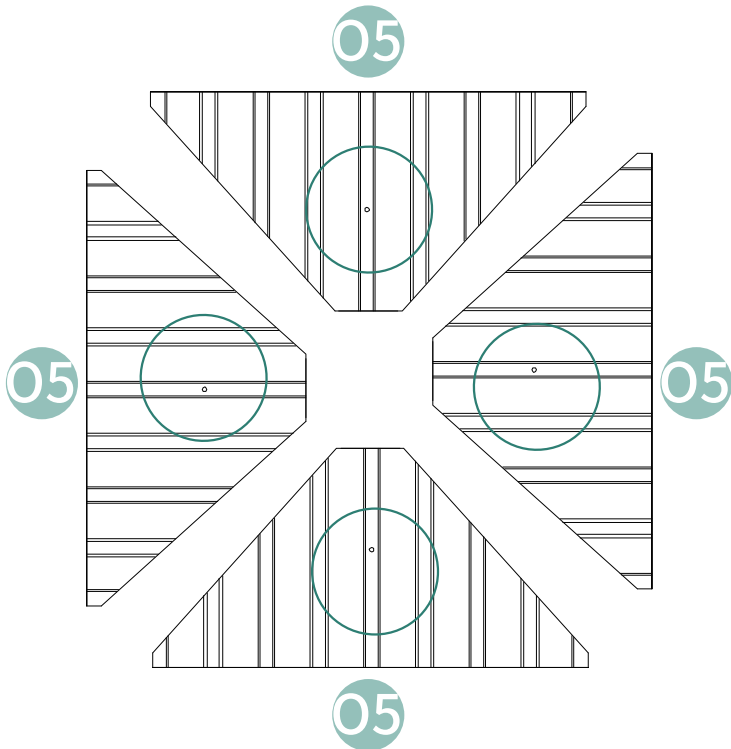


# ASSEMBLY INSTRUCTIONS

19



U4pcs

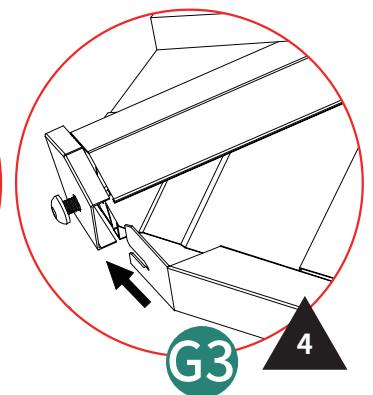
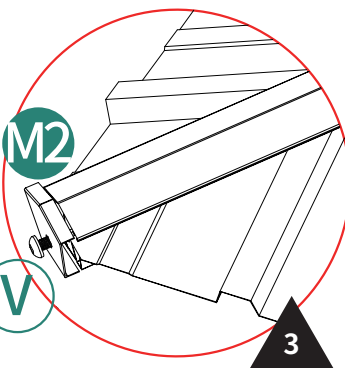
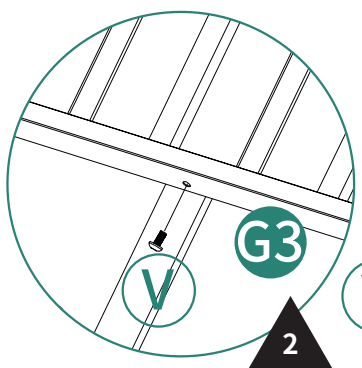
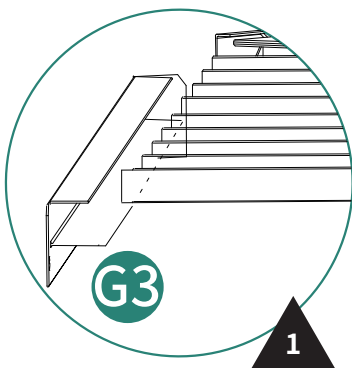
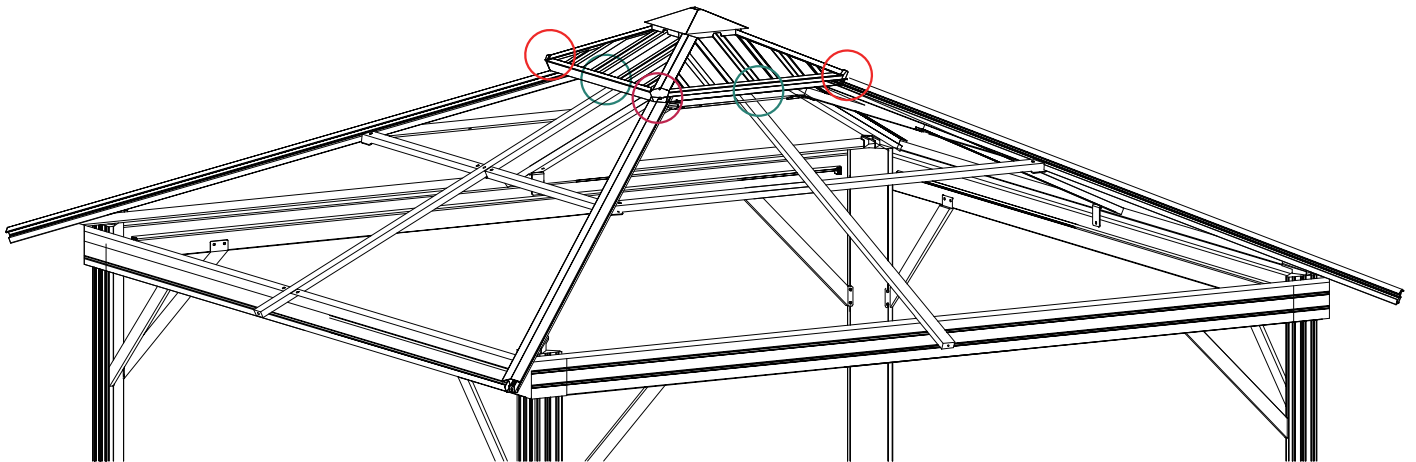


# ASSEMBLY INSTRUCTIONS



# 20



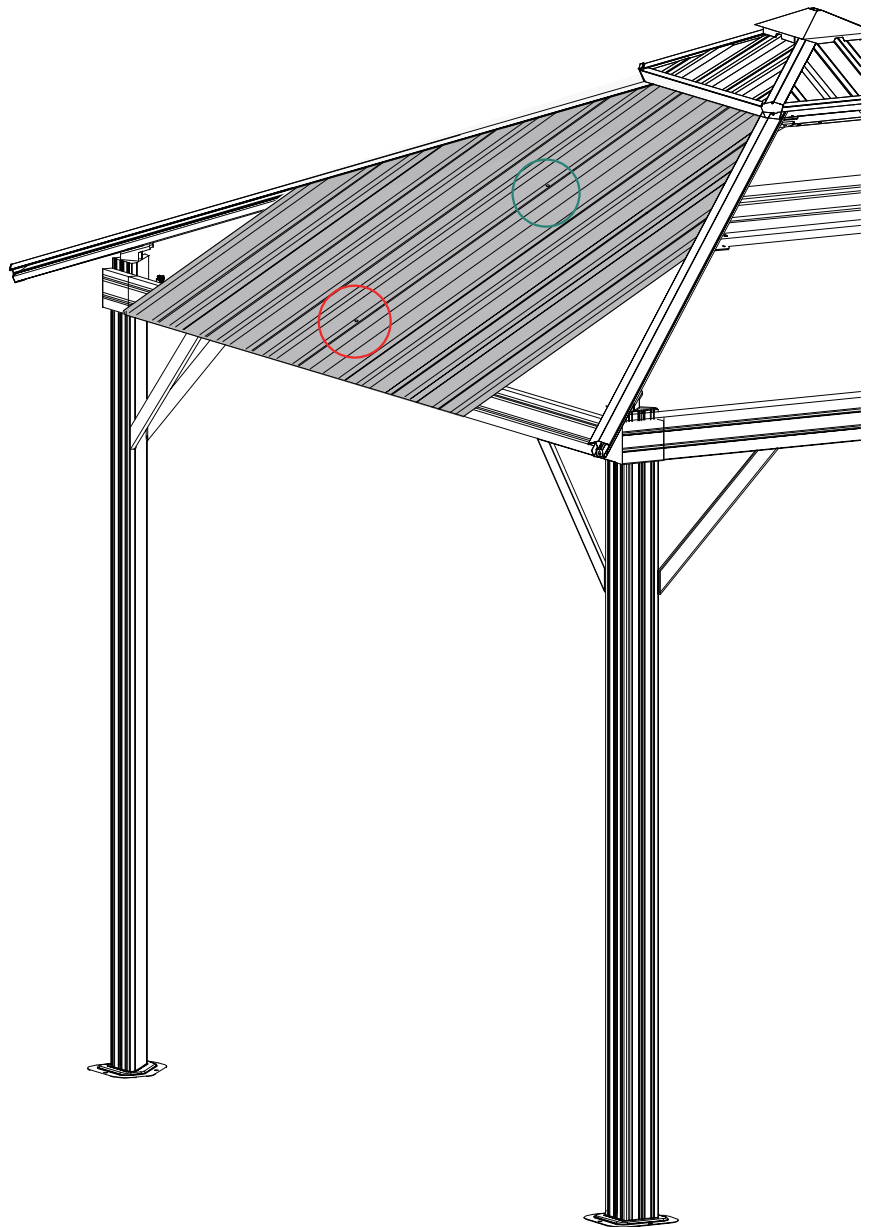
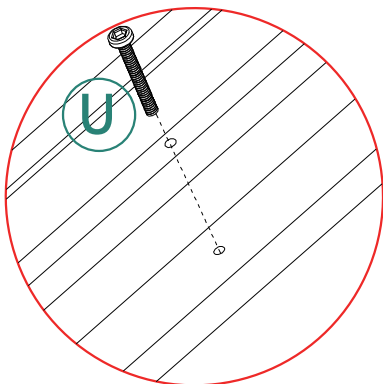
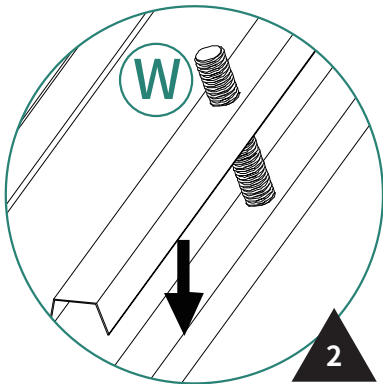
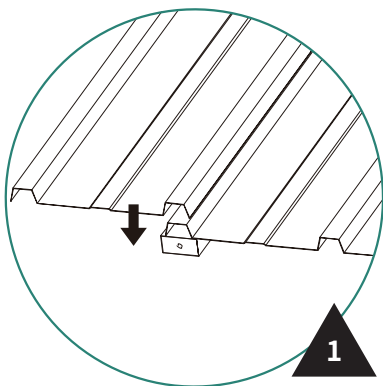
Do not tighten screw V prior to completing step 20.



# ASSEMBLY INSTRUCTIONS

<b>21</b> <b>X4</b>		
	⓪4pcs	Ⓜ4pcs

Nut w shouldn't be tightened during step 15.  
Tighten it only after completing this step.



# ASSEMBLY INSTRUCTIONS

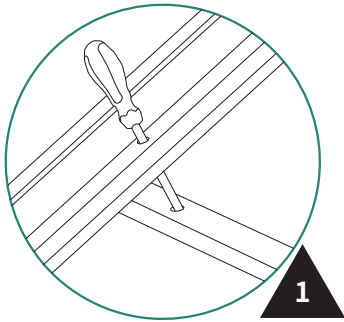
22

X4

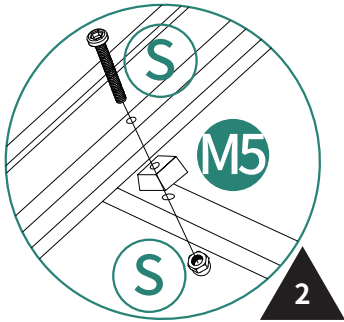


M5 40pcs   S 8pcs   T 32pcs

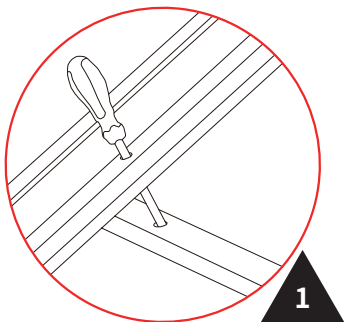
Tighten all the screws after this step.



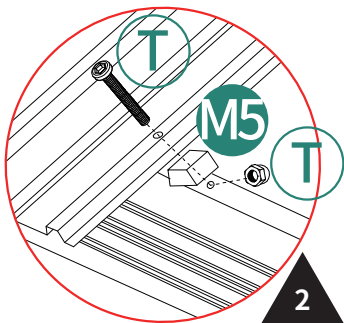
1



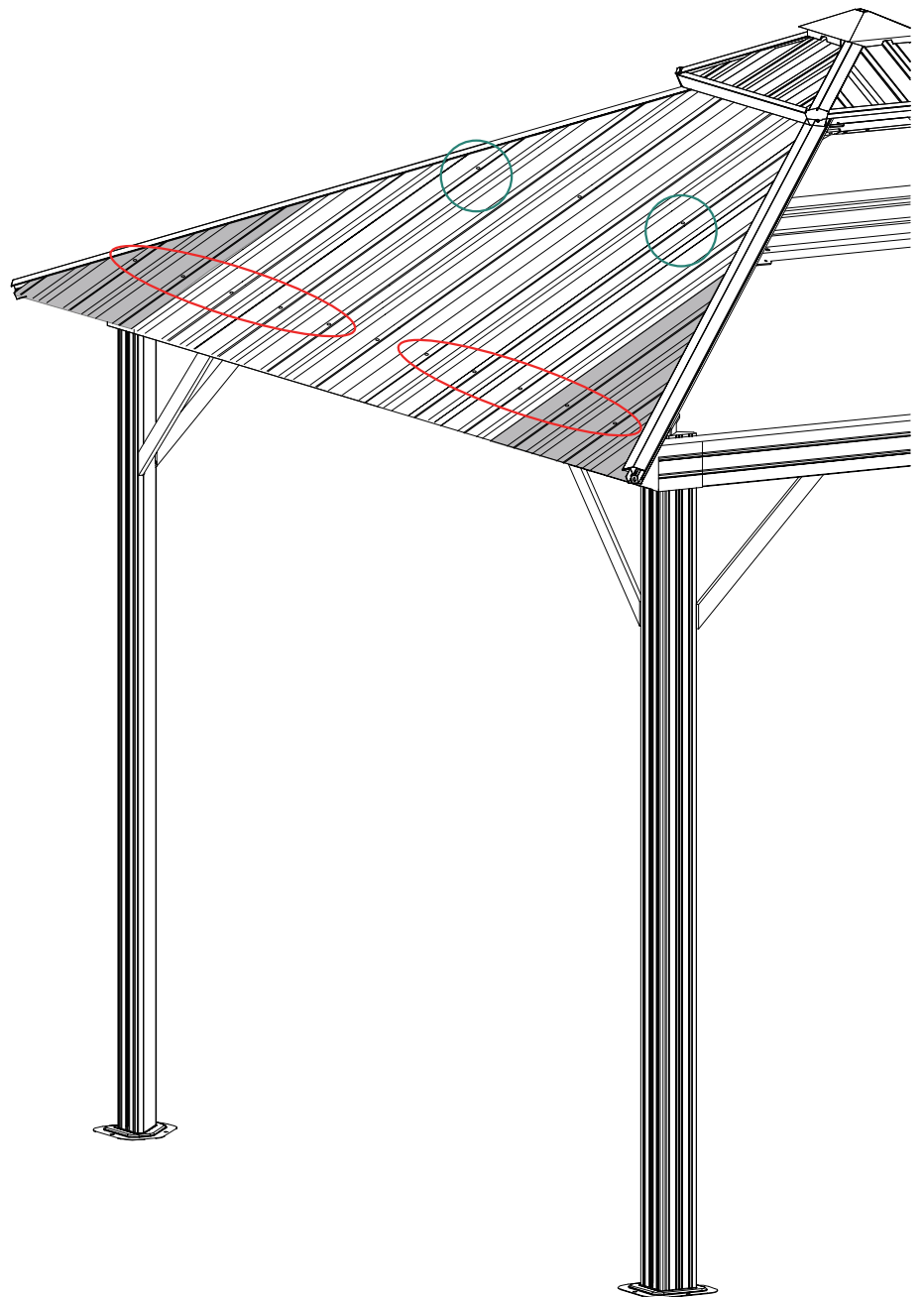
2



1



2



# ASSEMBLY INSTRUCTIONS

# 23

  
G1 4pcs

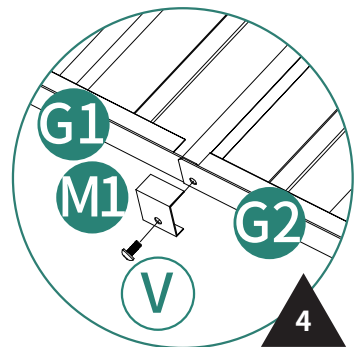
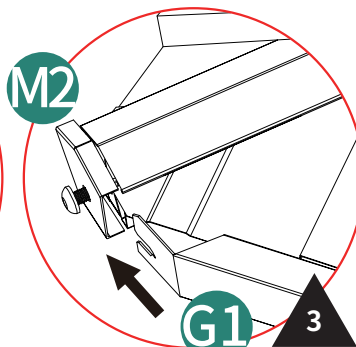
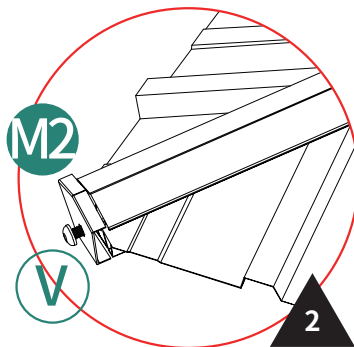
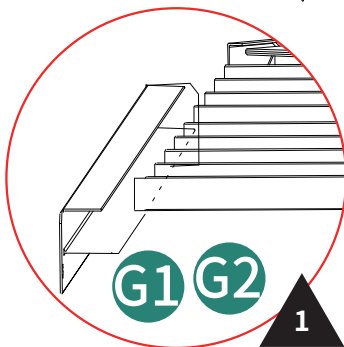
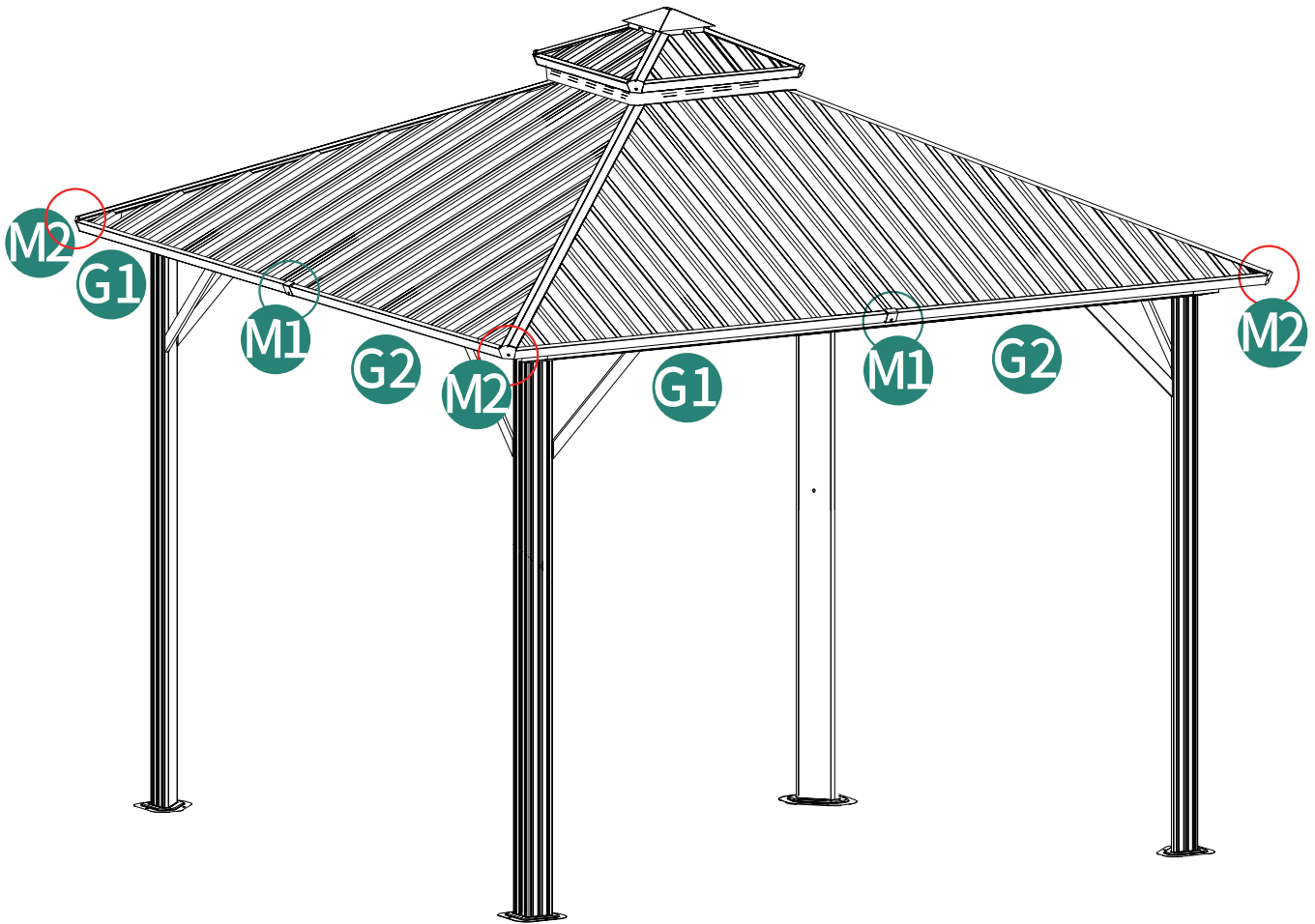
  
G2 4pcs

  
M1 4pcs

  
M2 4pcs

  
V 8pcs

Do not tighten Screw V before completing step 23.



# ASSEMBLY INSTRUCTIONS

# 24

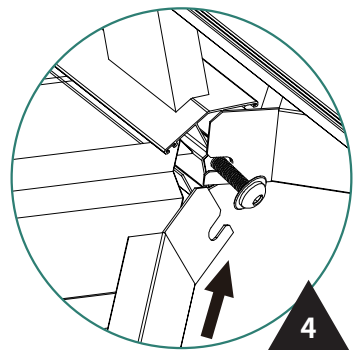
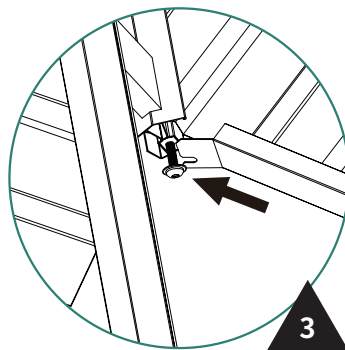
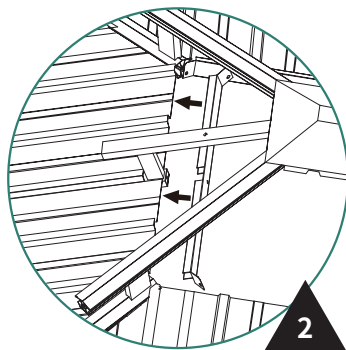
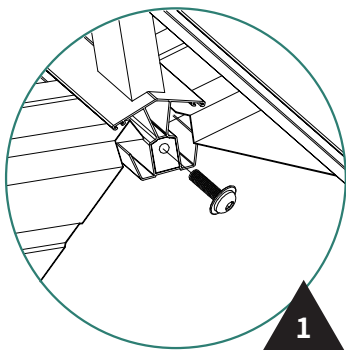
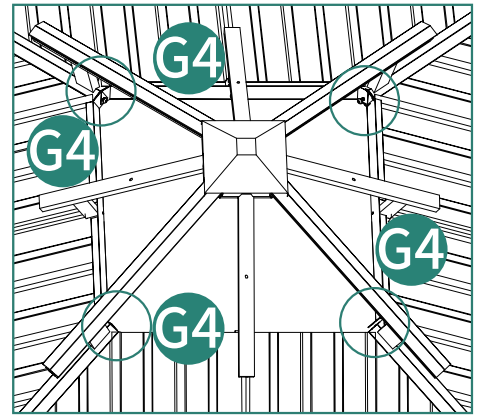
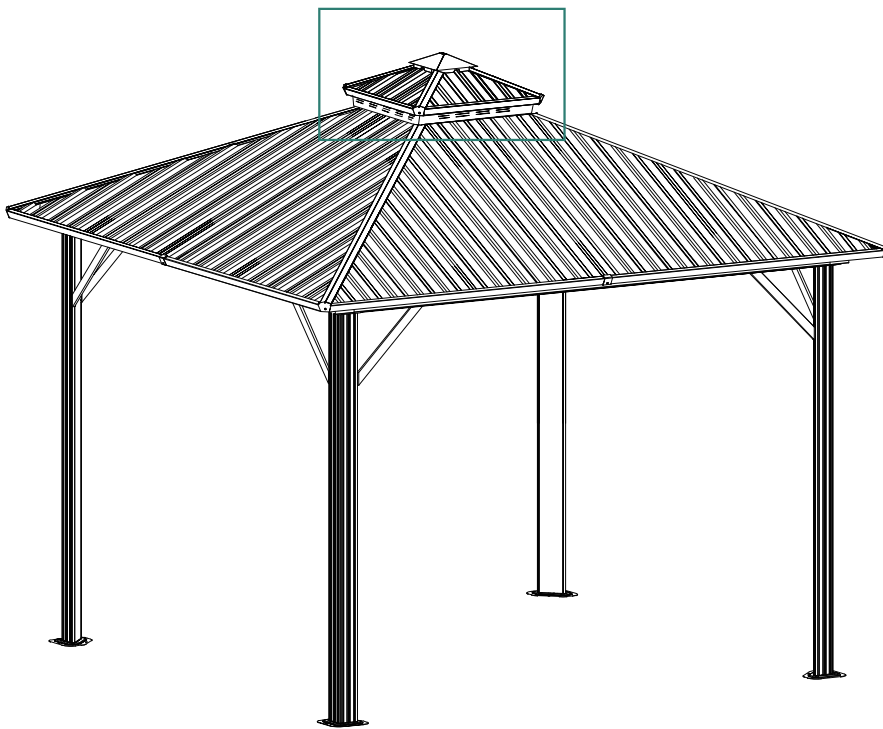


G4 4pcs




U1 4pcs

Do not tighten Screw U1 before completing step 24.



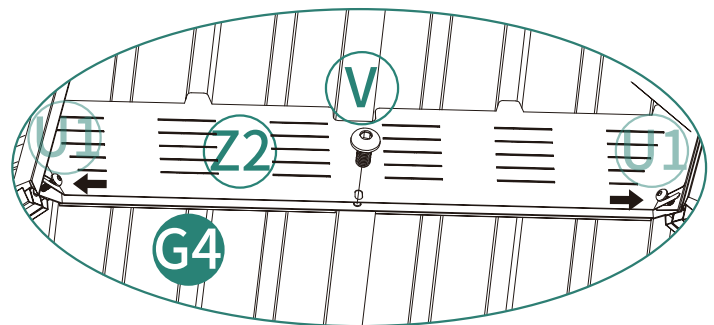
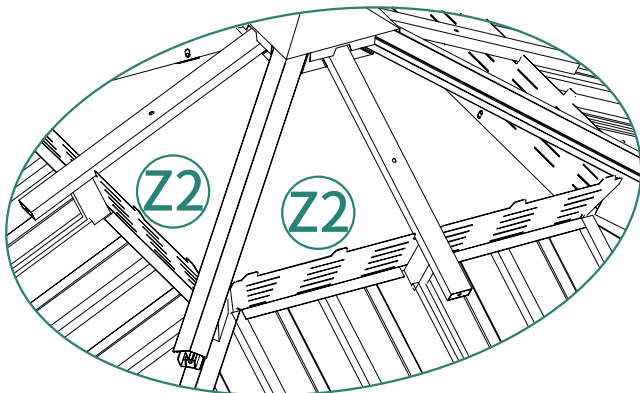
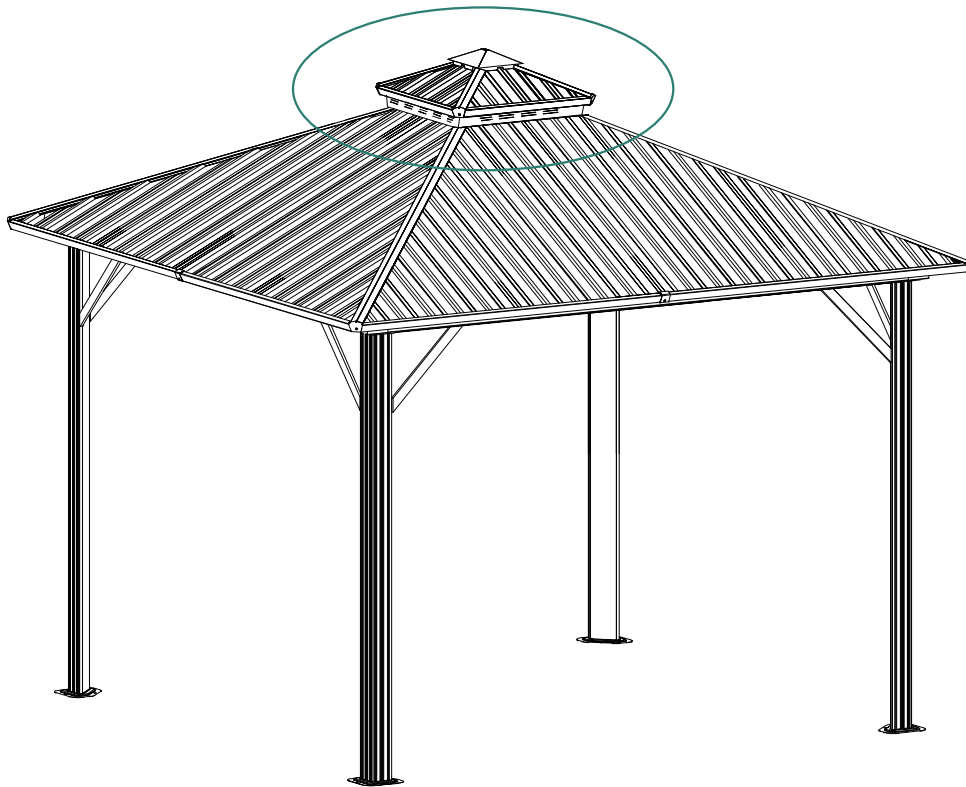
# ASSEMBLY INSTRUCTIONS

**25**



Ⓧ4pcs   Ⓩ4pcs

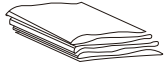
Tighten screw V after completing part Z2.



It's view from the bottom inside gazebo.

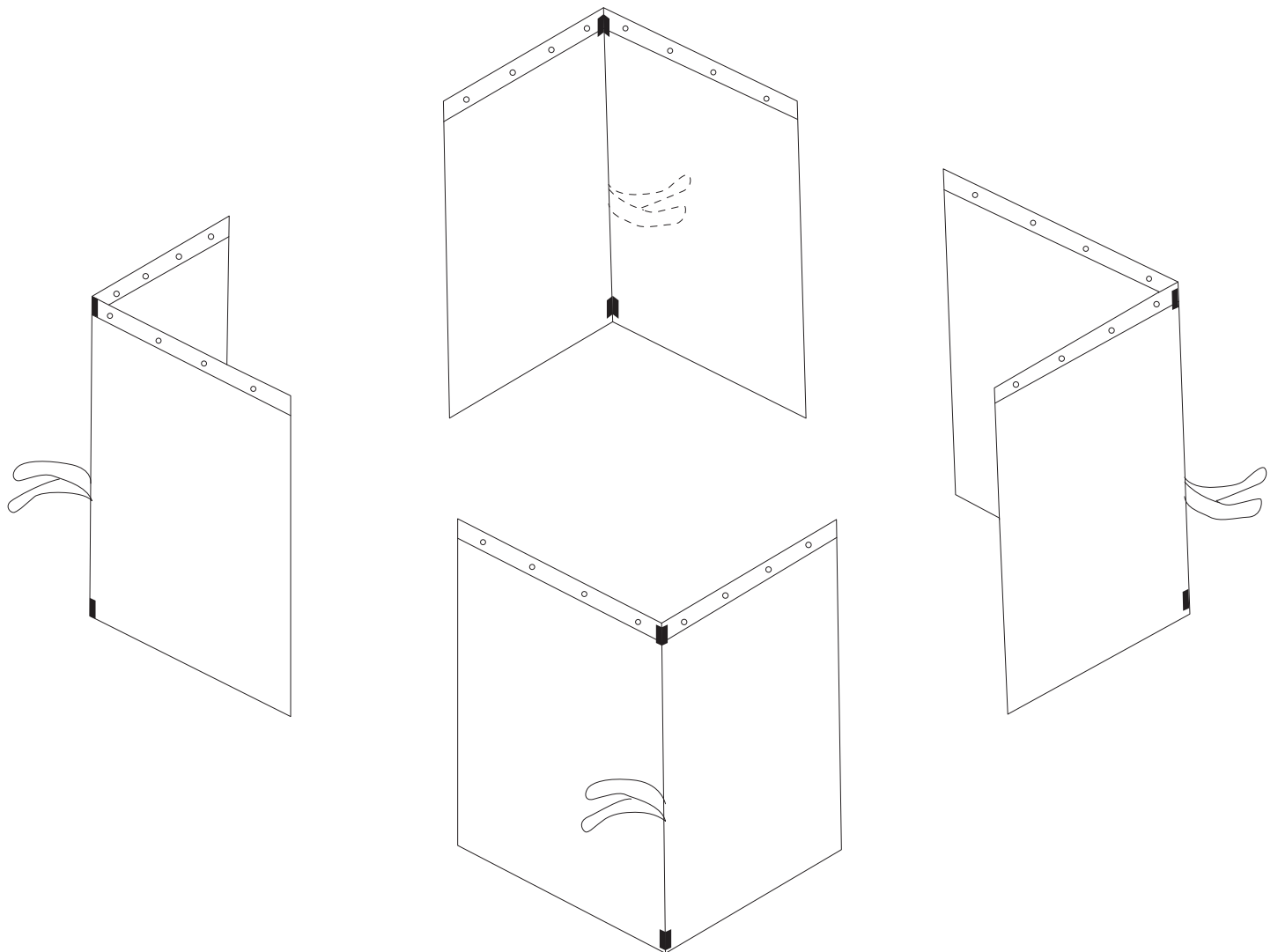
# ASSEMBLY INSTRUCTIONS

26

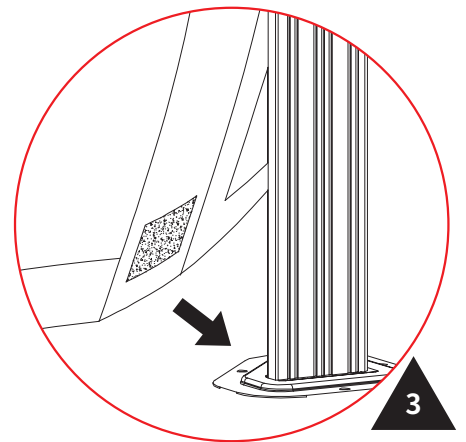
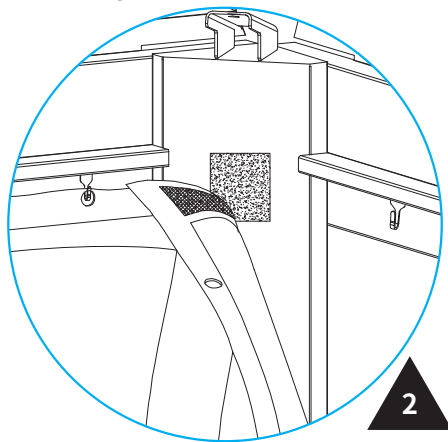
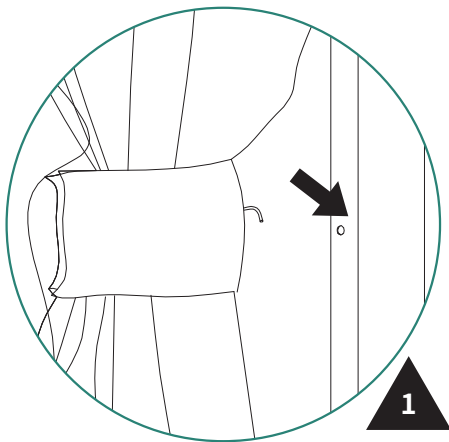
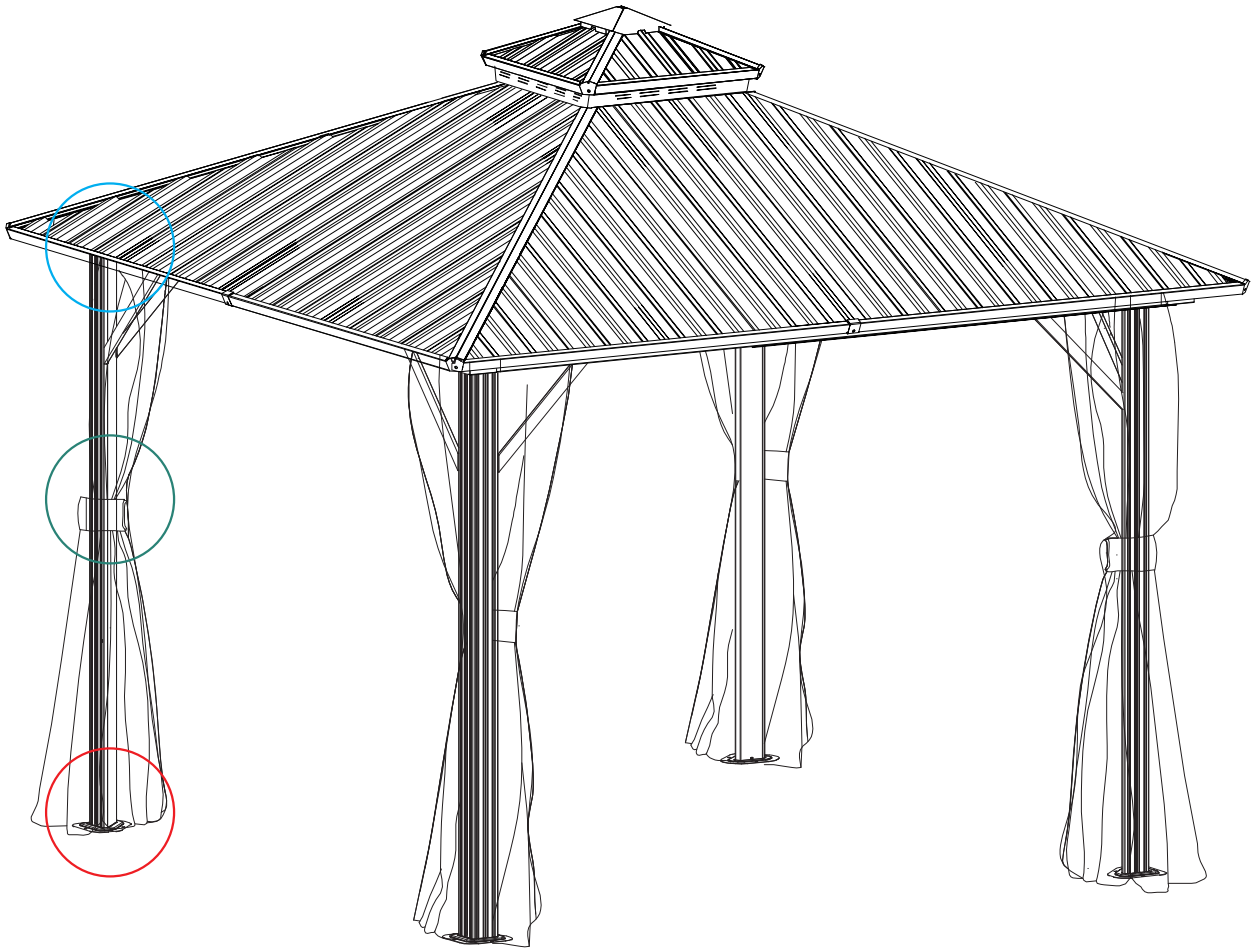


1pc

Untie and unzip the curtains, then divide it into 4 parts.



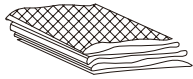
# 27



Curtain should be installed on the rail closer to the roof edge.

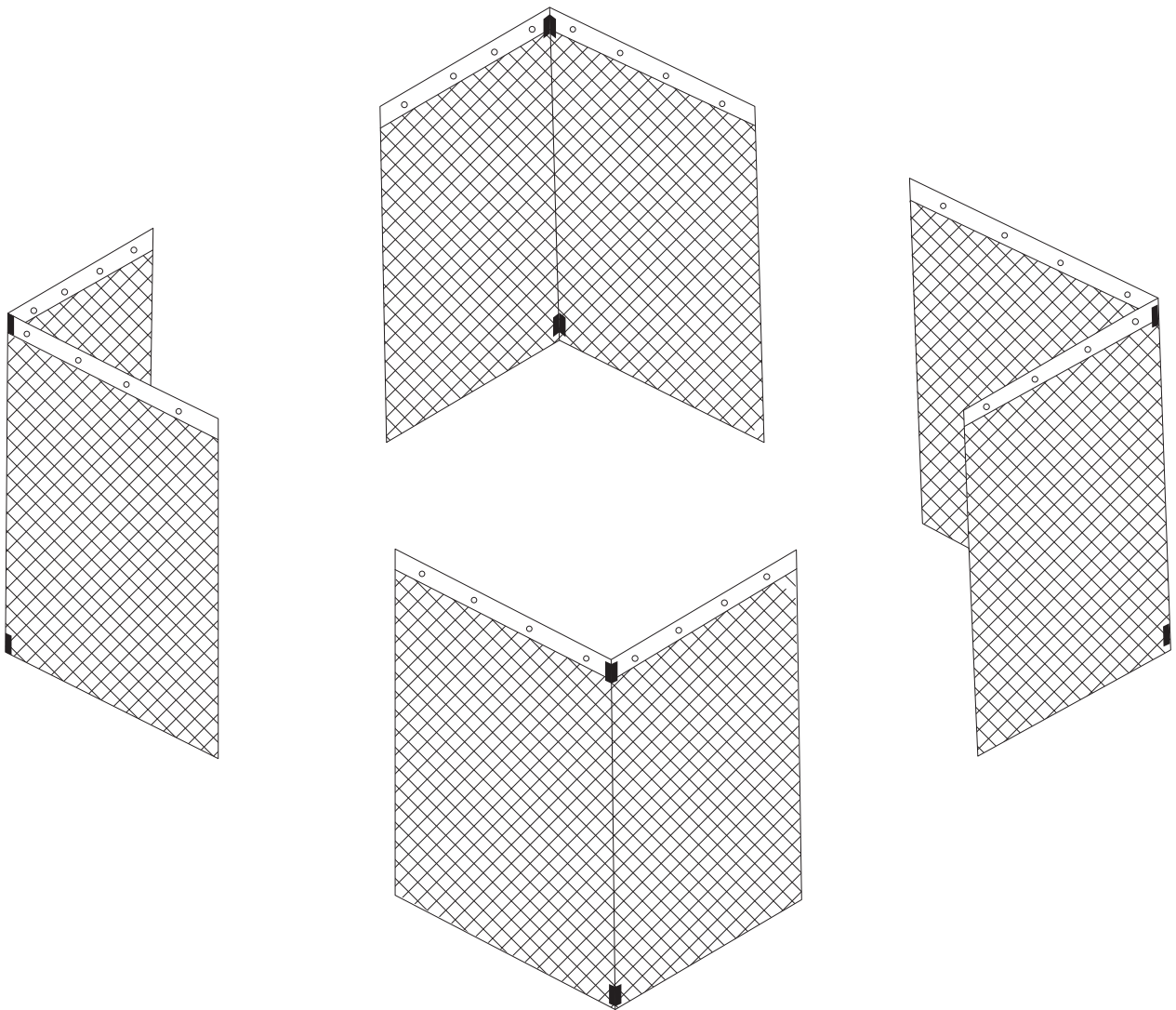
# ASSEMBLY INSTRUCTIONS

28

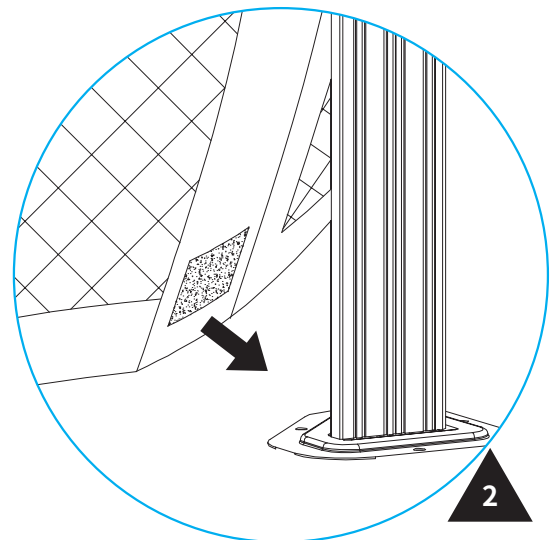
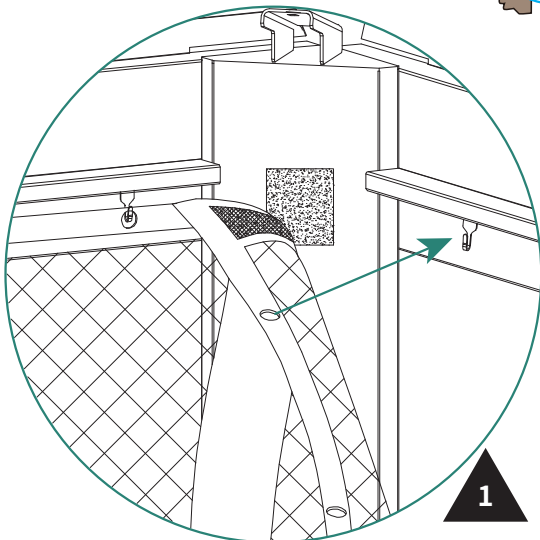
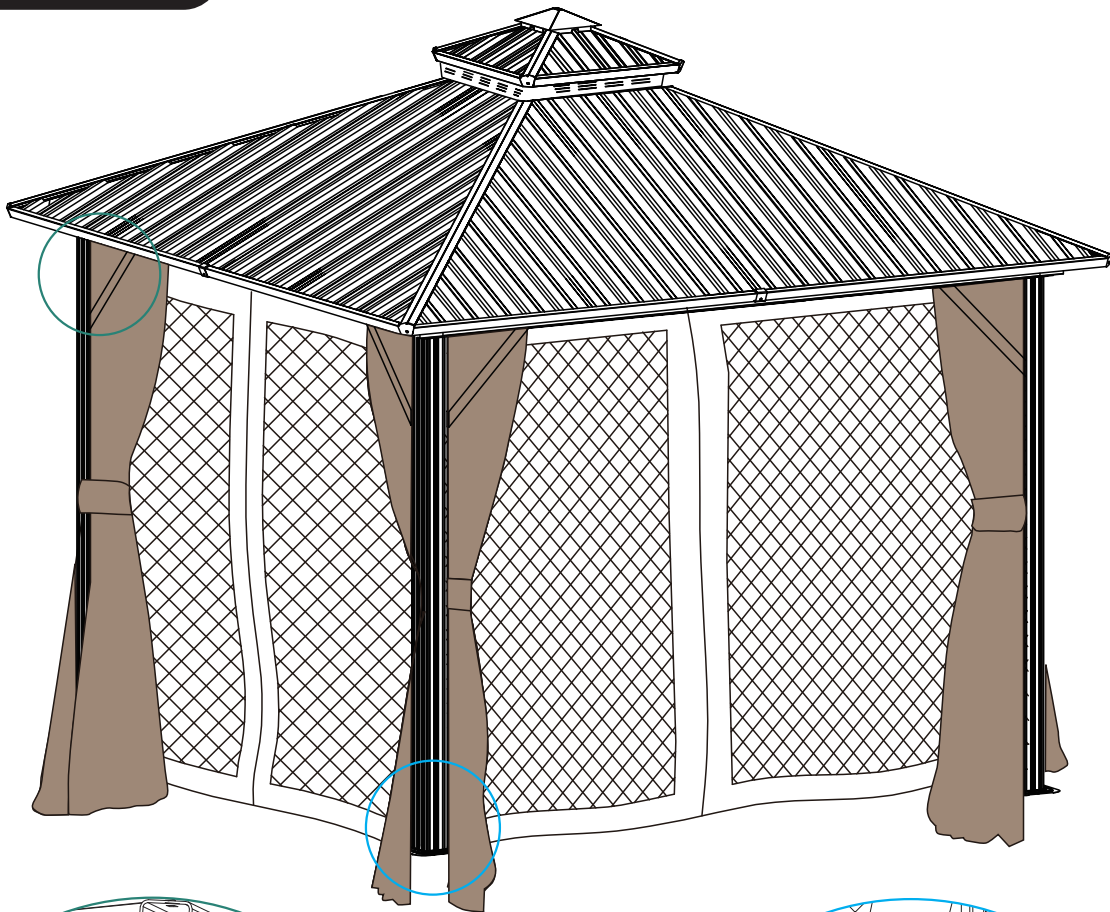


1pc

Untie and unzip the netting, then divide it into 4 parts.



# 29



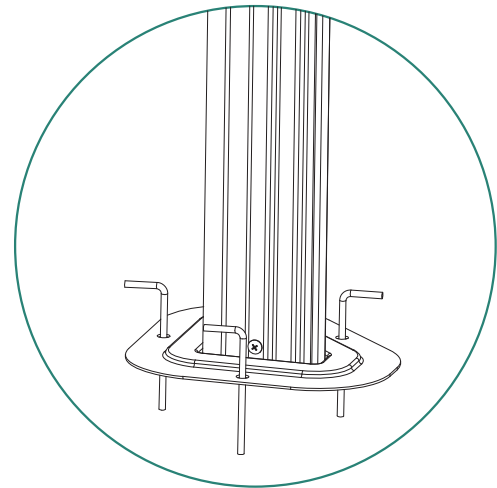
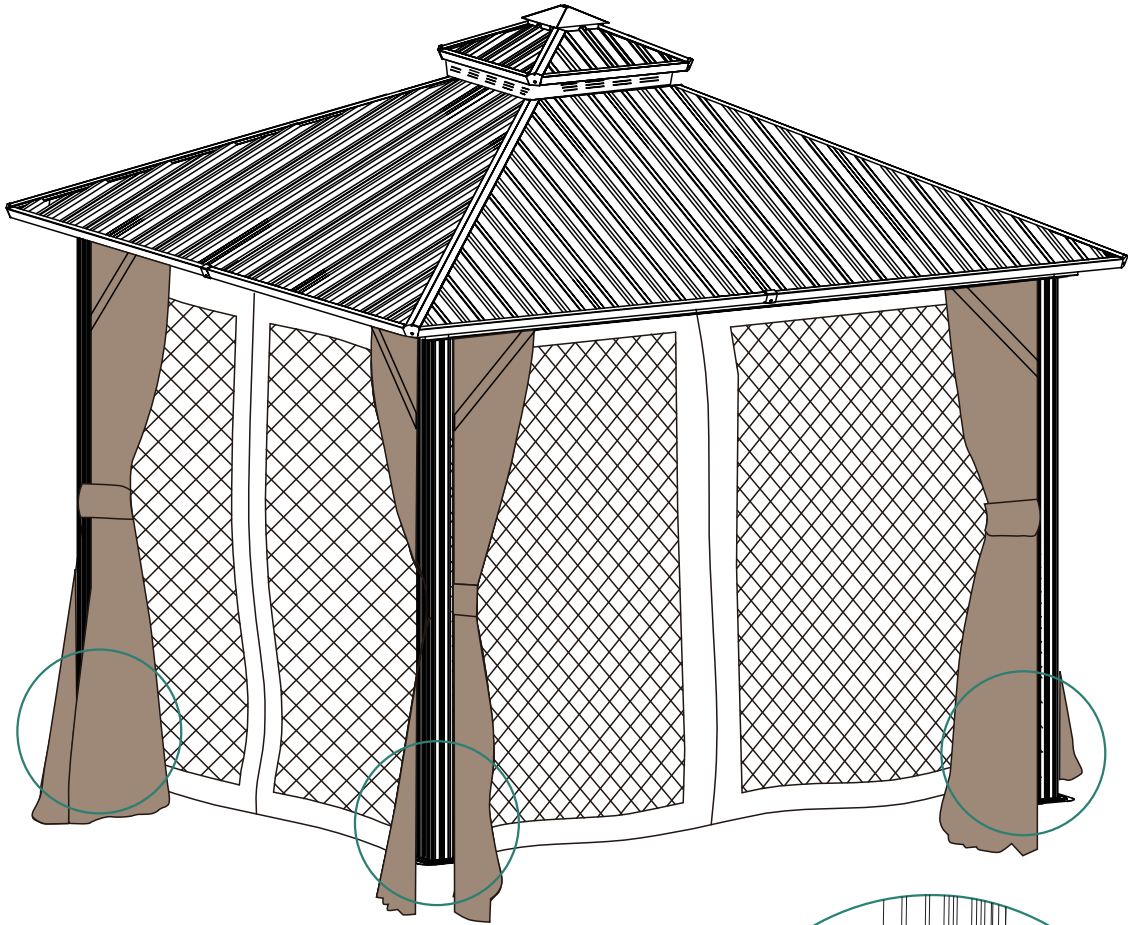
Netting should be installed on the rail further away the roof edge.

# ASSEMBLY INSTRUCTIONS

30



12pcs



Installation Completed

Firmly fixed to the ground