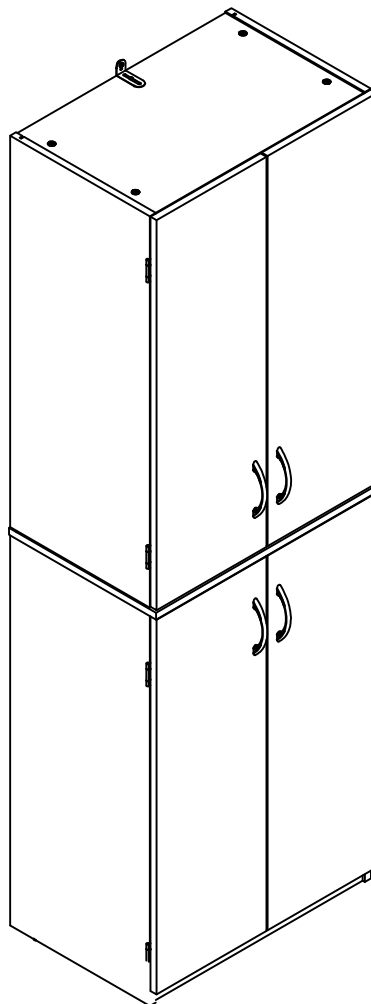


4 Door Storage Cabinet



Do Not Return This Product!

Contact our customer service team for help first.

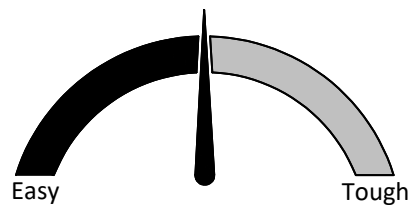
THIS INSTRUCTION BOOKLET CONTAINS **IMPORTANT** SAFETY INFORMATION. PLEASE READ AND KEEP FOR FUTURE REFERENCE.

Secure Your Furniture

Keep your home and family safe with the wall anchor kit that is included with the product.

Serious or fatal crushing injuries can occur from tipping furniture.

WARNING: Manufacturer assumes no liability for improper installation or excessive loads placed on screws or bracket. This wall anchor is not a substitute for proper adult supervision.



Easy Tough
Assembly Difficulty Meter

Contact Us!

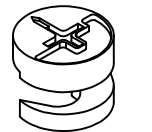
Do NOT return this product!

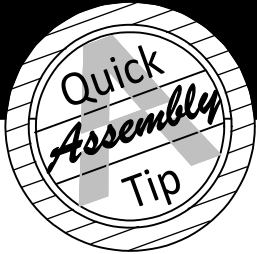
Contact our friendly customer service team first for help.

Helpful Hints

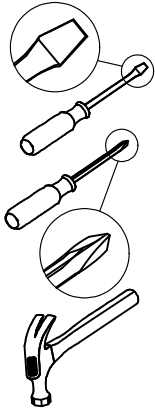
PEOPLE NEEDED FOR ASSEMBLY: 1-2

- Open your item in the area you plan to keep it to avoid excessive heavy lifting.
- Identify, sort and count the parts before attempting assembly.
- Make sure to always face the point on the top of the Cam Lock towards the outer edge.
- Use all the nails provided for the back panel and spread them out equally.
- Back panel must be used to make sure your unit is sturdy.
- Do NOT use harsh chemicals or abrasive cleaners on this item.
- Never push, pull, or drag your furniture.





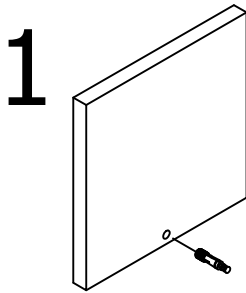
Before You Start



- ✓ Read through each step carefully and follow the proper order
- ✓ Separate and count all your parts and hardware
Parts are labeled on the surface or edge of the part
- ✓ Give yourself enough room for the assembly process
- ✓ Have the following tools: Flat Head Screwdriver, #2 Phillips Head Screwdriver and Hammer
- ✓ Caution: If using a power drill or power screwdriver for screwing, please be aware to slow down and stop when screw is tight. Failure to do so may result in stripping the screw.

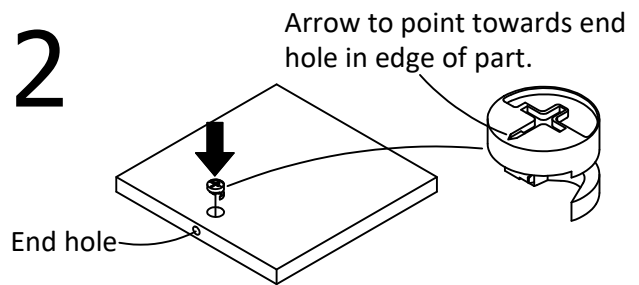
Cam Lock Fastening System

This Cam Lock Fastening System will be used throughout the assembly process.



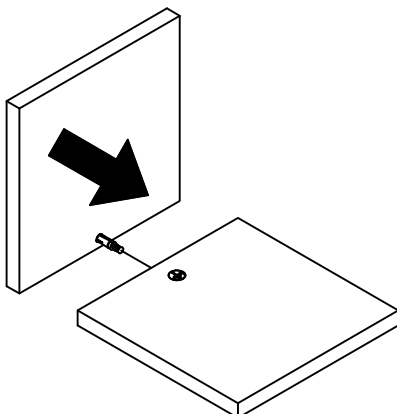
1 Press CAM BOLT into hole.

2



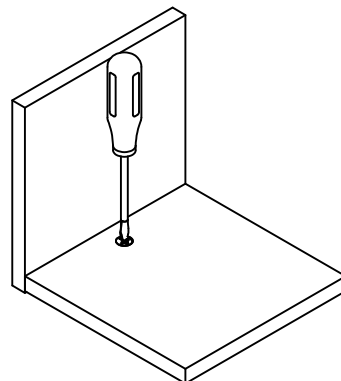
Press CAM LOCK into hole.

3

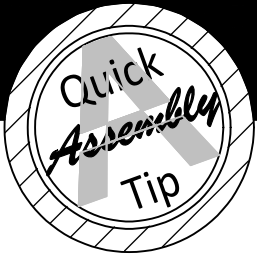


Press parts together so CAM BOLT inserts into edge hole.

4



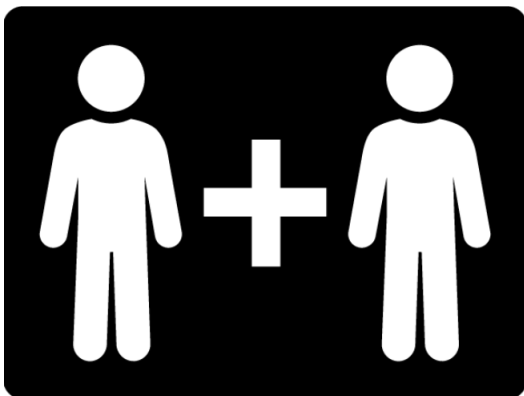
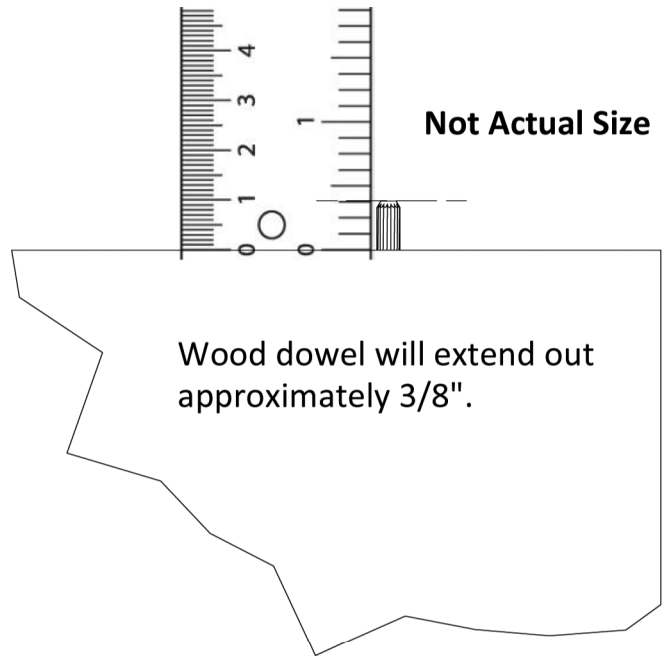
Using a screwdriver, turn the CAM LOCK clockwise to lock the CAM LOCK and CAM BOLT into their holes and fastening parts together.



Before You Start

Please Note:

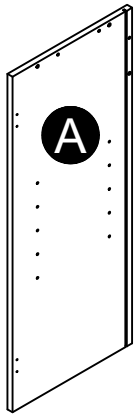
You may need to **lightly tap** the wood dowels with a hammer into the holes during your assembly process.



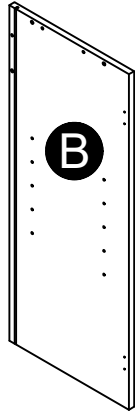
2 PEOPLE NEEDED FOR ASSEMBLY
CAUTION: Failure to use 2 people for assembly could result in unit damage or personal injury

Board Identification

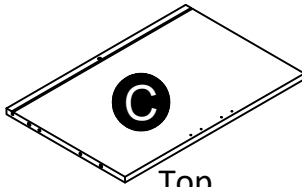
Not actual size



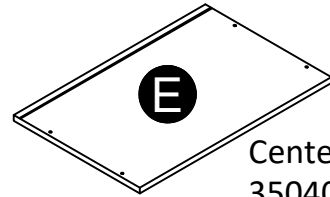
Upper Left Panel
35040015010



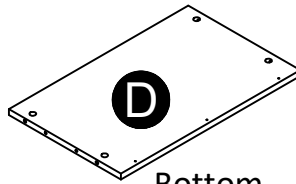
Upper Right Panel
35040015020



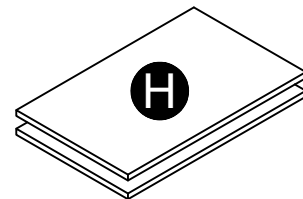
Top
35040015030



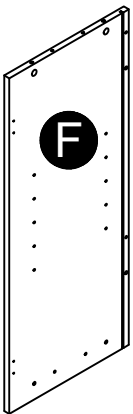
Center Shelf
35040015050



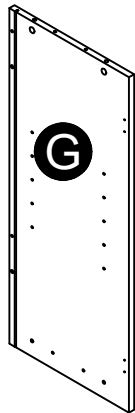
Bottom
35040015040



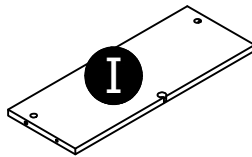
Adjustable Shelf (x2)
35040015080



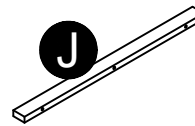
Lower Left Panel
35040015060



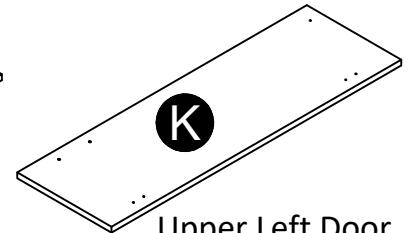
Lower Right Panel
35040015070



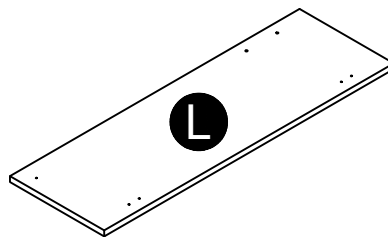
Top Support
3504000090



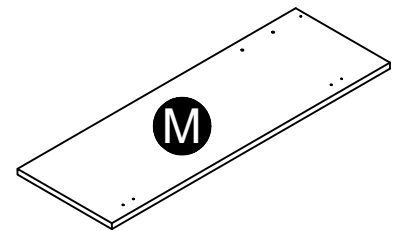
Kick
35040015100



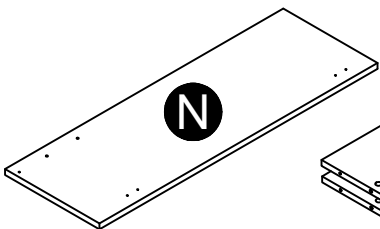
Upper Left Door
35040015110



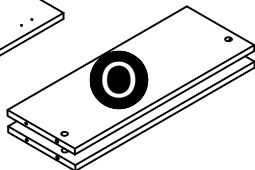
Upper Right Door
35040015120



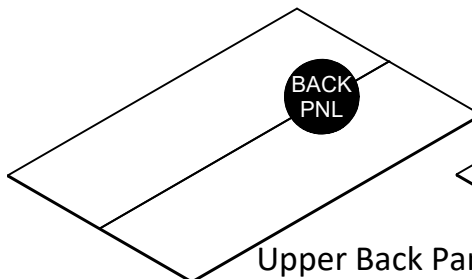
Lower Left Door
35040015130



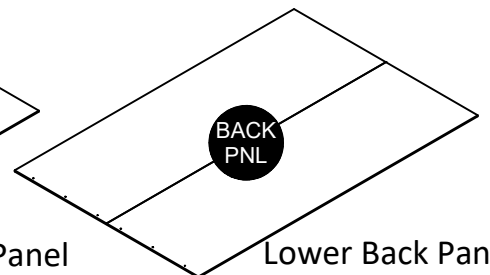
Lower Right Door
35040015140



Support (x2)
3504000150



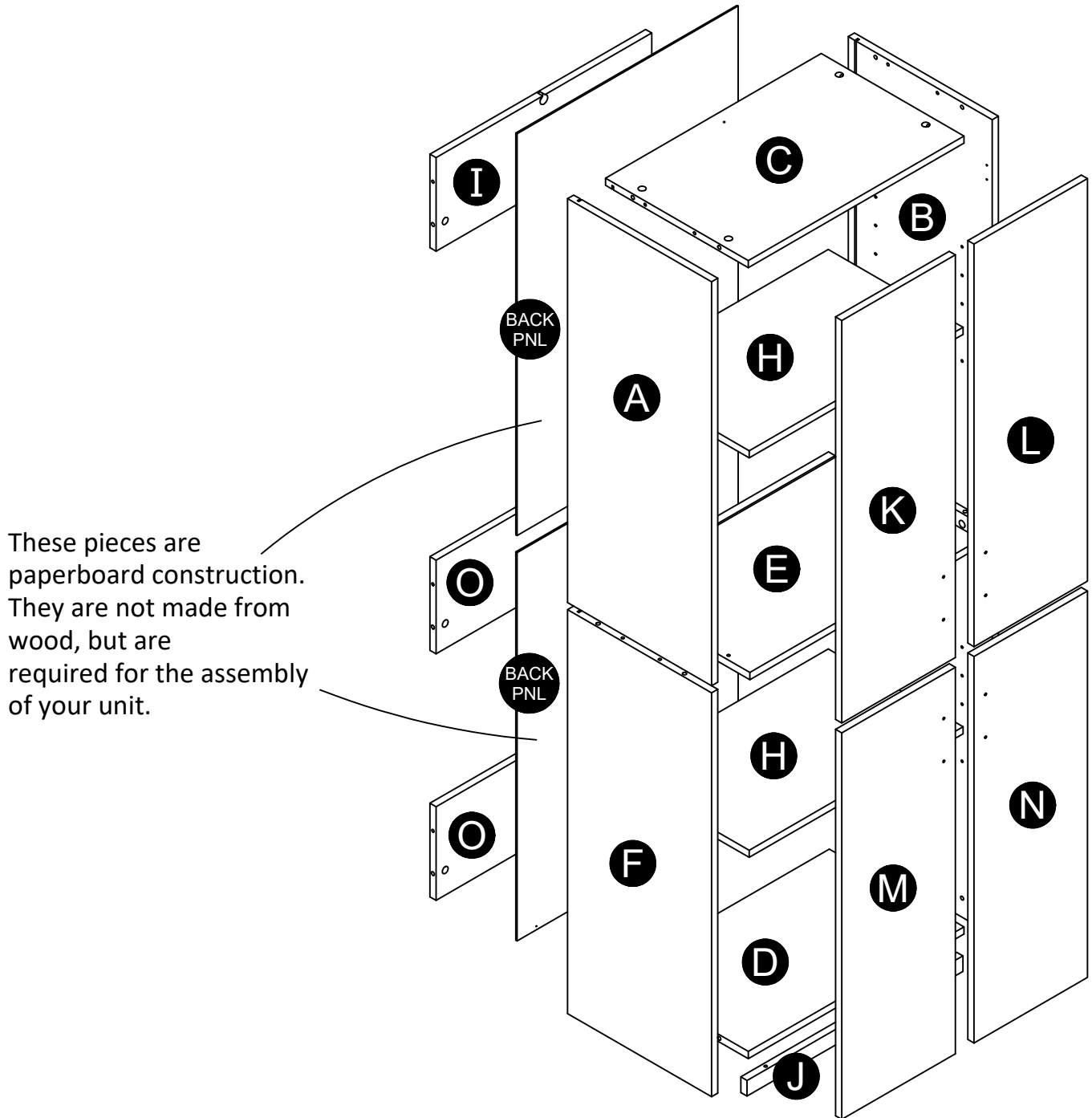
Upper Back Panel
K504001500



Lower Back Panel
K504001510

Board Identification

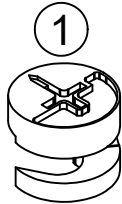
Not actual size



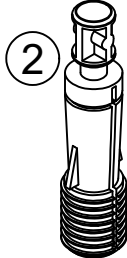
Note:
Your unit may contain extra hardware.

Part List

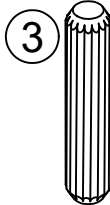
Actual Size



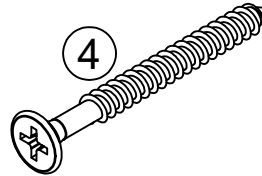
(x18)
#A22700
cam lock



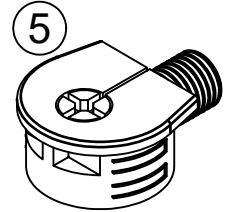
(x18)
#A22710
cam bolt



(x18)
#A21670
wood dowel



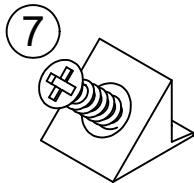
(x3)
#A13410
1-3/4" screw



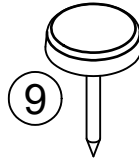
(x1)
#A22760
quickloc



(x6)
#A21110
nail



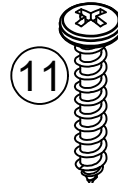
(x12)
#A54710
wedge



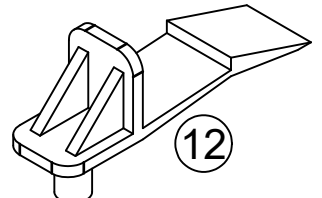
(x4)
#A43200
tack glide



(x32)
#A12120
7/16" screw

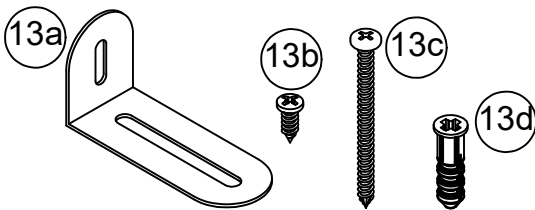


(x8)
#A12810
1" screw

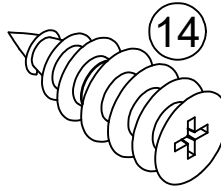


(x8)
#A80490
shelf gripper

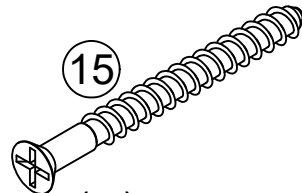
Not Actual Size



(x1)
#A84050
safety bracket



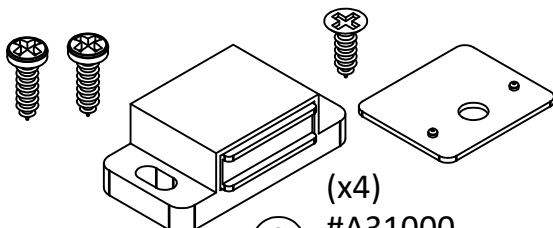
(x1)
#A20940
anchor



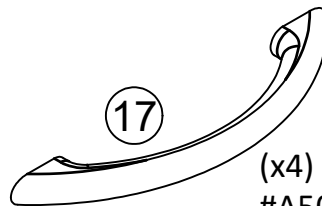
(x4)
#A23030
confirmat



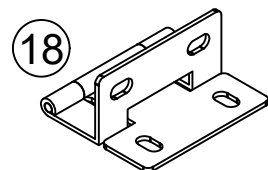
(x4)
#A245015
cam cover



(x4)
#A31000
catch kit

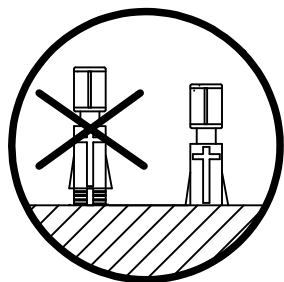
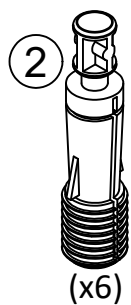


(x4)
#A50680
handle

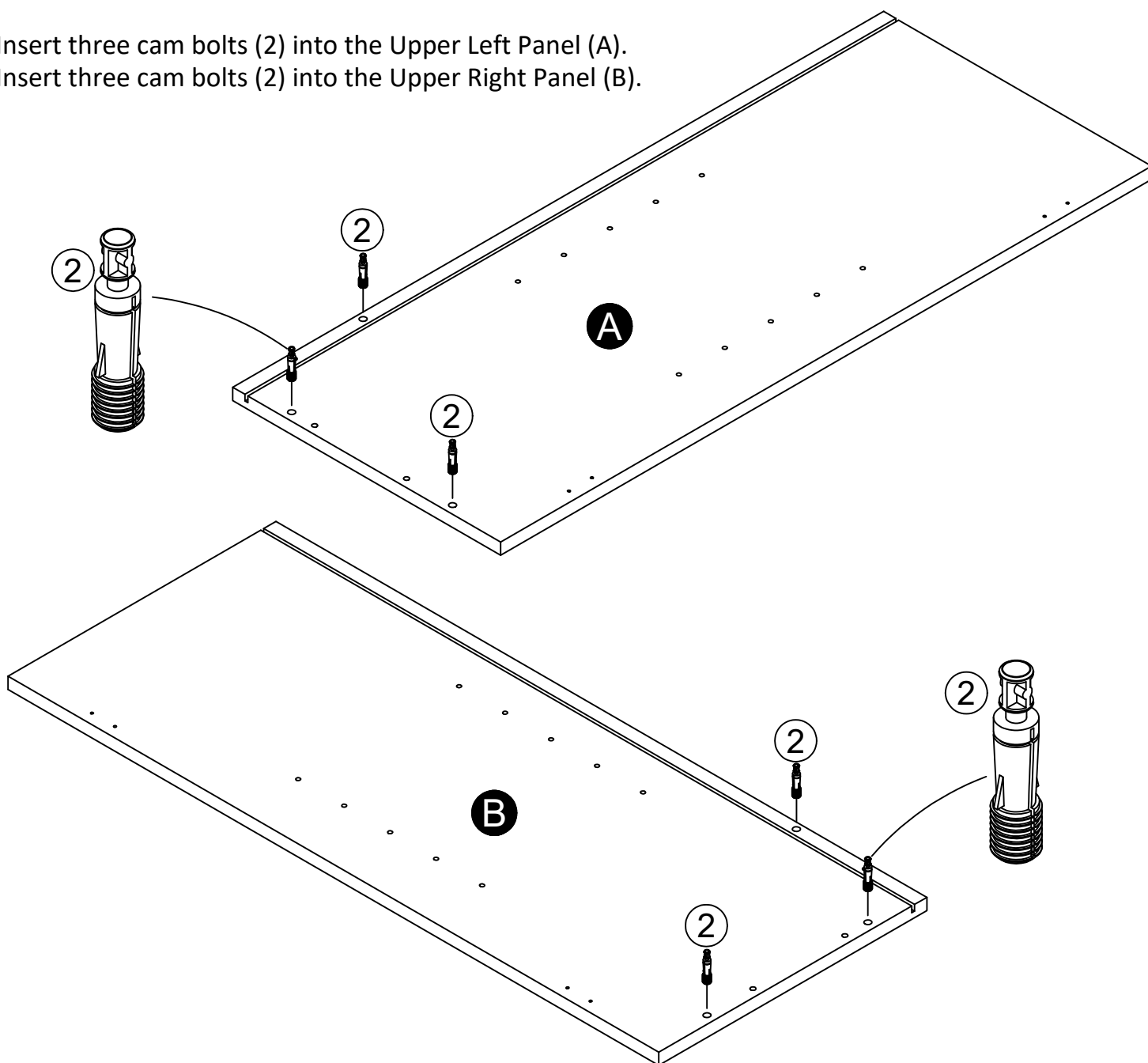


(x8)
#A60015
hinge

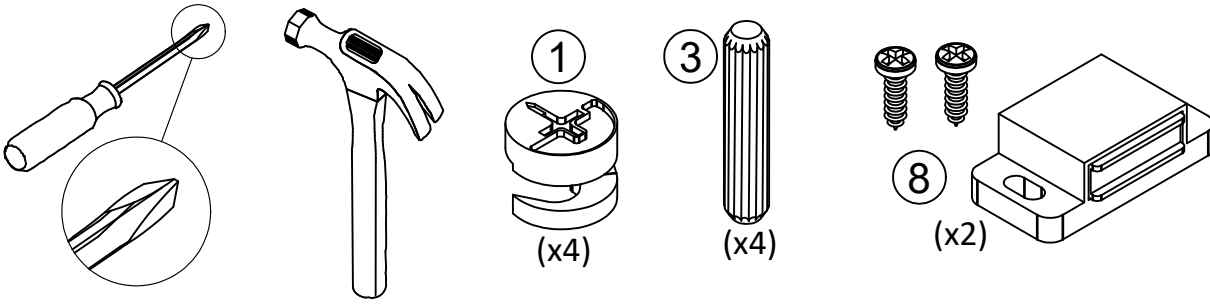
STEP 1



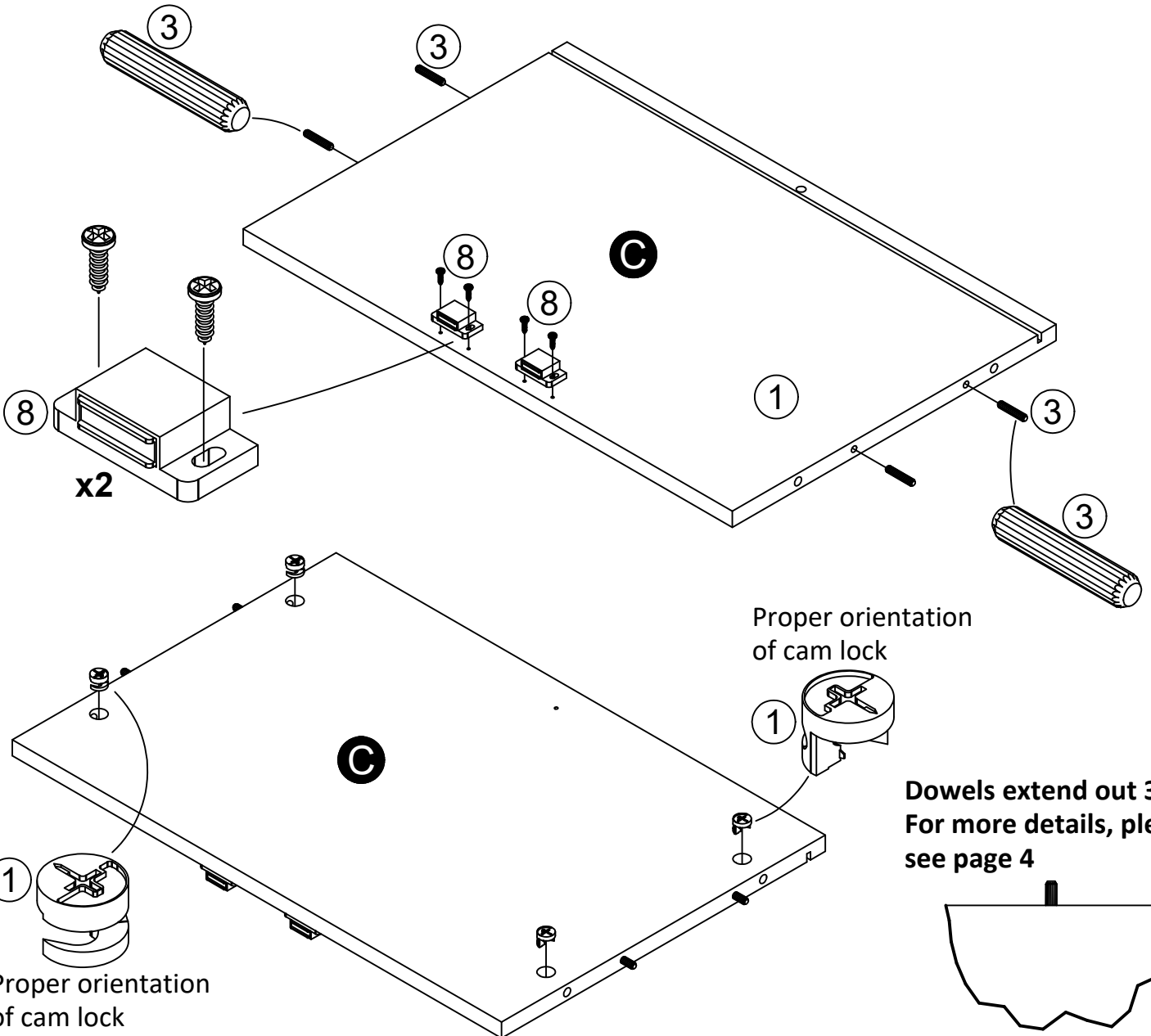
Insert three cam bolts (2) into the Upper Left Panel (A).
Insert three cam bolts (2) into the Upper Right Panel (B).



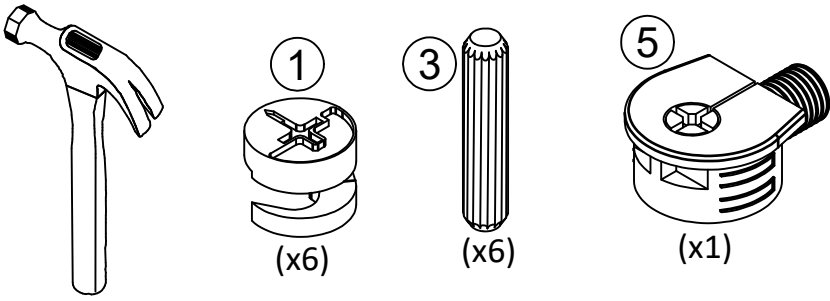
STEP 2



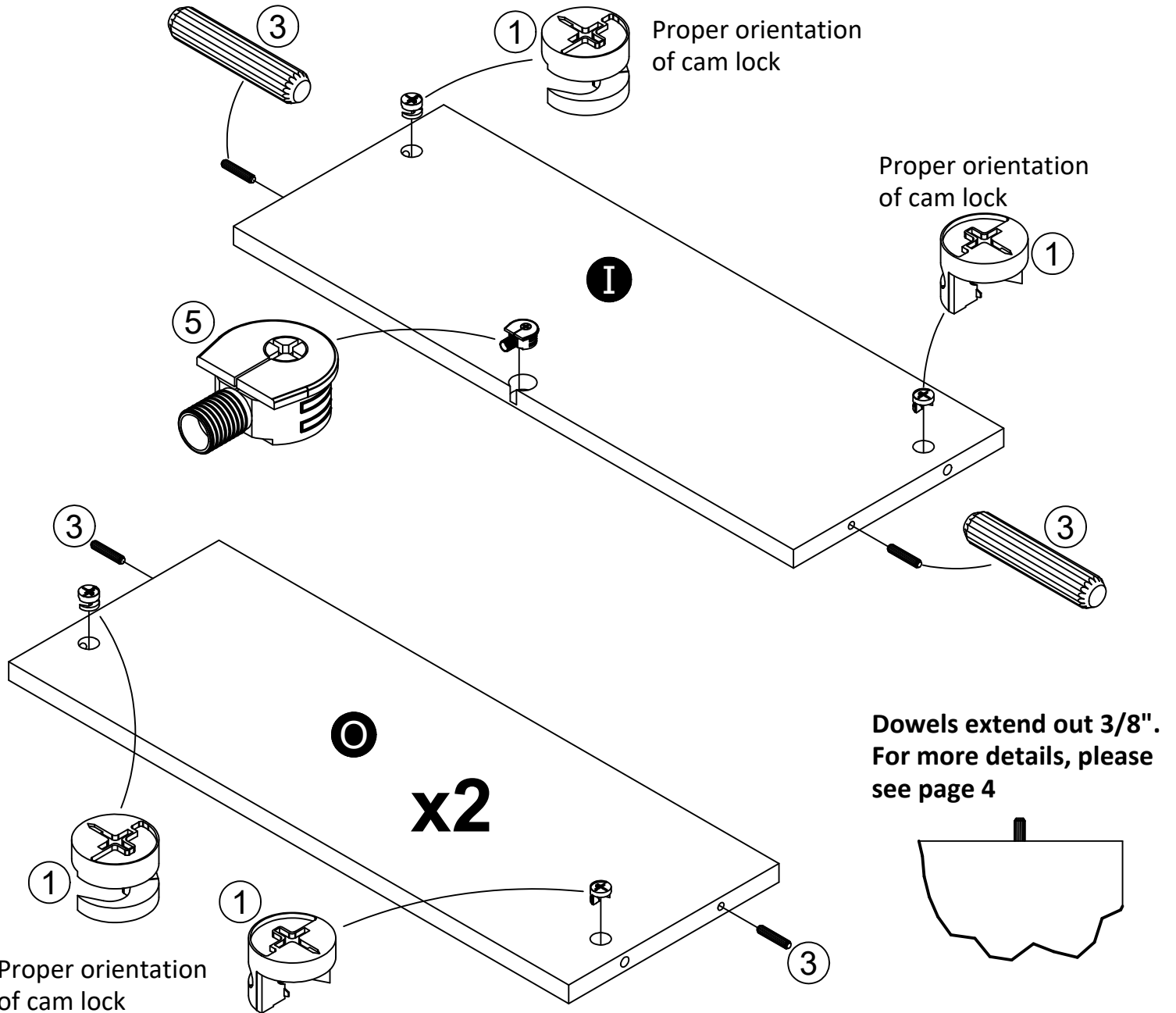
Insert four cam locks (1), four wood dowels (3) and two catch kit (8) into the Top (C).



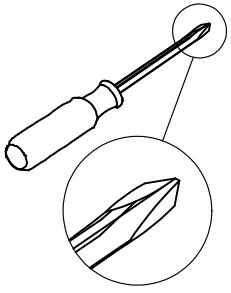
STEP 3



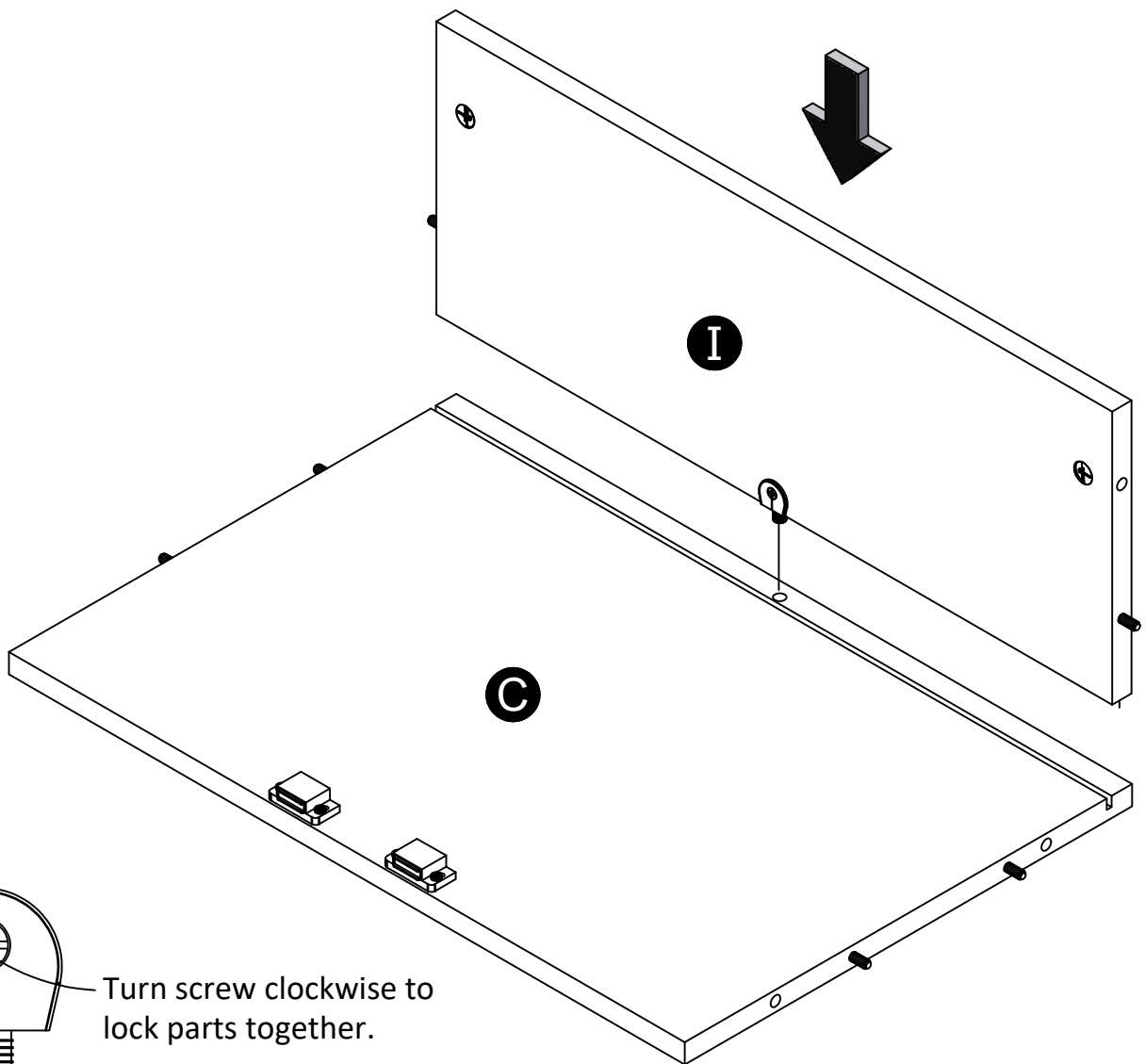
Insert six cam locks (1), six wood dowels (3) and one quickloc (5) into Top Support (I)



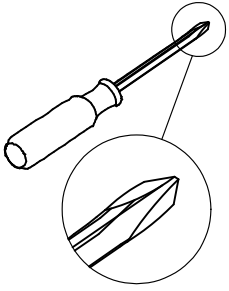
STEP 4



Position the Support (I) with the quickloc (5) so the quickloc engages the hole in the Top (C).

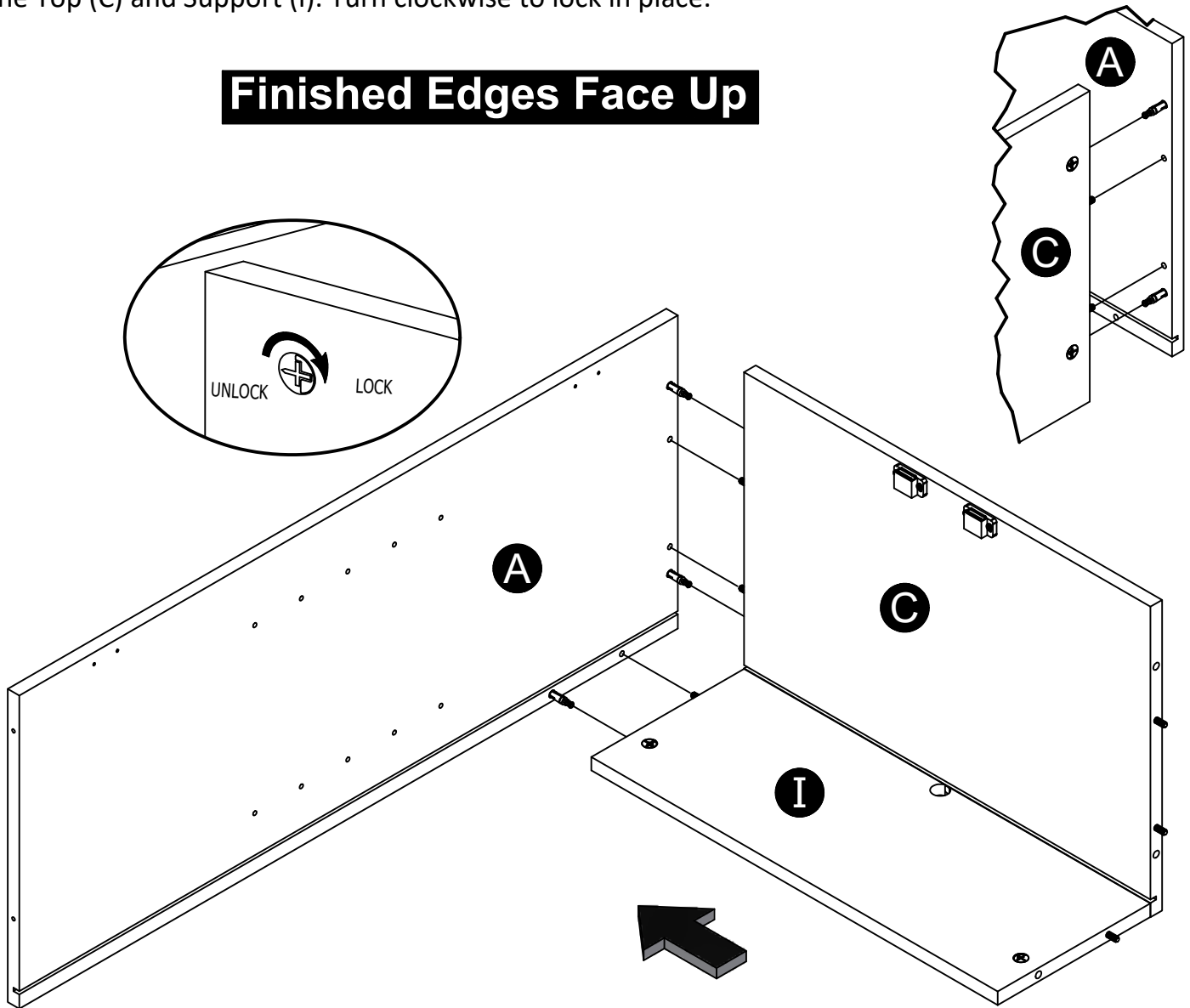


STEP 5

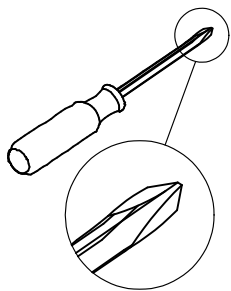


Engage the cam bolts (2) in the Upper Left Panel (A) into the cam locks (1) in the Top (C) and Support (I). Turn clockwise to lock in place.

Finished Edges Face Up

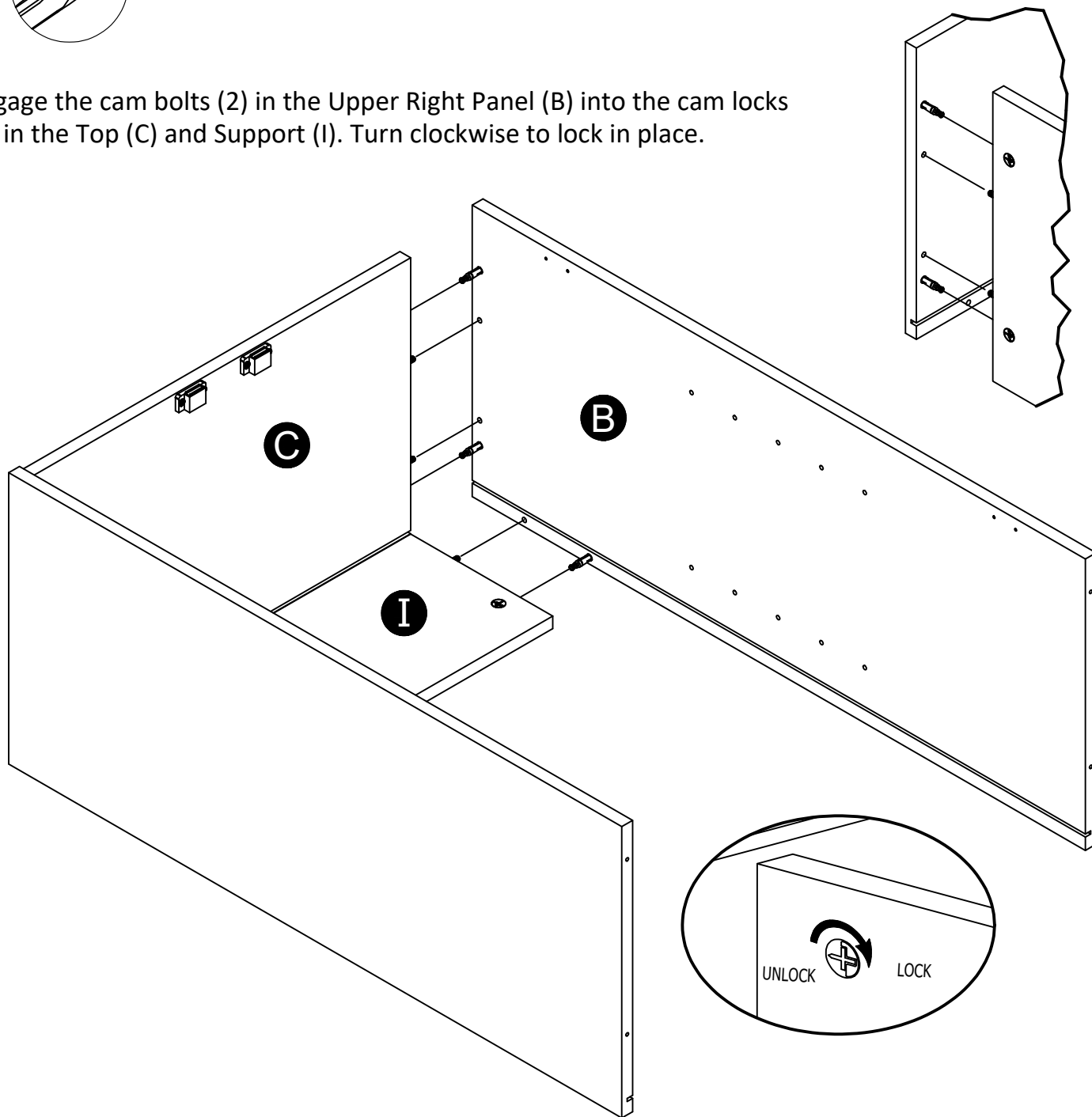


STEP 6



Finished Edges Face Up

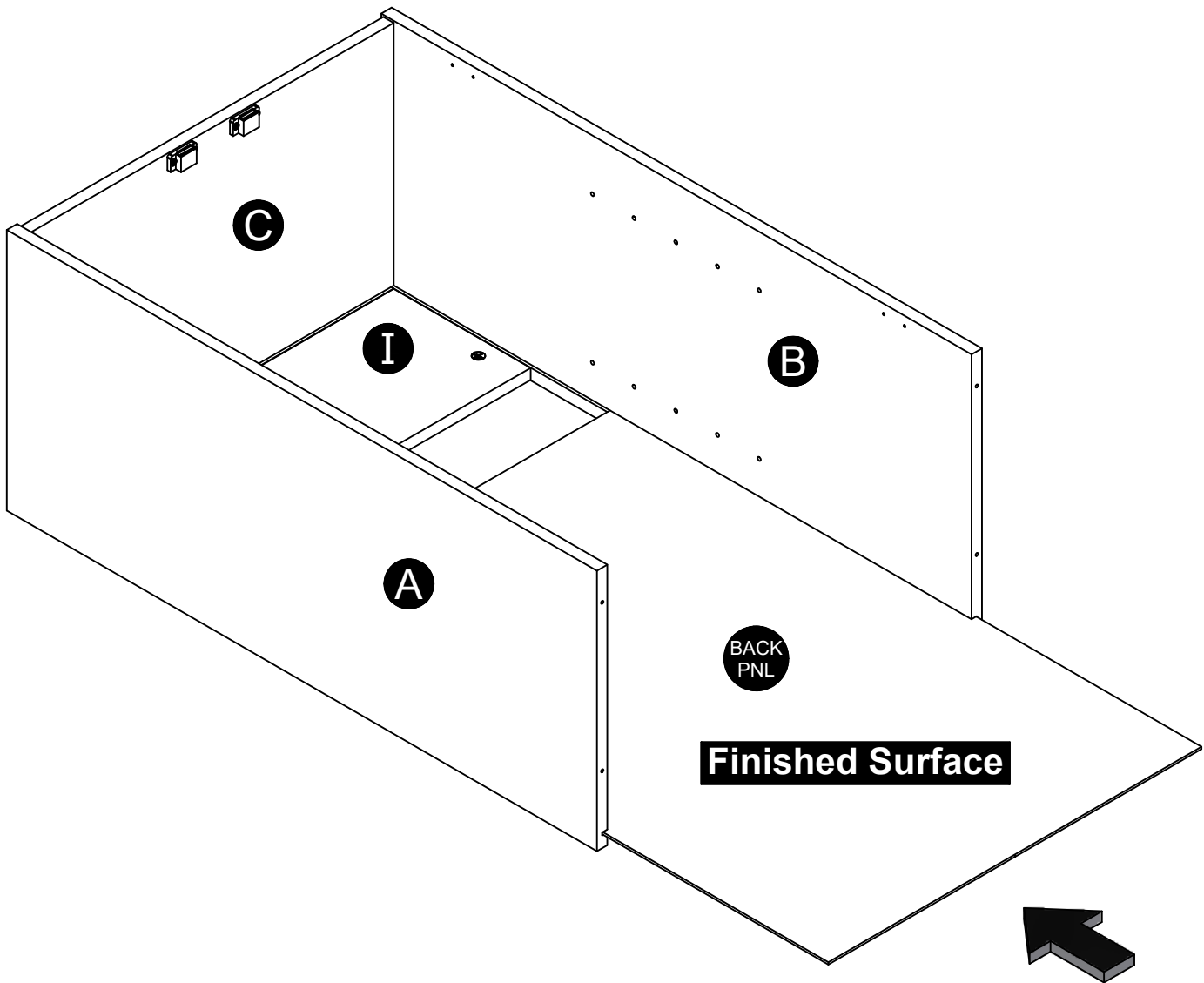
Engage the cam bolts (2) in the Upper Right Panel (B) into the cam locks (1) in the Top (C) and Support (I). Turn clockwise to lock in place.



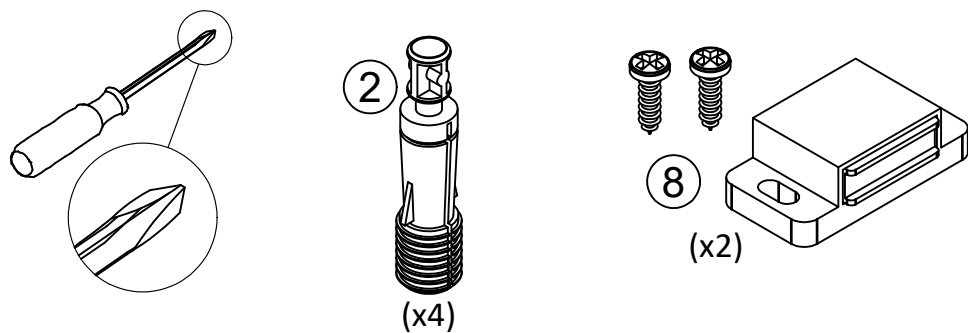
STEP 7

IMPORTANT! THE BACK PANEL IS A STRUCTURAL PART OF THIS UNIT AND MUST BE INSTALLED PROPERLY.

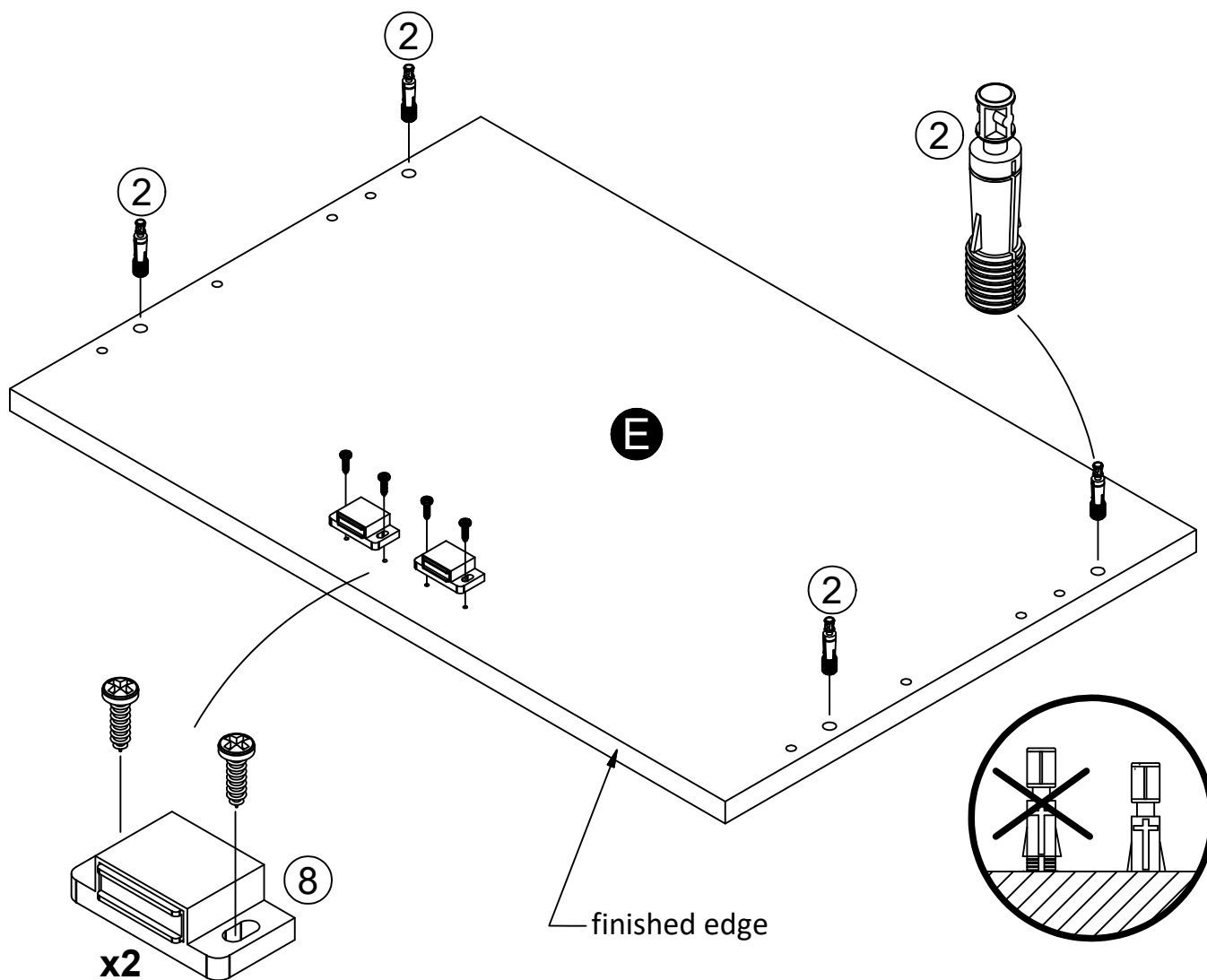
Unfold the upper back panel. With the finished surface facing up, slide the back panel into the groove in the Upper Left and Right panels (A&B) seating into the groove in the top (C). Note, the back panel will be over the Support (I).



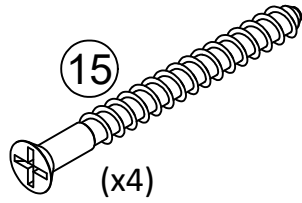
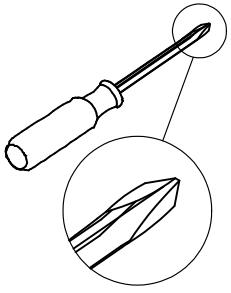
STEP 8



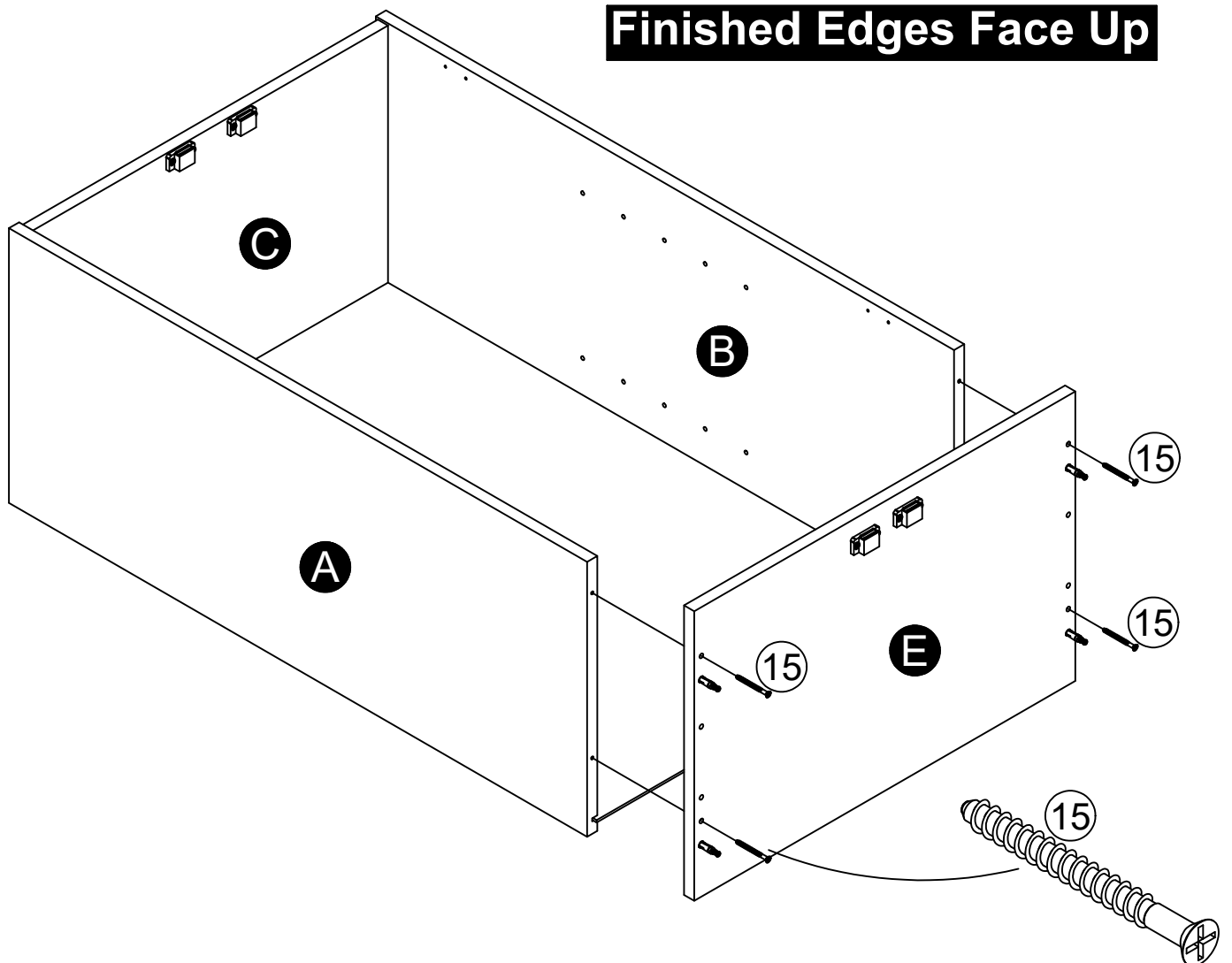
Insert four cam bolts (2) and two catch kit (8) into the Center Shelf (E).



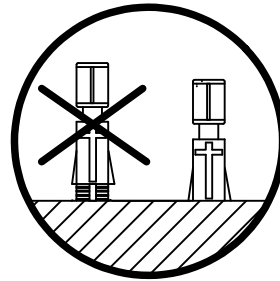
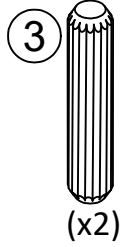
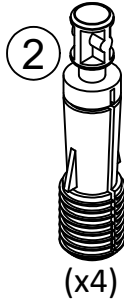
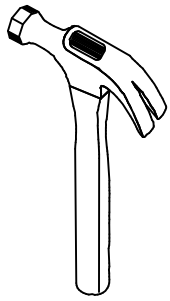
STEP 9



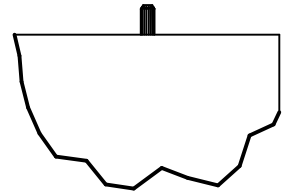
Insert four screws (15) through the Center Shelf (E) and into both the Upper Left Panel (A) and the Upper Right Panel (B).
The bottom edge of the upper back panel will insert into the groove of the Center Shelf (E).



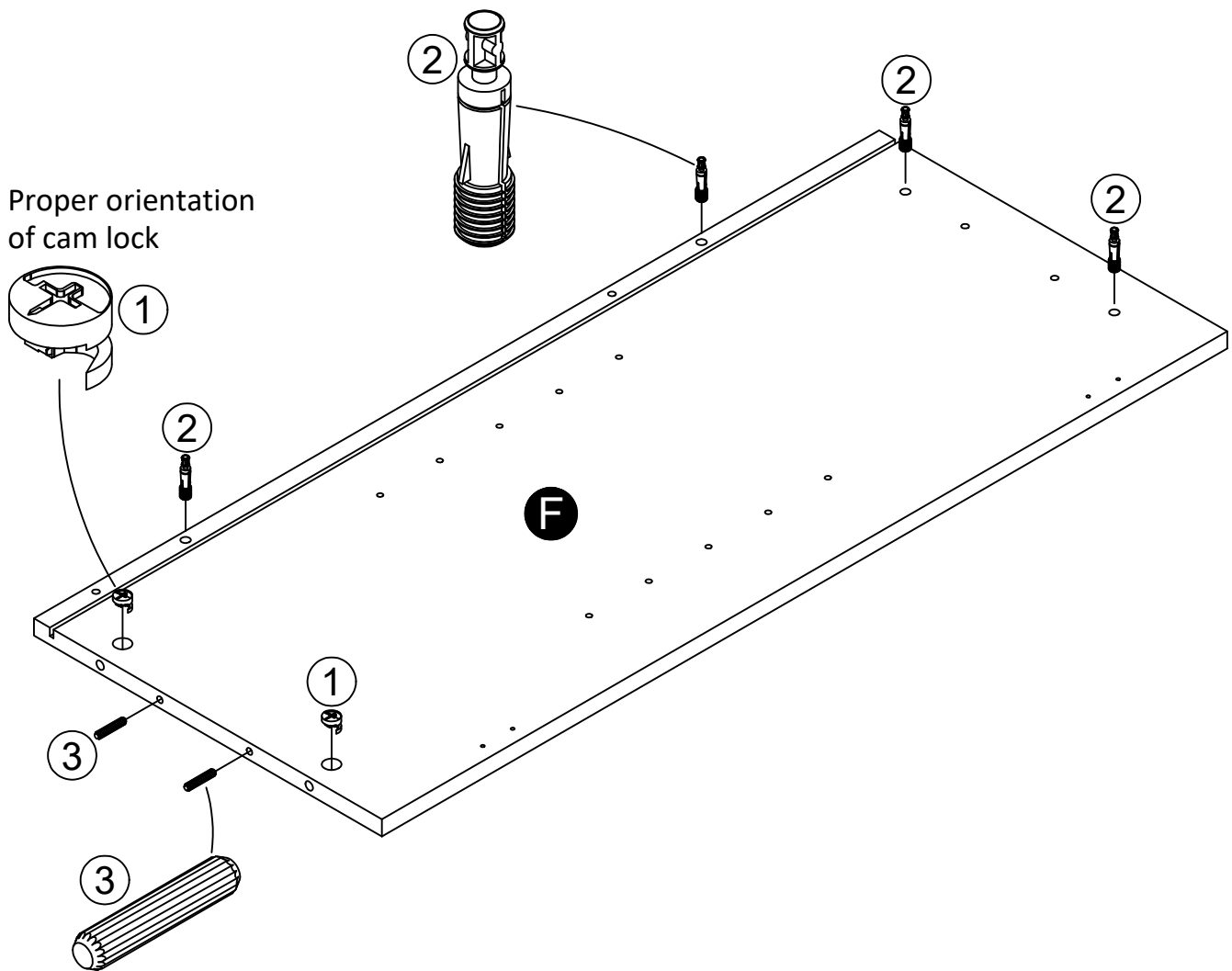
STEP 10



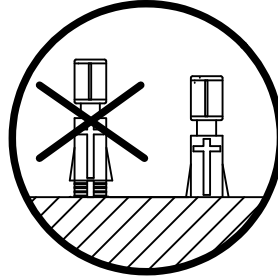
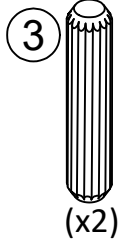
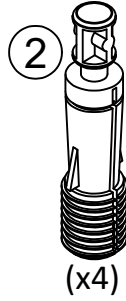
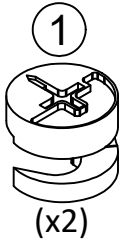
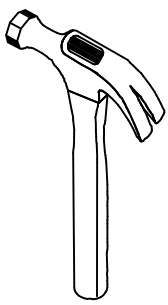
Dowels extend out 3/8".
For more details, please
see page 4



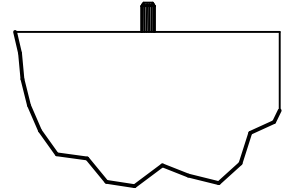
Insert two cam locks (1), four cam locks (2) and two wood dowels (3) into the Lower Left Panel (F).



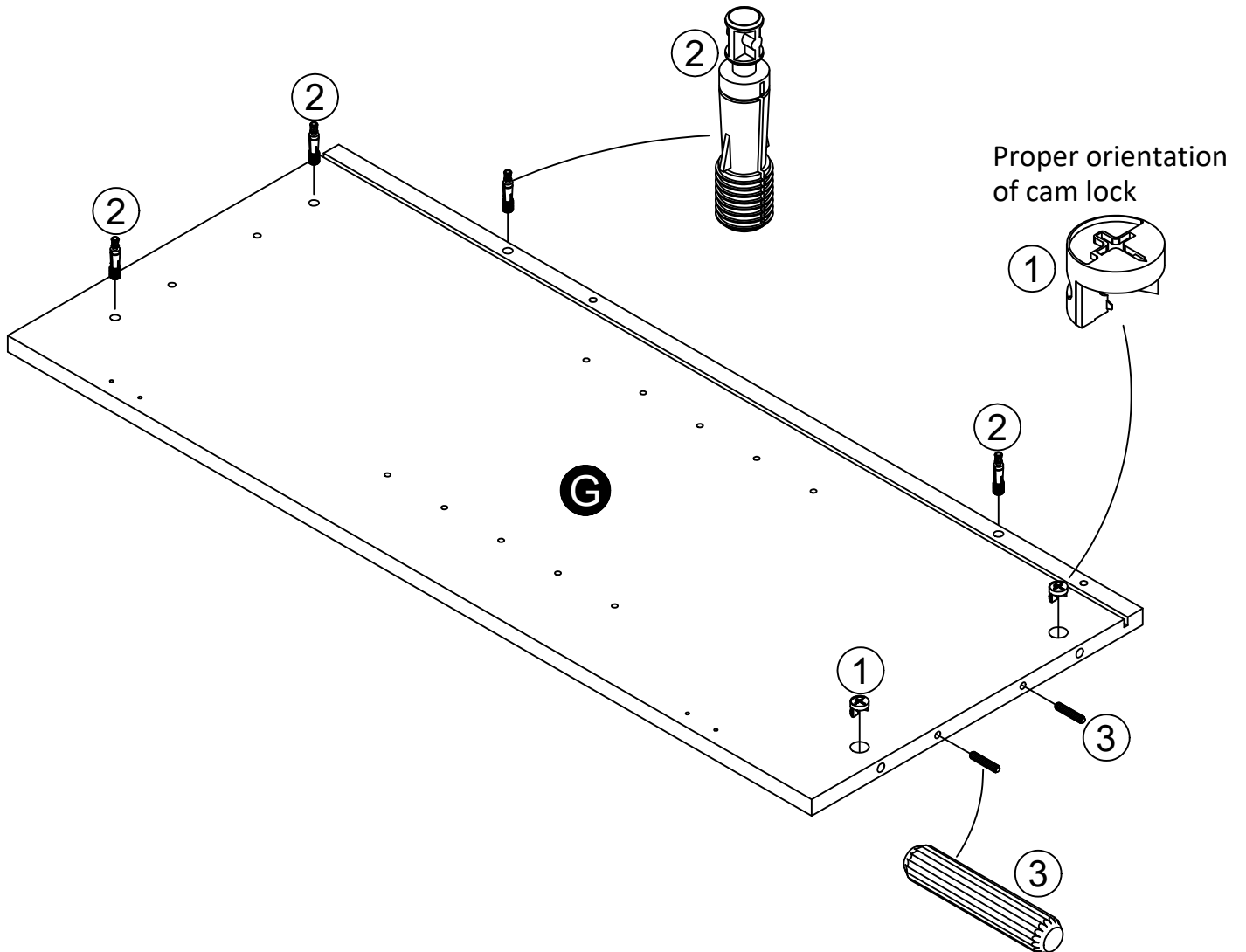
STEP 11



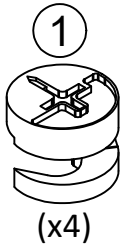
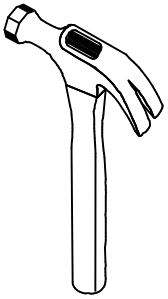
Dowels extend out 3/8".
For more details, please
see page 4



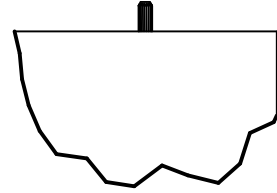
Insert two cam locks (1), four cam locks (2) and two wood dowels (3) into the Lower Right Panel (G).



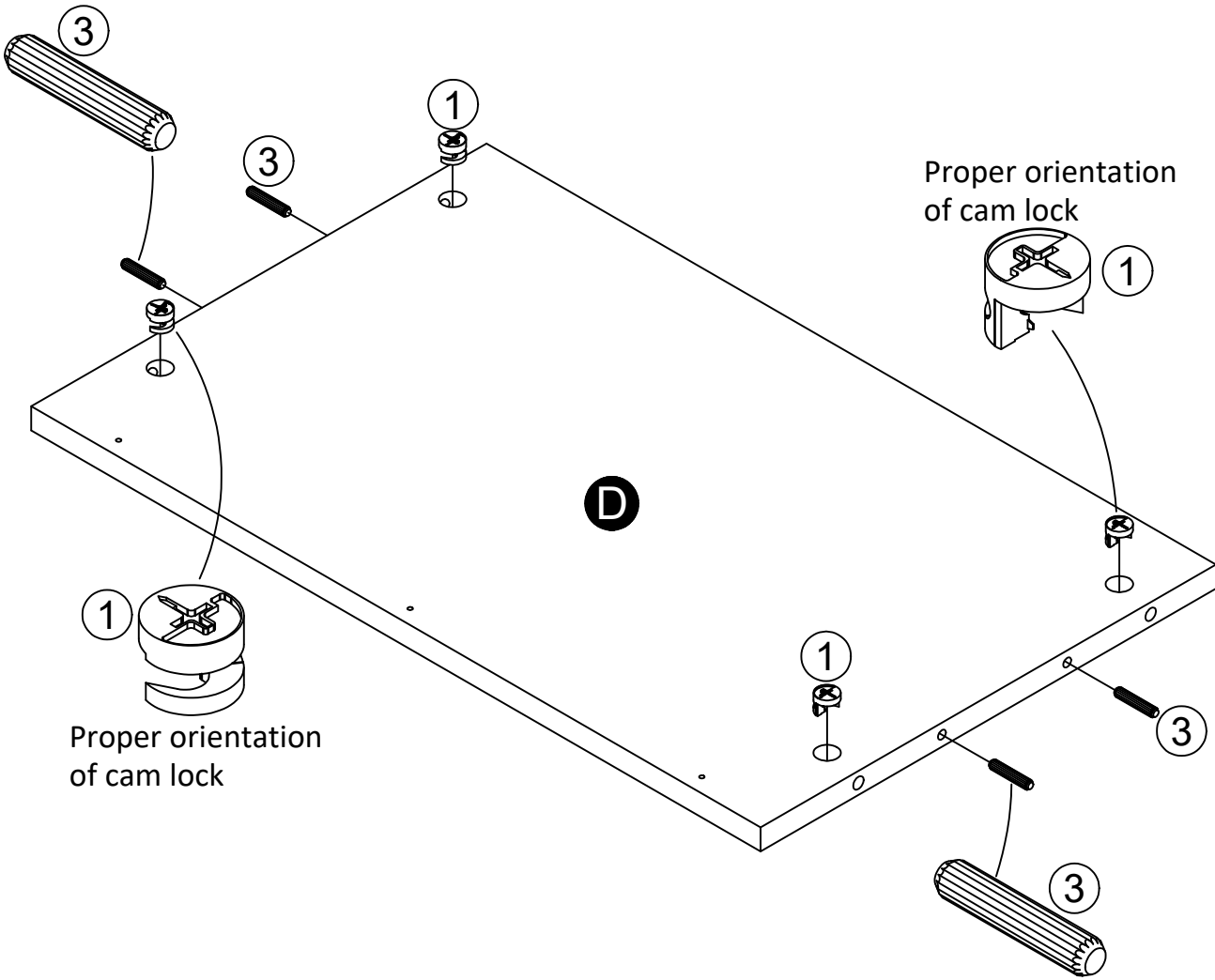
STEP 12



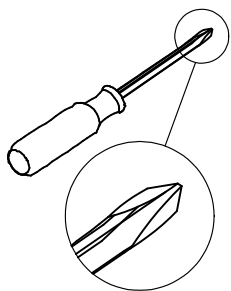
Dowels extend out 3/8".
For more details, please
see page 4



Insert four cam locks (1) and four wood dowels (3) into the Bottom (D).

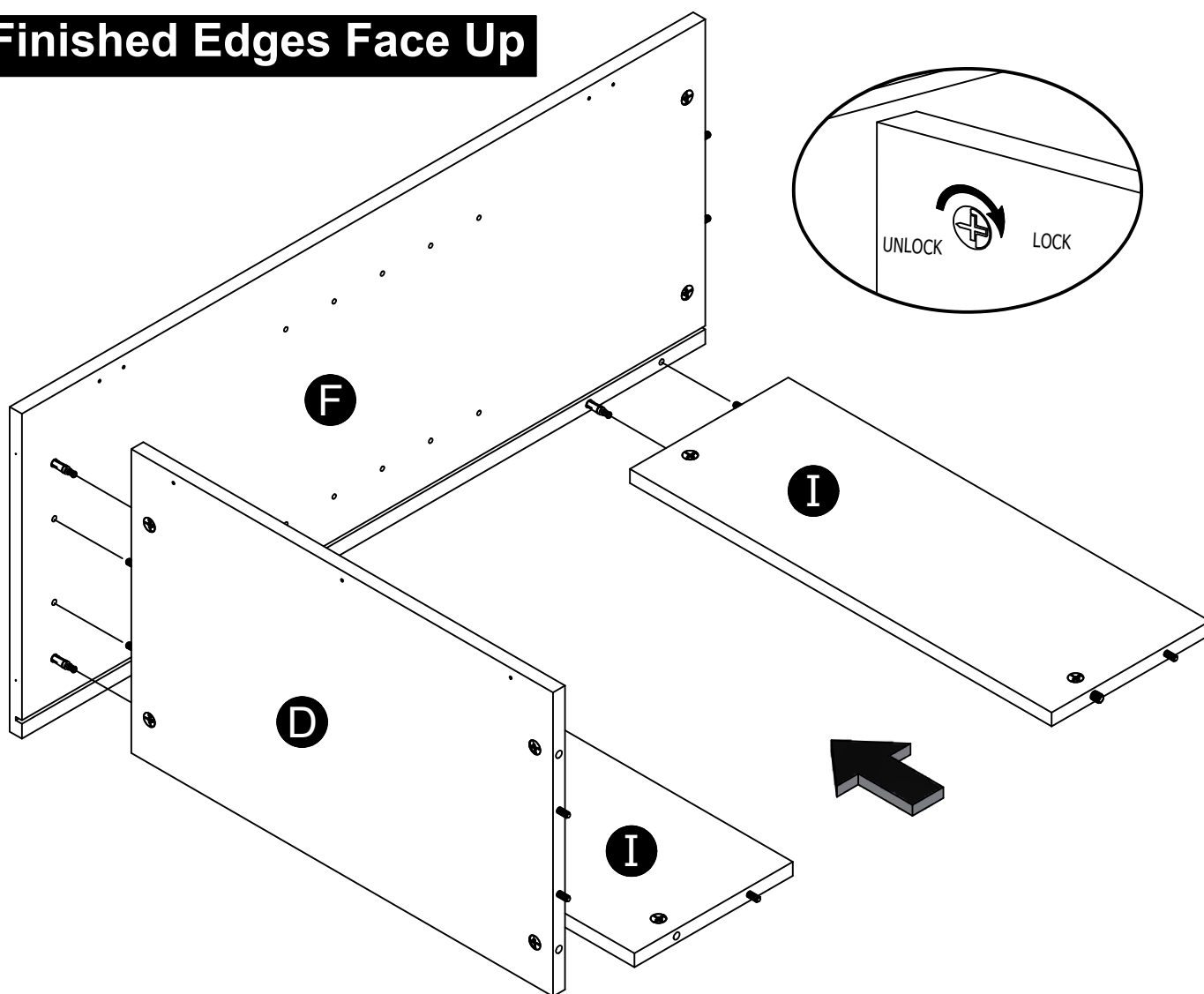


STEP 13

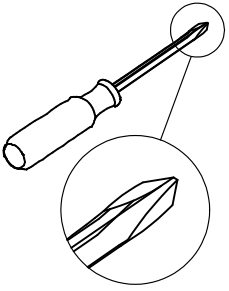


Engage the cam bolts (2) in the Lower Left Panel (F) into the cam locks (1) in the Bottom (D) and two Support (I). Turn clockwise to lock in place.

Finished Edges Face Up

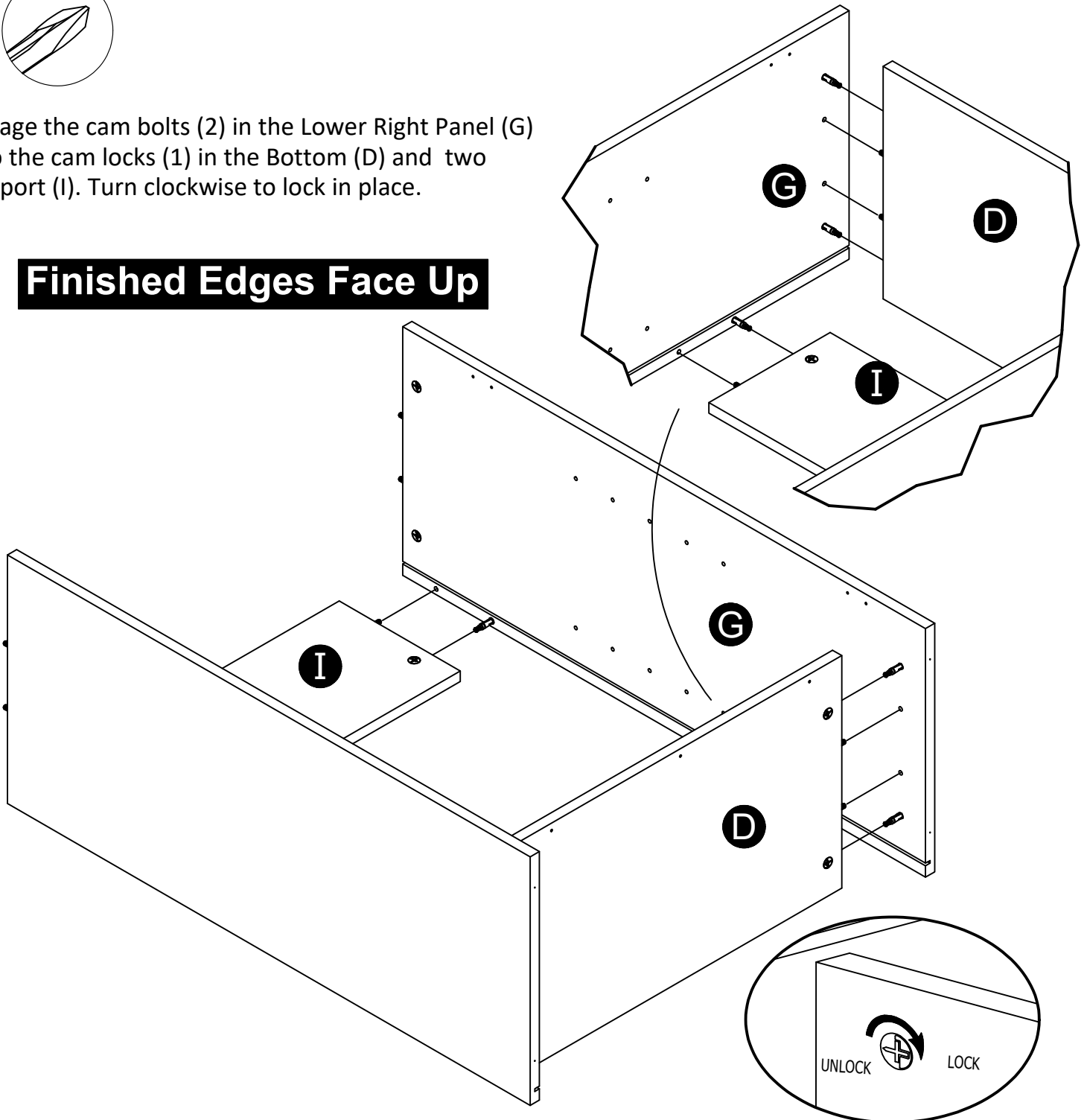


STEP 14

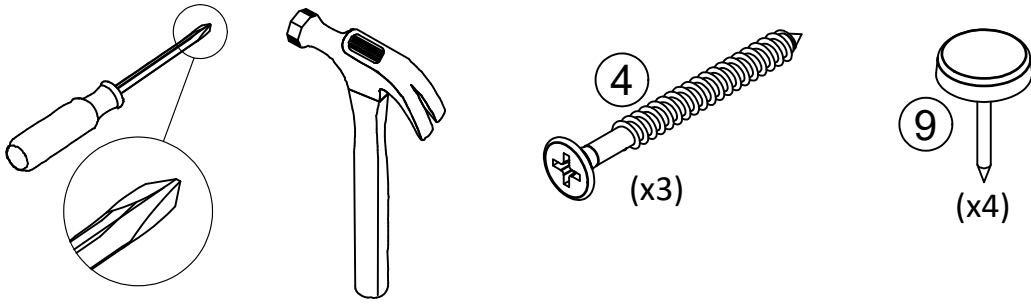


Engage the cam bolts (2) in the Lower Right Panel (G) into the cam locks (1) in the Bottom (D) and two Support (I). Turn clockwise to lock in place.

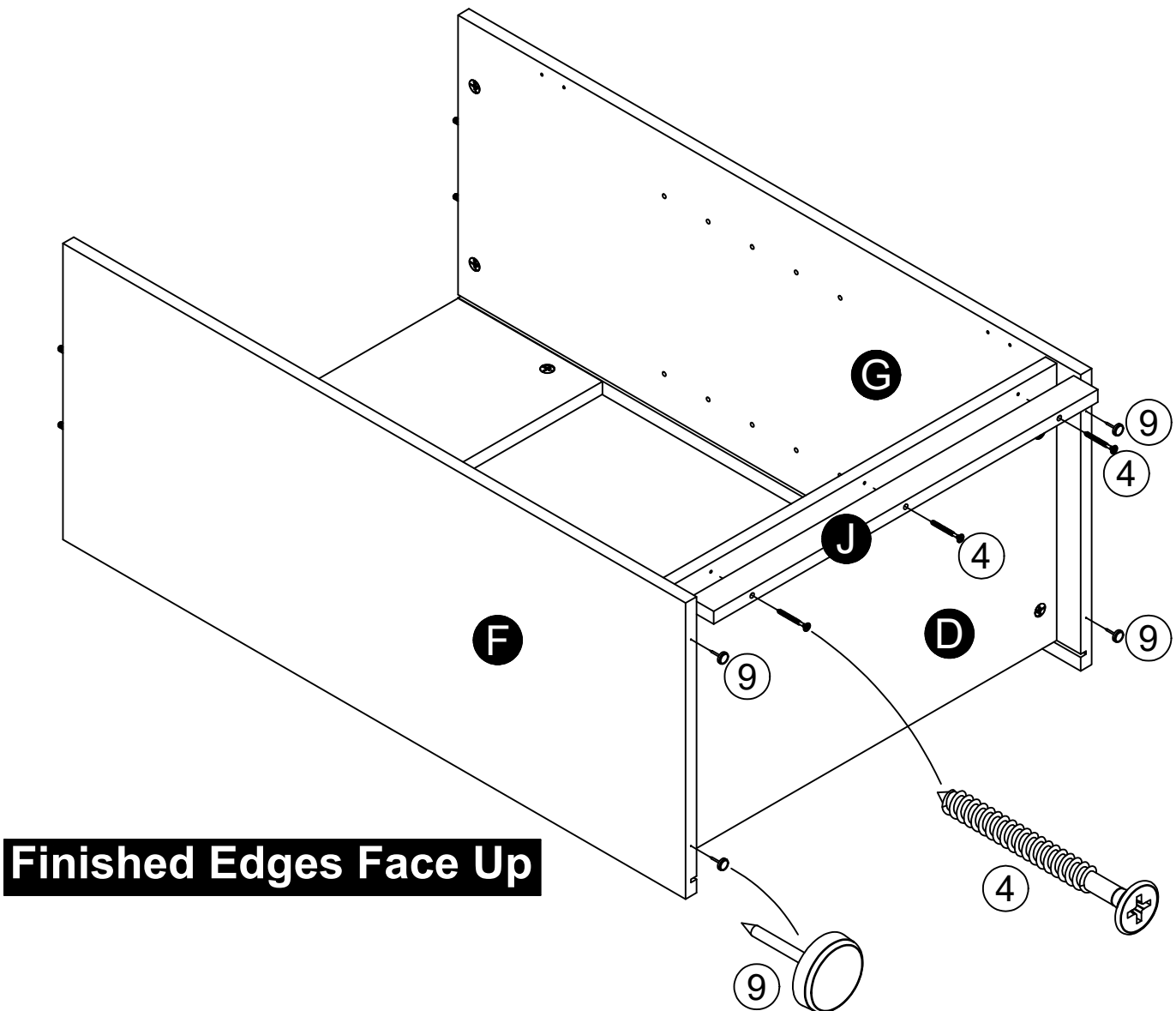
Finished Edges Face Up



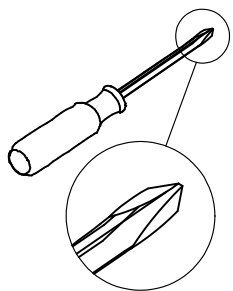
STEP 15



Insert three screws (4) through the Kick (J) and into the holes in the Bottom (D). Using a hammer, attach two Tack Glides (9) to the Lower Left Panel (F) and two to the Lower Right Panel (G).

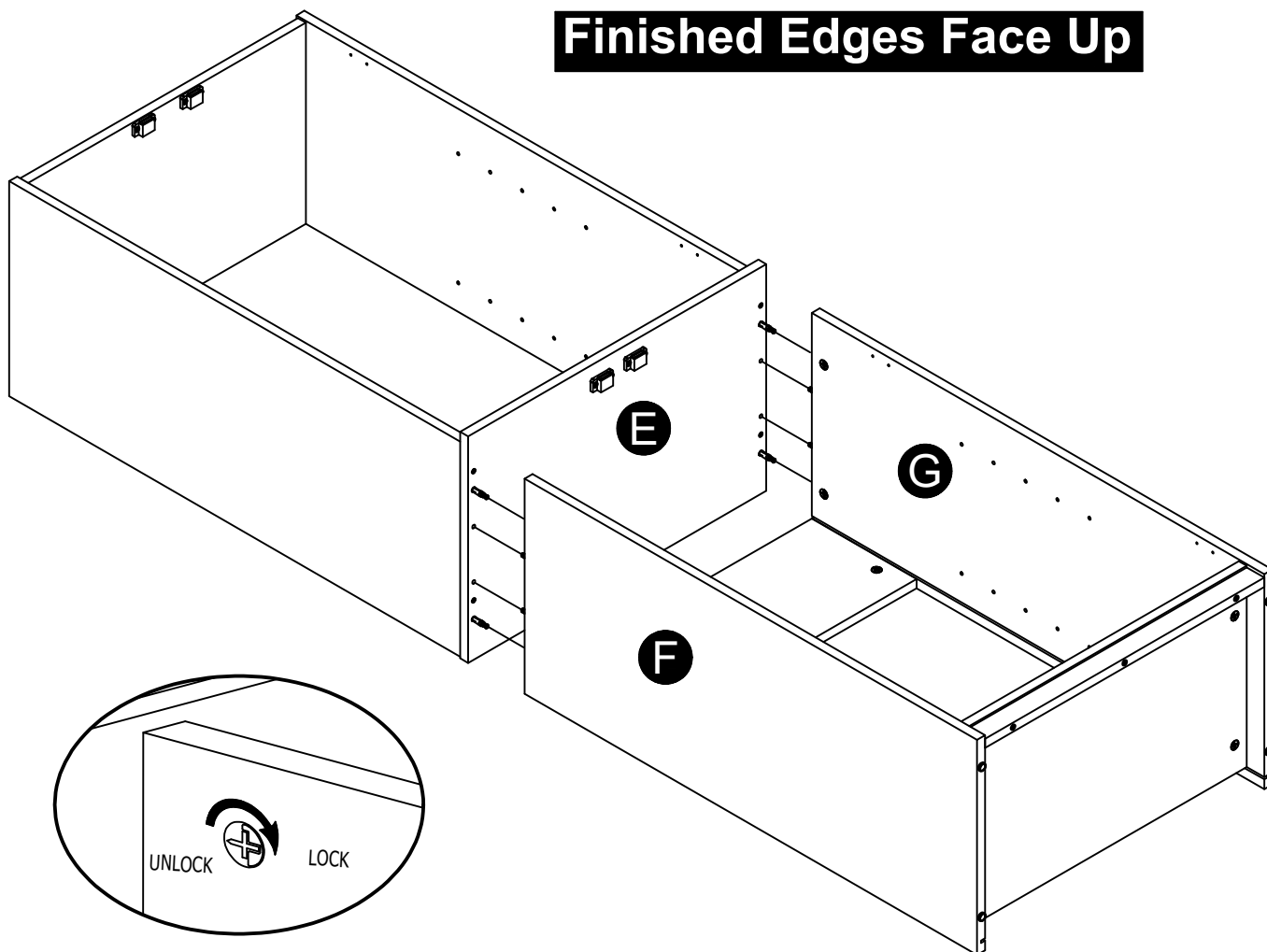


STEP 16



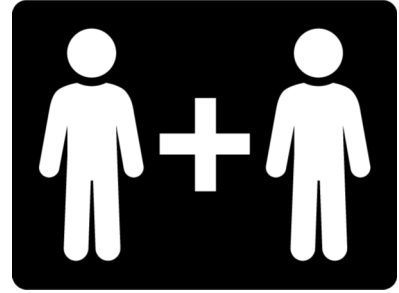
Engage the cam bolts (2) in the Center Shelf (E) into the cam locks (1) in the Lower Left Panel (F) and Lower Right Panel (G). Turn clockwise to lock in place.

Finished Edges Face Up



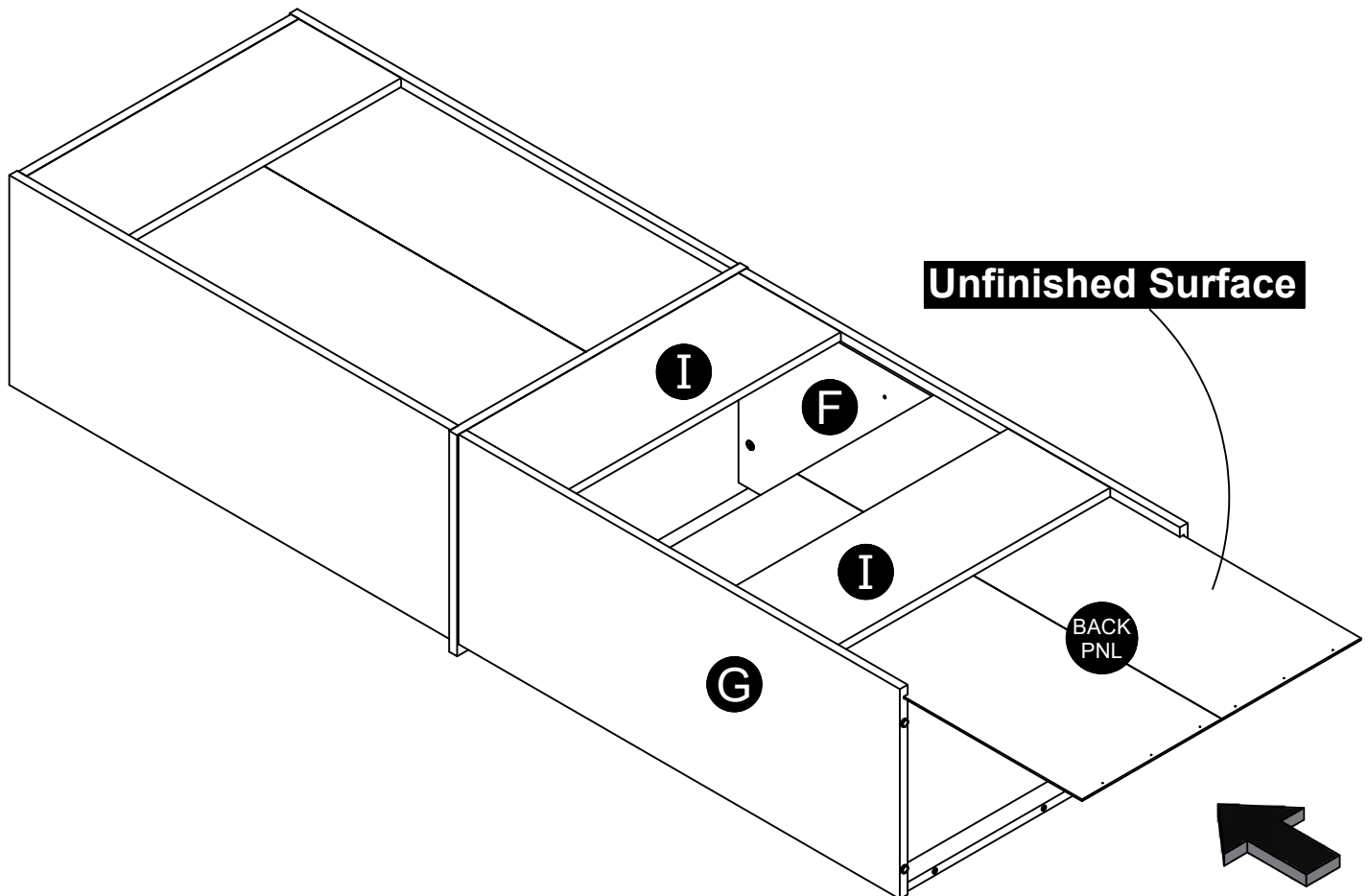
STEP 17

IMPORTANT! THE BACK PANEL IS A STRUCTURAL PART OF THIS UNIT AND MUST BE INSTALLED PROPERLY.

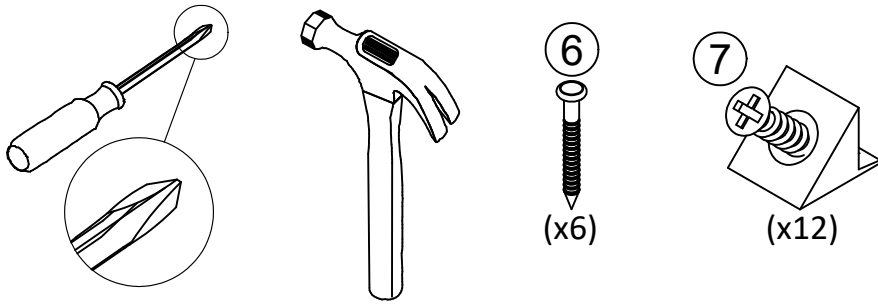


Carefully turn the unit onto its front.

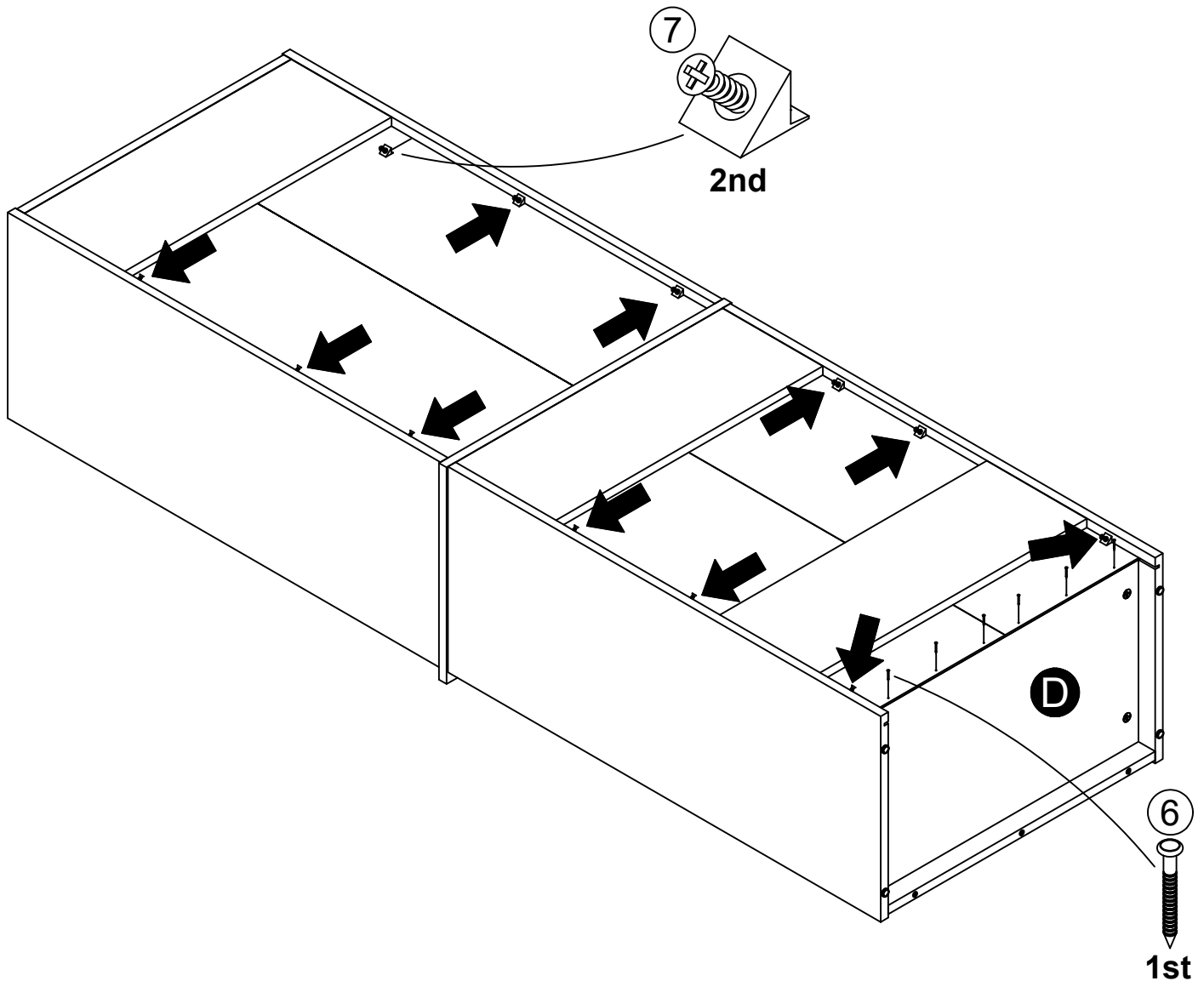
Unfold the Lower Back Panel. With the finished surface facing down, slide the back panel into the groove in the Lower Left and Right Panels (F&G) butting up to the bottom of Center Shelf (E). Note, the back panel will be under the supports.



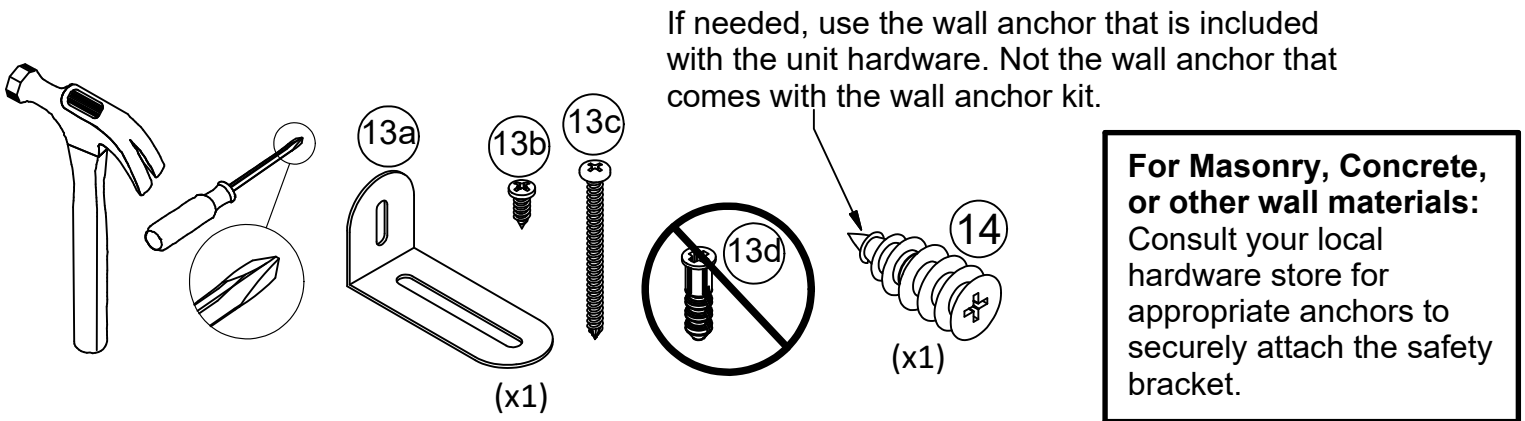
STEP 18



Attach the bottom Back Panel to back edge of Bottom (D) using six nails (6). Position the twelve wedges (7) on the Back Panels and slide the lip into the groove. Tighten screw to lock in place.



STEP 19



IMPORTANT: THIS UNIT MUST BE SECURE TO THE WALL TO HELP PREVENT TIPOVER. FOLLOW THESE INSTRUCTIONS TO INSTALL THE ANTI-TIPPING SAFETY BRACKET PROVIDED WITH THIS PRODUCT.

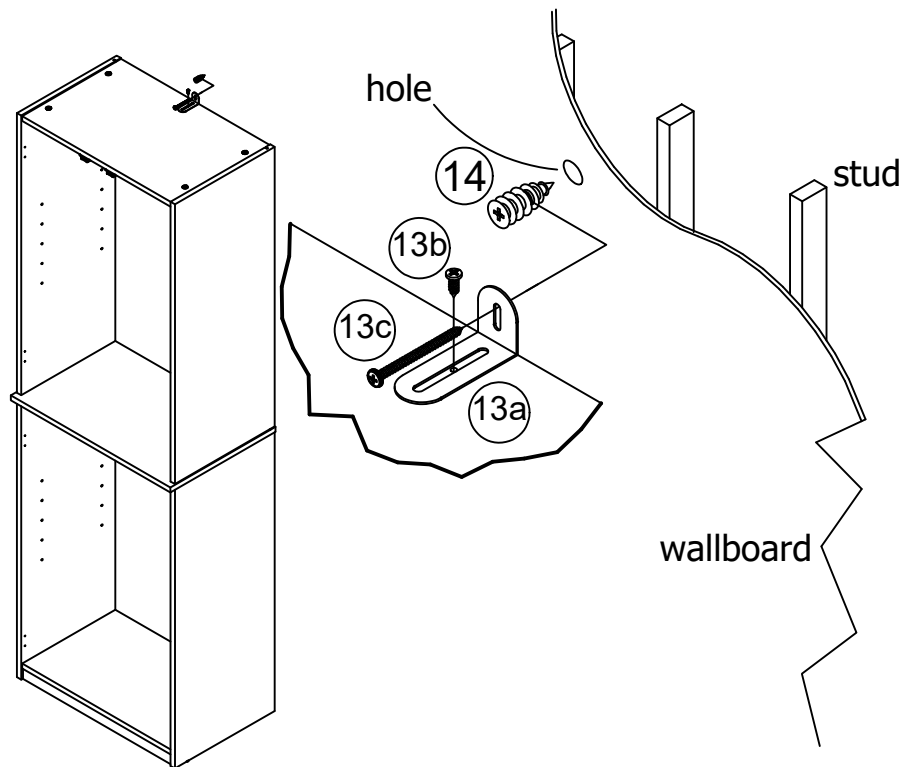
WARNING

Serious or fatal crushing injuries can occur from furniture tipover.

To prevent tipover:

- * Install tipover restraint provided
- * Place heaviest items in the lowest drawers
- * Unless specifically designed to accommodate, do not set TVs or other heavy objects on the top of this product
- * Never allow children to climb or hang on drawers, door, or shelves
- * Never open more than one drawer at a time

Use of tipover restraints may only reduce, but not eliminate the risk of tipover



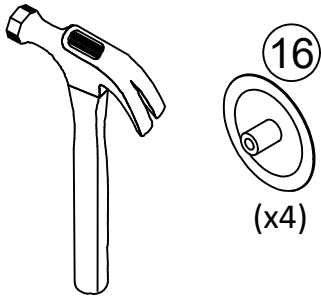
OPTION 1: Attachment into a wall stud (preferred method)

Using a stud finder, locate a stud in the wall. Place your unit against the wall, with the safety bracket aligned in this location. To make driving the screw easier, you can drill a 1/8" diameter pilot hole (3mm) through the safety bracket into the stud. Drive the screw through the safety bracket into the wall stud.

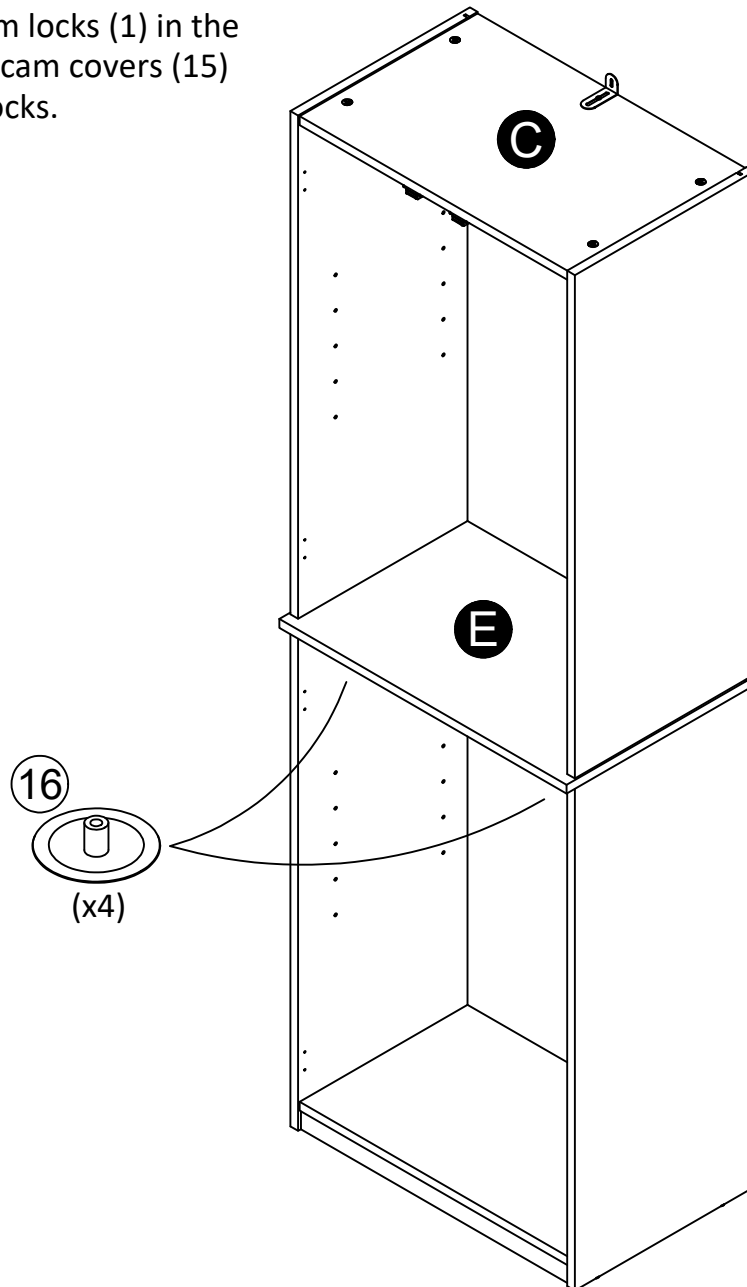
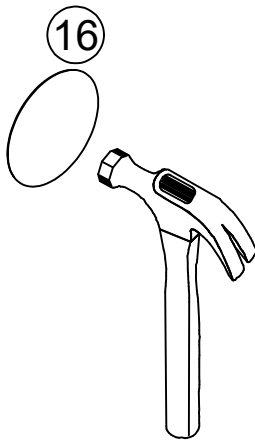
OPTION 2: Attachment into drywall

Locate your unit where desired against a wall and mark the wall through the safety bracket, then move your unit aside. Drill a 3/16" diameter hole (5mm) into the wallboard. Tap the wall anchor into the hole until it is flush. Move your unit into location and fasten the wall bracket to the wall anchor with the screw.

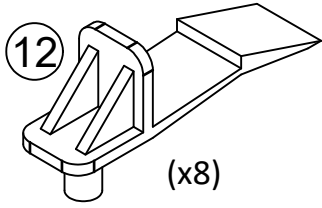
STEP 20



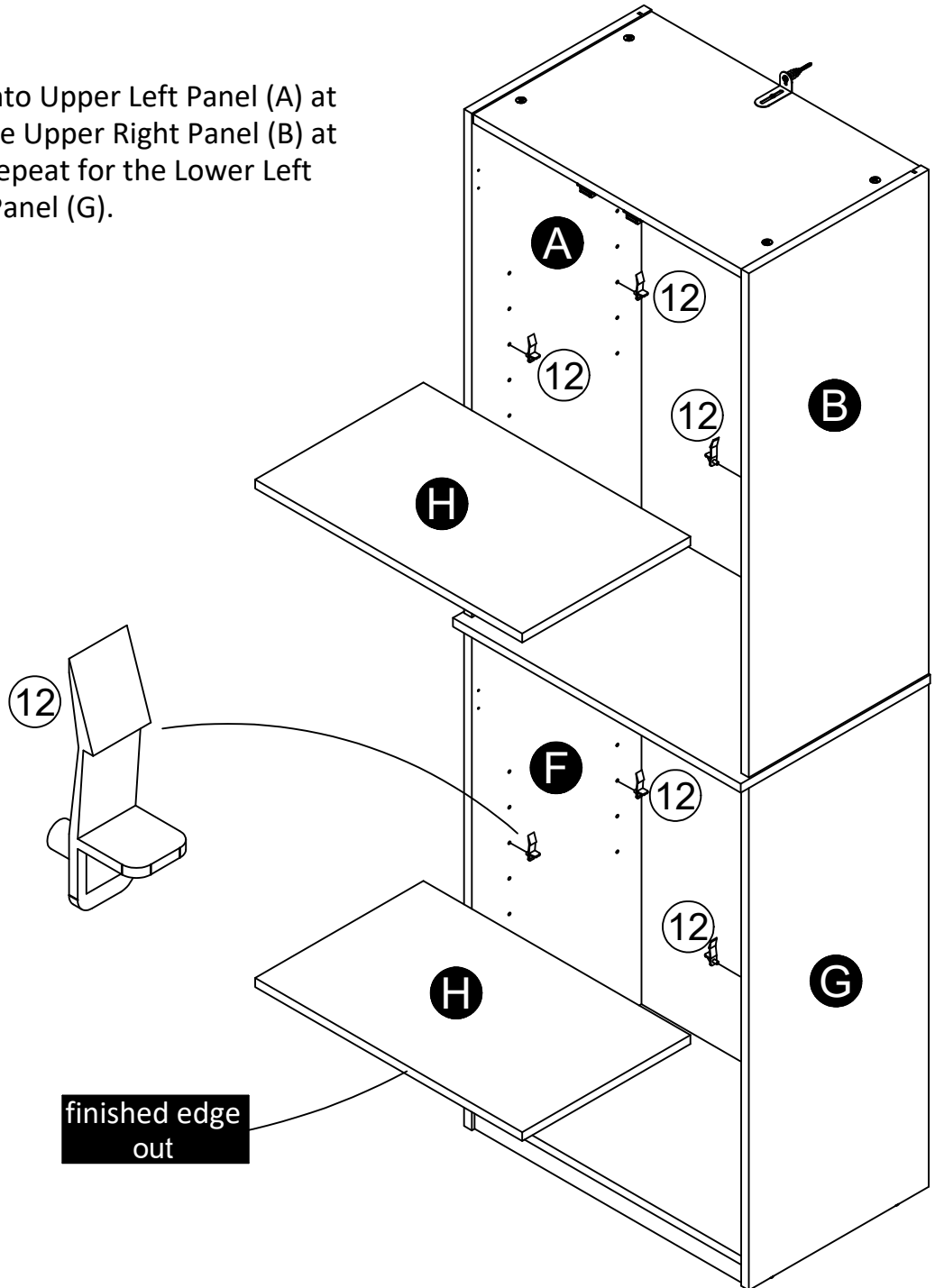
Insert the cam covers (16) into the cam locks (1) in the Fixed Shelf (E). You'll need to tap the cam covers (15) lightly to securely fasten to the cam locks.



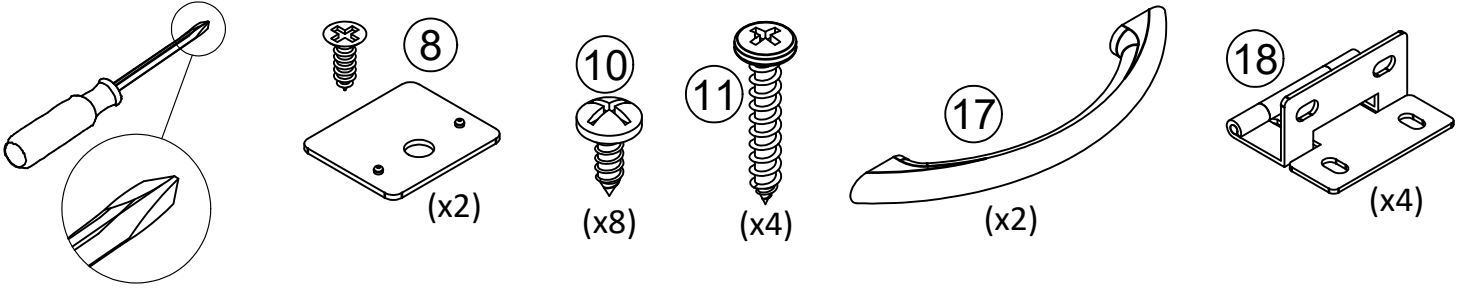
STEP 21



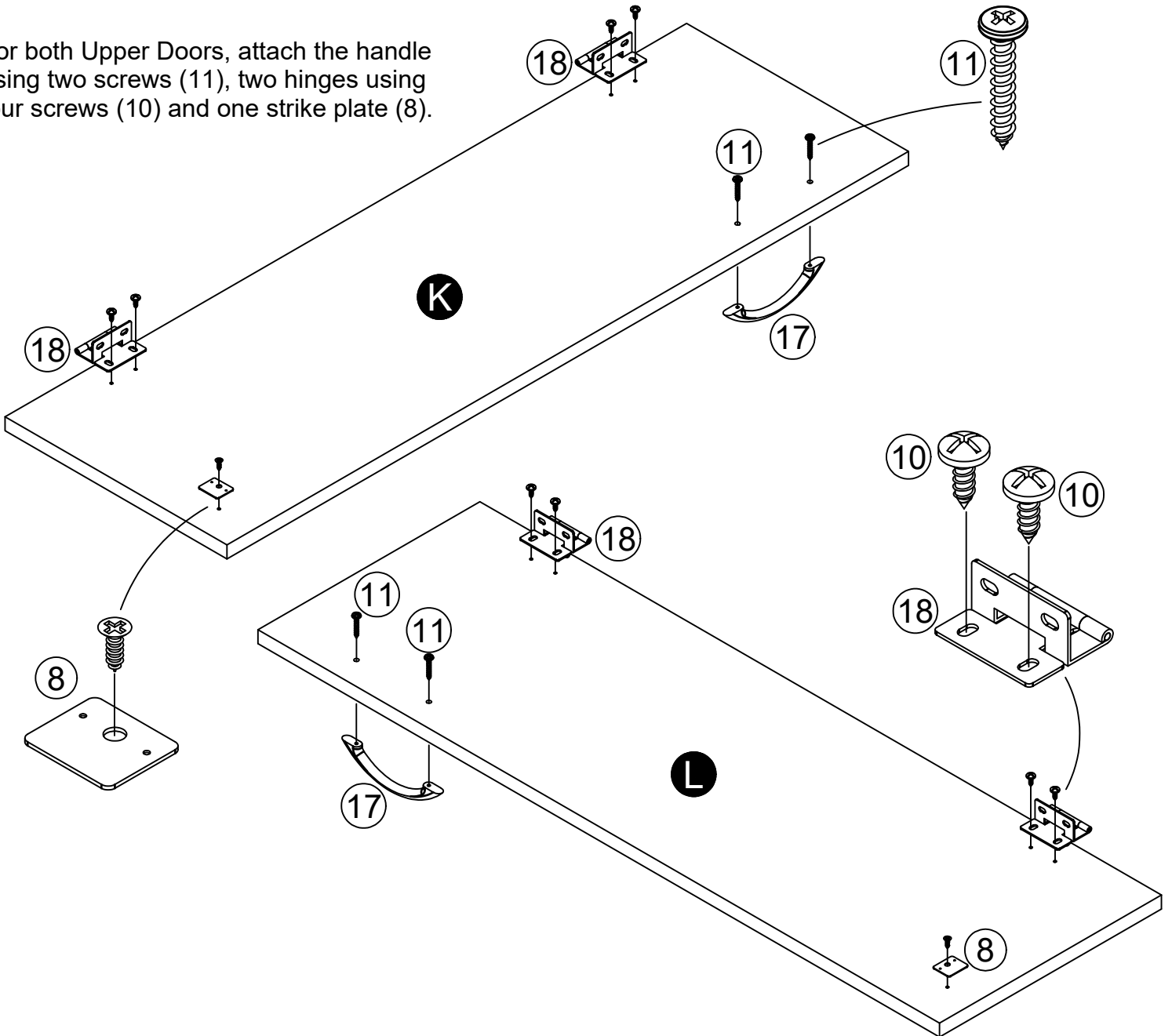
Insert two shelf grippers (12) into Upper Left Panel (A) at the desired level. Repeat for the Upper Right Panel (B) at the same desired level. Then repeat for the Lower Left Panel (F) and the Lower Right Panel (G).



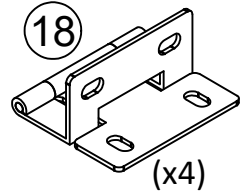
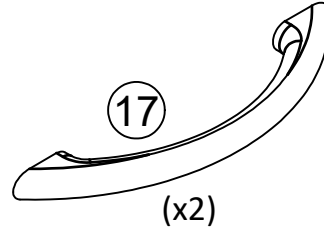
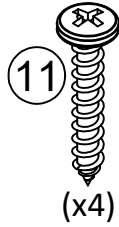
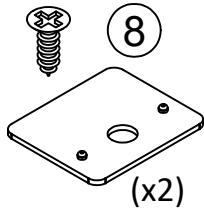
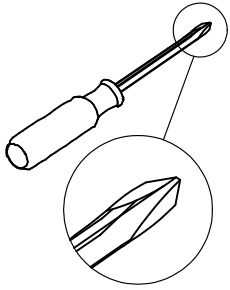
STEP 22



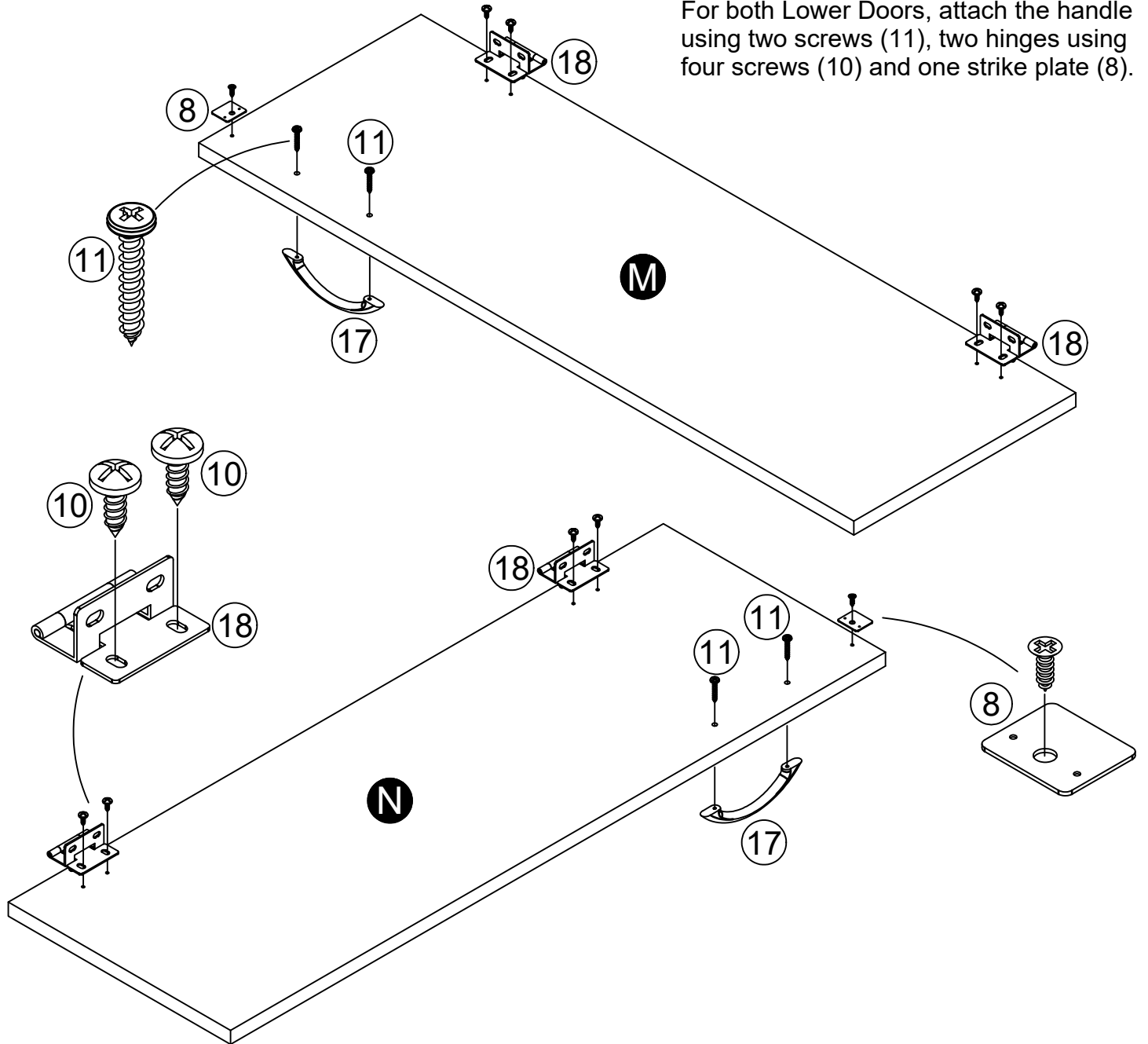
For both Upper Doors, attach the handle using two screws (11), two hinges using four screws (10) and one strike plate (8).



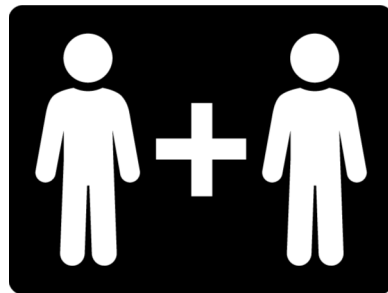
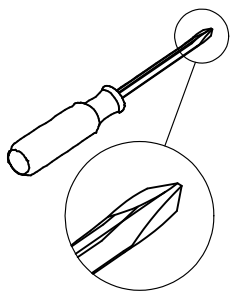
STEP 23



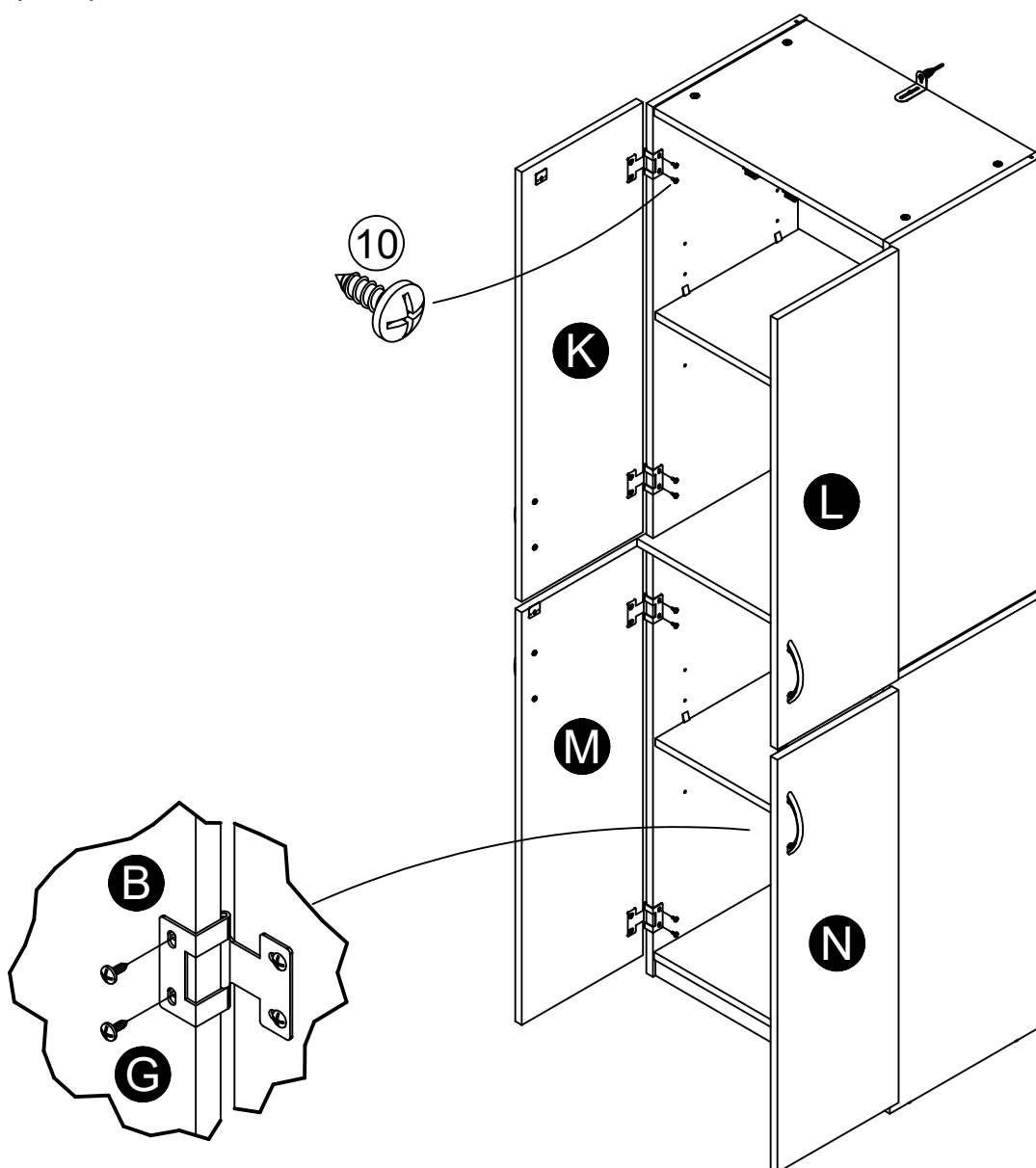
For both Lower Doors, attach the handle using two screws (11), two hinges using four screws (10) and one strike plate (8).



STEP 24

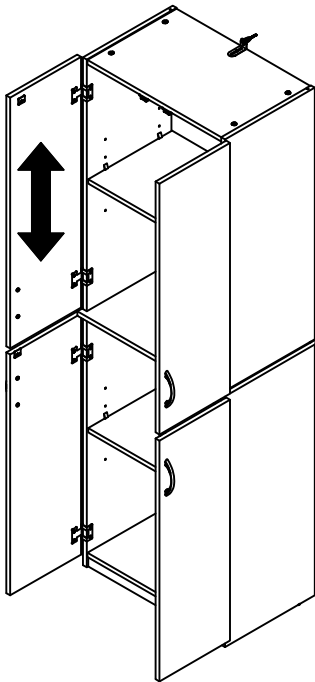


With one person holding the door, attach the door to the side panel using four screws (10). Repeat process for the other three doors.

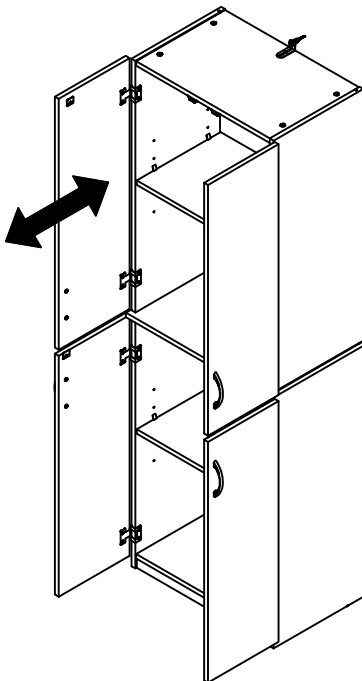
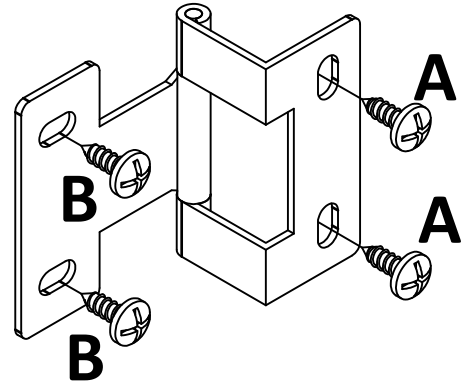


STEP 25

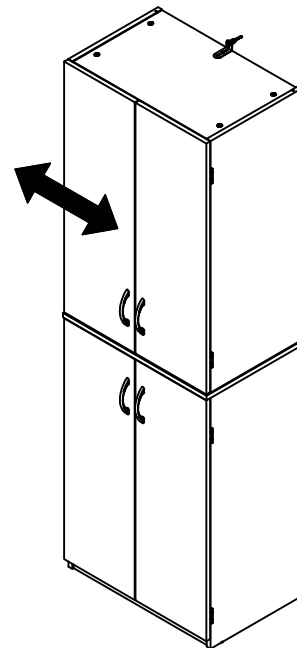
Door Adjustment



To adjust the vertical height:
Loosen the screws "A" on both hinges.
They are in slotted holes which allows
you to adjust up or down by a few mm.
Then tighten back up.



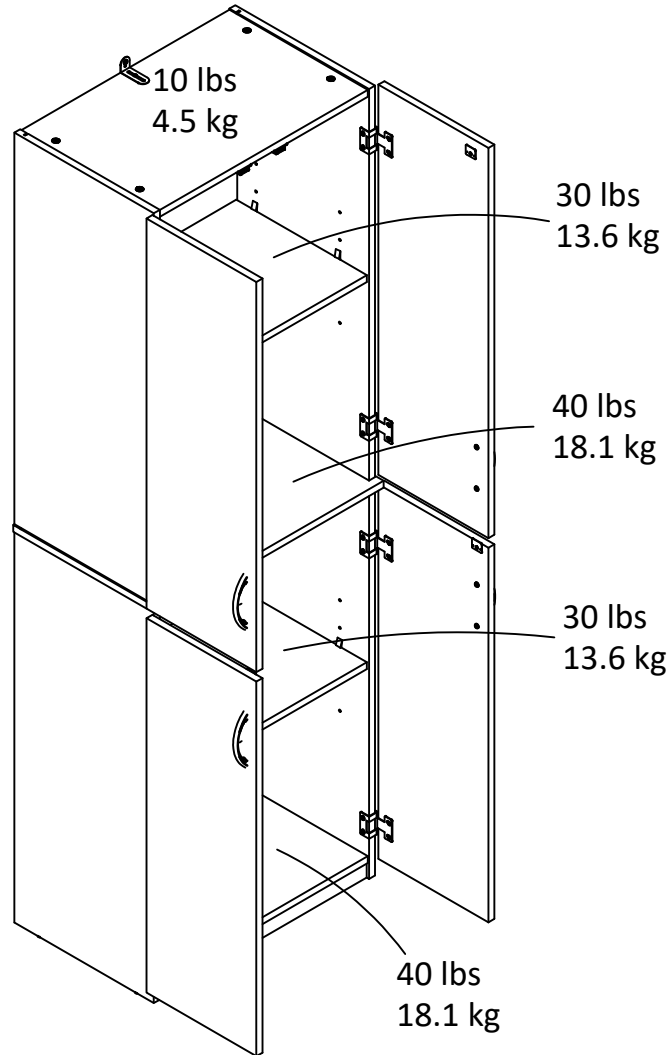
To adjust the depth:
Loosen the screw "B" and adjust door.



To adjust side to side:
Loosen the screw "B" on both
hinges. They are in slotted holes
which allows you to adjust
sideways by a few mm. Then
tighten back up.

Maximum Loads

This unit has been designed to support the maximum loads shown. Exceeding these load limits could cause sagging, instability, product collapse, and/or serious injury.



Warning: Risk of injury to persons - do not place a television on this furniture. This furniture is not approved for use with a television.

Register your product to receive the following:



- * New trend details - sneak peek on what's new
- * Surveys - have a voice within our community
- * Exclusive deals and discount codes
- * Quick and easy replacement part service

5 Star Rating



Visit your local retailer's website, rate your purchased product and leave us some feedback!

We would like to extend a big "Thank You" to all of our customers for taking the time to assemble this product, and to give us your valuable feedback.

*Thank
You!*