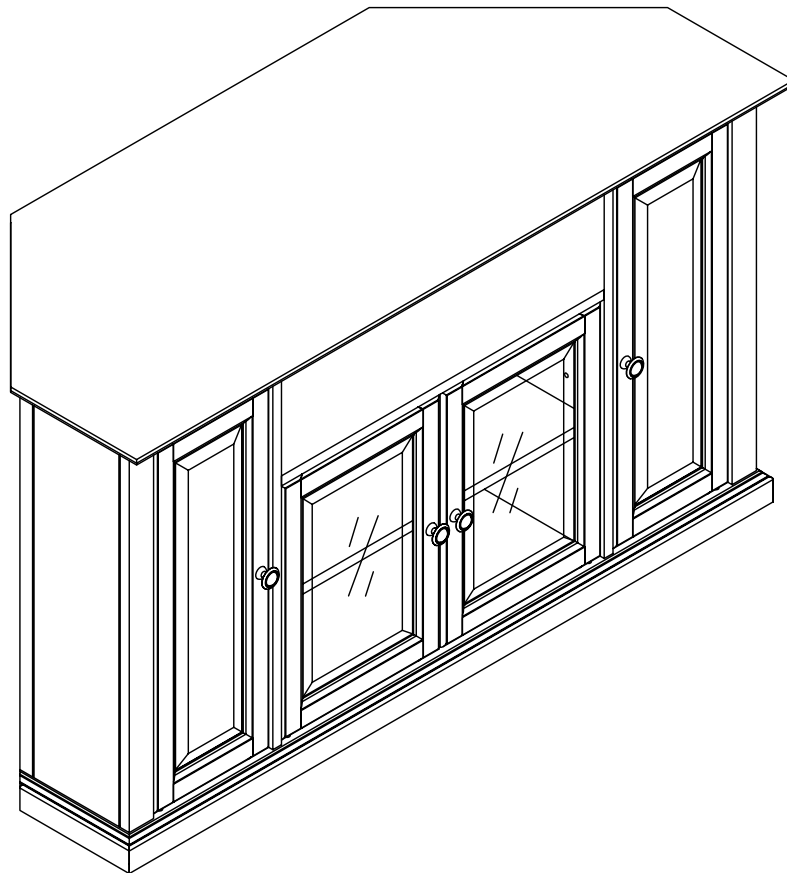


## 48" Corner TV Stand Cabinet

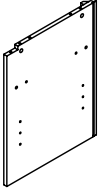
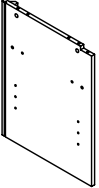


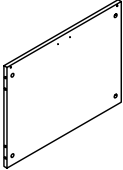
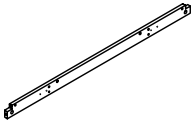
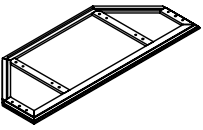
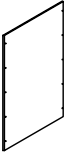
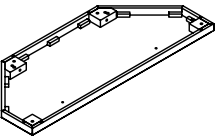
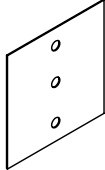
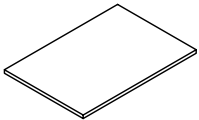
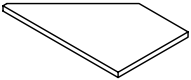
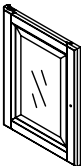
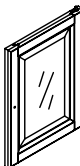
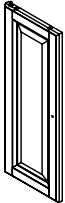



Congratulations! You have purchased a stylish piece of our furniture. We strived to provide fine furniture products, built with quality materials and hand finished details. Please carefully follow the assembly instructions to ensure your furniture is assembled correctly to provide long lasting enjoyment.

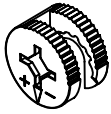
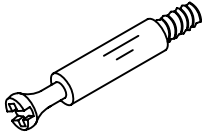
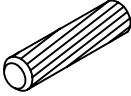

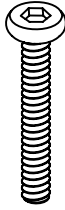

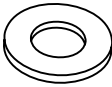
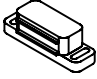
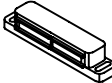
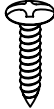

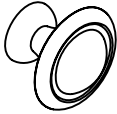

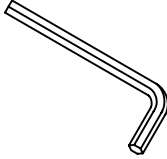
Should you experience any missing or damaged parts, **do not return to the store.** please contact us directly.

**Care:** Use a soft clean cloth that will not scratch the surface when dusting. Use of furniture polish is not necessary. Should you choose to use polishes, test in an inconspicuous area first. Use of solvents of any kind may damage your furniture's finish. To clean, simply use a soft clean cloth moistened with lukewarm water, then buff with a dry soft clean cloth.

# PART LIST

<p><b>A</b></p> 	<p><b>B</b></p> 	<p><b>C</b></p> 	<p><b>D</b></p> 	<p><b>E</b></p> 
<p>1 PC</p>	<p>1 PC</p>	<p>1 PC</p>	<p>1 PC</p>	<p>1 PC</p>
<p><b>F</b></p> 	<p><b>G</b></p> 	<p><b>H</b></p> 	<p><b>I</b></p> 	<p><b>J</b></p> 
<p>1 PC</p>	<p>1 PC</p>	<p>2 PCS</p>	<p>1 PC</p>	<p>1 PC</p>
<p><b>K</b></p> 	<p><b>L</b></p> 	<p><b>M</b></p> 	<p><b>N</b></p> 	<p><b>O</b></p> 
<p>1 PC</p>	<p>2 PCS</p>	<p>1 PC</p>	<p>1 PC</p>	<p>1 PC</p>
<p><b>P</b></p>  <p>1 PC</p>				

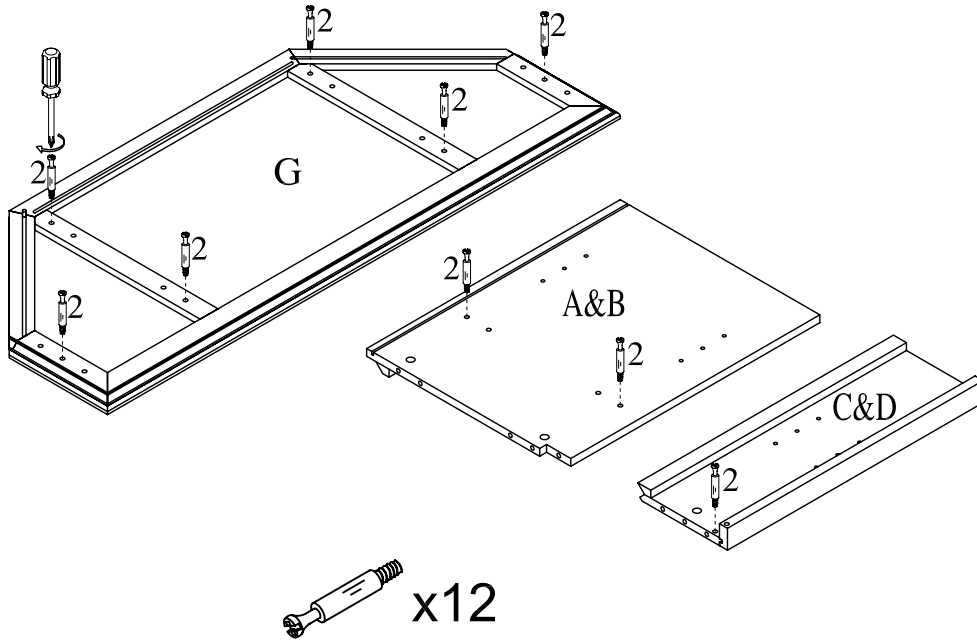
# HARDWARE LIST

<p>1</p> 	<p>2</p> 	<p>3</p> 	<p>4</p> 	<p>5</p> 
<p>CAM LOCK 12 PCS</p>	<p>CAM BOLT 12 PCS</p>	<p>WOOD DOWEL 24 PCS</p>	<p>SCREW 4 PCS</p>	<p>ALLEN BOLT 6 PCS</p>
<p>6</p> 	<p>7</p> 	<p>8</p> 	<p>9</p> 	<p>10</p> 
<p>SPRING WASHER 6 PCS</p>	<p>FLAT WASHER 6 PCS</p>	<p>DOOR MAGNET 2 PCS</p>	<p>DOUBLE DOOR MAGNET 1 PC</p>	<p>ROUND HEAD SCREW 18 PCS</p>
<p>11</p> 	<p>12</p> 	<p>13</p> 	<p>14</p> 	
<p>SHELF HOLDER 12 PCS</p>	<p>KNOB 4 PCS</p>	<p>ROUND HEAD BOLT 4 PCS</p>	<p>ALLEN WRENCH 1 PC</p>	

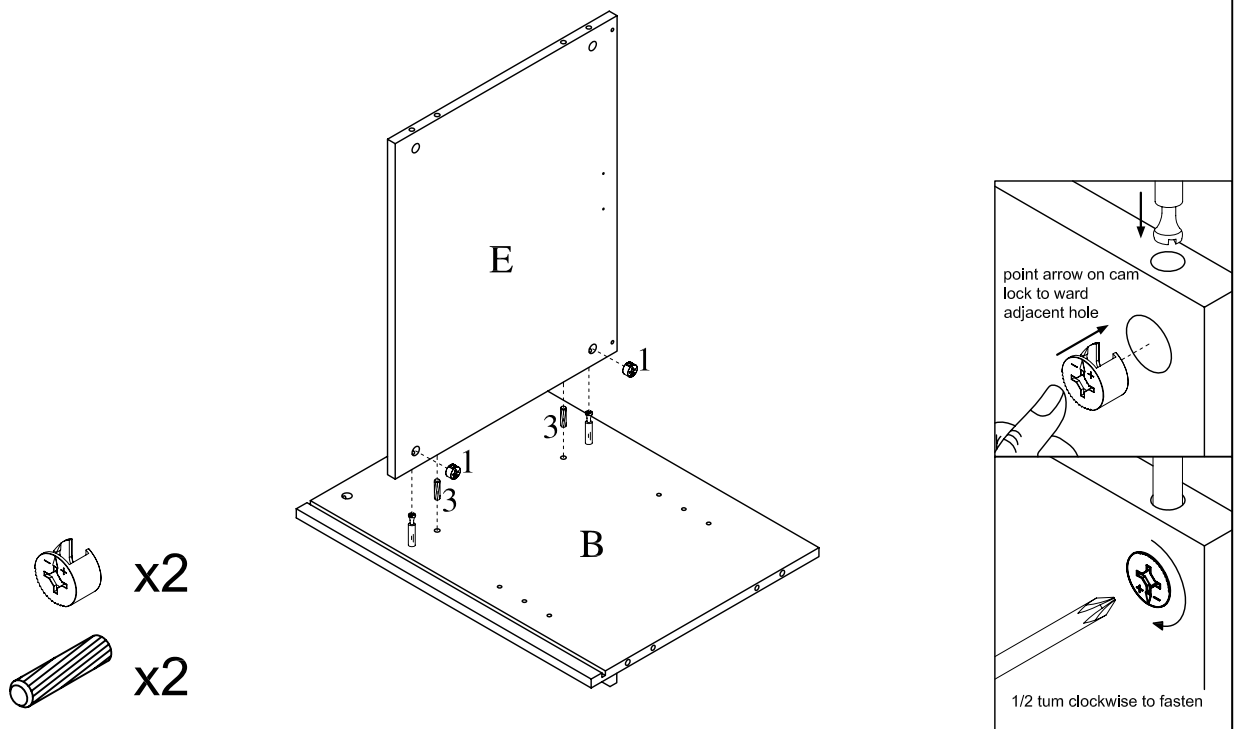
Tools needed: Allen Wrench (part #14) (included)  
Phillips Head Screw Driver (Not included)

**Note: Wood dowels (Part#3) are intended for alignment only when assembling your furniture. Additional clearance between the wood dowels and pre-drilled hole is intentional for ease of assembly.**

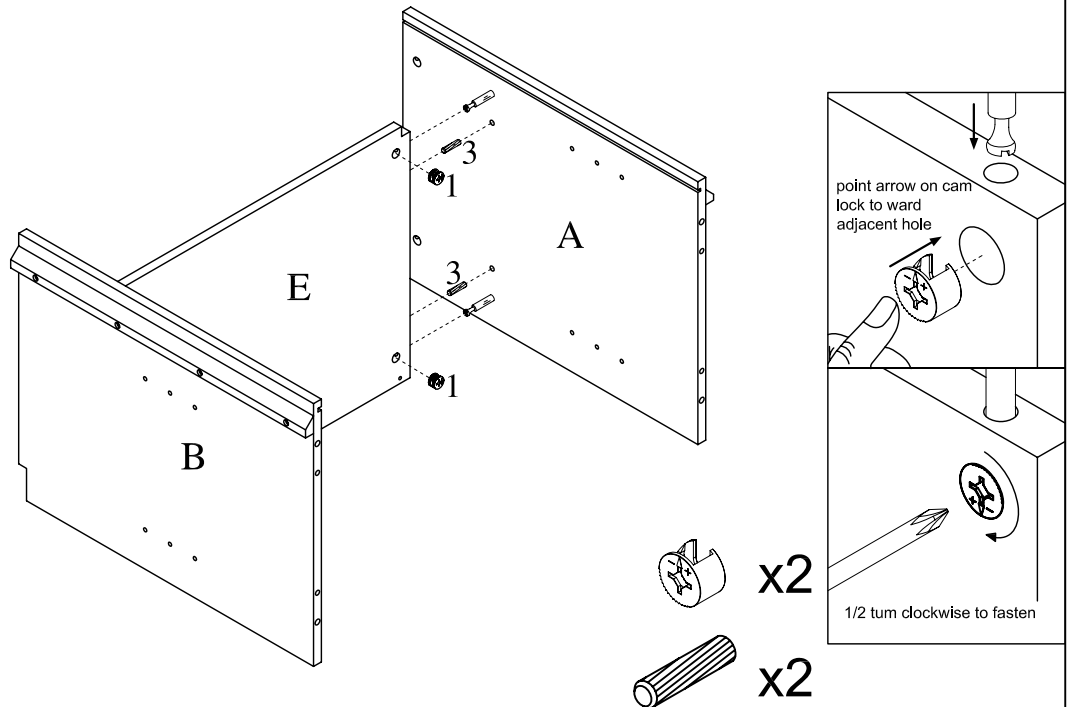
Step 1. Insert Cam Bolts(Part#2) into pre-drilled holes of parts A, B, C, D, G using a Phillips Head screw driver as shown.



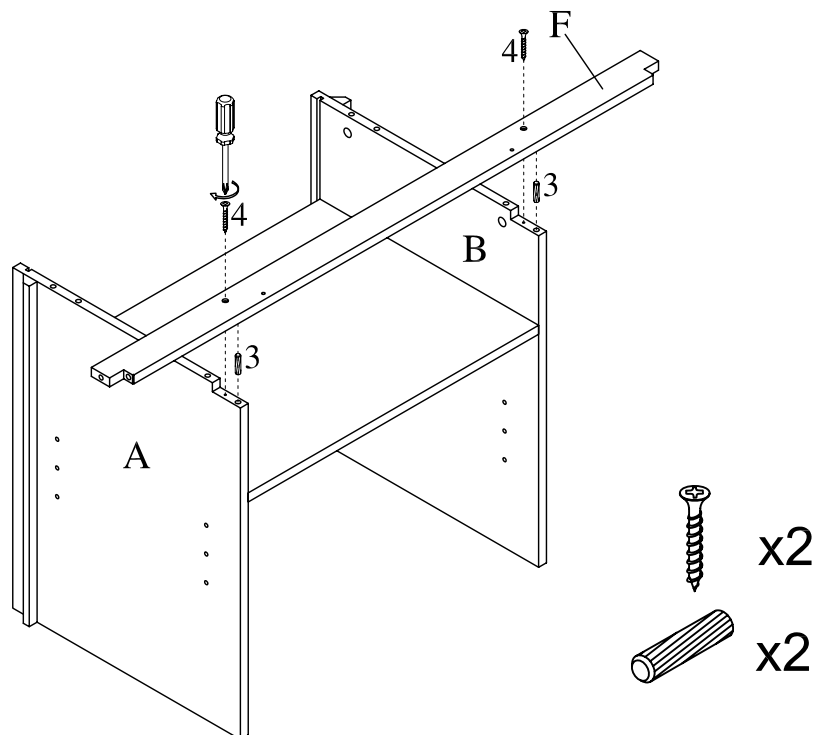
Step 2. Attach Shelf E to Panel B with Wood dowels and Cam locks as shown.  
Carefully turn assemble parts B & E upright on the floor.



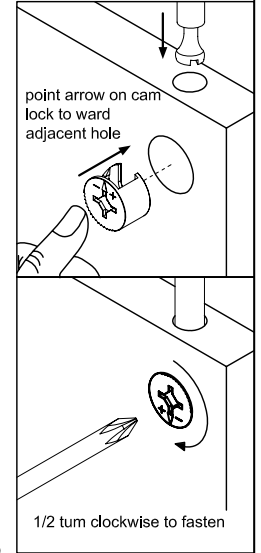
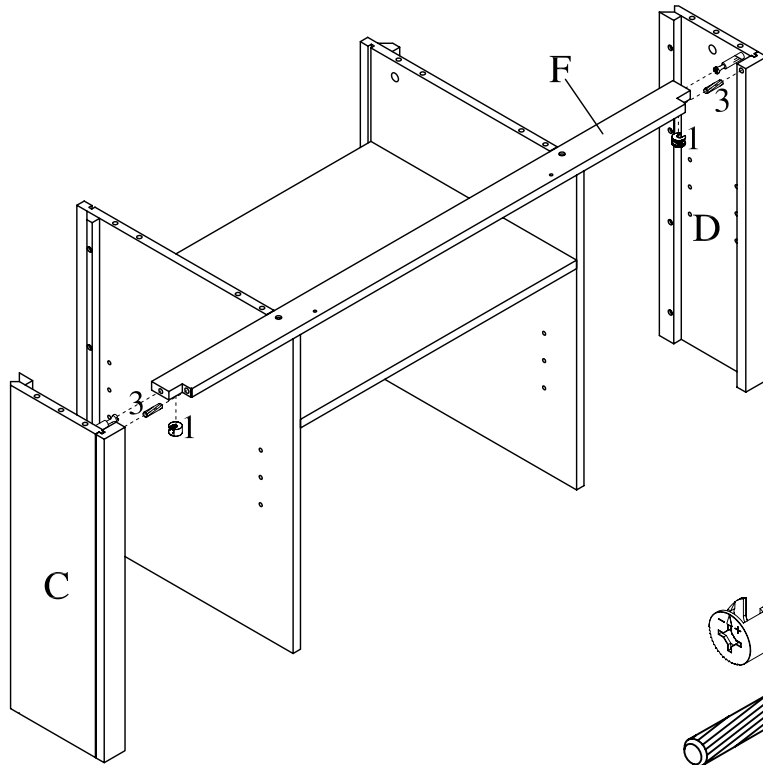
**Step 3.** Attach Part A to Part E with Wood dowels and Cam locks as shown.  
 Carefully turn over the assemble part B, E & A upright with notched cutouts facing upward.



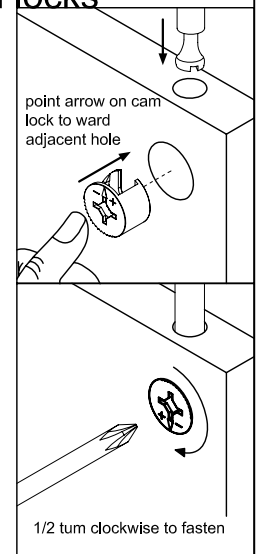
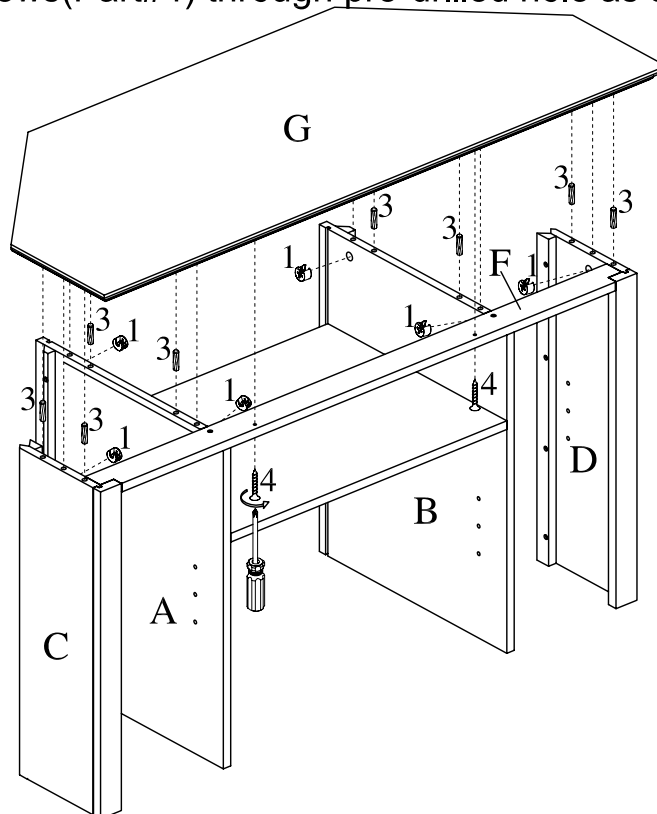
**Step 4.** Attach Rail F to Part A & B with Wood dowels and Screws ( Part#4) into pre-drilled holes as shown



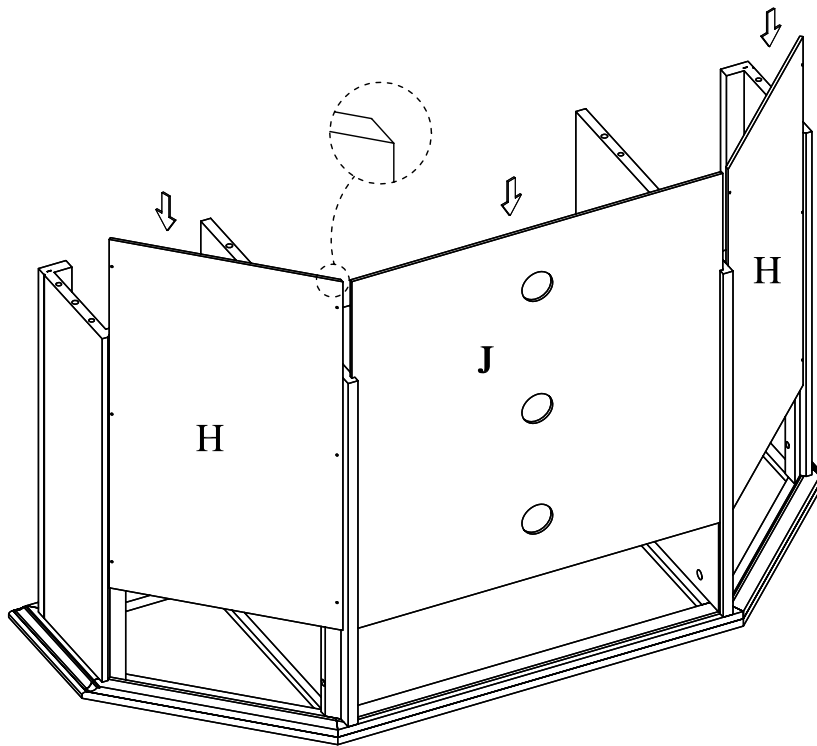
Step 5. Attach Side panels C & D to Rail F using Wood dowels and Cam locks as shown.



Step 6. Attach Top G to cabinet using Wood dowels and Cam locks as shown. Secure Rail F to Top G using two Wood screws (Part#4) through pre-drilled hole as shown.

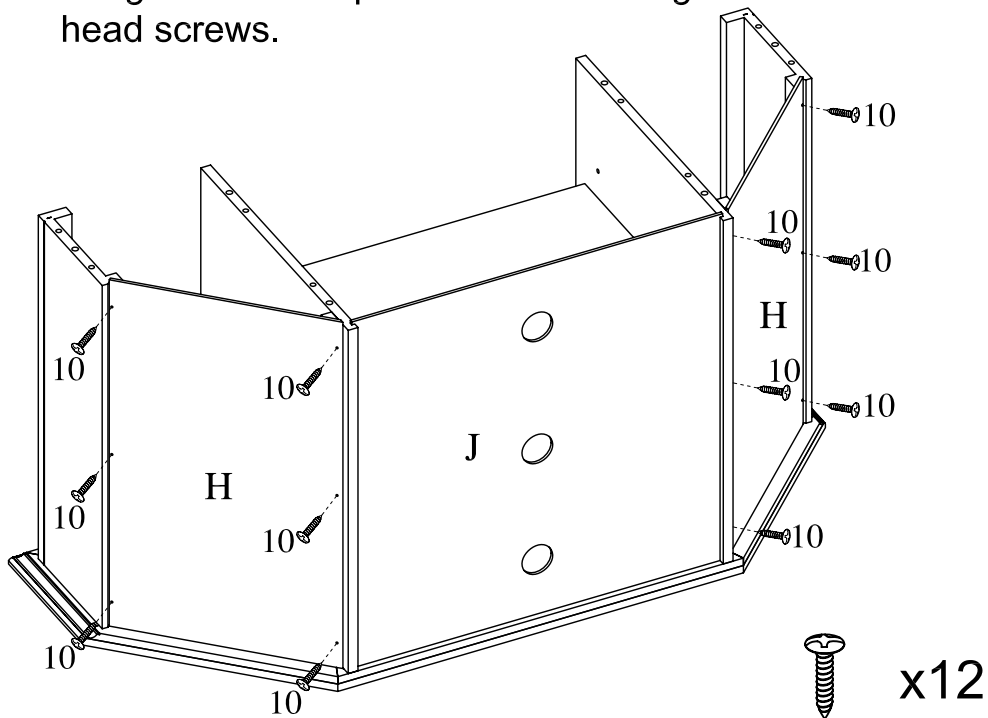


Step 7. Carefully turn over the cabinet with the top on floor  
Slide Back panels H and J into the grooves as shown.

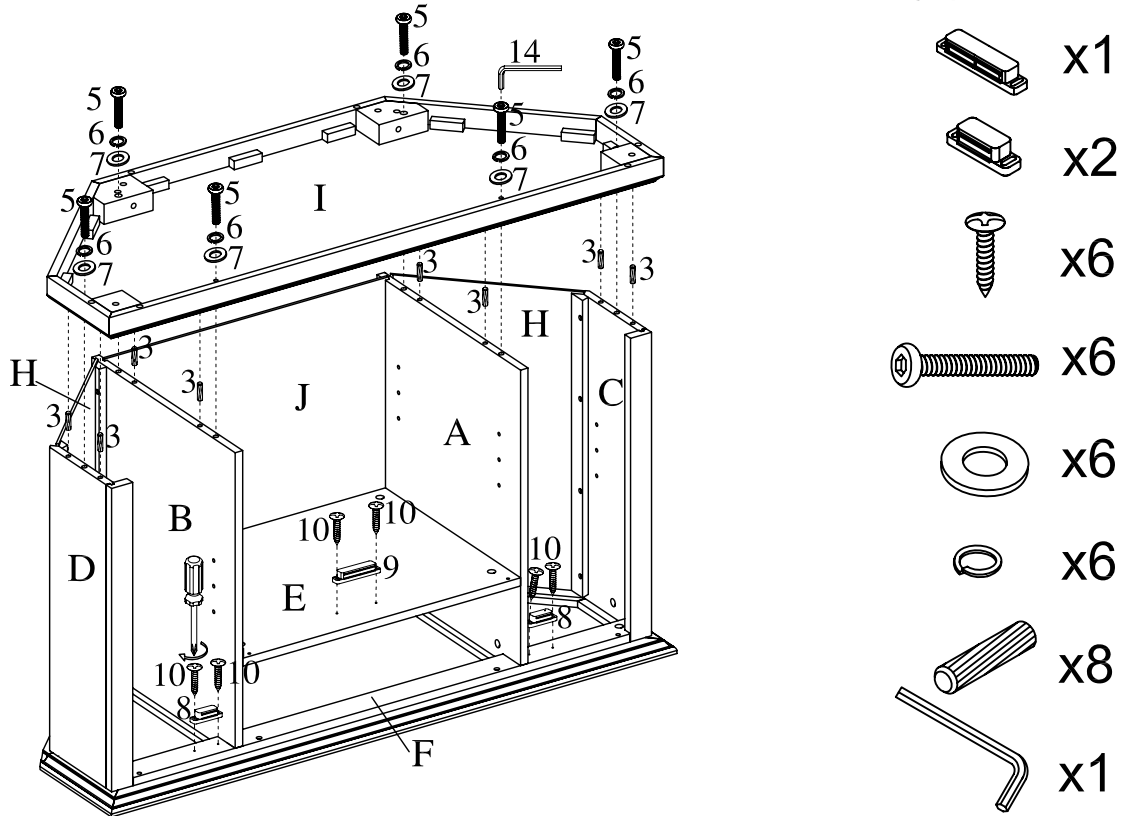


Step 8. Screw the Round head screws(Part#10) into pre-drilled holes of Side back panel H as shown.

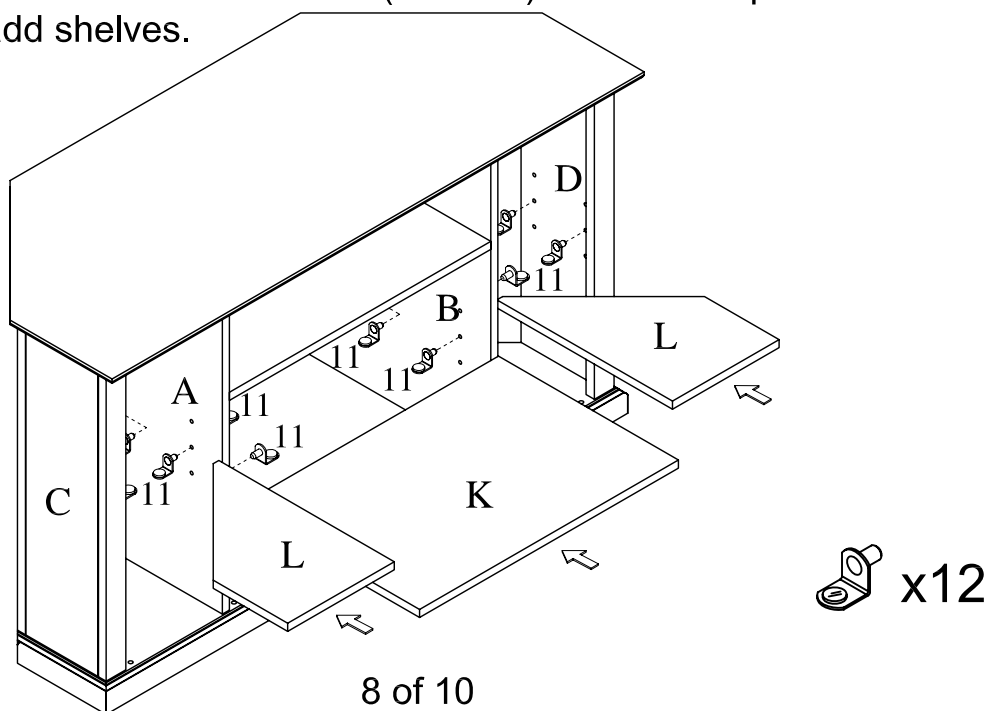
Note: Be sure that Panels H & J are inserted completely into the grooves of Top G before attaching Panels H with round head screws.



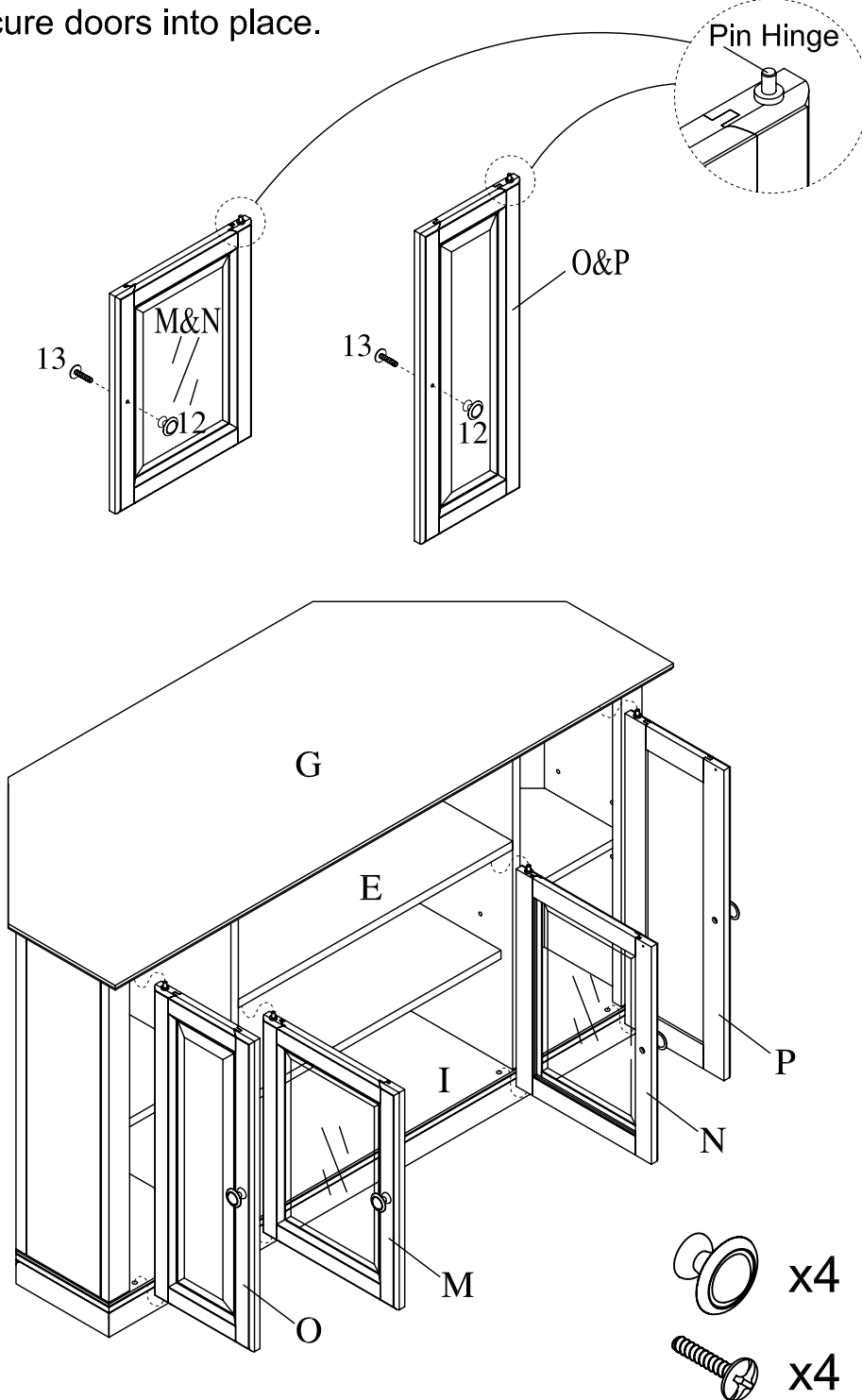
Step 9. Attach Double Door Magnet(Part#9) to shelf E and attach Single Door magnet (Part#8) to Rail F using Round head screws(Part#10) into pre-drilled holes as shown. Attach Base I to cabinet using Wood dowels and Allen bolts with Spring\Flat washers as shown. Attach legs using socket head bolts & wood dowels (as shown in instruction manual included in carton with legs).



Step 10. Carefully turn over the cabinet with the top upward. Insert the Shelf Holders (Part#11) into desired position and add shelves.



Step 11. Attach hardware knobs (Part#12) to Doors M, N ,O & P using Round Head bolts (Part#13) and a Phillips Head screw driver. Attach doors to cabinet by placing bottom Pin Hinge into pre-drilled holes at bottom & depressing top spring loaded Pin Hinge to fit door into place. Note: Be sure Pin Hinges (top & bottom) have fully extended into the pre-drilled holes to secure doors into place.



## Limited Manufacturers Warranty

Our Products are warranted against defects in material and workmanship for a period of 90 days beginning from the date of sale. Should any parts be missing or defective, we will replace or repair the parts for a period of 90 days from the date of purchase.

**Should you experience any missing or damaged parts, do not return to the store. Please contact us directly**