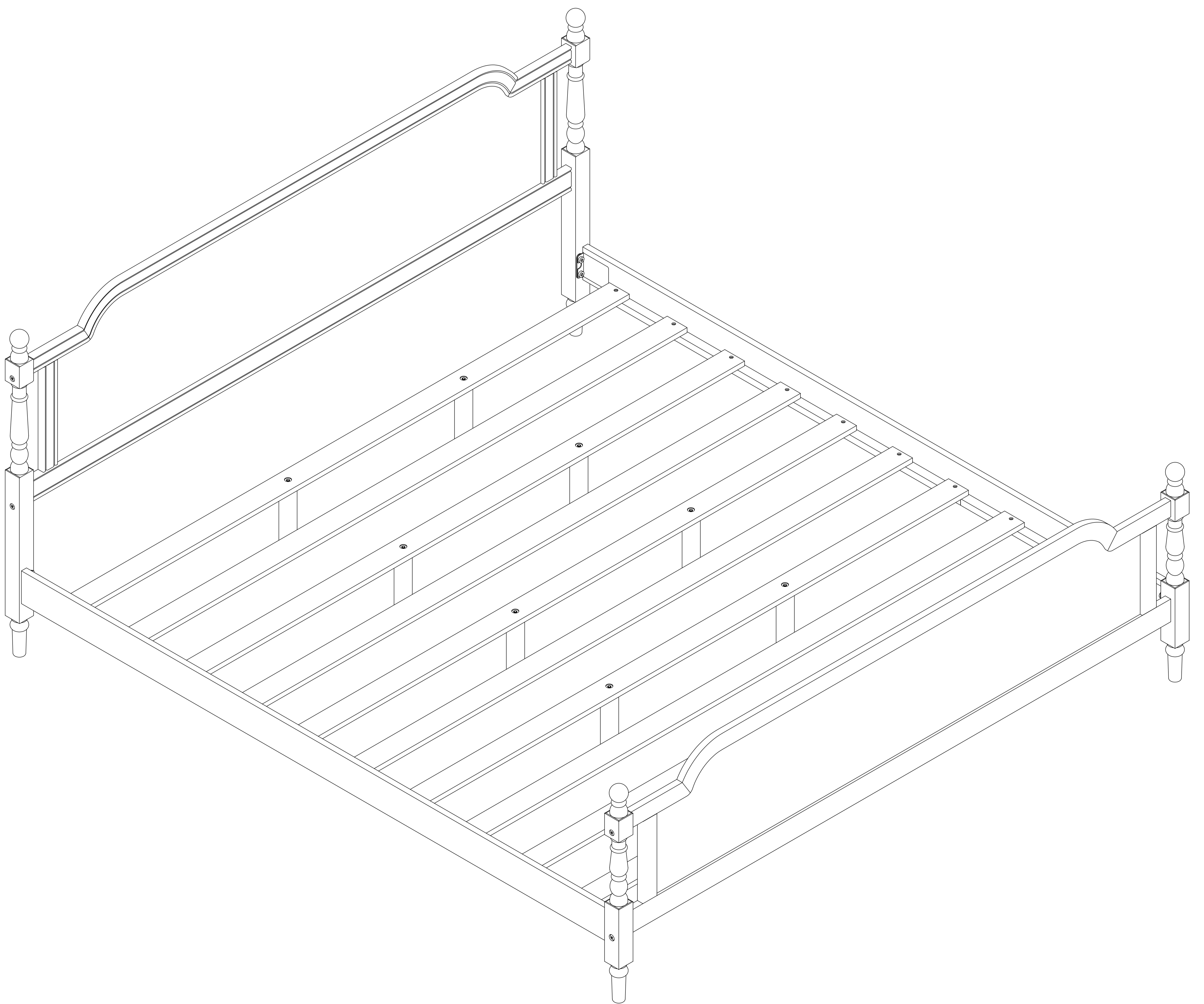


ASSEMBLY INSTRUCTION

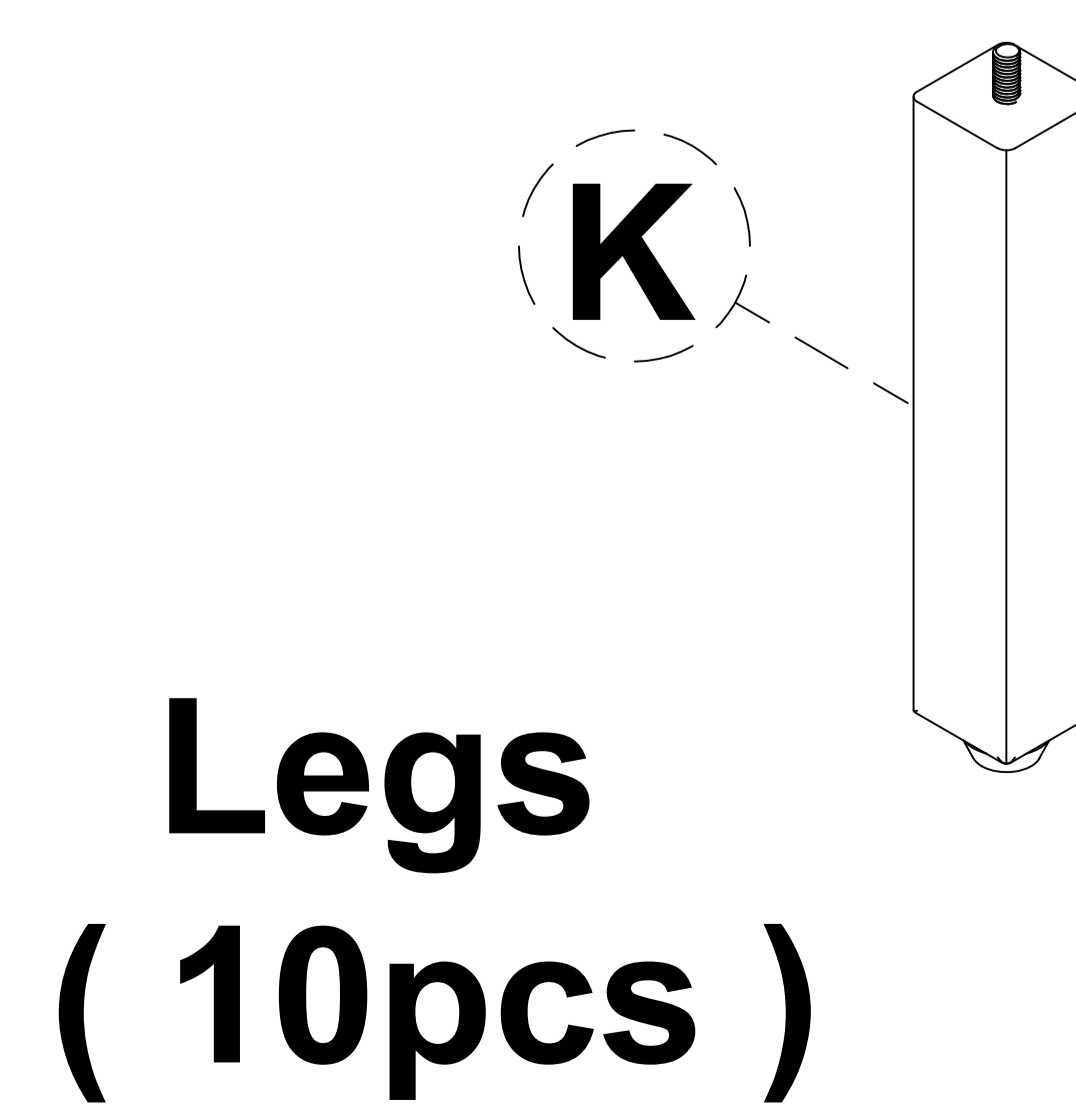
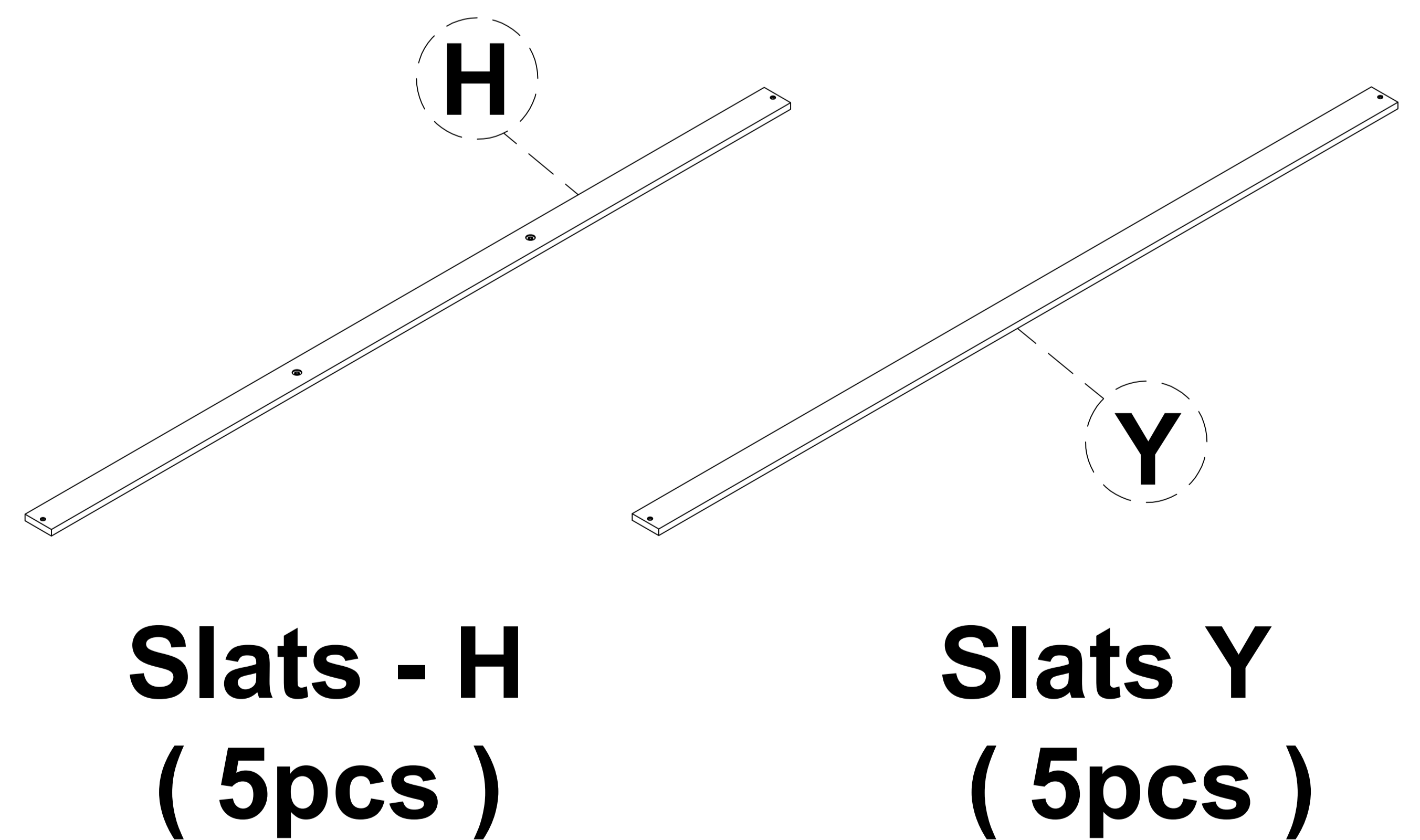
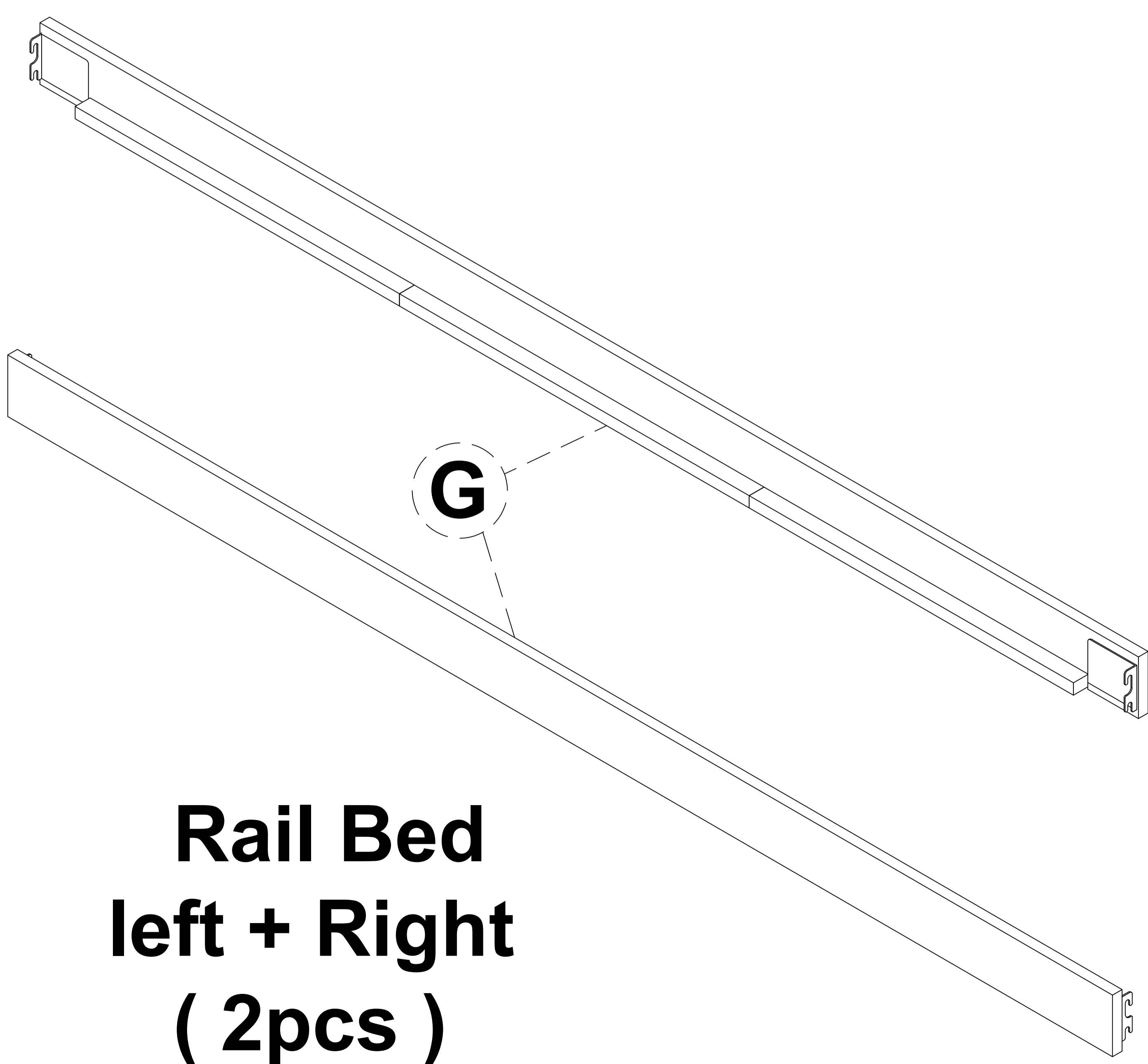
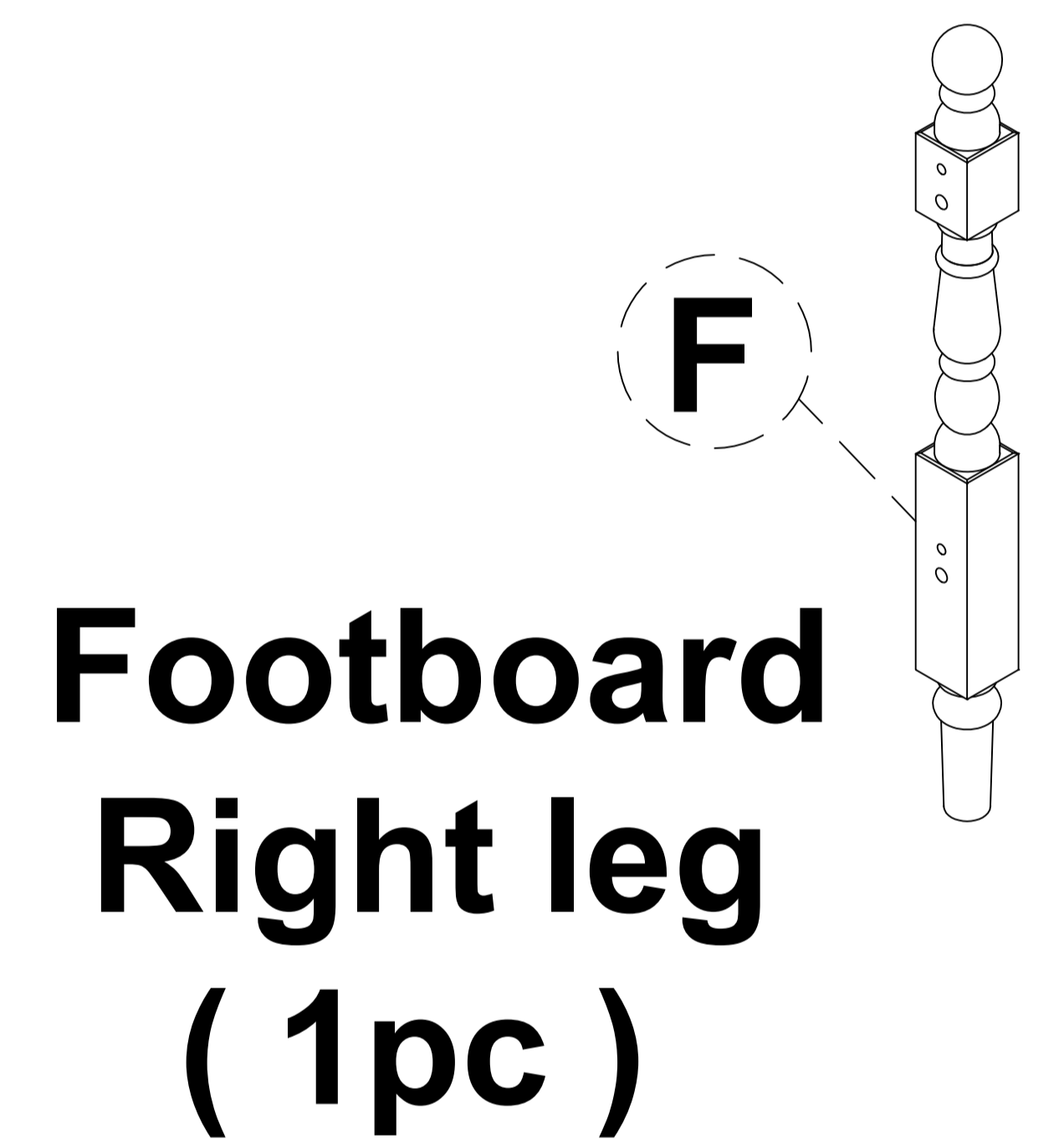
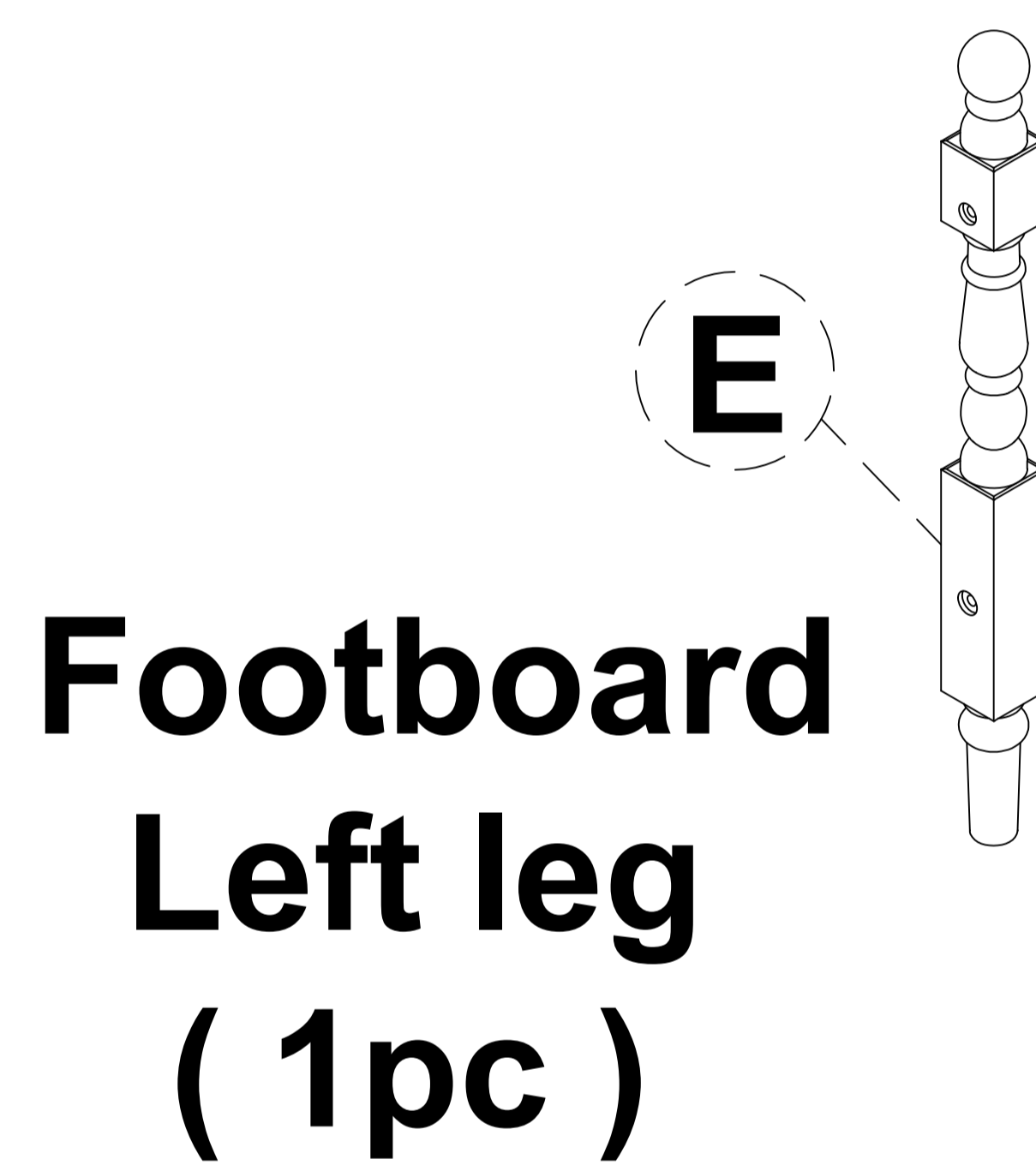
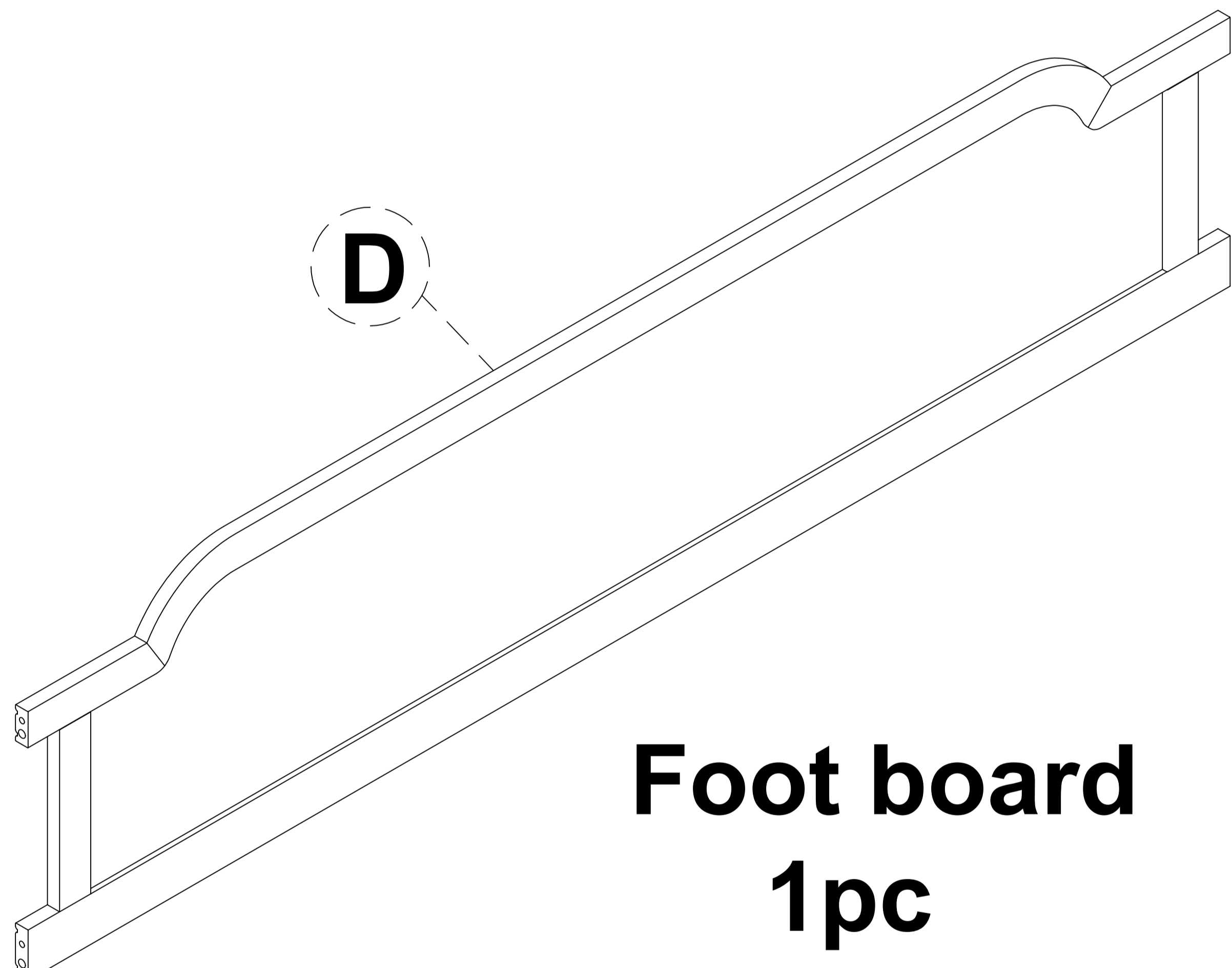
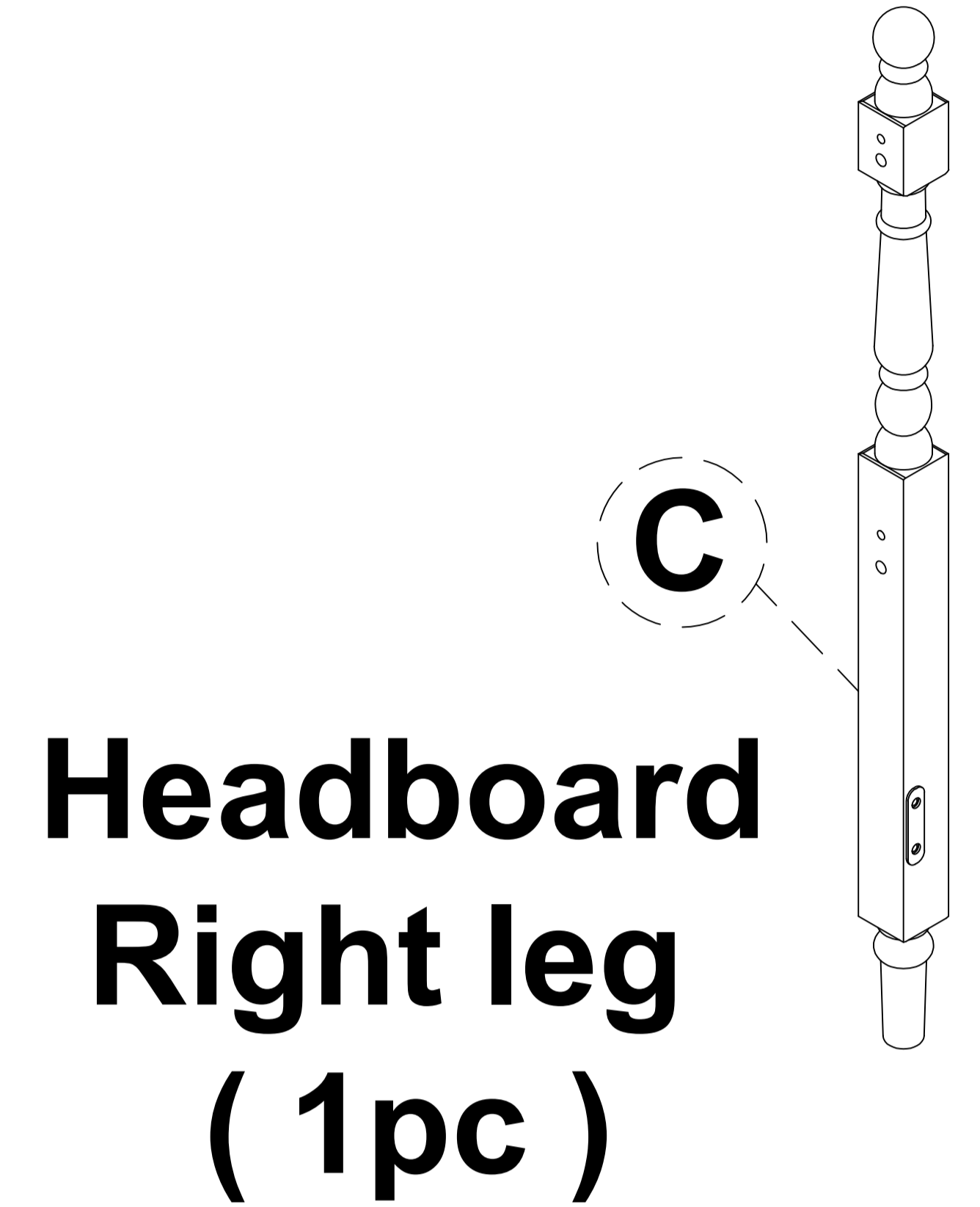
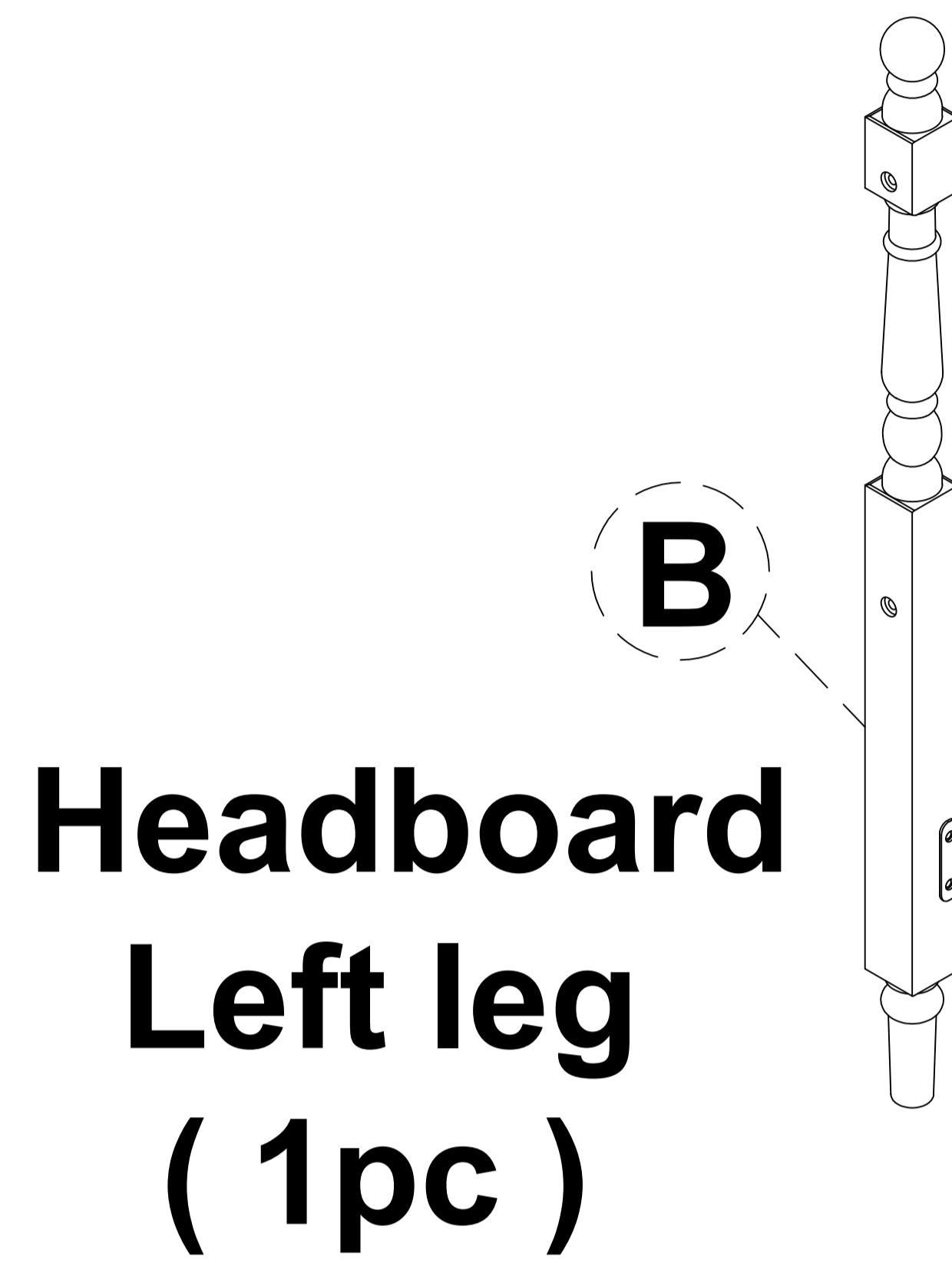
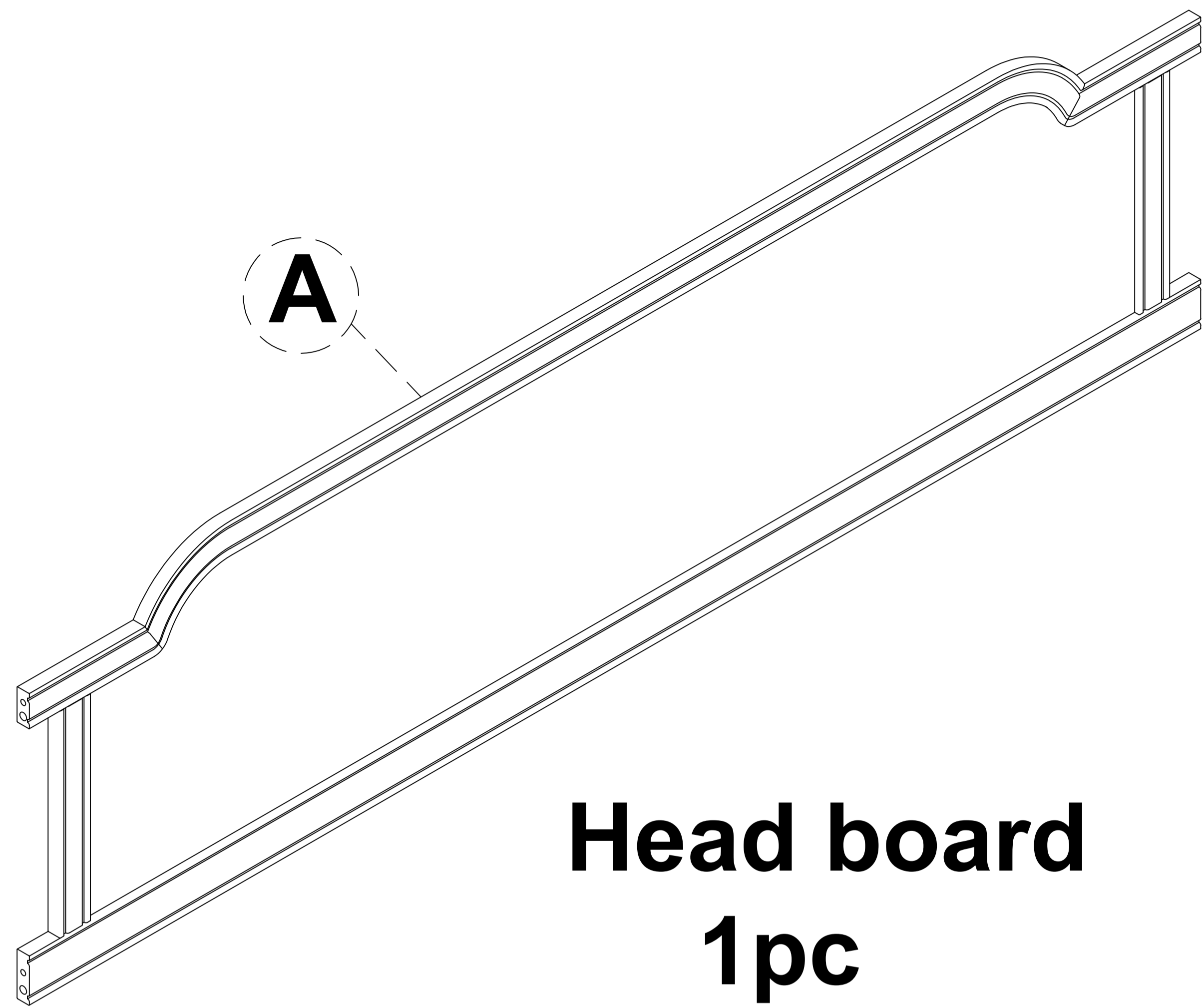
ITEM : N701P170484K / 484L /
481K / 481L / 701K /
701L/ 702K/ 702L

RATTAN QUEEN/ KING BED



Part List

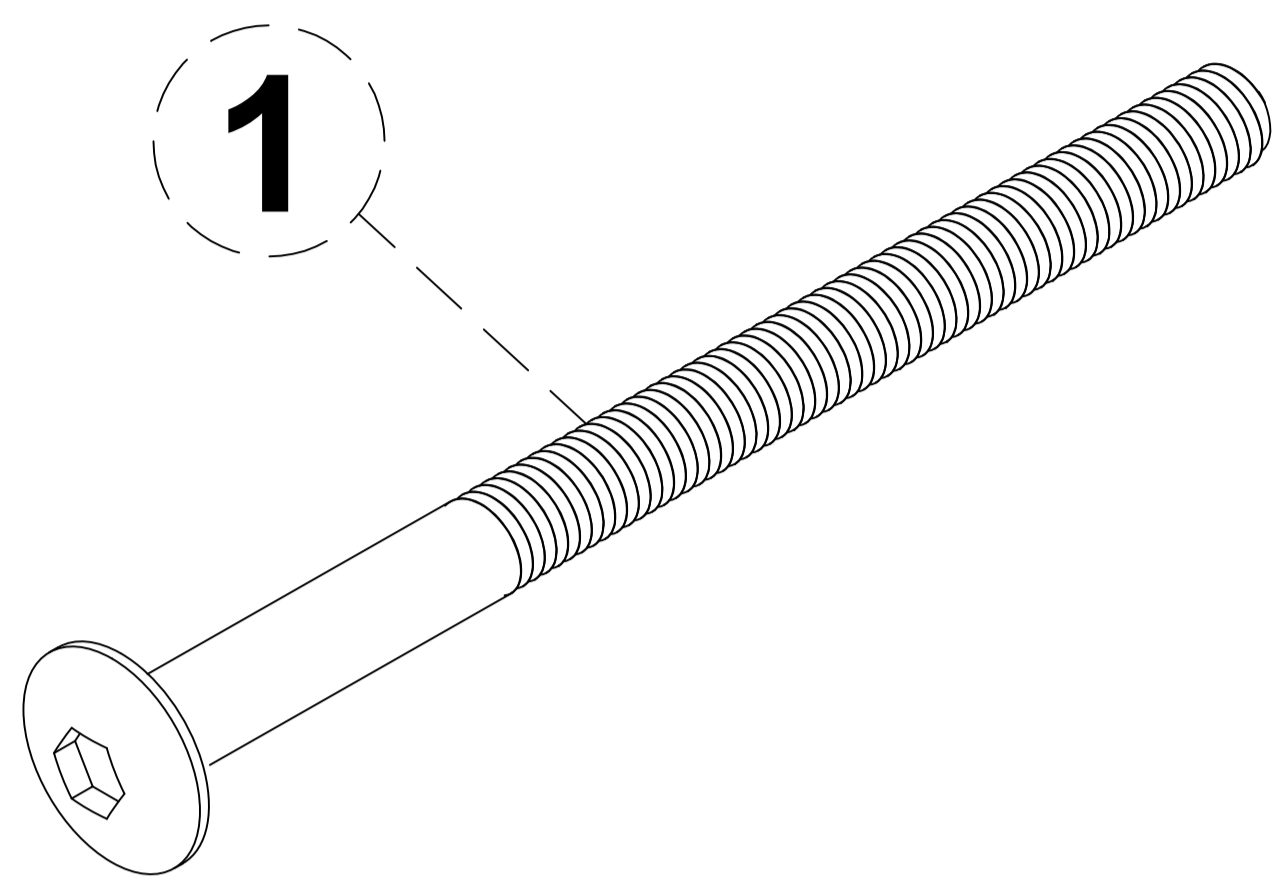
**ITEM : N701P170484K / 484L / 481K /
481L / 701K / 701L / 702K / 702L**



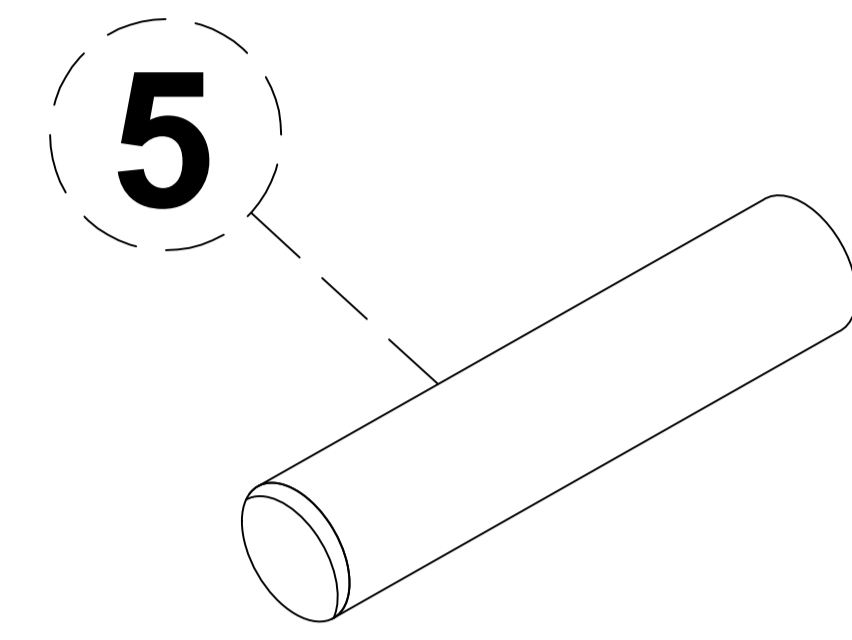
Hardware List

Box 2

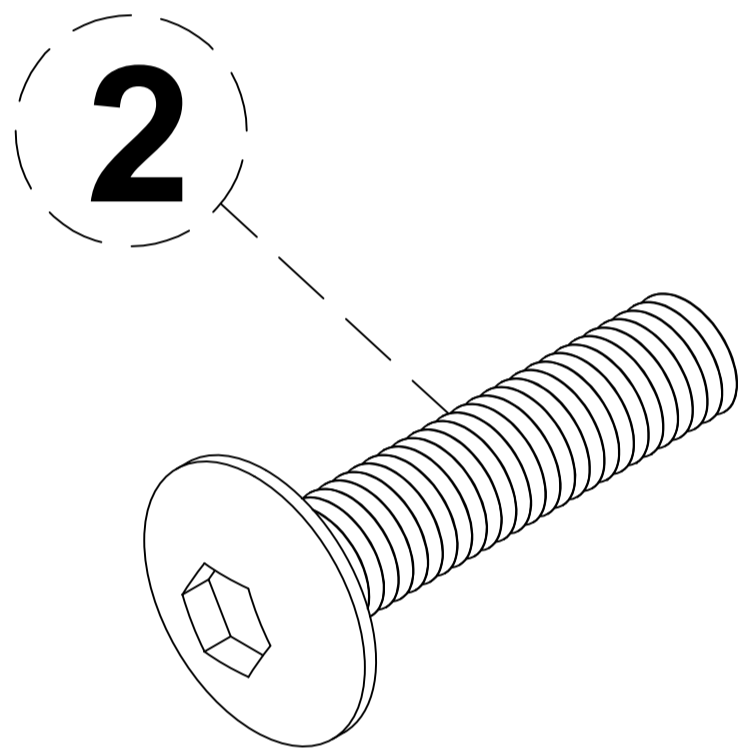
ITEM : N701P170484K/ 484L/ 702K/ 702L



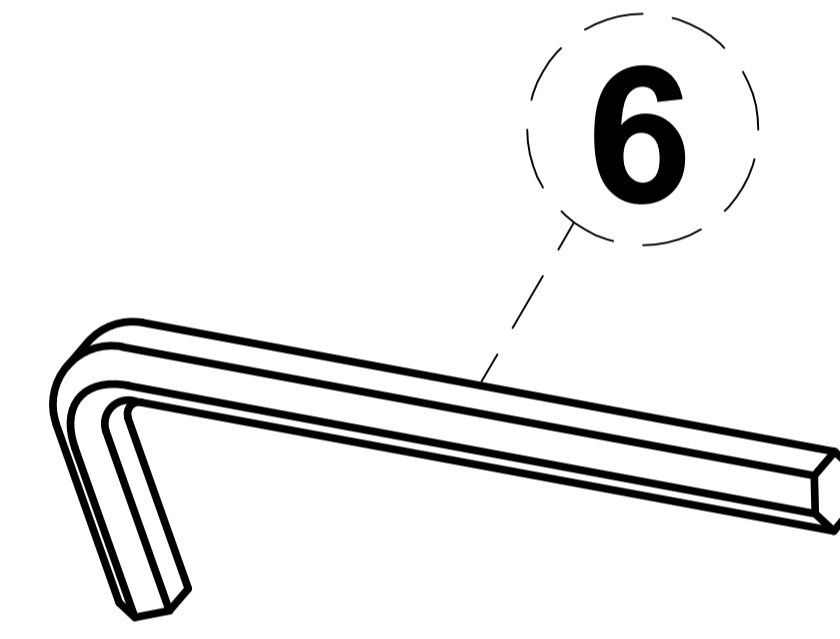
Allen Head Bolts and Foot board
(Head of bolts are 13mm)
(M6 x 80mm = 8pcs)



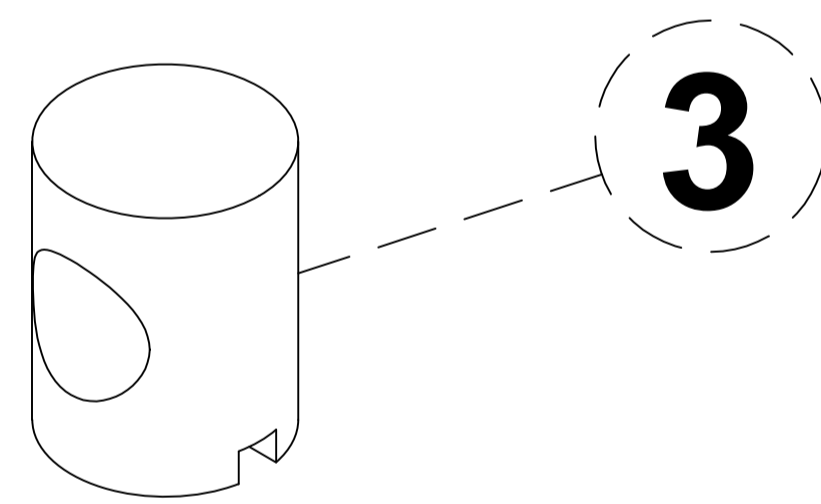
Wood dowel Ø10 x 40mm
(= 8pcs)



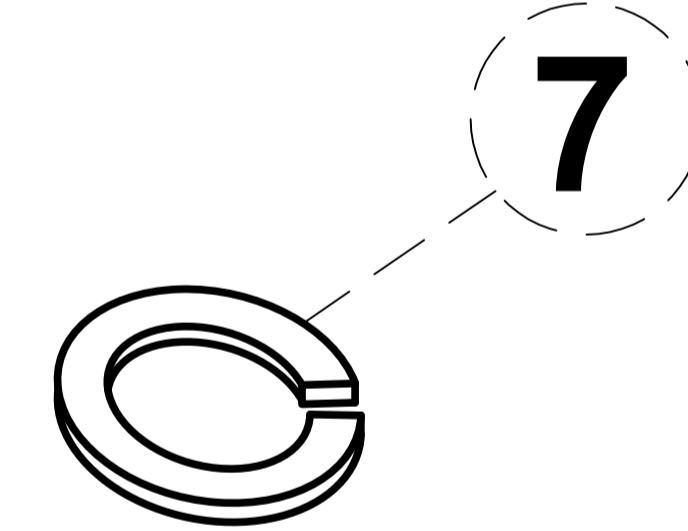
Allen Rail Bolt
(Head of bolts are 15 mm)
(M8 x 15mm = 8pcs)



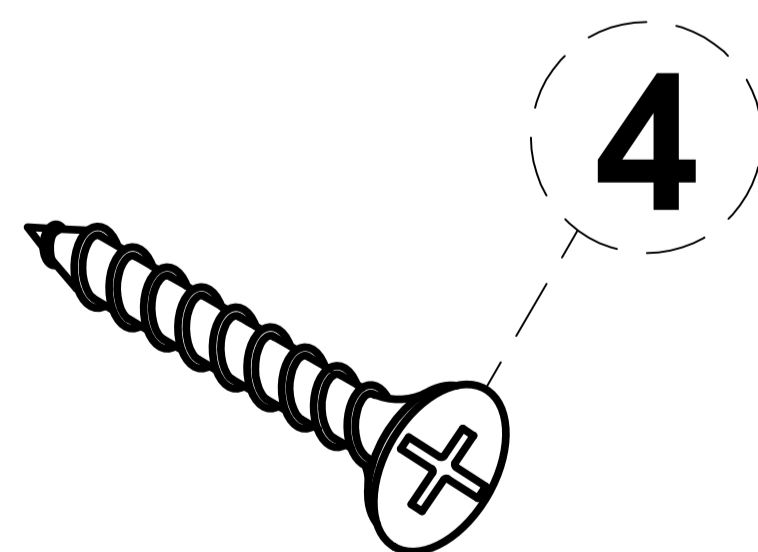
Allen wrenches
(= 1pc)



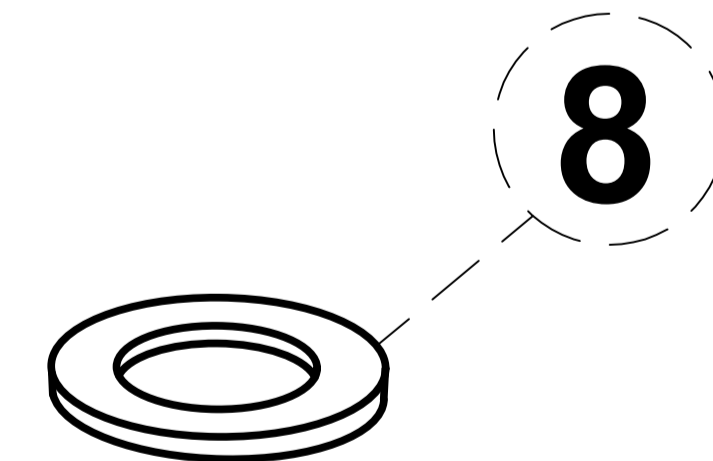
Cross dowels 9.5 x 13mm
(= 8pcs)



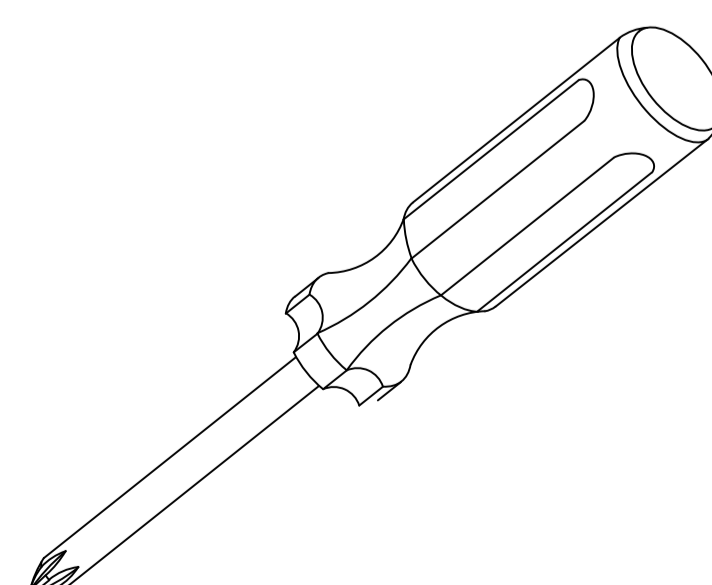
Lock Washers Ø11
(= 8pcs)



Wood Screws M4 x 30mm
(= 20pcs)



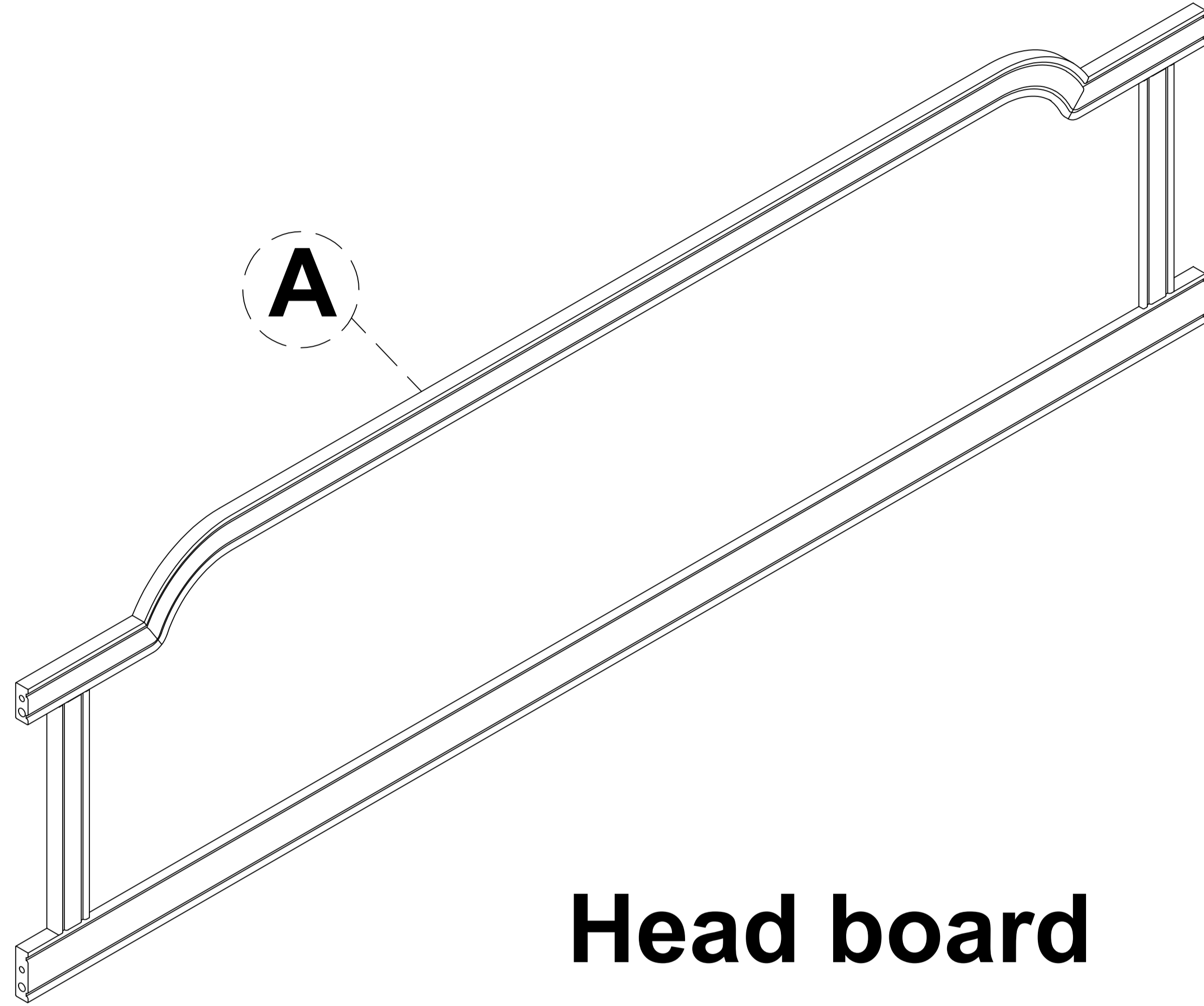
Washers Ø13
(= 8pcs)



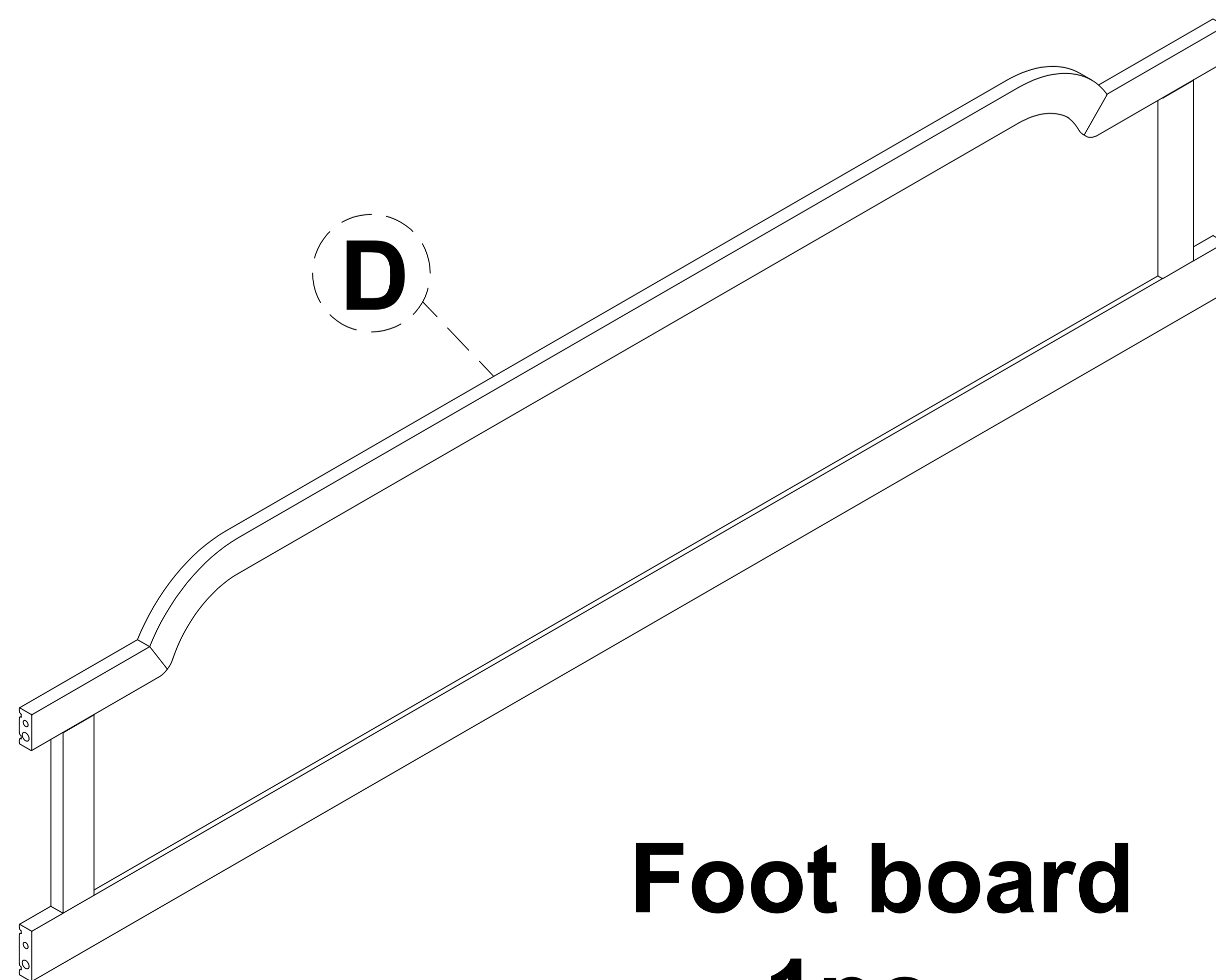
not included cross point screwdriver

Part List Box 1

ITEM : N701P170481K/ 481L/ 701K/ 701L



**Head board
1pc**

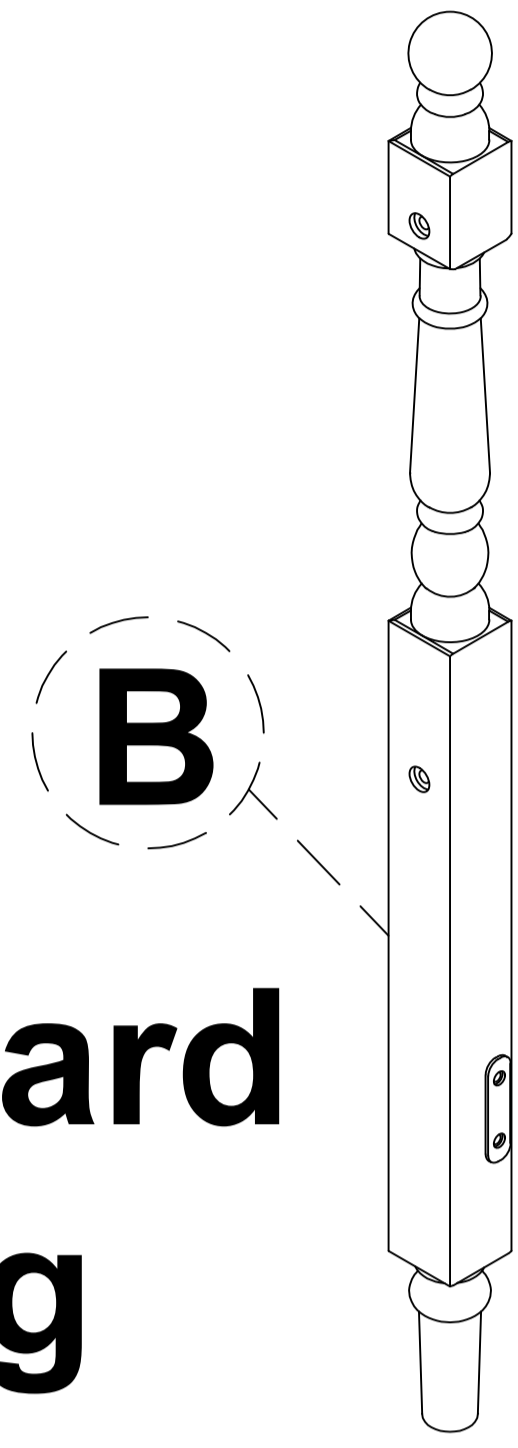


**Foot board
1pc**

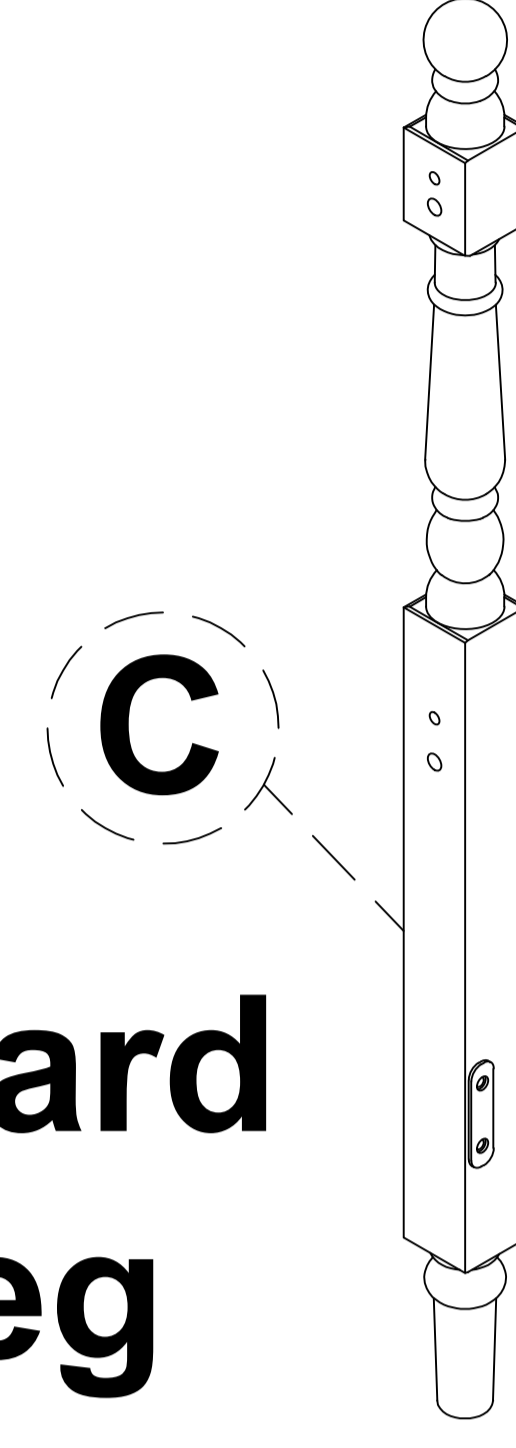
Part List Box 2

ITEM : N701P170484K/ 484L/ 702K/ 702L

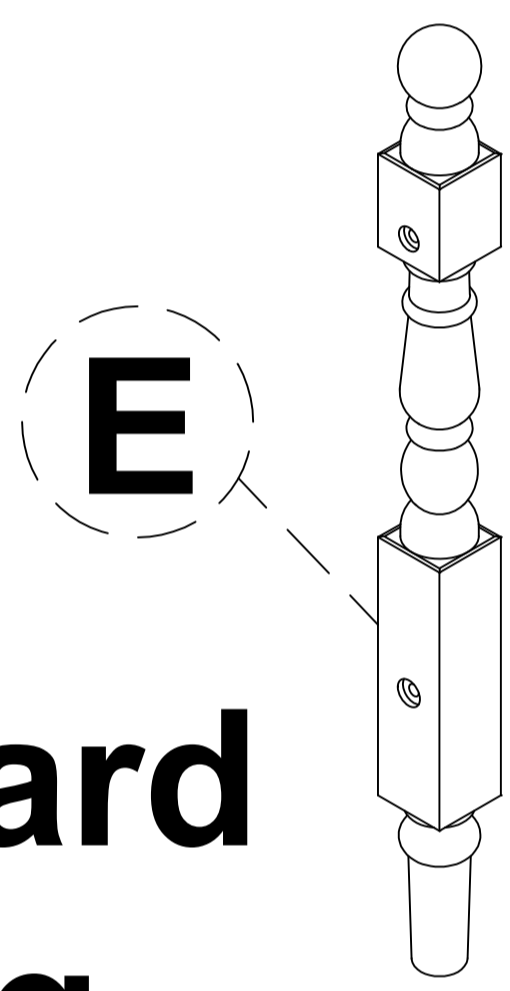
Headboard
Left leg
(1pc)



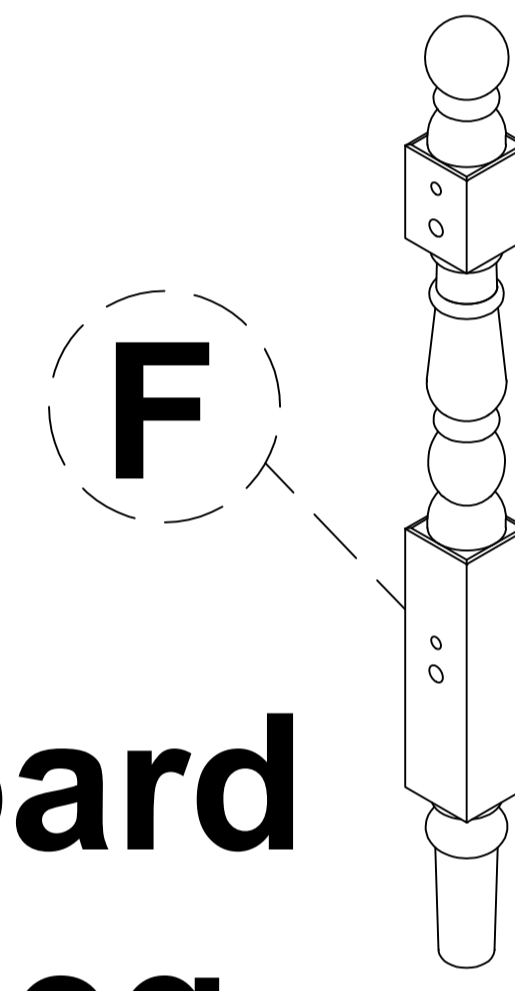
Headboard
Right leg
(1pc)



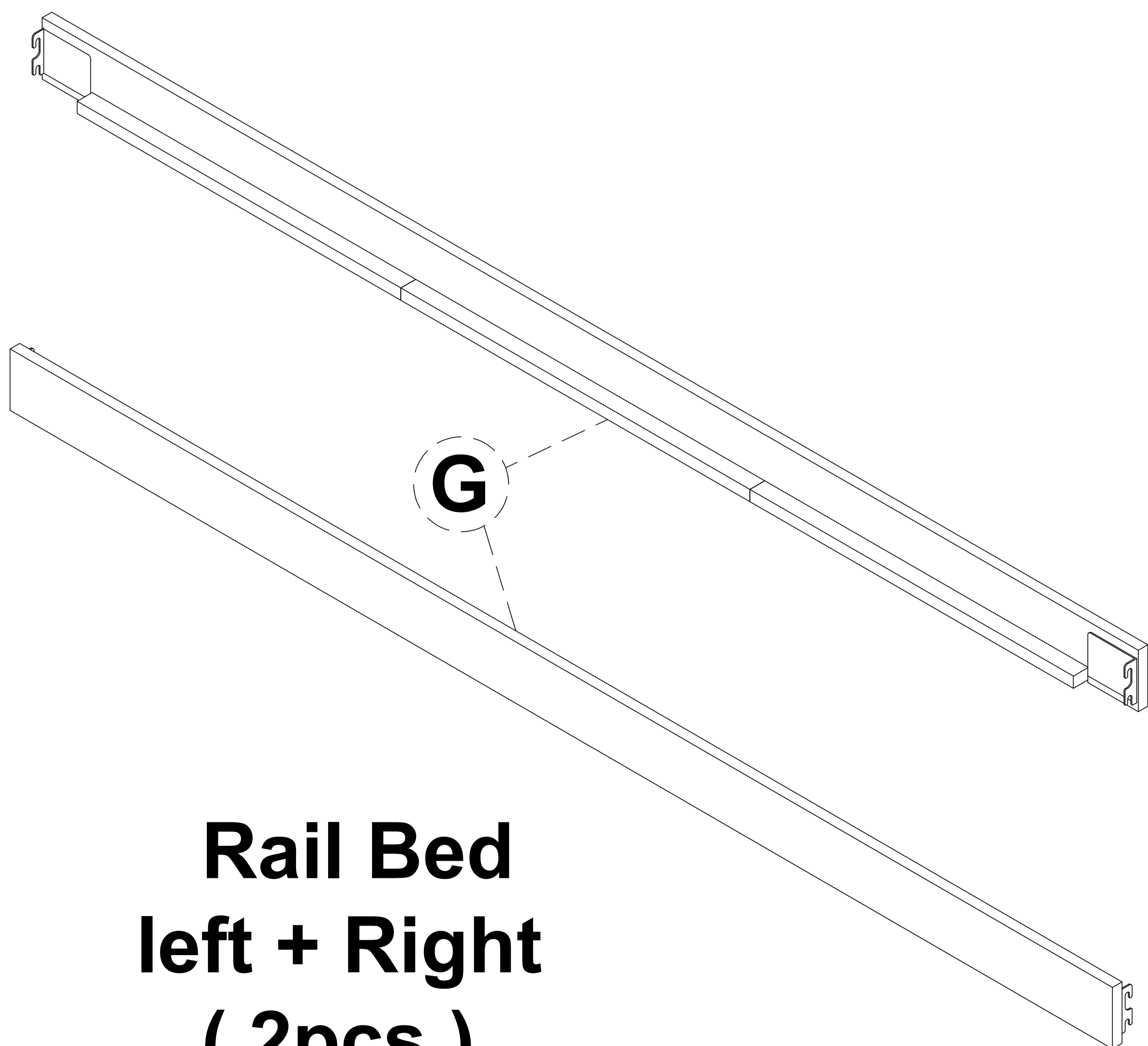
Footboard
Left leg
(1pc)



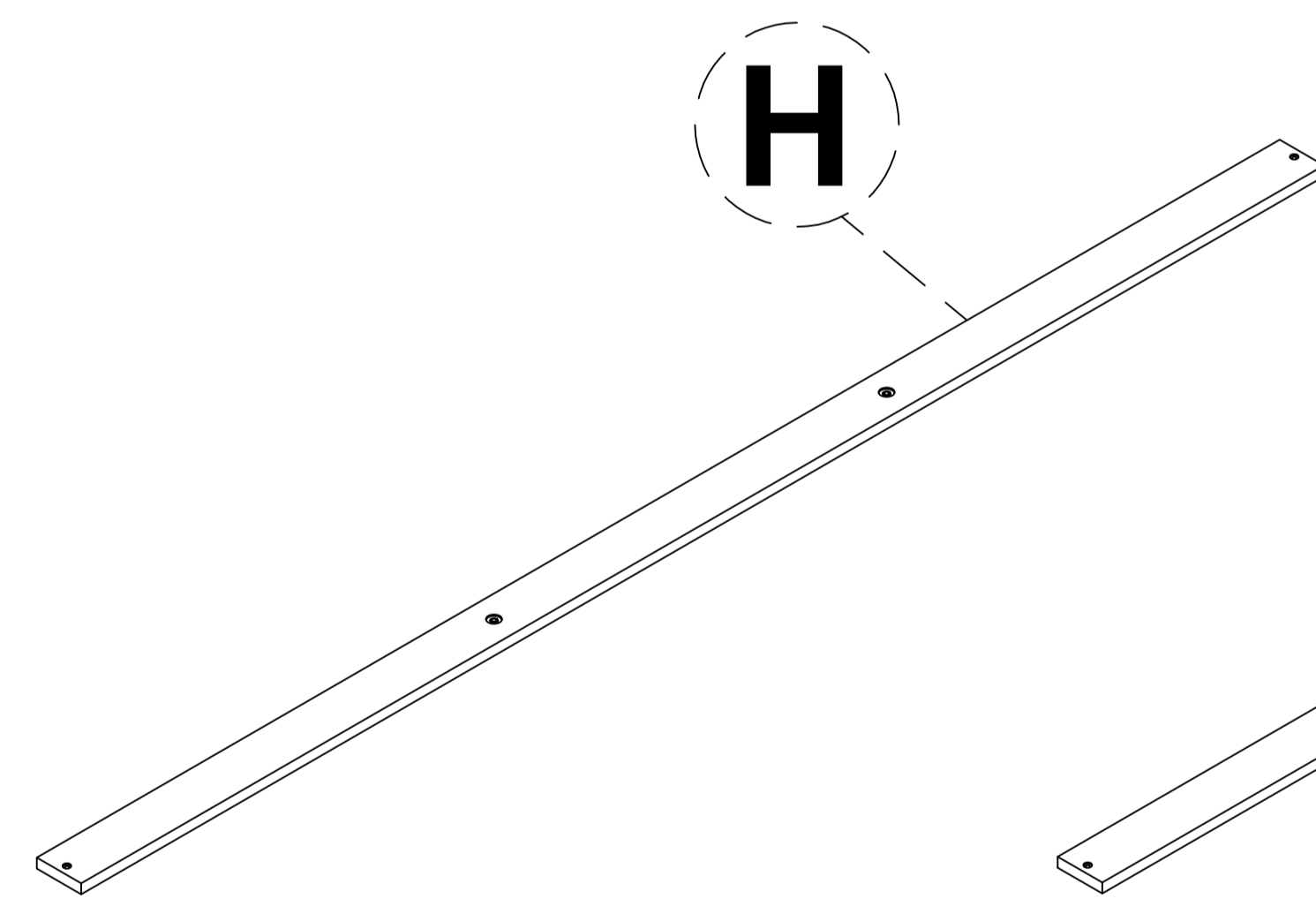
Footboard
Right leg
(1pc)



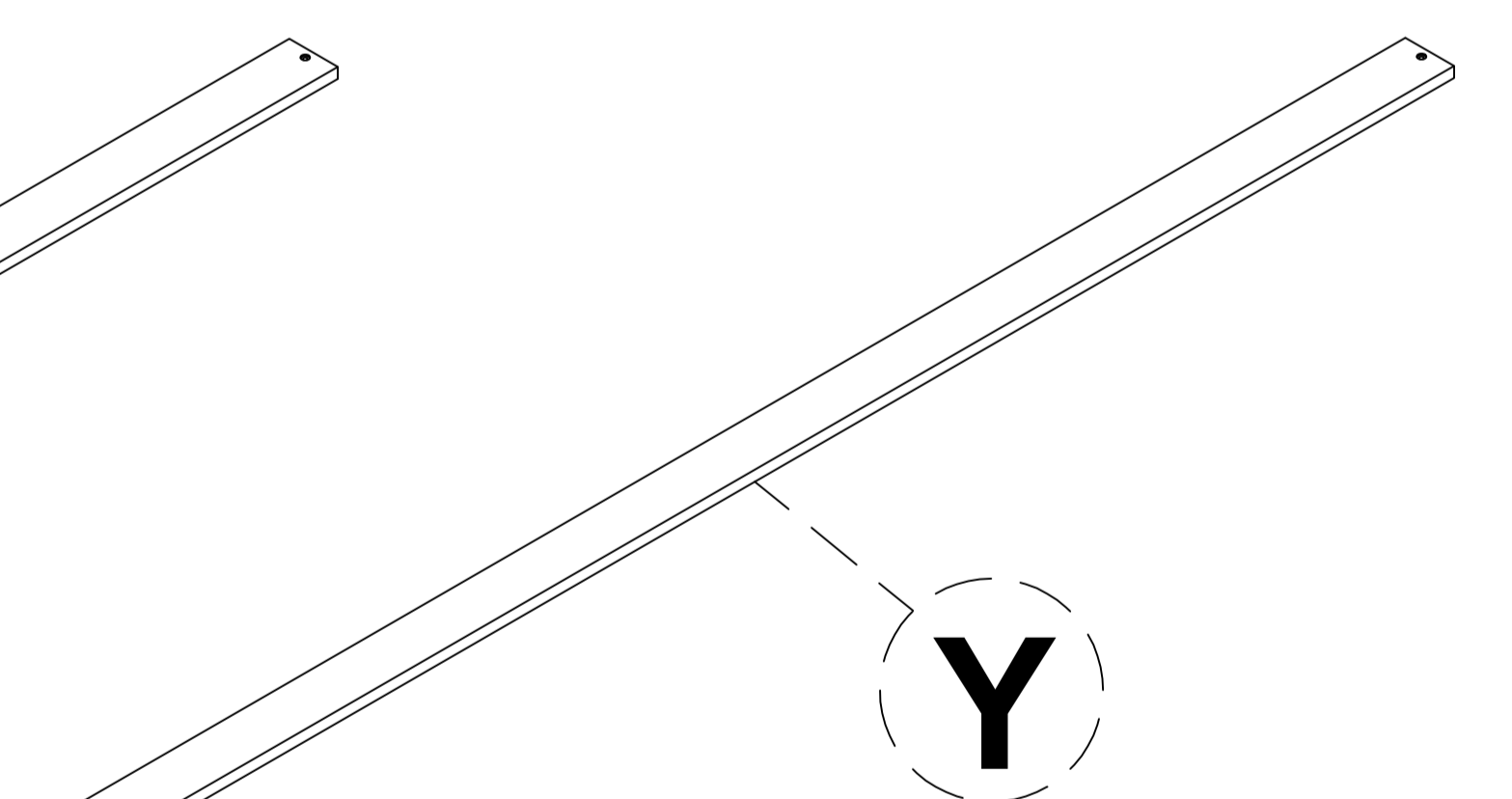
Rail Bed
left + Right
(2pcs)



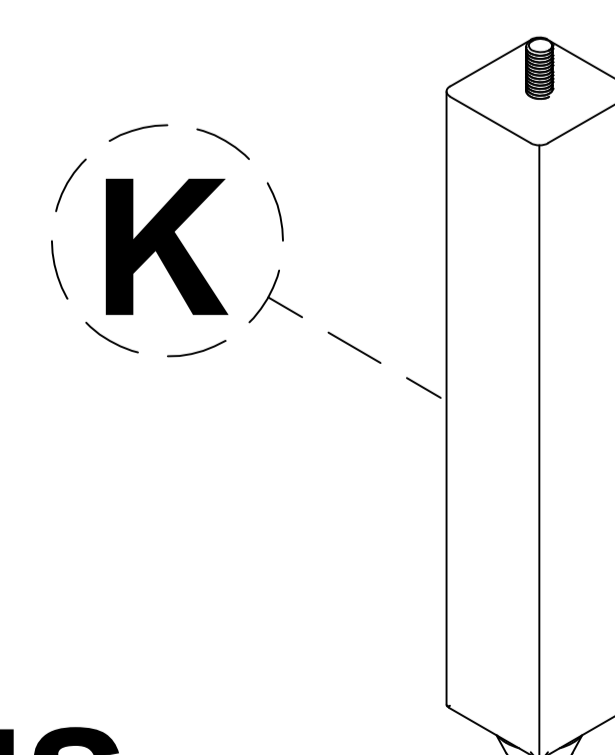
Slats - H
(5pcs)



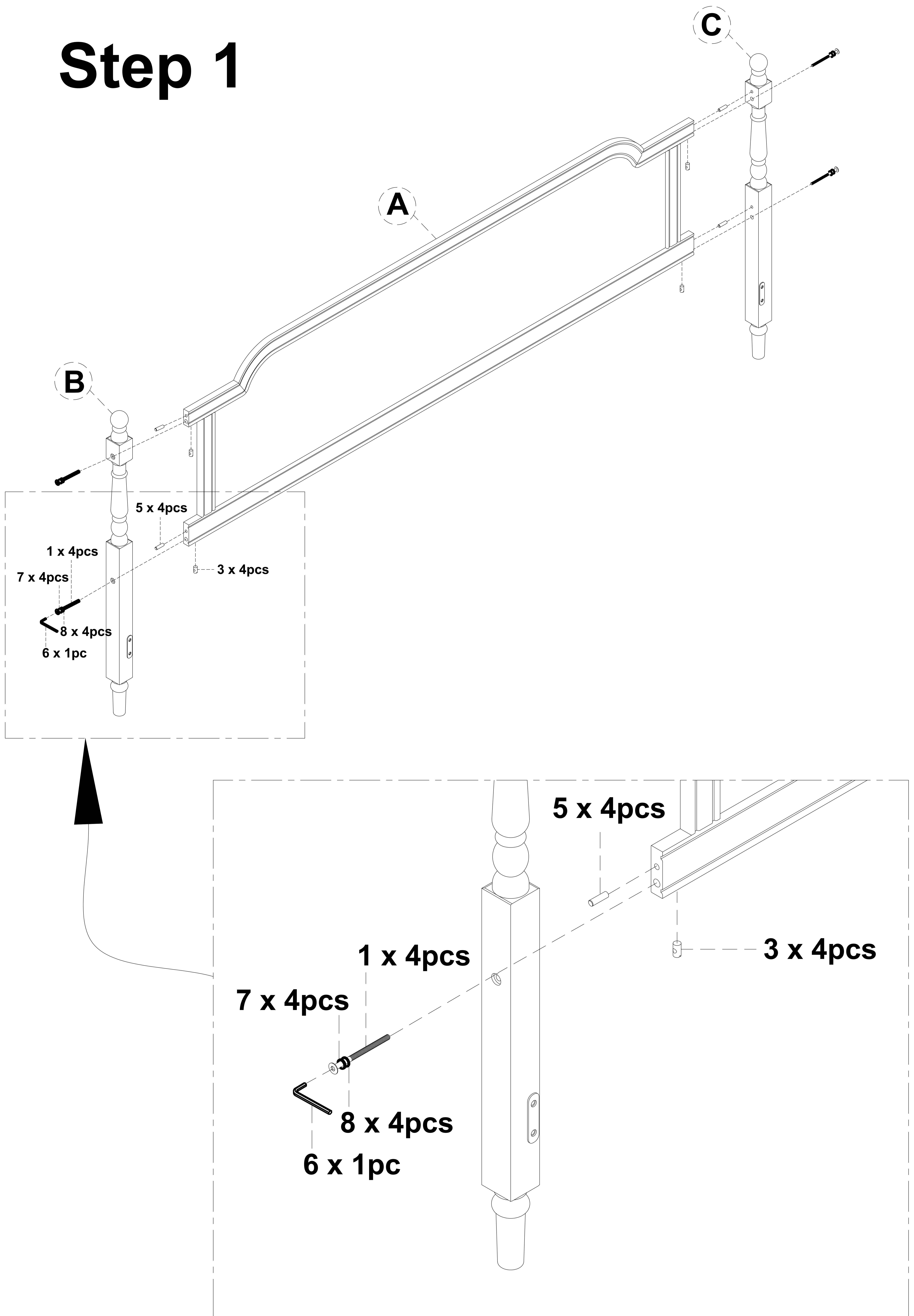
Slats Y
(5pcs)



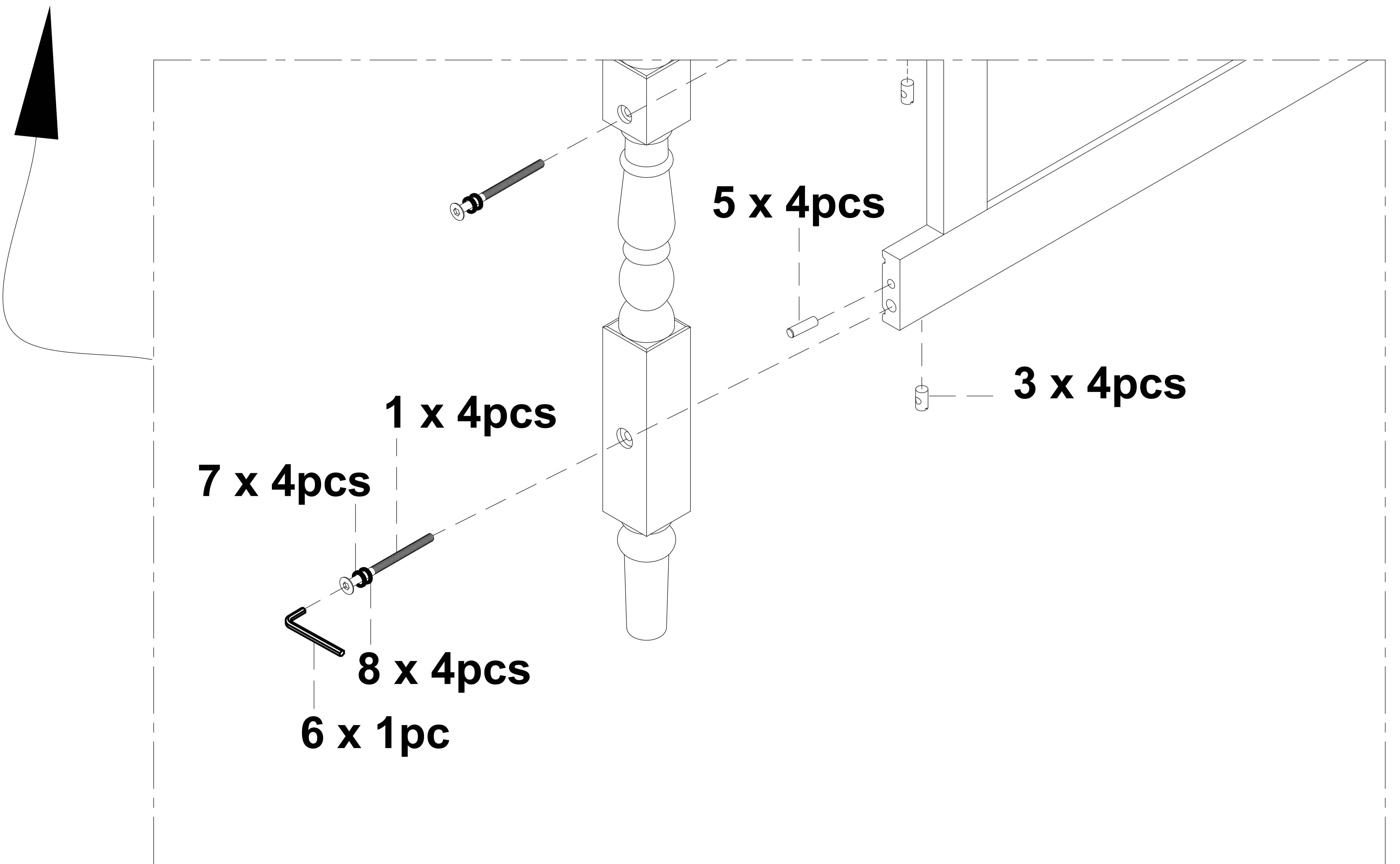
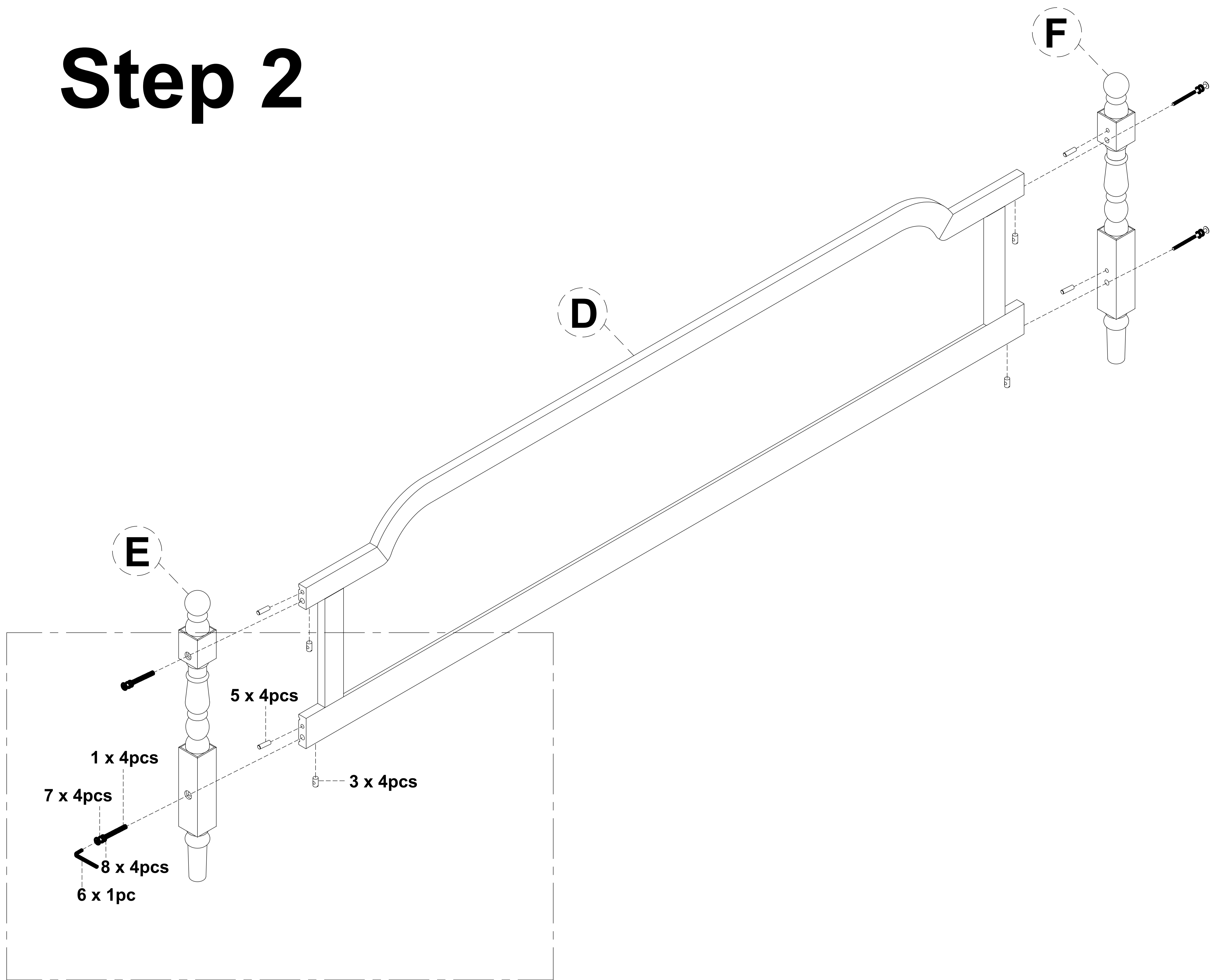
Legs
(10pcs)



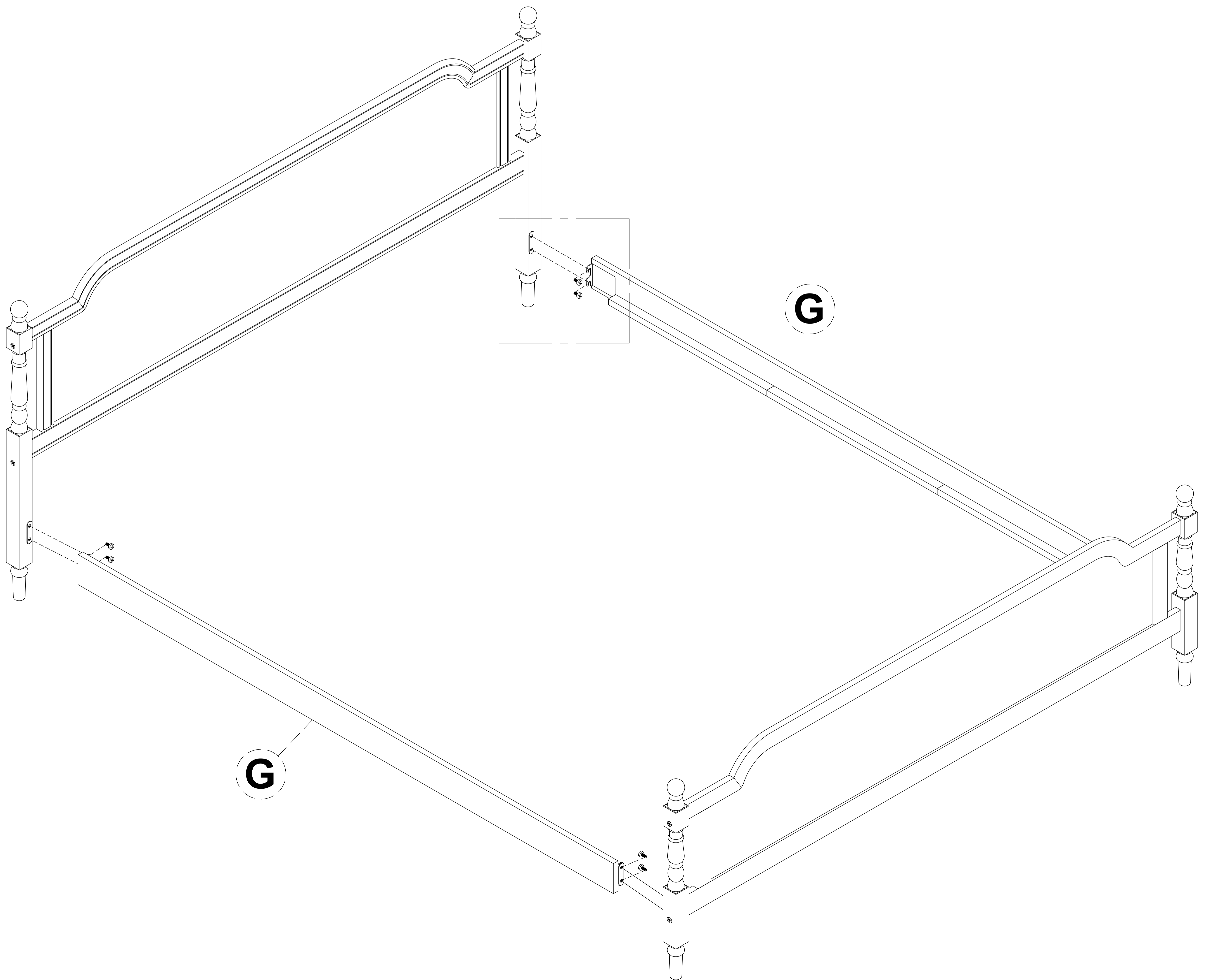
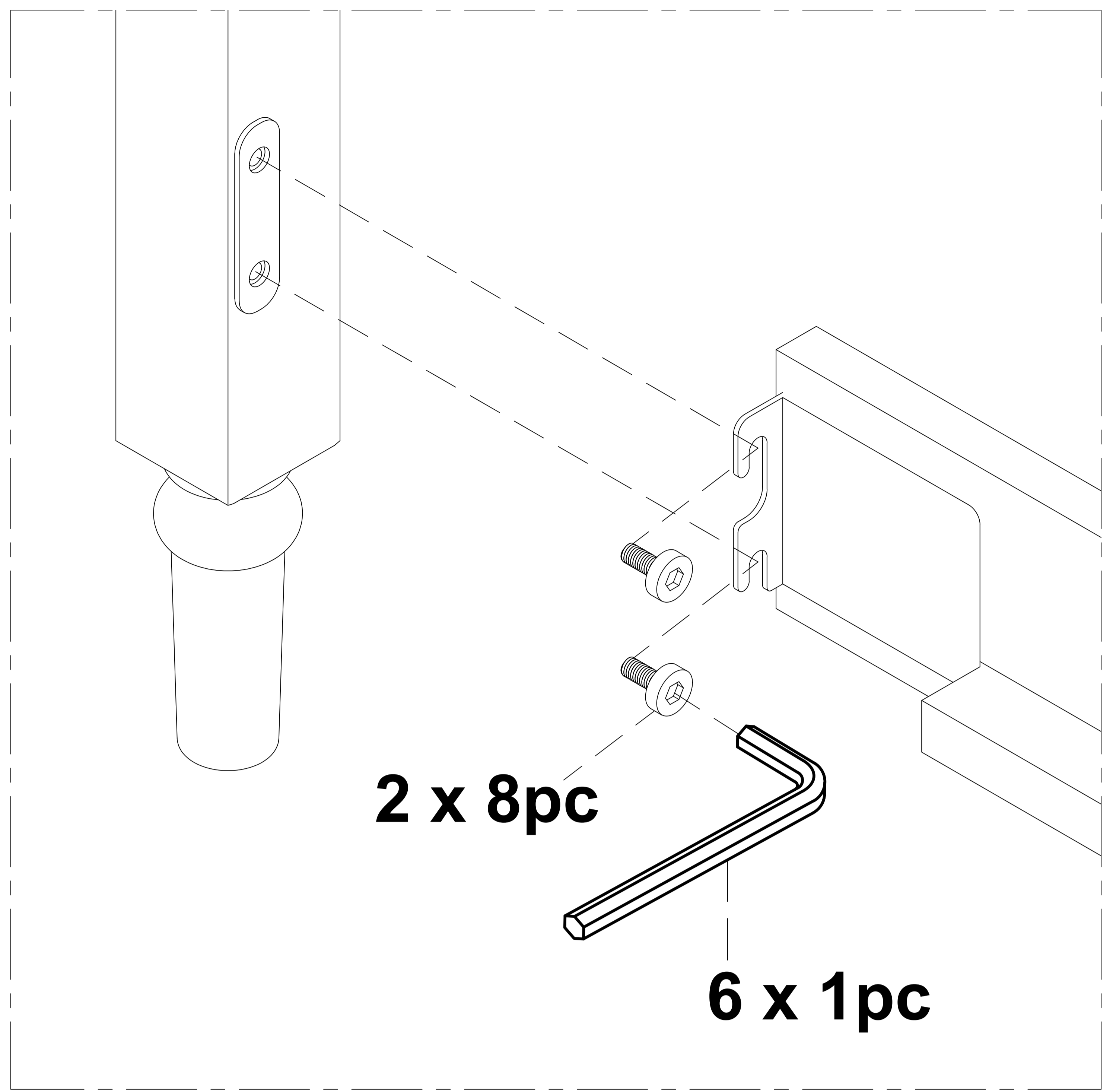
Step 1



Step 2

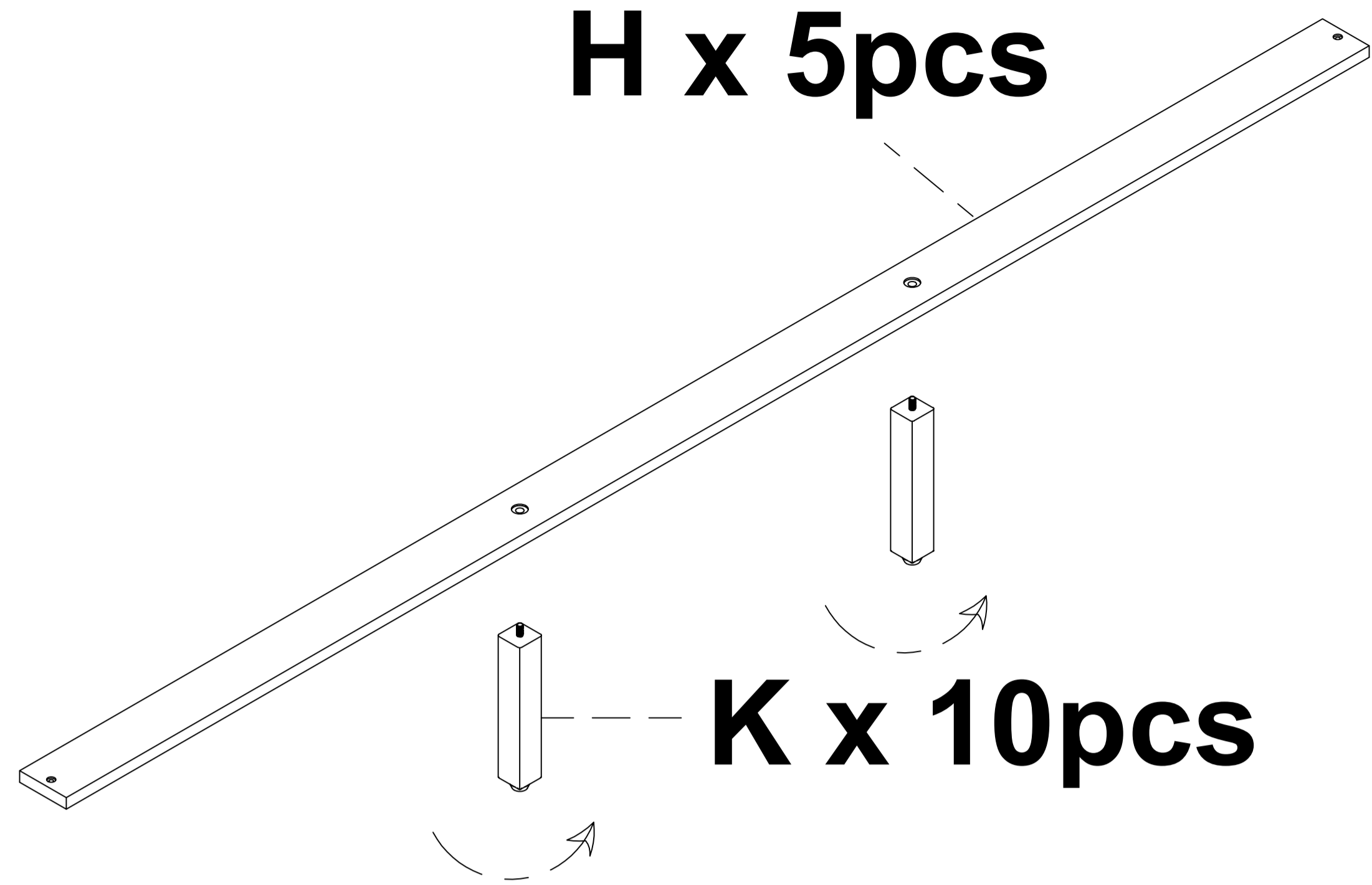


Step 3

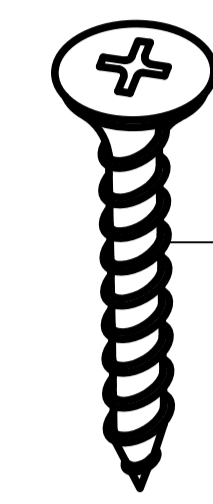
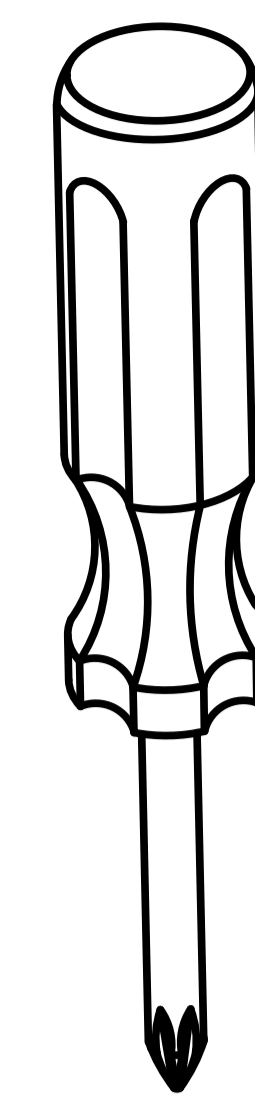


Step 4

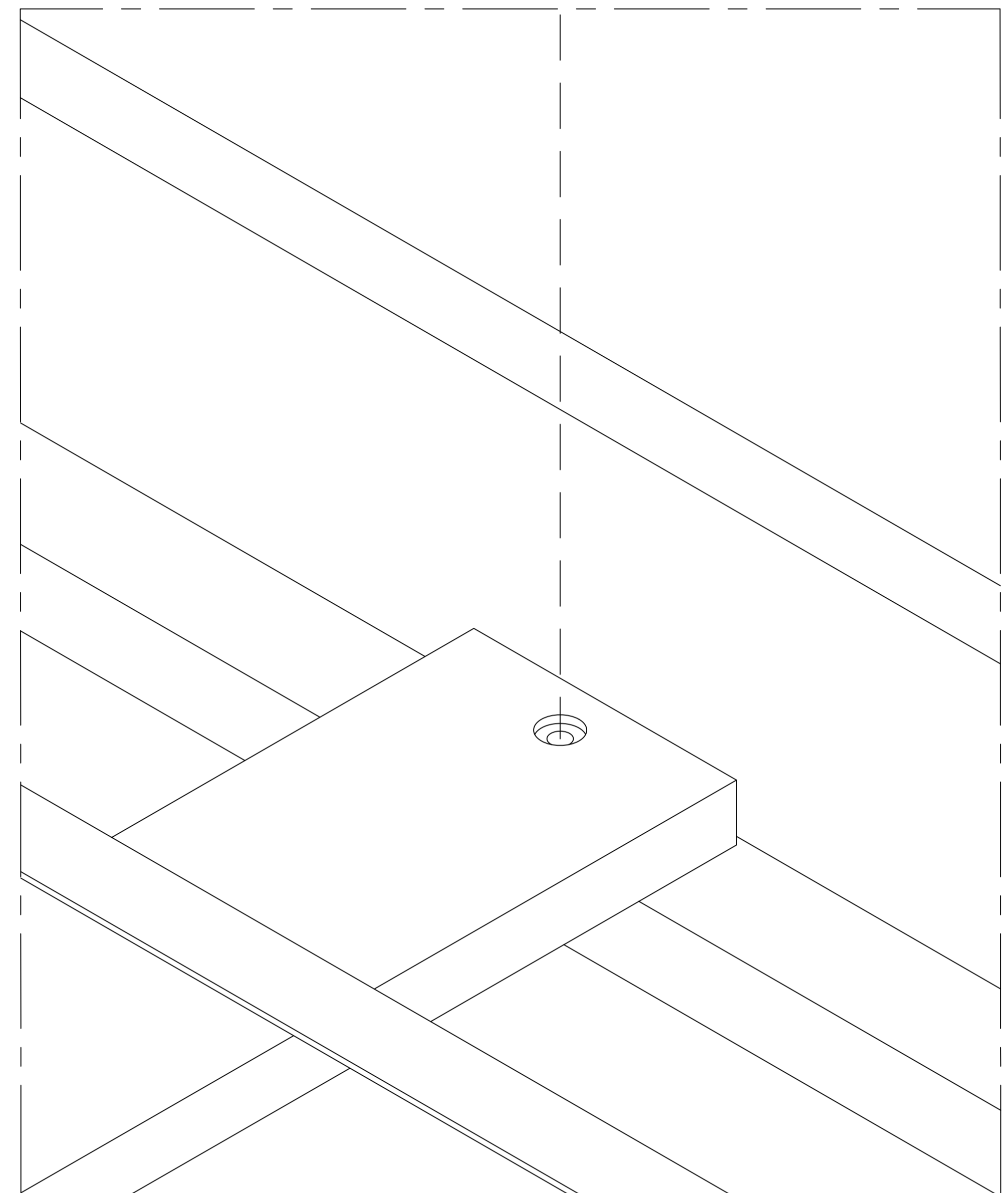
H x 5pcs



K x 10pcs



4 x 20pcs



Step 5

