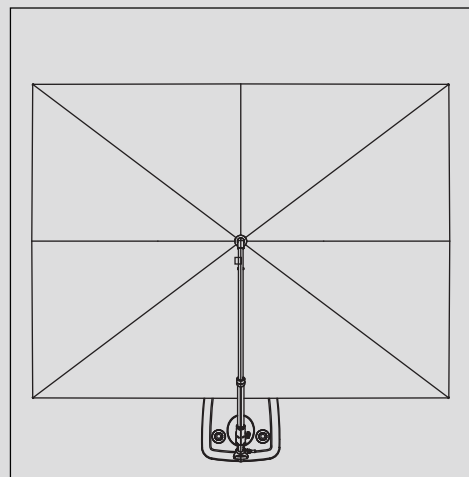
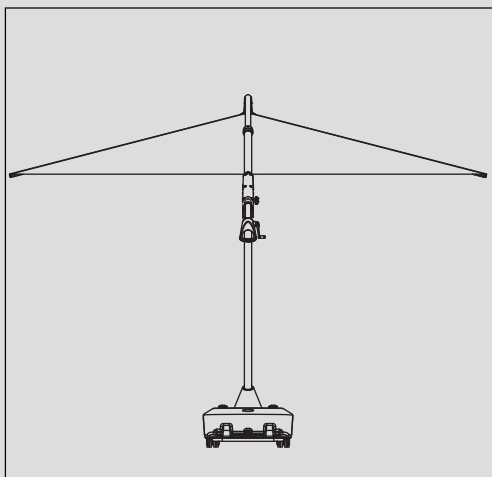
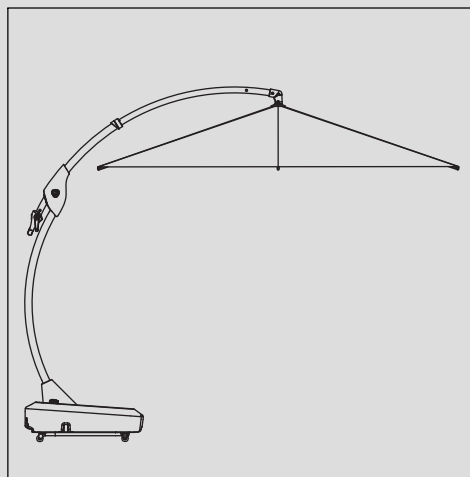
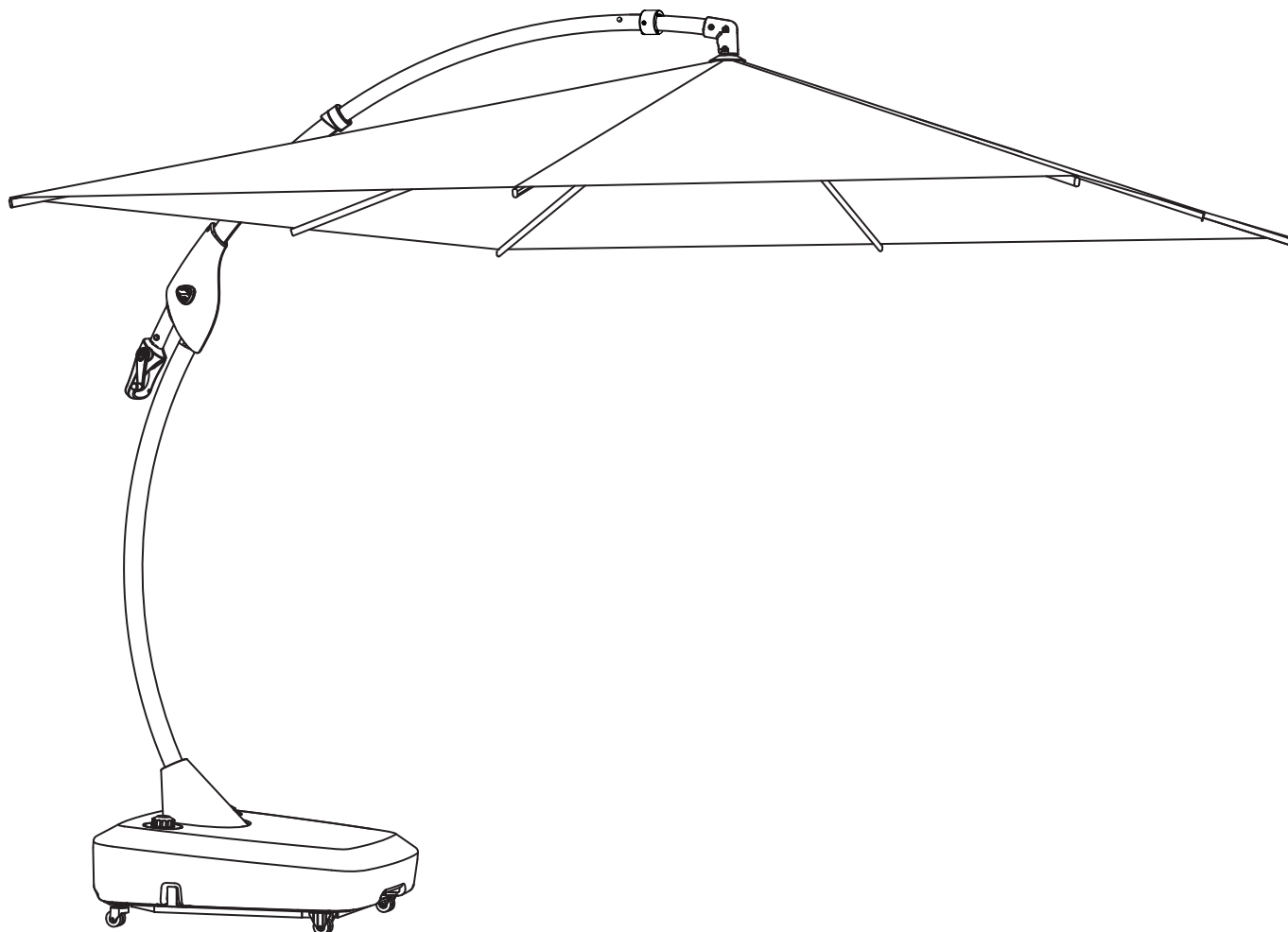
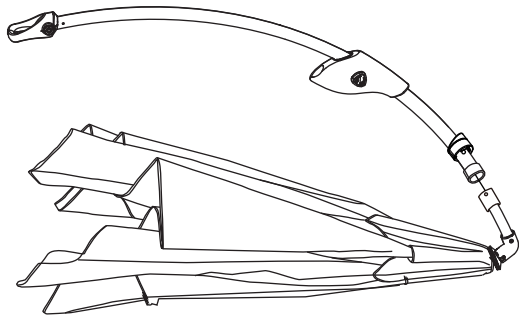


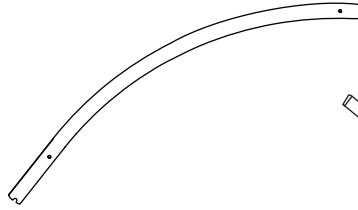
HANGING UMBRELLA

ASSEMBLY INSTRUCTIONS

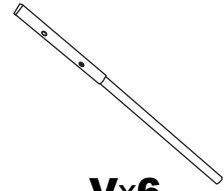




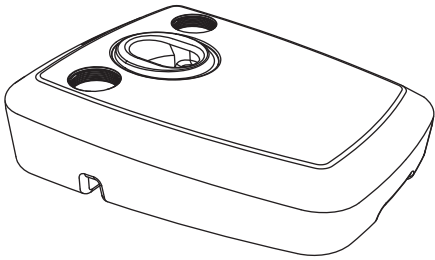
Ax1



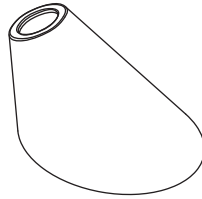
Bx1



Vx6



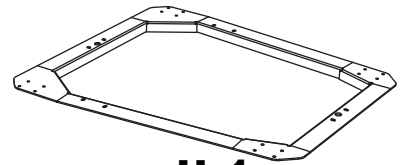
Cx1



Dx1



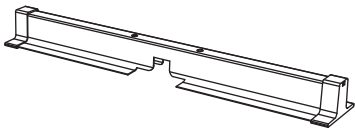
Ex2



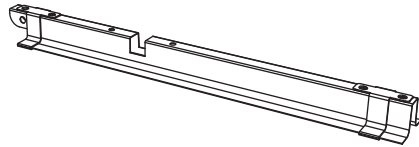
Hx1



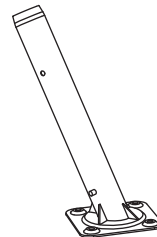
ATTENTION: C&D&E&H in carton 2



Fx1



Gx1



Ix1



Jx2



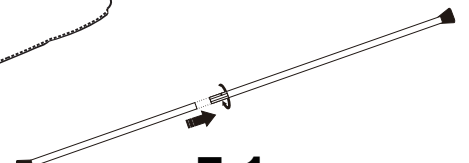
Kx2



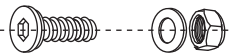
Lx1



Yx1



Zx1



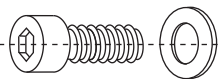
M6X12

Mx24



M8X14

Nx3



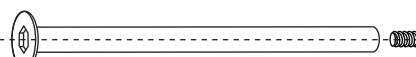
M10X20

Ox4



M8X65

Px1

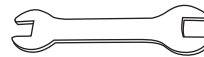


M6XØ8.8X68

Qx1



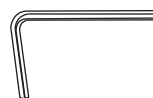
Rx1



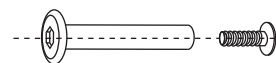
Sx1



Tx1



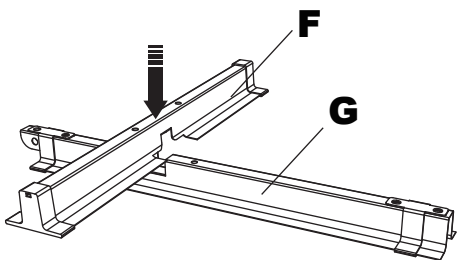
Ux2



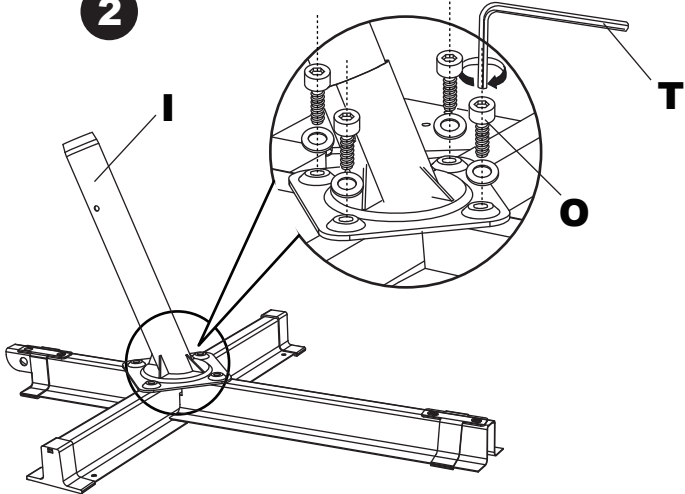
M6XØ7.8X49

Wx1

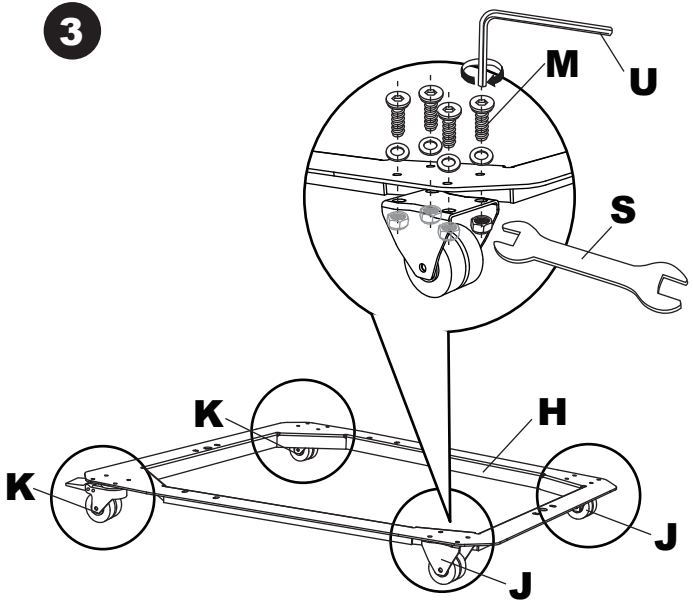
1



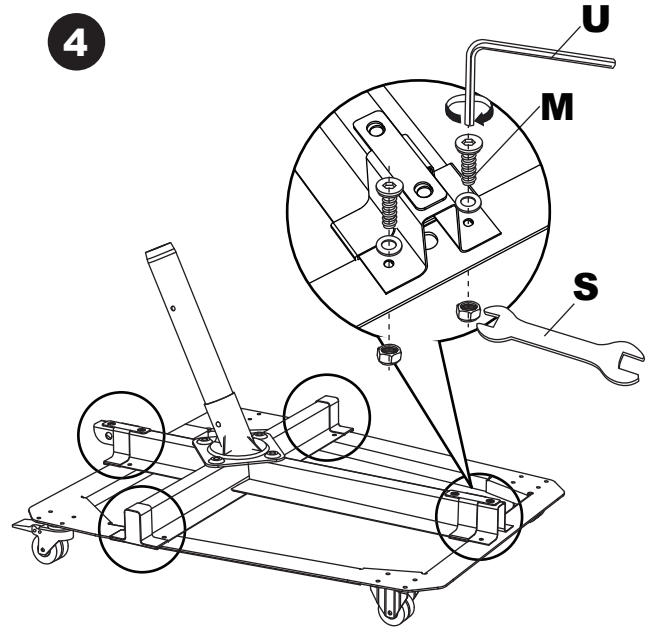
2



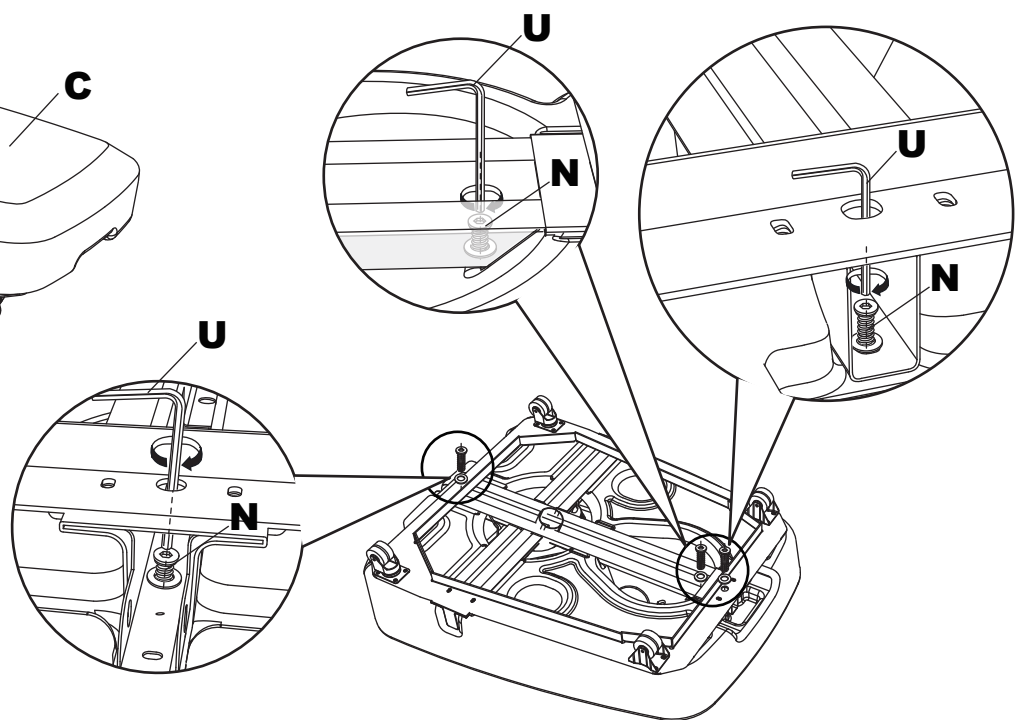
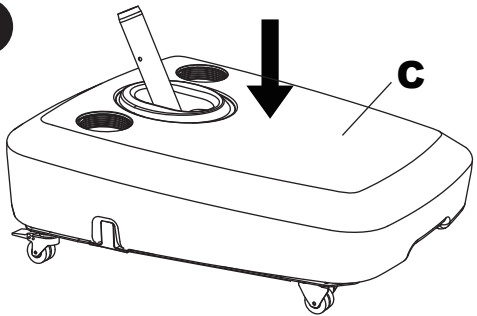
3



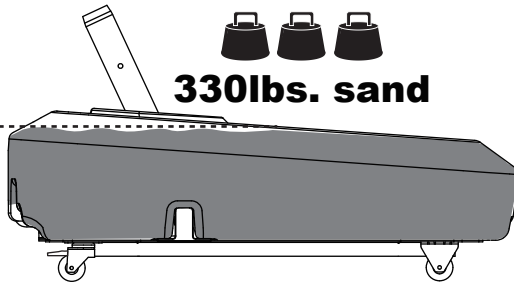
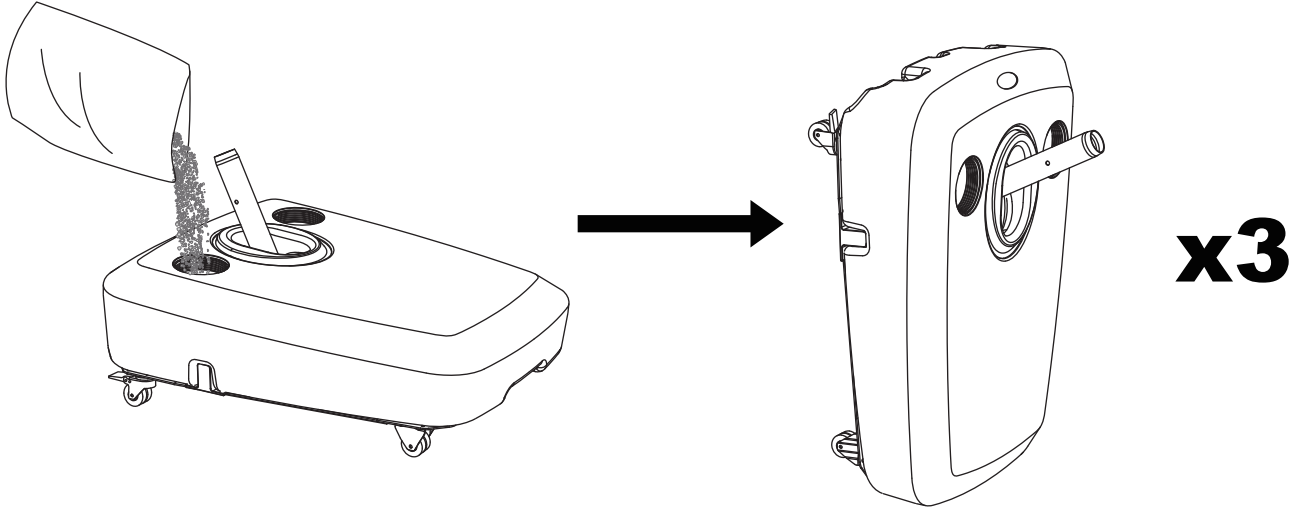
4



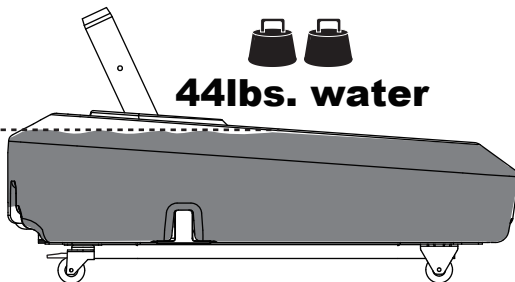
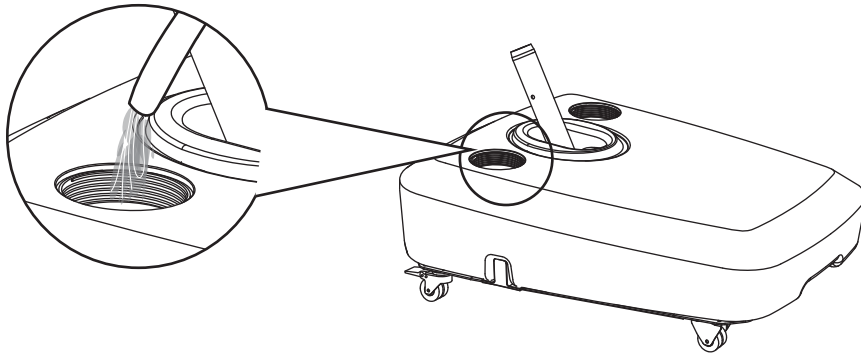
5



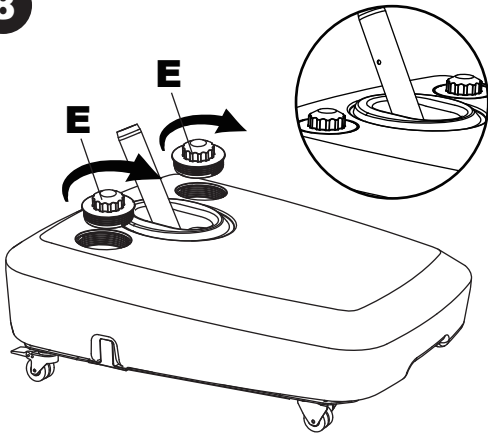
6



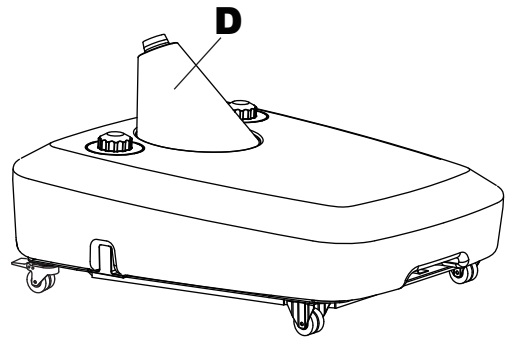
7



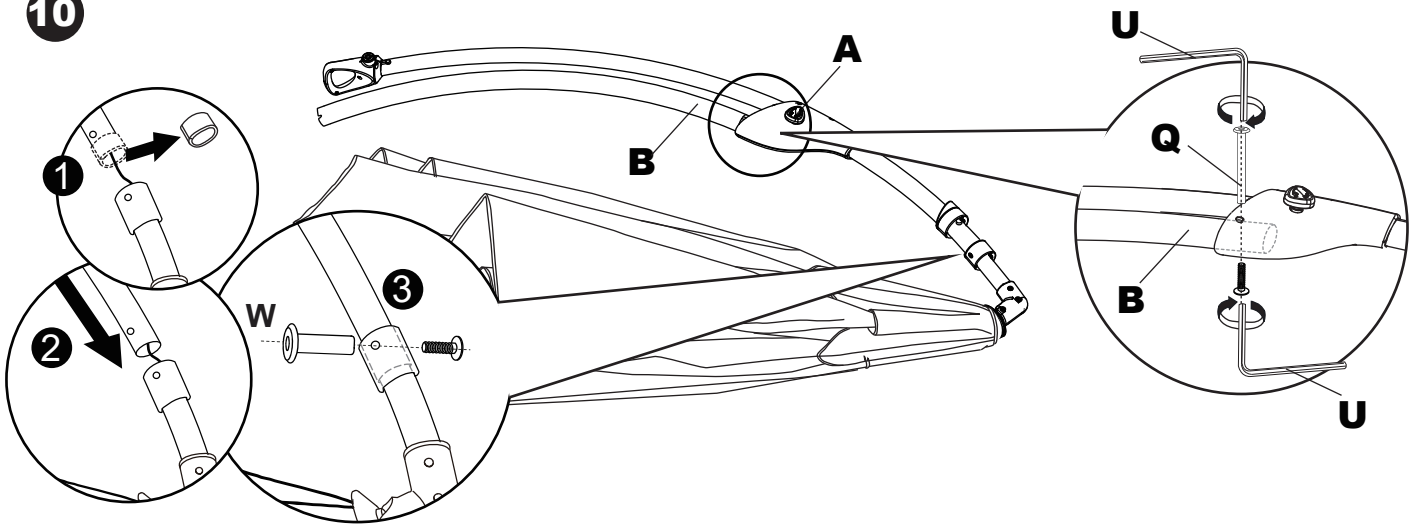
8



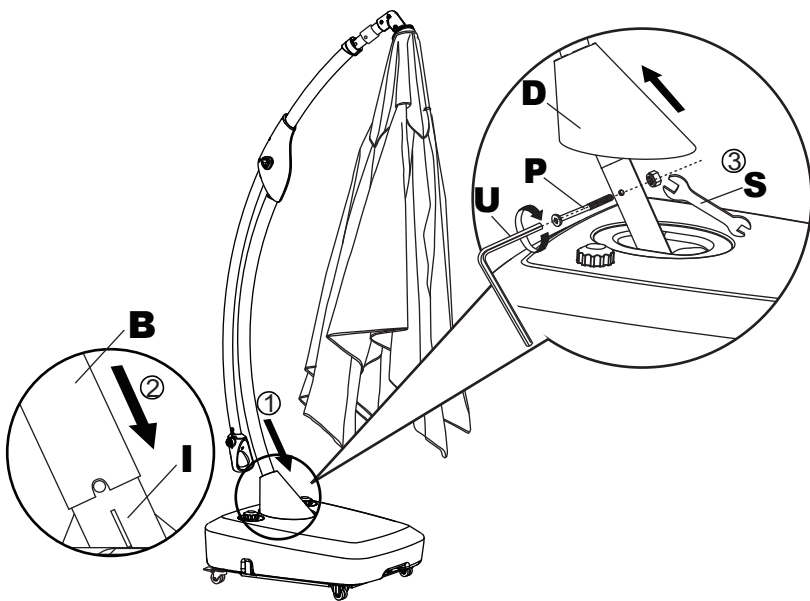
9



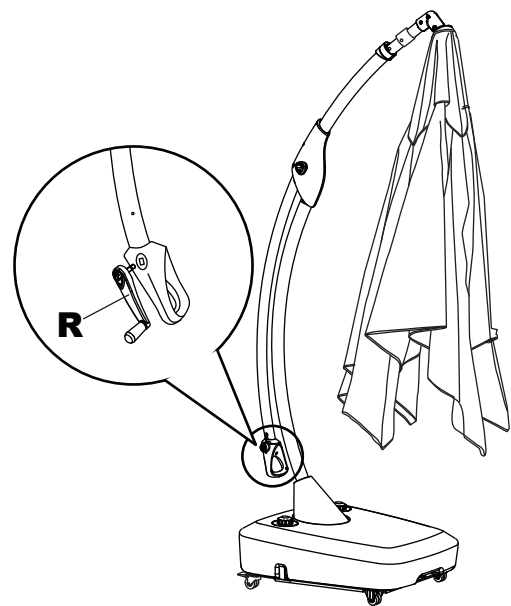
10



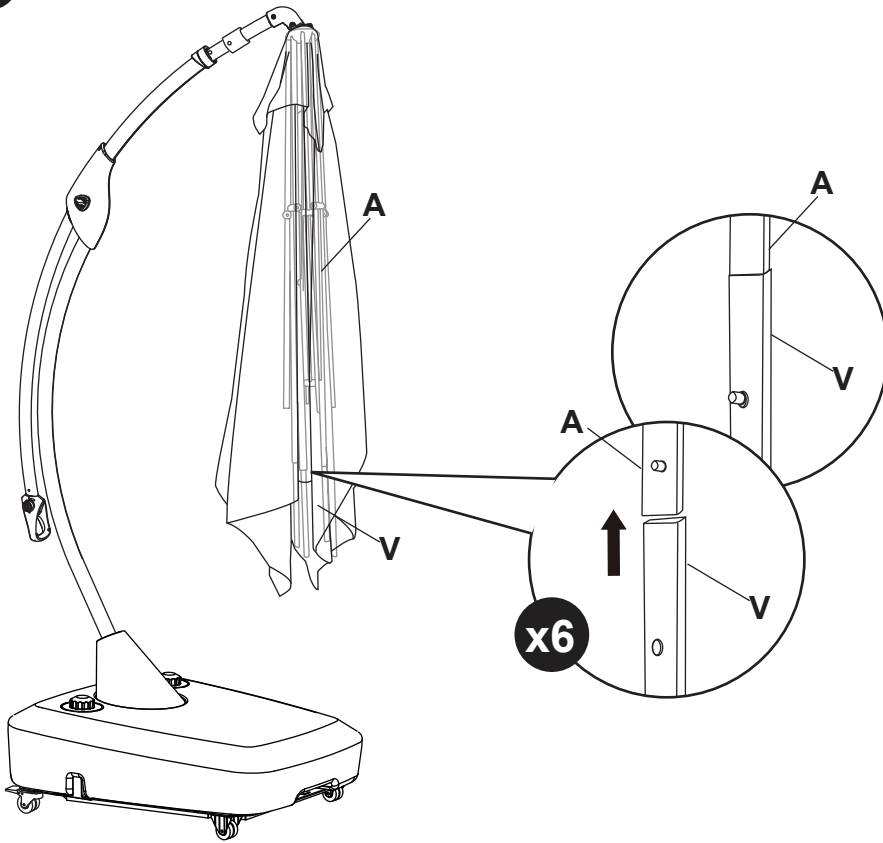
11



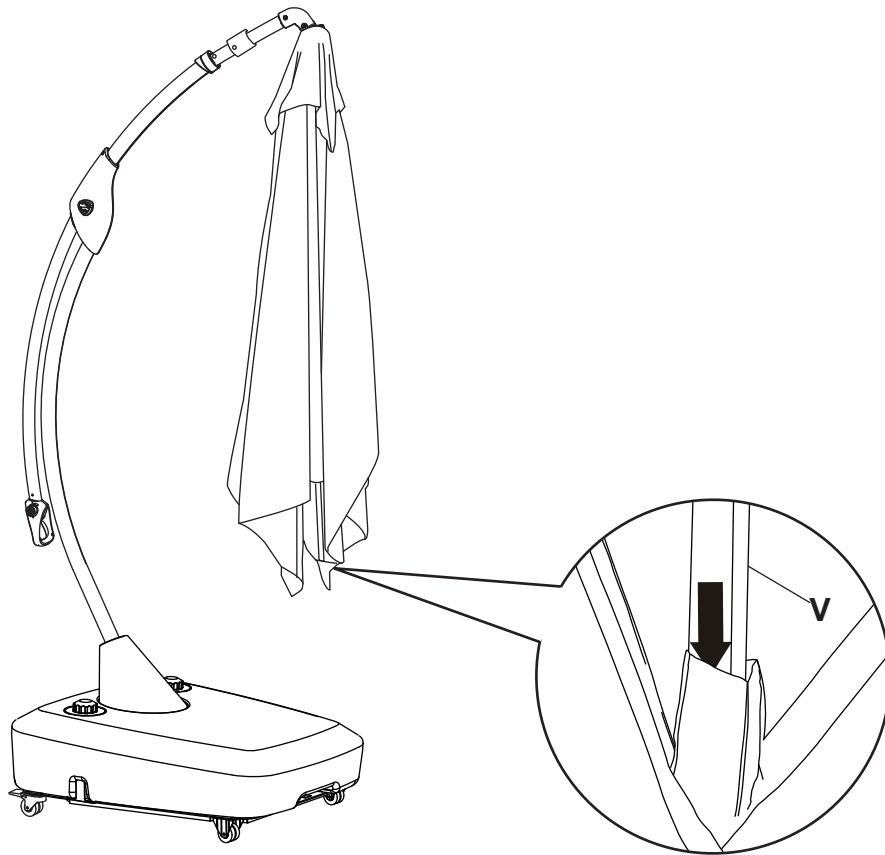
12



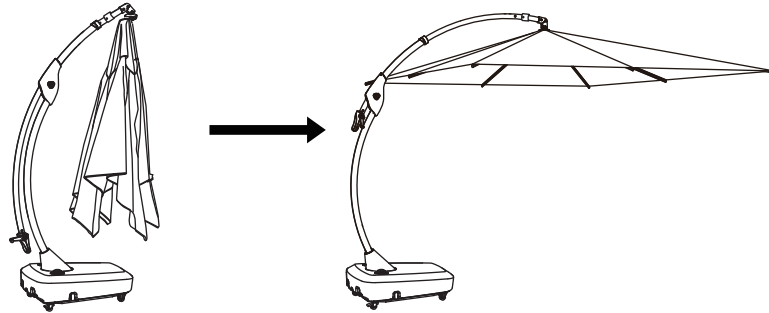
13



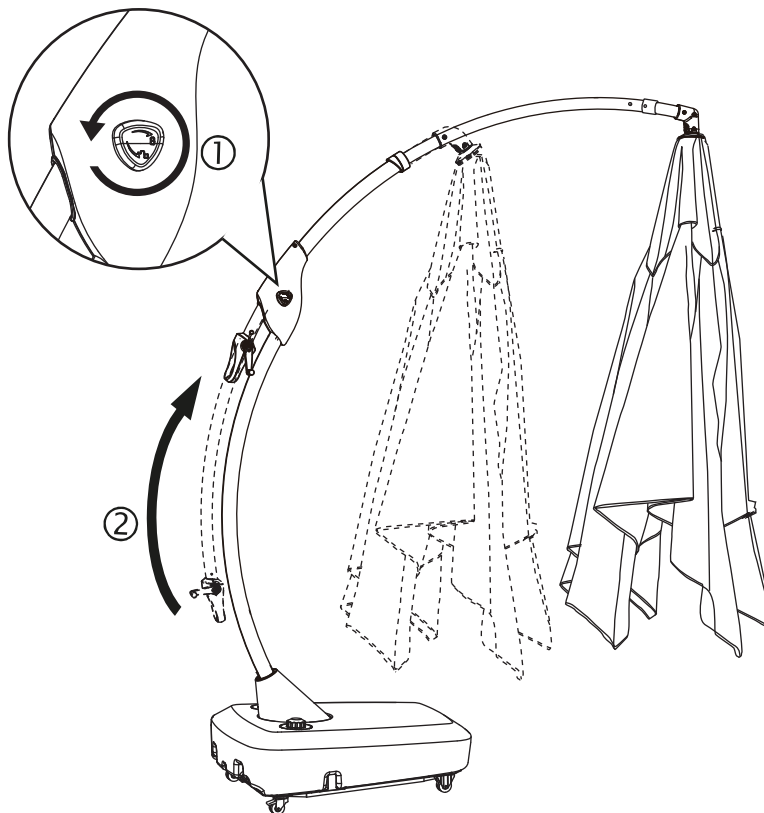
14



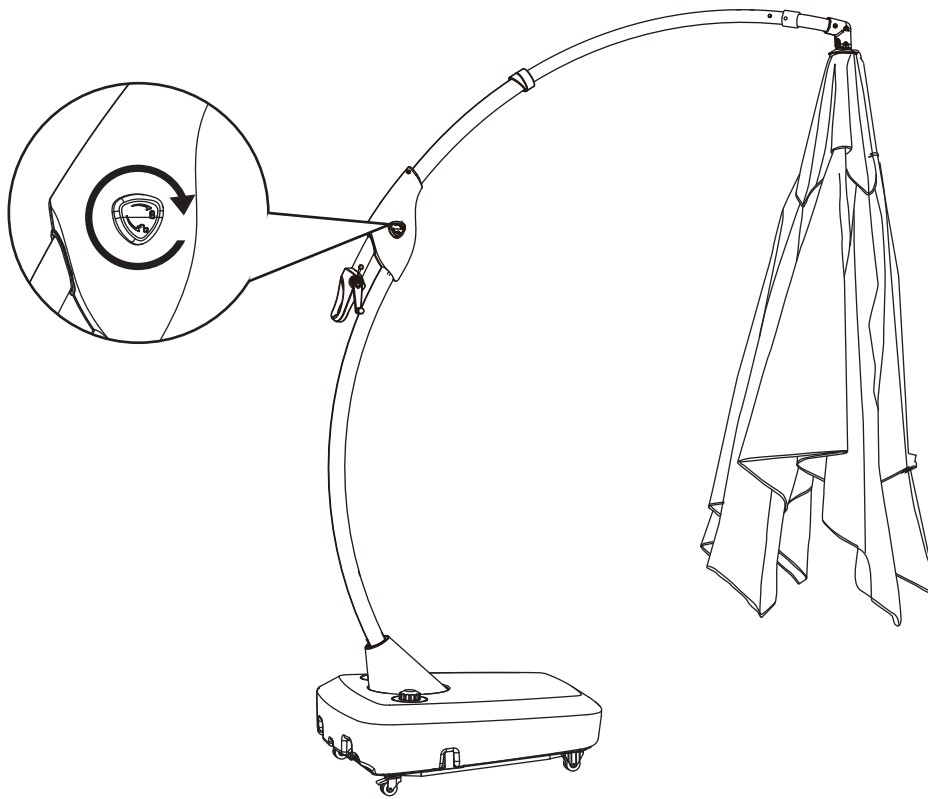
I



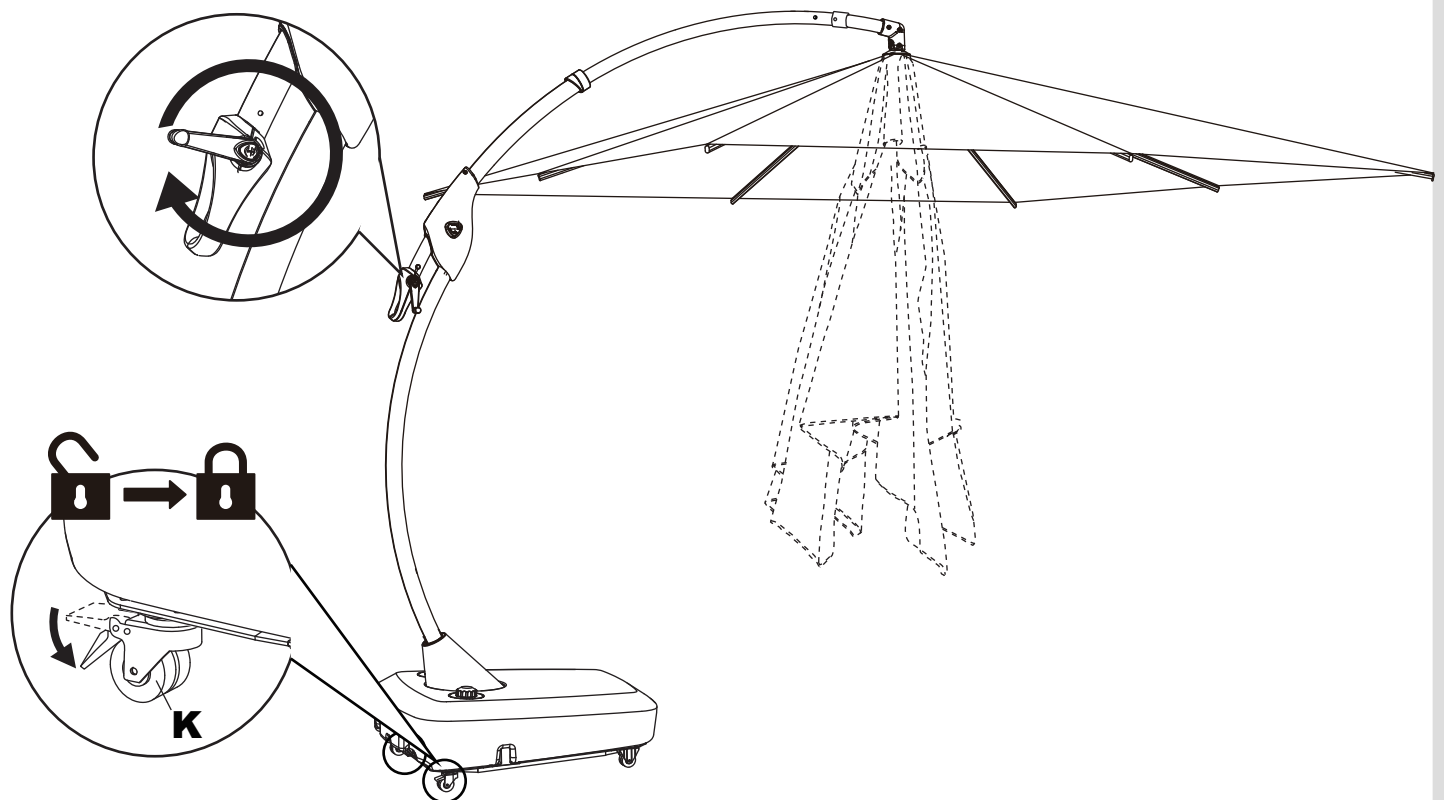
Step 1



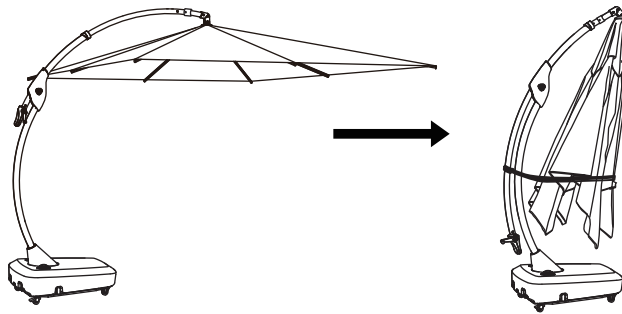
Step 2



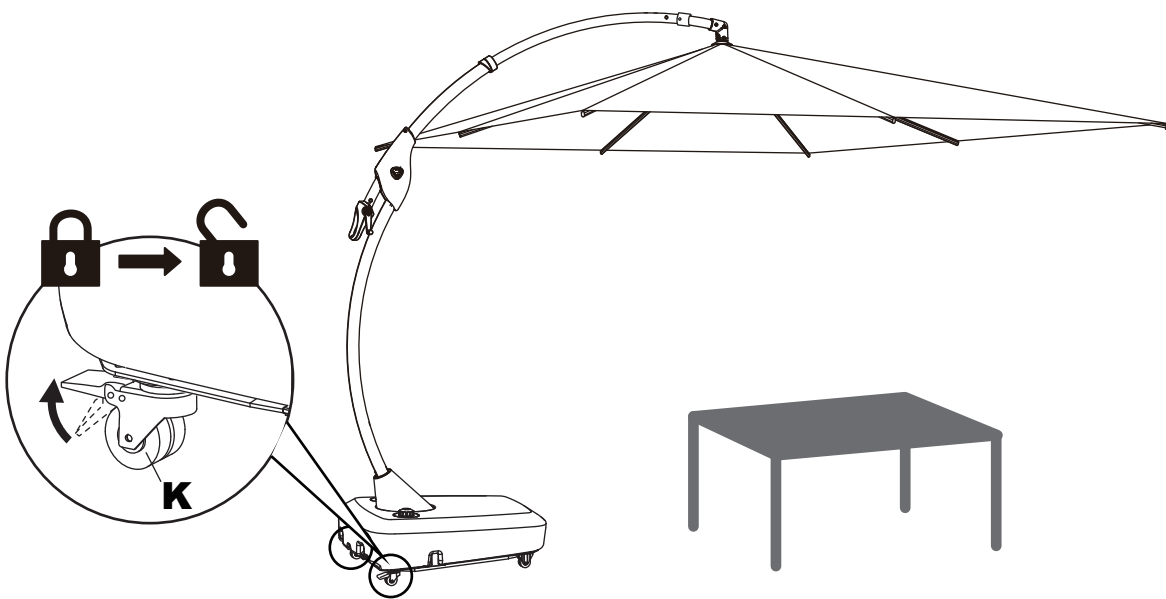
Step 3



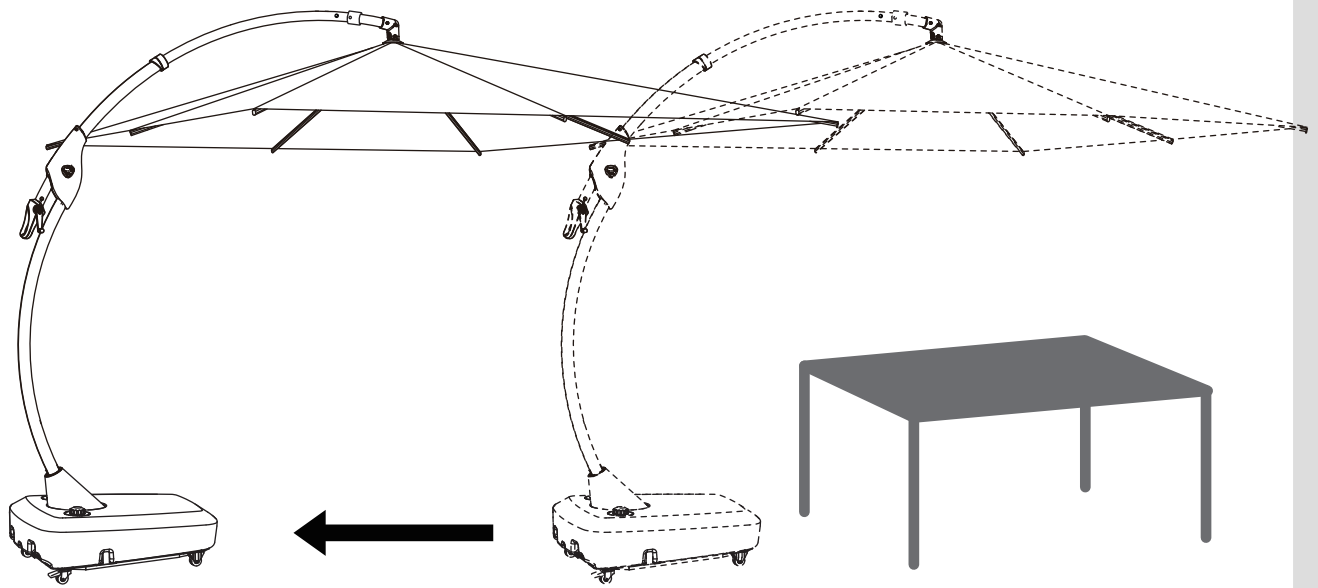
II



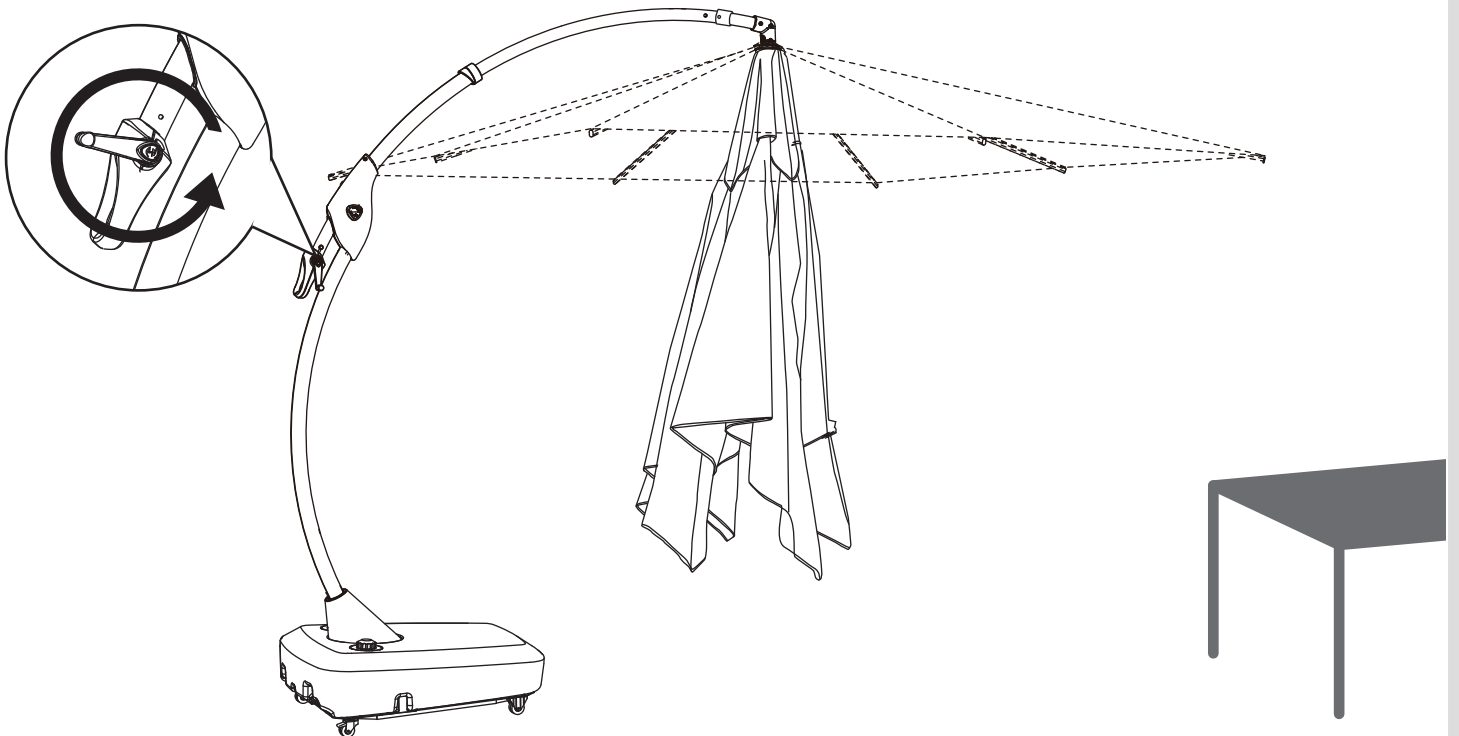
Step 1



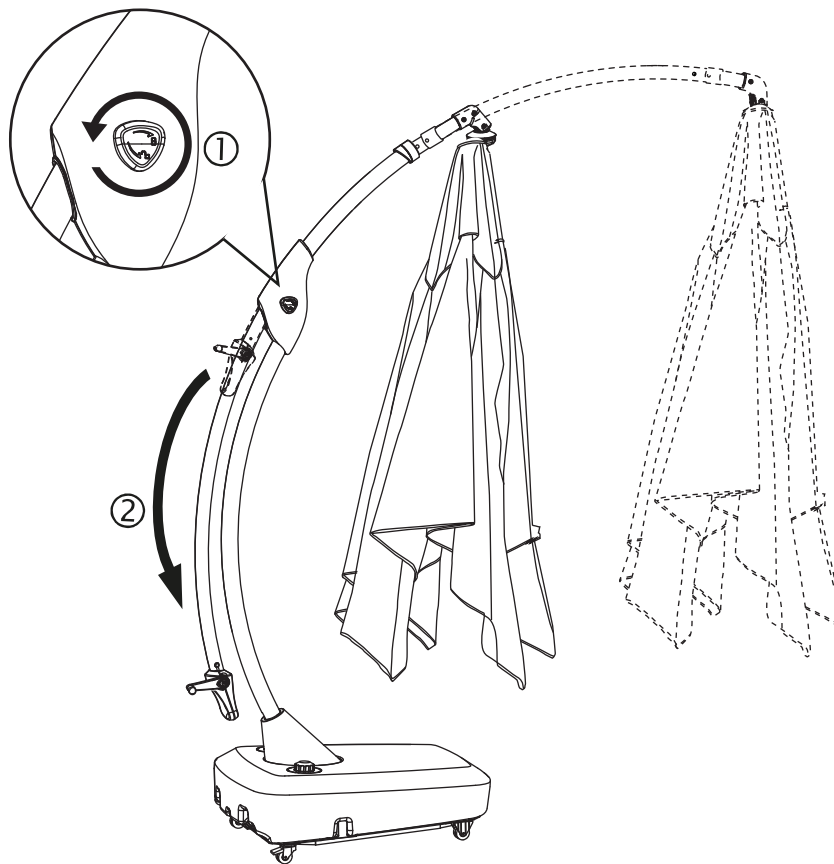
Step 2



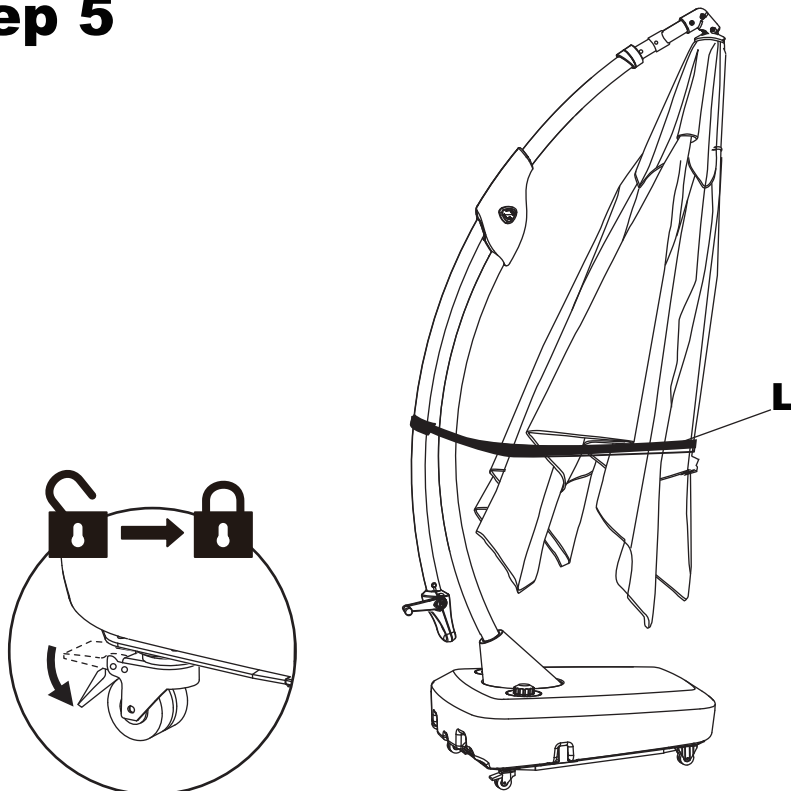
Step 3



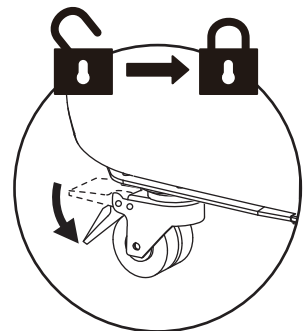
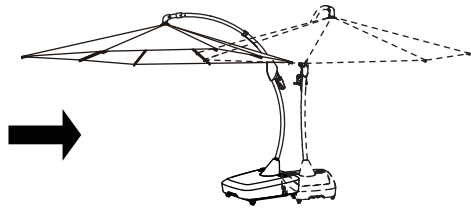
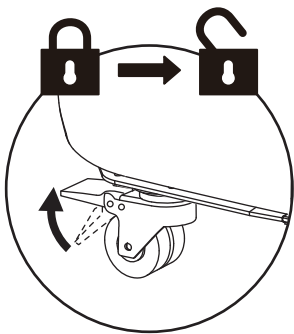
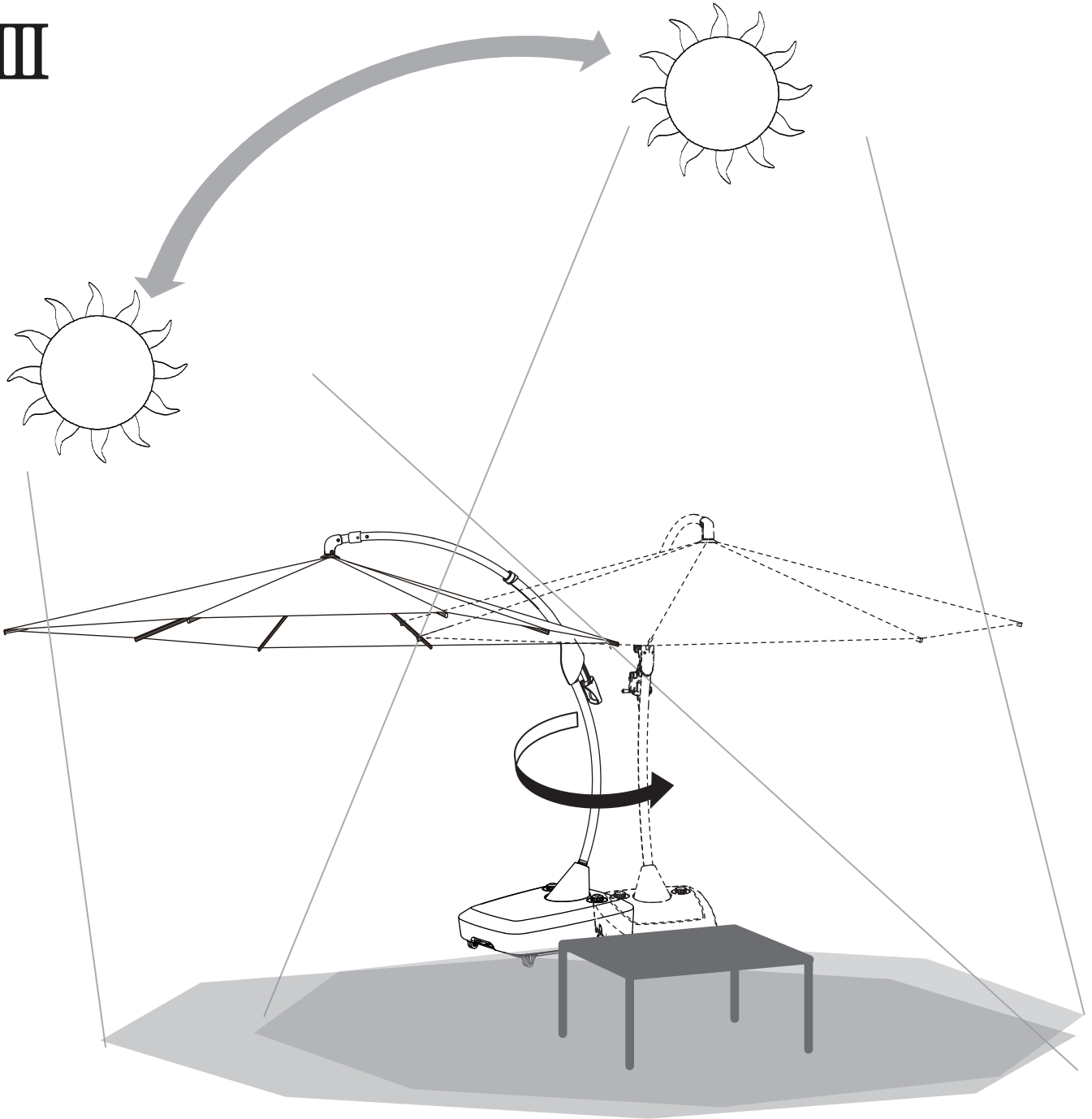
Step 4



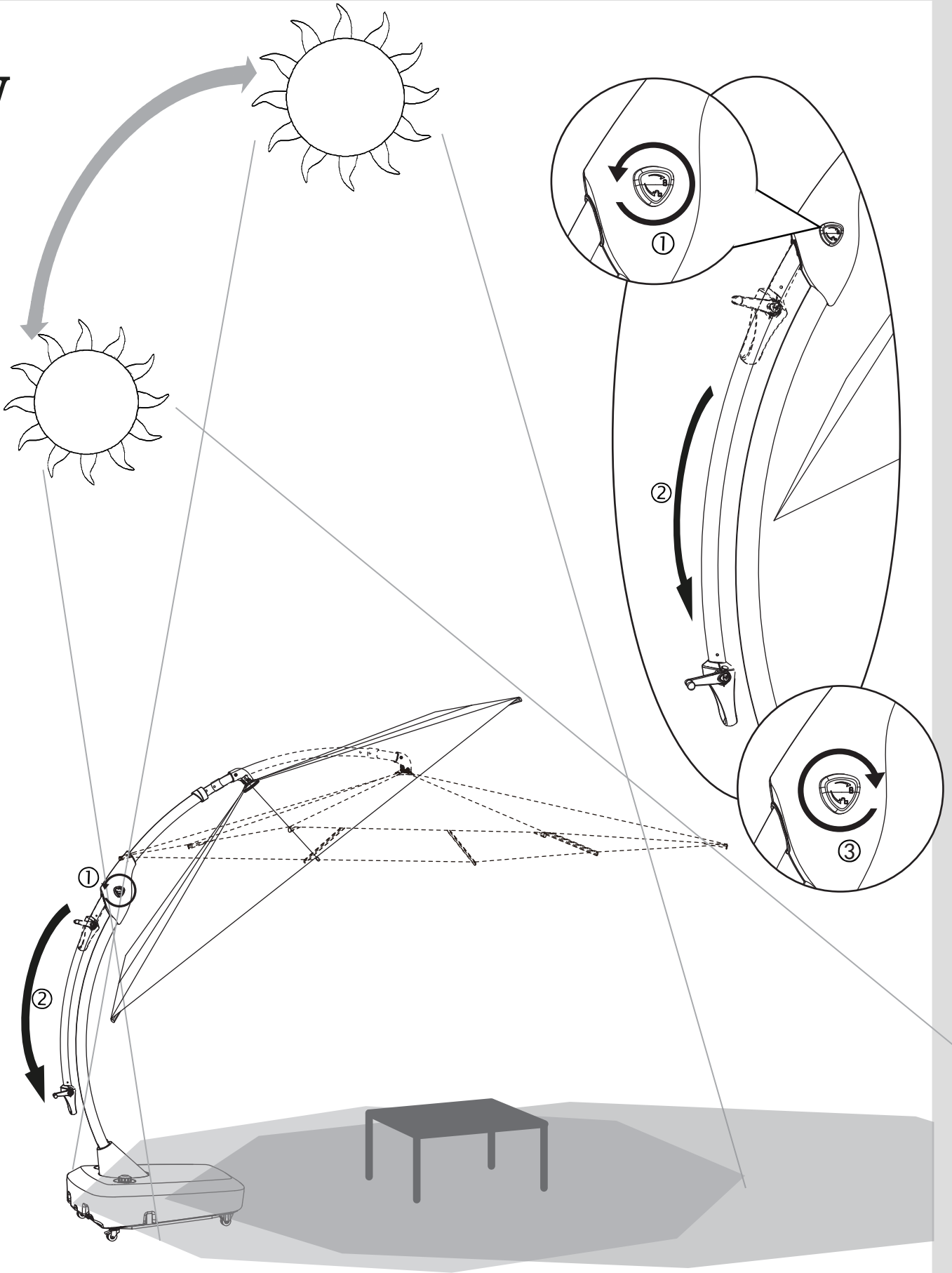
Step 5



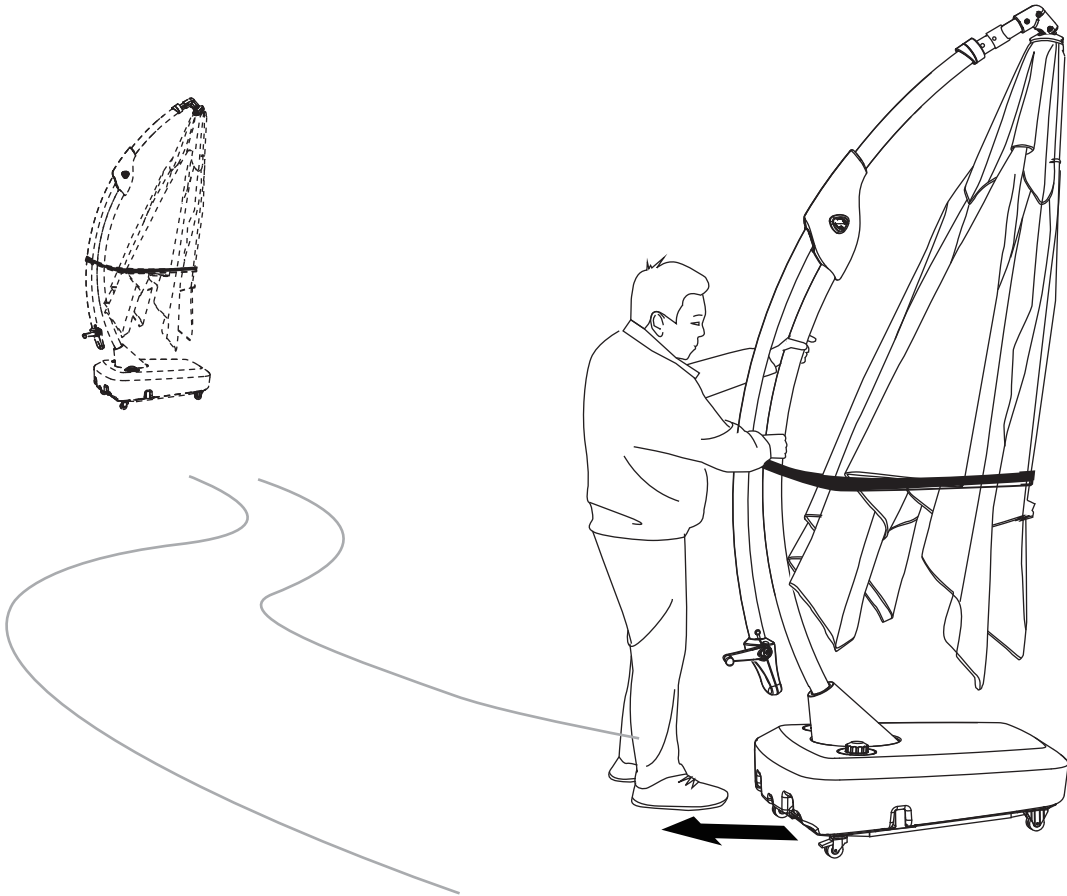
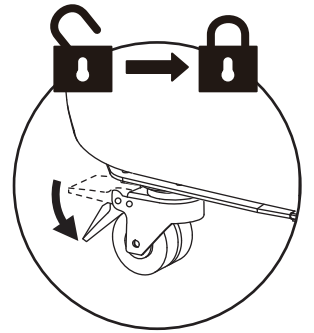
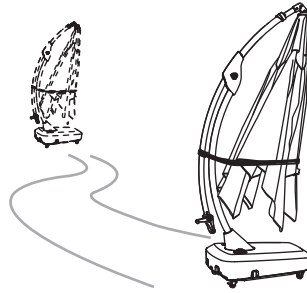
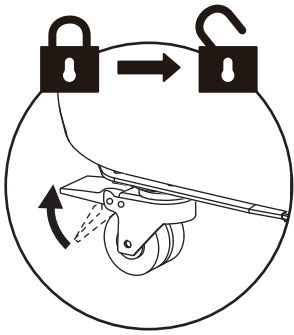
III



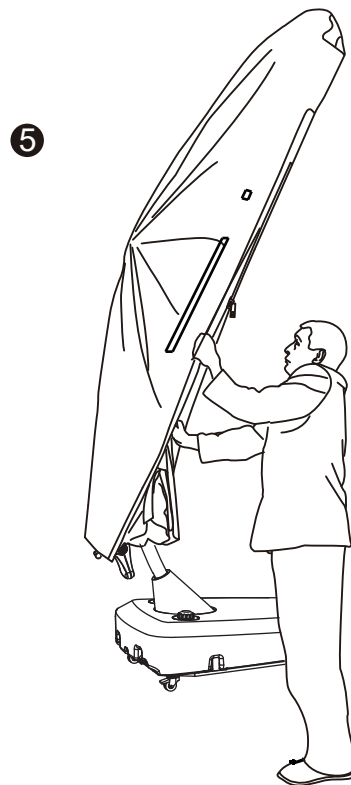
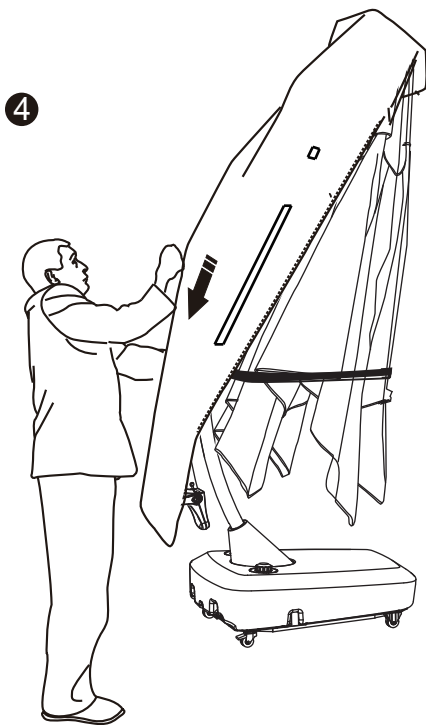
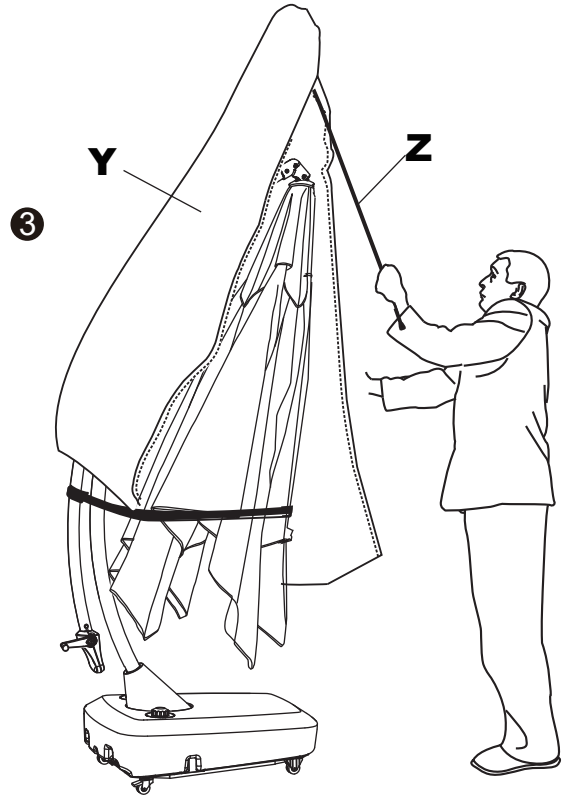
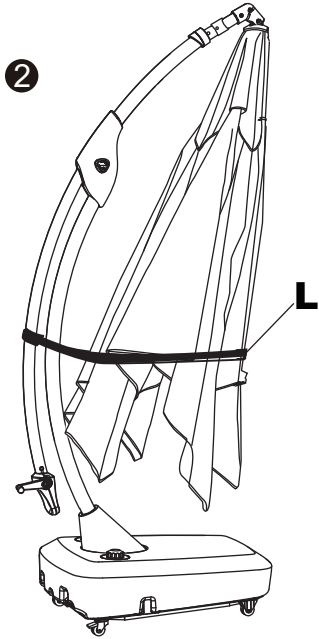
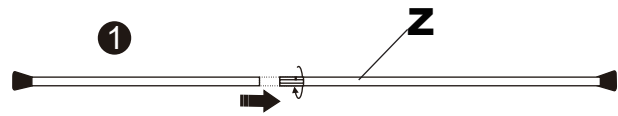
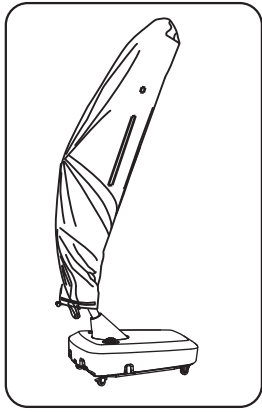
IV



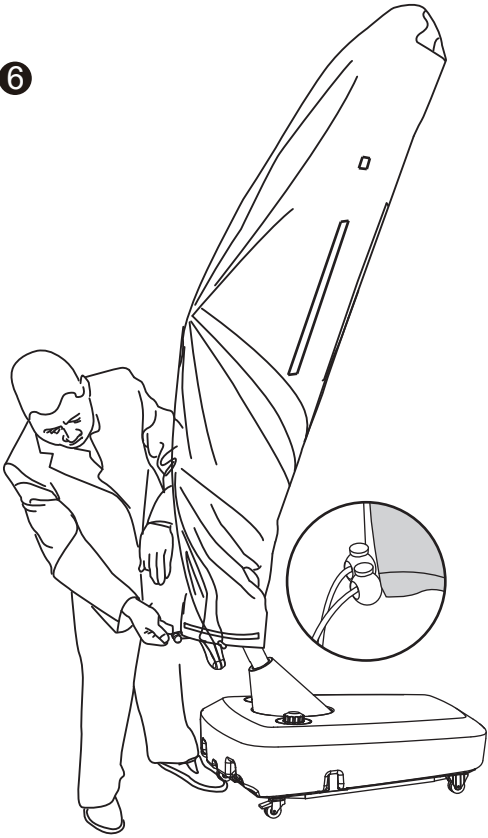
V



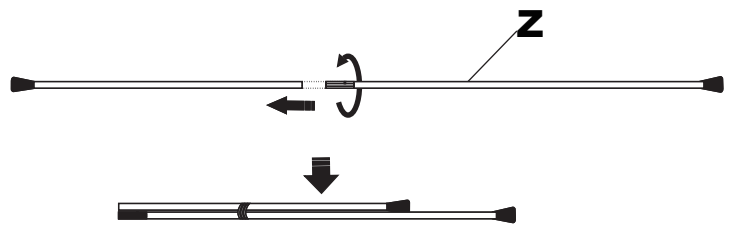
VI



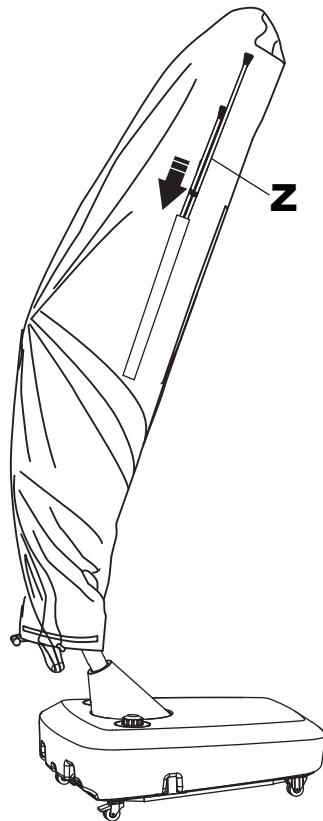
6



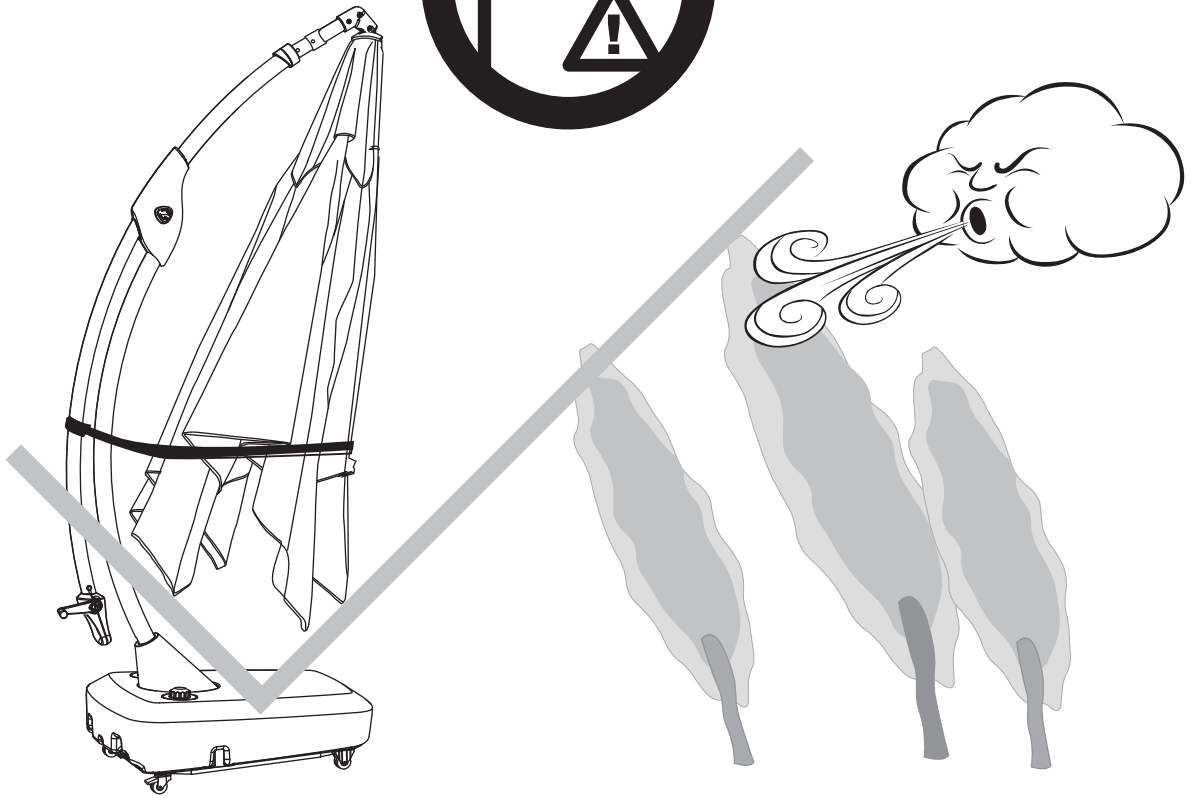
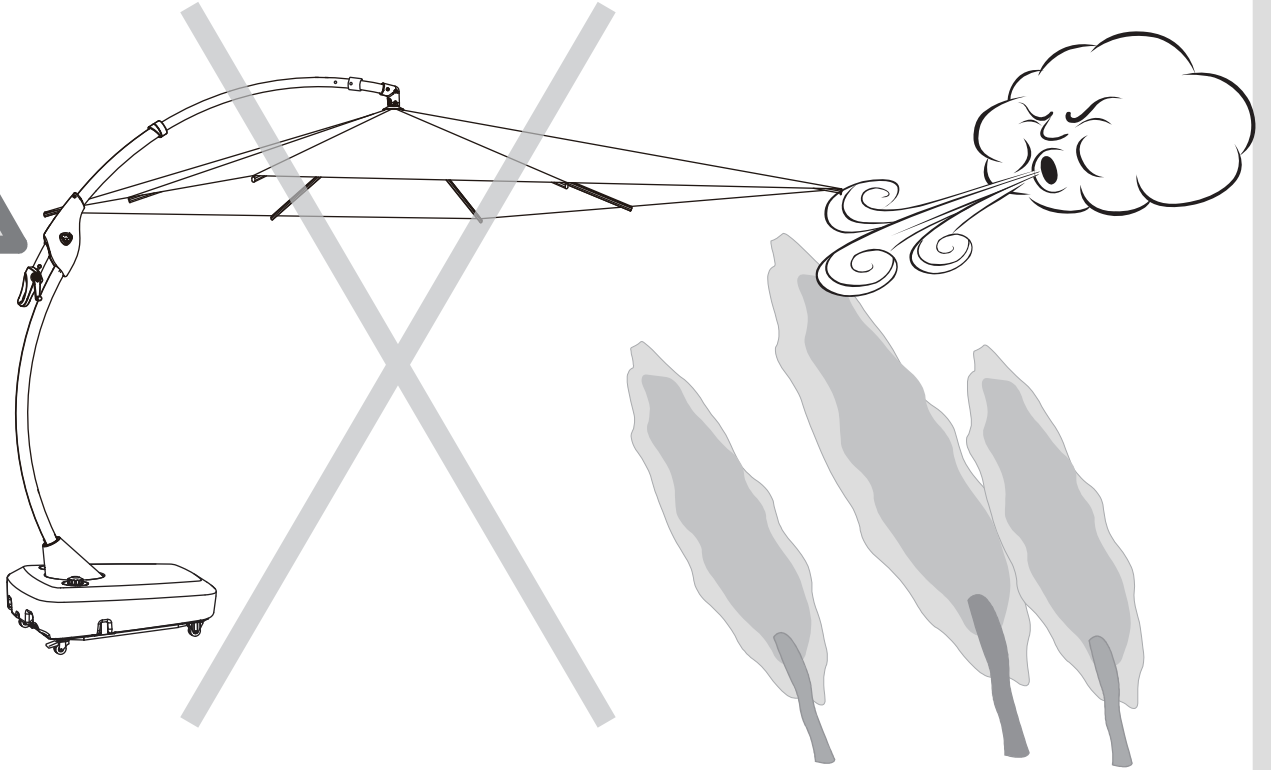
7



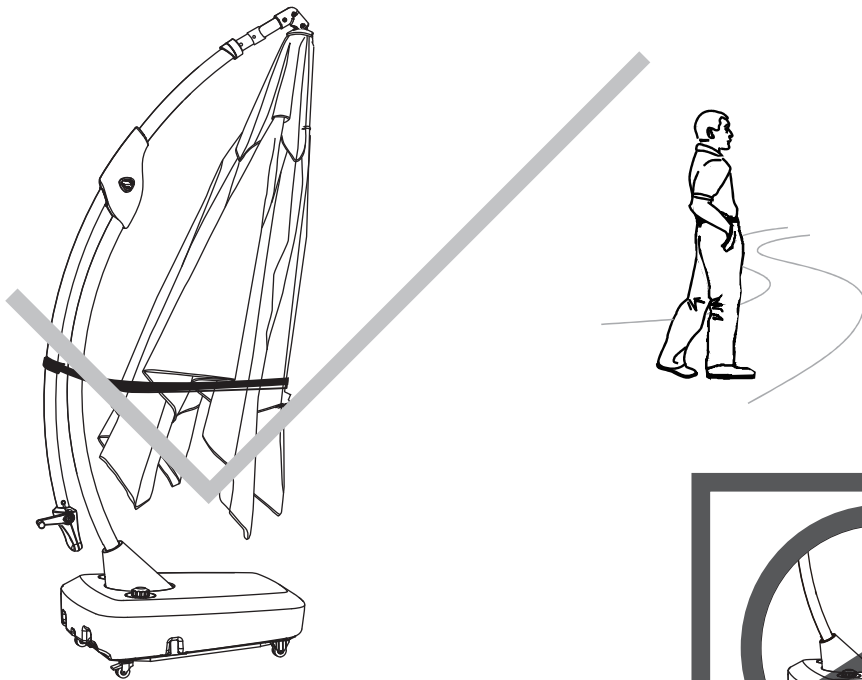
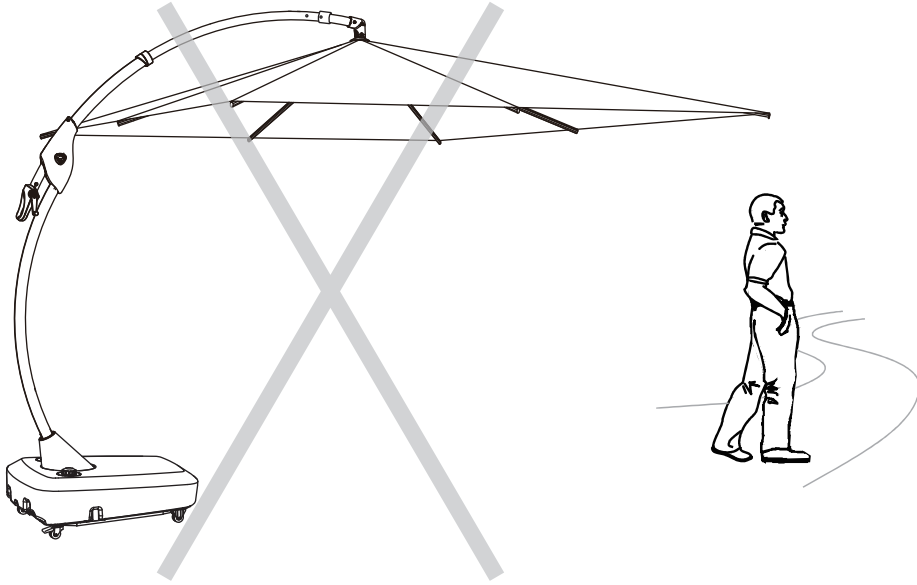
8



VII

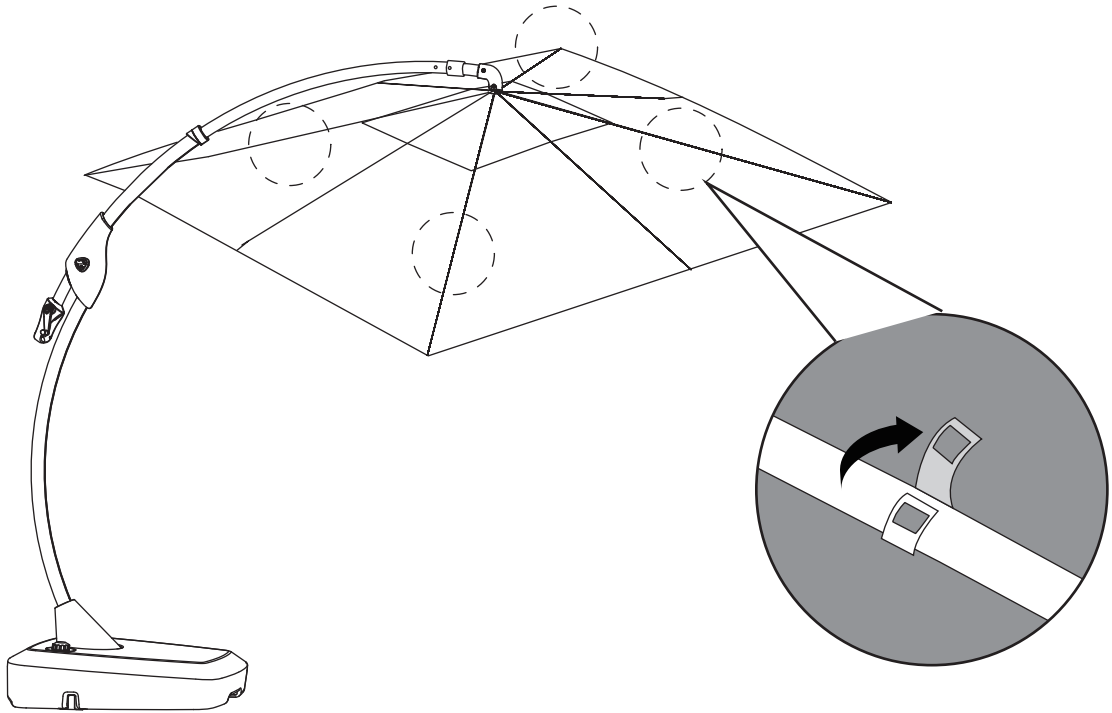


VIII

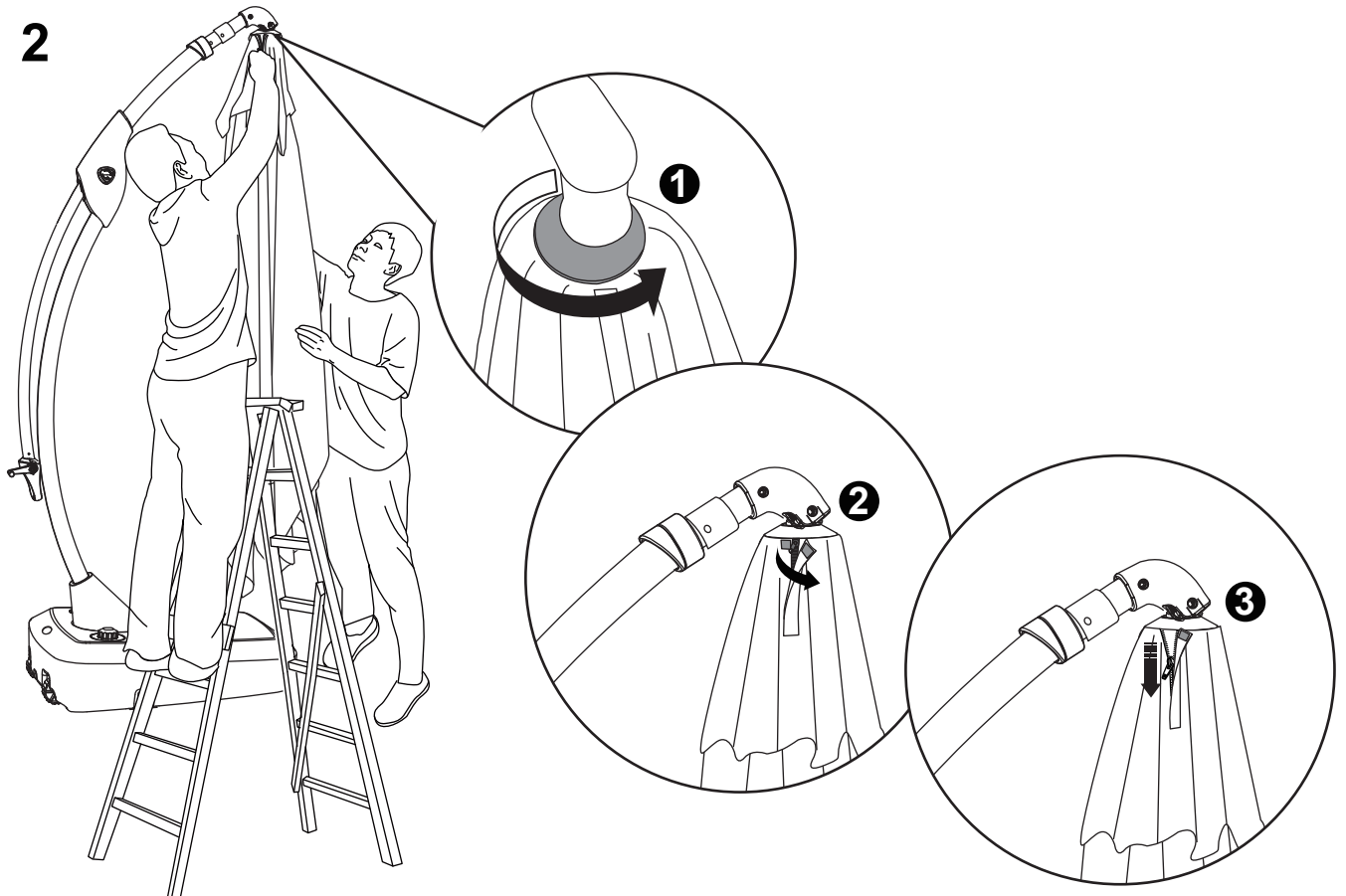


UMBRELLA CLOTH CAN BE REPLACED

1

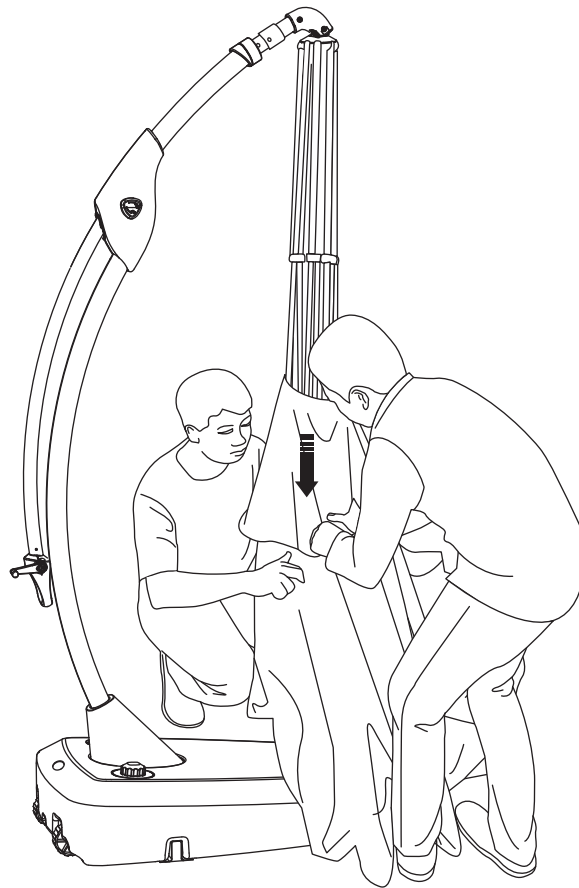


2

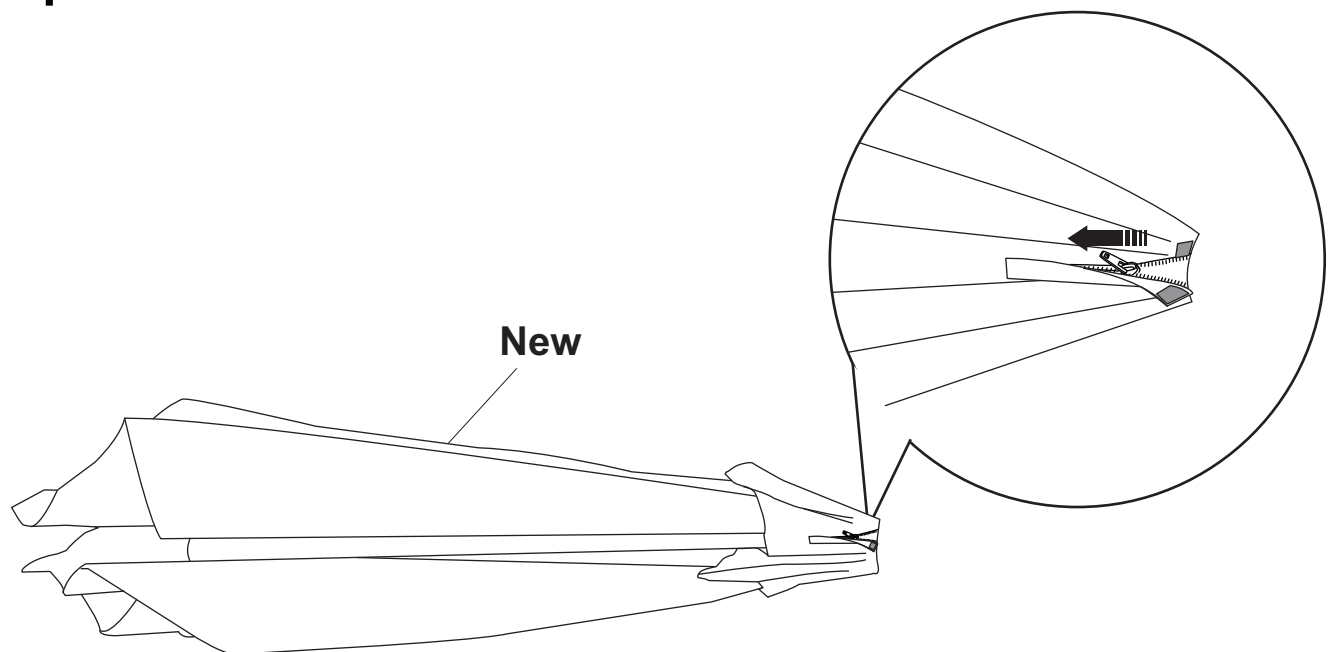


UMBRELLA CLOTH CAN BE REPLACED

3

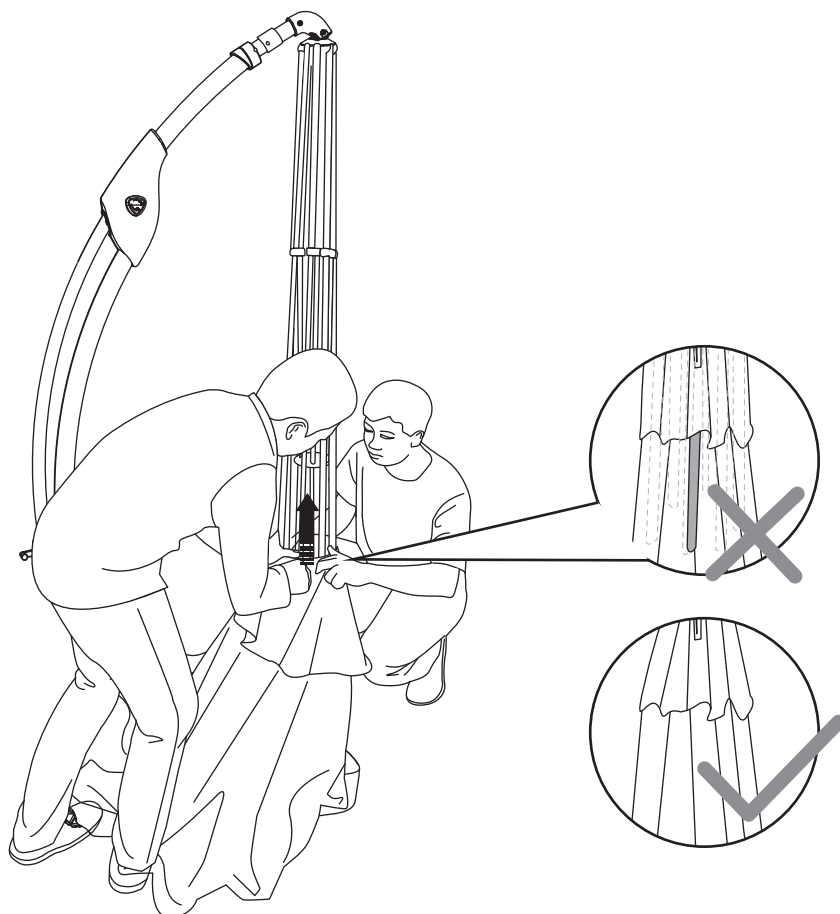


4

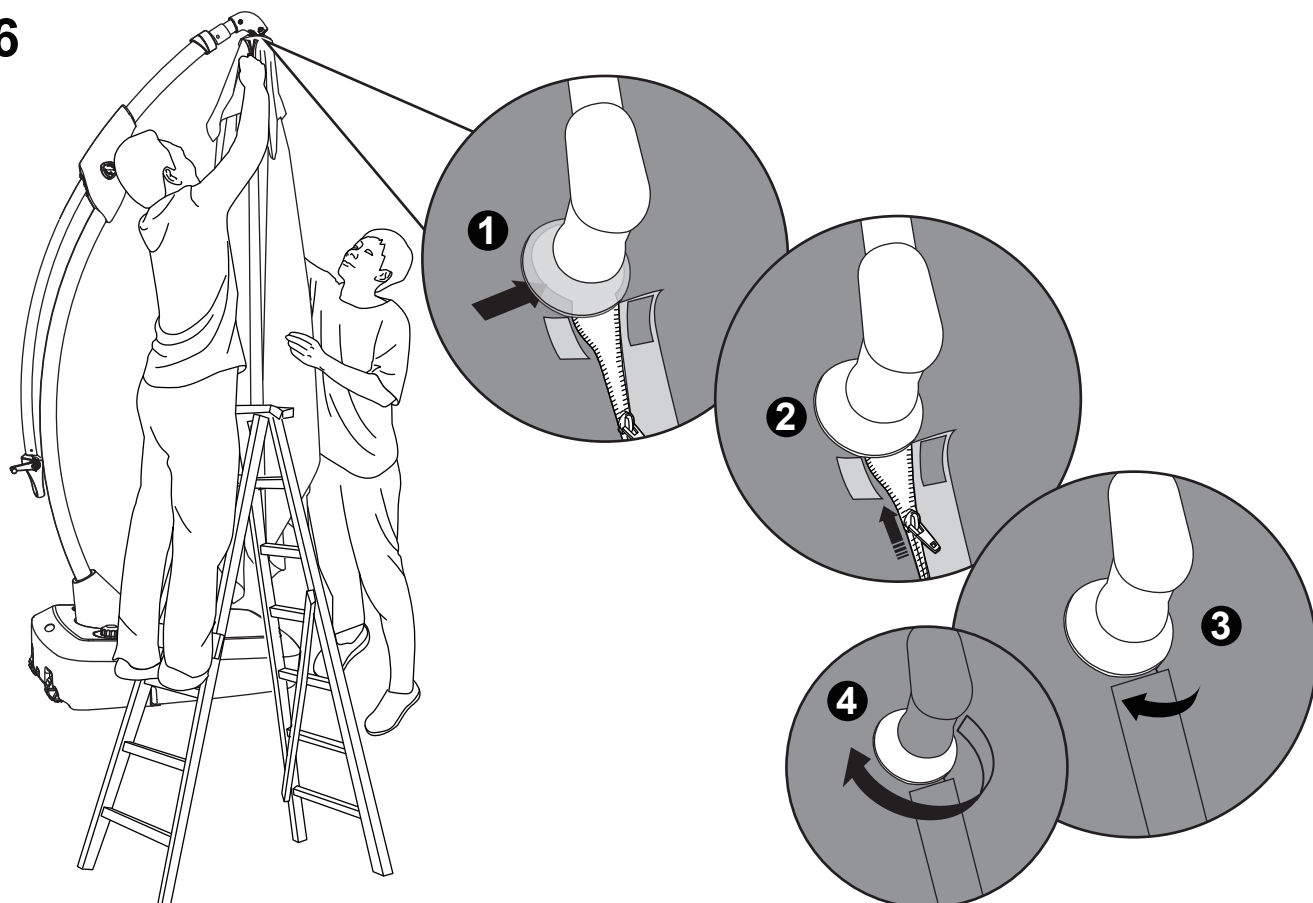


UMBRELLA CLOTH CAN BE REPLACED

5

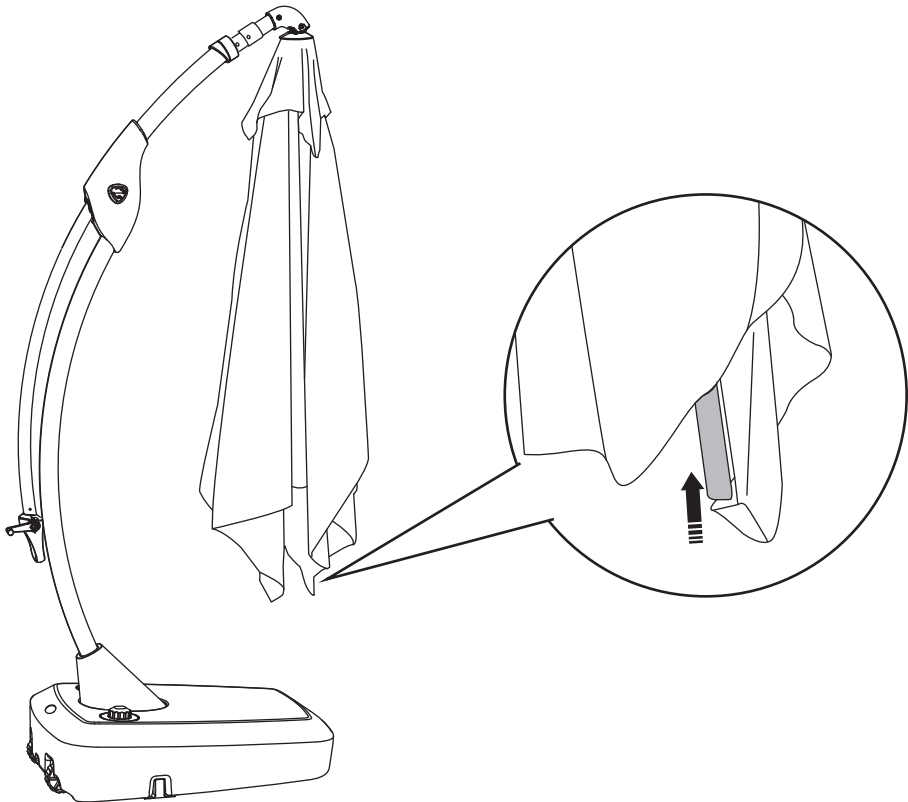


6



UMBRELLA CLOTH CAN BE REPLACED

7



8

