

HOW TO CLEAN

When cleaning the mirror, please follow these steps:

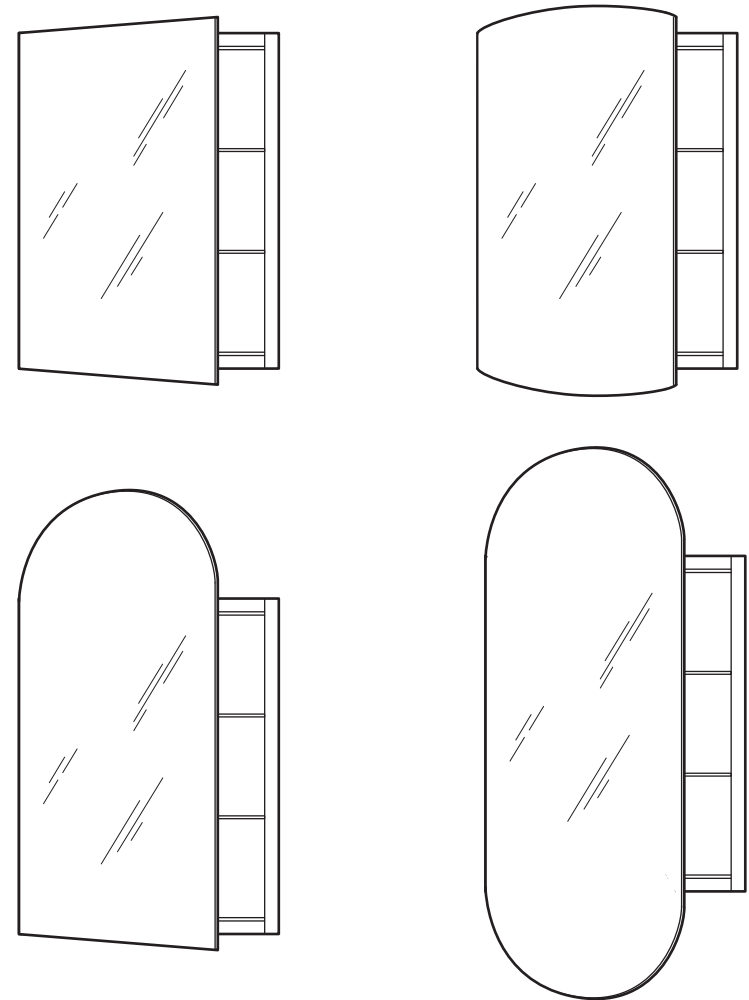
- ① Use a soft, non-abrasive cloth to clean the mirror. Avoid using rough or abrasive materials that may damage the surface.
- ② Do not use any cleaning agents that may cause irritation or damage to the mirror's finish. Instead, use any of the recommended cleansers to remove dirt and grime:
 - ☑ Gentle liquid detergents
 - ☑ Colorless cleansers
- ③ If any adhesive residue left, please wipe it off with a cloth dipped in water (instead of detergents).

Warranty

A two-year warranty from the date of your purchase.

BATHROOM MEDICINE CABINET

INSTALLATION MANUAL









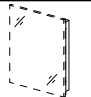
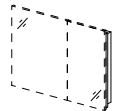
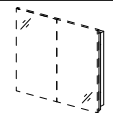
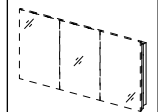


This installation manual applies to all metal framed medicine cabinets in different shapes of cabinet door.

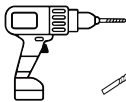



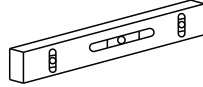
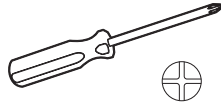

ABOUT US

Thank you for shopping with us! We hope that our products have added a touch of brightness to your life. If you need any assistance, please don't hesitate to reach out. Our dedicated team is available 24/7 to ensure your satisfaction.

PACKING LIST

	 Wall anchor A	 Wall anchor B	 Short screw	 Long screw	 Small spout plug	 Big spout plug	 Sticker	 Bubble level
	4+1	4+1	4+1	4+1	4+1	4+1	10+2	1
	4+1	4+1	4+1	4+1	4+1	4+1	10+2	1
	4+1	4+1	4+1	4+1	4+1	4+1	10+2	1
	6+1	6+1	6+1	6+1	6+1	6+1	12+2	1

INSTALLATION TOOLS

 Electric Drill	 Hammer	 Marker	 Tape Measure
 Level	 Phillips Screwdriver	 Safety Goggles	

BEFORE INSTALLATION

To ensure the best possible experience, **please read carefully and follow the instructions provided below before assembling and installing the product.**

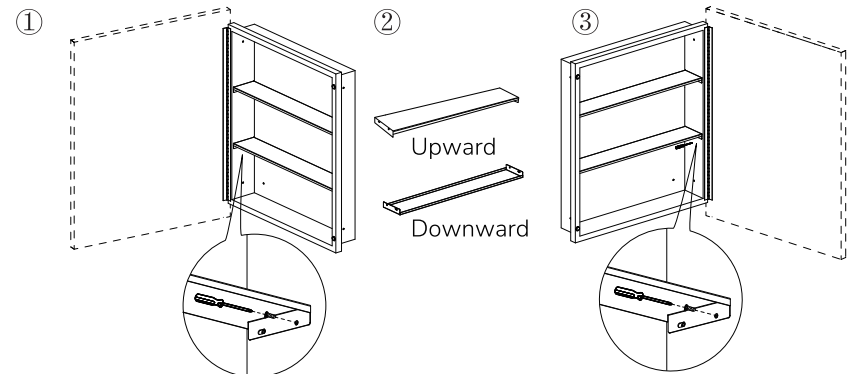
1. Important Safety Instructions:

- ① Assembly by two or more adults is highly recommended.
- ② Make sure that the fixing location (e.g. solid stone or brick walls) can support the weight of the entire product.
- ③ The product can be wall-mounted or recessed-mounted. If you prefer wall mounting, the wall should be covered with wood panels thicker than 8mm and supported by wall studs inside, or it should be a strong concrete wall.
- ④ To prevent injury, the medicine cabinet must be installed according to the instructions provided.

2. Pre-assembly: Inspect the product immediately upon receipt for any transit damage or missing parts.

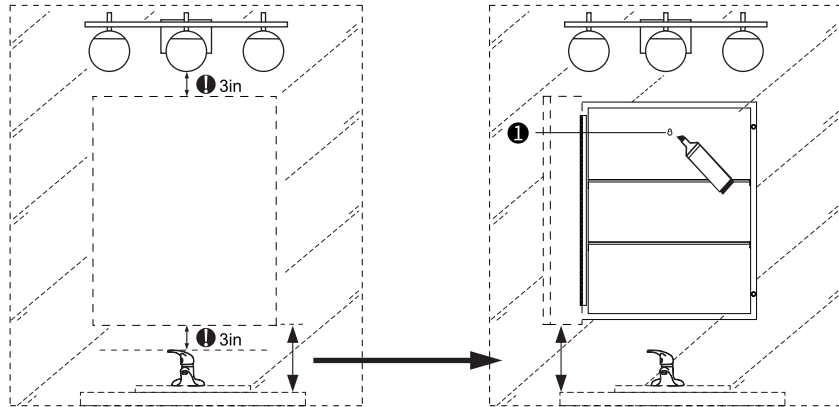
3. Before Installation: Please check and make sure that the medicine cabinet is functioning properly.

The medicine cabinet can be mounted with the door open to the left or right. If you want it open to the right, detach the shelves (①) and flip them around (②), and turn the cabinet upside down (③) for installation. (Shelves are adjustable in cabinets of 32" or higher.)



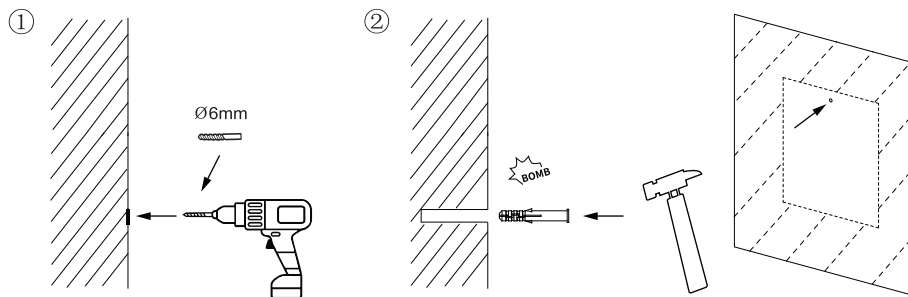
SINGLE-DOOR CABINET: WALL-MOUNTED


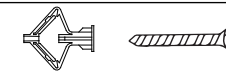
1. Place the medicine cabinet against the wall and mark spot ① on the wall.



Note: Please hang the cabinet at least 3 inches above the faucet.

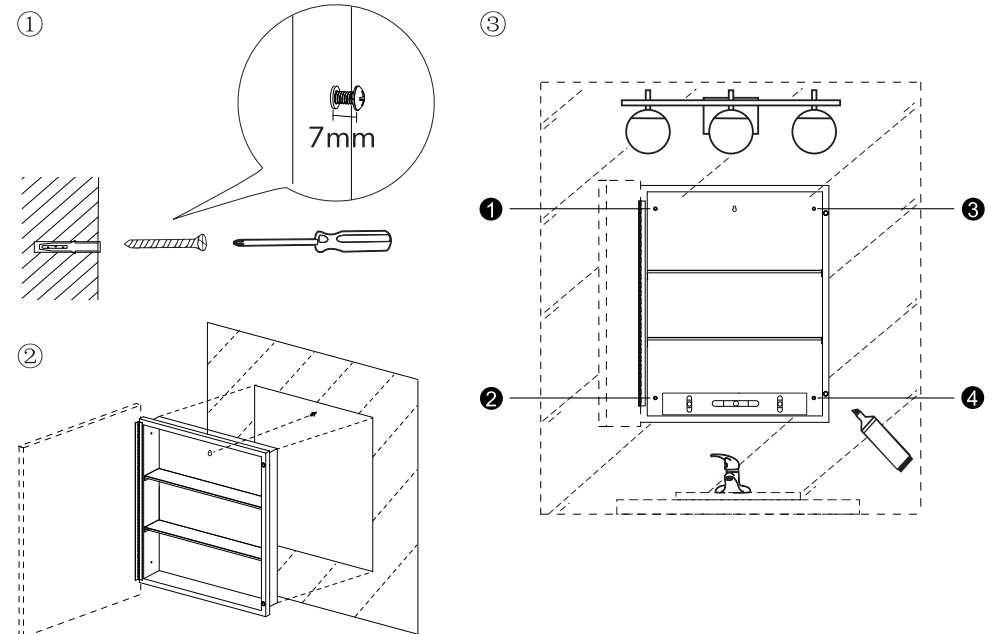
2. Put the medicine cabinet down, drill at the marked spot ① and apply a wall anchor ②.



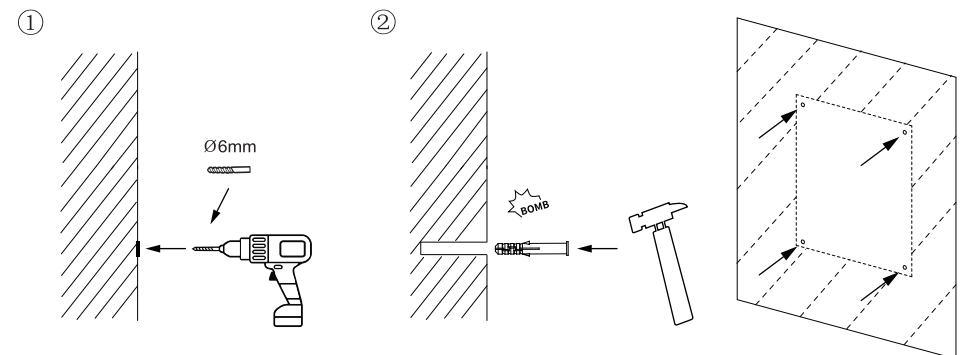
Thickness of Wall :	Recommended Drill Bit :
> 5/8" (16mm)	1/4" (6mm) drill bit, drilling depth in 1 31/32" (50mm) 
5/16" (8)-5/8" (16mm)	25/64" (10mm) drill bit 
< 5/16" (8mm)	Unapplicable

Note: Please hang the cabinet at least 3 inches above the faucet.

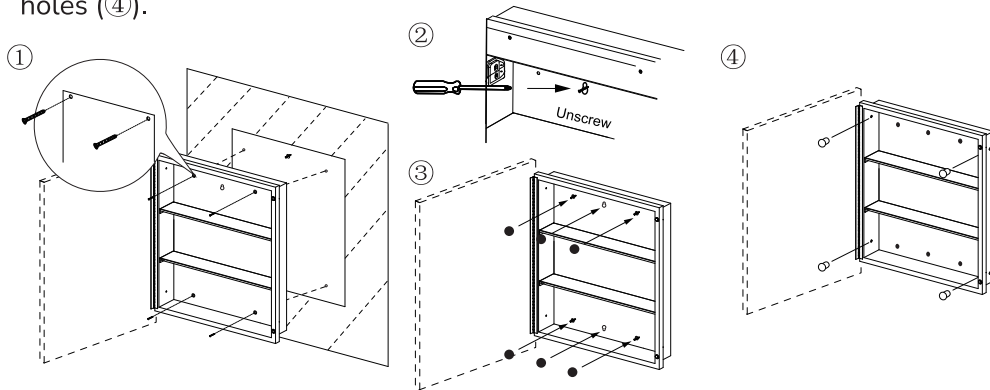
3. Fit a screw into the anchor, but leave a 7mm gap between the screw head and the wall ①. Hang the medicine cabinet on it ②, which can lighten the load and make it easier to hold the cabinet and mark the rest 4 spots ①②③④ with the help of a level ③.



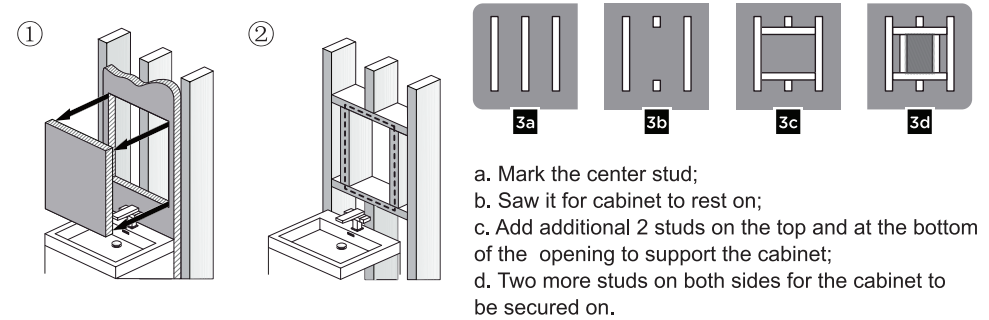
4. Put the cabinet down, punch holes at the marked spots ① with an electric drill, then apply wall anchors with a hammer ②.



5. Align the medicine cabinet with the screw holes on the wall and secure it in place with four screws at the corners (①). Loosen the screw located in the middle (②) and apply stickers to cover the keyhole and screws installed (③). Finally, insert the spout plugs to the holes on both sides of the cabinet - the larger plugs for wall screw holes and the smaller ones for the shelf mounting holes (④).



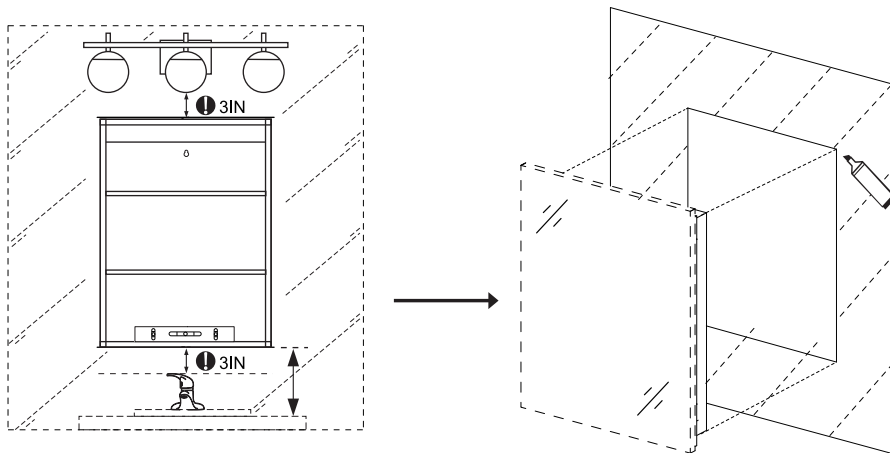
2. Cut the marked perimeter through the drywall (①), remove the cutout (②), and frame the cutout opening as instructed.



- Mark the center stud;
- Saw it for cabinet to rest on;
- Add additional 2 studs on the top and at the bottom of the opening to support the cabinet;
- Two more studs on both sides for the cabinet to be secured on.

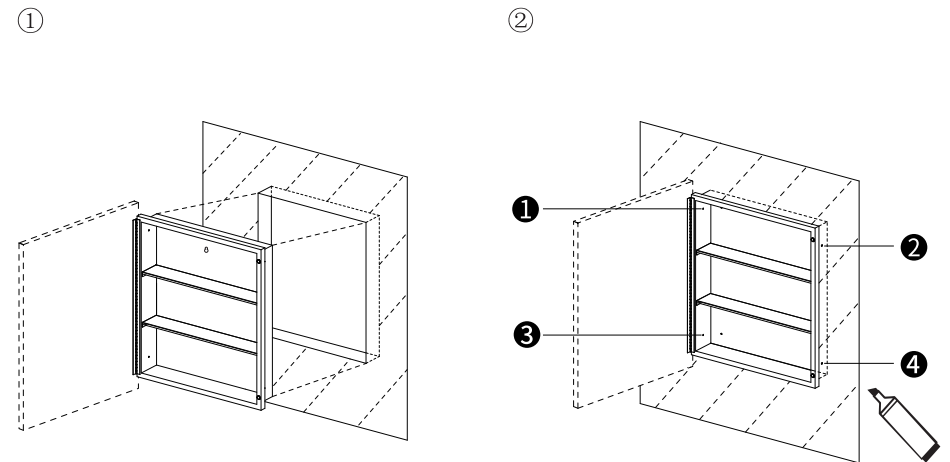
SINGLE-DOOR CABINET: RECESSED-MOUNTED

1. Place the medicine cabinet against the wall and make an outline of the cabinet box with the help of a level.

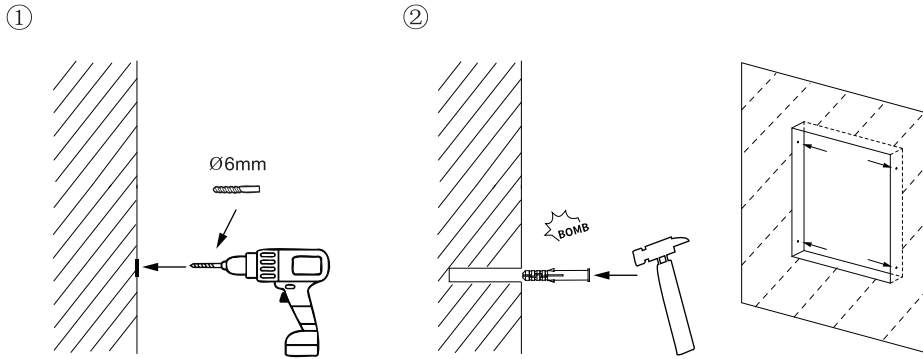



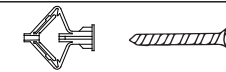
Note: Please hang the cabinet at least 3 inches above the faucet.

3. Put the medicine cabinet into the cutout opening (①) and mark the spots ①②③④ for drilling on the wall (②).

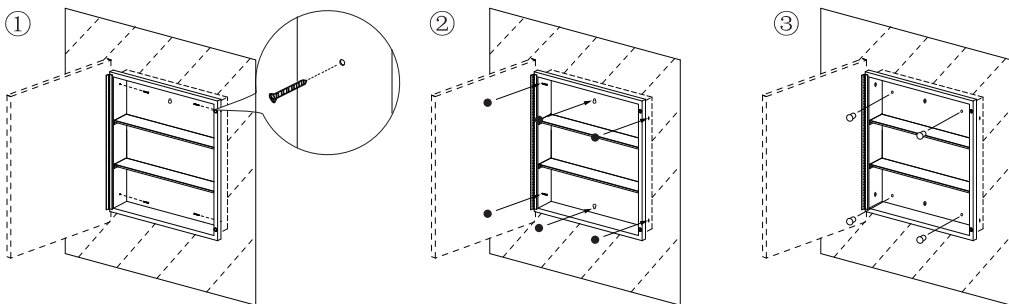


4. Take out the medicine cabinet, punch holes at the marked spots with an electric drill (①), and apply wall anchors with a hammer (②).



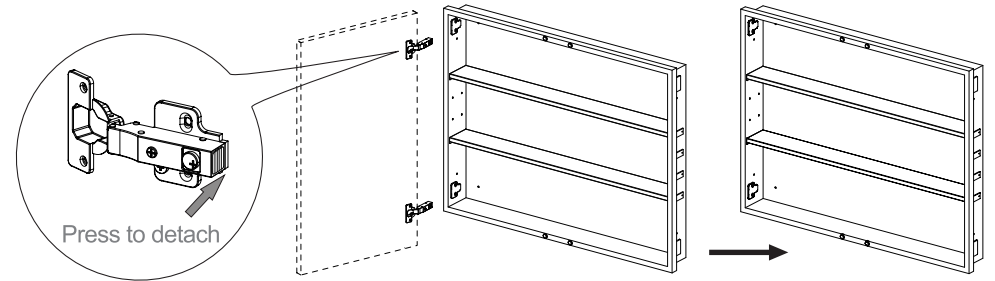
Thickness of Wall :	Recommended Drill Bit :
> 5/8" (16mm)	1/4" (6mm) drill bit, drilling depth in 1 31/32" (50mm) 
5/16" (8)-5/8" (16mm)	25/64" (10mm) drill bit 
< 5/16" (8mm)	Unapplicable

5. Place the medicine cabinet in the cutout opening and secure the cabinet with screws (①). Apply stickers to cover the keyhole located in the middle and screws installed on both sides of the cabinet (②). Finally, insert those larger spout plugs to the holes on back panel of the cabinet (③).

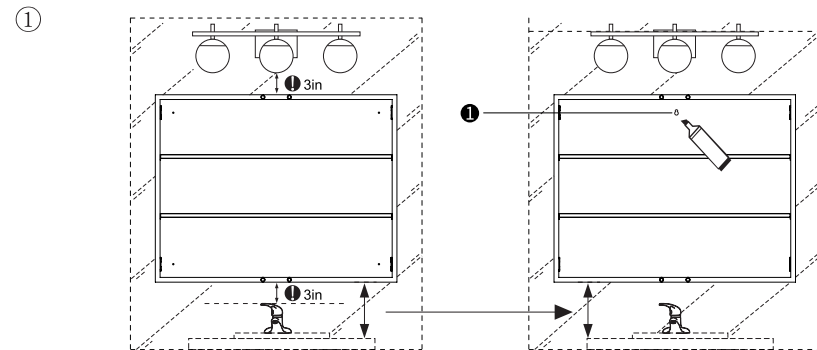


DOUBLE/TRIPLE-DOOR CABINET: WALL-MOUNTED

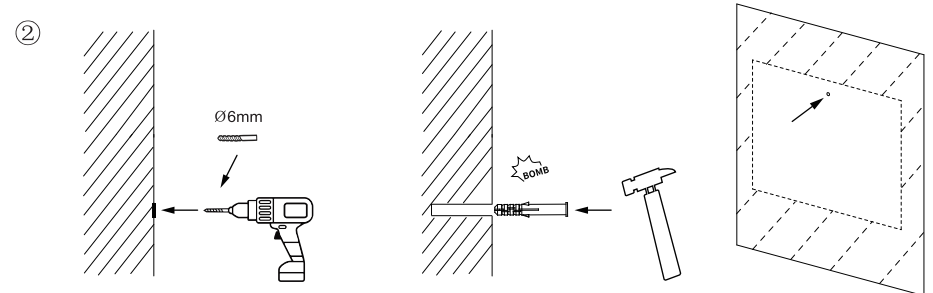
1. Before installation, remove the cabinet door first by detaching the hydraulic hinges.



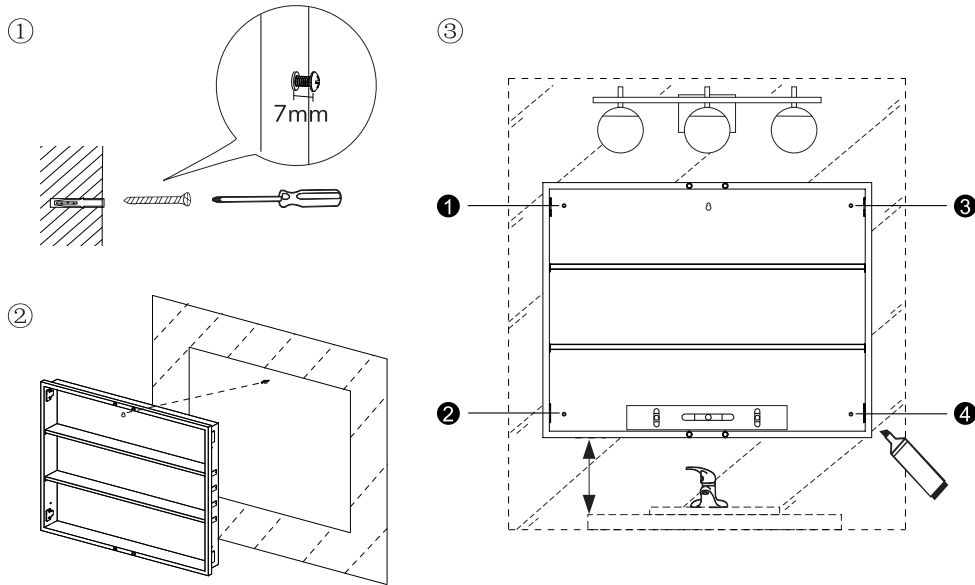
2. Place the medicine cabinet against the wall and mark spot ① on the wall (①). Put the cabinet down, drill at the marked spot and apply a wall anchor (②).



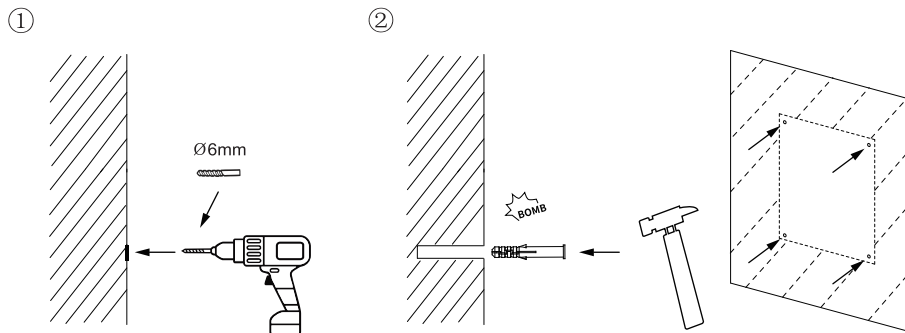
Note: Please hang the cabinet at least 3 inches above the faucet.

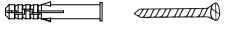



3. Fit a screw into the anchor, but leave a 7mm gap between the screw head and the wall (①). Hang the medicine cabinet on it (②), which can lighten the load and make it easier to hold the cabinet and mark the rest 4 spots ①②③④ with the help of a level (③).

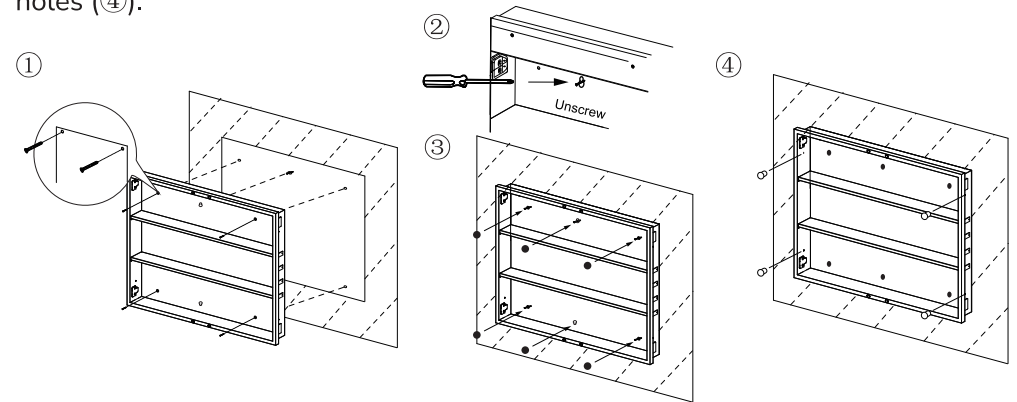


4. Put the cabinet down, punch holes at the marked spots (①) with an electric drill, then apply wall anchors with a hammer (②).

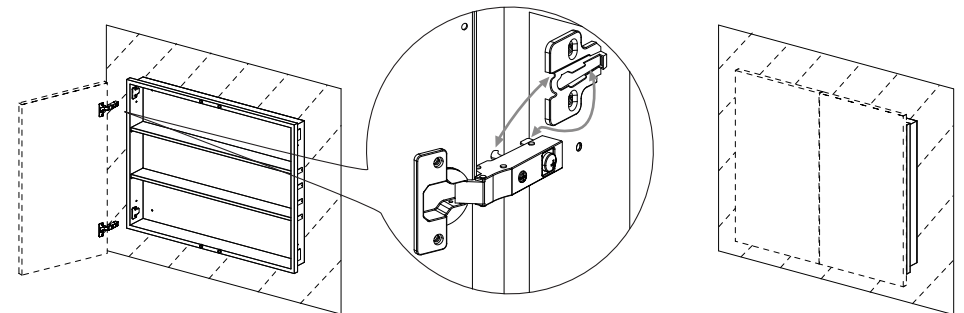


Thickness of Wall :	Recommended Drill Bit :
> 5/8" (16mm)	1/4" (6mm) drill bit, drilling depth in 1 31/32" (50mm) 
5/16" (8)-5/8" (16mm)	25/64" (10mm) drill bit 
< 5/16" (8mm)	Unapplicable

5. Align the medicine cabinet with the screw holes on the wall and secure it in place with four screws at the corners (①). Loosen the screw located in the middle (②) and apply stickers to cover the keyhole and screws installed (③). Finally, insert the spout plugs to the holes on both sides of the cabinet - the larger plugs for wall screw holes and the smaller ones for the shelf mounting holes (④).

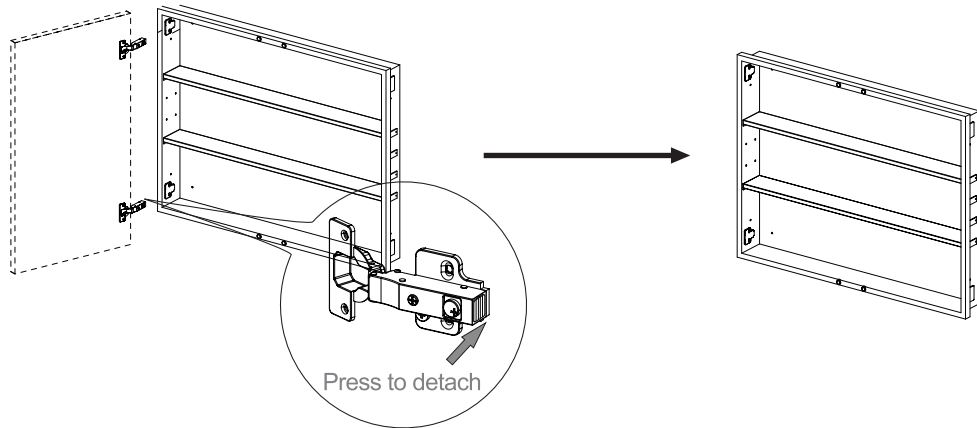


6. Reinstall the cabinet door by attaching hydraulic hinges.

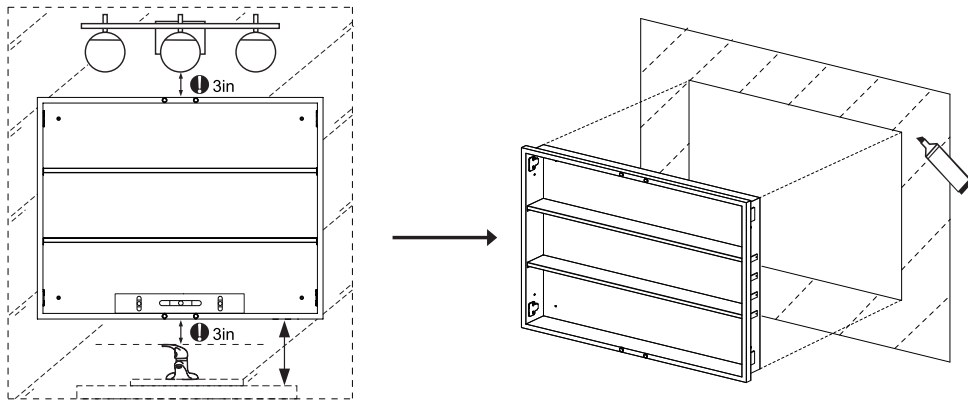


DOUBLE/TRIPLE-DOOR CABINET: RECESSED-MOUNTED

1. Before installation, remove the cabinet door first by detaching the hydraulic hinges.

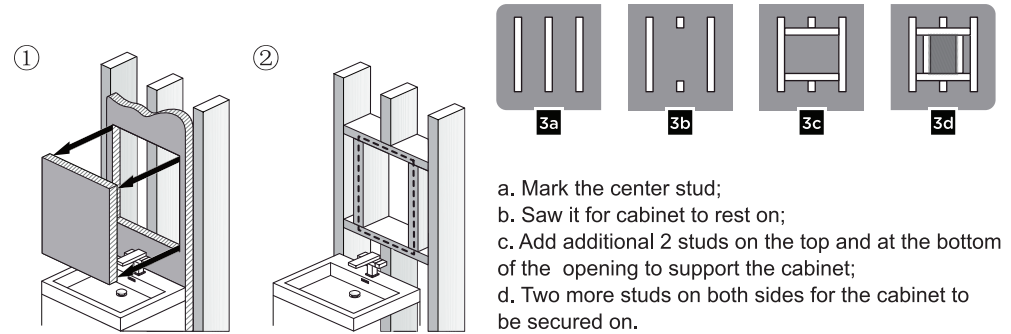


2. Place the medicine cabinet against the wall and make an outline of the cabinet box with the help of a level.

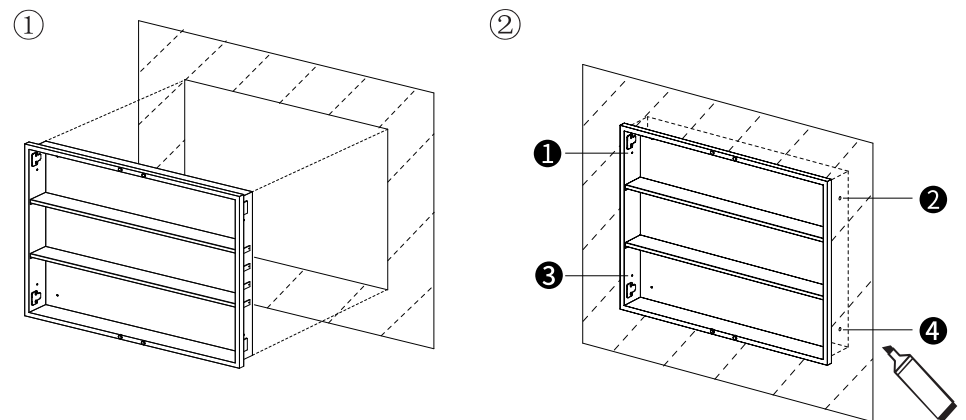


Note: Please hang the cabinet at least 3 inches above the faucet.

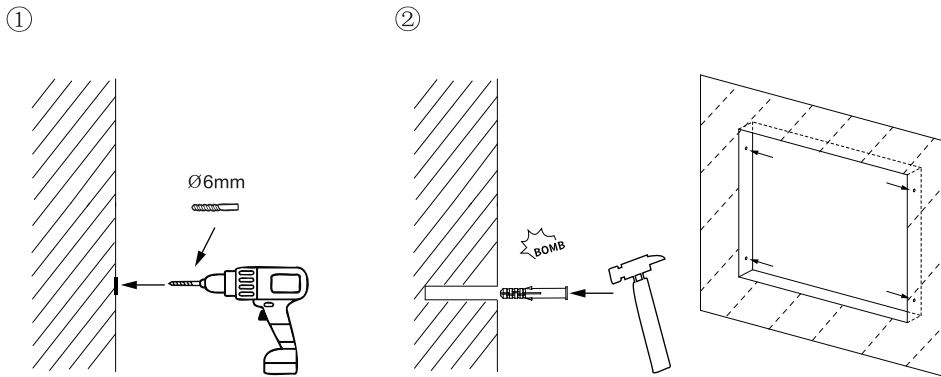
3. Cut the marked perimeter through the drywall (①), remove the cutout (②), and frame the cutout opening as instructed.



4. Put the medicine cabinet into the cutout opening (①) and mark the spots ①②③④ for drilling on the wall (②).

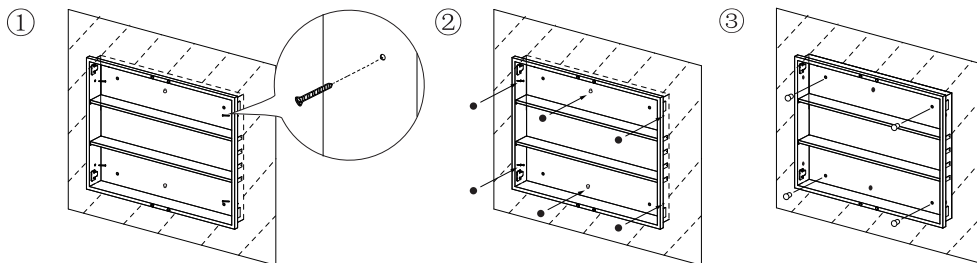


5. Take out the medicine cabinet, punch holes at the marked spots with an electric drill (①), and apply wall anchors with a hammer (②).

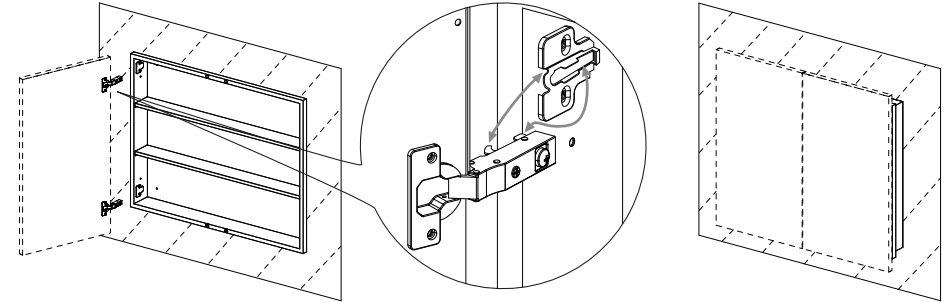


Thickness of Wall :	Recommended Drill Bit :
>5/8" (16mm)	1/4" (6mm) drill bit, drilling depth in 1 31/32" (50mm)
5/16" (8)-5/8" (16mm)	25/64" (10mm) drill bit
<5/16" (8mm)	Unapplicable

6. Place the medicine cabinet in the cutout opening and secure the cabinet with screws (①). Apply stickers to cover the keyhole located in the middle and screws installed on both sides of the cabinet (②). Finally, insert those larger spout plugs to the holes on back panel of the cabinet (③).

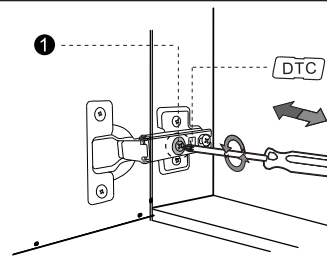


7. Reinstall the cabinet door by attaching hydraulic hinges.



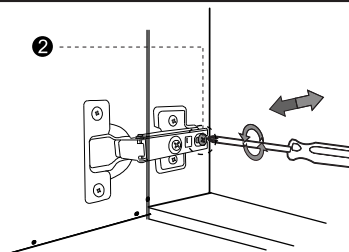
HOW TO ADJUST HYDRAULIC HINGES

For those medicine cabinets equipped with hydraulic hinges, please kindly follow the adjustment instructions provided below:

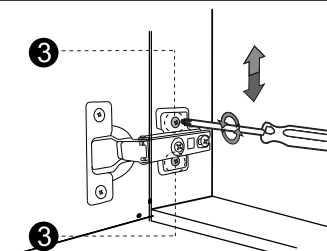


Open the "DTC" cover

Turn screw ① to adjust the depth of door overlay.



Turn front screw ② to adjust the gap between the door and cabinet.



Turn the eccentric screw ③ to release the mounting plate from the cabinet, allowing the door to be moved up and down.

Note: Small single-door medicine cabinets utilize a piano hinge, which don't need to adjust.