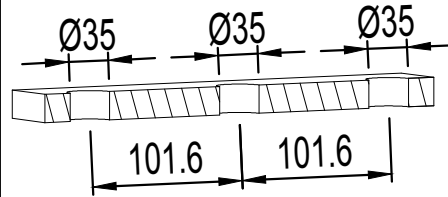
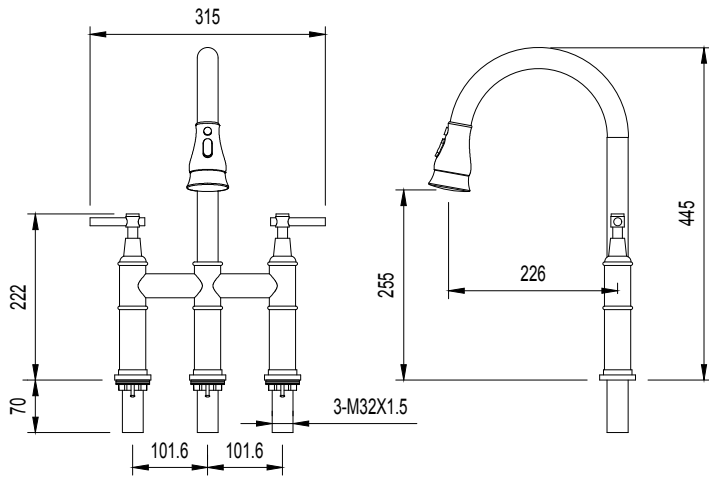
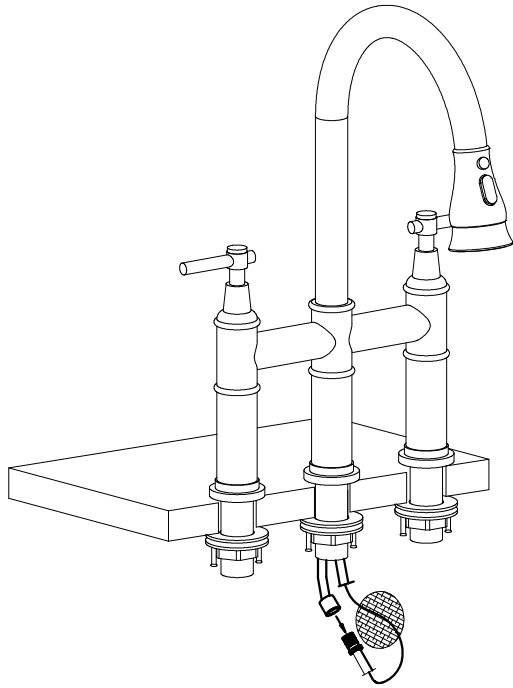
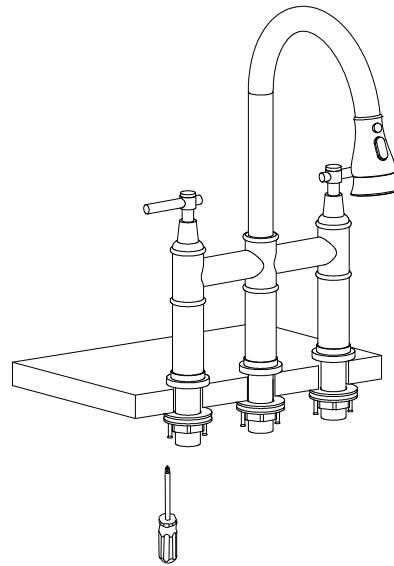


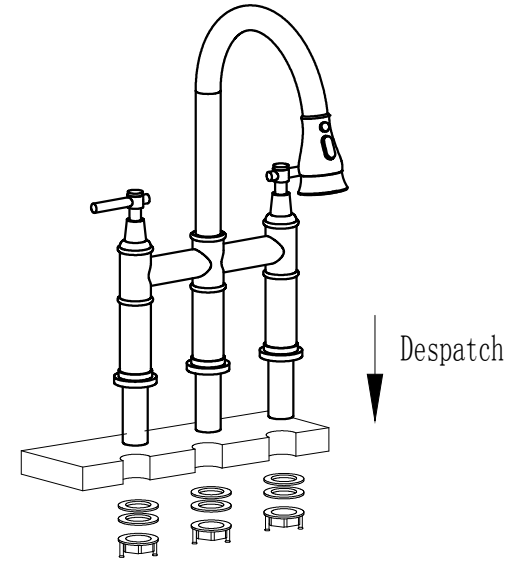
Three Holes Faucet



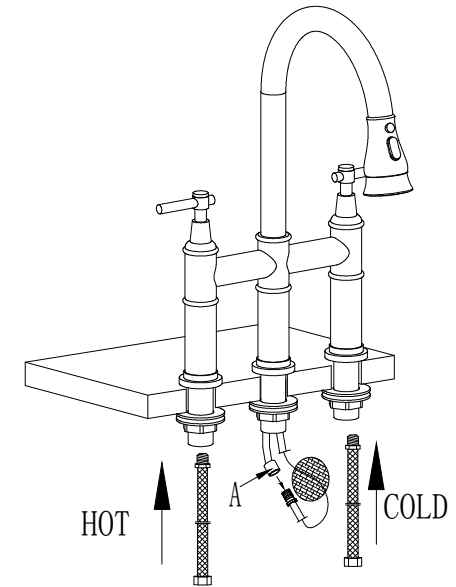
1. Hole:35mm, Distance:101.6mm



3. Fixed the switch and fasten the nut. Fix the nuts by the tool.



2. Despatch the parts ,Take apart the nut and gasket of the faucet body.



4. Pulling pipe through the shower holder and connect with the pipe A. Gravity ball fixed on the top of the pulling pipe. Hot and cold switch connect to T-Cock and then contact to the hot and cold water hose.