

# TABLE OF CONTENTS

---

01	Important Safety Instructions	01	Tools Needed
----	-------------------------------	----	--------------

---

02	Parts List	04	Assembly
----	------------	----	----------

---

15	Warranty Information		
----	----------------------	--	--

---

## IMPORTANT SAFETY INSTRUCTIONS

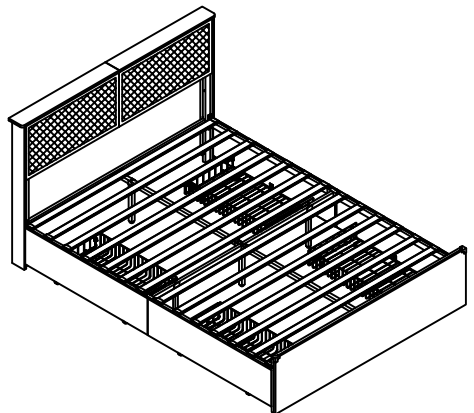
- Check if all the parts are complete before installation.
- Read through the instructions before installing the cabinet.
- Keep the small parts away from children to avoid the risk of swallowing.

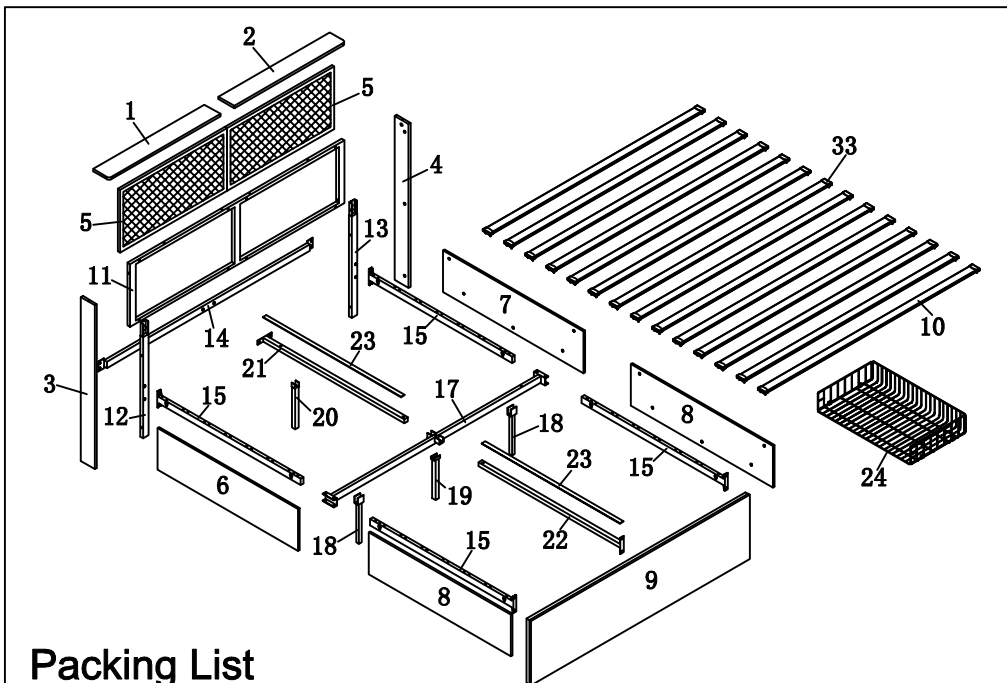
## TOOLS NEEDED

Screws Driver -1PC

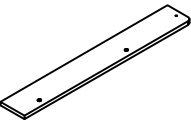
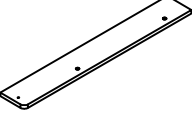


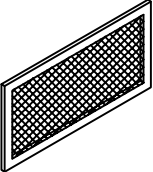
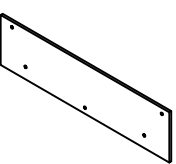
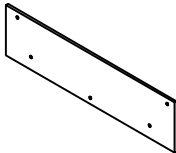
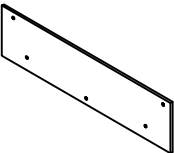
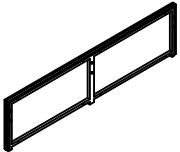
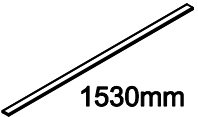
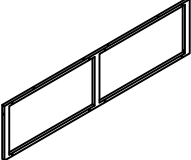




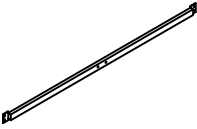
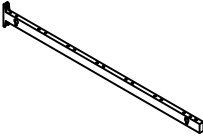

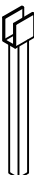


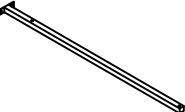
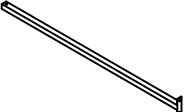

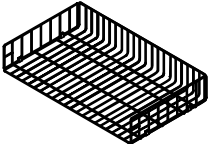
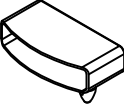
( Not included)

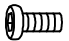
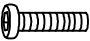
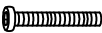
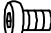
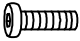
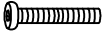
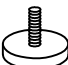
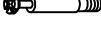

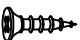
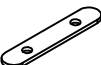
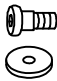










## Packing List

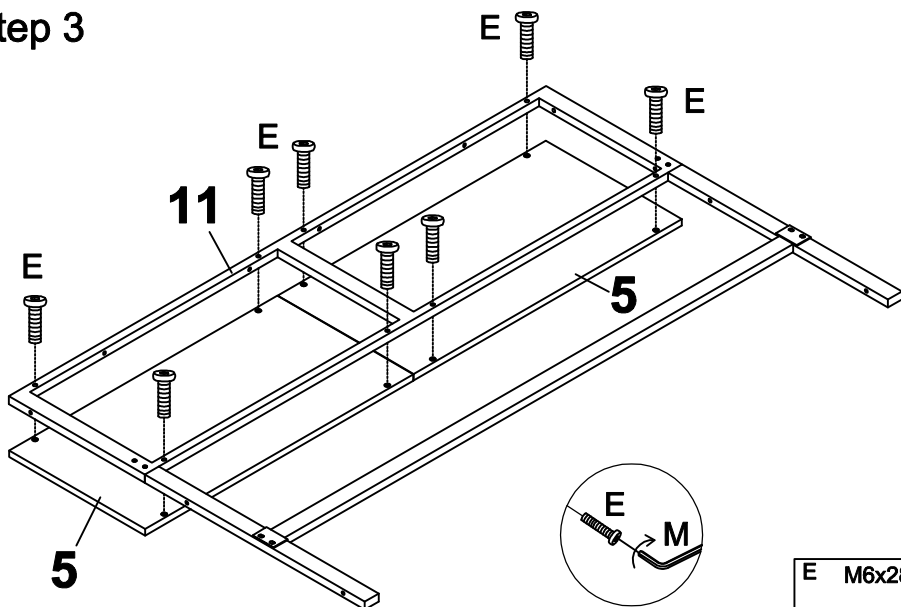
<b>1</b>  <b>x1</b>	<b>2</b>  <b>x1</b>	<b>3</b>  <b>x1</b>	<b>4</b>  <b>x1</b>
<b>5</b>  <b>x2</b>	<b>6</b>  <b>x1</b>	<b>7</b>  <b>x1</b>	<b>8</b>  <b>x2</b>
<b>9</b>  <b>x1</b>	<b>10</b>  1530mm <b>x14</b>	<b>11</b>  <b>x1</b>	<b>12</b>  <b>x1</b>

<b>13</b>  x1	<b>14</b>  x1	<b>15</b>  x4	<b>17</b>  x1
<b>18</b>  x2	<b>19</b>  x1	<b>20</b>  x1	<b>21</b>  x1
<b>22</b>  x1	<b>23</b>  1000mm x2	<b>24</b>  x4	<b>33</b>  x28

<b>A</b> M8x16mm  x22	<b>B</b> M8x35mm  x3	<b>C</b> M8x55mm  x7	<b>D</b> M6x10mm  x12	<b>E</b> M6x28mm  x12
<b>F</b> M6x50  x6	<b>G</b>  x4	<b>H</b>  x2	<b>I</b>  x2	<b>J</b> M3.5x12mm  x2
<b>K</b>  x1	<b>L</b>  x8	<b>M</b> M4  x1	<b>N</b>  x16	<b>O</b>  x8
<b>P</b>  x12	<b>Q</b>  x2	<b>R</b> M5  x1		



### Step 3

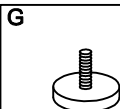
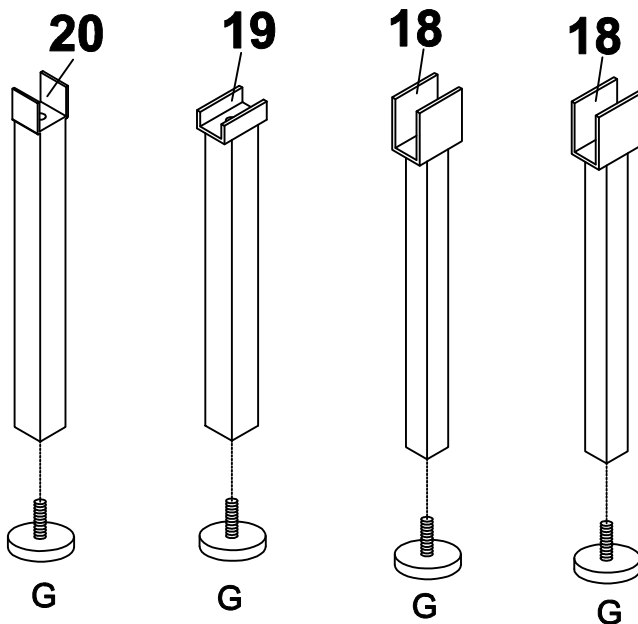


E M6x28



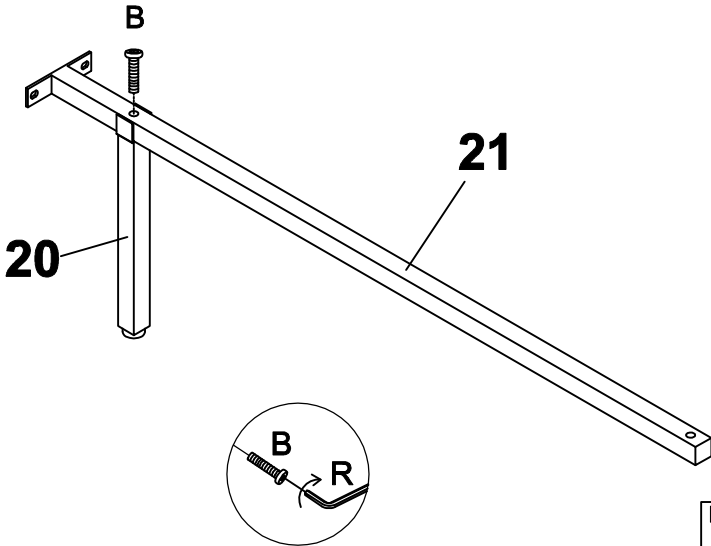
x8

### Step 4



x4

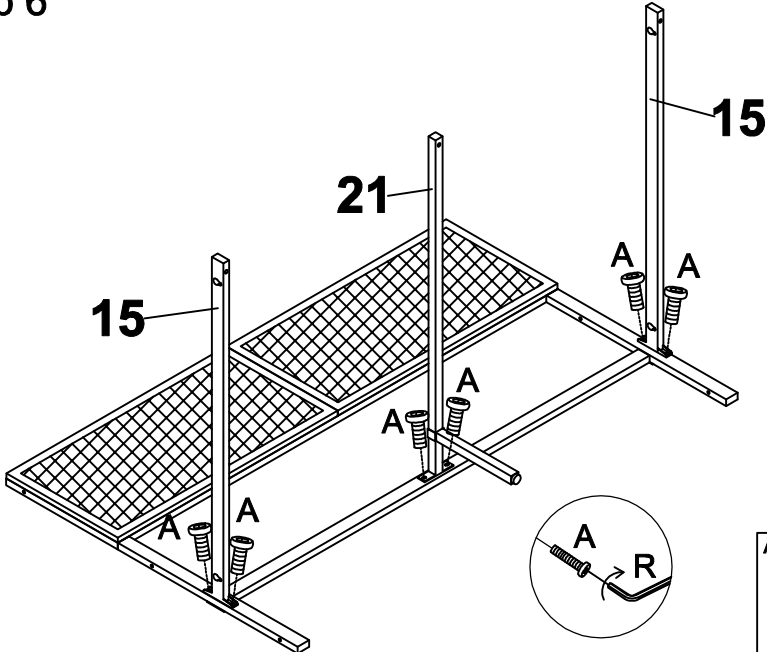
# Step 5



**B M8x35**

x1

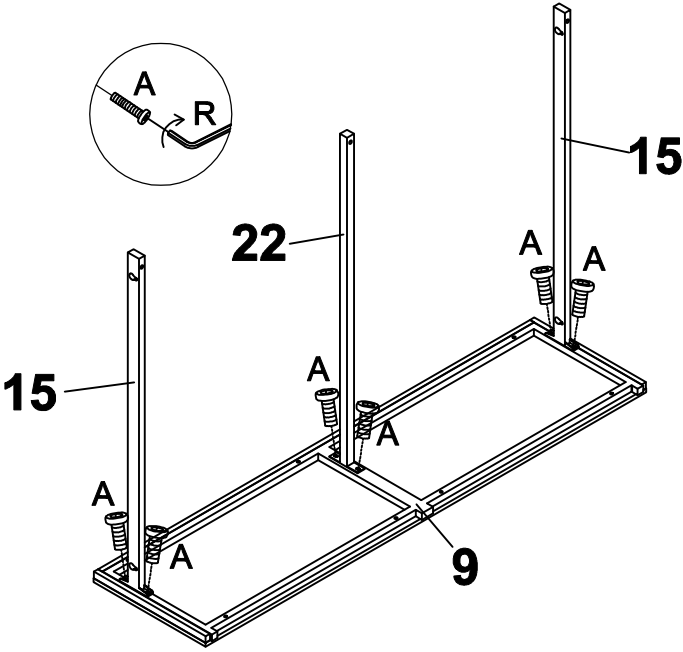
# Step 6



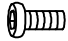
**A M8x16**

x6

# Step 7

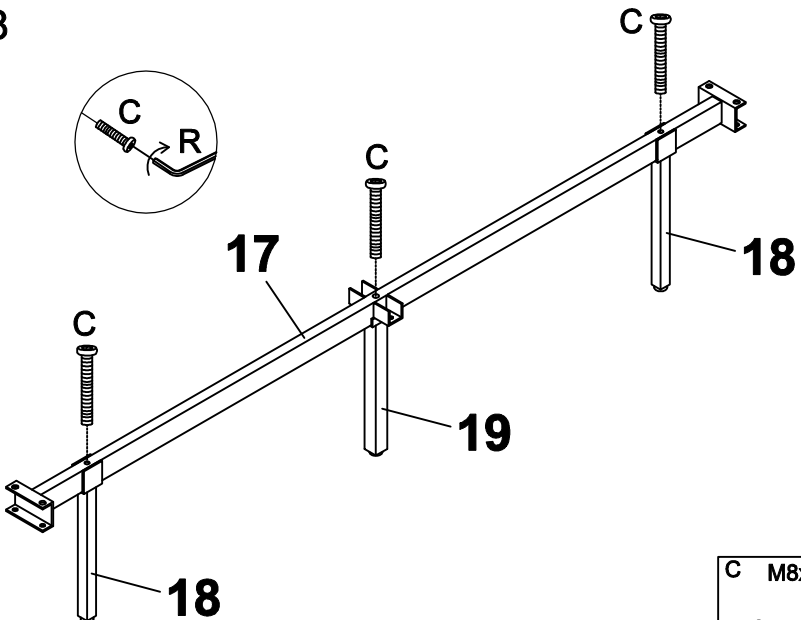


A M8x16




x6

# Step 8

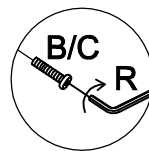
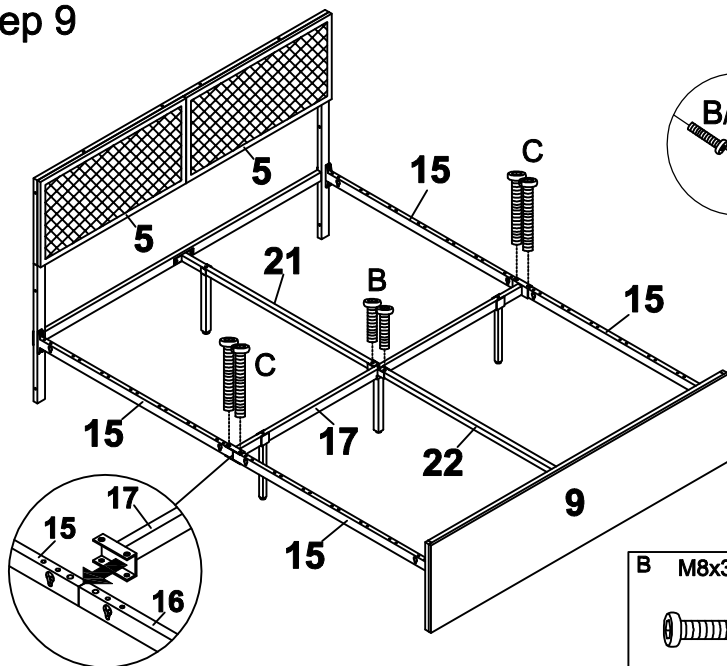


C M8x55



x3

# Step 9



**B** M8x35



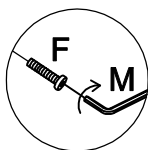
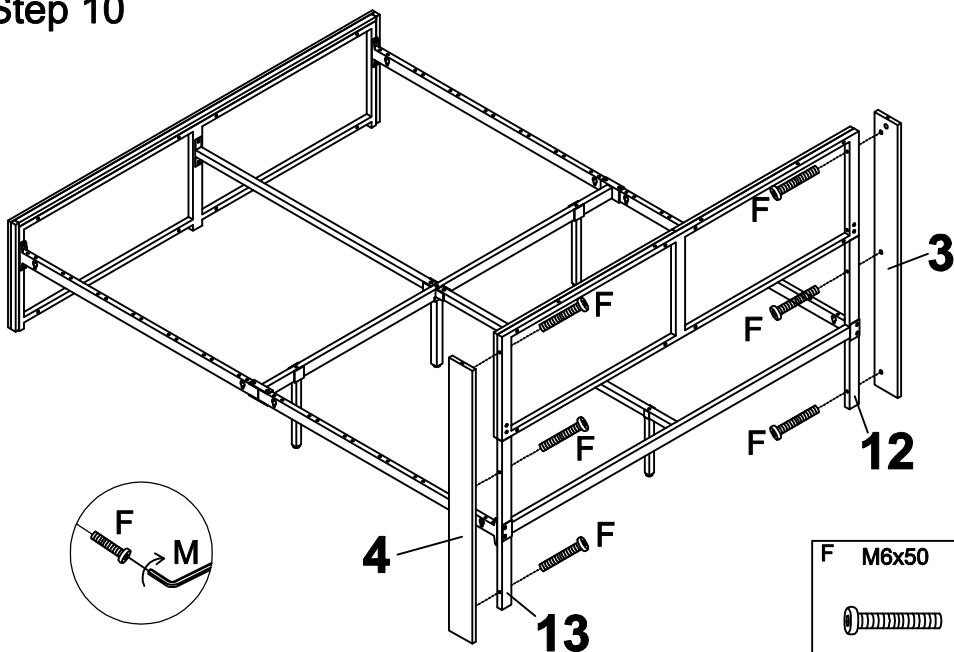
x2

**C** M8x55

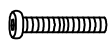


x4

# Step 10

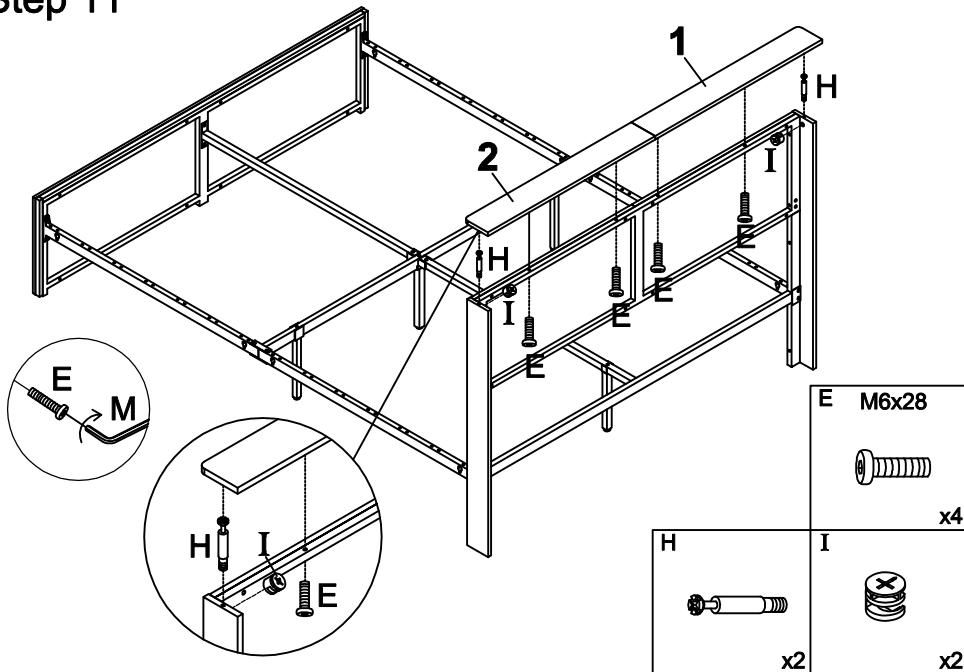


**F** M6x50

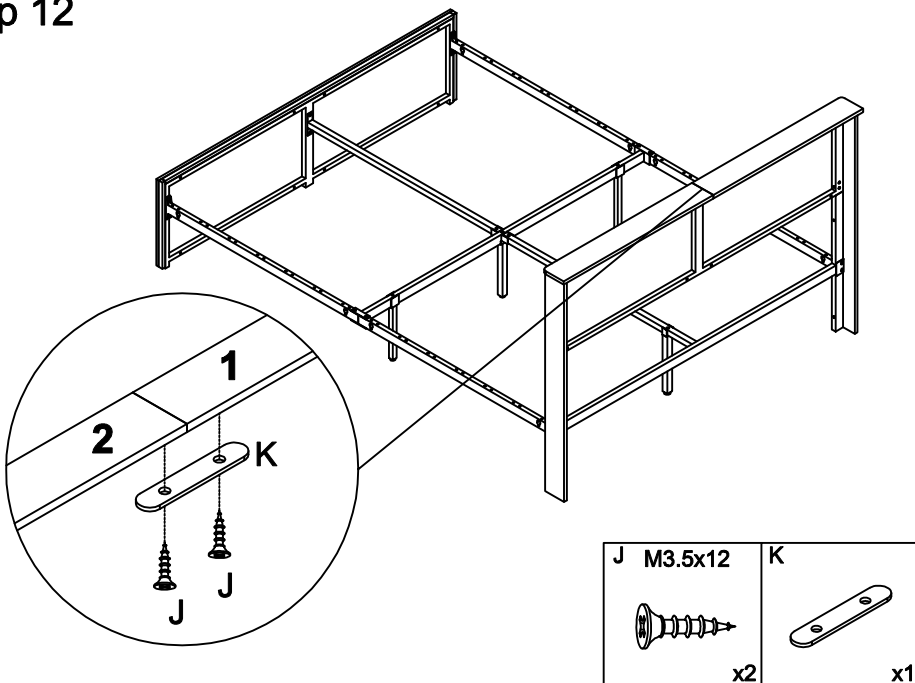


x6

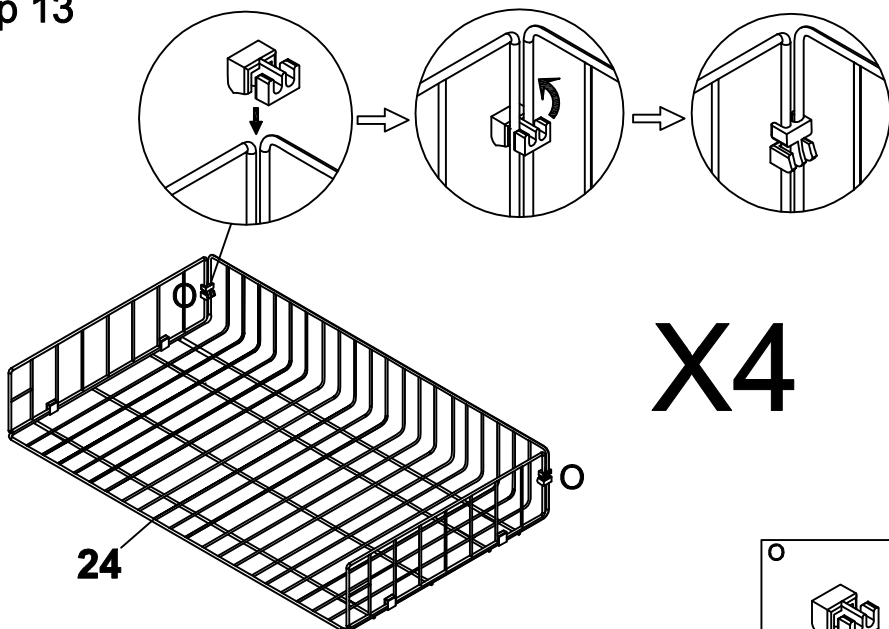
# Step 11



# Step 12

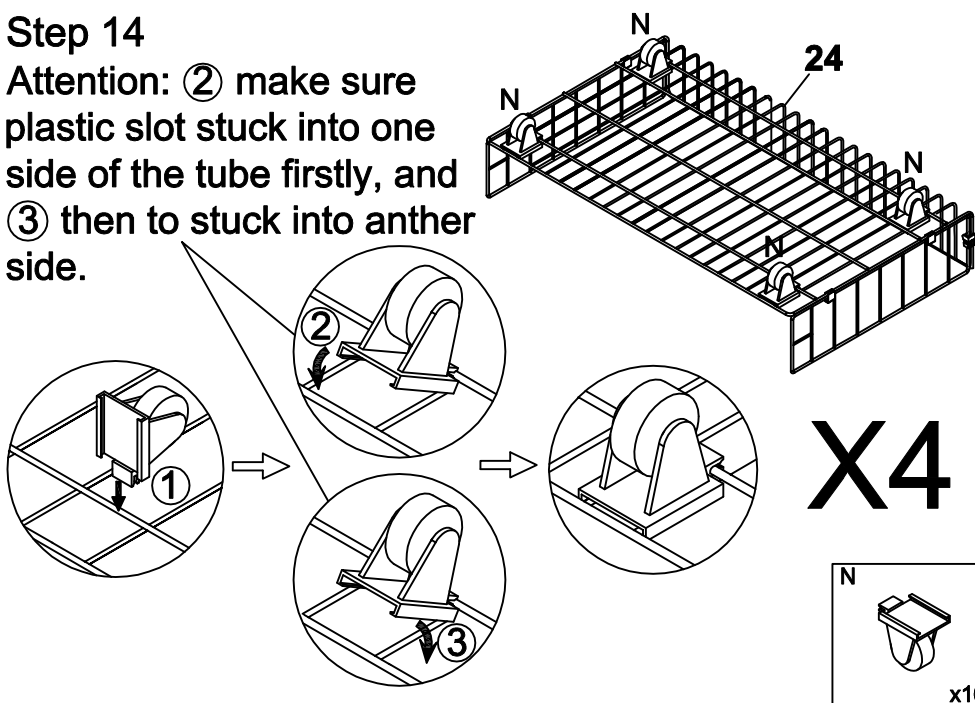


### Step 13

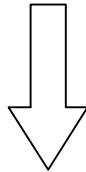
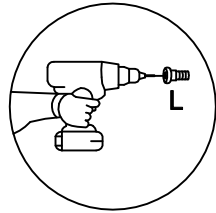
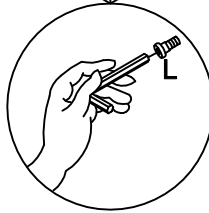
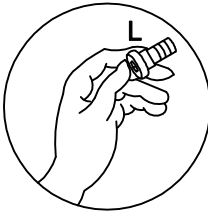
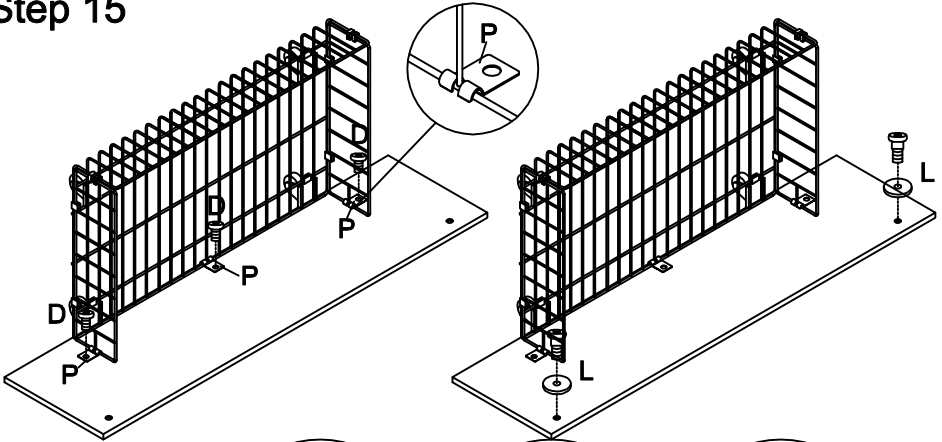


### Step 14

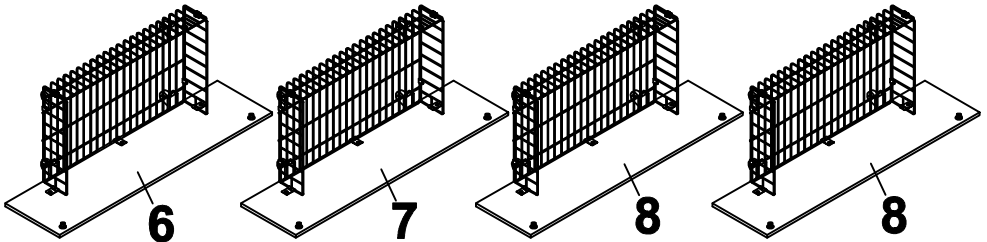
Attention: ② make sure plastic slot stuck into one side of the tube firstly, and ③ then to stuck into another side.


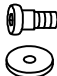



# Step 15

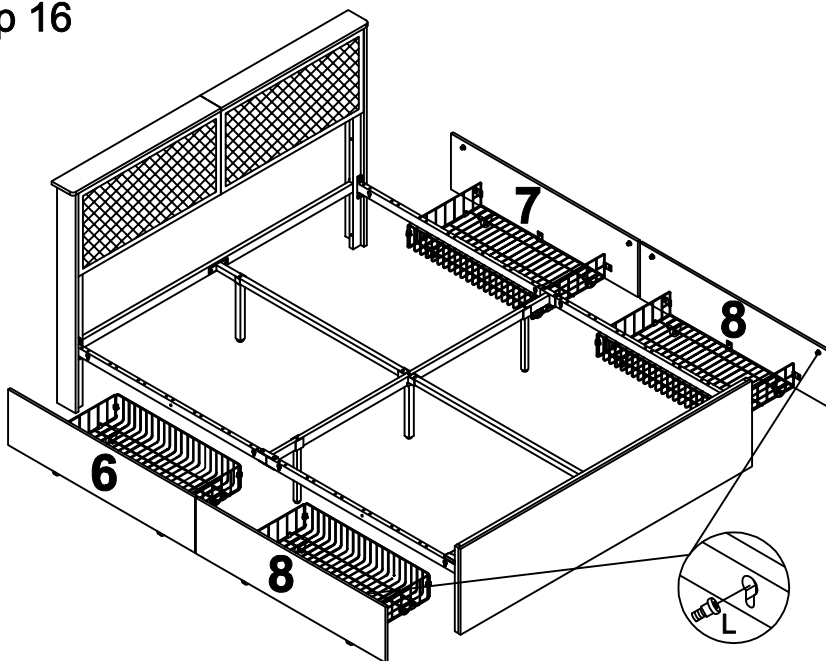


**Note: Please don't fully tighten two L screws to the board.**

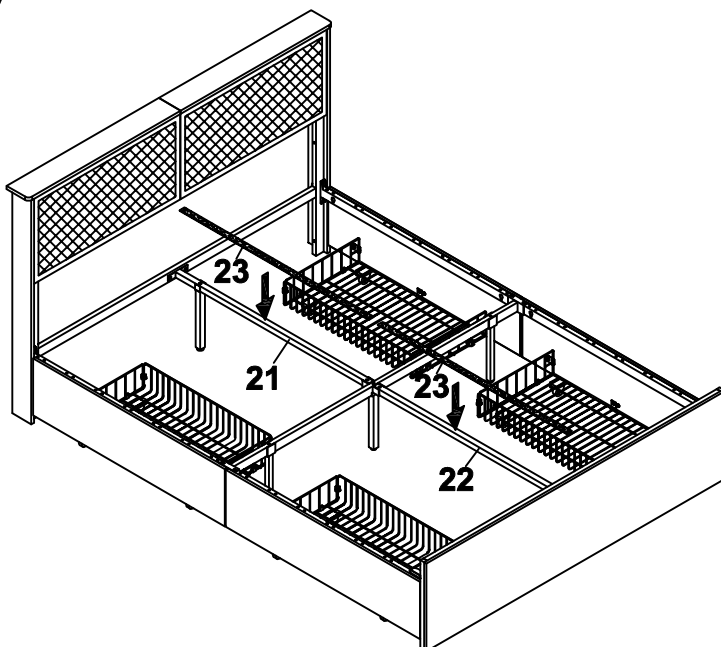


<p><b>D</b> M6x10</p>  <p>x12</p>	<p><b>L</b></p>  <p>x8</p>	<p><b>P</b></p>  <p>x12</p>
--	---	---

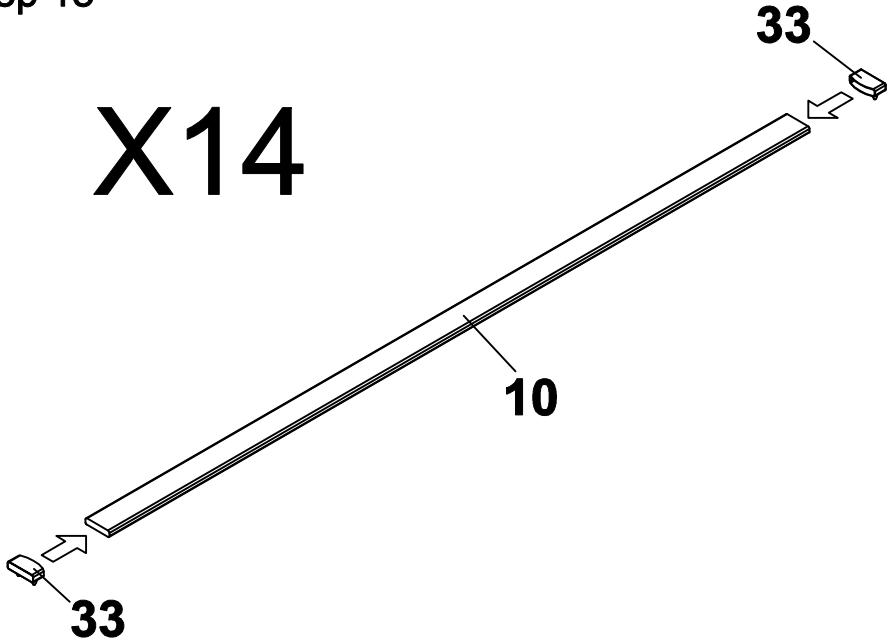
## Step 16



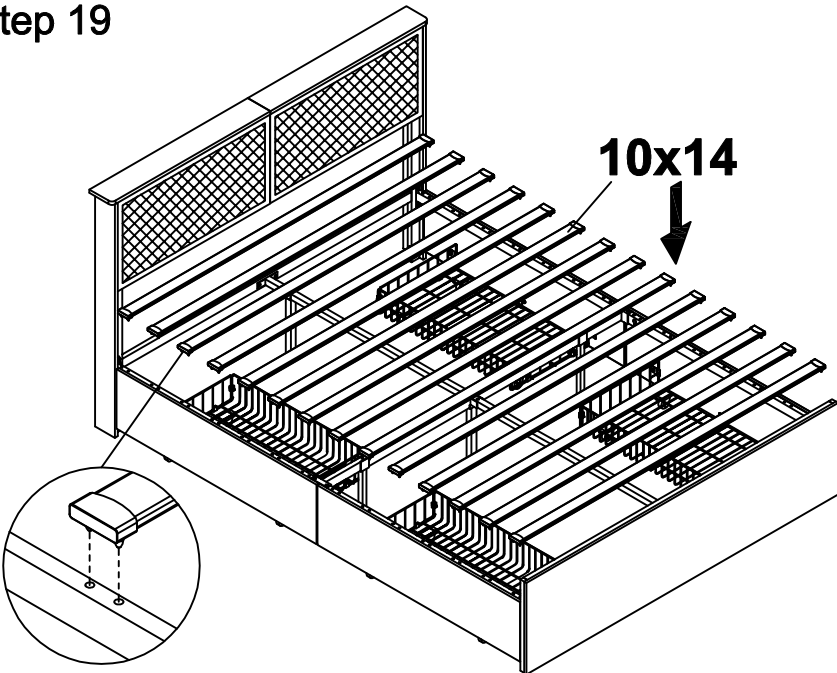
## Step 17



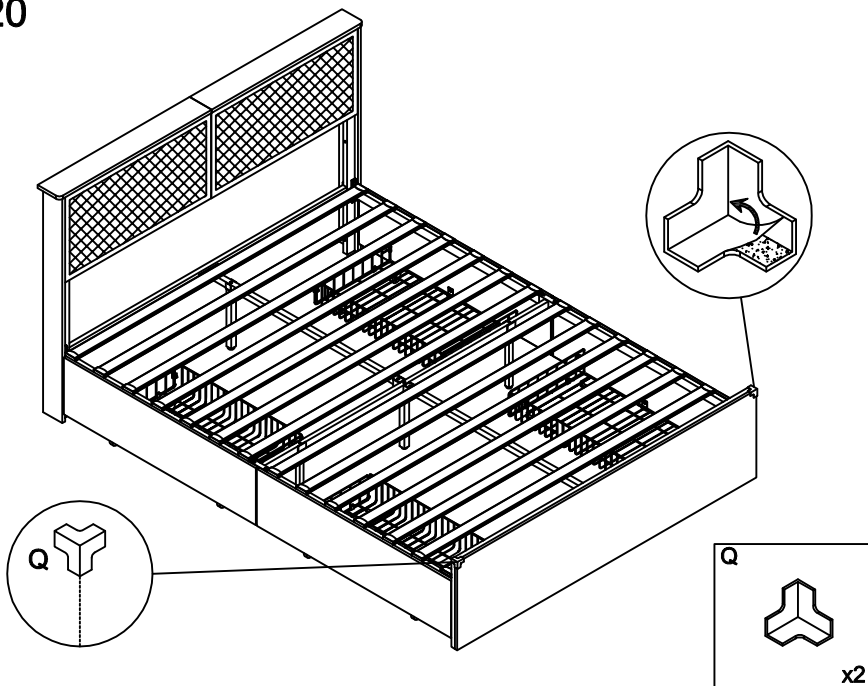
Step 18



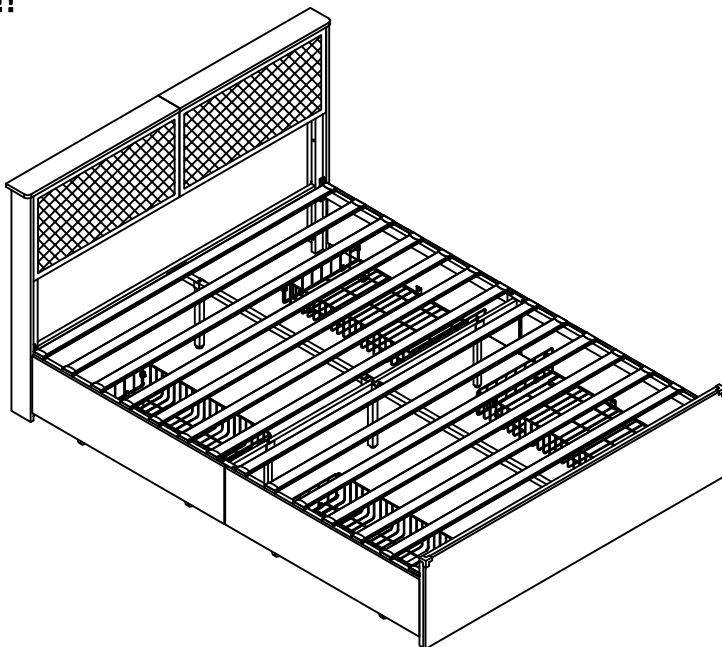
Step 19



## Step 20



## Finish !!!



## WARRANTY INFORMATION

- Do not expose the surfaces to direct sunlight or to extreme environmental conditions.
- Clean the surfaces preferable with a clean damp cloth, then dry with a clean towel.
- Do not use solvents or abrasive materials to clean the unit. If you decide to use a cleaning agent, test first on an area hidden from view.
- Replacement parts might be available to you at no charge, with an original proof of purchase and where a defect has arisen, wholly or substantially, as a result of faulty manufacturing, parts or workmanship during the Warranty Period.
- The warranty does not extend to regular wear and tear, nor the manufacturer assumes liability for damages or consequences due to accidents, incorrect assembly, negligence, improper use, modifications, or not heeding the above warnings.
- Thank you so much for your support! We hope you enjoy your purchase. If there is any damage or missing accessories, please feel free to contact us for free replacement or refund. With your order number, we will try our best to solve this problem for you

**Thank you !**