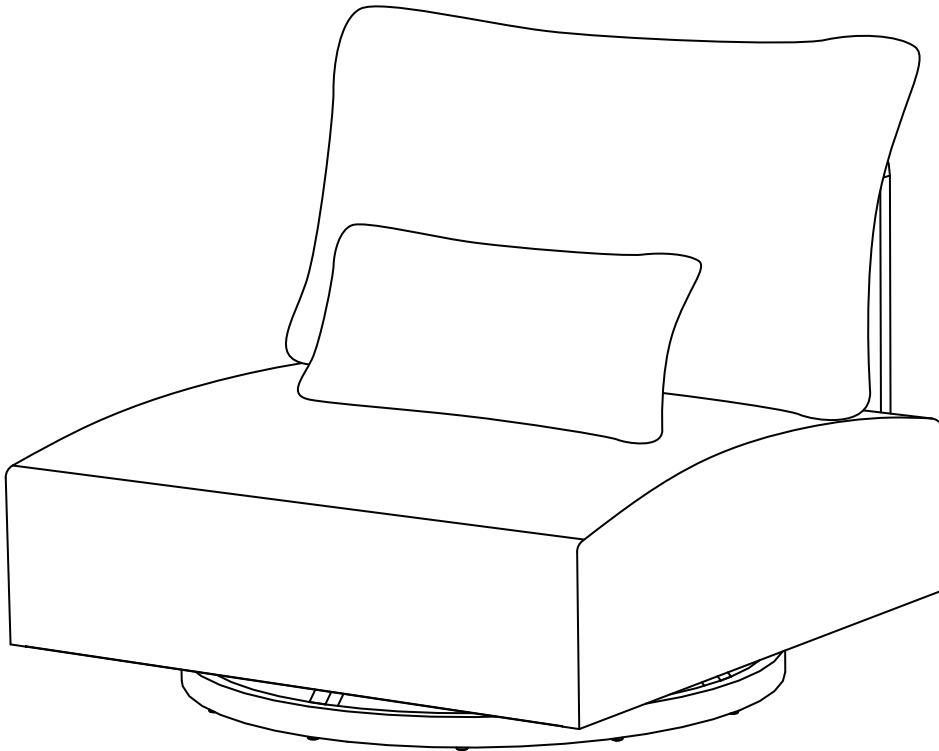
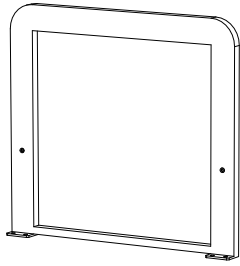

SINGLE SOFA

ASSEMBLY INSTRUCTIONS

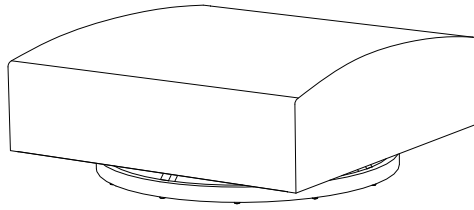


READ & SAVE BELOW INSTRUCTIONS BEFORE ASSEMBLY

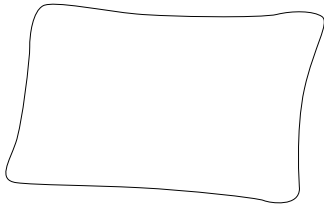
- 1.PLEASE SEPARATE AND IDENTIFY ALL PARTS,MAKING SURE THAT YOU HAVE ALL OF THE PARTS LISTED.
- 2.TO AVOID ANY SCRATCH DURING ASSEMBLY, PLEASE ASSEMBLE ON A SOFT MAT OR SIMILAR.
- 3.PLEASE ASSEMBLE STEP BY STEP AND FOLLOW THE INSTRUCTIONS.
- 4.WASHERS MUST BE USED.
- 5.WHILE EACH SCREW AND NUT IS PROPERLY FASTENED, DO NOT OVER FASTEN IT.
- 6.DO NOT COMPLETELY FASTEN EACH SCREW AND NUT UNTIL ALL THE SCREWS ARE PROPERLY FIXED.



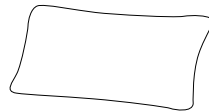
① x1



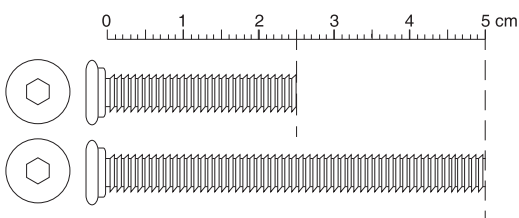
② x1



③ x1



④ x1

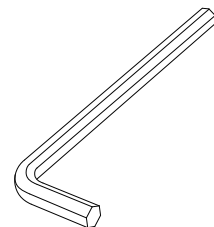


Ax4

Bx2

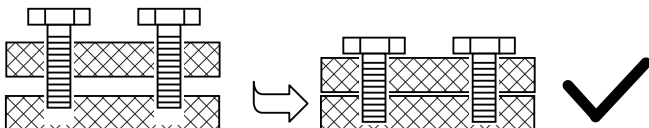


Cx6

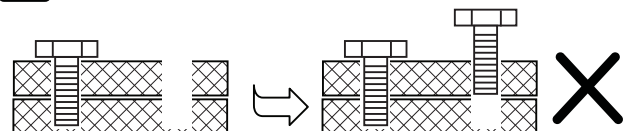


Dx1

Install all the relevant screws, but do not tighten them completely at the very beginning.
Tighten the screws fully one by one.

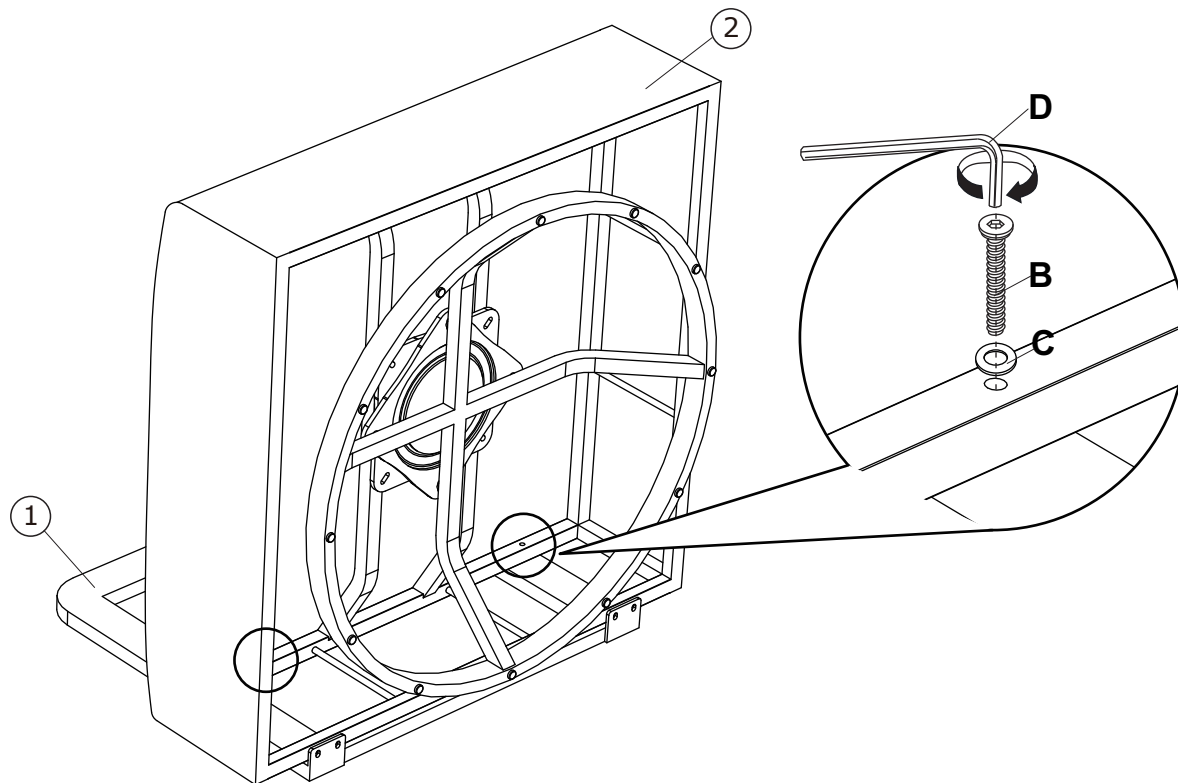


⚠ Don't tighten up the screw before you start next mounting during the installation.

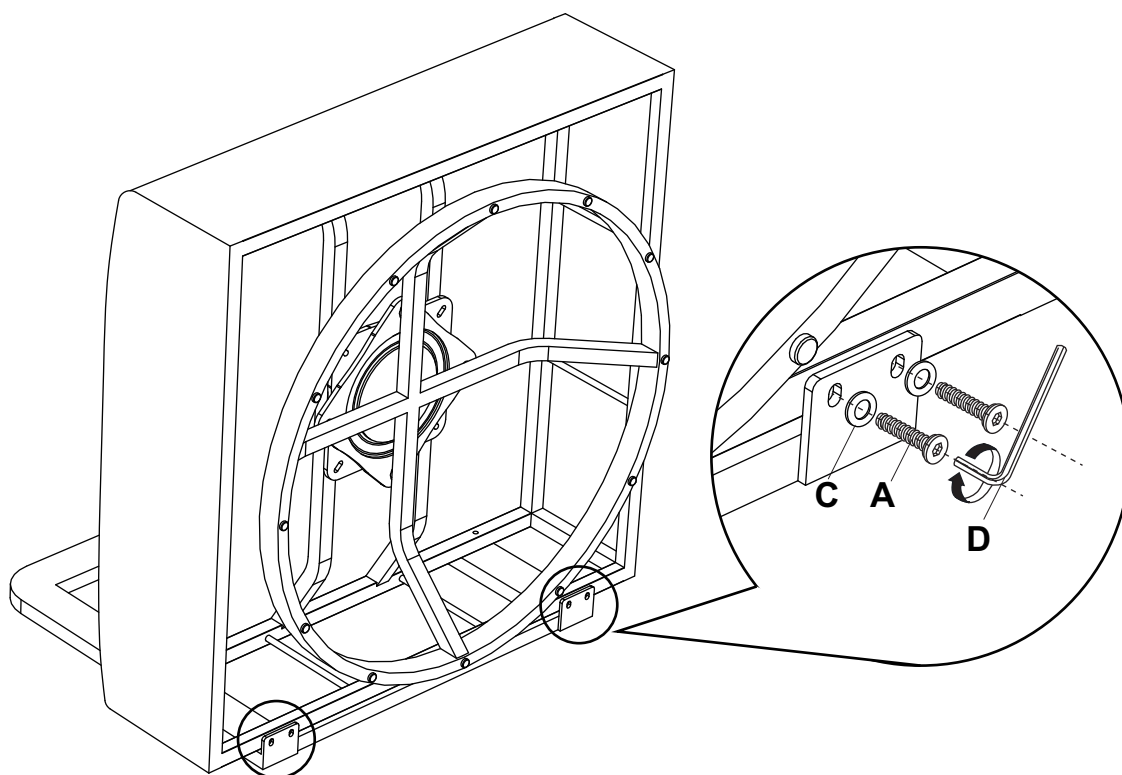


ASSEMBLY STEPS

1

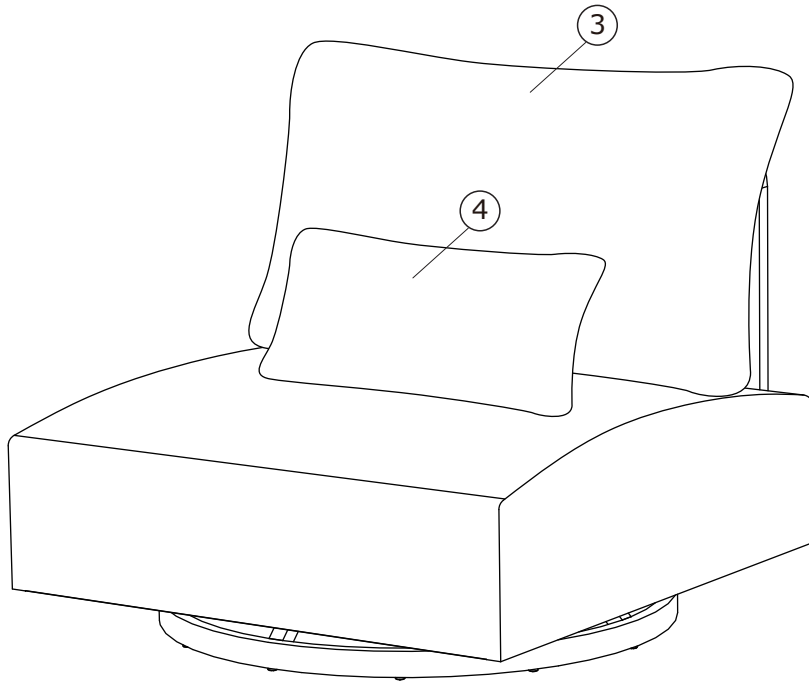


2



ASSEMBLY STEPS

3



CARE AND CLEANING:

1. TO CLEAN,WIPE WITH DAMP CLOTH.DO NOT USE BLEACH,ACID SOLVENTS OR ABRASIVE CLEANERS OR FRAME PARTS.
2. DURING VARYING WEATHER CONDITIONS AND WINTER PERIOD,WE STRONGLY RECOMMEND THAT IT CAN BE STORED IN A DRY AREA WITH A SUITABLE COVER BEFORE STORAGE,PLS ENSURE IT IS CLEAN AND DRY.
3. IN THE EVENT OF BARE METAL SHOWING DUE TO SCRATCH,IT IS PREFERRED TO TREAT WITH A RUST REPELLING VARNISH OR SIMILAR.
4. PERIODICALLY CHECK AND ENSURE THAT ALL THE SCREWS ARE COMPLETELY TIGHTENED.
5. A MATCHING FURNITURE COVER IS STRONGLY RECOMMENDED TO EXTEND THE USAGE LIFE-SPAN.