

# ASSEMBLY INSTRUCTION

1.-2PCS



2.-2PCS



3.-4PCS



A.-16PCS



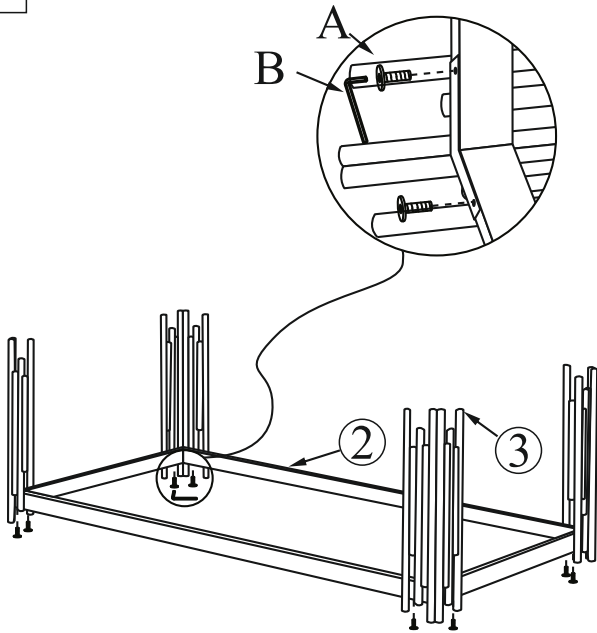
B.-1PC



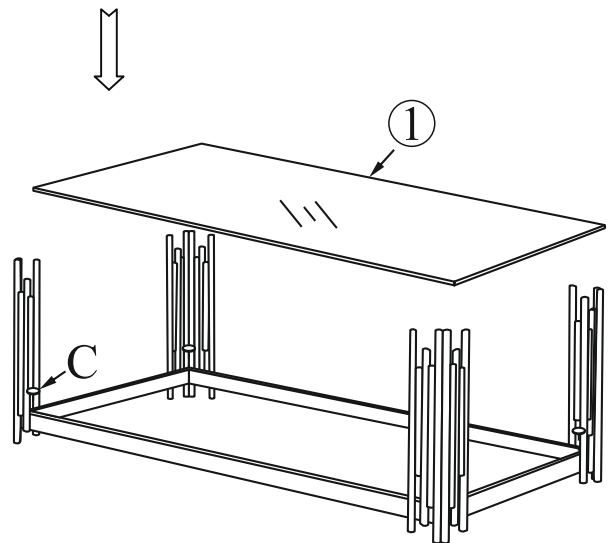
C.-8PCS



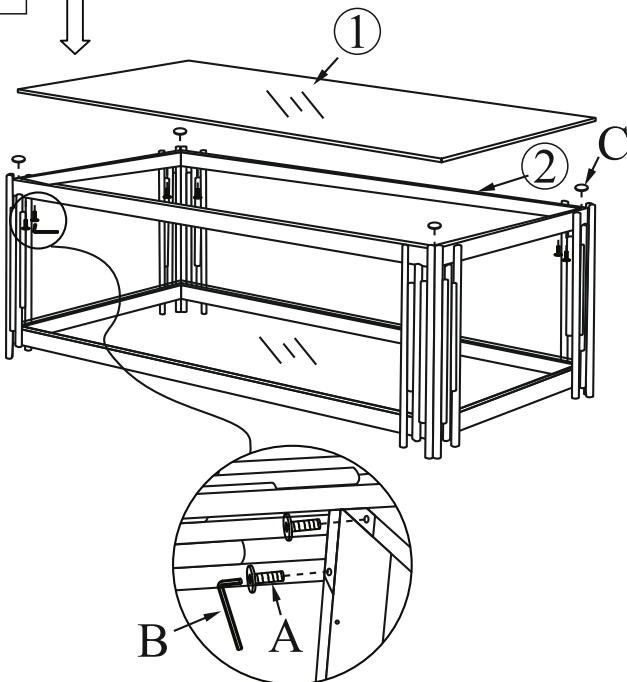
1



2



3



4

