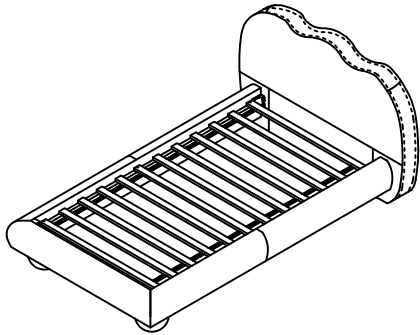


ASSEMBLY INSTRUCTIONS

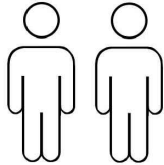
TWIN



+ Do Not Use Power Tools



+ Suggested Adults



NOTE:

- 1 Read instructions cover to cover.
- 2 Save all packaging until assembly is completed.

1 IMPORTANT SAFETY INFORMATION

Do not assemble the product if any of the following parts arrived damaged:

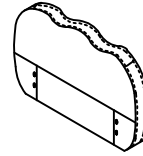
- Part 4 - Side Rails
- Part 5 - Slats

2 IMPORTANT ASSEMBLY INFORMATION

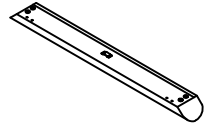
Assembly Step Ensure the side rail bracket is fully hooked onto bolt loosely threaded with both washers on the **OUTSIDE** of the bracket first, then proceed to fully tightening all 4 corners.

+ Parts Included

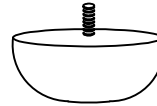
① HEADBOARD
(1 PC)



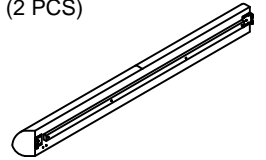
② FOOTBOARD
(1 PC)



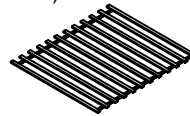
③ BED LEG
(2 PCS)



④ SIDE RAILS
(2 PCS)



⑤ SLATS
(1 SET)



+ Hardware Included

A M6 x 20mm
(8 PCS)



B 5/16 HEX NUT
(2 PCS)



C M6
(8 PCS)



D M6
(8 PCS)



E M8
(2 PCS)



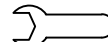
F M8
(2 PCS)



G LB 001
(2 PCS)



H SPANNER 13mm
(1 PC)



I M4 x 38mm
(6 PCS)



J M4
(1 PC)



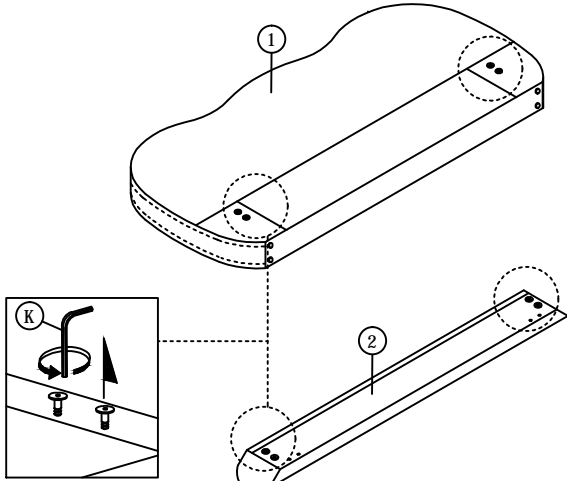
K M5
(1 PC)



ASSEMBLY INSTRUCTIONS

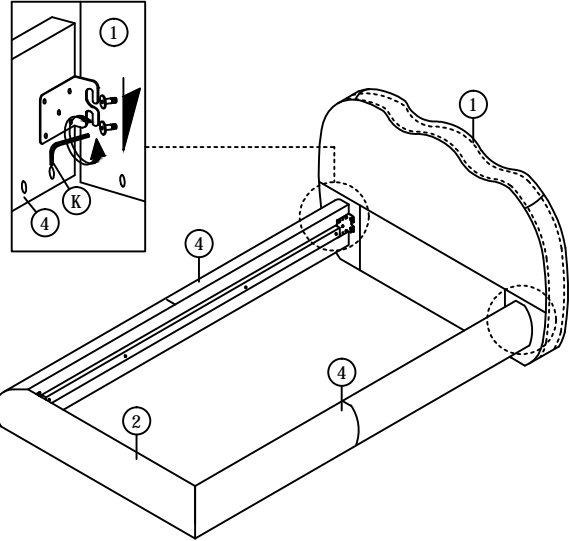
TWIN

1

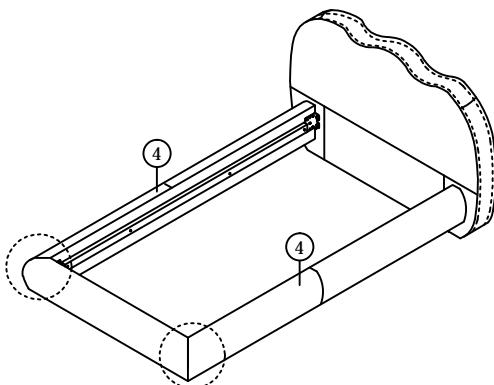


Loosen the pre-inserted bolt on the headboard and footboard using Allen key ball shape (K).

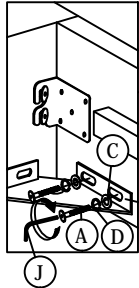
2



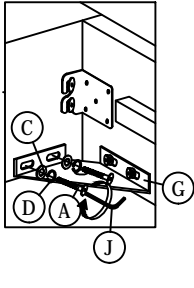
3



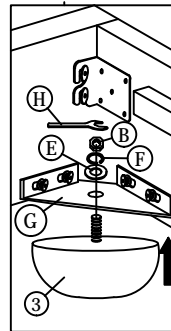
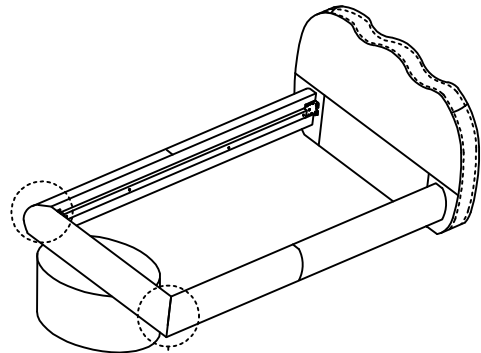
STEP 3.1



STEP 3.2



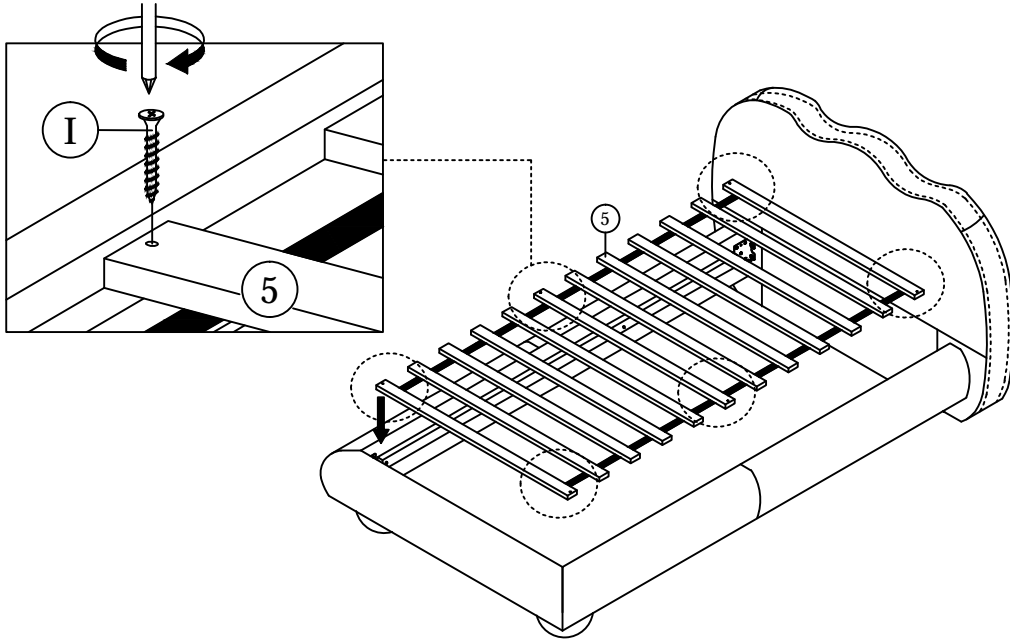
4



ASSEMBLY INSTRUCTIONS

TWIN

5



6

