

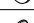



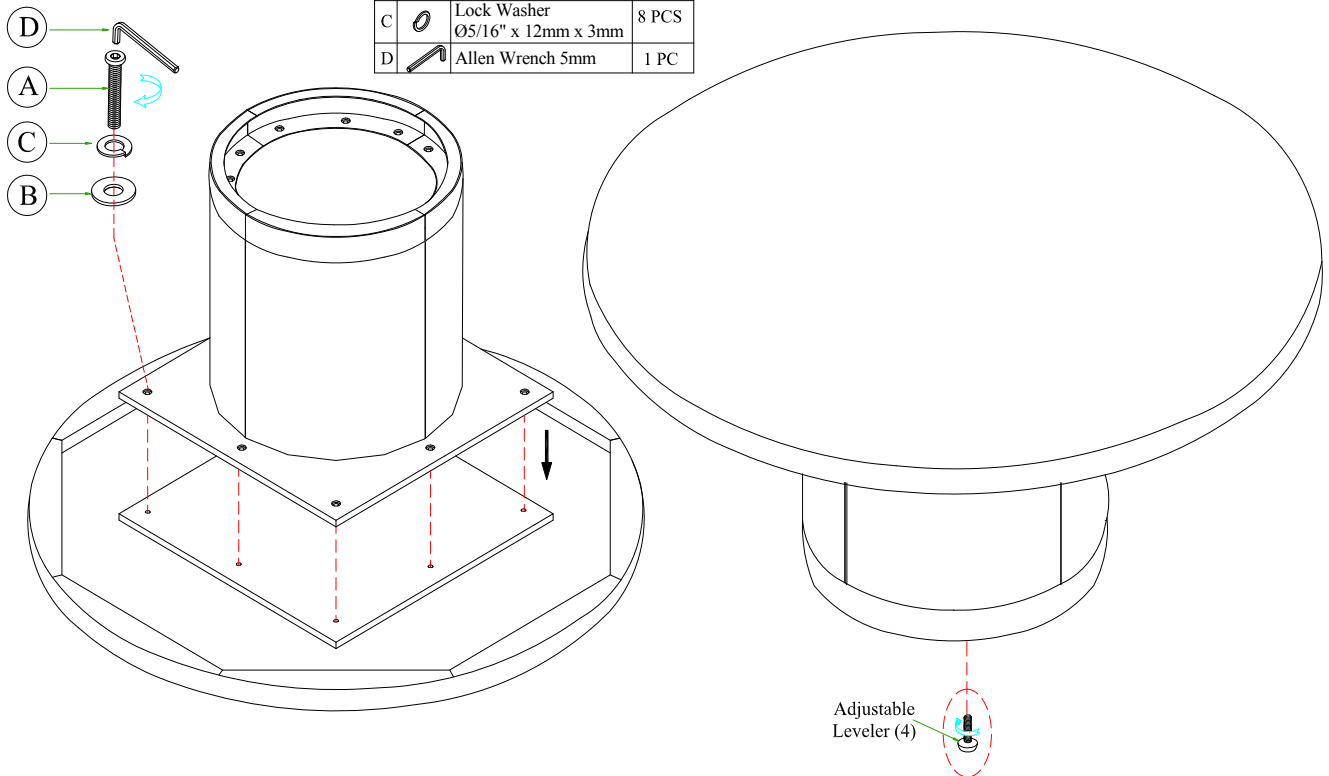


BARCLAY BUTERA.

PARK CITY ASSEMBLY INSTRUCTIONS

930-875C Silvercreek Round Dining Table

Part	Hardware List	Qty
A	 Bolt Ø5/16" x 1-1/2"	8 PCS
B	 Flat Washer Ø5/16" x 19mm x 2mm	8 PCS
C	 Lock Washer Ø5/16" x 12mm x 3mm	8 PCS
D	 Allen Wrench 5mm	1 PC



To Assemble Table:

1. Place table top upside-down on flat, clean, non-marring surface.
2. Position pedestal so that holes in pedestal bridgeplate align with holes in table top bridgeplate.
3. Use Allen Wrench (D) to attach pedestal to table top with (8) of each: Flat Washers (B), Lock Washers (C), and Bolts (A). Fully tighten all bolts.
4. Return assembled table to its upright position and place in desired location.

To Level Table: Insert levelers into holes on bottom of pedestal and twist until hand-tight. Once all levelers are attached to pedestal, slightly tilt table forward or backward as required to reach levelers. Rotate levelers clockwise to raise and counter-clockwise to lower.

LEXINGTON®
HOME BRANDS