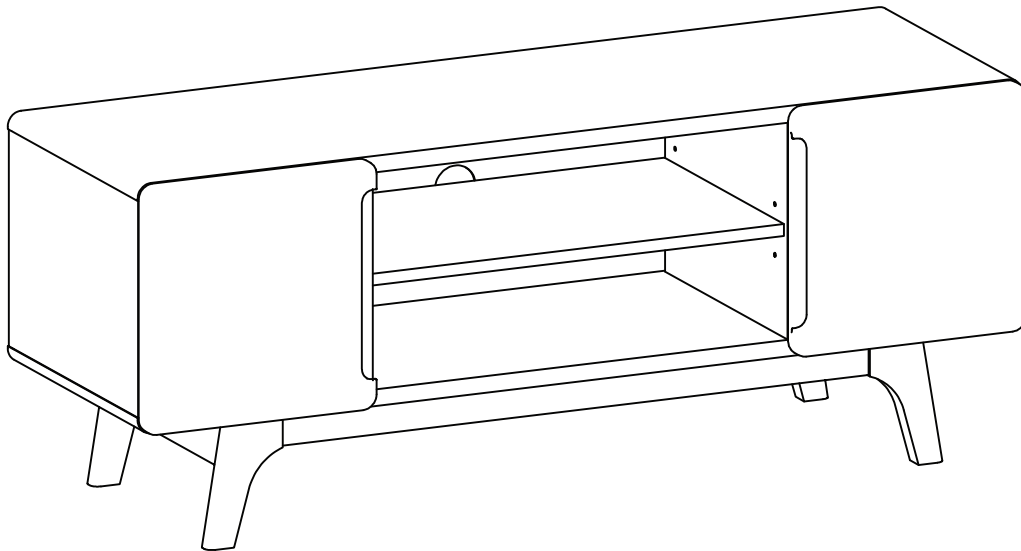


TV Stand

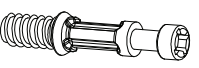

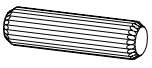
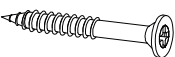
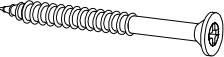
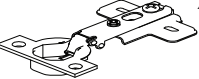
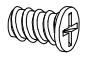

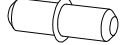




Thank you for purchasing the **TV Stand** !

Before you start, here is some helpful advice:

1. We suggest you spend a short time reading through this leaflet and then follow the simple step-by-step instructions.
2. Owing to the size and weight of the desk, we recommend that it is assembled by two adults, on a carpeted or padded area, in the room that it is intended for. Approximate assembly time: 60 minutes.
3. Please do not use any tools other than those provided or recommended in these instructions.
4. Please do not throw away any of the packaging or instructions until you have checked all the components and hardware and the furniture is fully assembled.
5. Assemble all components loosely until advised to tighten. Depending on use, it may be necessary to tighten the components from time to time, so please save the tools that have been provided.
6. Please keep all pieces out of reach of children.

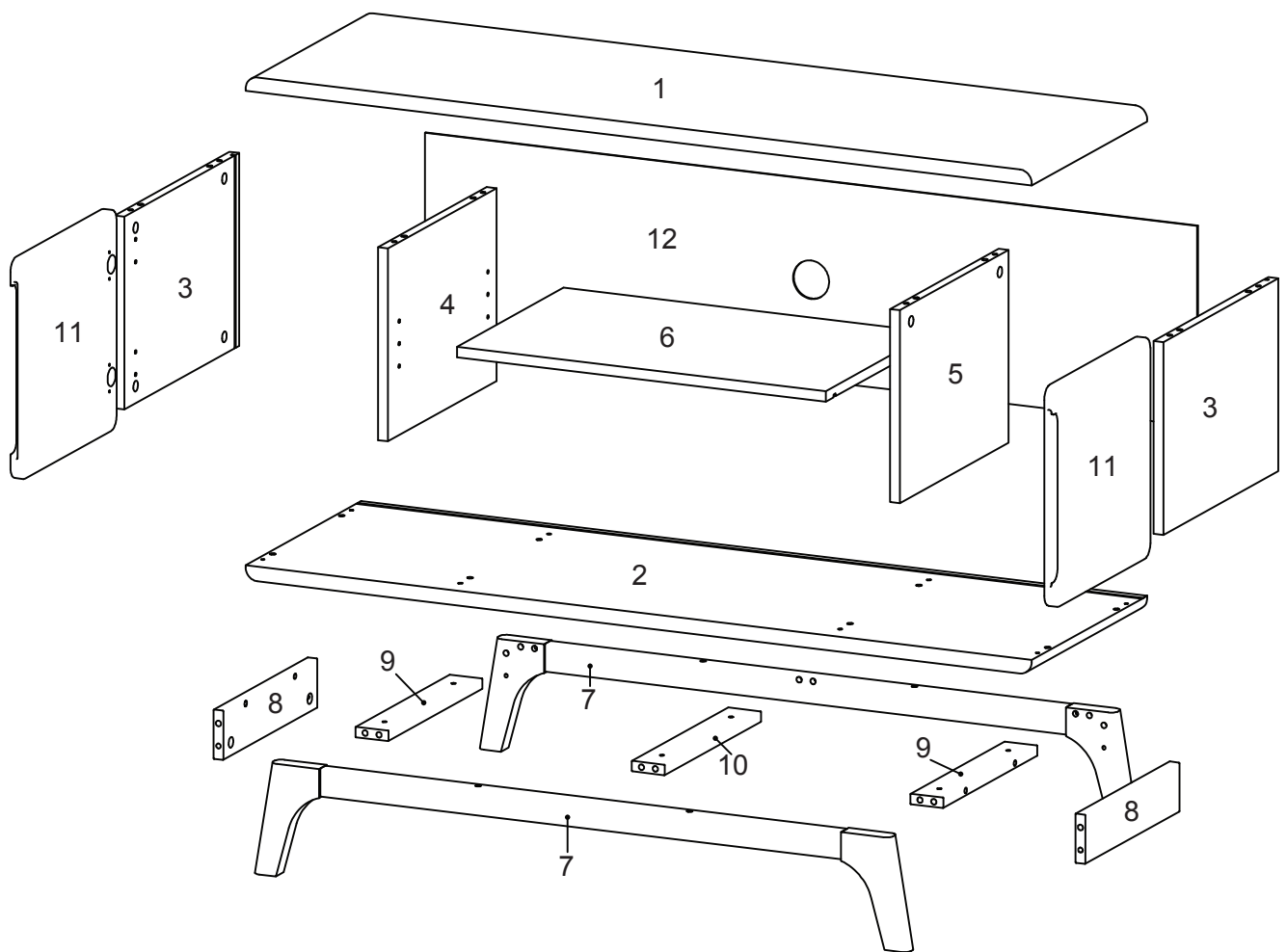


Hardware :

| | | | | |
|--|---|--|---|--|
| A x 16  $\varnothing 6 \times 35 \text{ mm}$ | B x 16  $\varnothing 15 \text{ mm}$ | C x 40  $\varnothing 8 \times 30 \text{ mm}$ | D x 6  M 12 x 35 mm | E x 4  M 12 x 45 mm |
| F x 4  86 x 52 x 11 mm | G x 8  M 6.5 x 10.5 mm | H x 8  M 3.5 x 13 mm | I x 4  $\varnothing 5 \times 15 \text{ mm}$ | J x 8  M 3.5 x 15.5 mm |
| K x 8  9 x 14 x 10 mm | L x 4  $\varnothing 8 \text{ mm}$ | M x 1  Screwdriver (Not Include) | | |

TV Stand

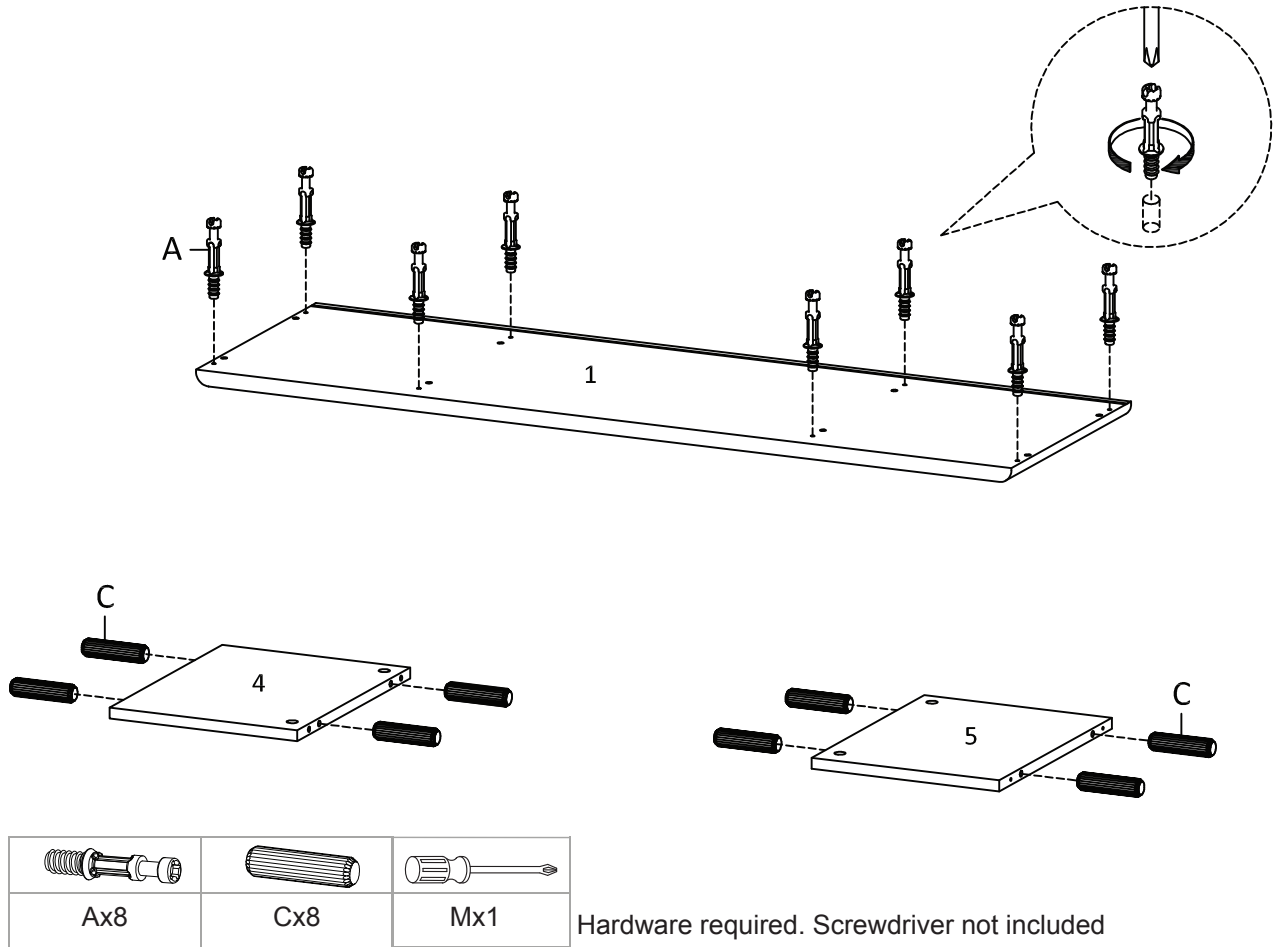
Components:



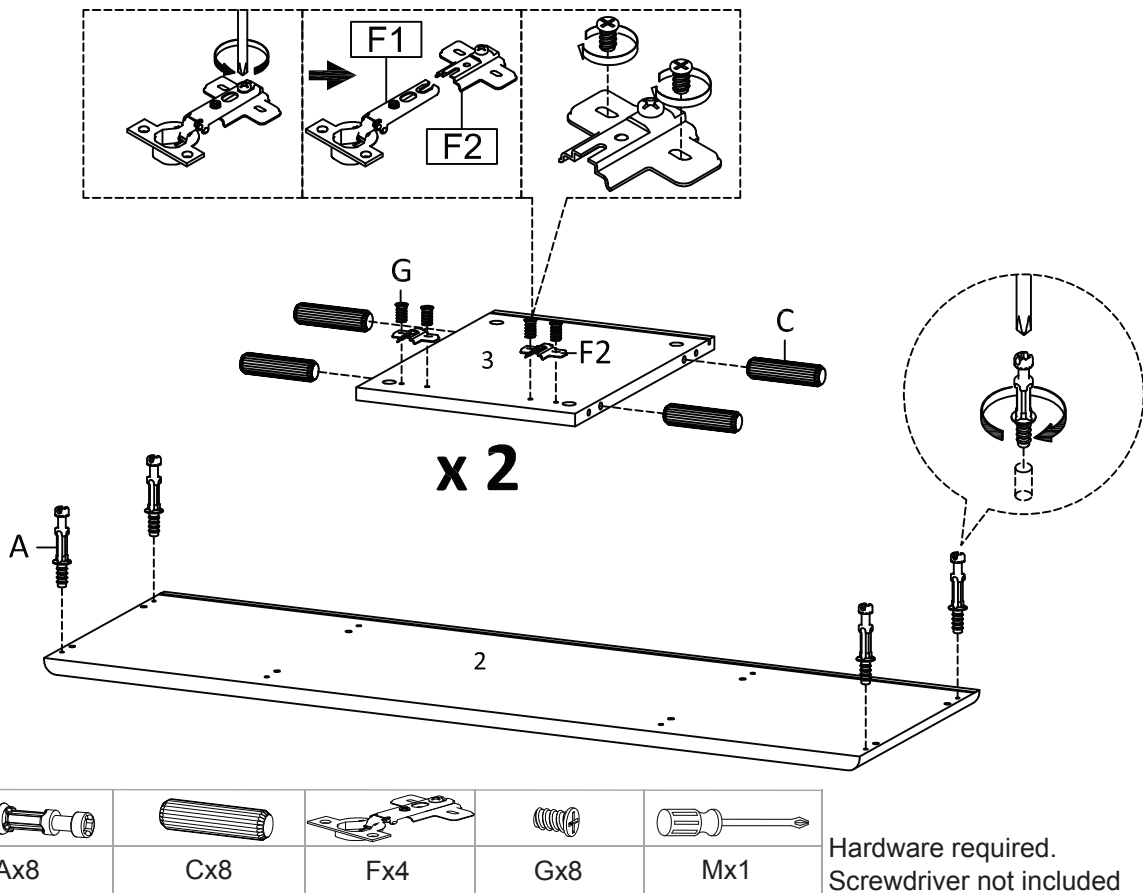
| | | | | | | | | | | | |
|---|--------------------|----|----|------------------|----|----|--------------|----|----|-------------------|----|
| 1 | Top Board | x1 | 2 | Bottom Board | x1 | 3 | Side Board | x2 | 4 | Center Board Left | x1 |
| 5 | Centre Board Right | x1 | 6 | Adjustable Shelf | x1 | 7 | Assembly Leg | x2 | 8 | Support Board 1 | x2 |
| 9 | Support Board 2 | x2 | 10 | Support Board 3 | x1 | 11 | Wooden Door | x2 | 12 | Back board | x1 |

TV Stand

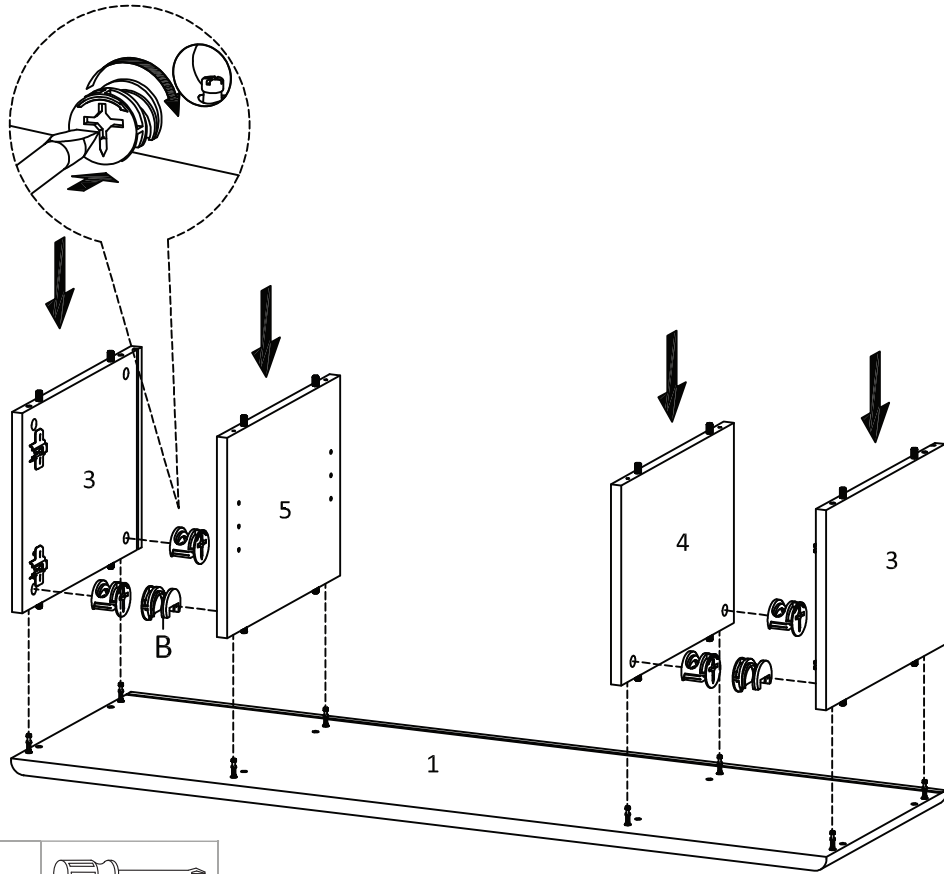
STEP 1:


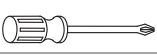


STEP 2:



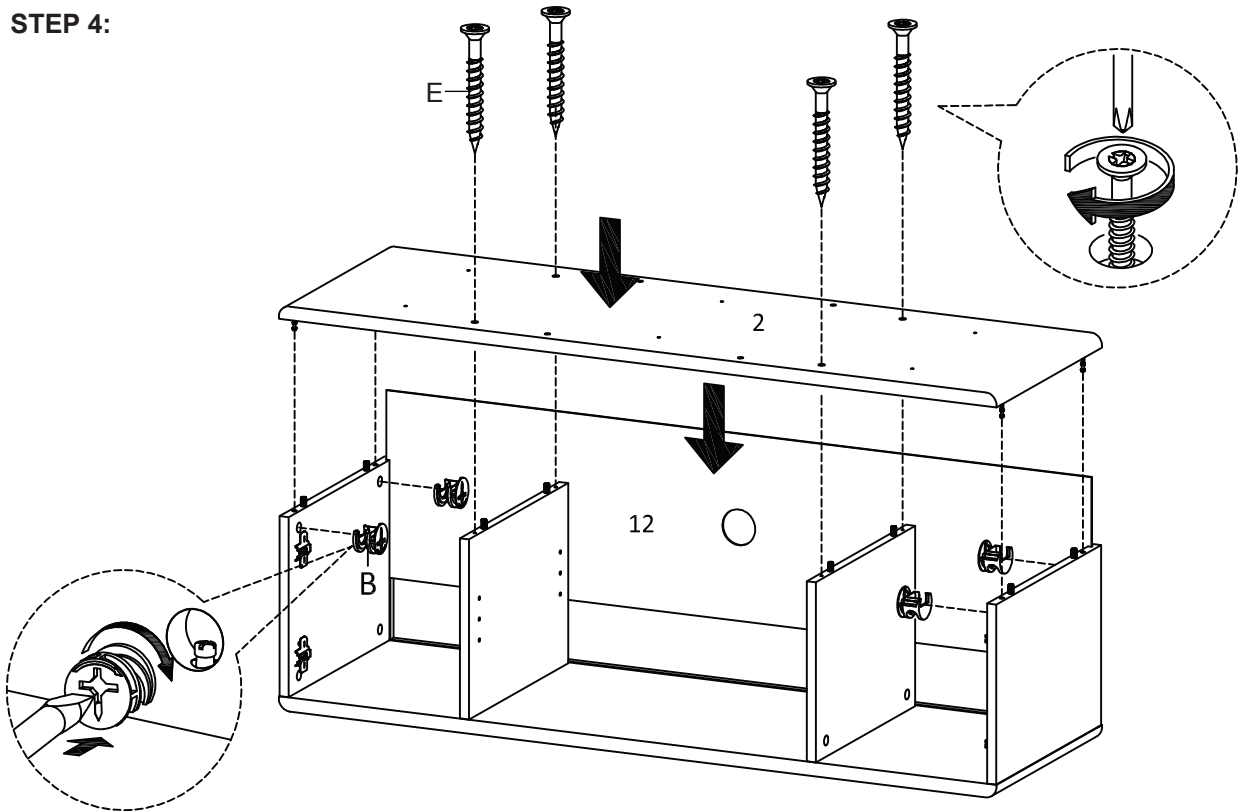
STEP 3:




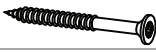
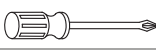
| | |
|---|---|
|  |  |
| Bx8 | Mx1 |

Hardware required. Screwdriver not included

STEP 4:



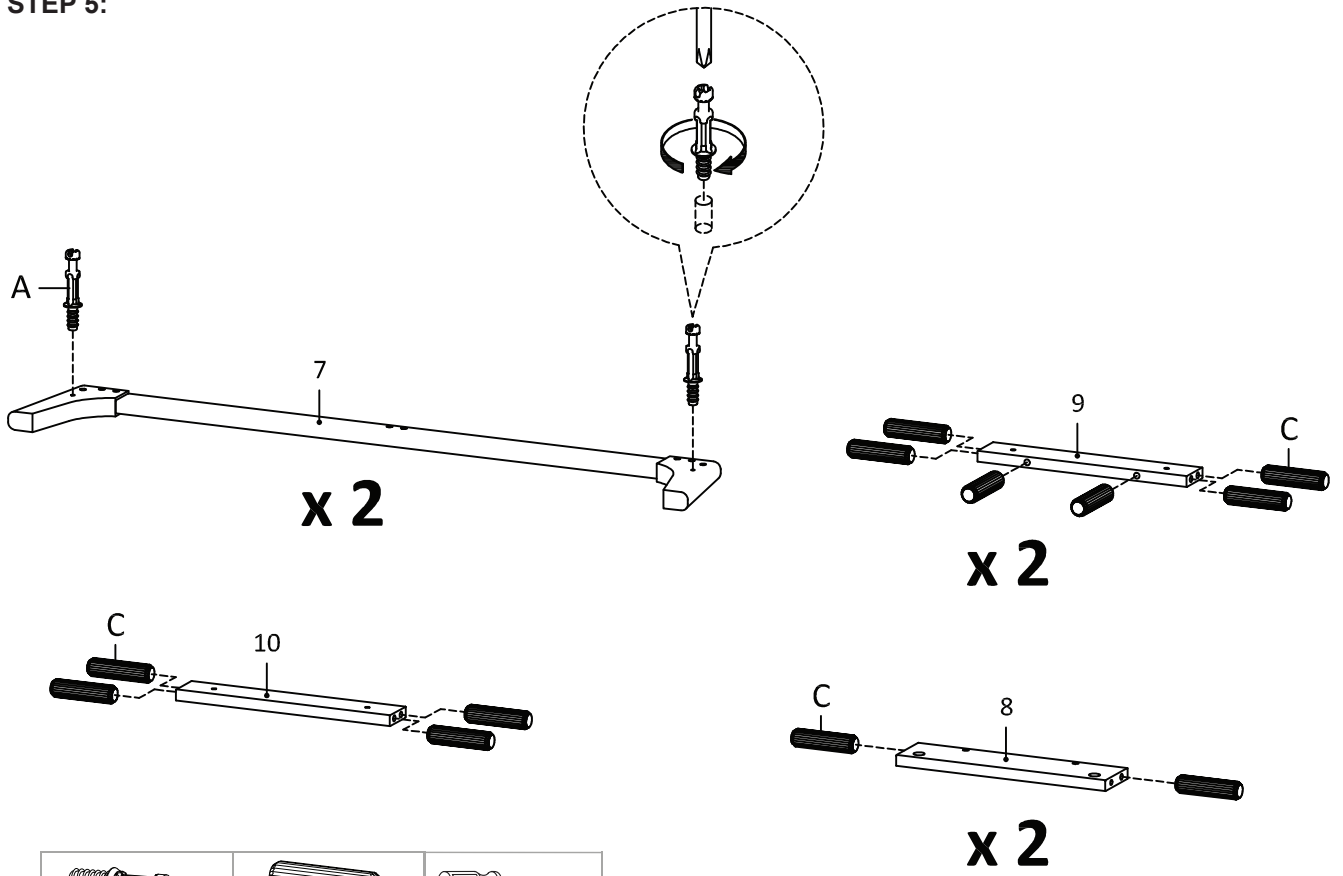
Attention: Insert part 12 (Back Board) first and then part 2 (Bottom Board)



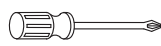
| | | |
|---|---|---|
|  |  |  |
| Bx4 | Ex4 | Mx1 |

Hardware required. Screwdriver not included

TV Stand

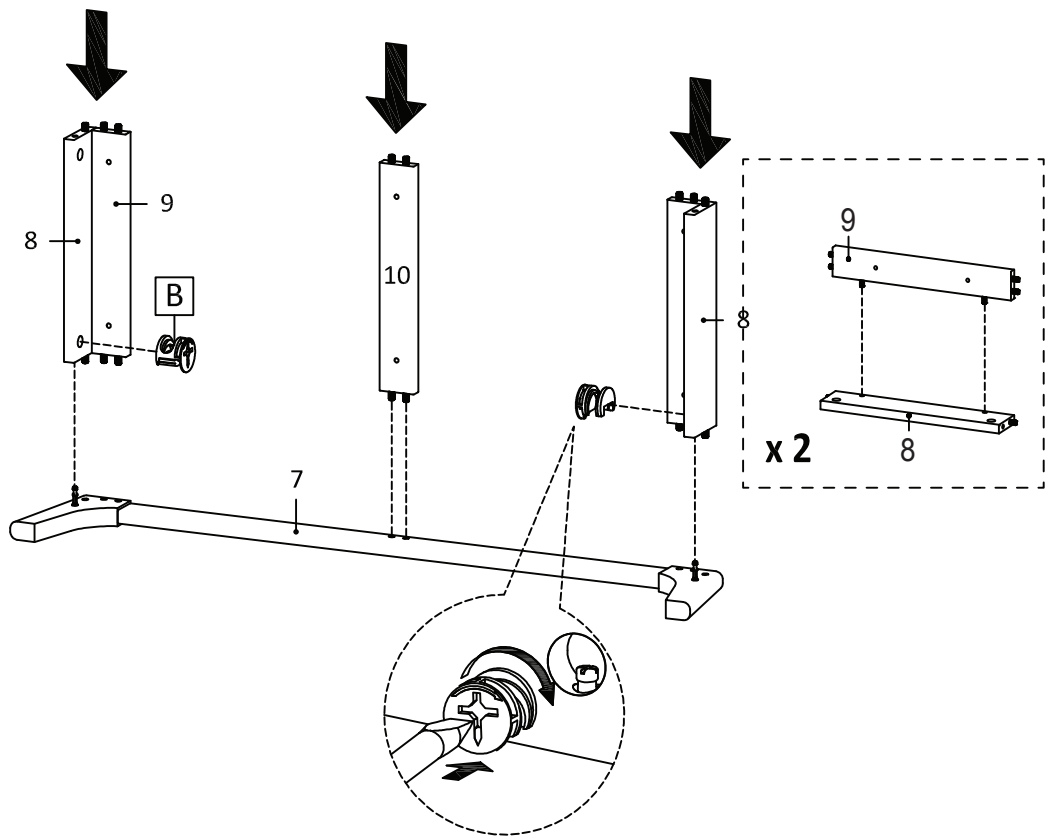
STEP 5:


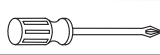


| | | |
|---|---|---|
|  |  |  |
| Ax4 | Cx20 | Mx1 |

Hardware required. Screwdriver not included

STEP 6:

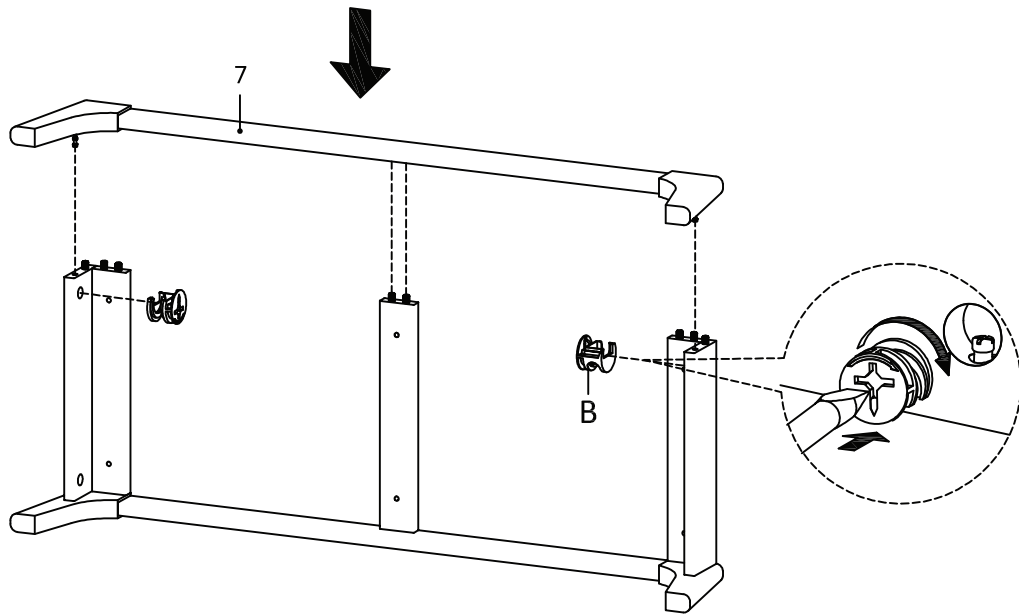



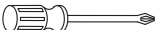
| | |
|---|---|
|  |  |
| Bx2 | Mx1 |

Hardware required. Screwdriver not included

TV Stand

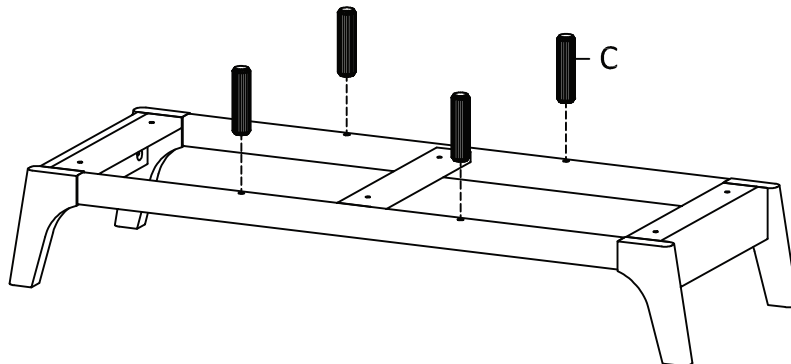
STEP 7:

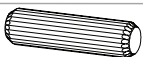


| | |
|---|---|
|  |  |
| Bx2 | Mx1 |

Hardware required. Screwdriver not included

STEP 8:

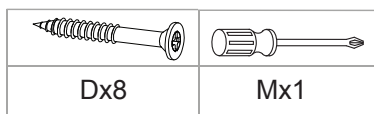
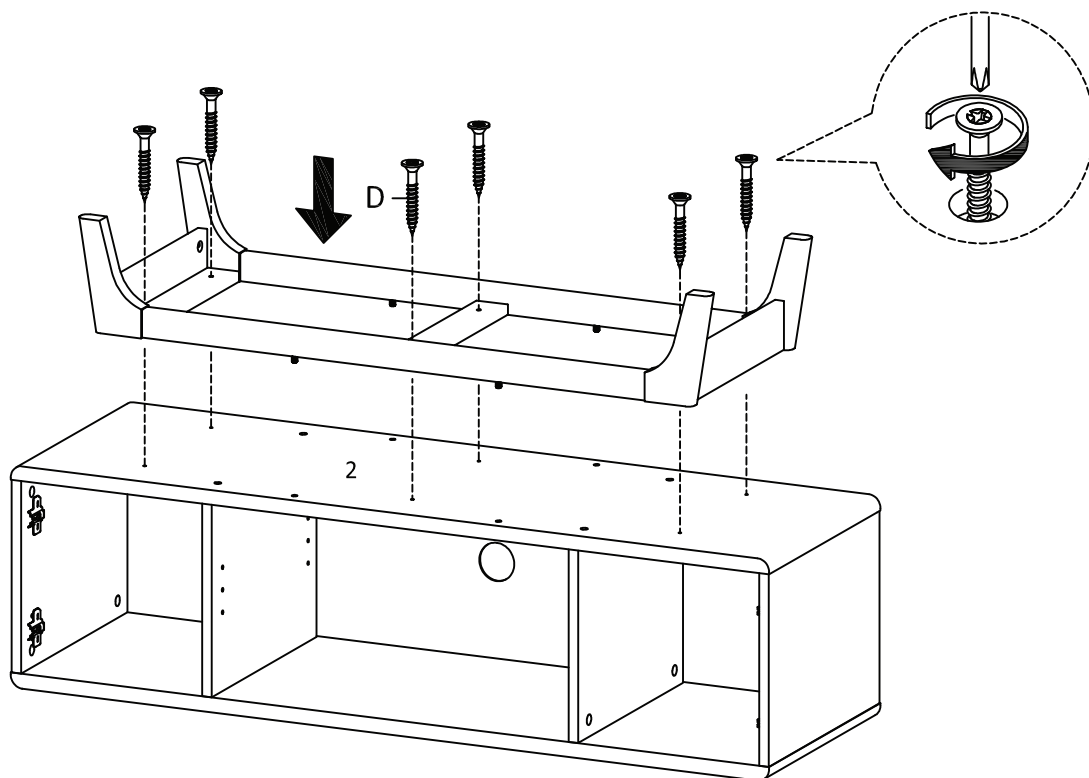


| |
|---|
|  |
| Cx4 |

Hardware required

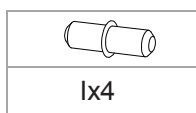
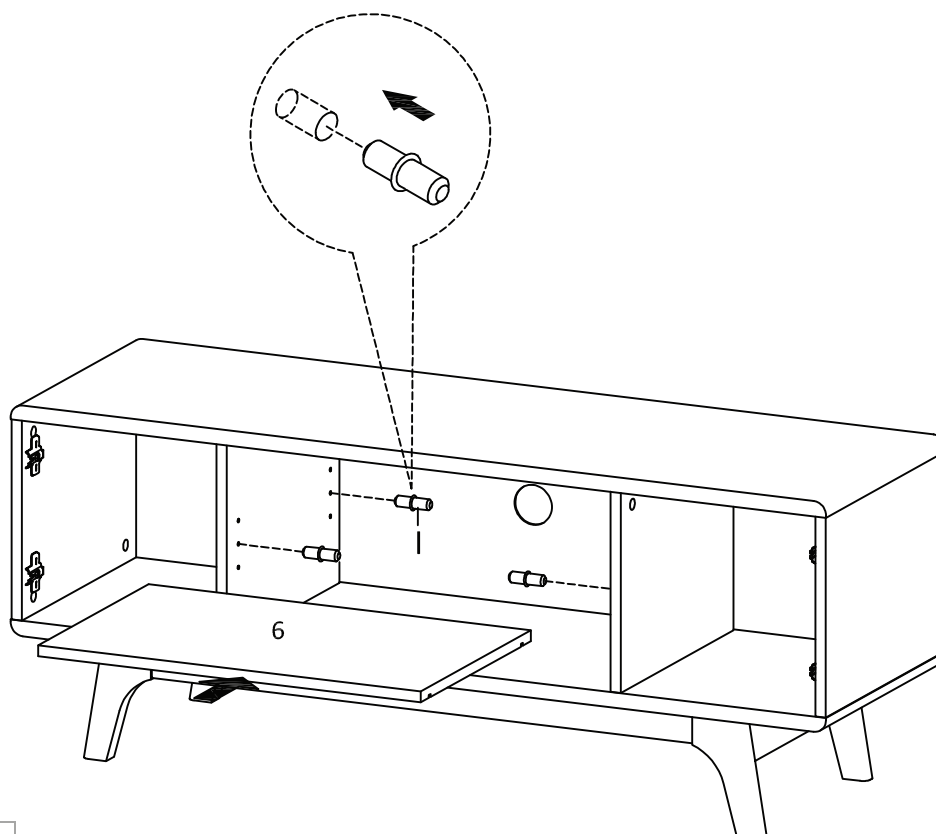
TV Stand

STEP 9:



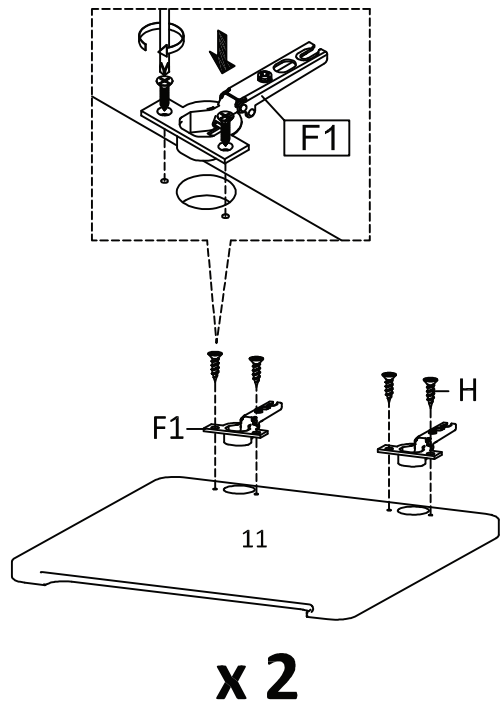
Hardware required. Screwdriver not included

STEP 10:



Hardware required

STEP 11:

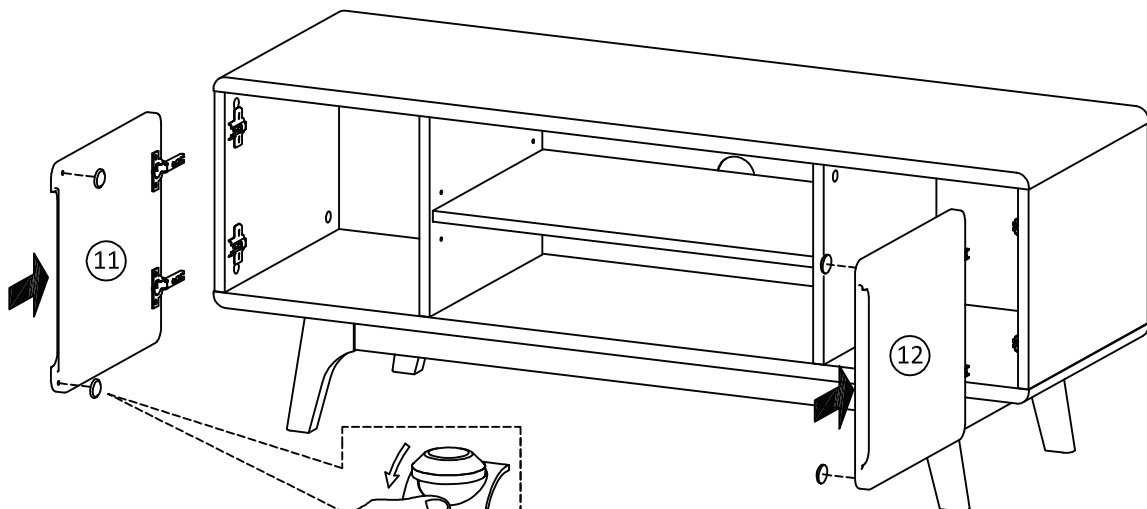
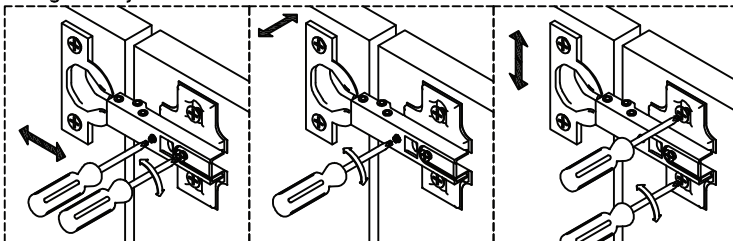




| | | |
|---|---|---|
|  |  |  |
| Fx4 | Hx8 | Mx1 |

Hardware required. Screwdriver not included

STEP 12:

Hinges Adjustment

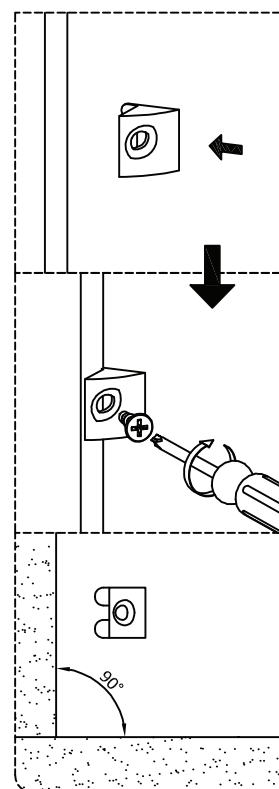
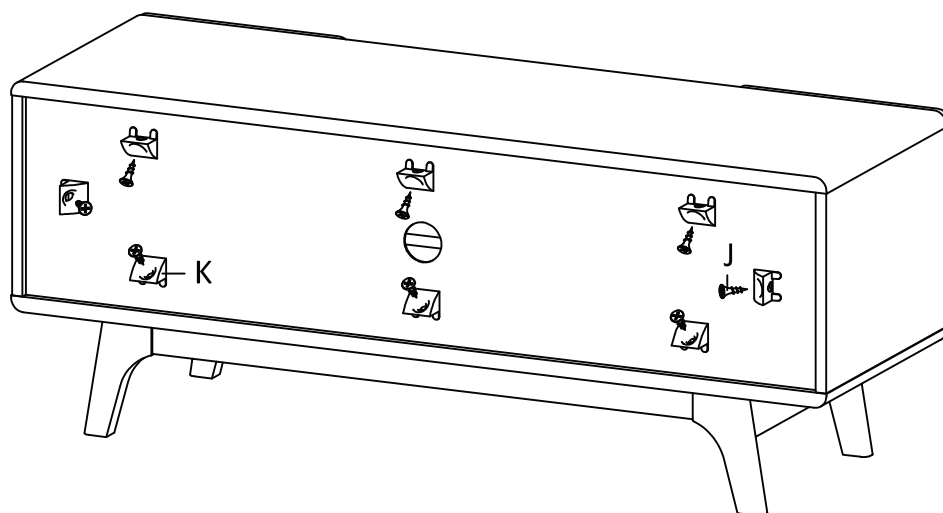





| | |
|---|---|
|  |  |
| Lx4 | Mx1 |

Hardware required. Screwdriver not included

TV Stand

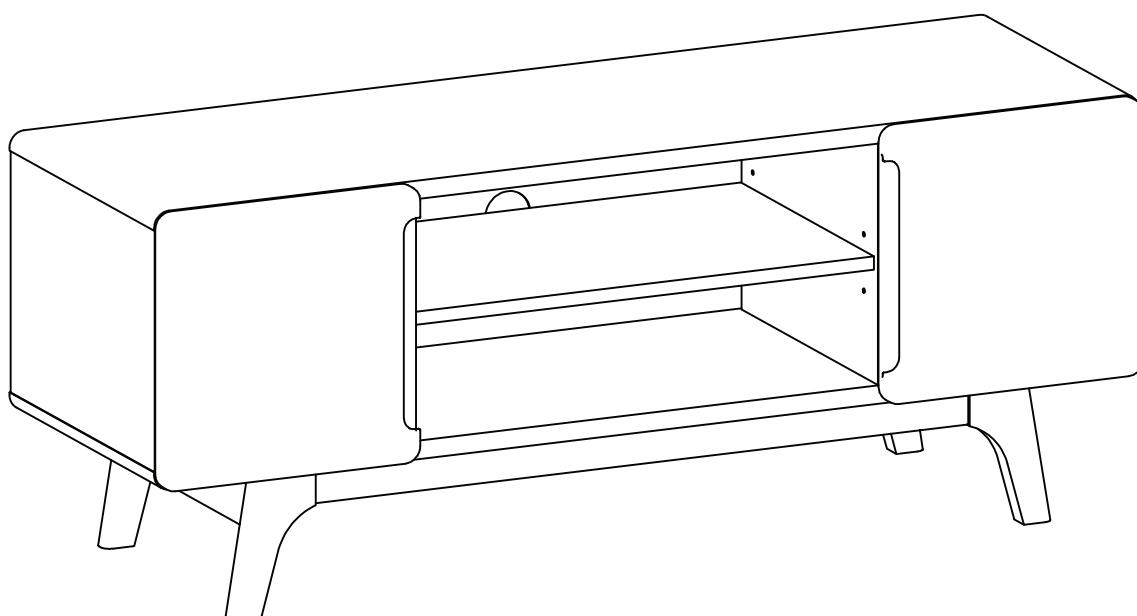
STEP 13:



| | | |
|---|---|---|
|  |  |  |
| Jx8 | Kx8 | Mx1 |

Hardware required. Screwdriver not included

STEP 14:



Assembly is completed. The TV Stand is ready to enjoy now !