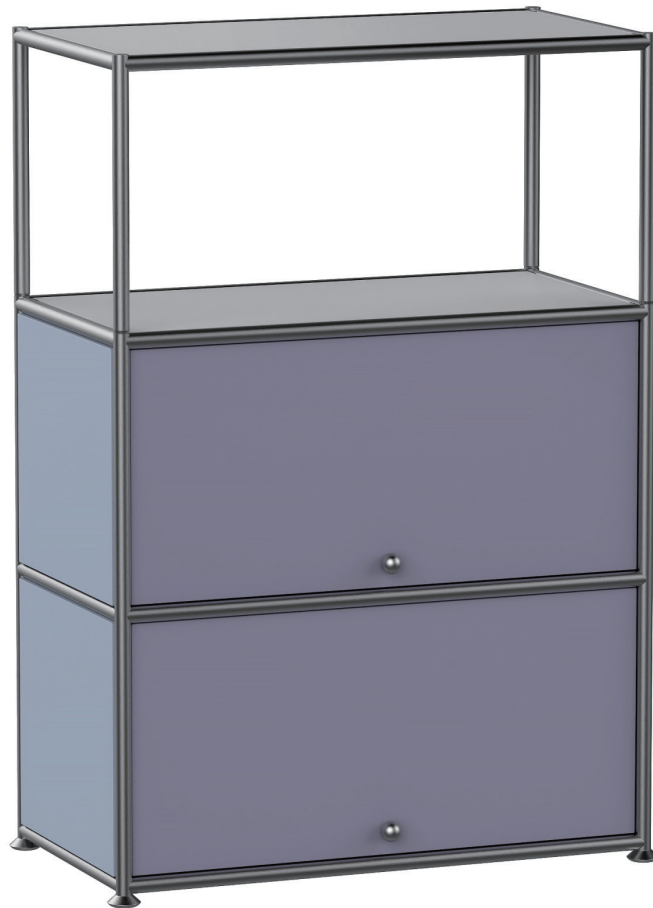


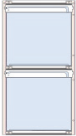




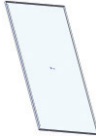
Instruction Manual

4-Layer Storage Cabinet








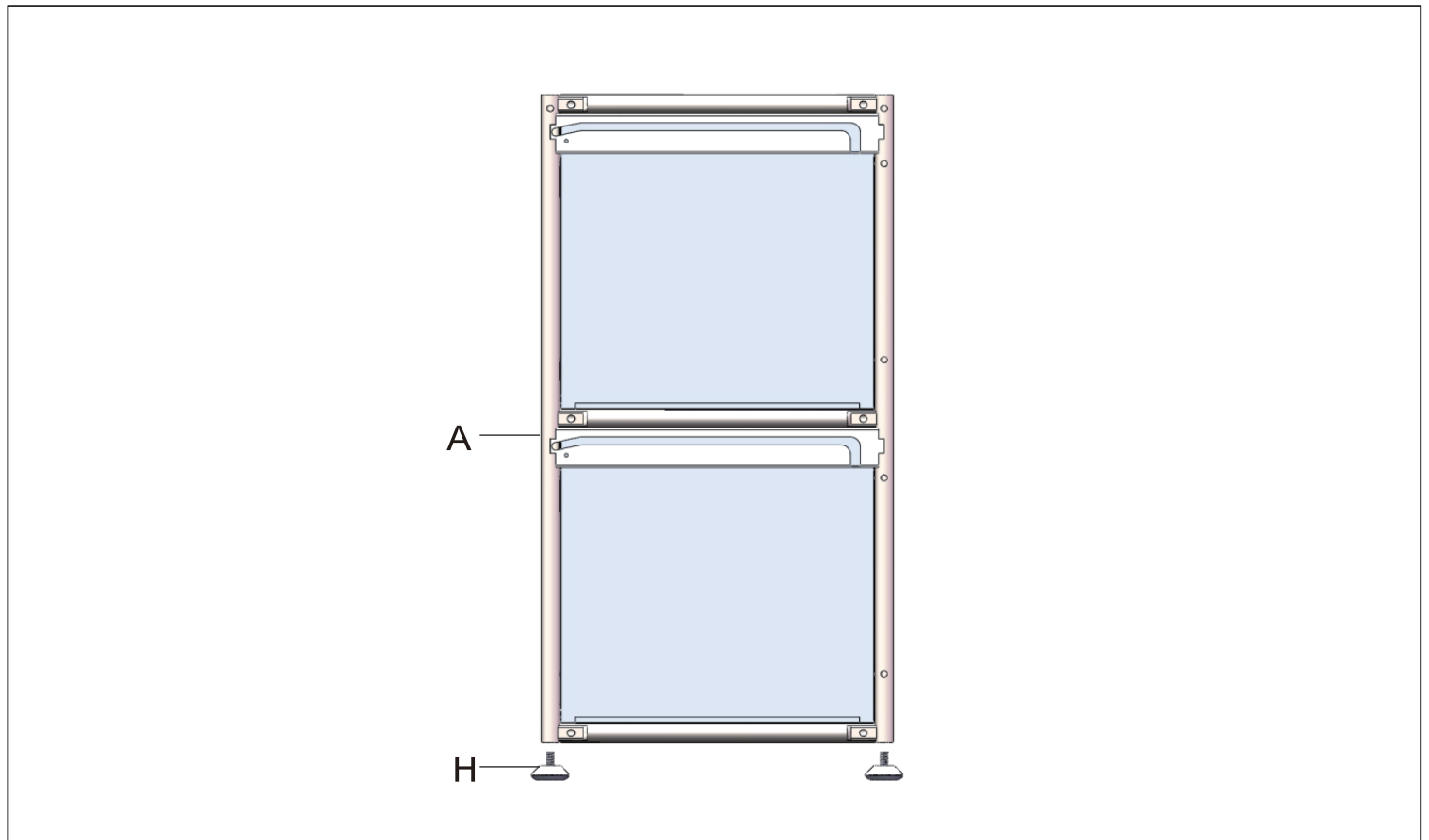
1. Please find the assembly guidelines on Page 2 - 5.
2. If you find any defects or missing parts, please contact us . Please tell us your order number, delivery address and which part you needed. No matter how you contact us, we will reply within 8 hours and provide you with a satisfactory solution.

① Main Part

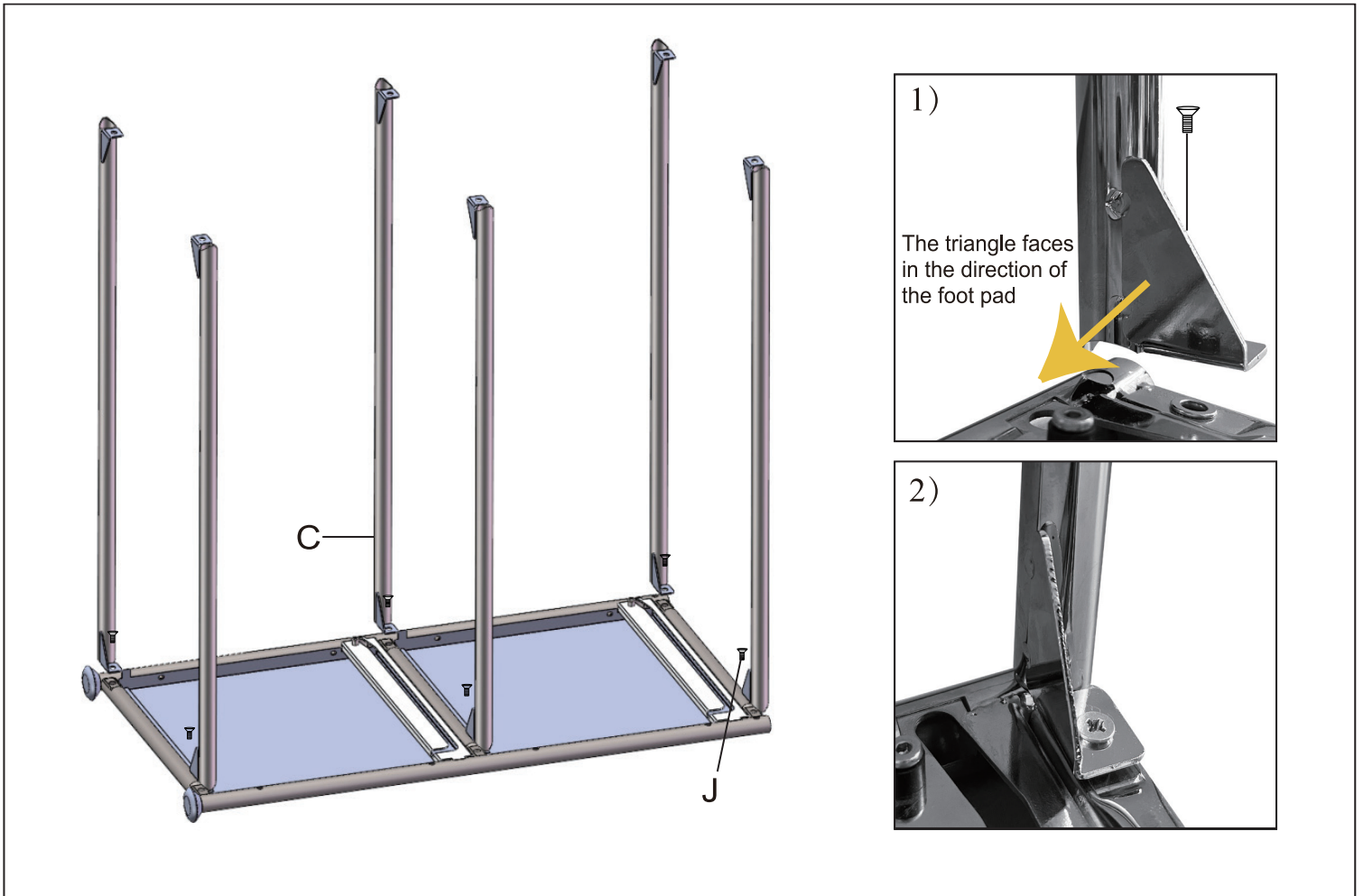
	 A Side Panel	 B Frame	 C Connecting Rod	 D Layer	 E Door Panel	 F Backboard
Quantity	2	2	8	4	2	2

② Tool

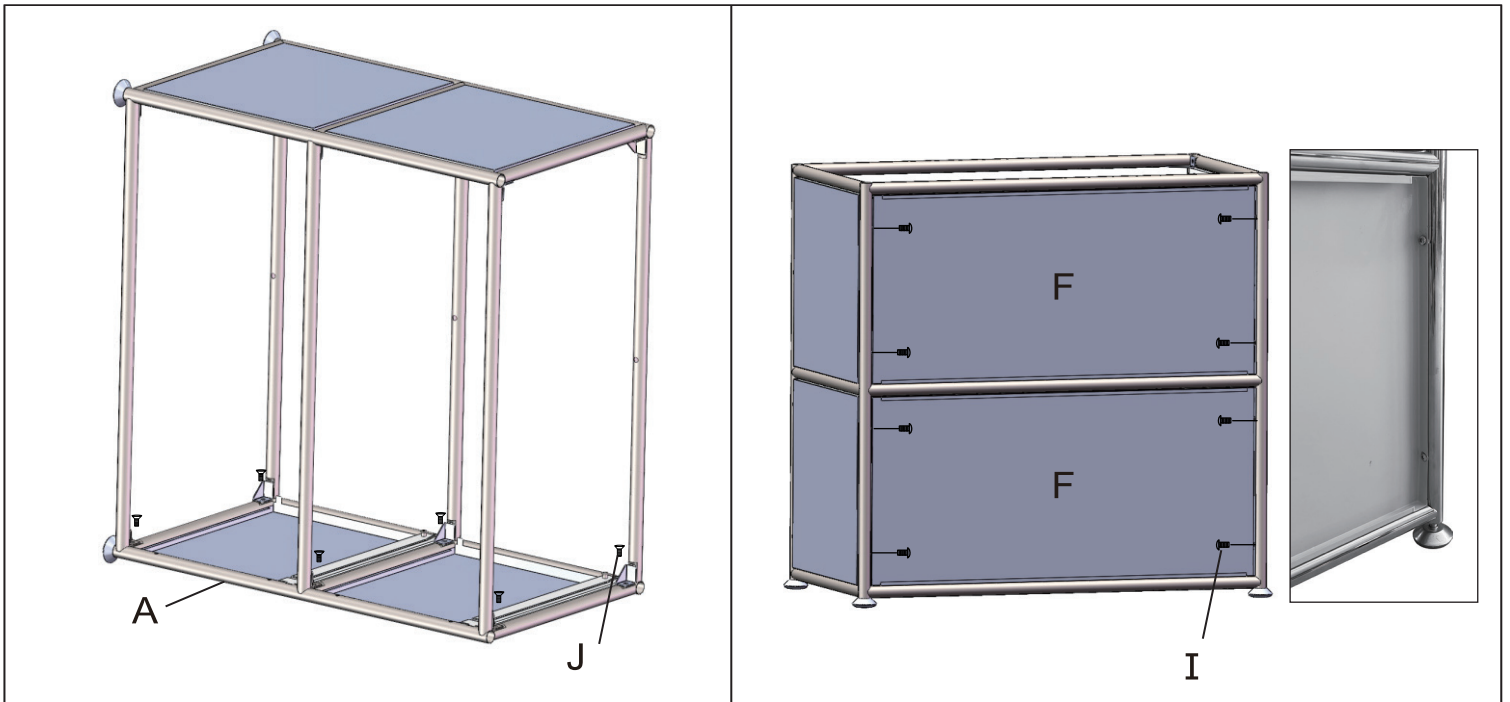
	 G Screwdriver	 H Floormat	 I Small Screws	 J Large Screws	 K Door Handle
Quantity	1	4	10	16	2



1. Place the Part H at the bottom of Part A.

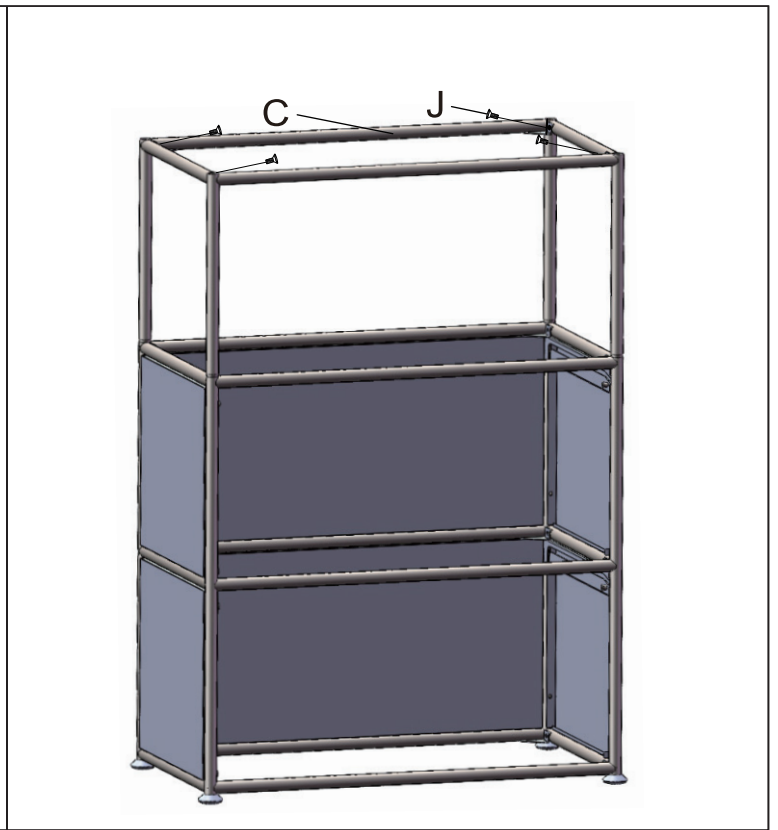
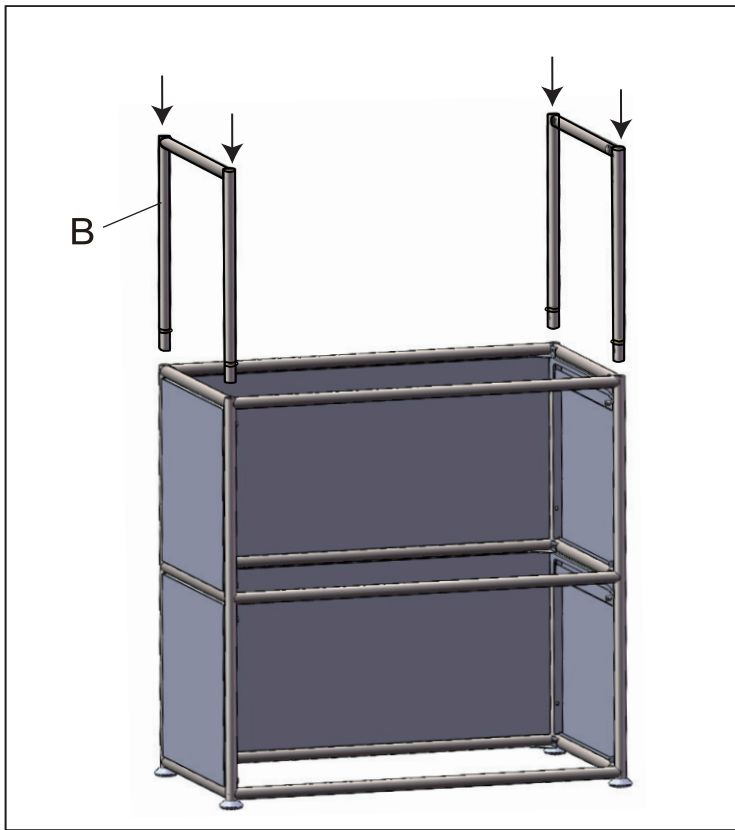


2. Use Part J to install Part C on Part A. Pay attention that the lower part of the triangular support piece on the connecting rod is facing the direction of the adjusting feet.



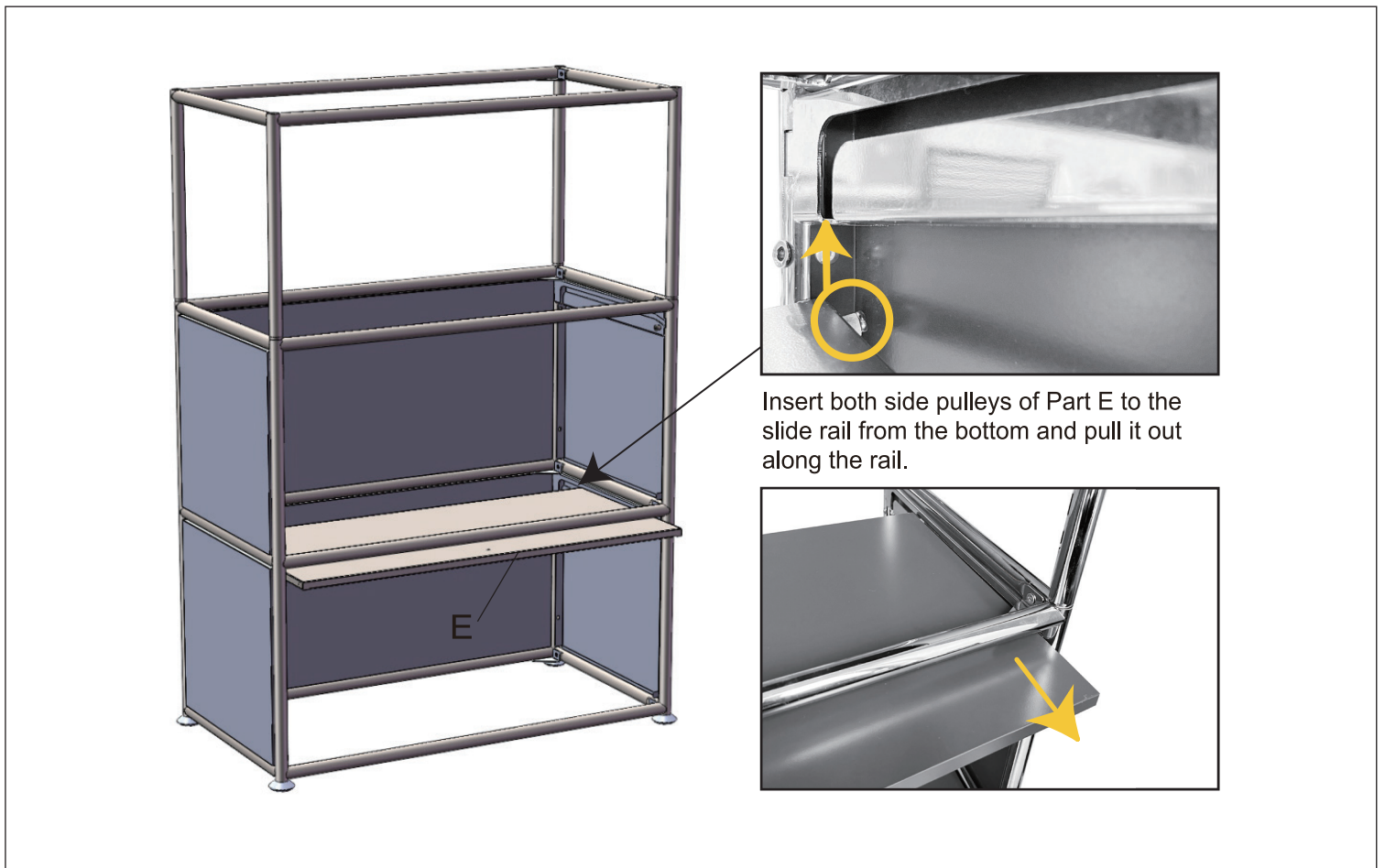
3. Turn the assembled frame upside down and use Part J to complete the installation with the other Part A.

4. Use Part I to assemble Part F with the frame.



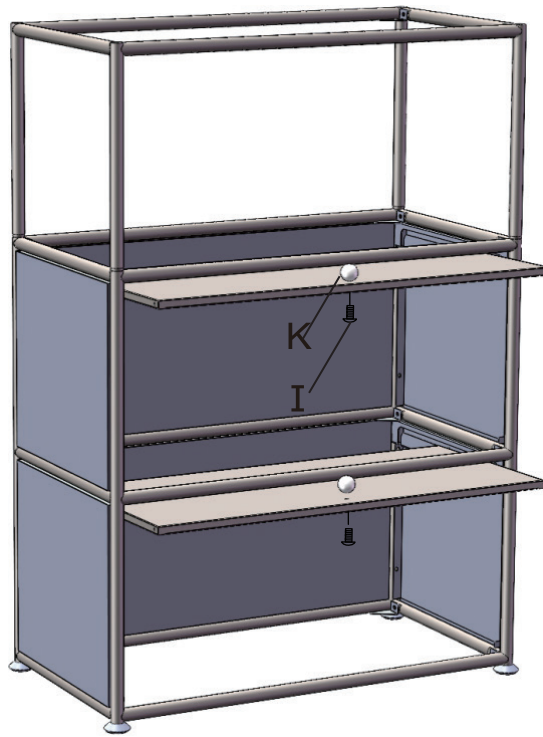
5. Insert two Part B into the circular tubes of the side panel respectively. Pay attention that the spring clips should face inward.

6. Use Part J connect to the two Part C to Part B.

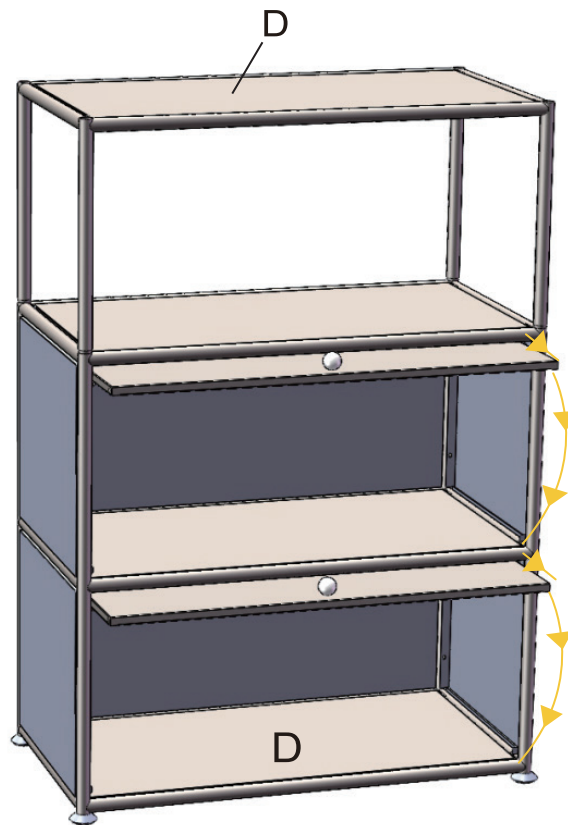


Insert both side pulleys of Part E to the slide rail from the bottom and pull it out along the rail.

7. Slightly tilt Part E and place it inside the cabinet (do not install Part K before the door panel is fully inserted into the cabinet).



8. After the door panel is installed, use Part **I** to fix Part **K**.



9. Place Part **D** separately at the top and bottom, and finally adjust the foot pads to make the entire frame balanced. The door panel is flipped downwards, the product is installed.