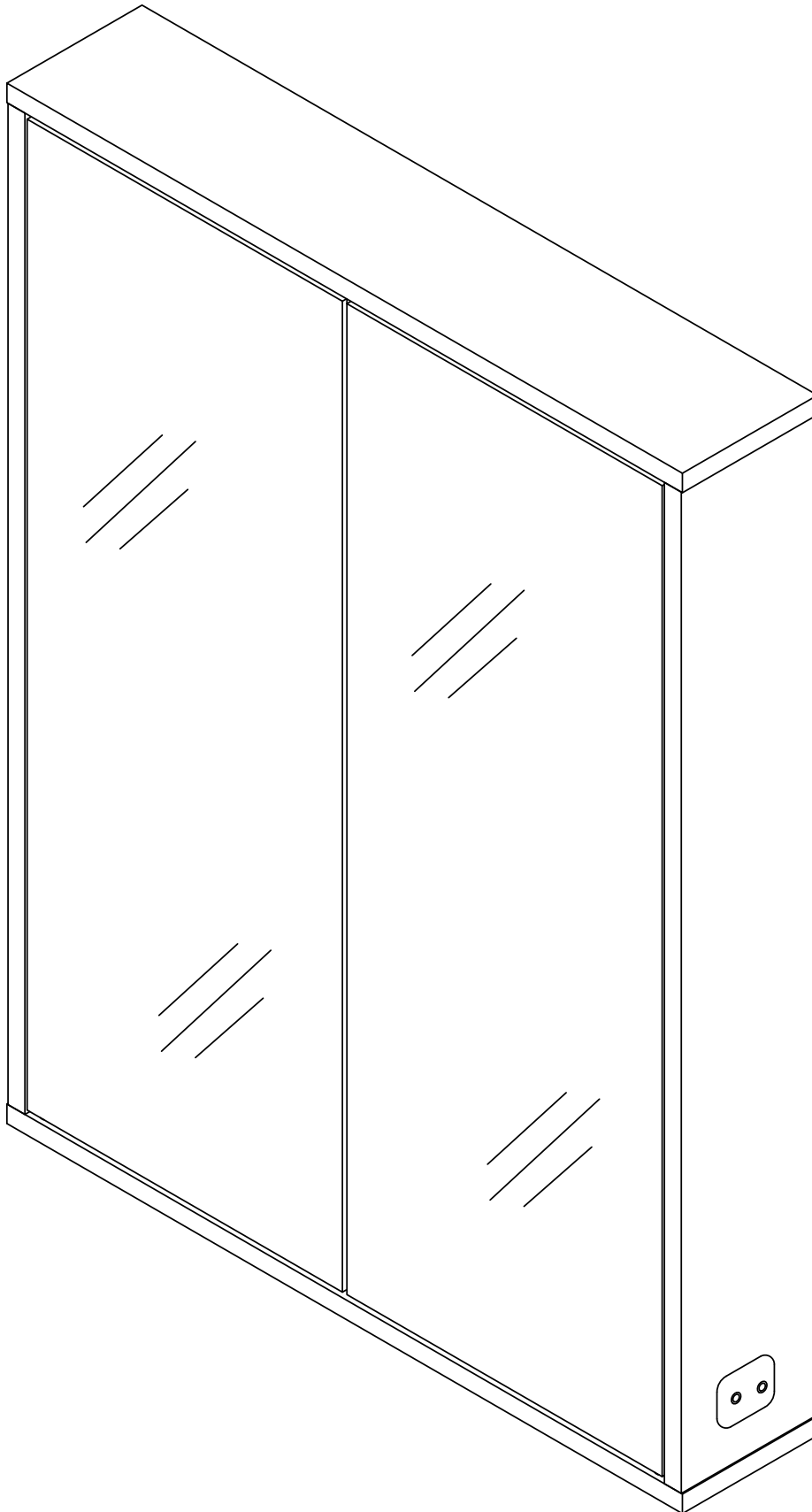
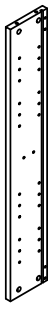


Product Installation Instructions

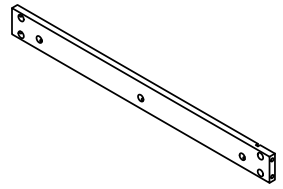




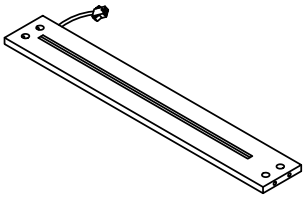
Ax1



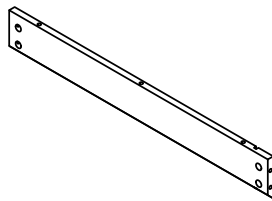
Bx1



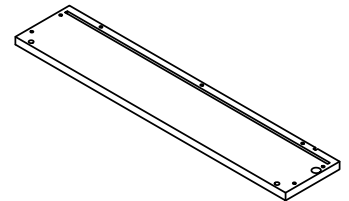
Cx1



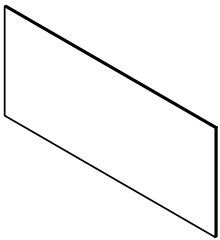
Dx1



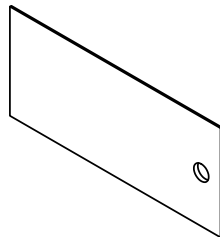
Ex1



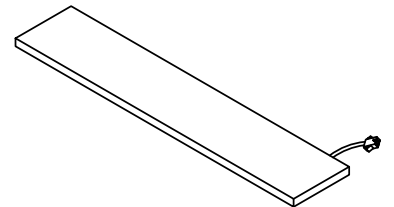
Fx1



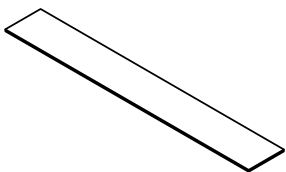
Gx2



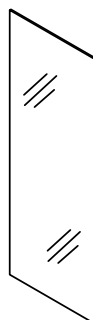
Hx1



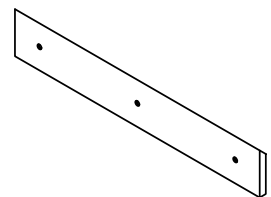
Ix1



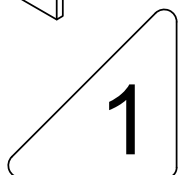
Jx4



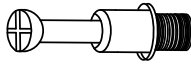

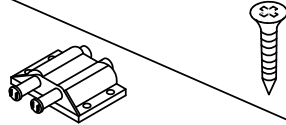
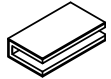
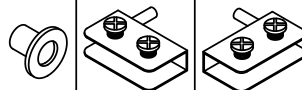


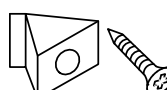
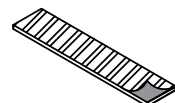


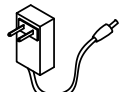
Kx2



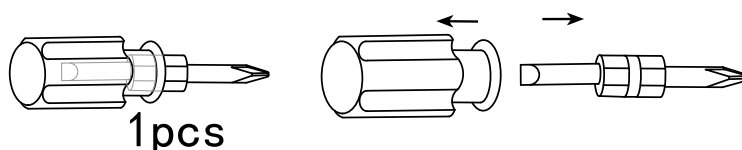
Lx1



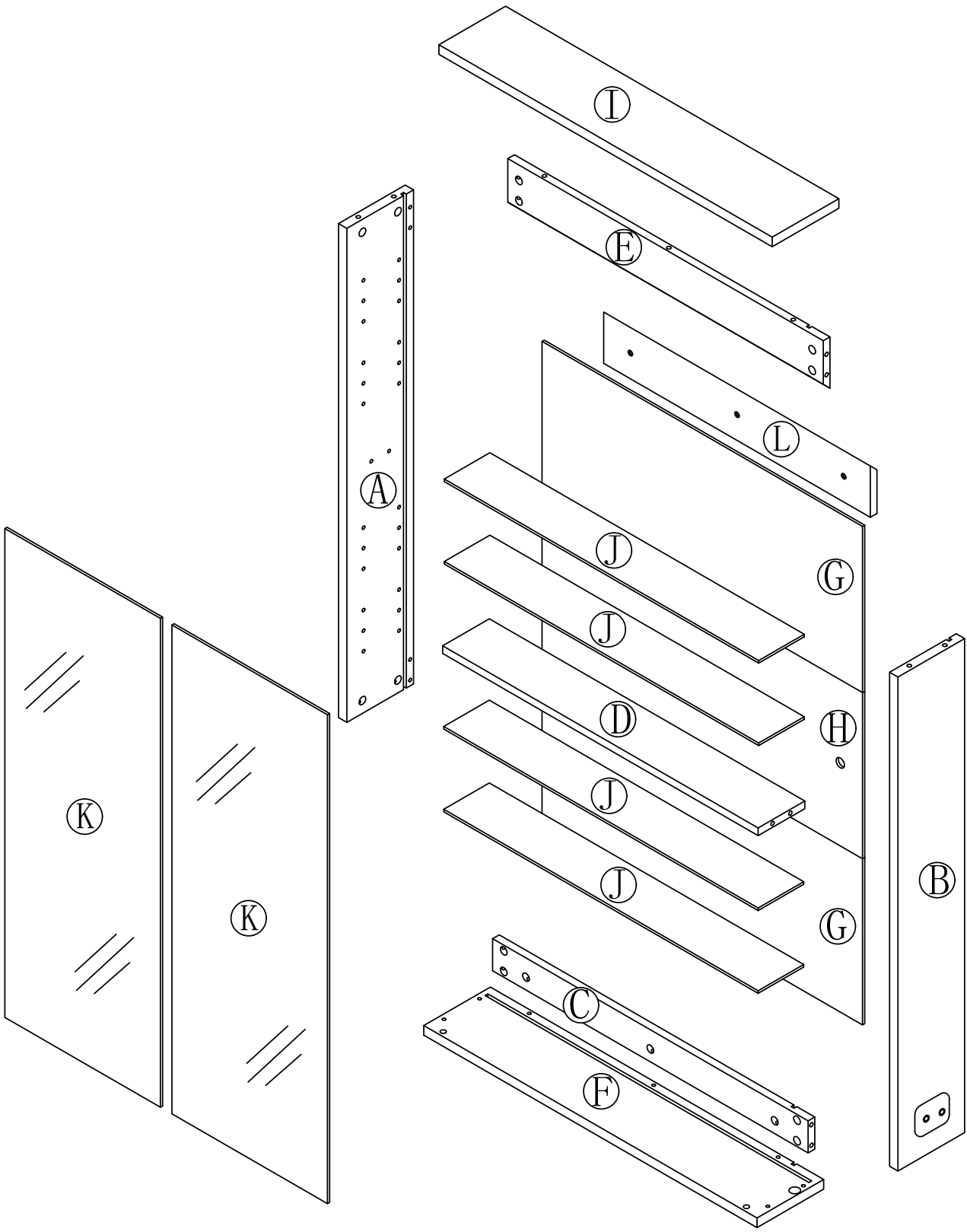
1

①		Two in one screw (6x28mm)	26pcs +4pcs
②		Two in one nut (10x12mm)	26pcs +4pcs
		Rebound device & Screw (3x16mm)	4pcs +1pcs 1pcs
③		Iron sheet	2pcs
		Hinge	4pcs 2pcs 2pcs
④		Laminate support nail	16pcs +2pcs
⑤		Wire clamp	3pcs +1pcs
⑥		Fixing clip & screw (3x16mm)	6pcs +2pcs
⑦		Sticker (50x20mm)	2pcs
⑧	<p style="text-align: center;">Wall-mounted hardware</p> 		
⑨		Backboard card strip(566mm)	2pcs
		AC/DC Adapter (12V=2.0A)	1pcs

Double-head screwdriver, use as required

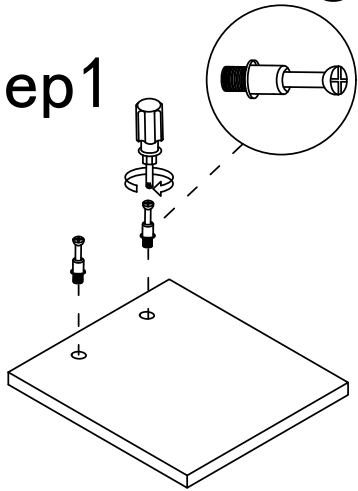


Product structure decomposition

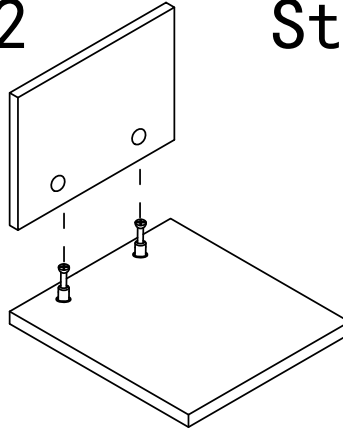


Use parts ① and ②

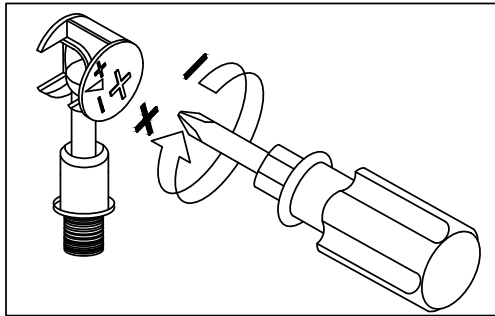
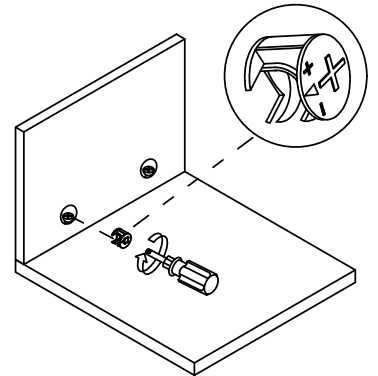
Step1



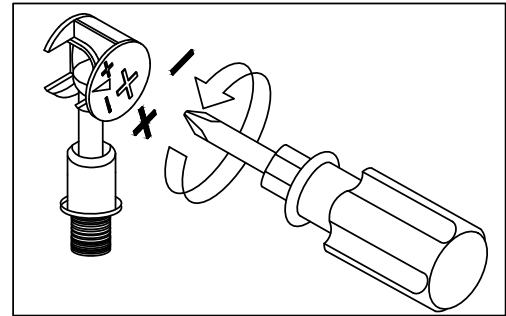
Step2



Step3

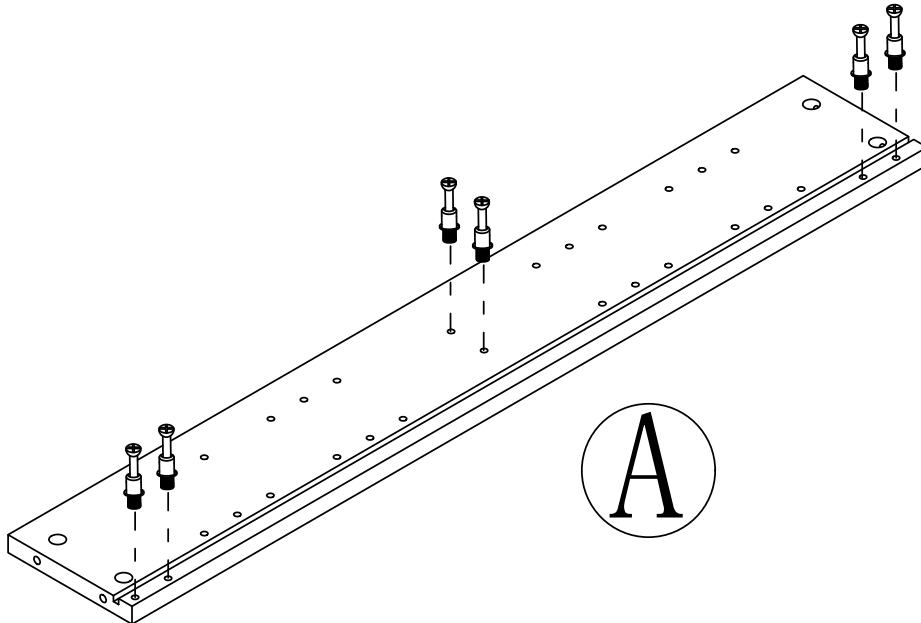
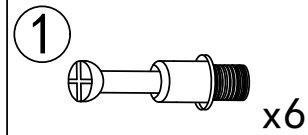


Use a screwdriver to lock in the direction of the "+" sign



Disassemble along the direction of "-" sign

Step 1



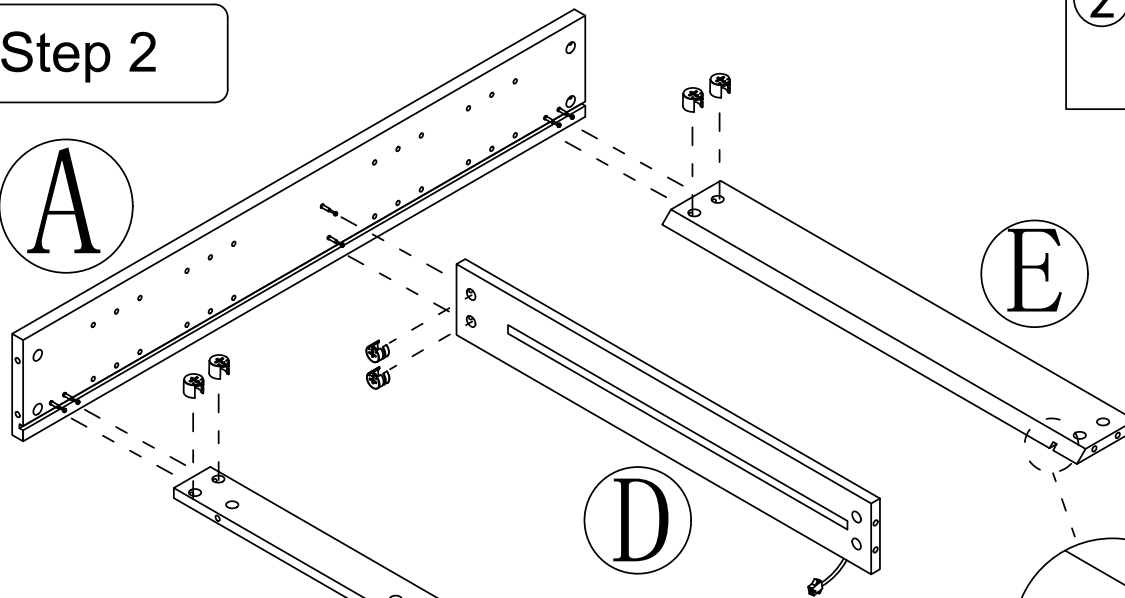
Step 2

2

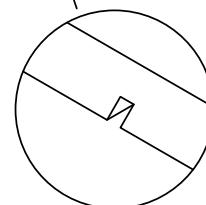


x6

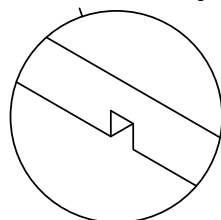
A



E



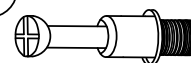
C



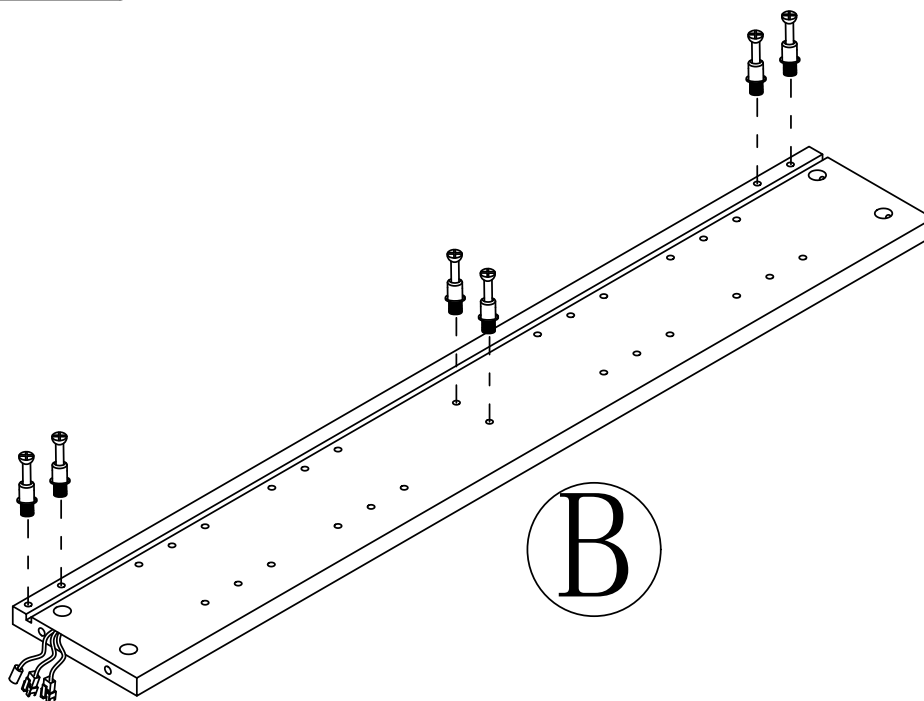
Pay attention to the position of the notch

Step 3

1

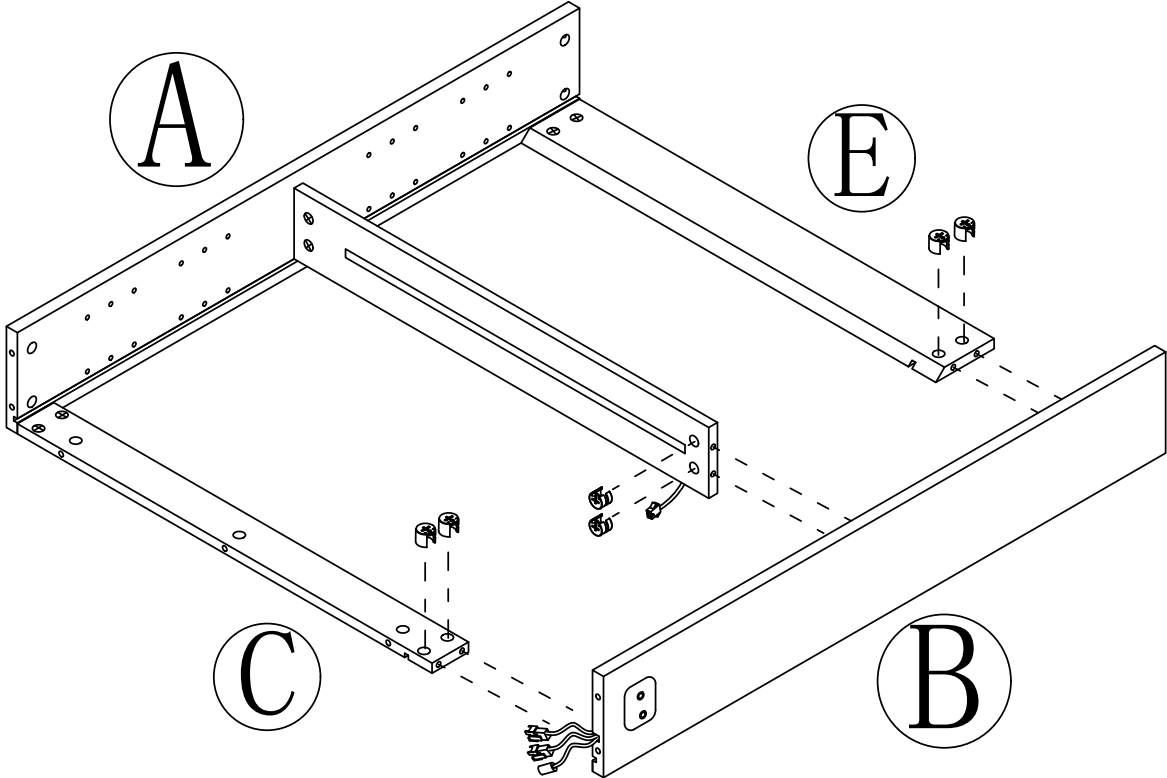


x6

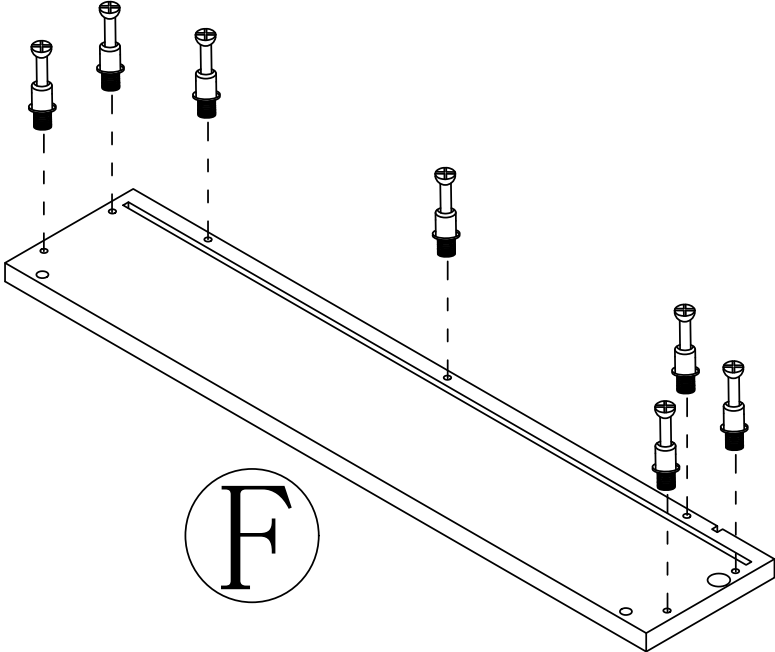
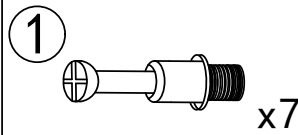


B

Step 4

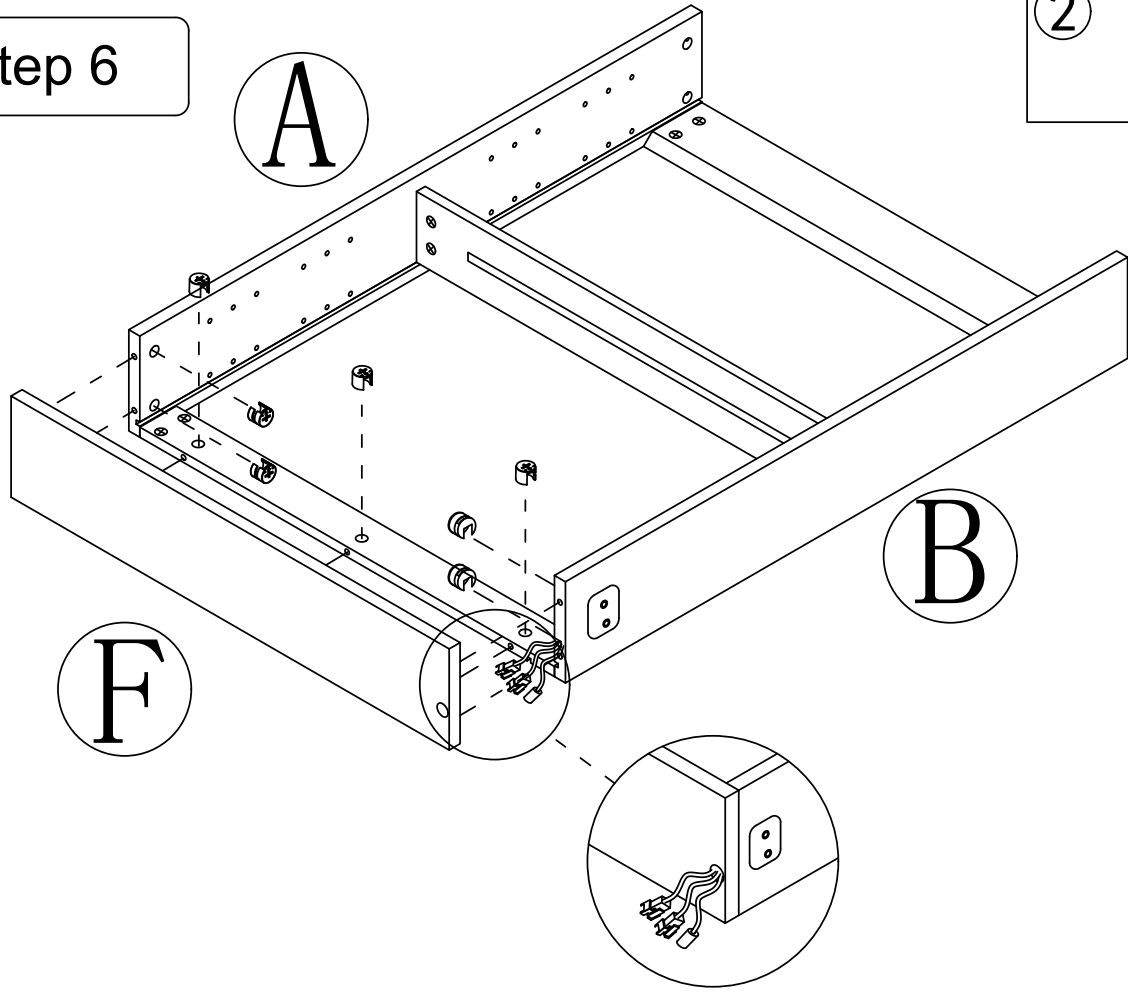


Step 5



Step 6

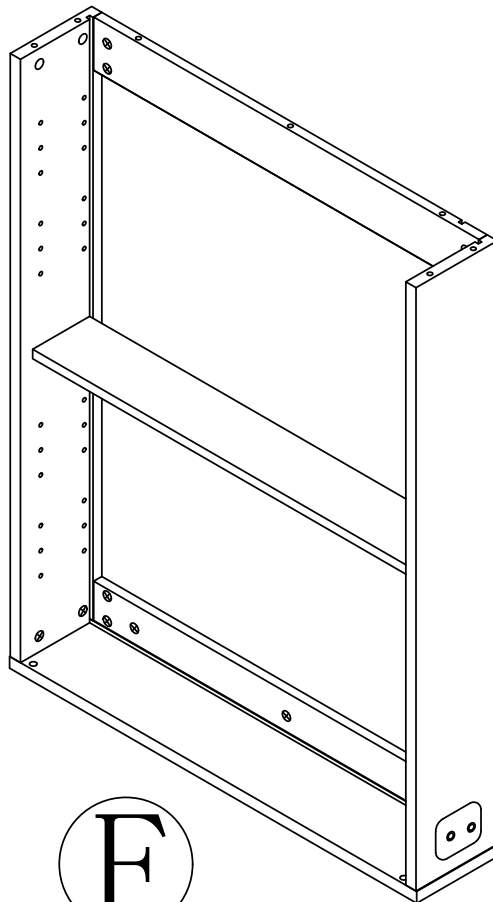
2  x7



Pass the wires of board B out of board F

Step 7

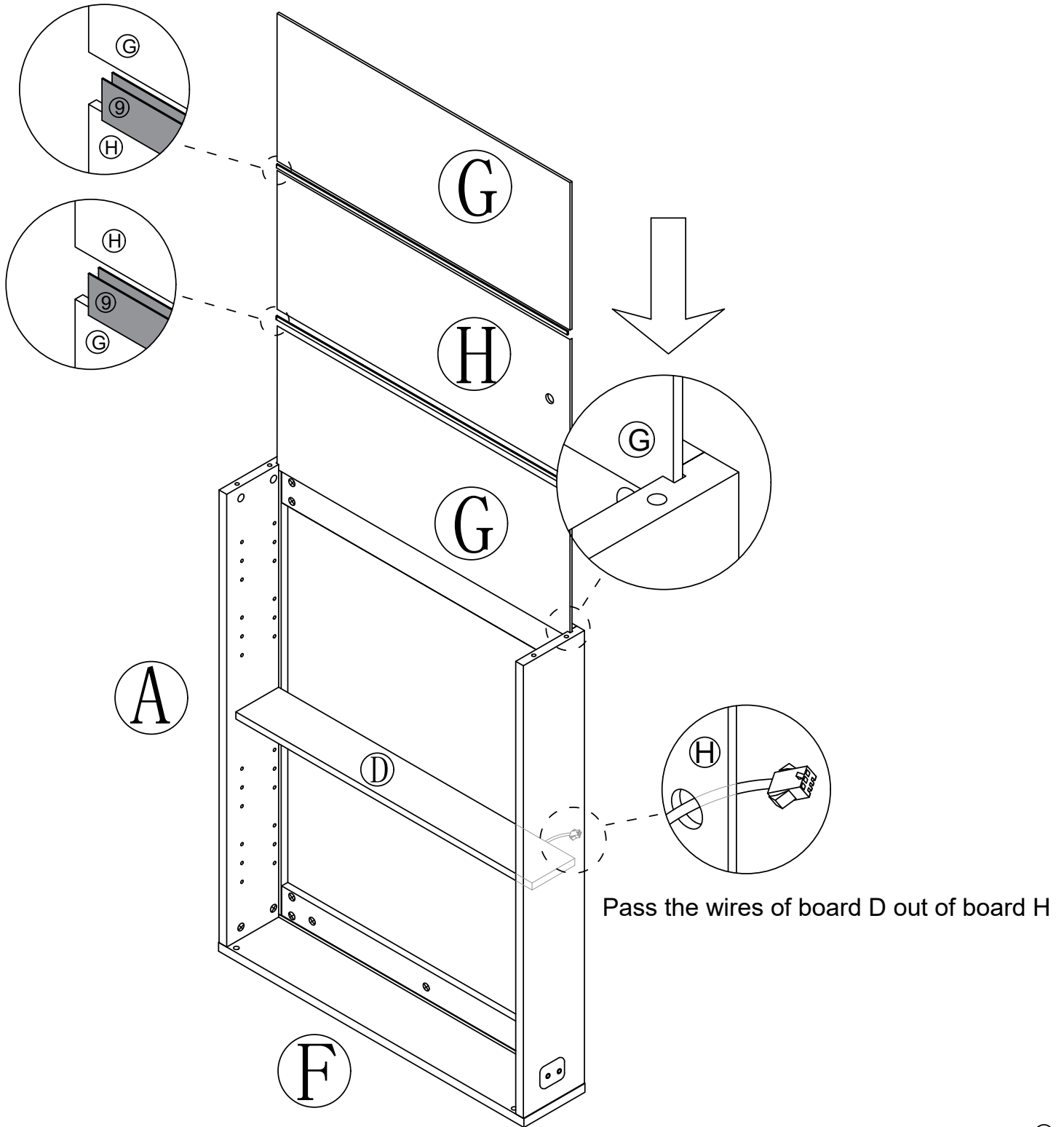
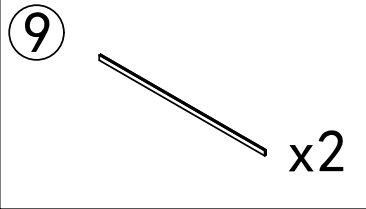
A



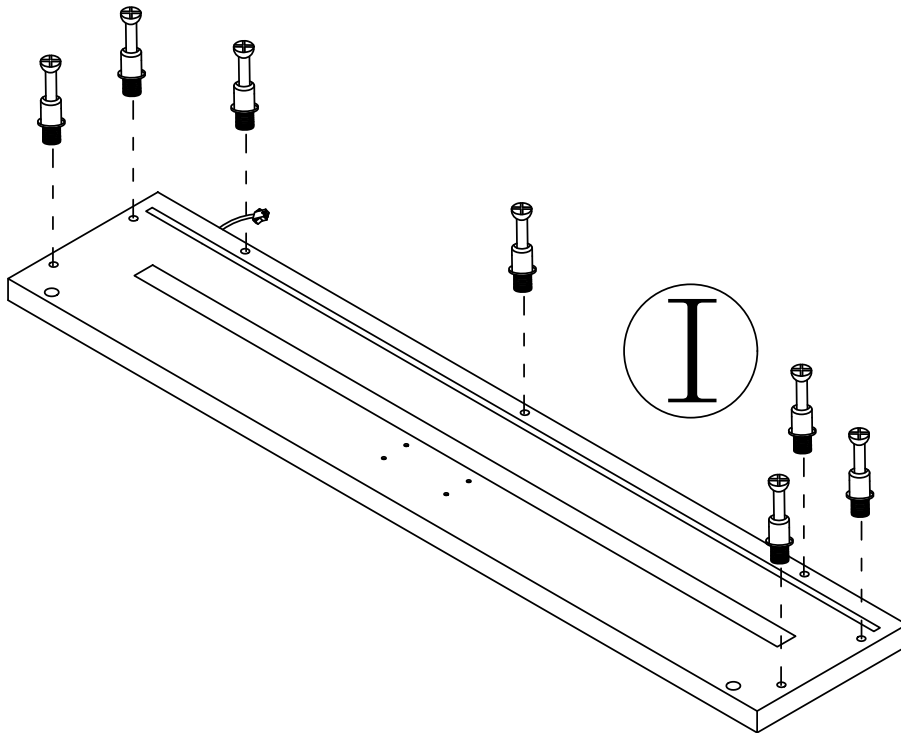
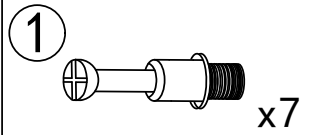
Turn Over

F

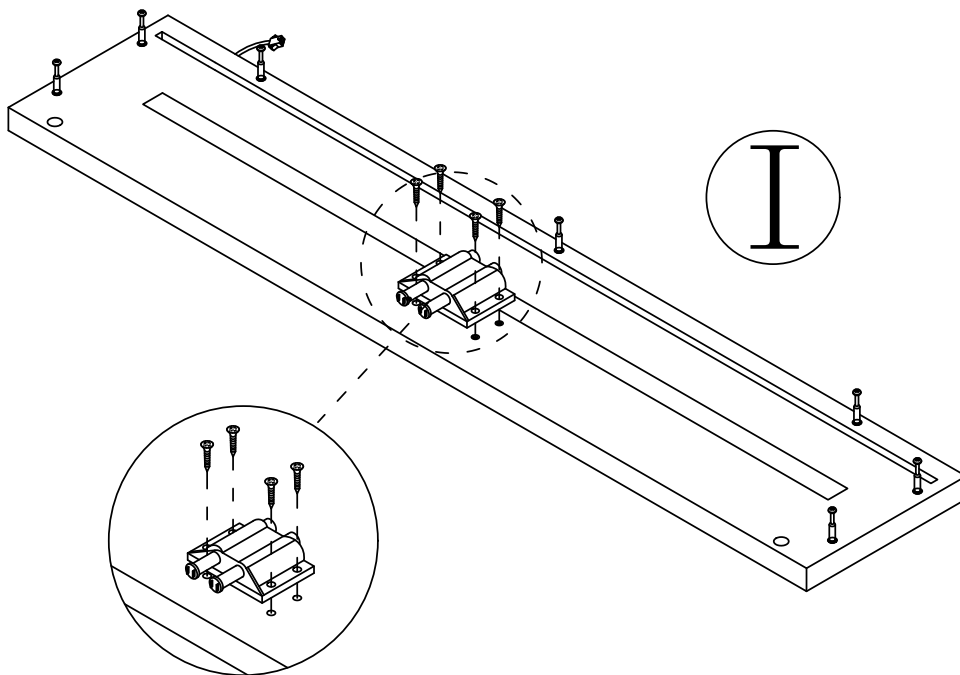
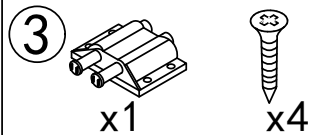
Step 8



Step 9



Step 10

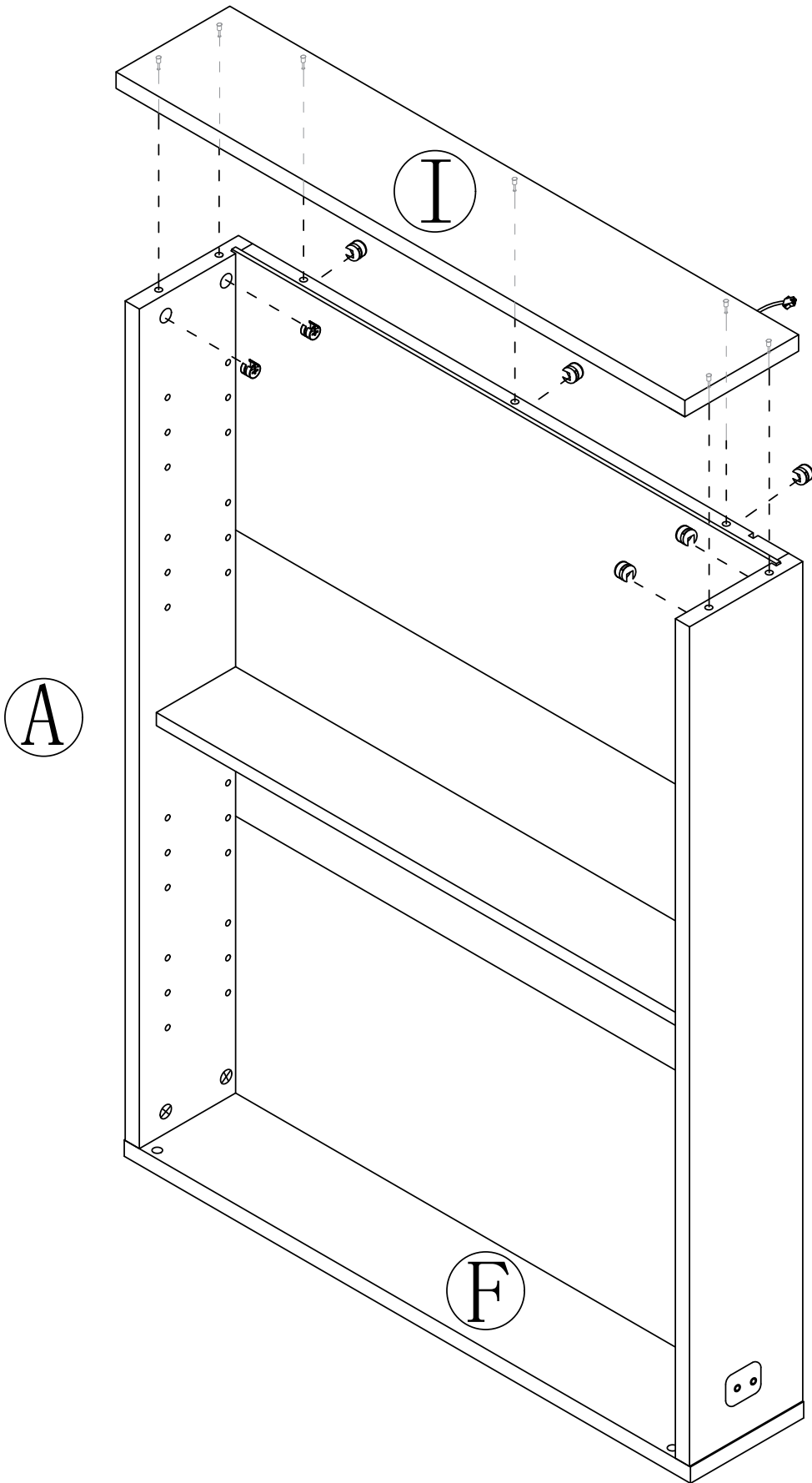


Step 11

2

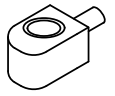


x7

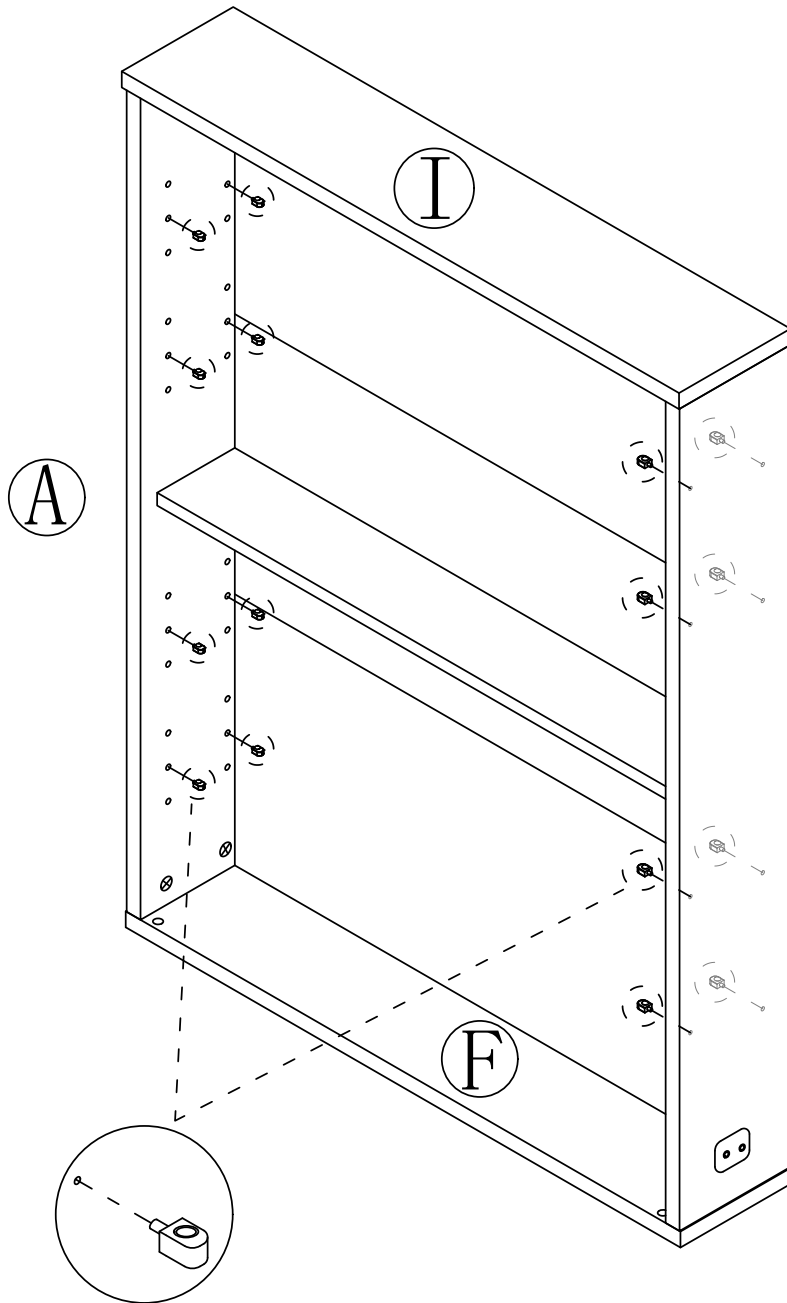


Step 12

4

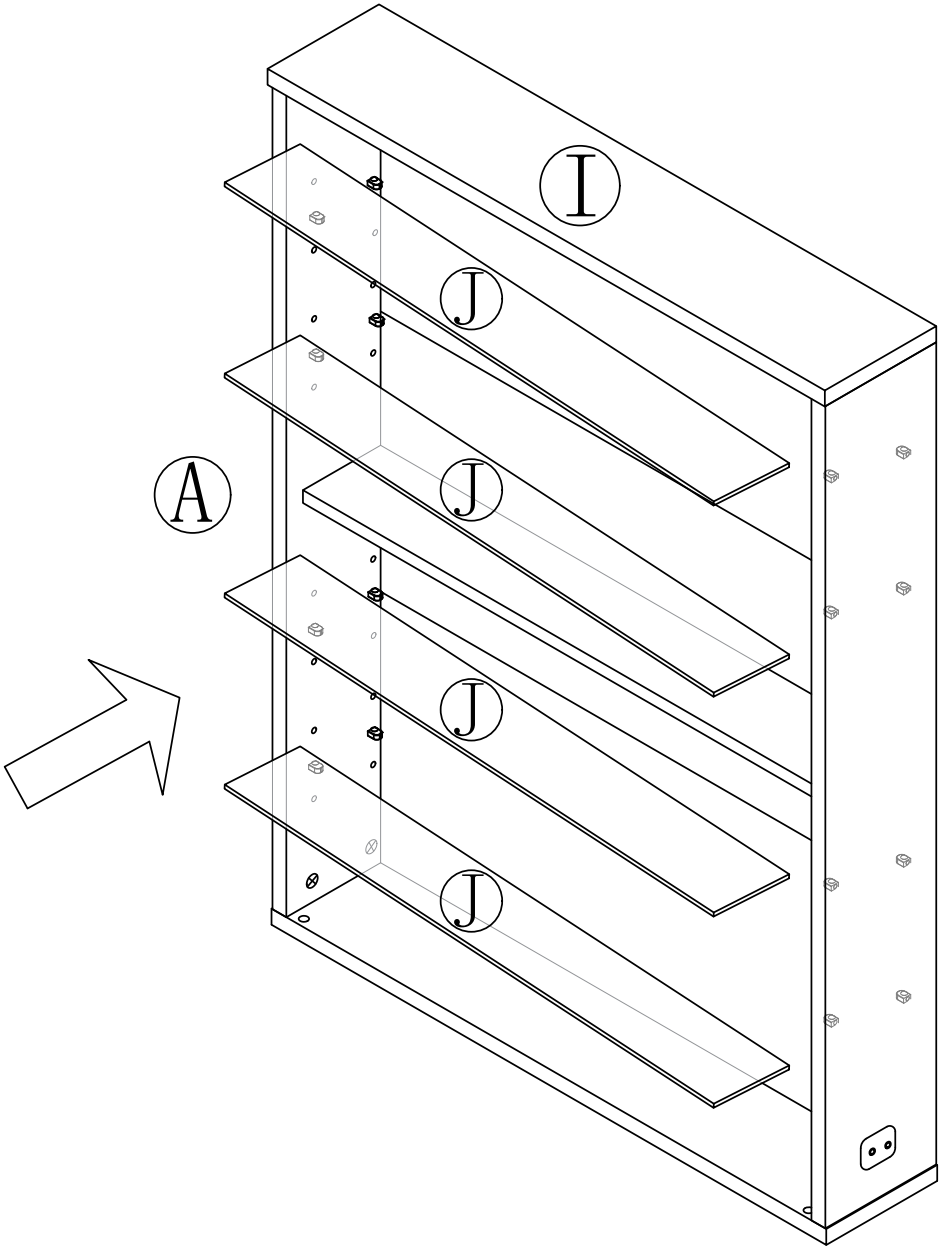


x16


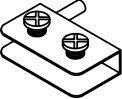
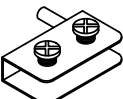


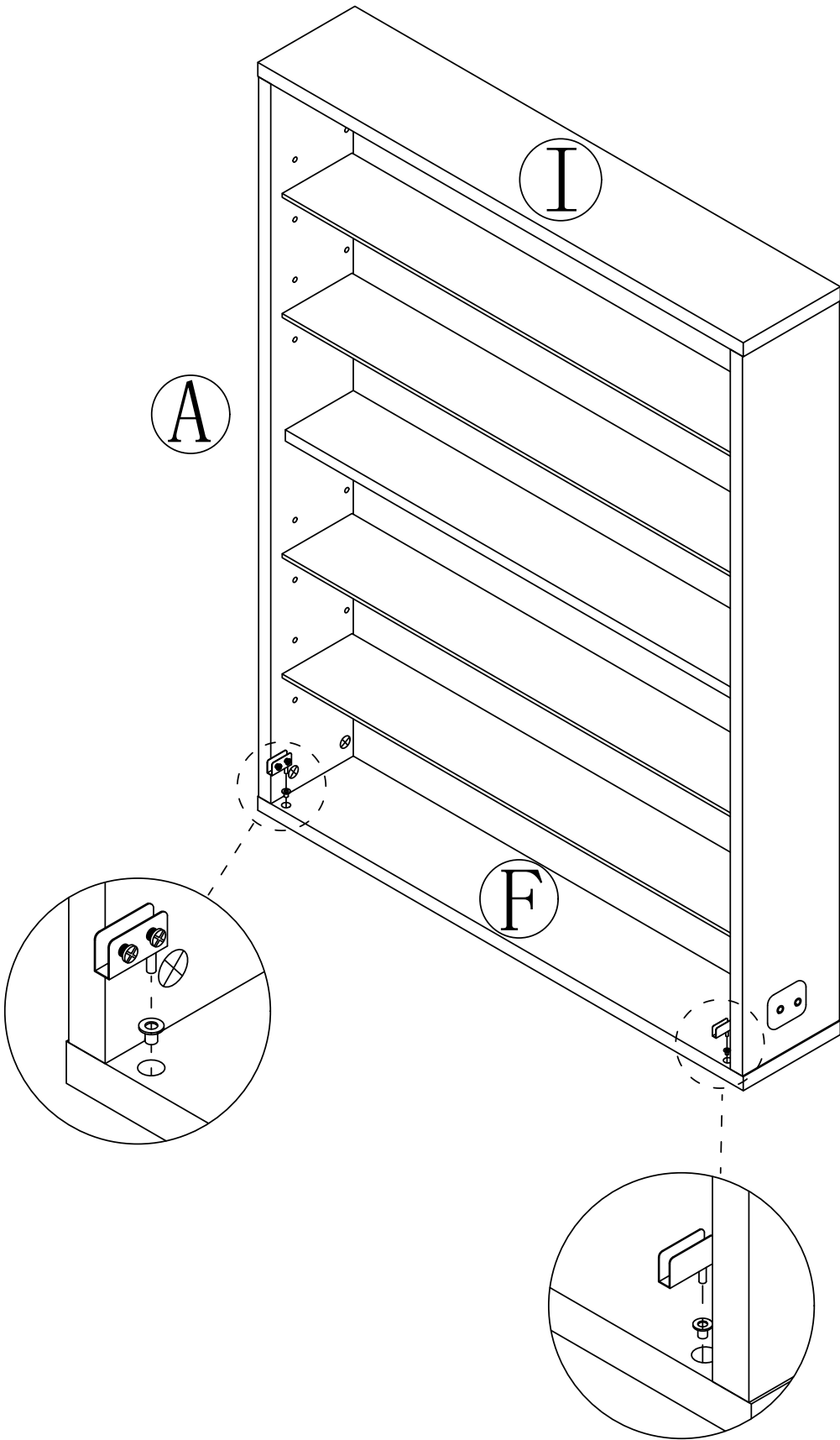
It can be adjusted up and down.

Step 13



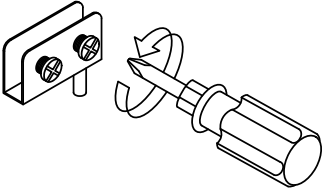
Step 14

- 3  x2
-  x1
-  x1

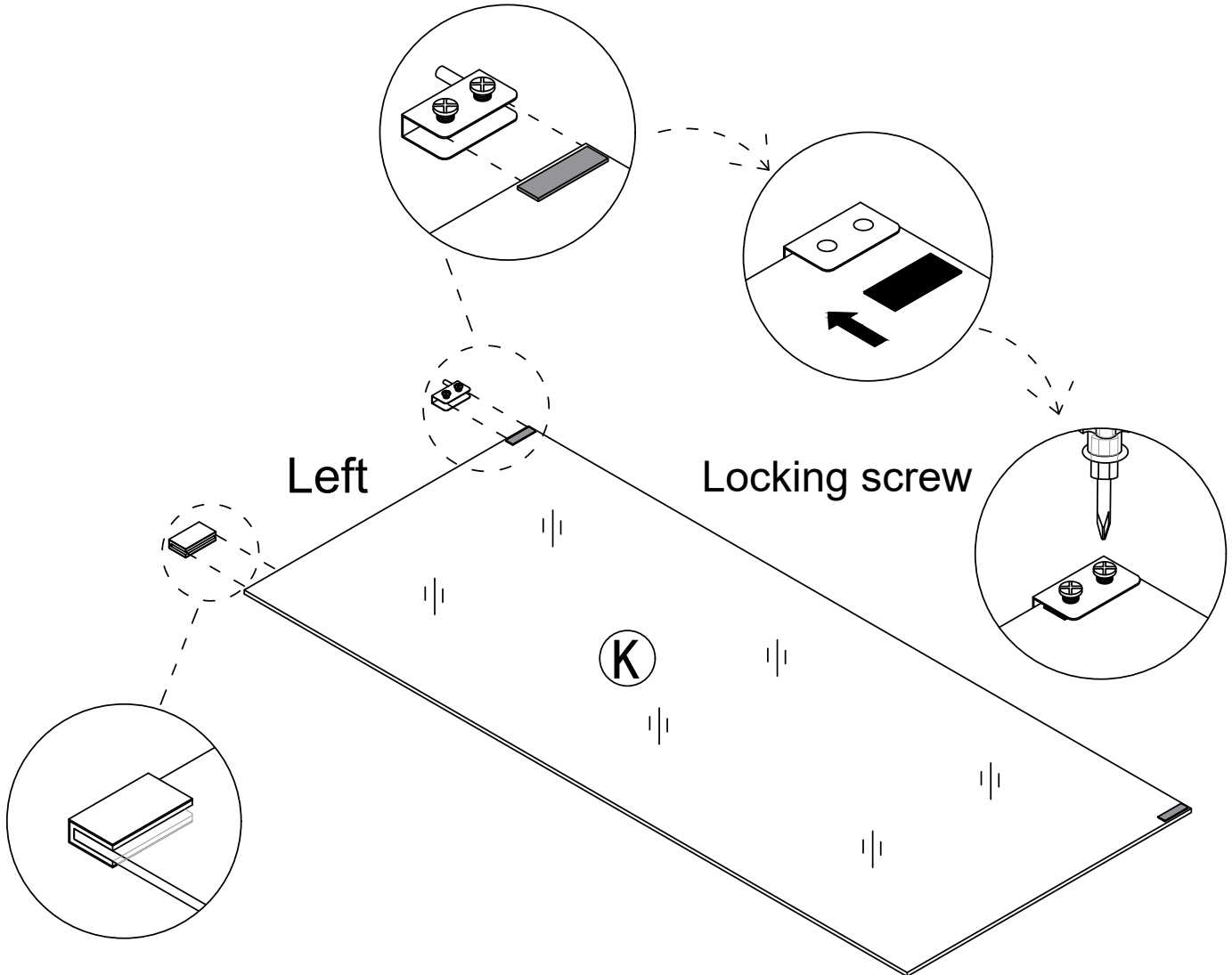
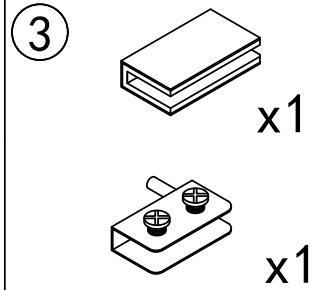
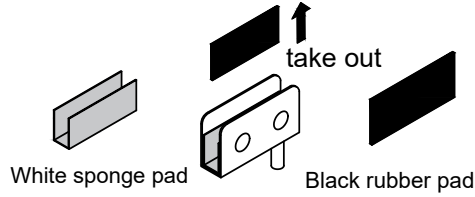


Step 15

First, completely unscrew the screws on the parts



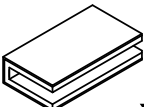
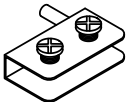
Then take out the black rubber pad from the inside of the part, and the white sponge remains unchanged inside the part.

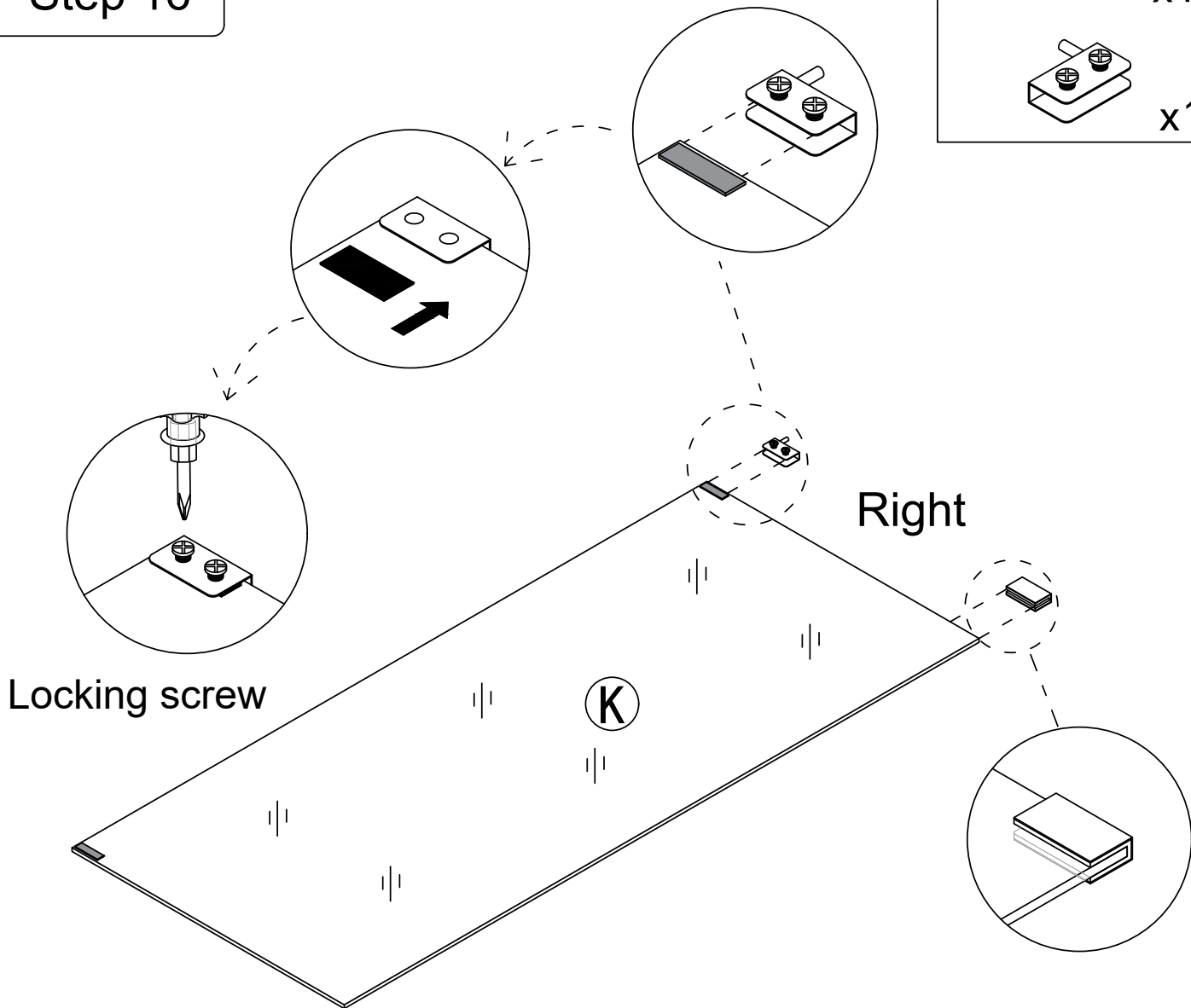


Pay attention to the direction of the door hinge, rotate the screws to compress the black gasket, and do not place it in the opposite direction

Place the black gasket on the side where the screws are installed

Step 16

- 3  x1
-  x1



Pay attention to the direction of the door hinge, rotate the screws to compress the black gasket, and do not place it in the opposite direction

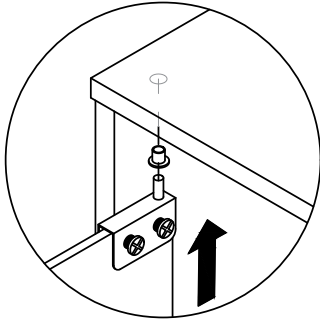
Place the black gasket on the side where the screws are installed

Step 17

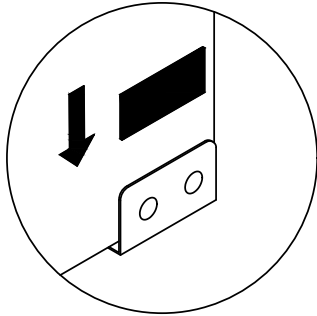
Pay attention to the direction of the door hinge during installation

③  x2

When installing a glass door, it is recommended to have two people install it to avoid the glass door colliding or hitting oneself.

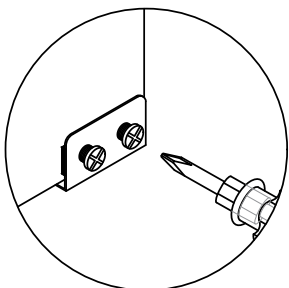


first



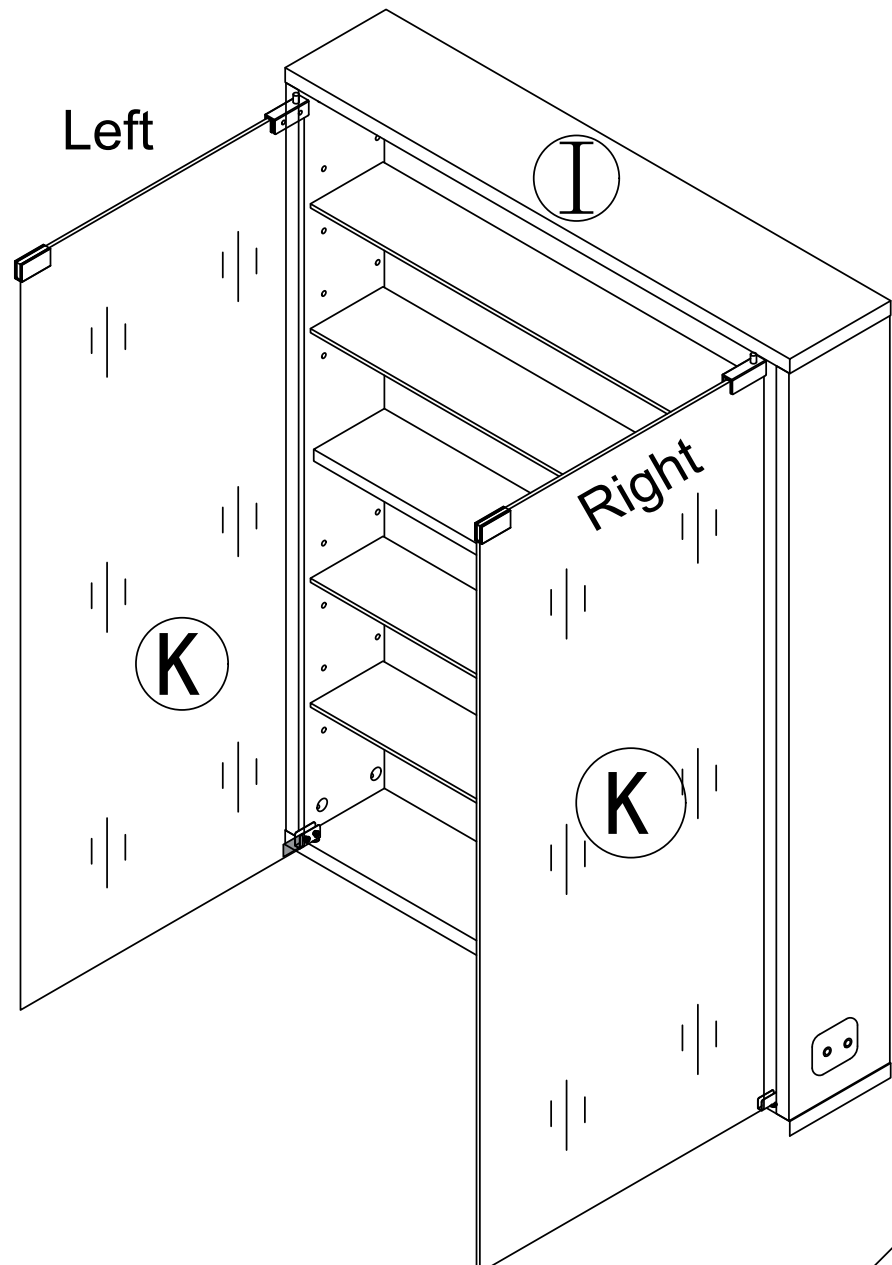
second

After installing the glass door, place the black gasket on the side where the screws are installed

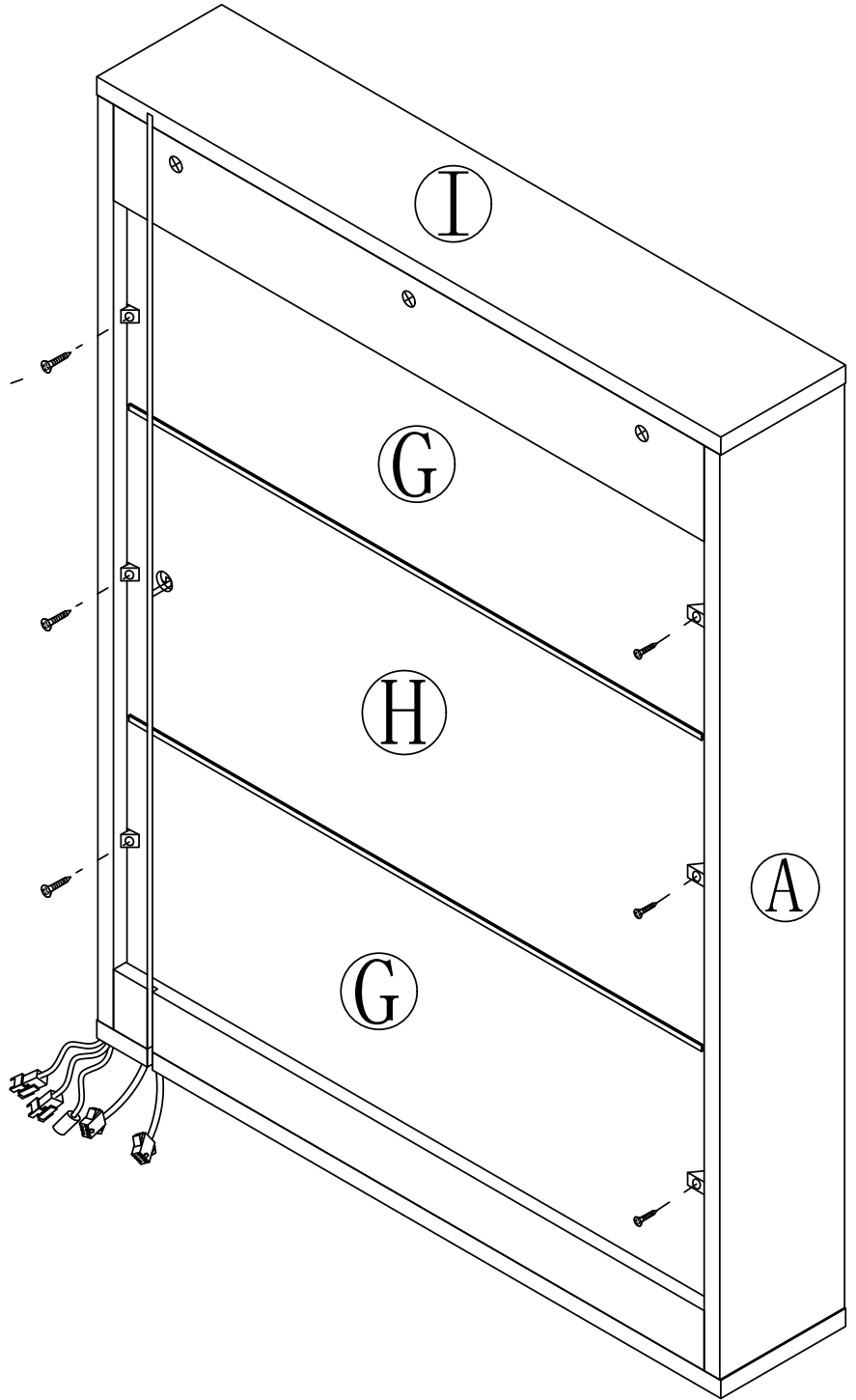
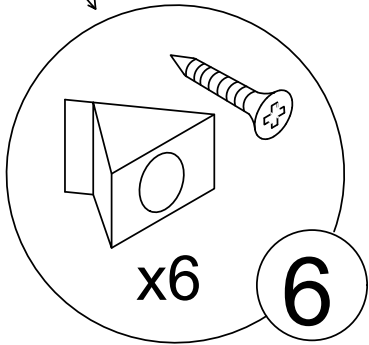
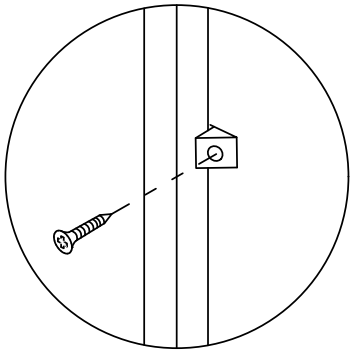
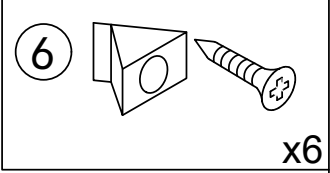


third

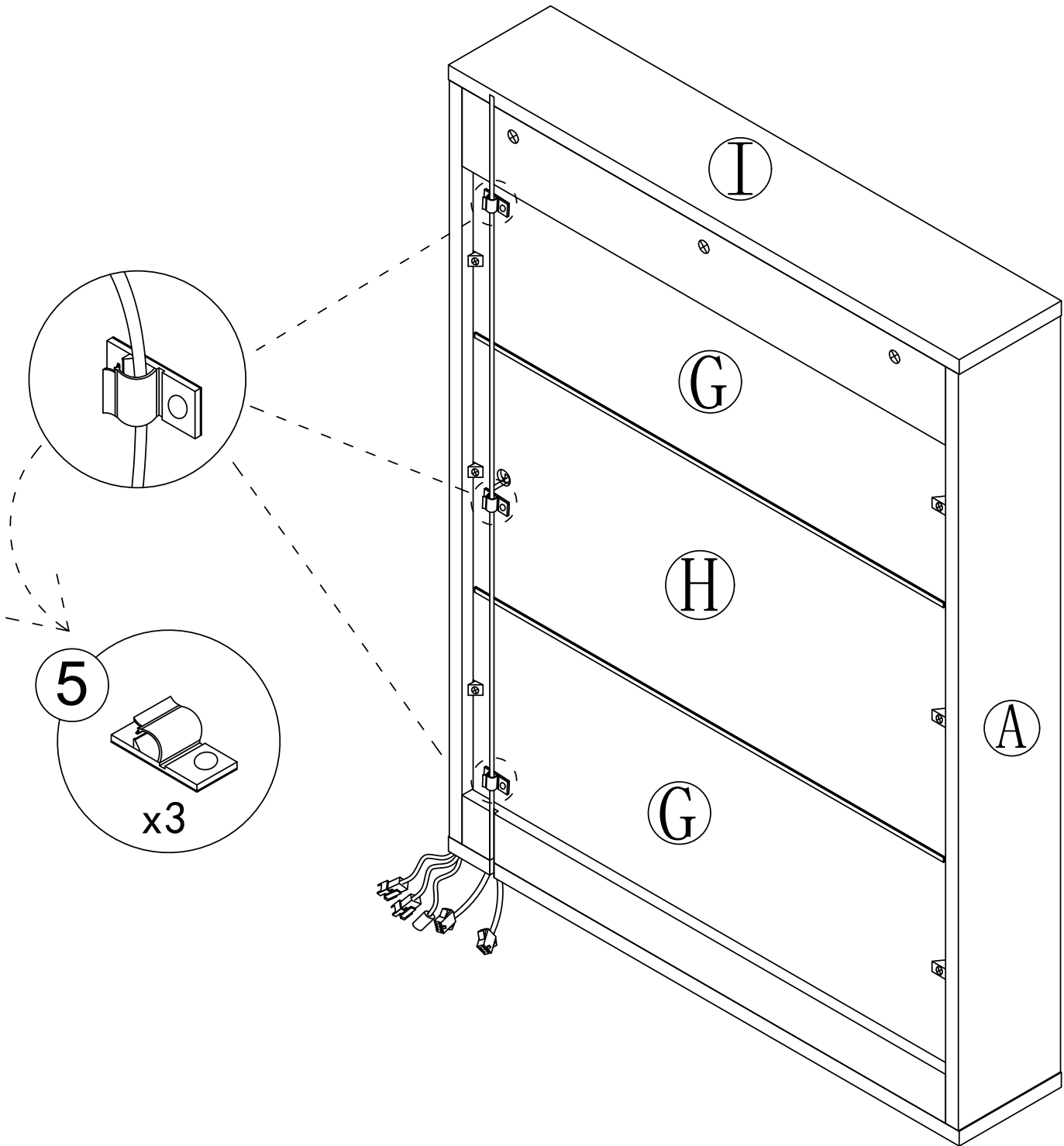
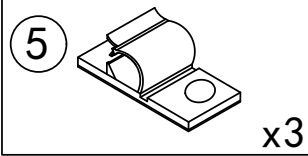
Locking screw



Step 18

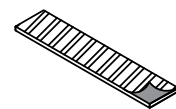


Step 19



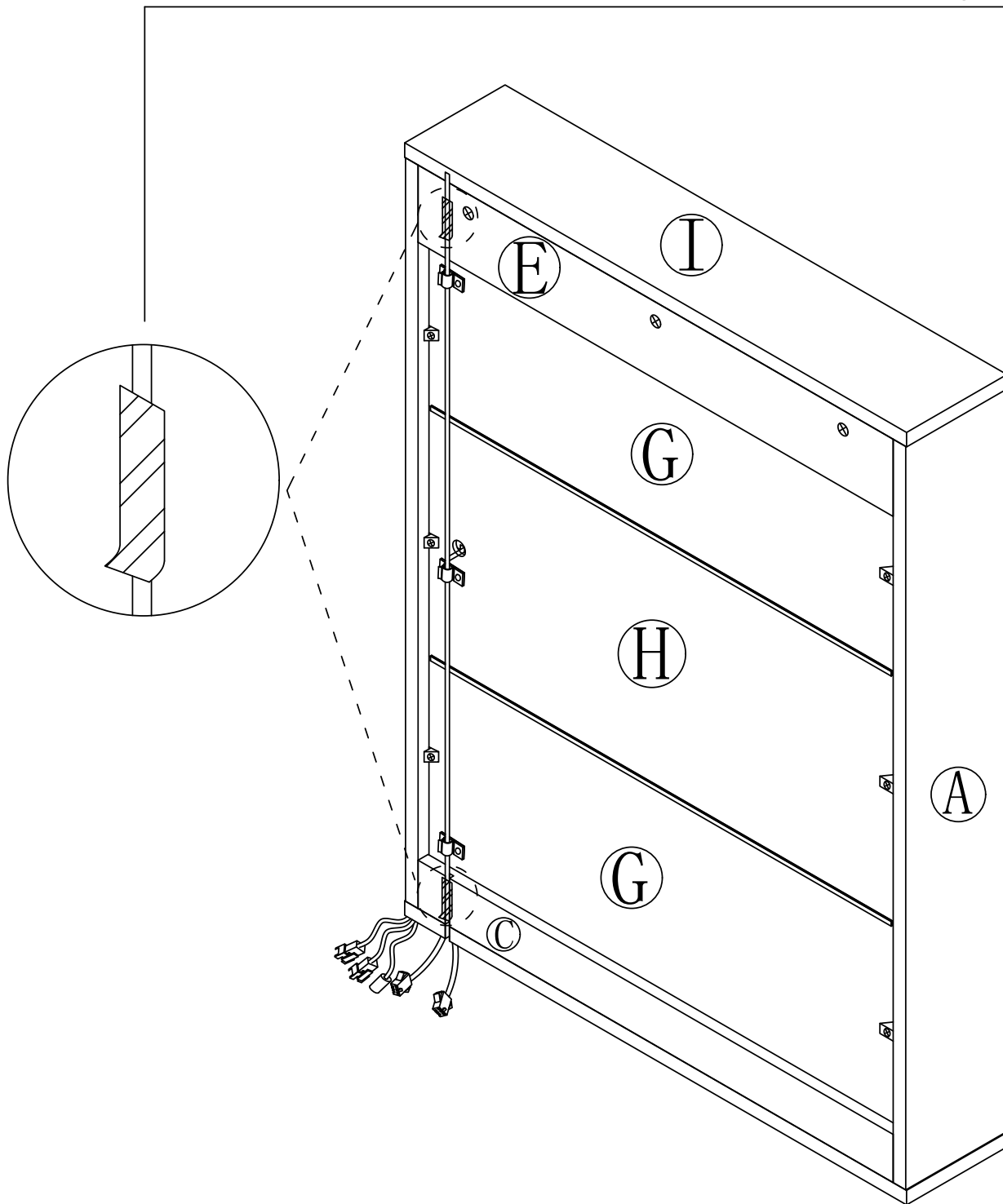
Step 20

7

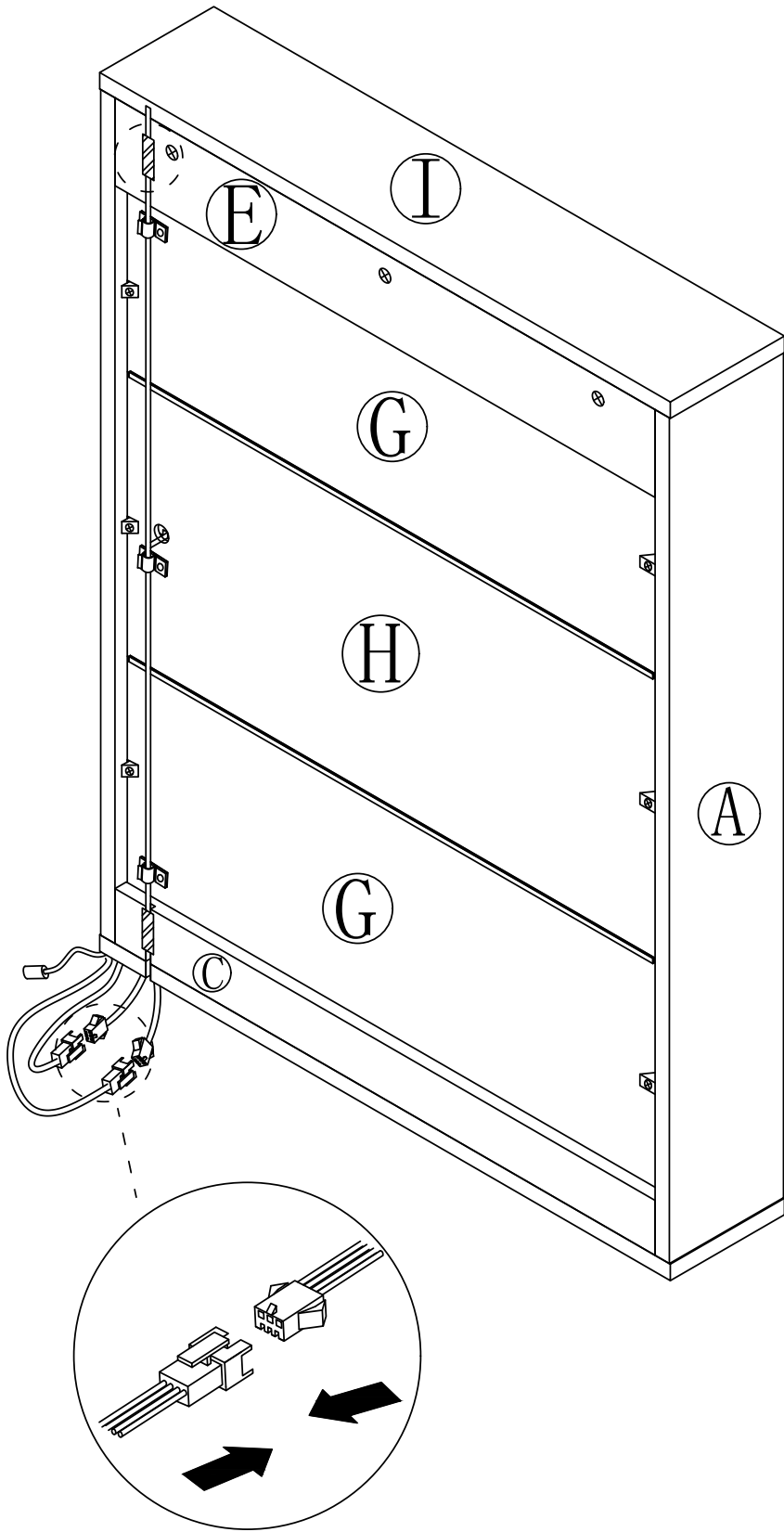


x2

Tear off the release paper and stick the sticker on the C-plate and C-plate lamp slot to avoid the lamp wire from falling off.

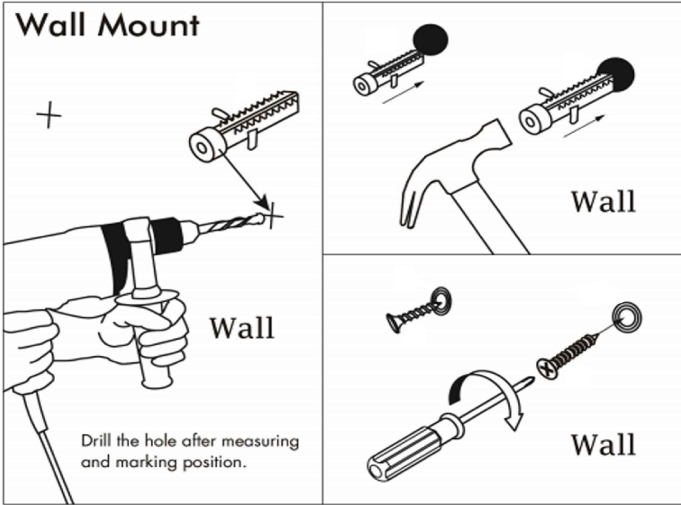
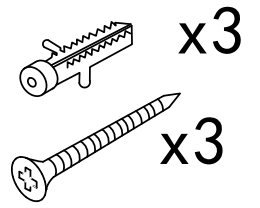


Step 21

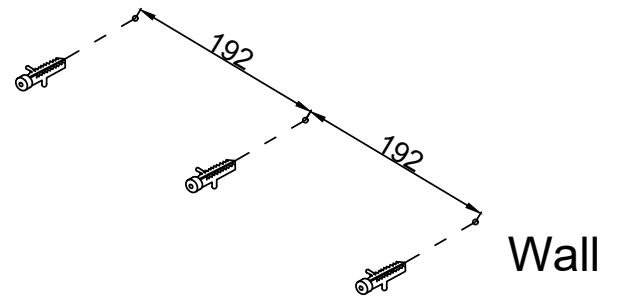


Step 22

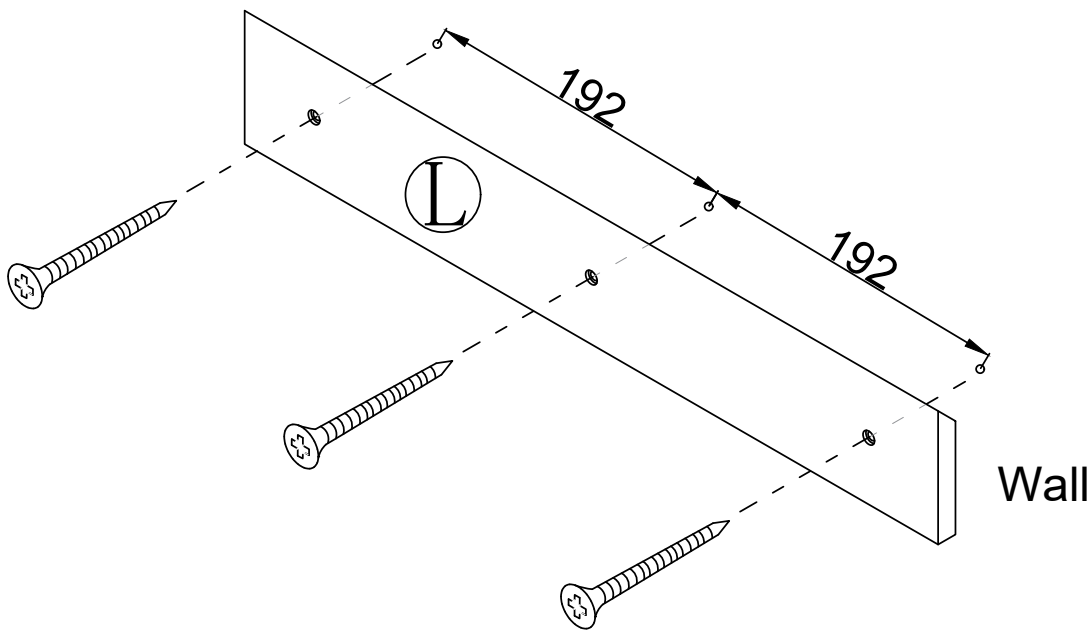
8



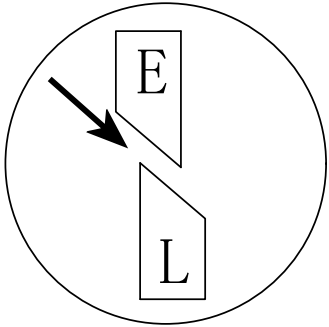
1. Choose the height that suits you
Drill the hole with an electric drill
and punch in the colloidal particles



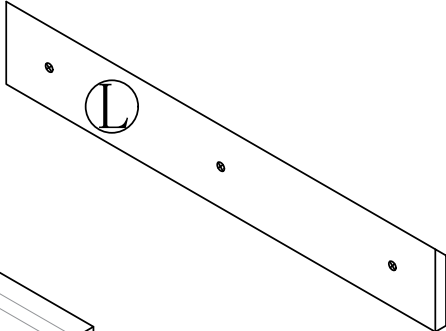
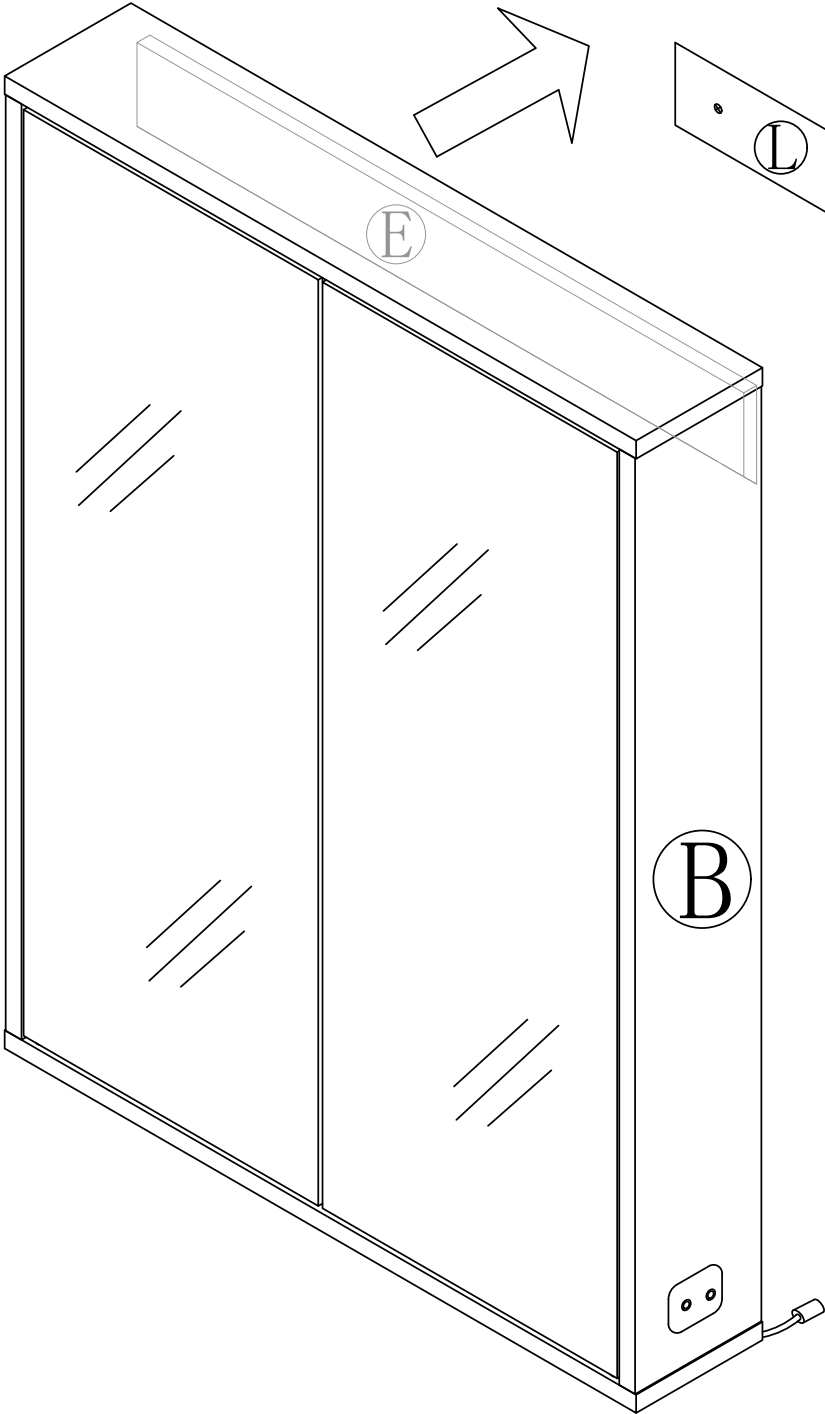
2. Fix the L board to the wall



Step 23



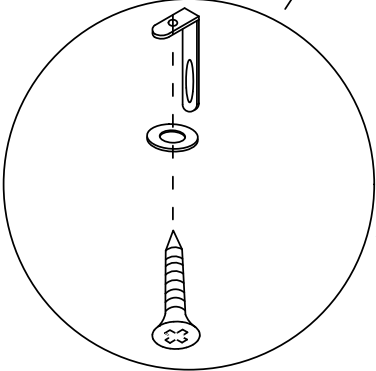
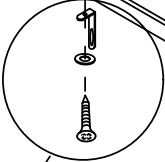
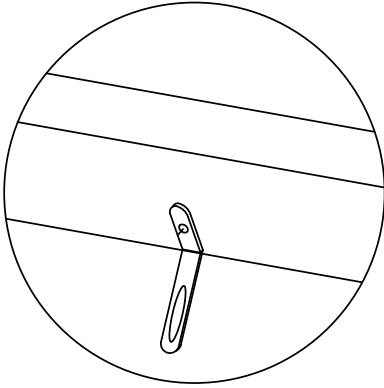
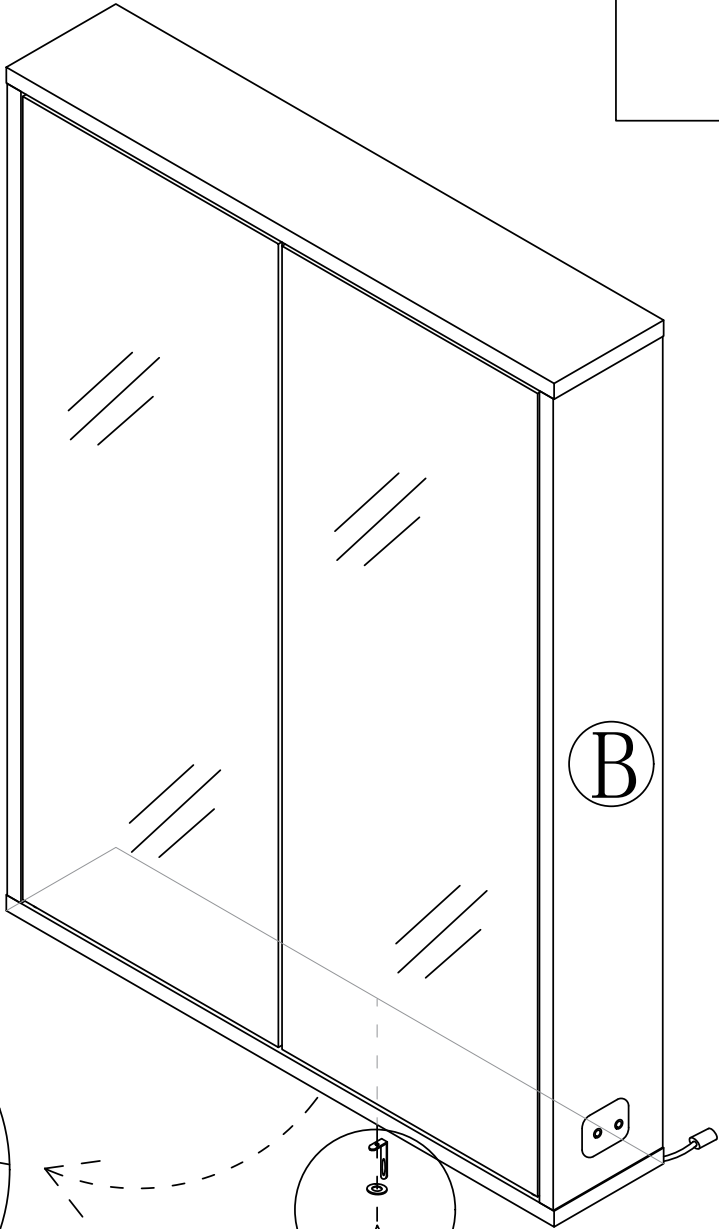
Insert it into the cut



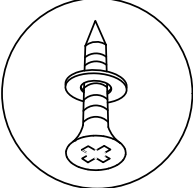
Wall

Step 24

- 8
- x1
- x1
- x1



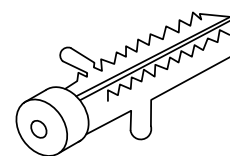
3.5x14mm



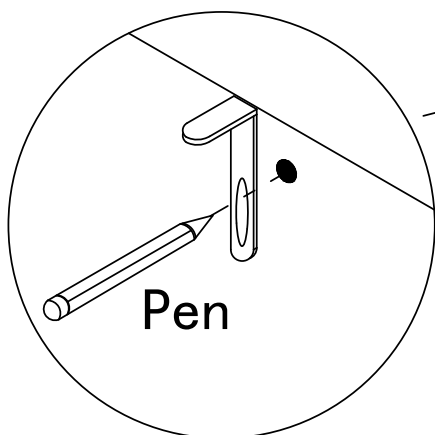
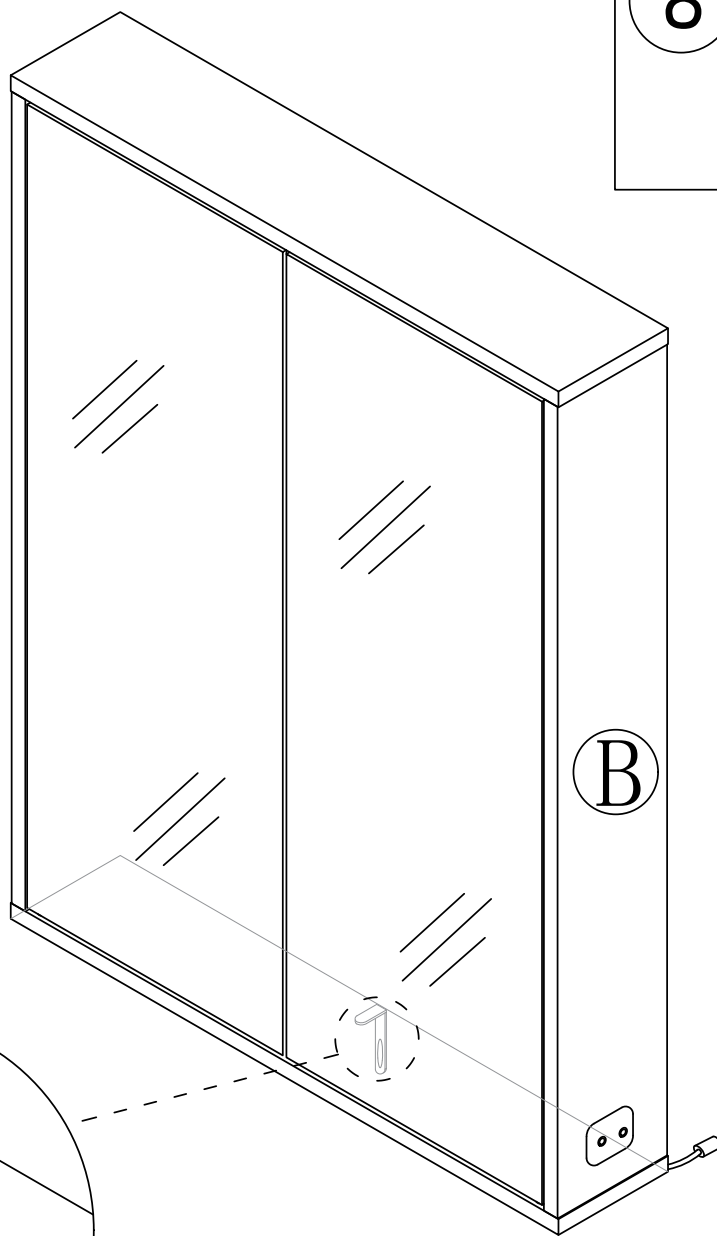
Install the anti fall hardware on the cabinet as shown in the picture first

Step 25

8

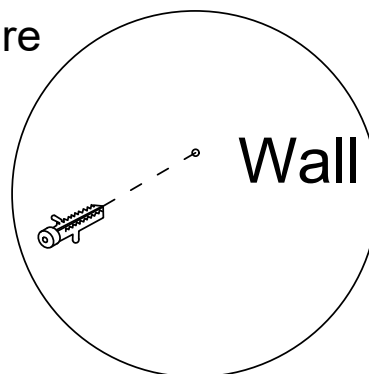


x1



Pen

1. Then mark the wall with a pen through the holes in the anti-fall hardware

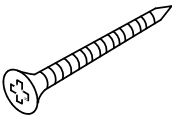


Wall

2. Remove the cabinet body
drill holes at the marked positions
punch in the colloidal particles

Step 26

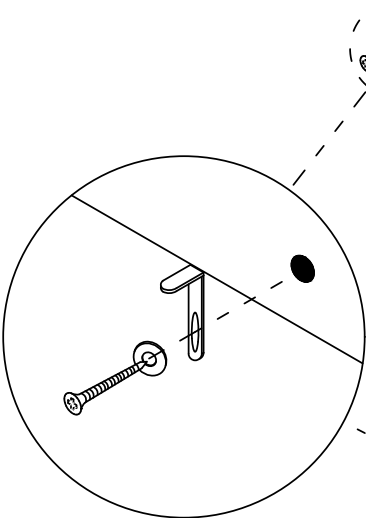
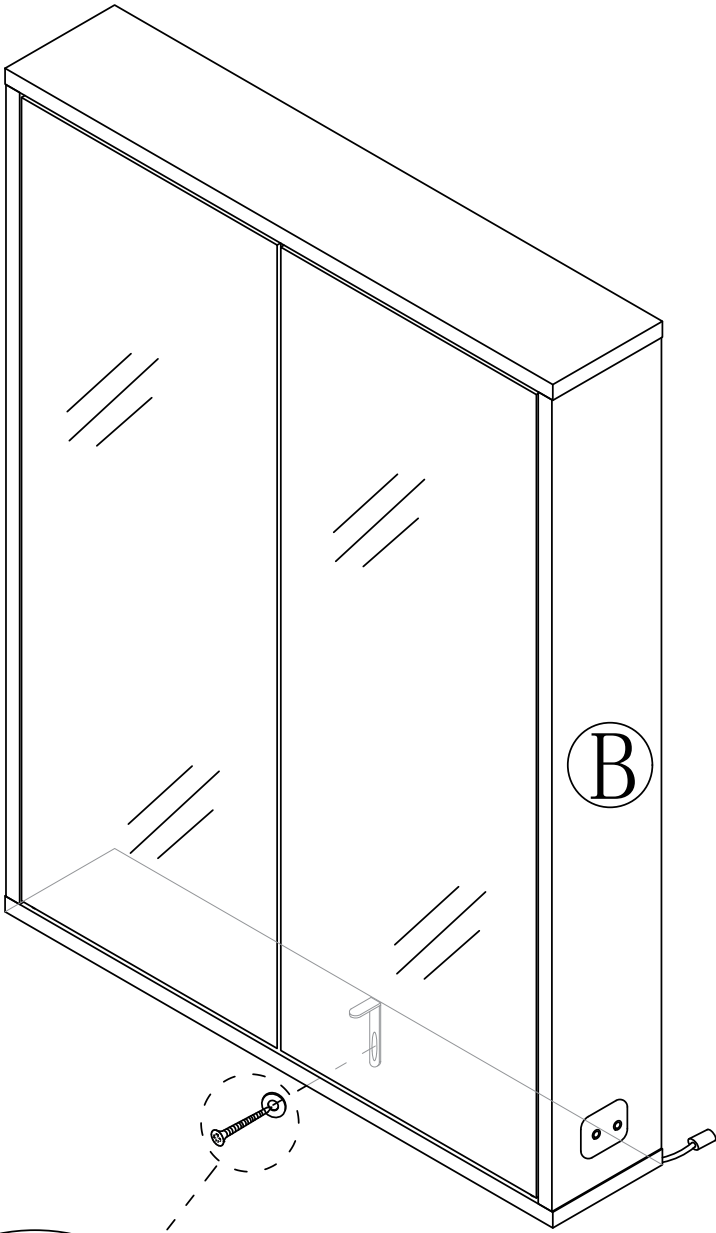
8



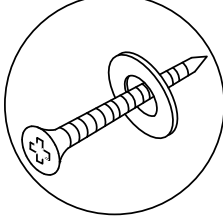
x1



x1

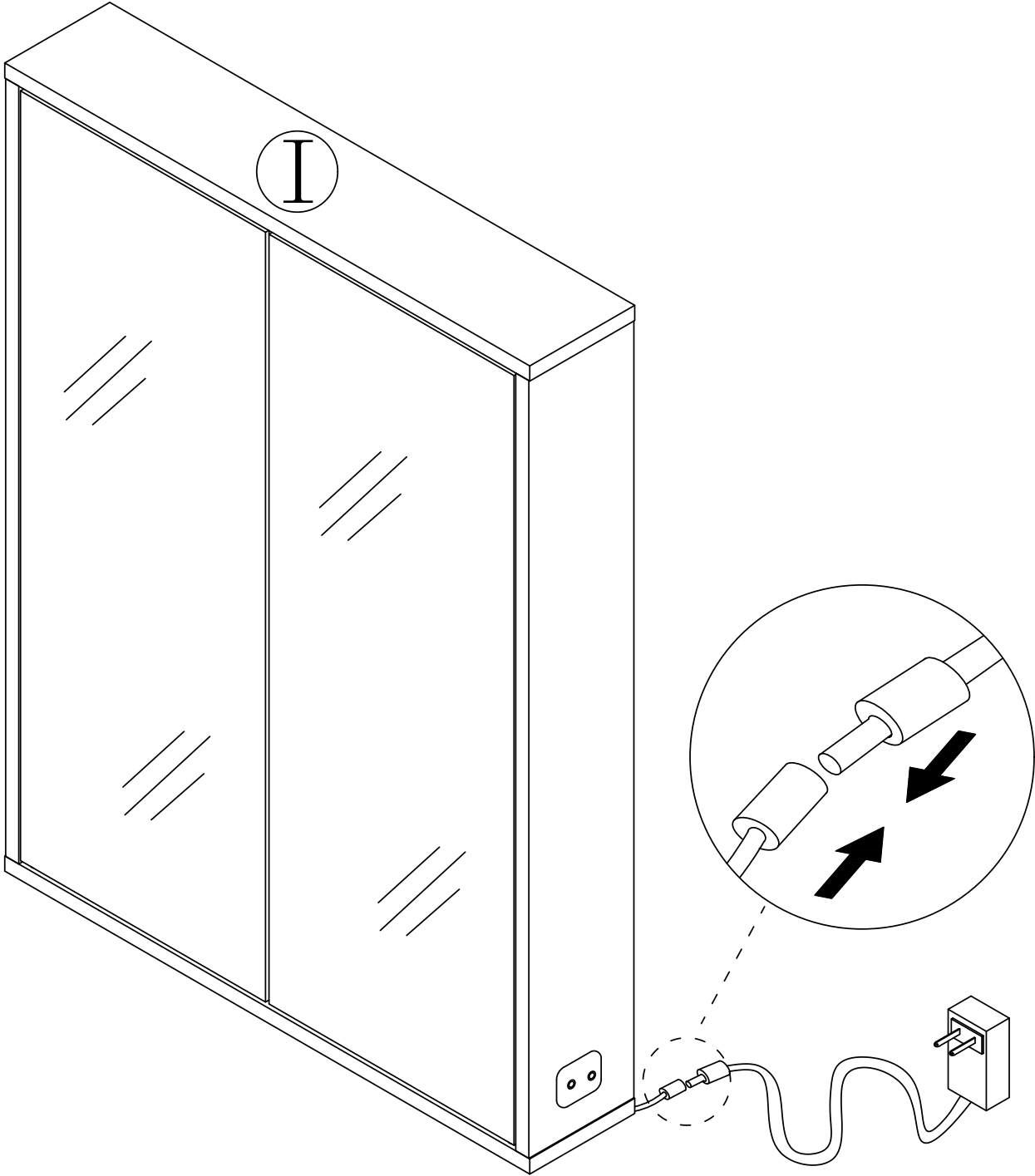
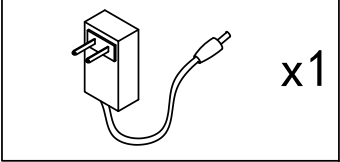


4x45mm



Fasten the cabinet to the wall

Step 27



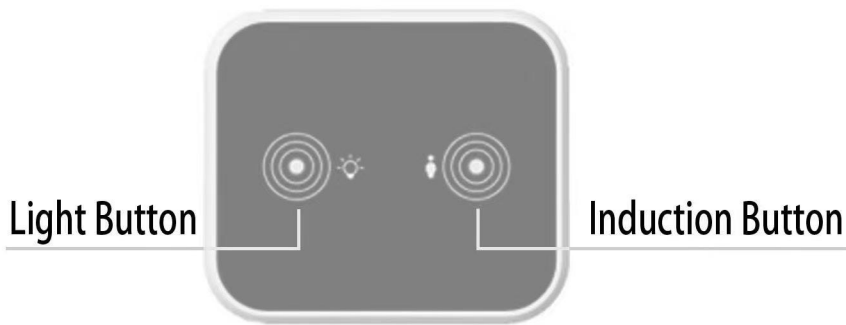
User's Guide

Thank you for purchasing this product. To use this product, please plug it into a 12V DC power supply. Please use if the product works normally after connecting to power.

Introduction

The box is an intelligent controller with 2 touch buttons. It can turn ON/OFF the light, change light colors, and adjust the light luminance.

Product Show



ATTENTION PLEASE

1. If there is no touch response suddenly, Re-plug the power to reset the touch static electricity.
2. If bubbles appear on the panel, remove the protective film.

Operation



This touch button is used to turn on/off, change colors, and adjust brightness.

- A. Short touch -> lighting on -> short touch -> change light color -> short touch -> change light color -> short touch -> lighting off. B. Long touch -> adjust the luminance



This touch button is used to turn on/off the induction function.

- A. Short touch to turn on the induction function. It can auto-turn on the light when people are close to the controller in 1 meters. It can auto power off the light when the body is far away from the controller after 30 seconds.
- B. Long touch to turn off the induction function.
- C. Note: When you touch the light button to change the light modes, the induction function will automatically turn off. It is best to turn on this function after selecting the light color and adjusting the brightness you want.