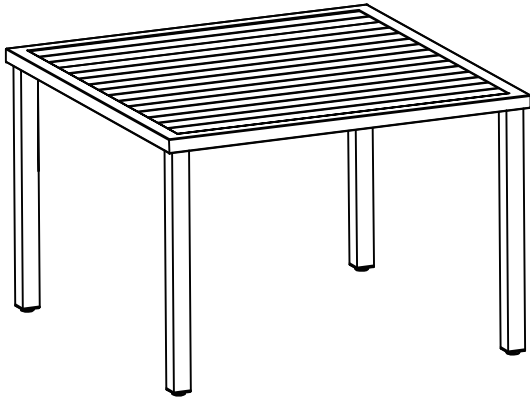







# ASSEMBLY MANUAL

## ASSEMBLY INSTRUCTIONS

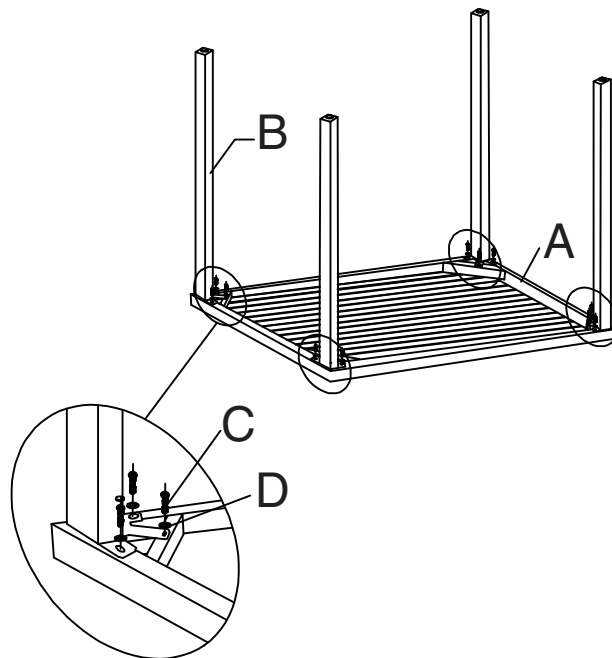


- Prior to assembly, make sure you lay out and identify all the parts listed below in the parts list.
- Tighten all nuts and bolts securely. All bolts should be hand tightened before use. Never use power tools or excessive force during assembly and tightening of bolts.

# Part list

Part	Description	Qty
A	 Top	1
B	 Leg	4
C	 M6*12 Screws	12
D	 M6 Washer	12
E	 Allen key	2

1. Connect Top Part (A) and Legs Part (B) using Screws (C) and Washer (D) as shown in diagram.



**2.** Eventually, check all screws are fixed tightly before using.

