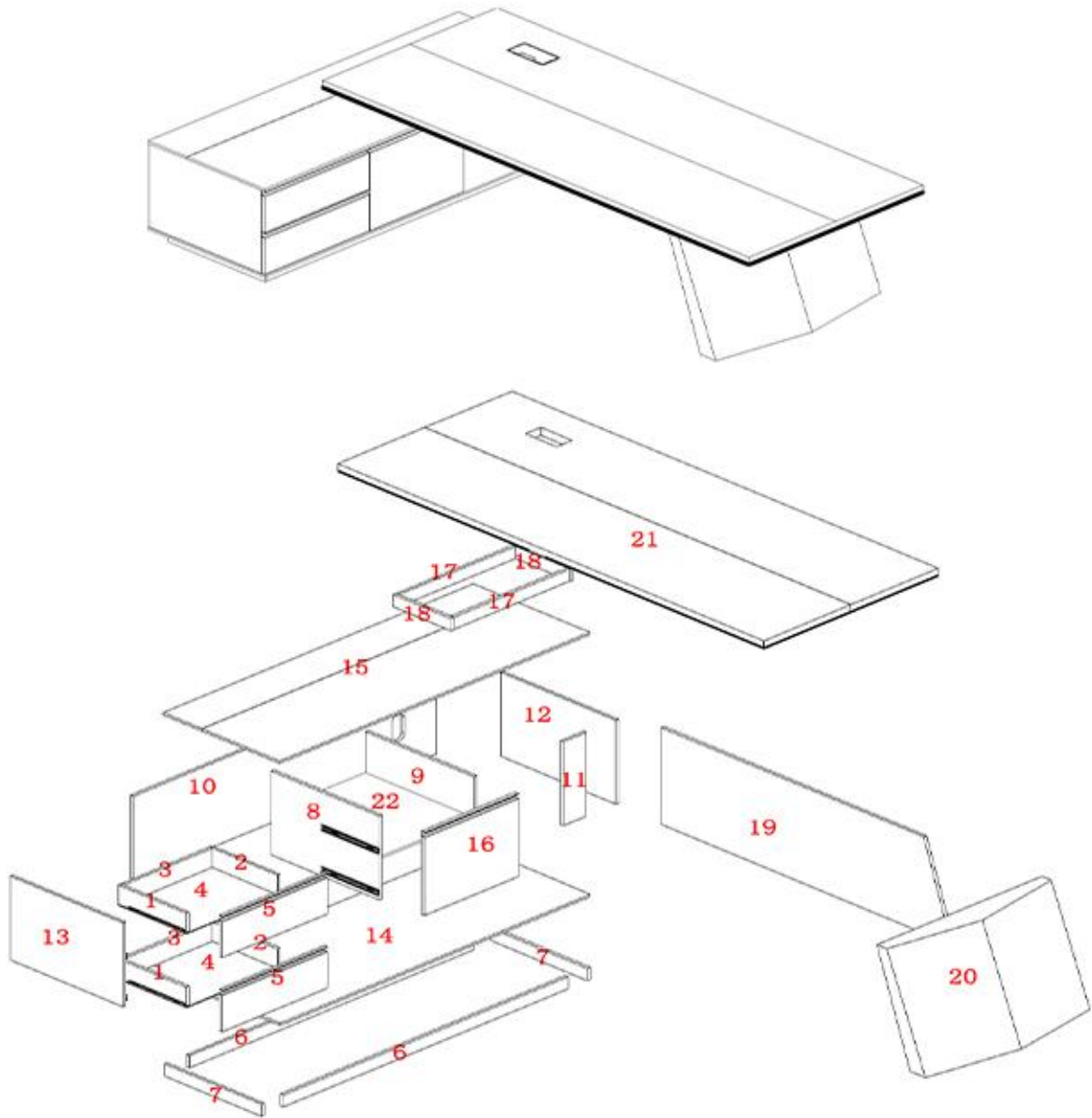





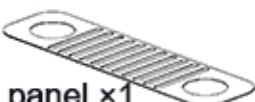

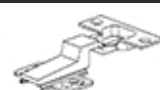








Executive Desk A



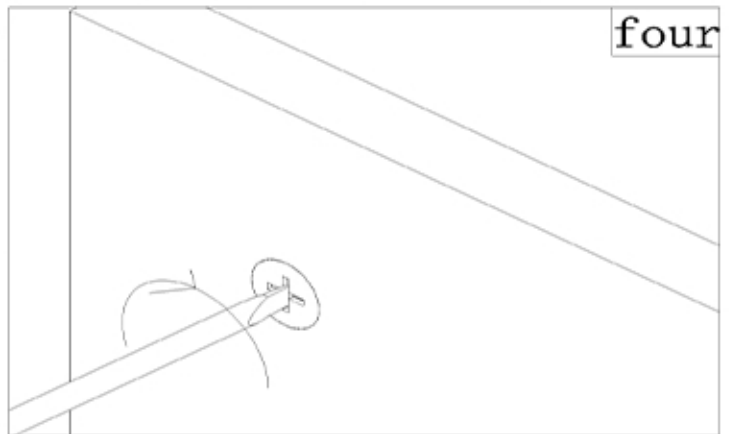
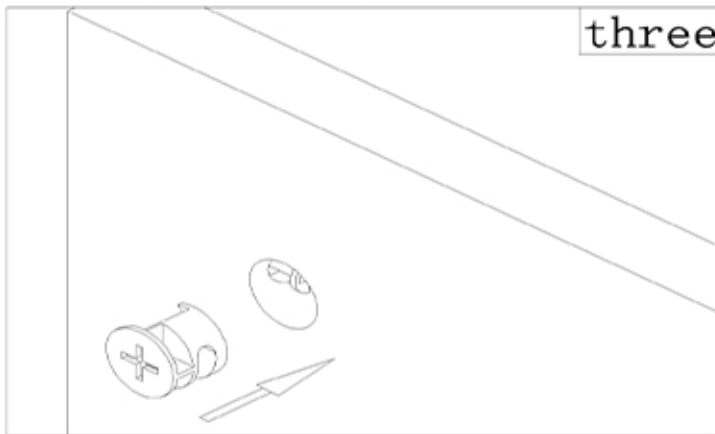
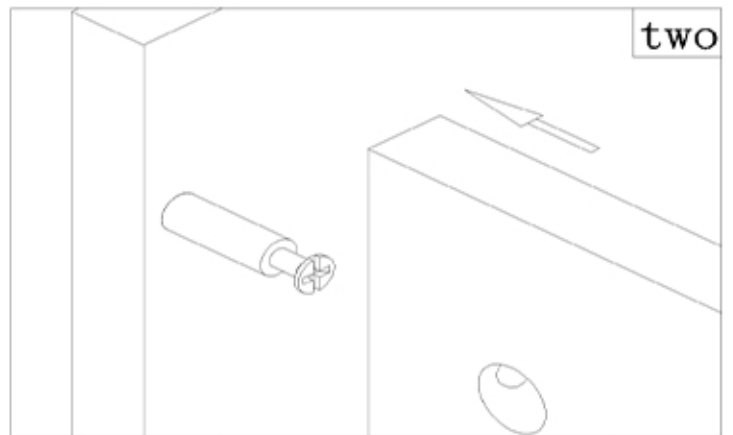
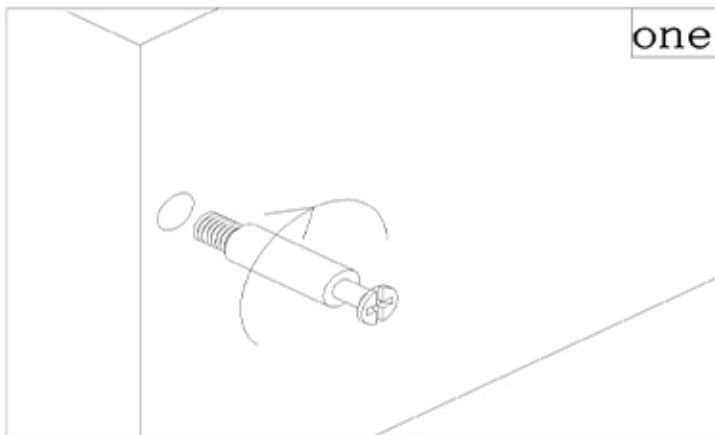
1. Before assembly, please carefully read the instructions and make sure to identify and match each type of panel with its corresponding screws, as some panels and screws are not interchangeable.

2. During assembly, initially tighten all screws about 70%. Once the entire piece is assembled, go back and fully tighten all screws.

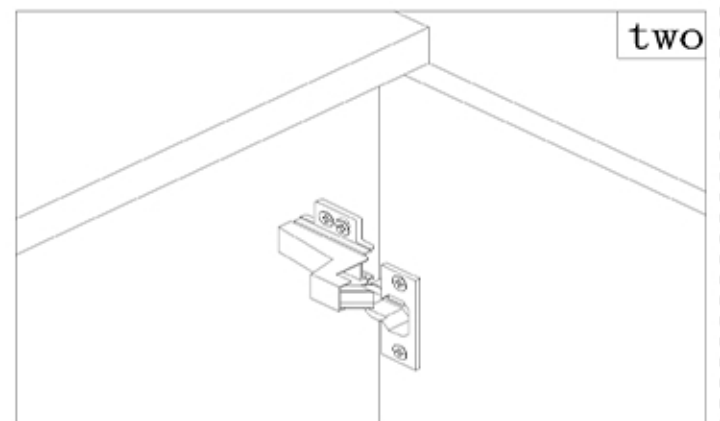
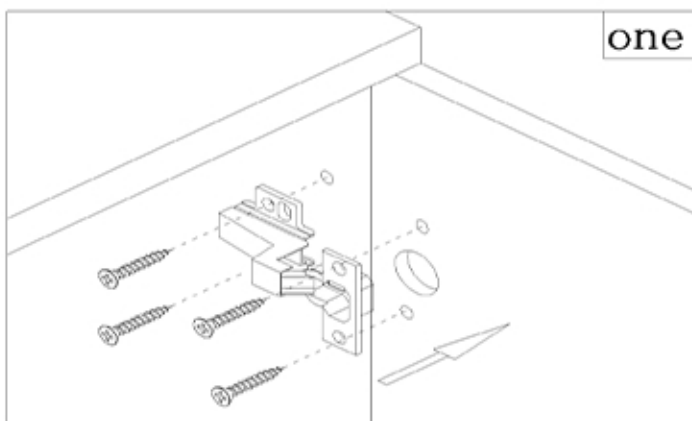
Right drawer side panel x2	Short leg rail x2	Right side panel x1	Divider panel x1
Left drawer side panel x2	Middle side panel 1 x1	Cabinet bottom panel x1	Hardware leg x1
Drawer back panel x2	Middle side panel 2 x1	Cabinet front panel x1	Tabletop panel x1
Drawer bottom panel x2	Back panel x1	Door panel x1	Adjustable shelf
Drawer front panel x2	Front support panel x1	Long top box x2	
Long leg rail x2	Left side panel x1	Top box x2	

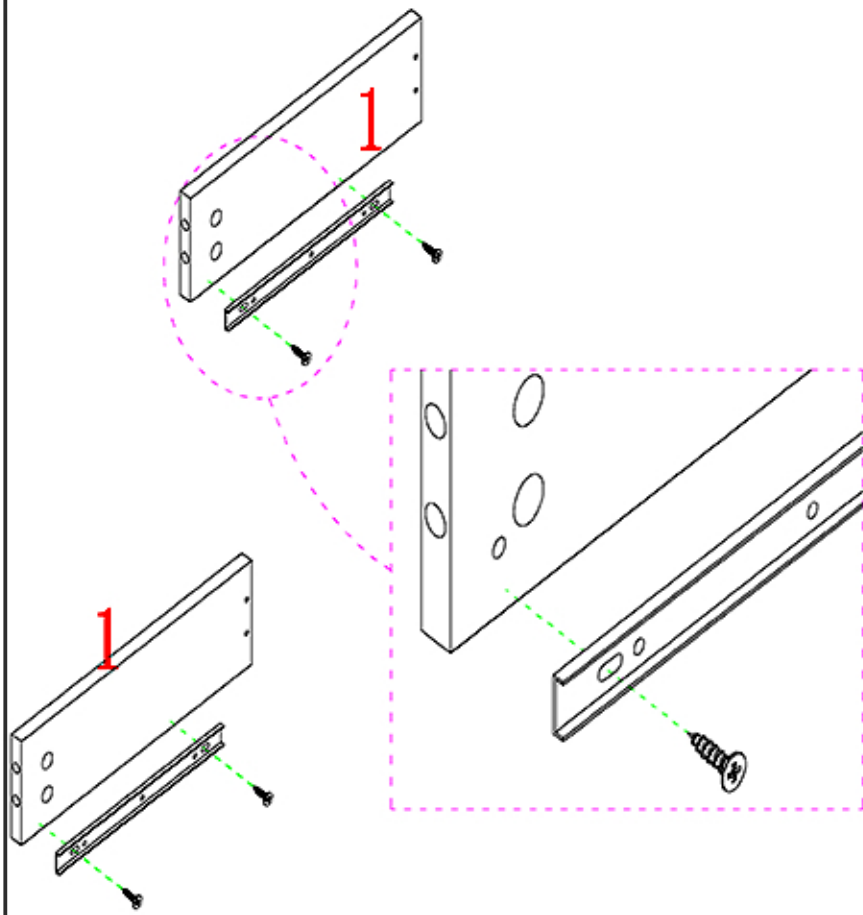
A  3-in-1 connector x62	B  3-in-1 cam lock x70	C  2-in-1 connector x4	D  Mesh panel x1
E  Cable box x1	F  Door hinge x2	G  Large flat washer x2	H  Corner bracket x6
I  3.5x35 mm self-tapping screw x8	J  3.5x14 mm self-tapping screw x50	K  4x20 mm self-tapping screw x16	L  Shelf pin x4
M  Drawer slide x2	K  Large flat head screw x8		



three in one sketch

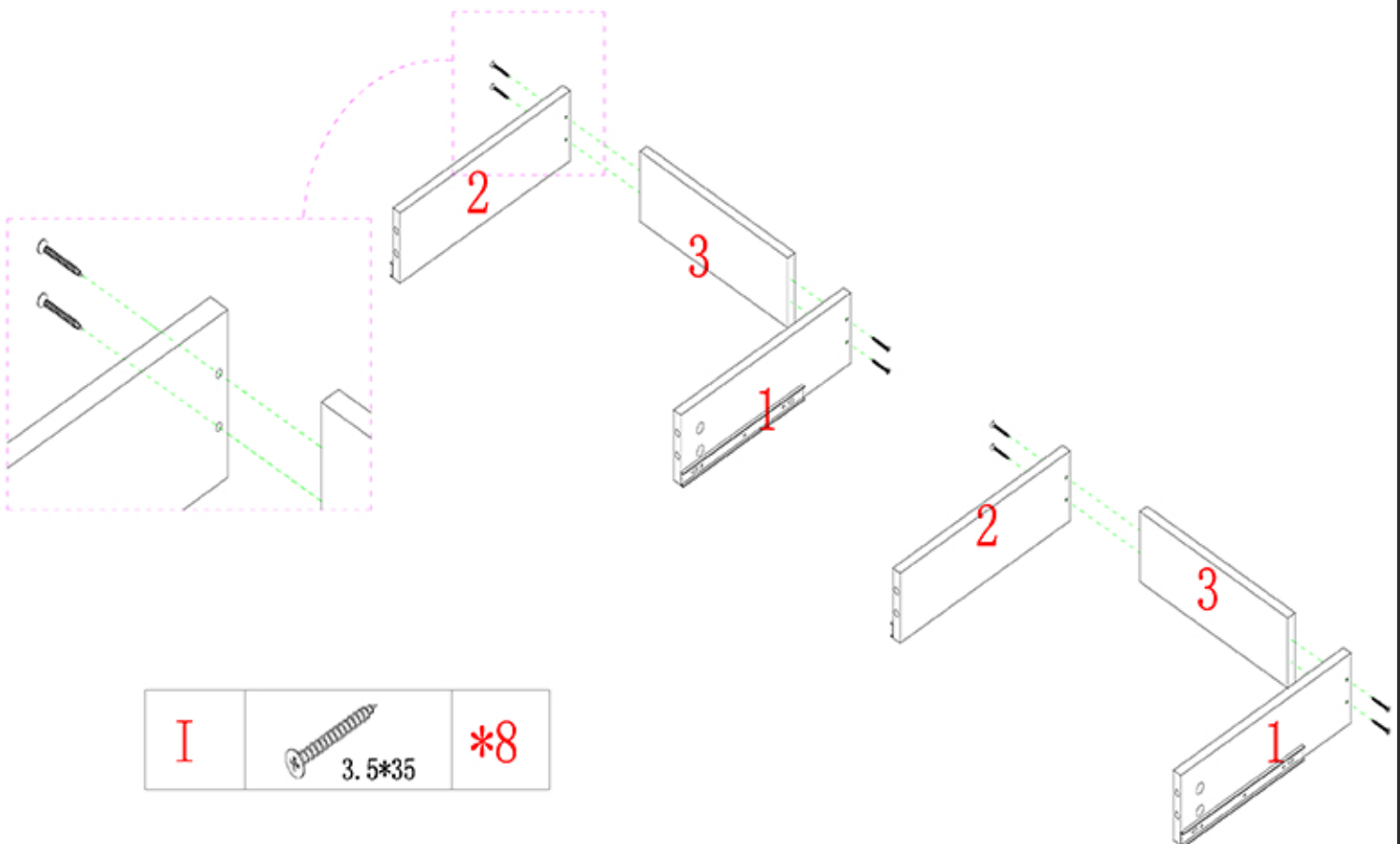


door hinge

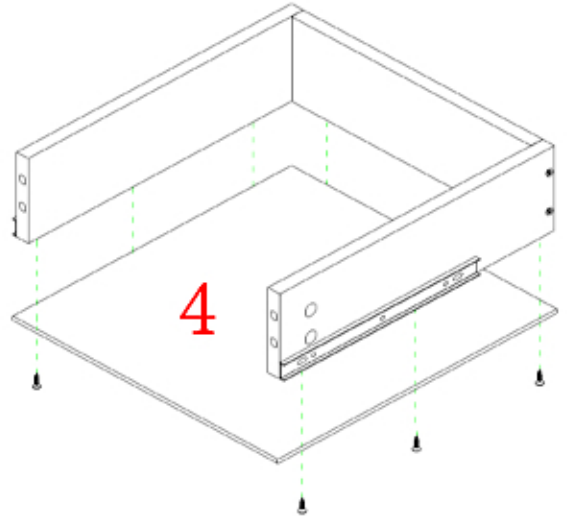
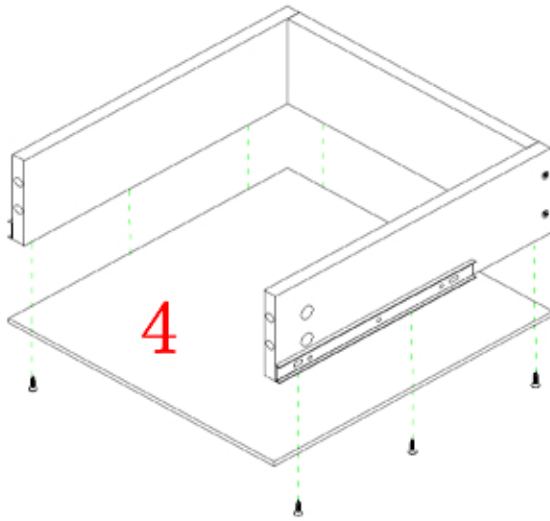




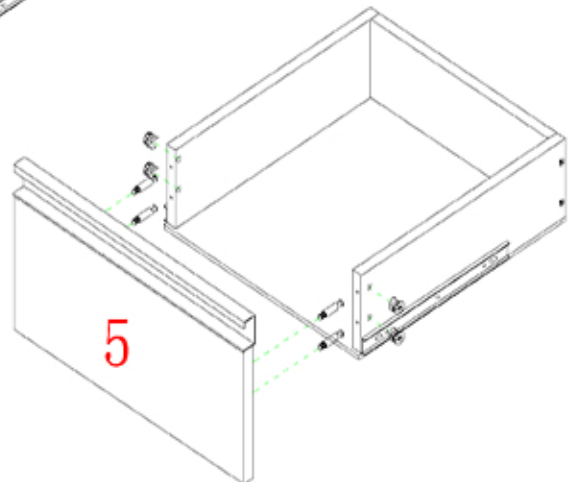
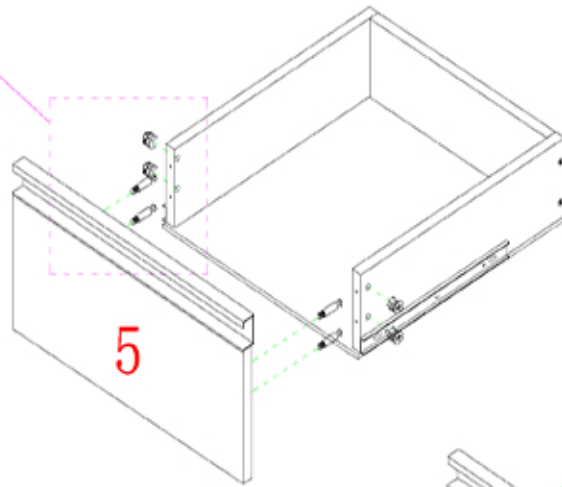
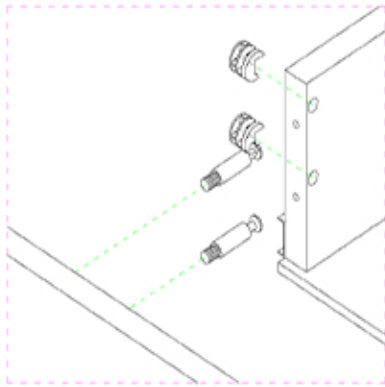
M		*2
J	 3.5*14	*4





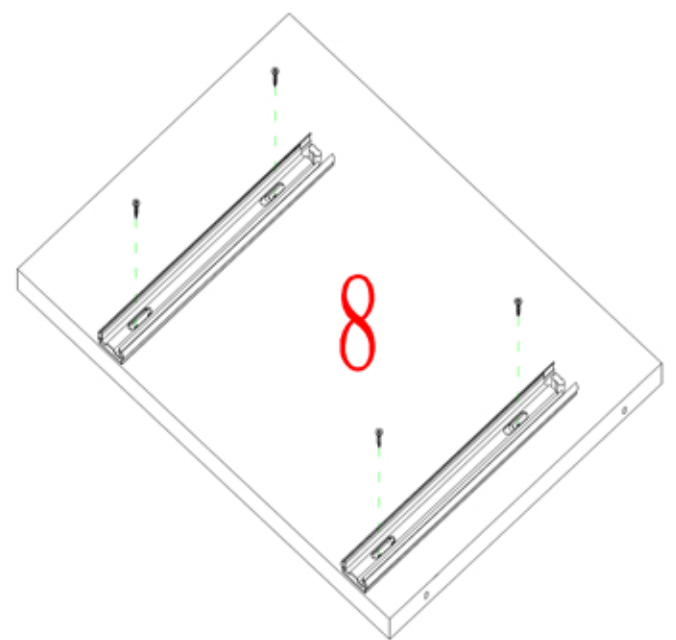
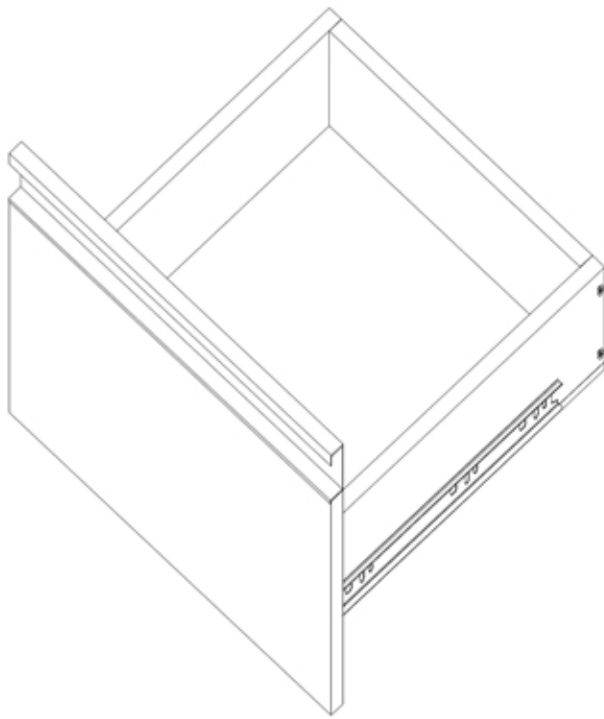
I	 3.5*35	*8
---	--------------------------------------------------------------------------------------------	----



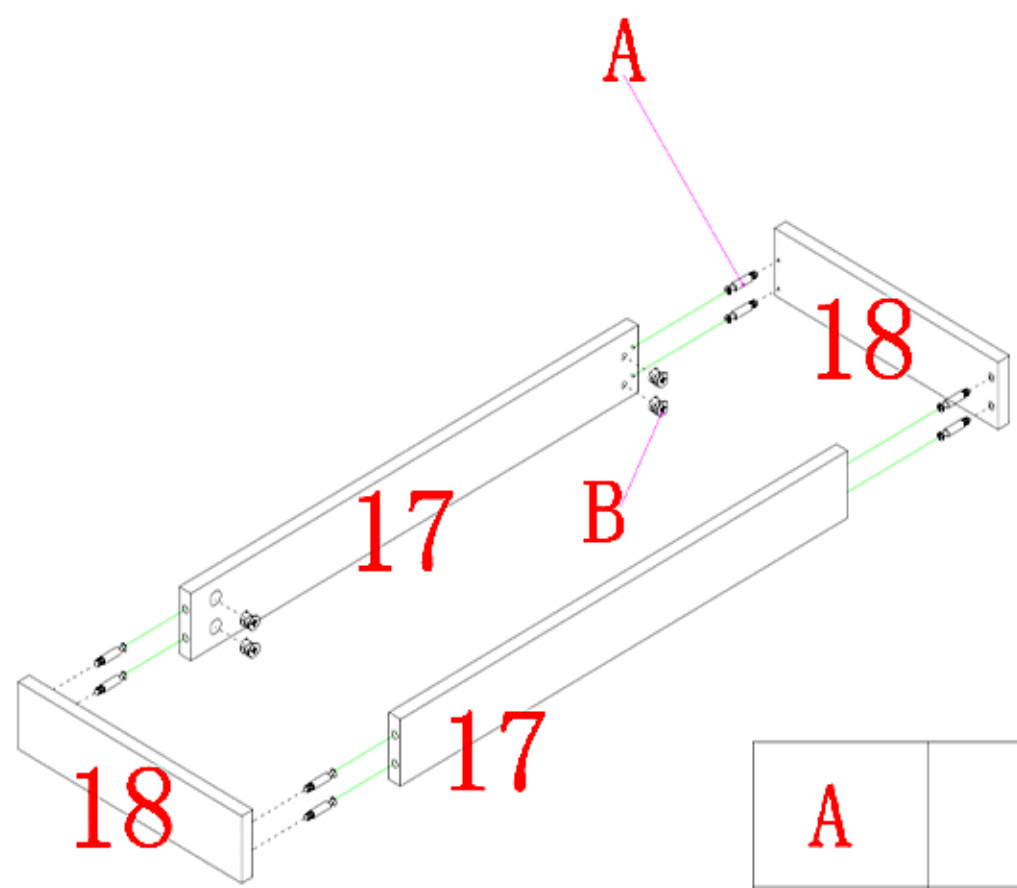
J	 3.5*14	*12
----------	------------------------------------------------------------------------------------------	------------



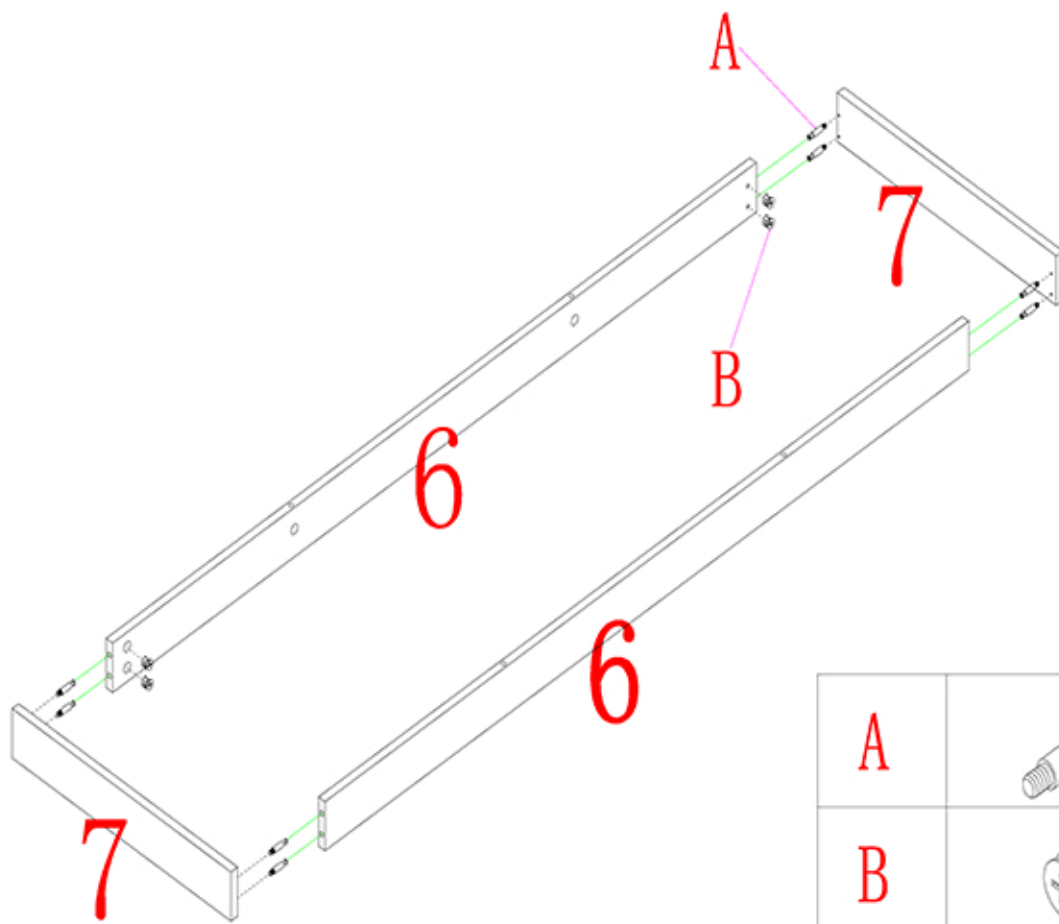
A		*8
B		*8





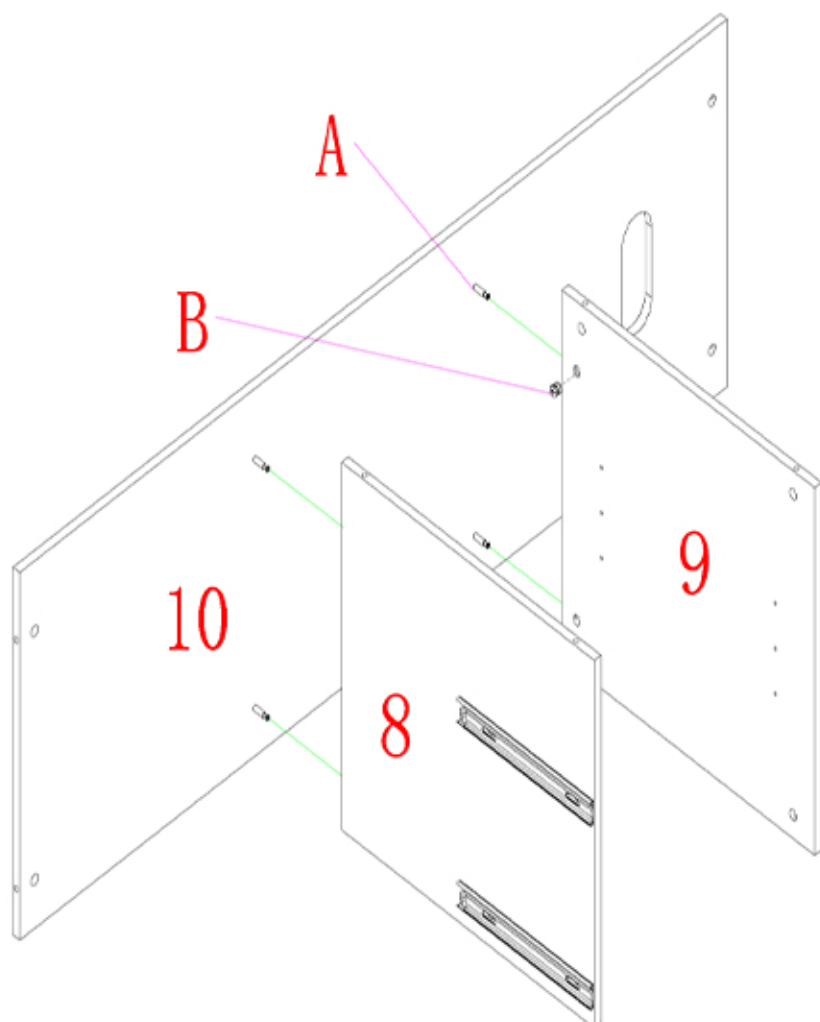
*2		M
*4	3.5*14	J





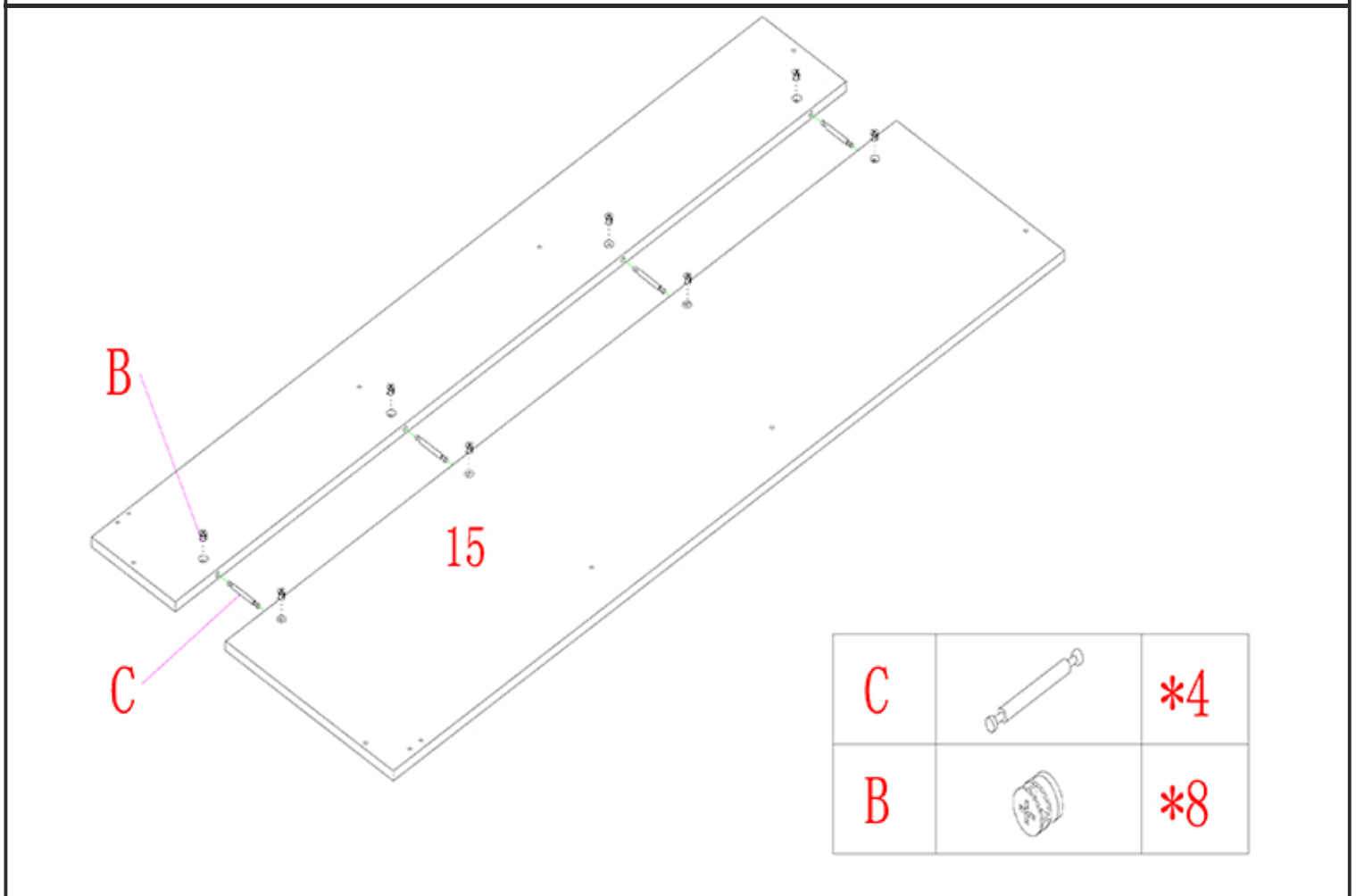
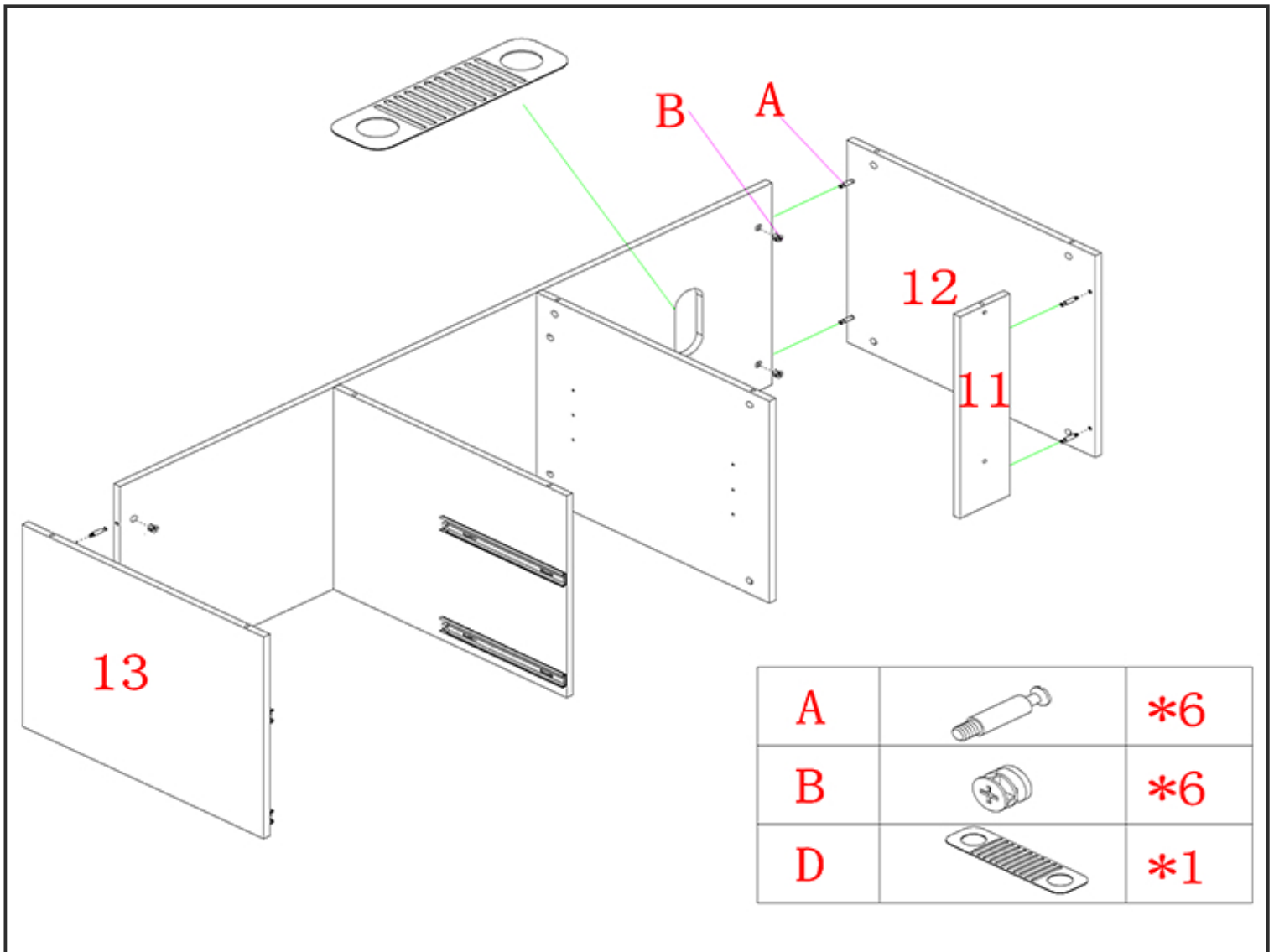
A		*8
B		*8

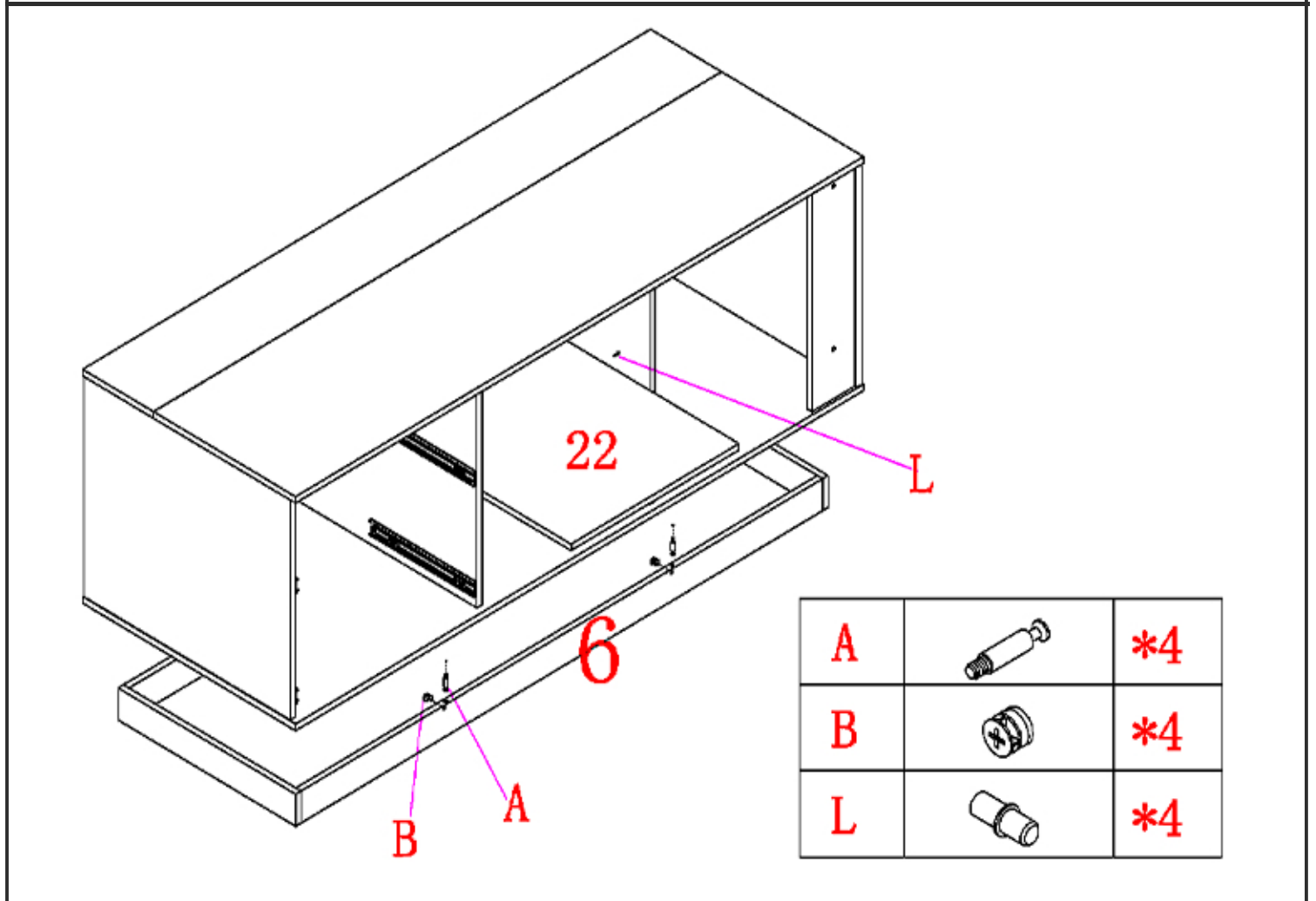
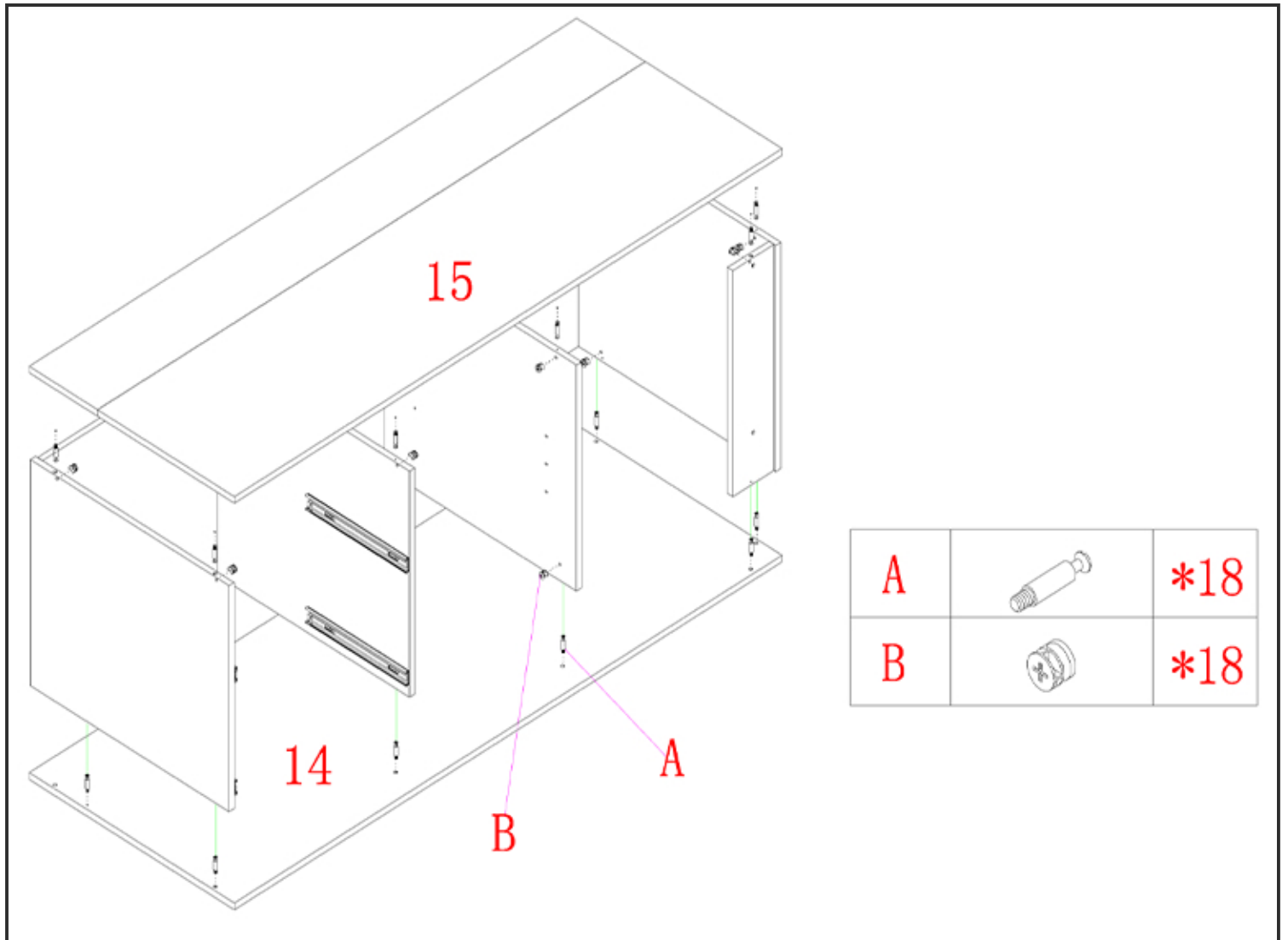


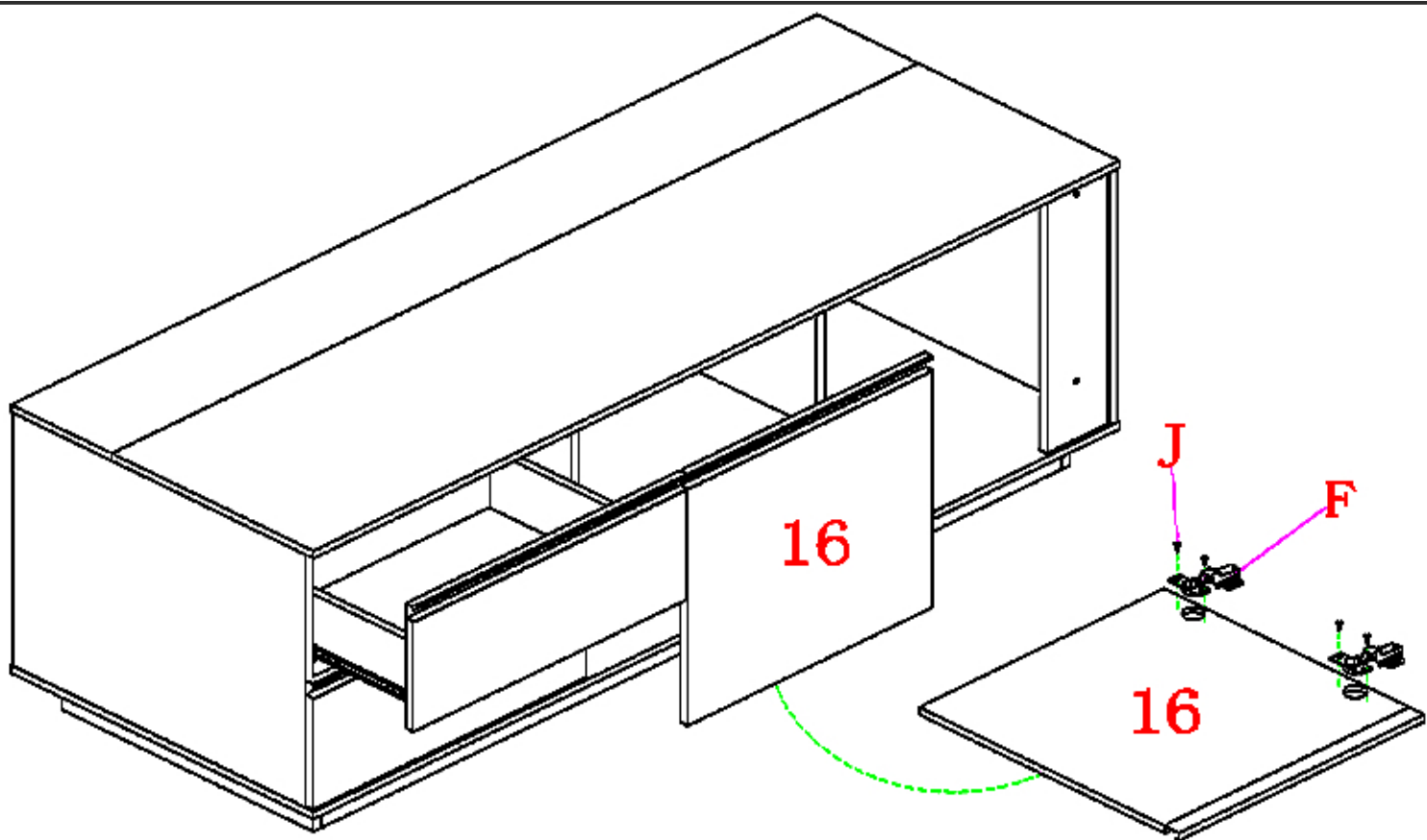
A		*8
B		*8





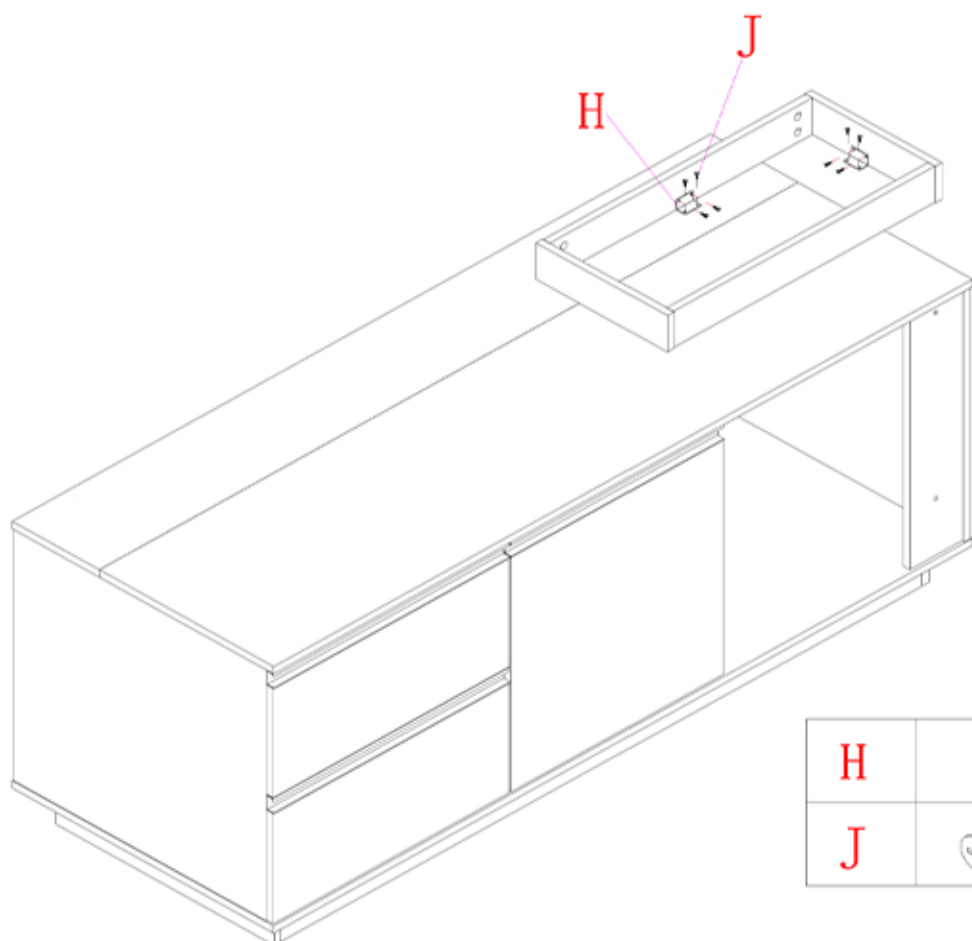
A		*4
B		*4





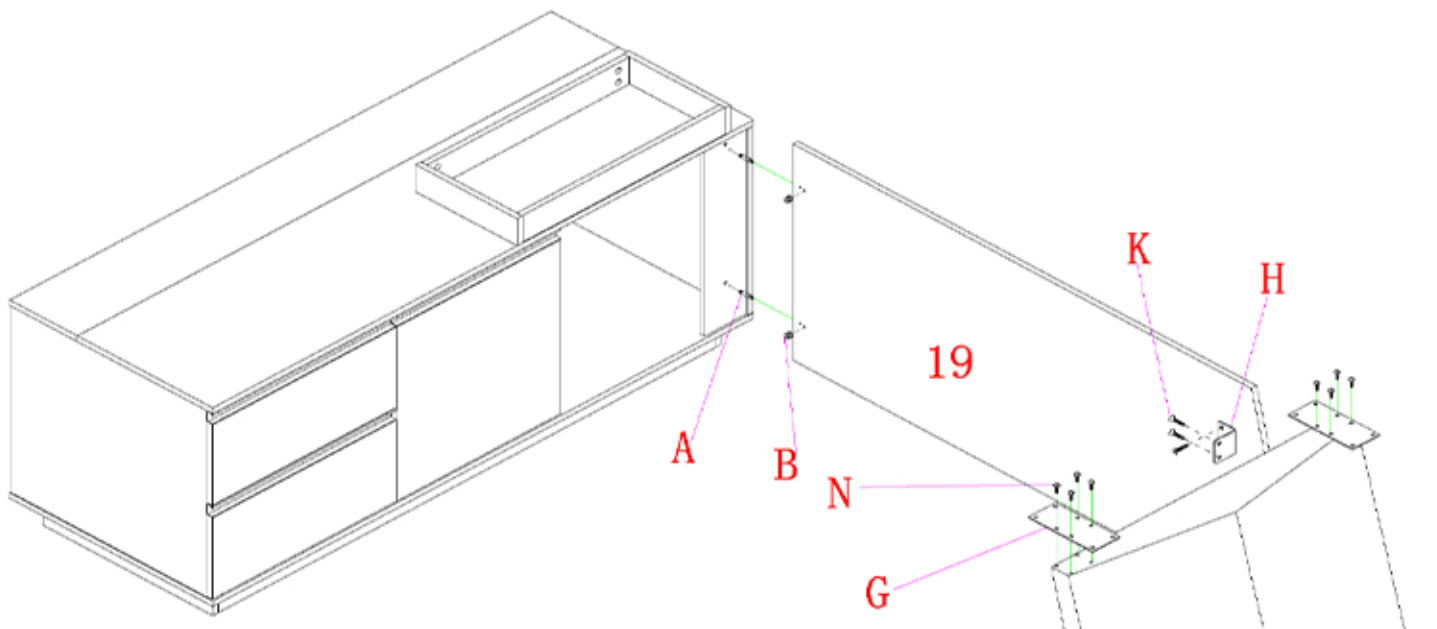









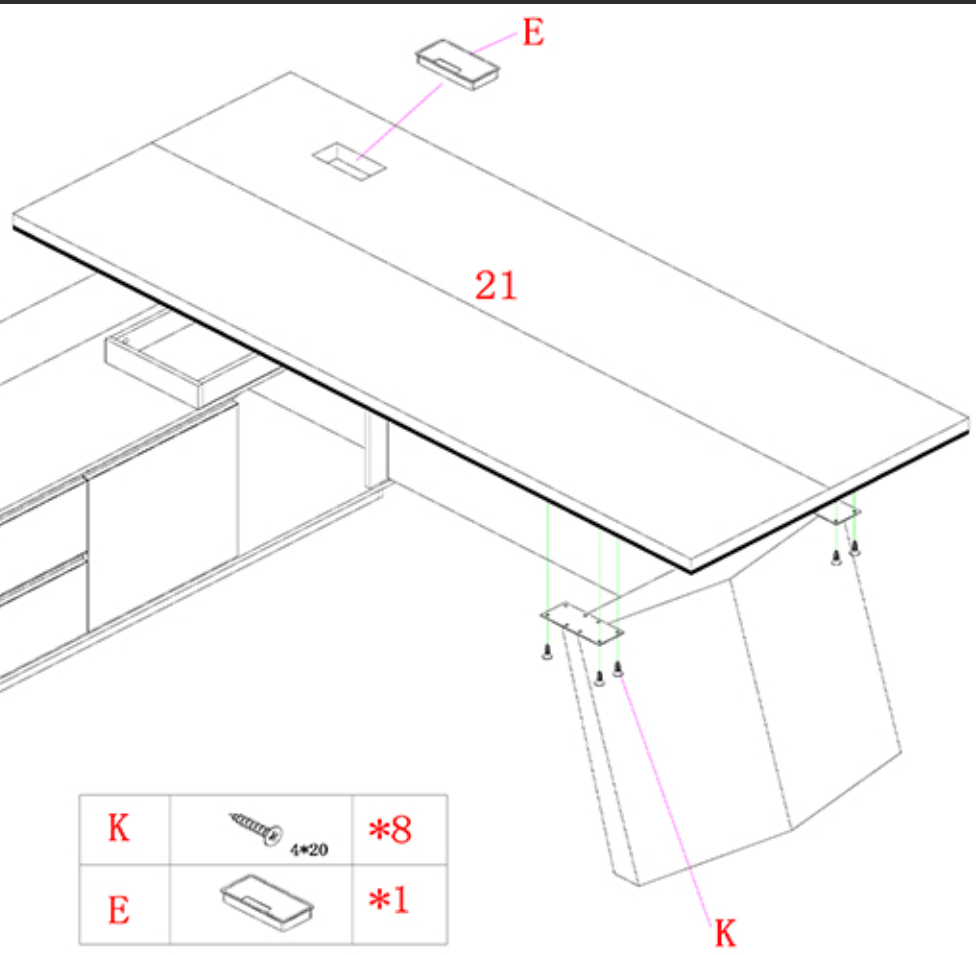
F		*2
J	 3.5*14	*12





H		*4
J	 3.5*14	*16



A		*2
B		*2
G		*2
N		*8
H		*2
K		*8



K		*8
E		*1

