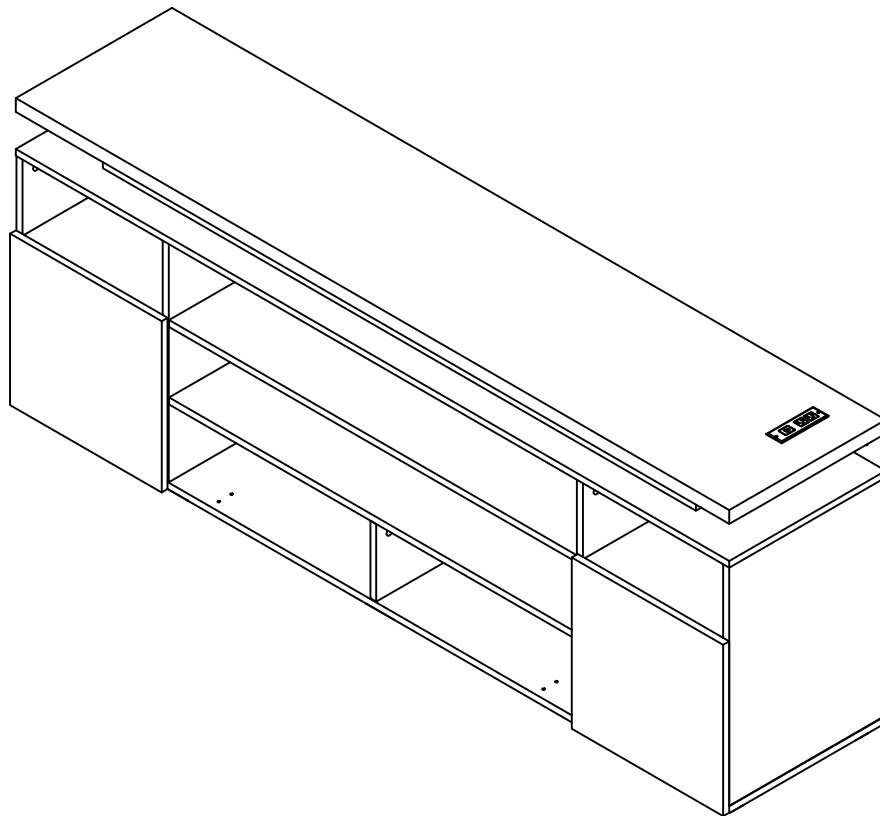


# ASSEMBLY INSTRUCTIONS

---

---



## **⚠ SAFETY TIPS:**

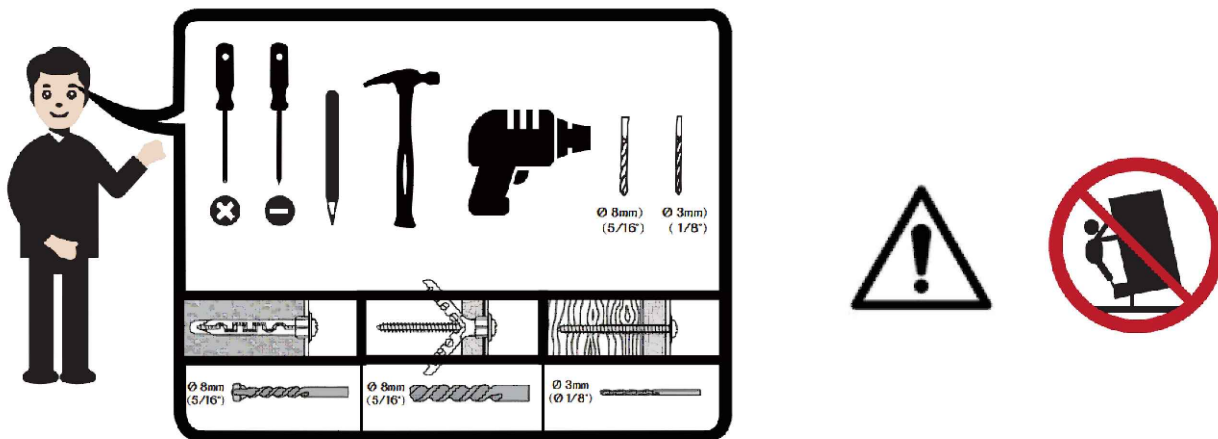
Static charge may cause dust on foam-clean with a dry or damp cloth. Small foam strands may be present-handle gently and dispose of properly. Do not burn or incinerate. Check local recycling guideline.

Have an assembly question or need a replacement part?  
Please contact with our customer service.

# Warnings

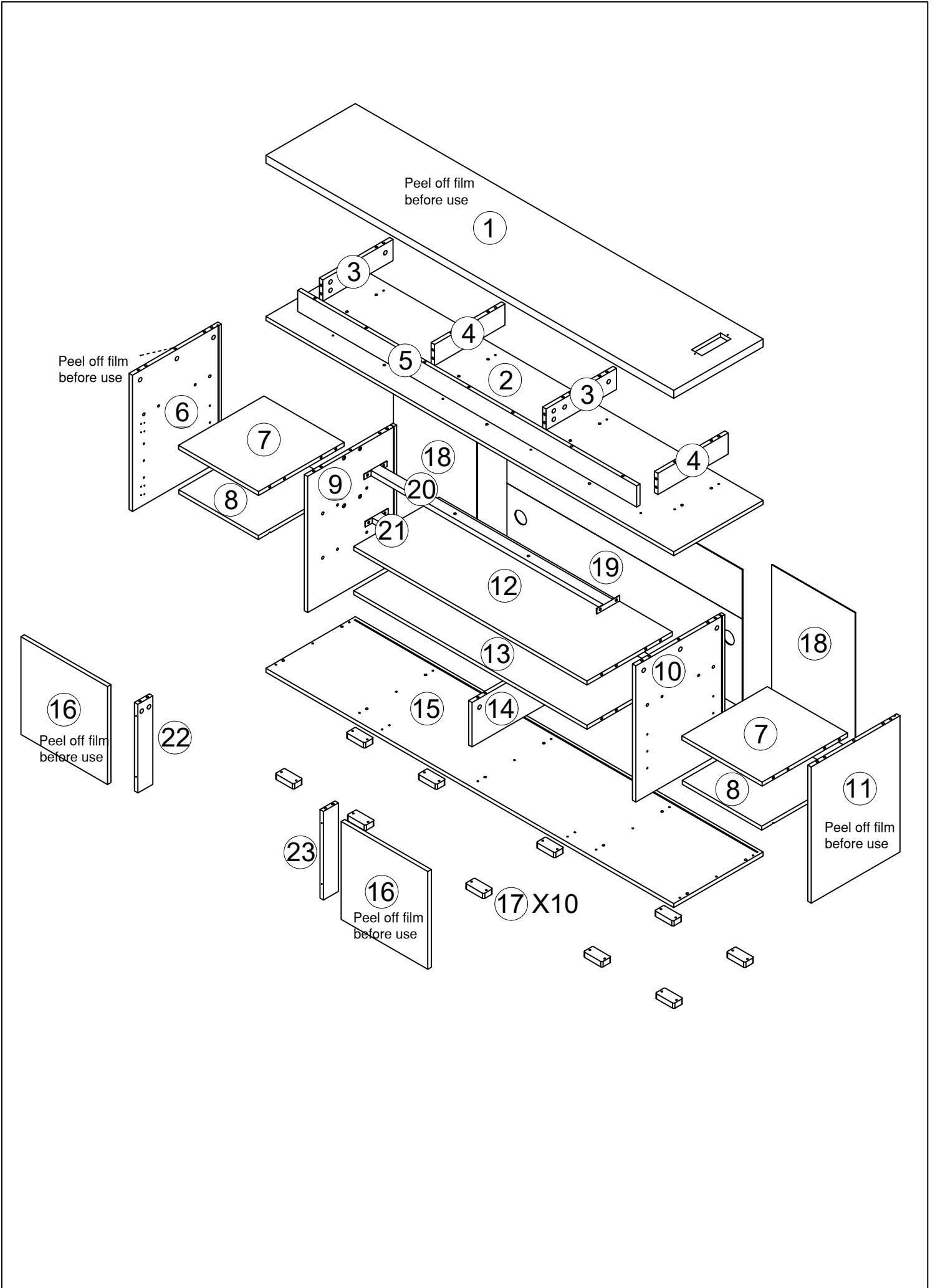
Important reminder:

- ⚠ Please sort and check all accessories before assembly.
- ⚠ Place the product on an empty cardboard box or on carpet to prevent scratches.
- ⚠ Please use proper tools for assembly. Using an electric screwdriver can accelerate the assembly speed, but please do not overtighten the screws.
- ⚠ Please follow the assembly steps and do not skip any of them.
- ⚠ If possible, please find a partner to help you with assembly, which can accelerate assembly.
- ⚠ Keep all small parts of this product away from children. They may cause serious injury.
- ⚠ We hope you can retighten the screws 2 weeks after assembly, and check the tightening procedure of the screws every 3 months.  
If you meet any difficulty, our friendly customer team are always ready to help you.

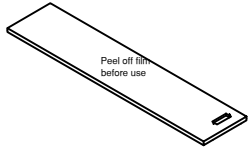


Warning: Overturning the product can cause serious crushing injuries. We have a wall connection device attached, please use it to hold the furniture following assembly instructions. Do not change the structure of this product in any way. Our products have been tested and meet any local sales specific security measures. We won't be responsible for any modifications, which may cause significant security risks.

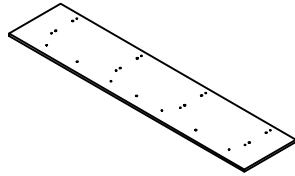
# Explosion Diagram



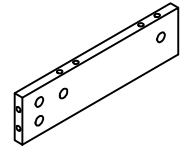
# Parts List



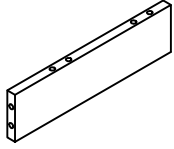
① X1



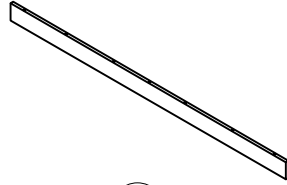
② X1



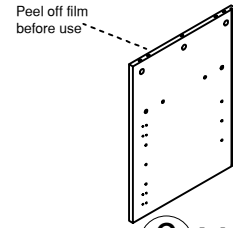
③ X2



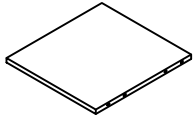
④ X2



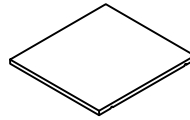
⑤ X1



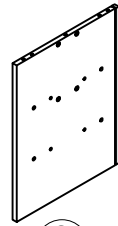
⑥ X1



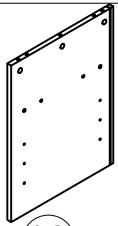
⑦ X2



⑧ X2



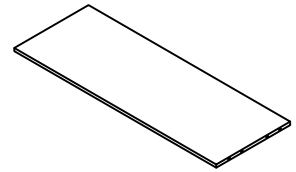
⑨ X1



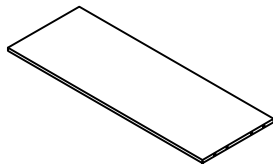
⑩ X1



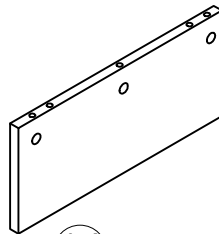
⑪ X1



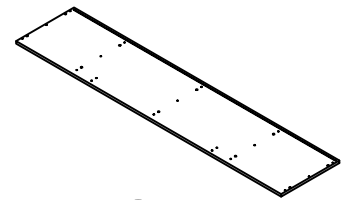
⑫ X1



⑬ X1



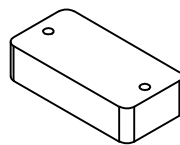
⑭ X1



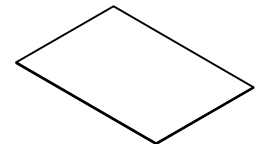
⑮ X1



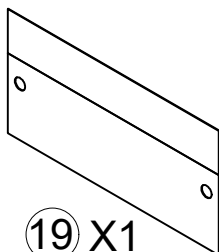
⑯ X2



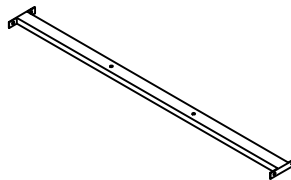
⑰ X10



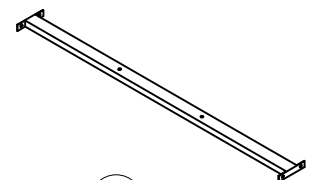
⑱ X2



⑲ X1

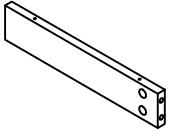


⑳ X1

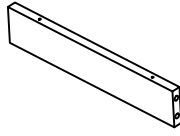


㉑ X1

# Parts List

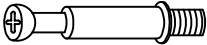












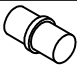



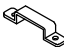



②② X1



②③ X1



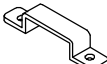
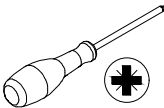
# Hardware List

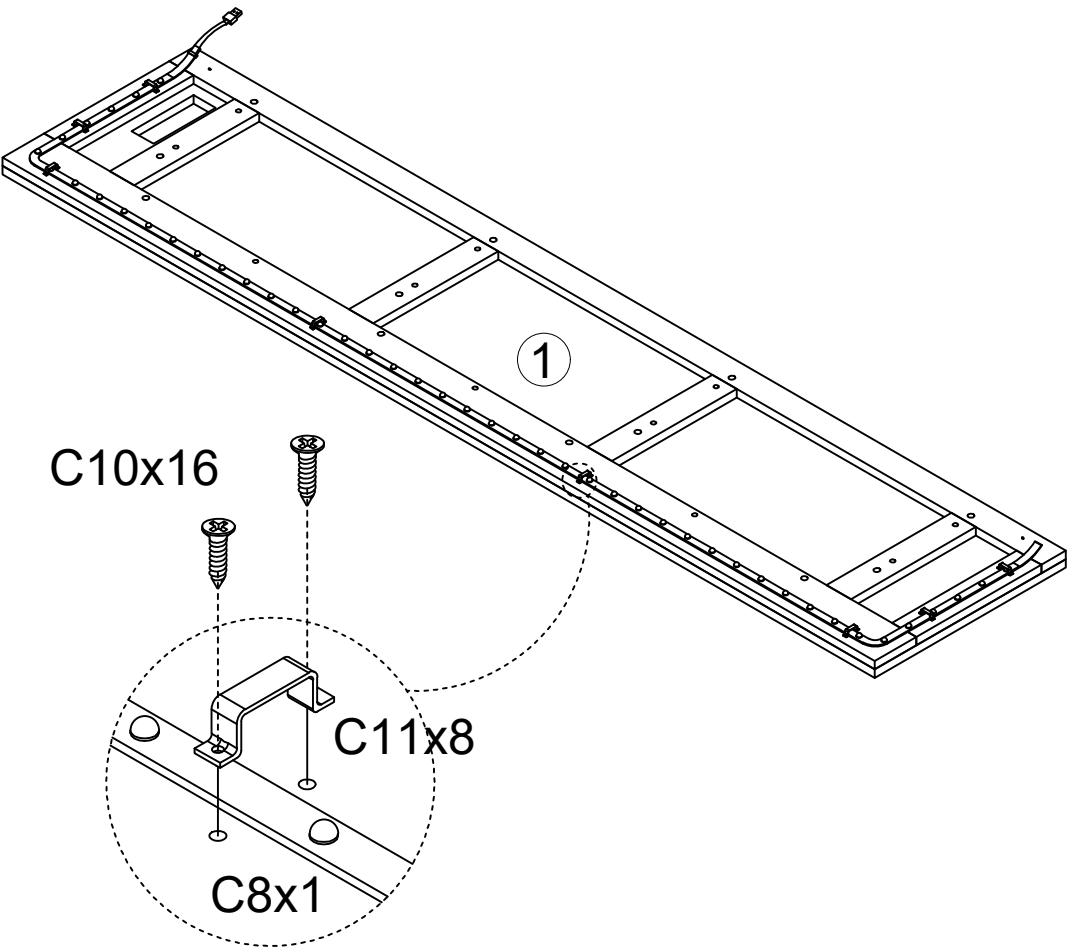
No.	Code	Diagram	Description	Quantity
1	<b>A1</b>		Ø6 x 40 mm	52
2	<b>A2</b>		Ø15 x 9.5 mm	52
3	<b>B1</b>		Ø5 x 40 mm	28
4	<b>B2</b>		Ø3.5 x 14 mm	30
7	<b>B3</b>		M6.0 x 30 mm	4
5	<b>B4</b>		M4.0 x 25mm	20
6	<b>B5</b>		M6.0 x 12 mm	8
8	<b>C1</b>		Ø8 x 40 mm	58
9	<b>C2</b>			22
10	<b>C3</b>			2
11	<b>C4</b>		Ø5 x 40 mm	2
12	<b>C5</b>			56
13	<b>C6</b>			1
14	<b>C7</b>			8
15	<b>C8</b>			1
16	<b>C9</b>			4
17	<b>C10</b>		Ø3.5 x 12 mm	16
18	<b>C11</b>			8
19	<b>D</b>			1

THE SPARE BAG INCLUDED EXTRA HARDWARE FOR DAMAGED OR MISSING SMALL HARDWARE WHILE YOU ARE ASSEMBLING

# Assemble

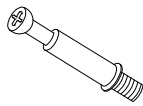
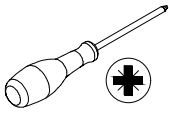
Step 1

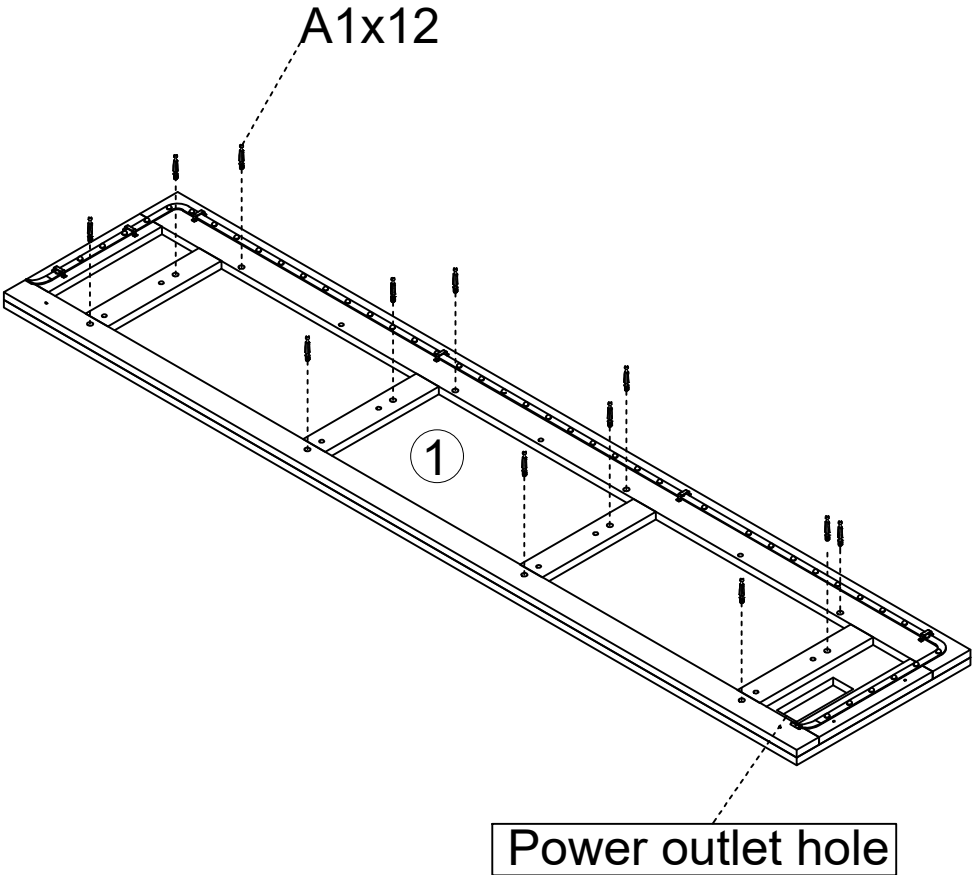
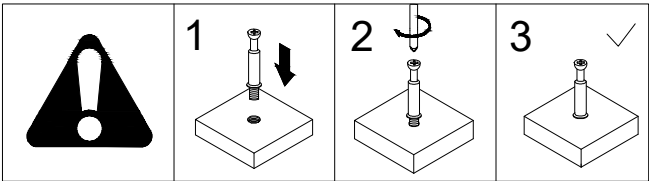
			
C8	1PC	C10 16PCS	C11 8PCS
			D



# Assemble

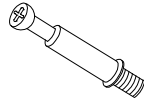

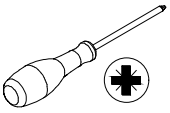
Step 2

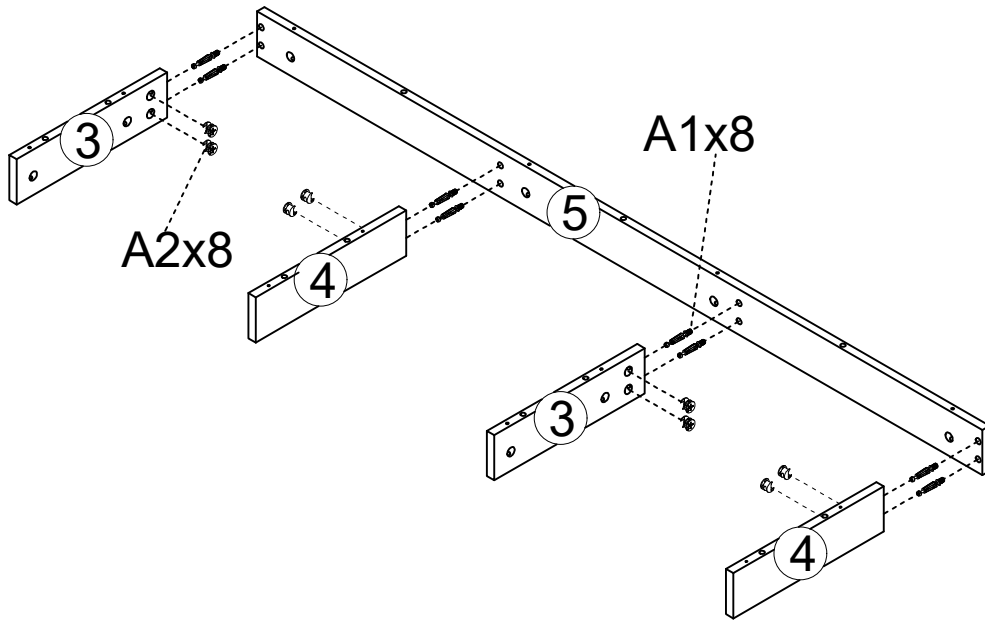
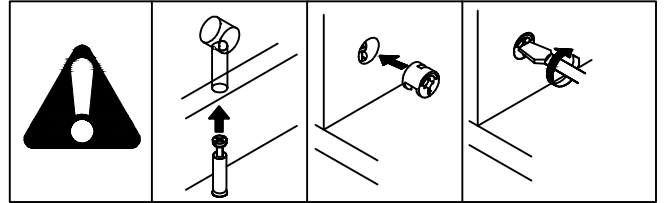
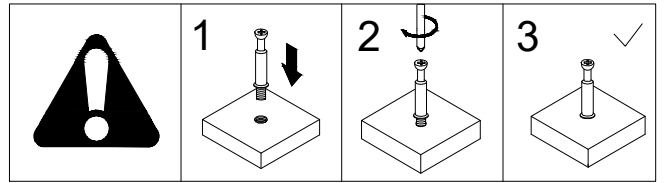
		
A1	12PCS	D



# Assemble



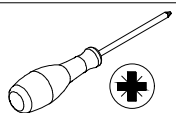
Step 3

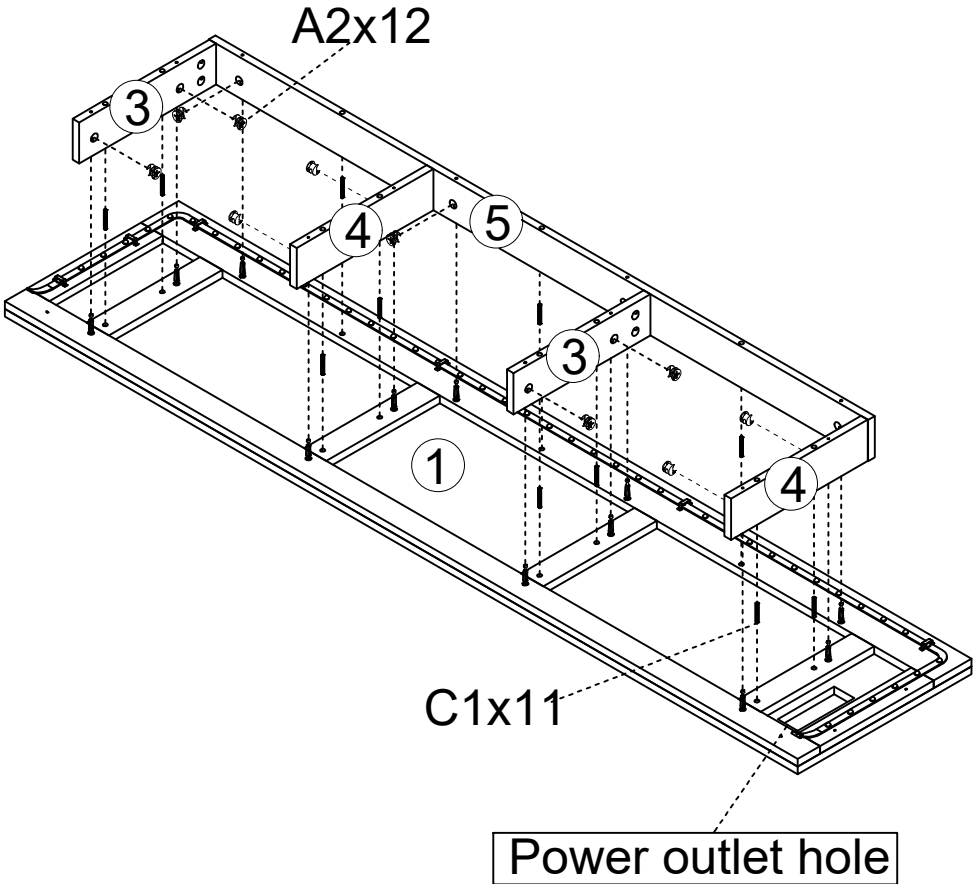
				
A1	8PCS	A2	8PCS	D



# Assemble

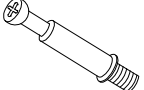



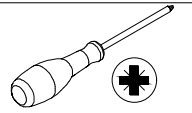
Step 4

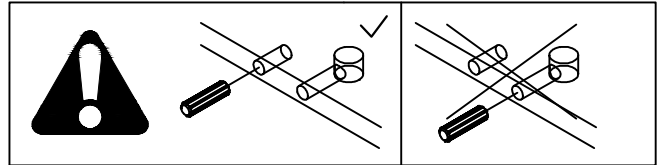
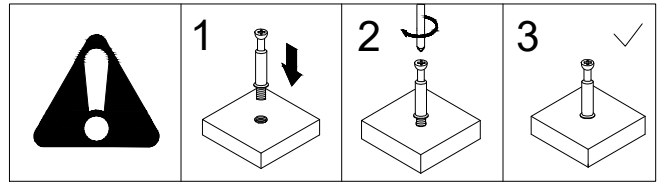
		
A2 12PCS	C1 11PCS	D



# Assemble

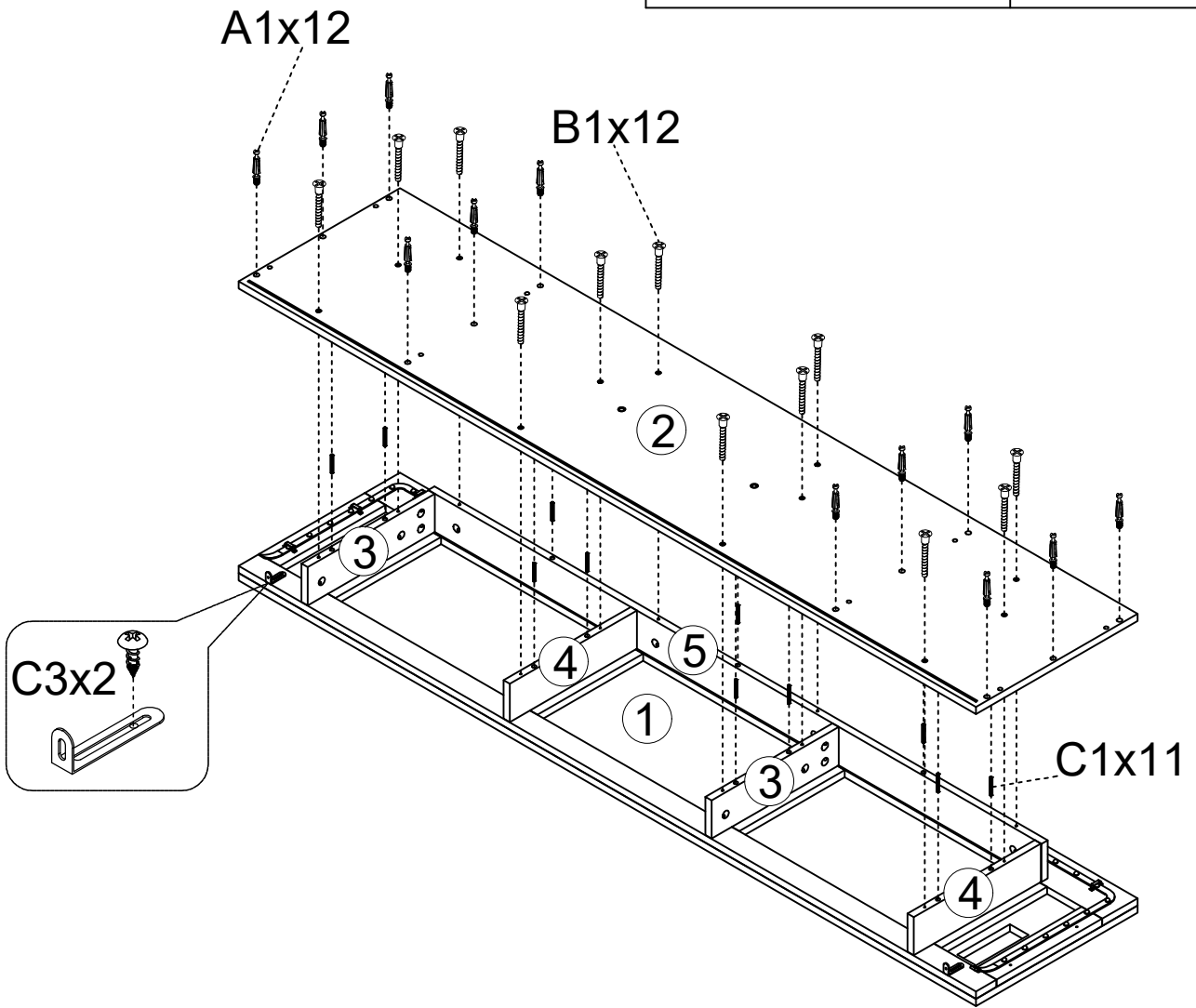
Step 5

									
A1	12PCS	B1	12PCS	C1	11PCS	C3	2PCS	D	



A1x12

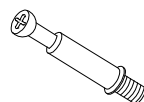
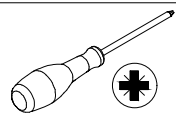
B1x12



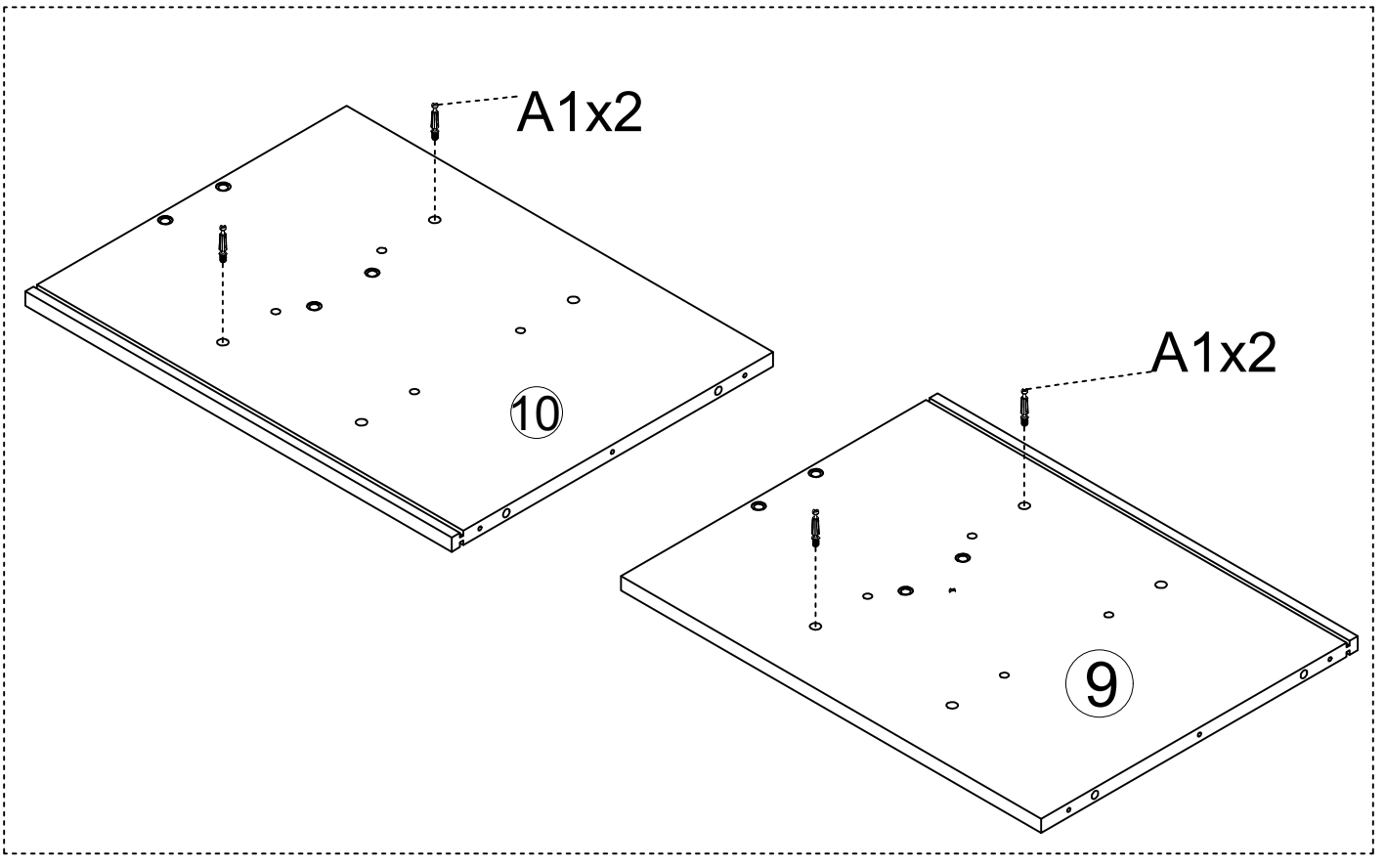
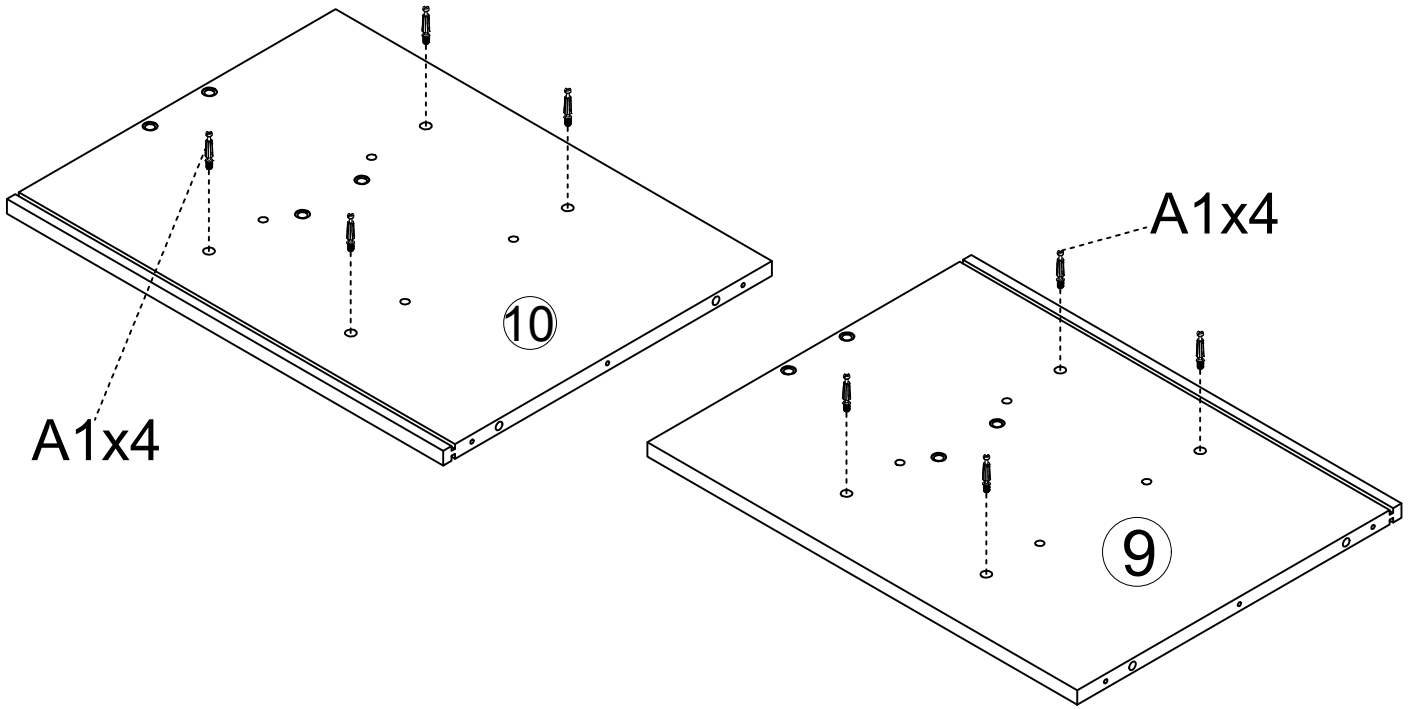
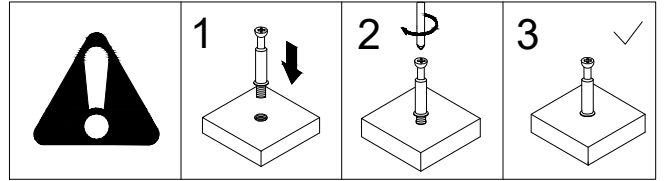
C1x11

# Assemble

## Step 6



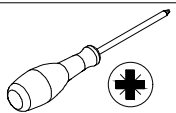
	
A1	8PCS
D	

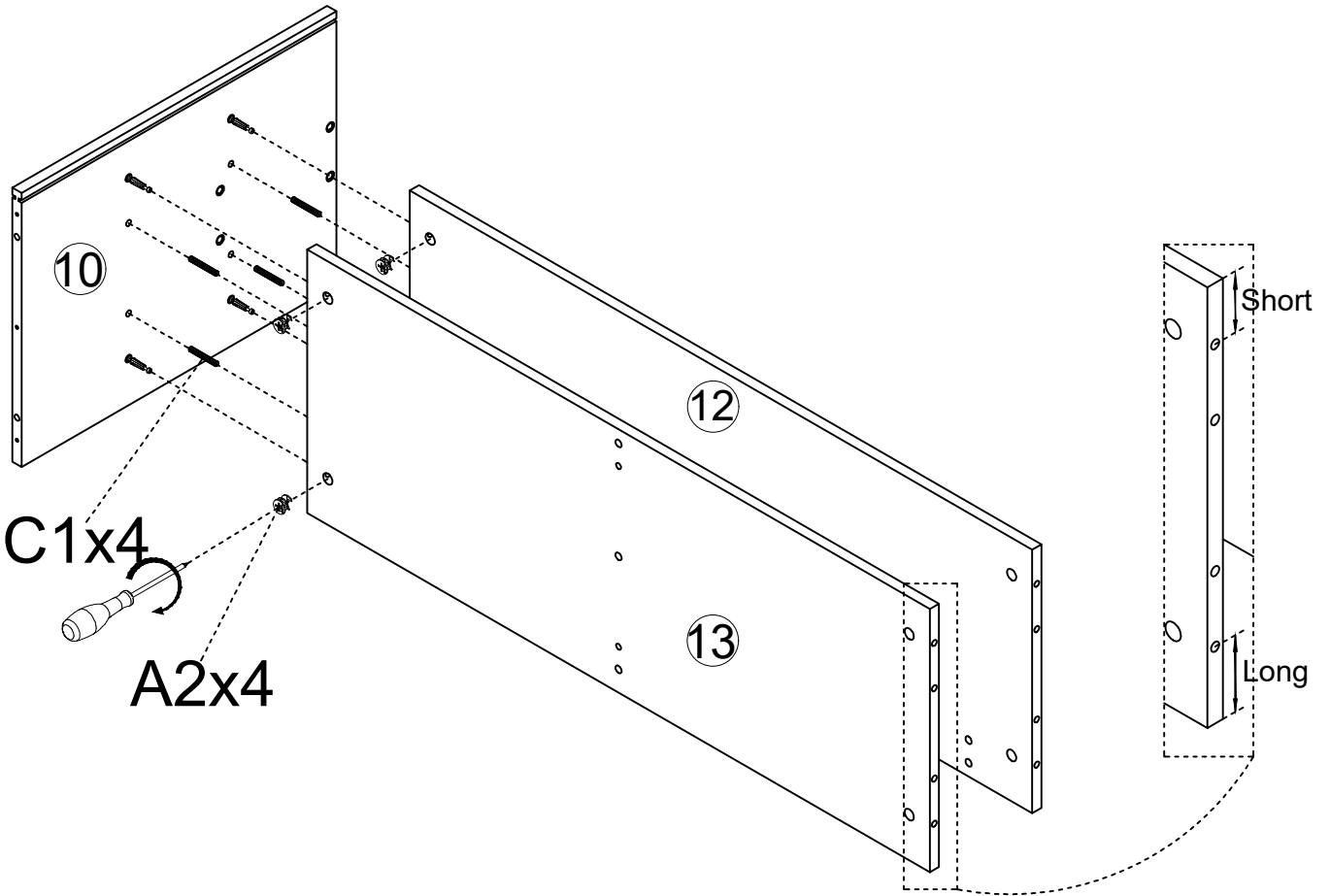
To assemble a cabinet with a fireplace, follow the steps in the dotted box.



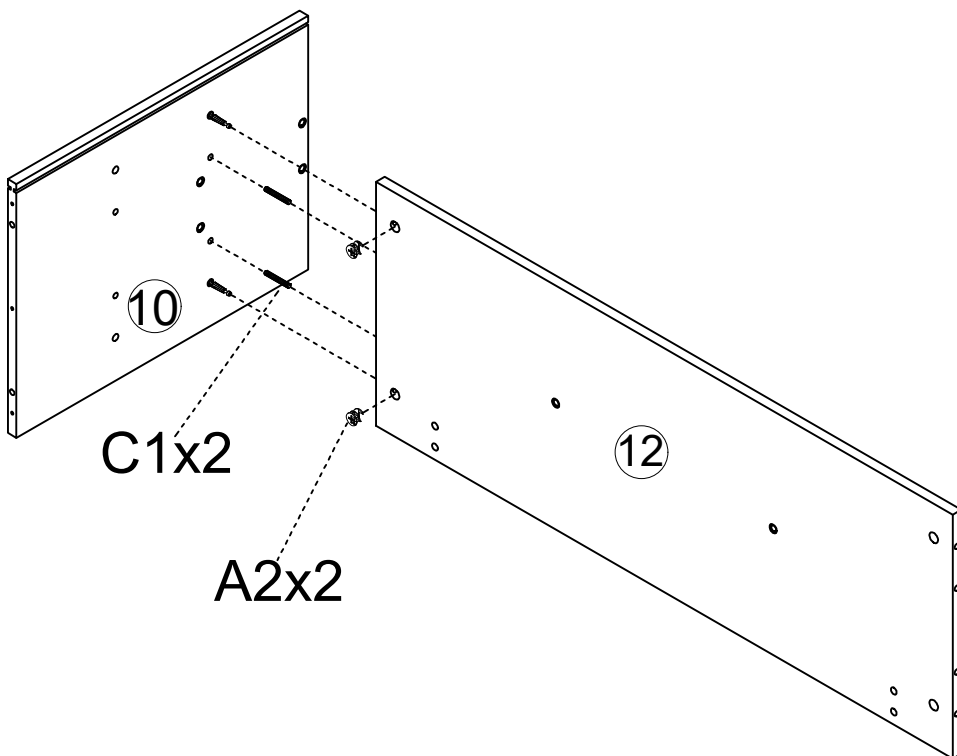
# Assemble

Step 7

		
A2 4PCS	C1 4PCS	D





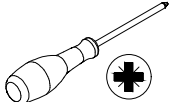
C1x4  
A2x4

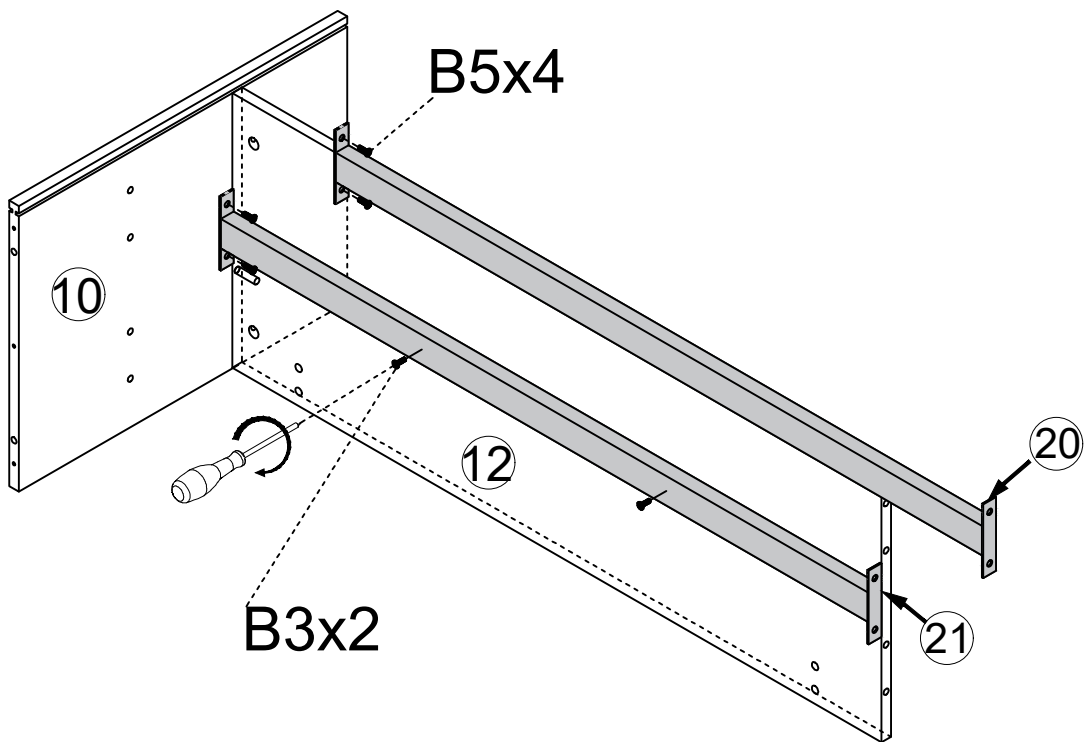
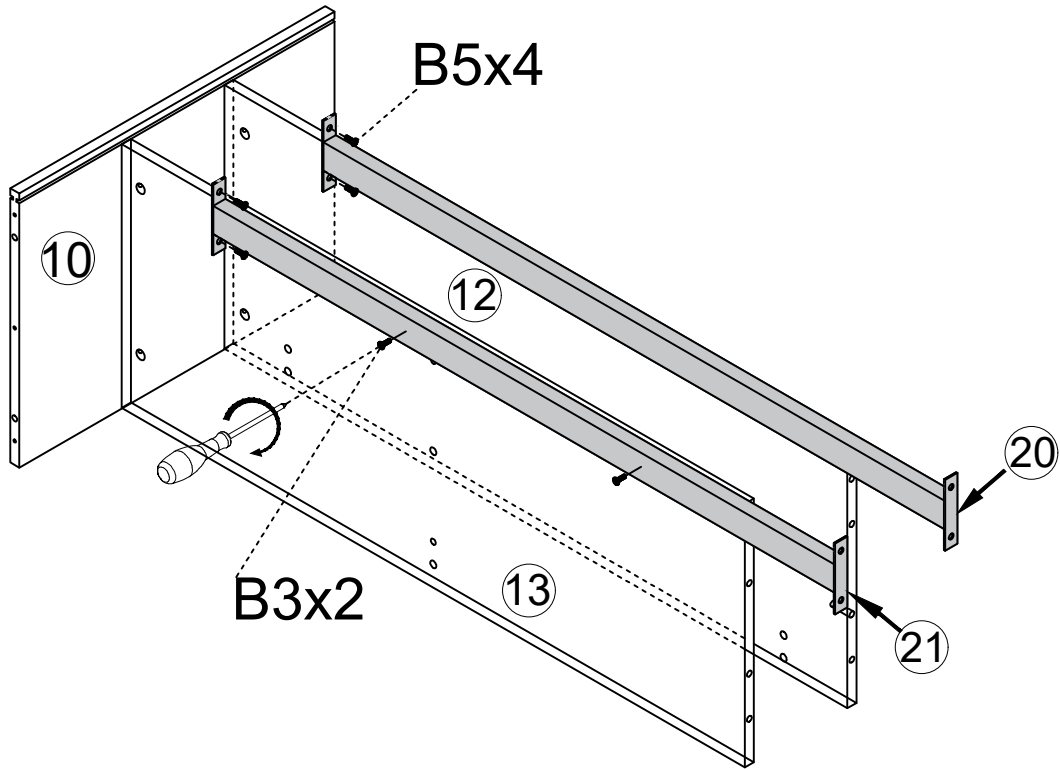


C1x2  
A2x2

# Assemble



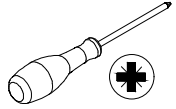
Step 8

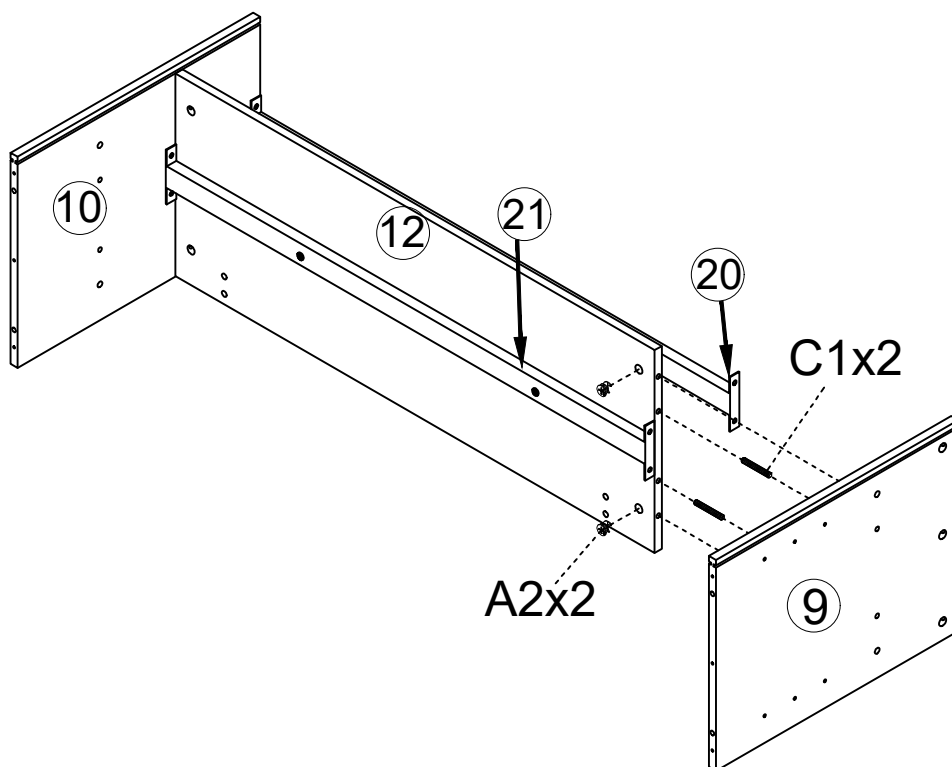
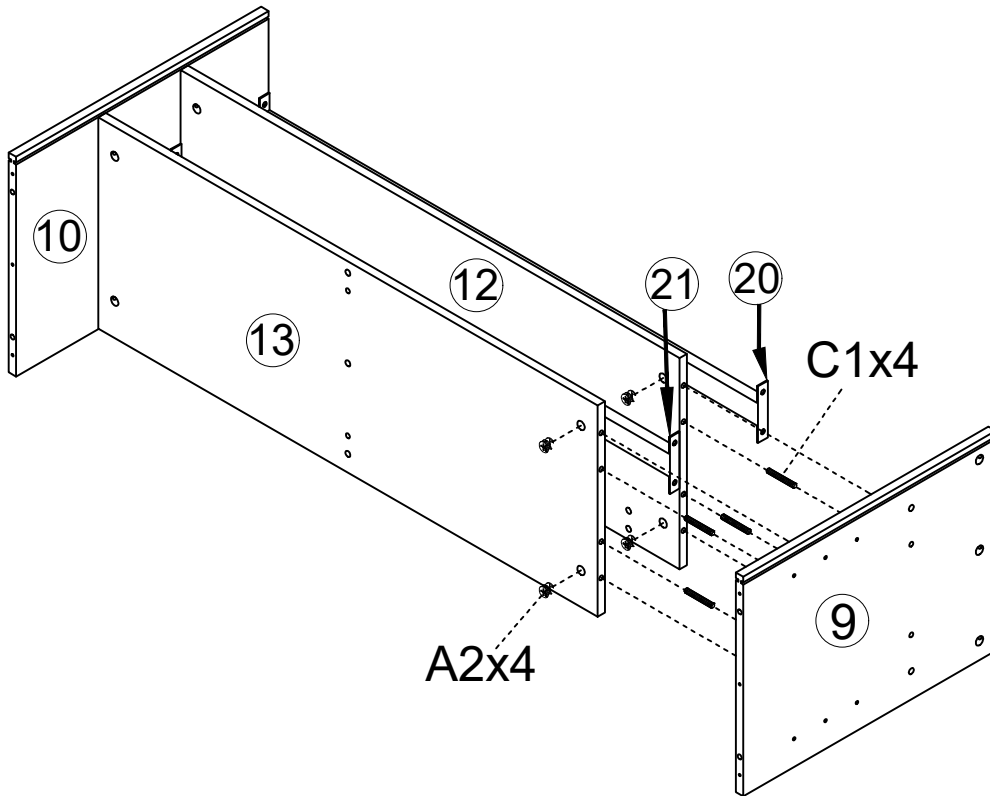
				
B3	2PCS	B5	4PCS	D



# Assemble


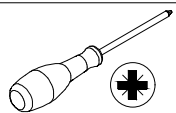
Step 9

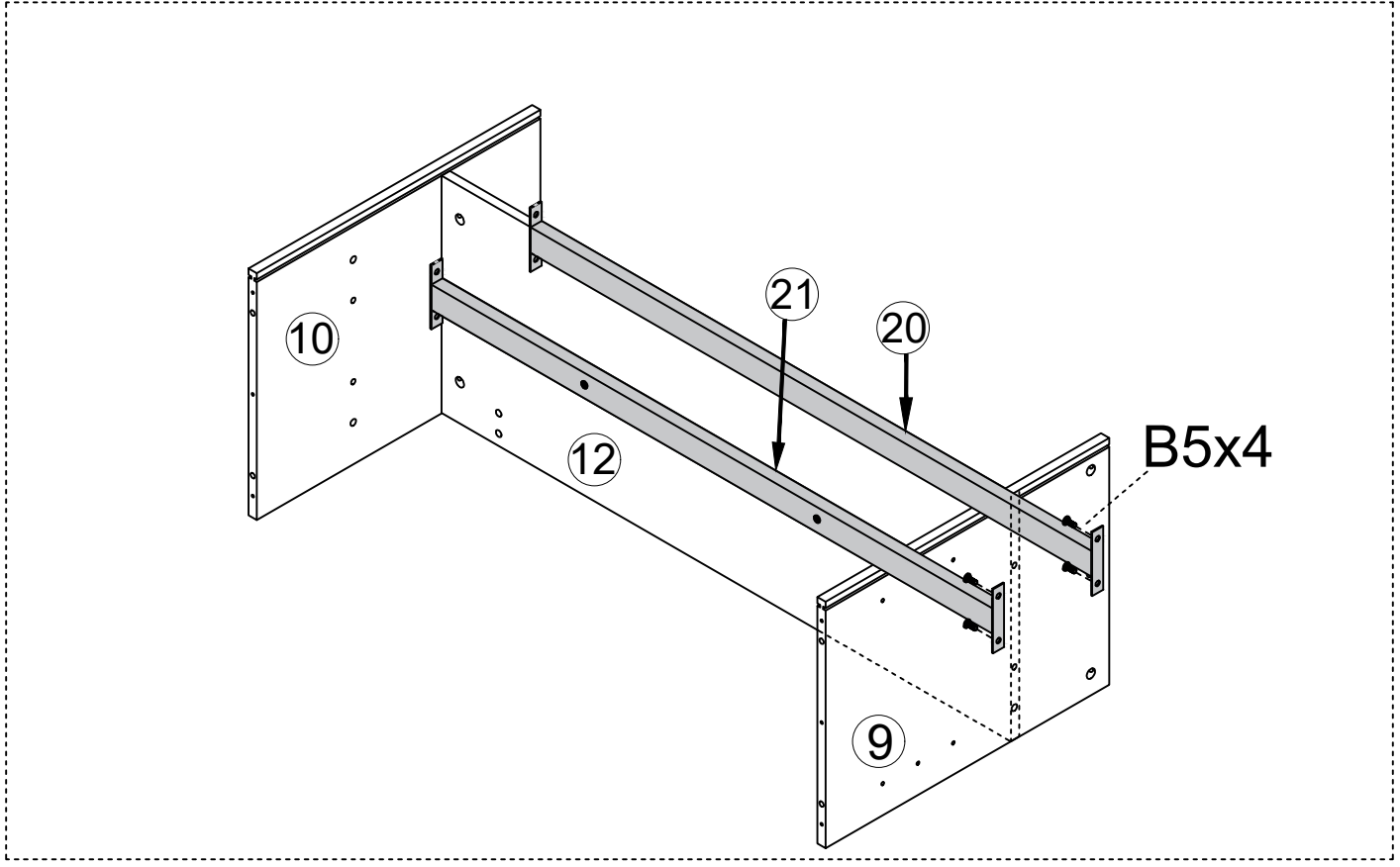
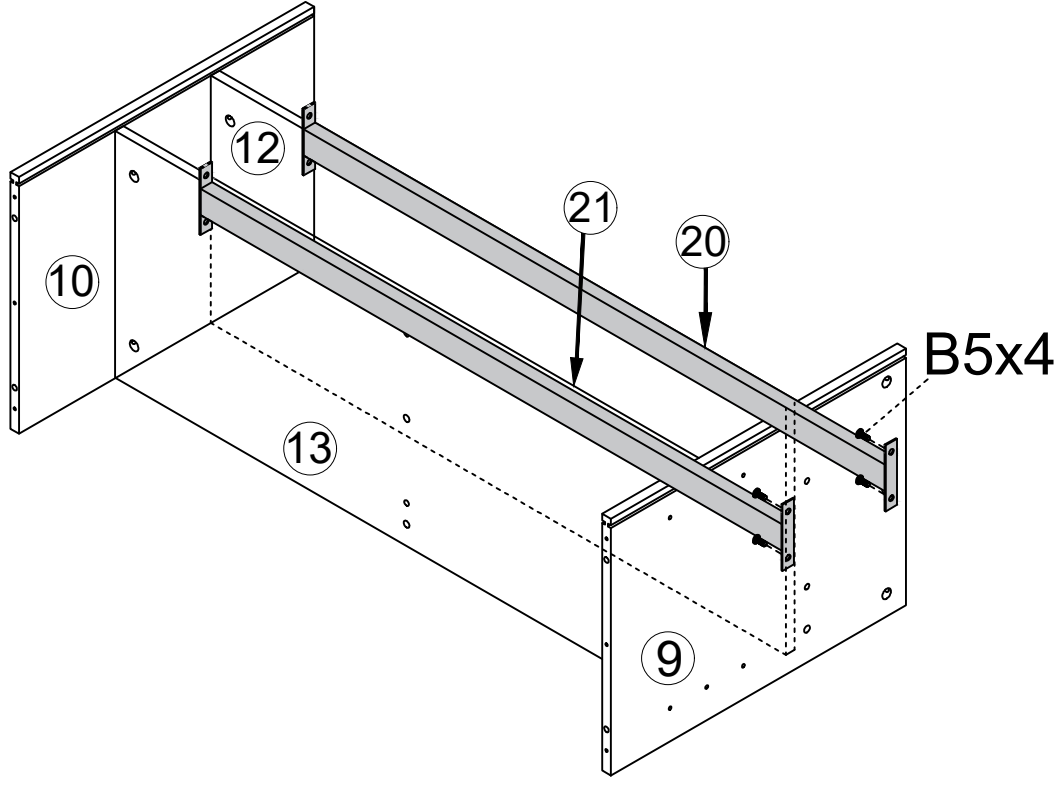
		
A2 4PCS	C1 4PCS	D



# Assemble

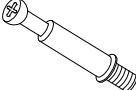


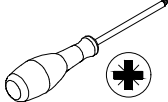
Step 10

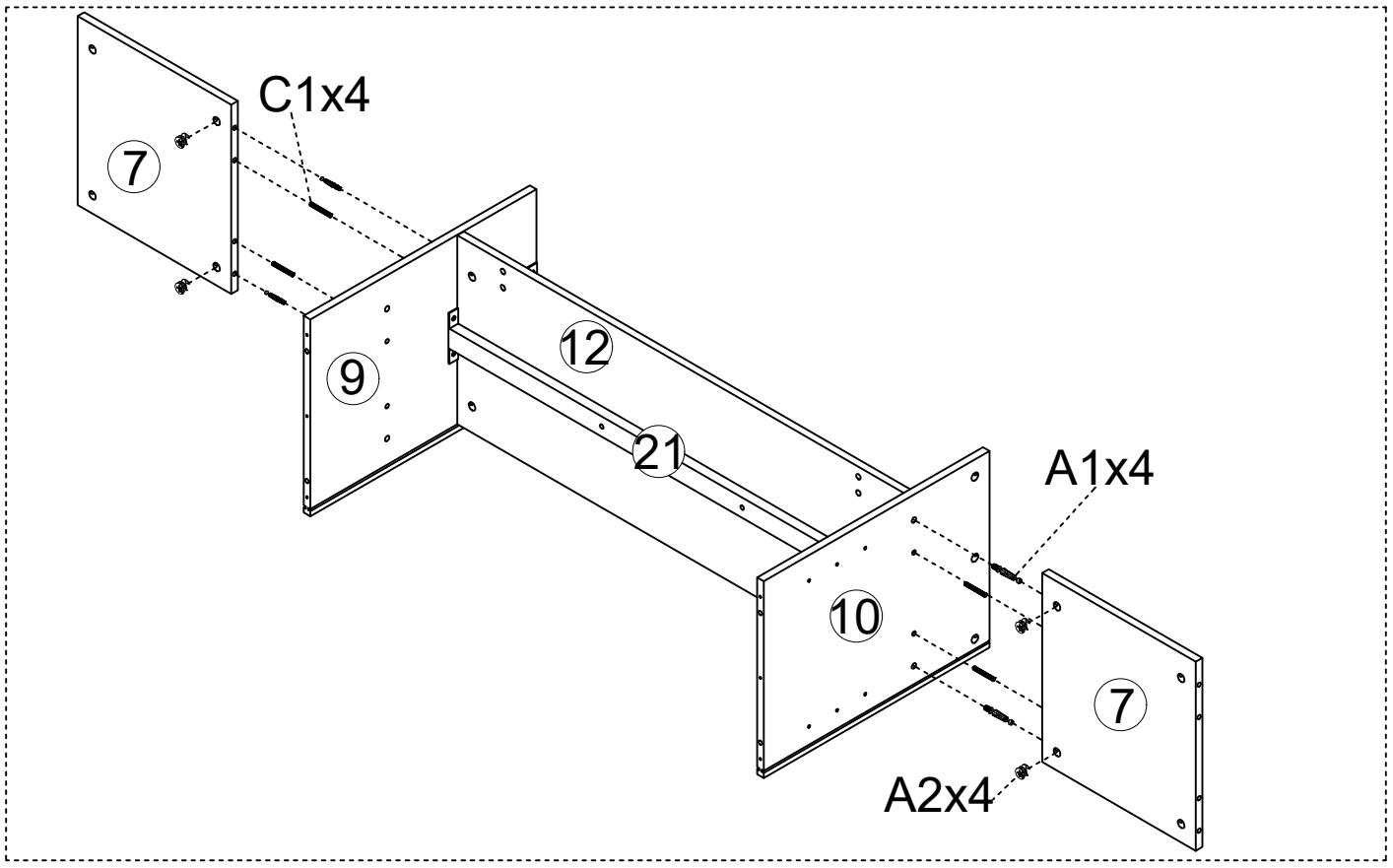
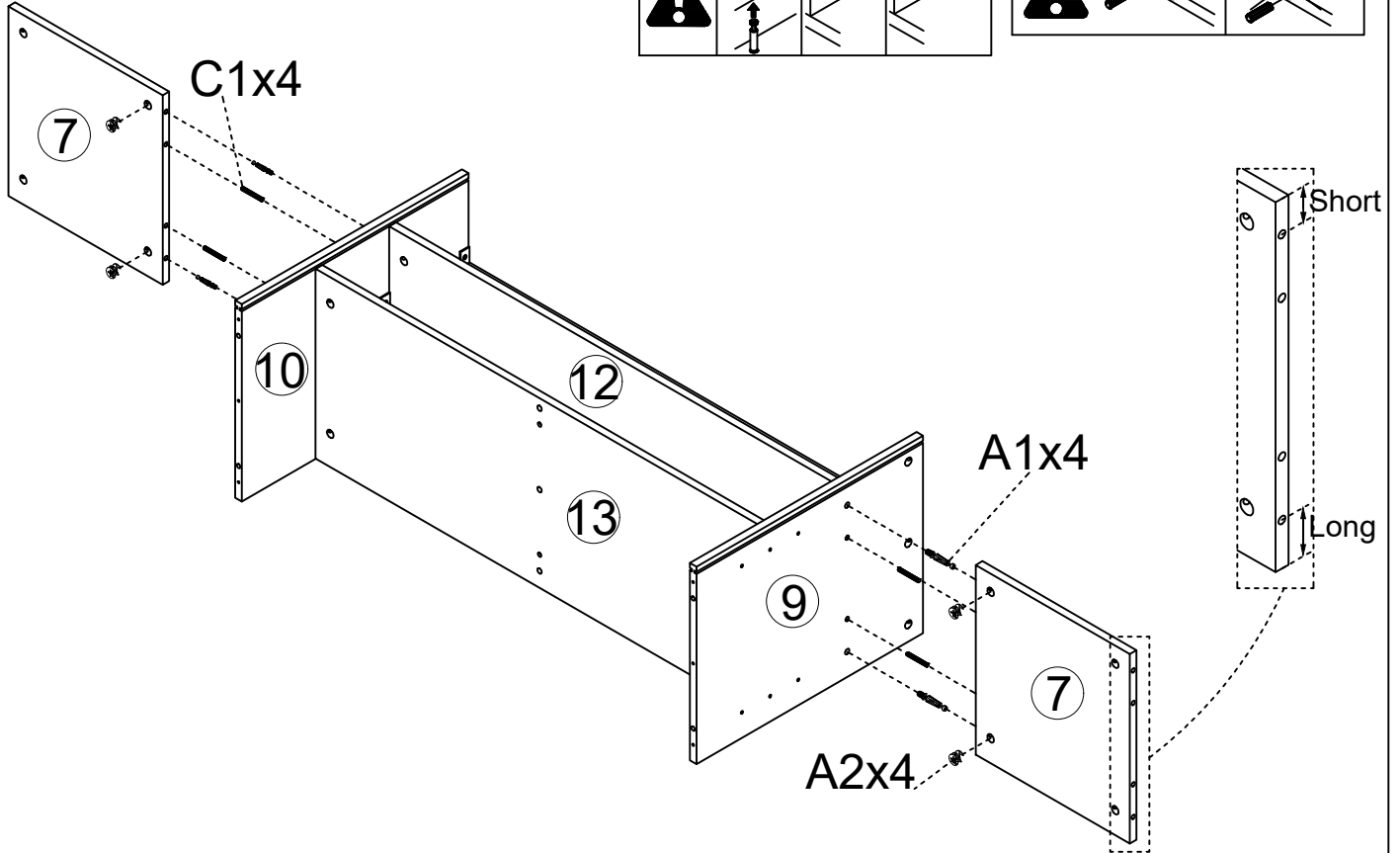
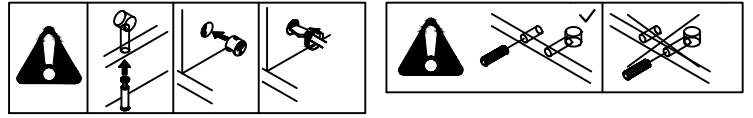
	
B5 4PCS	D



# Assemble

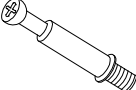


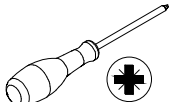
Step 11

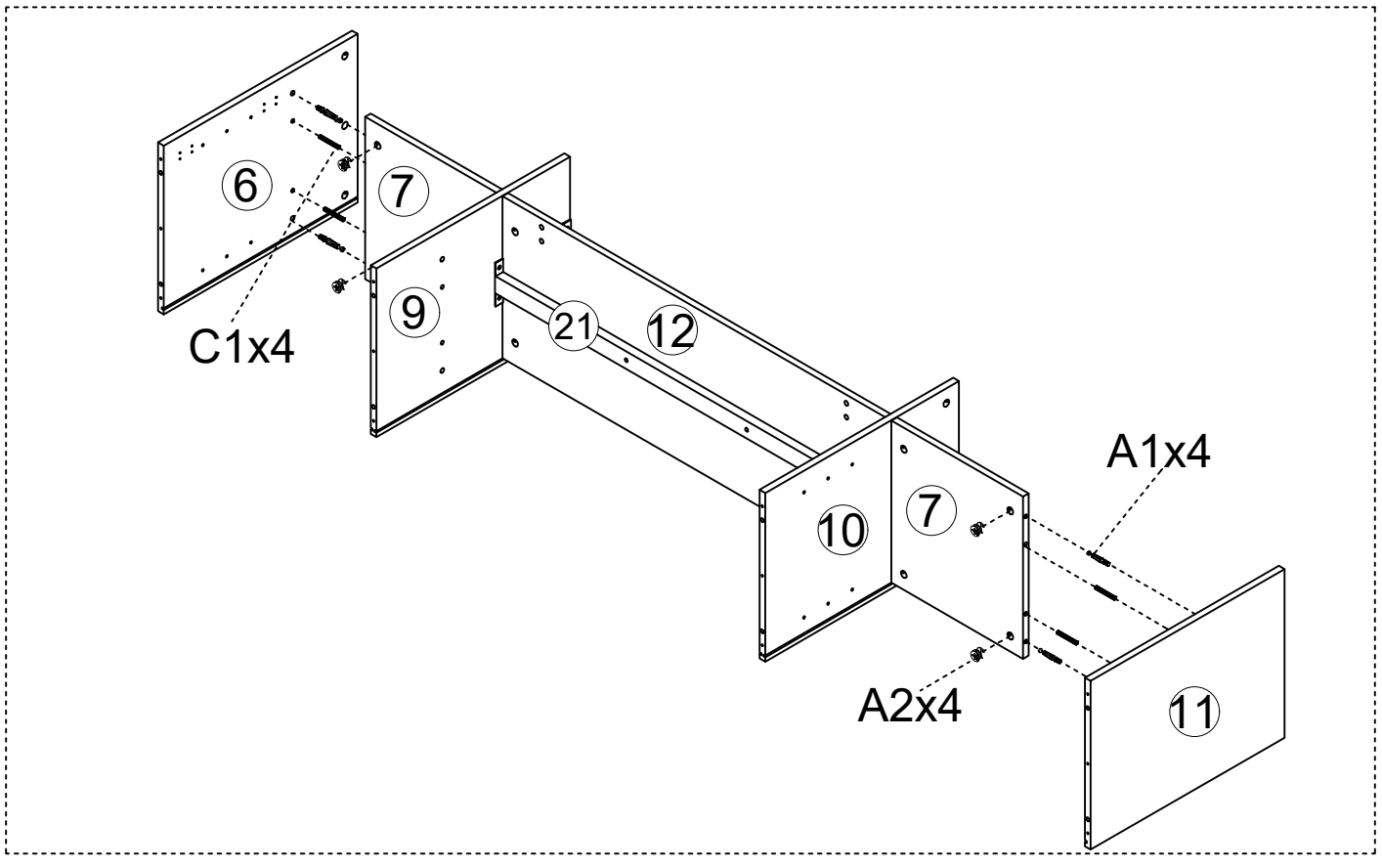
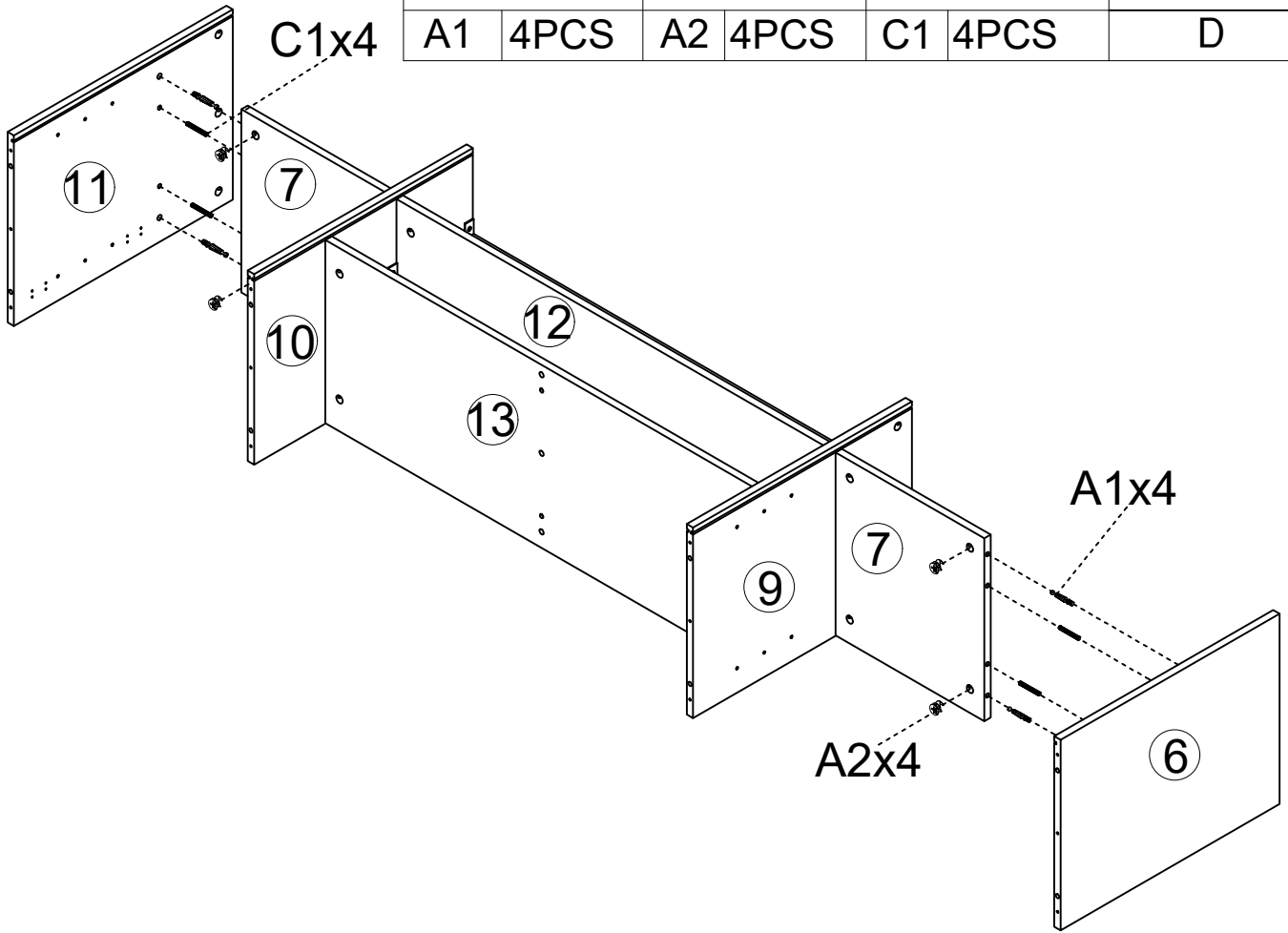
			
A1 4PCS	A2 4PCS	C1 4PCS	D



# Assemble

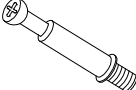


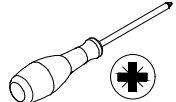
Step 12

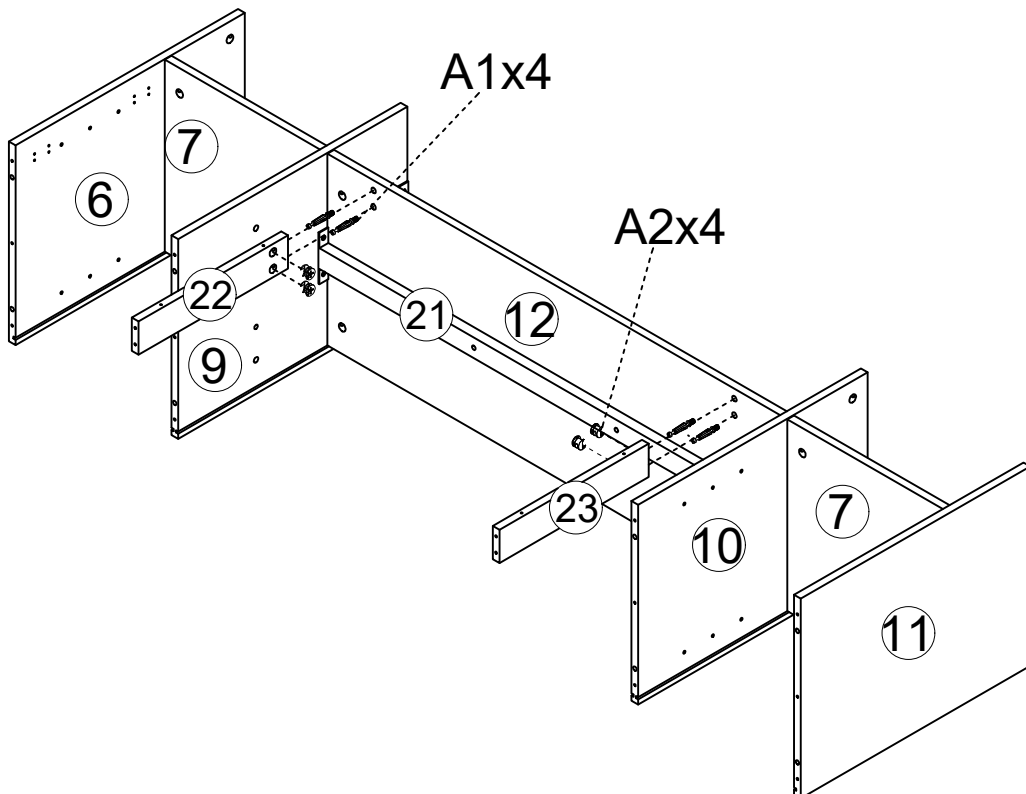
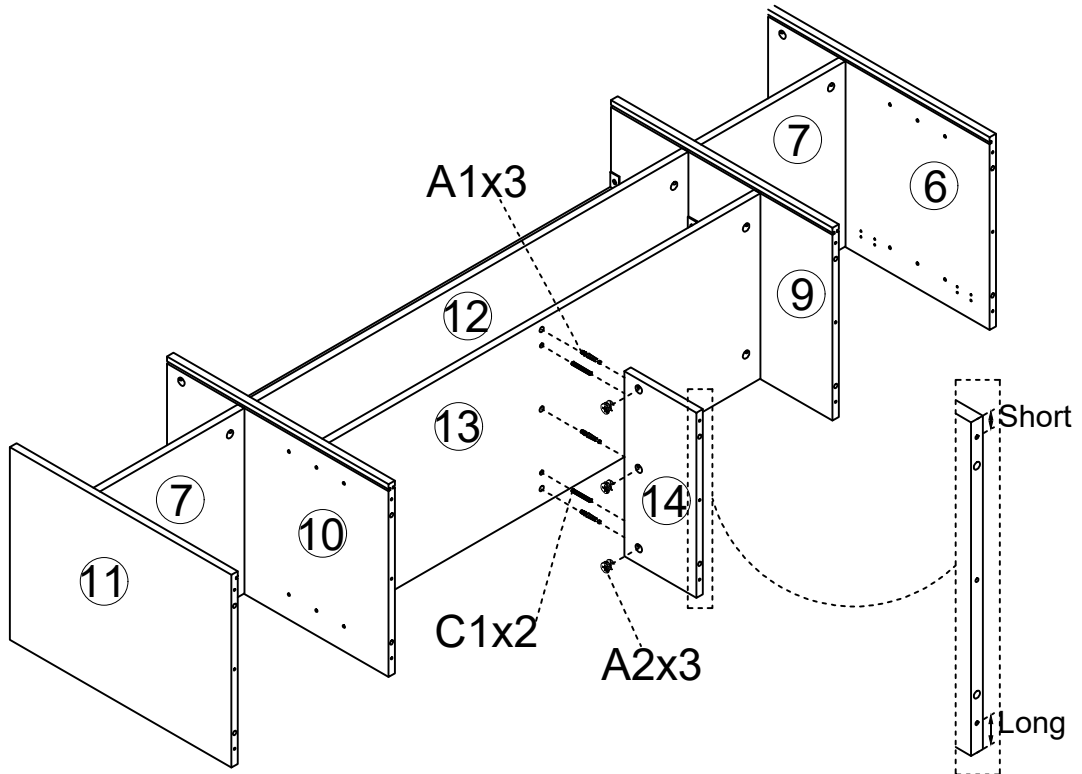
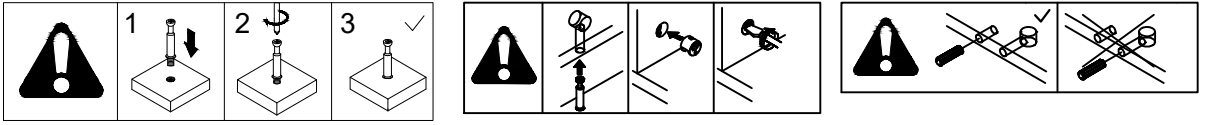
			
A1 4PCS	A2 4PCS	C1 4PCS	D



# Assemble

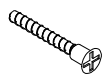

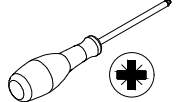
Step 13

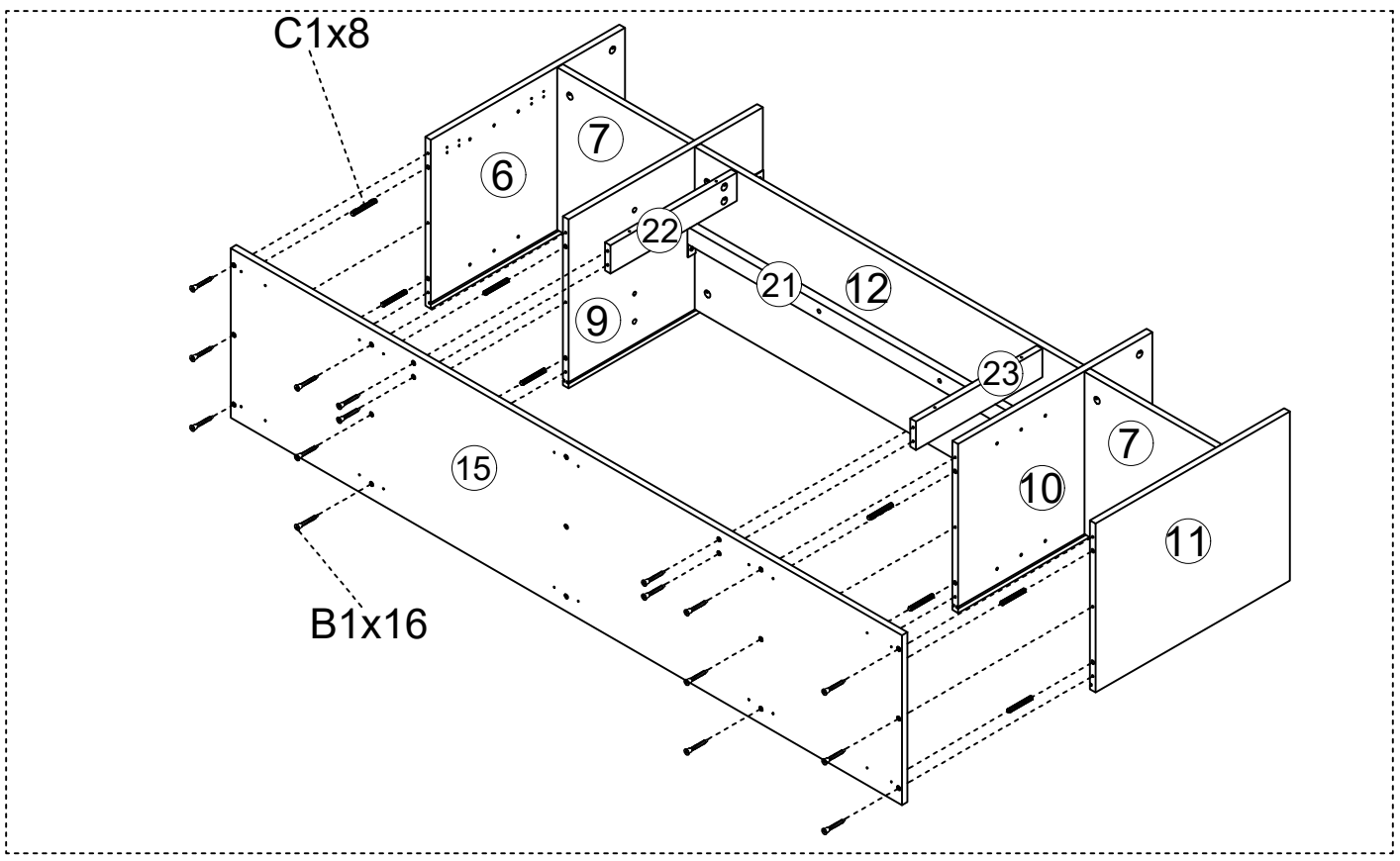
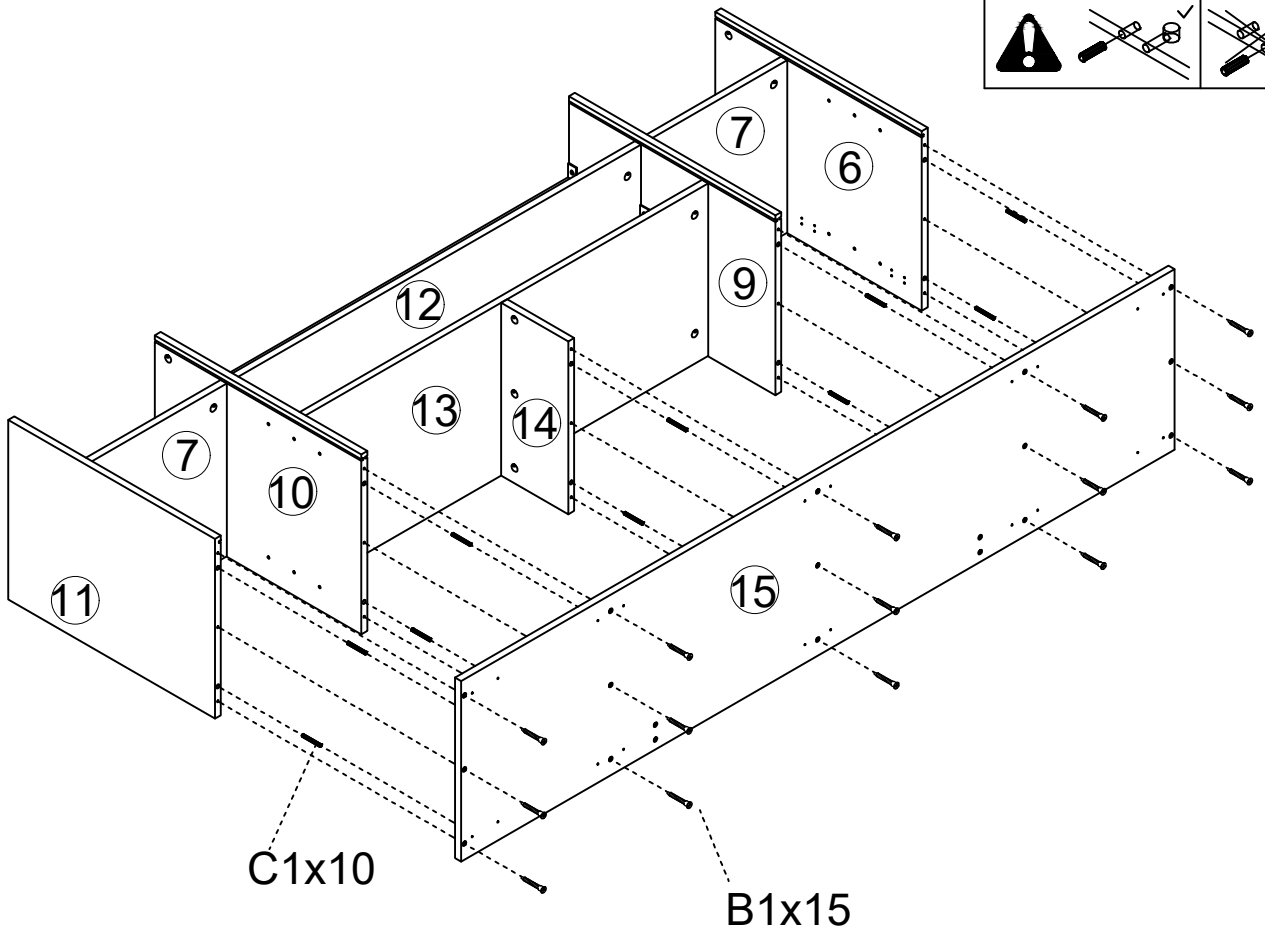
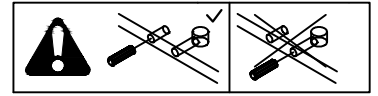
			
A1 4PCS	A2 4PCS	C1 2PCS	D



# Assemble


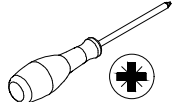
Step 14

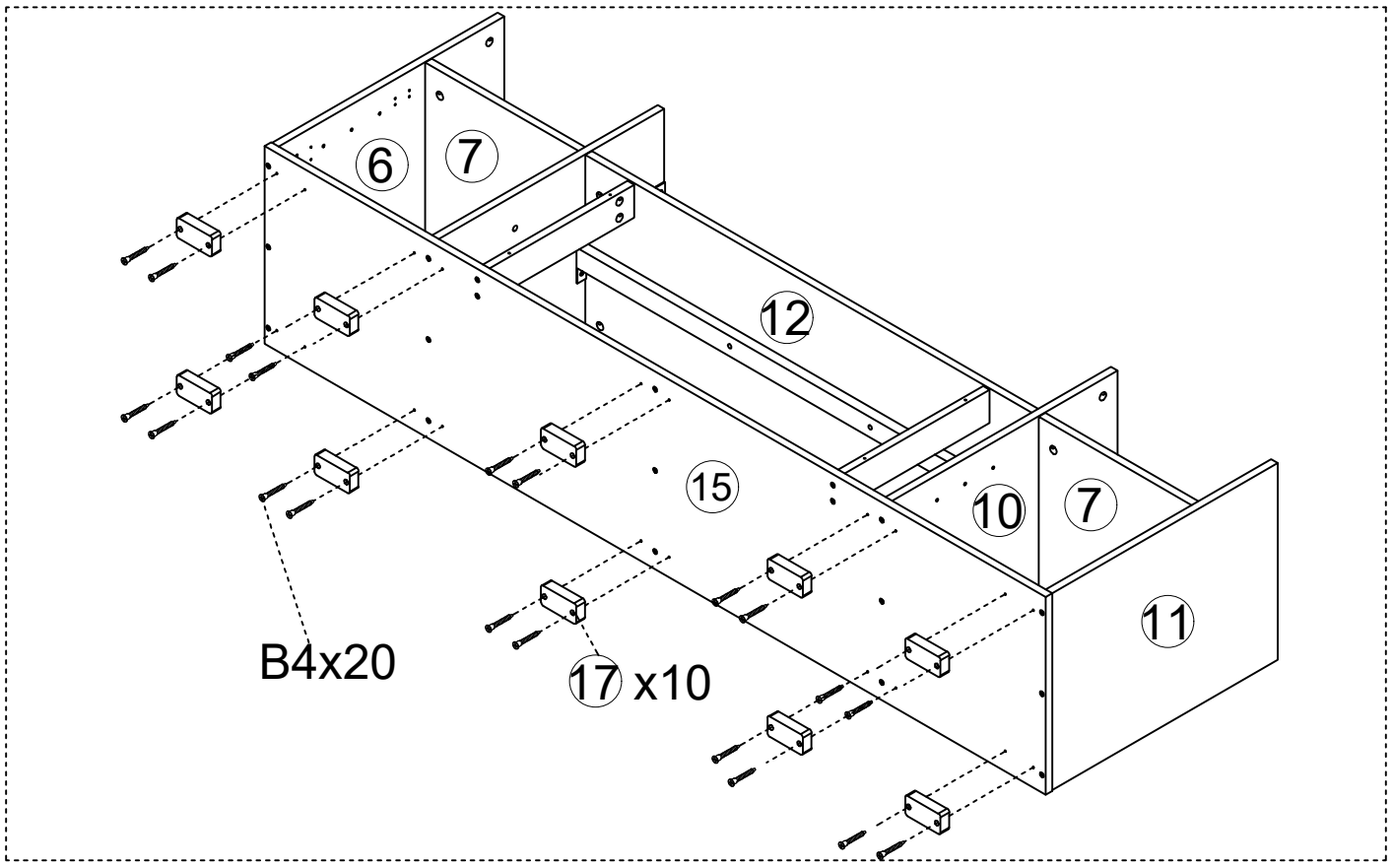
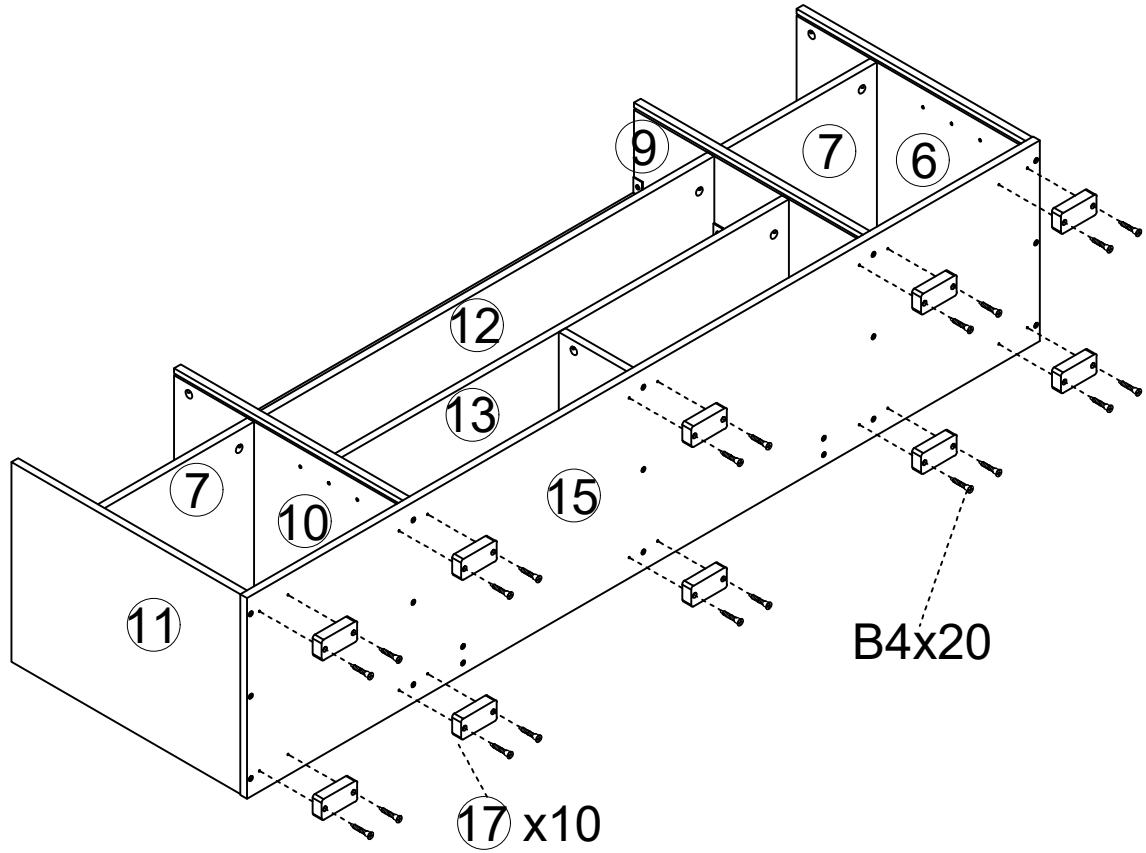
		
B1 16PCS	C1 10PCS	D



# Assemble

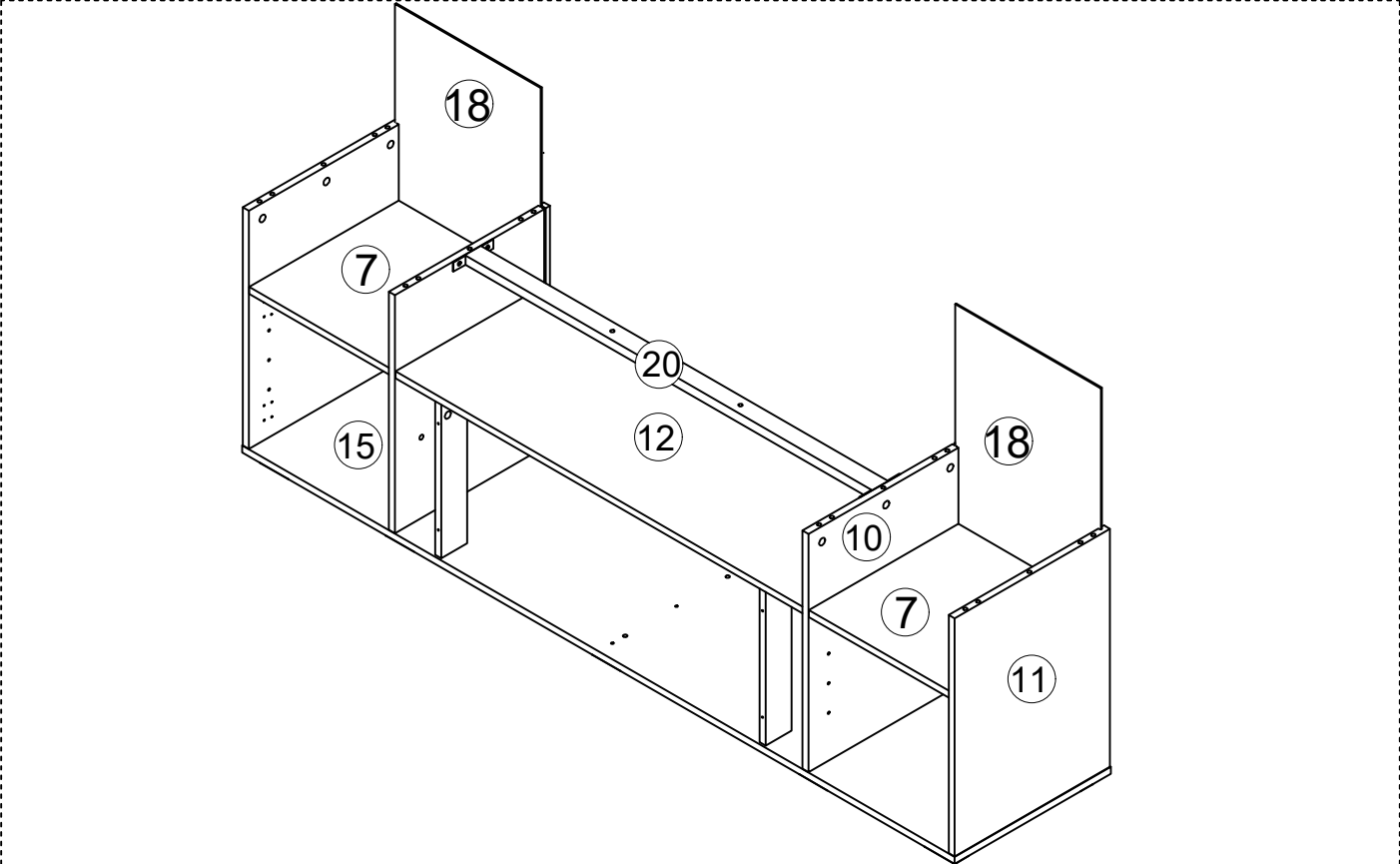
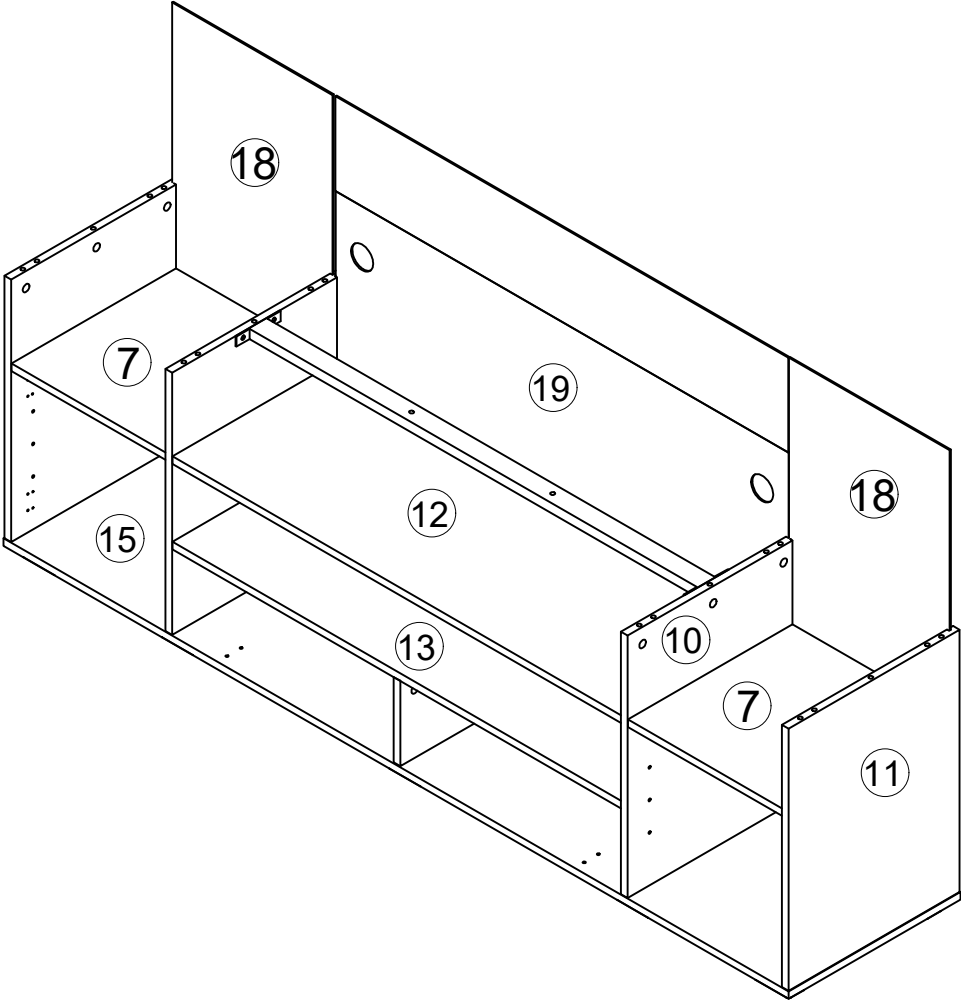
Step 15

	
B4	20PCS
D	






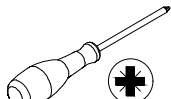
# Assemble

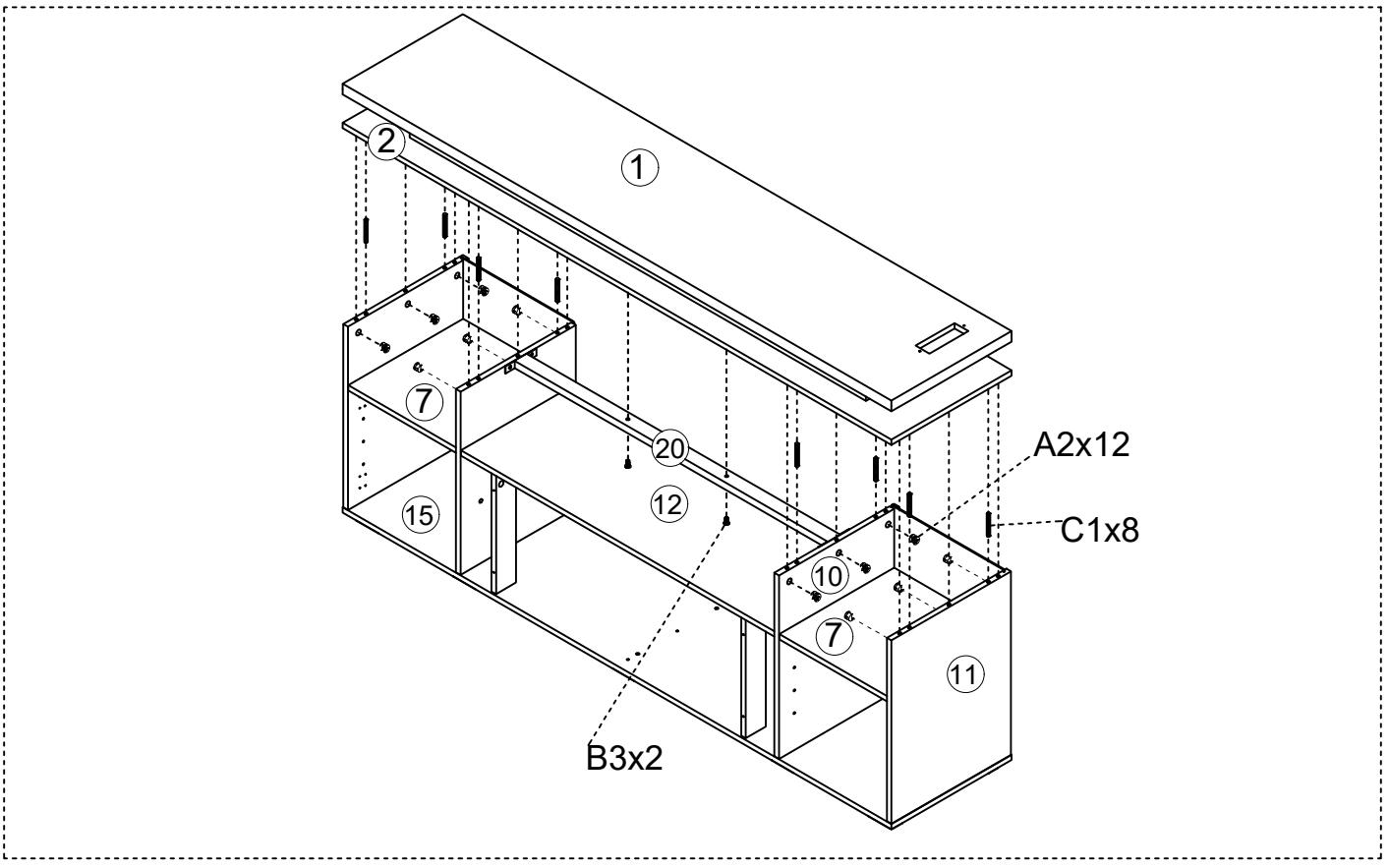
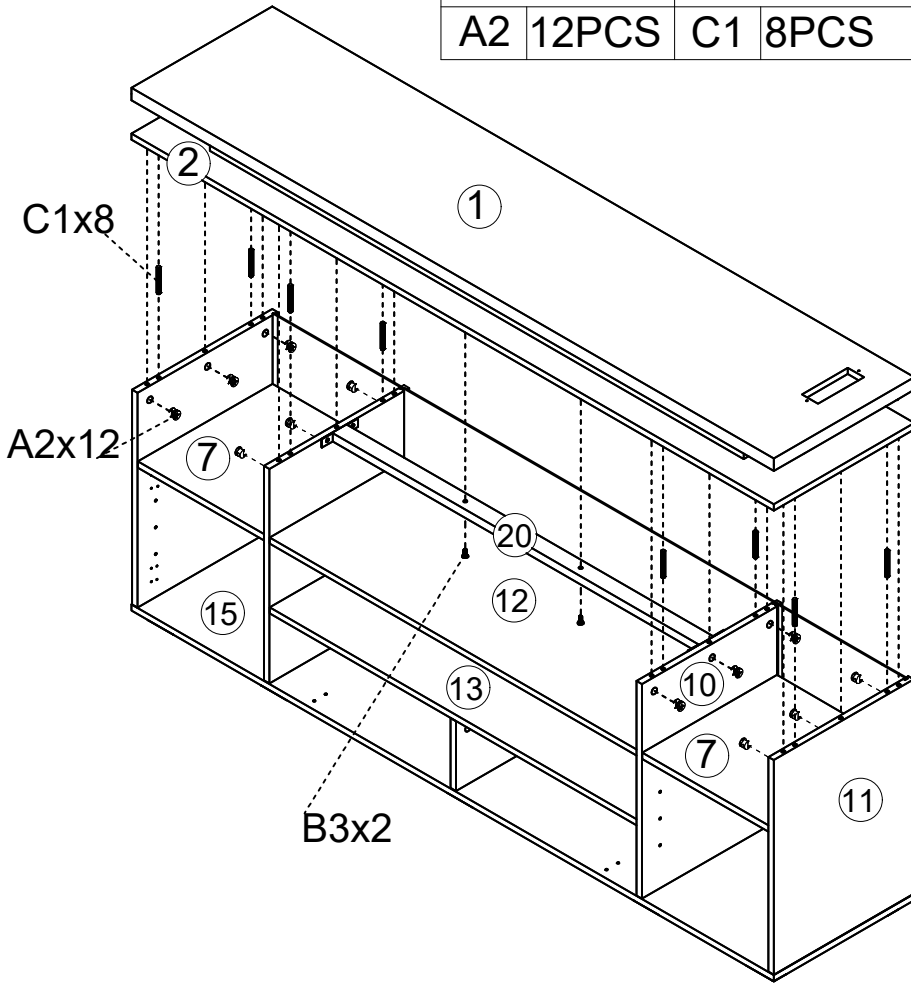
Step 16



# Assemble

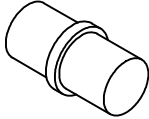
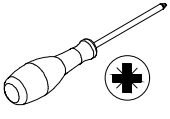
Step 17

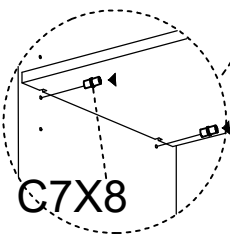
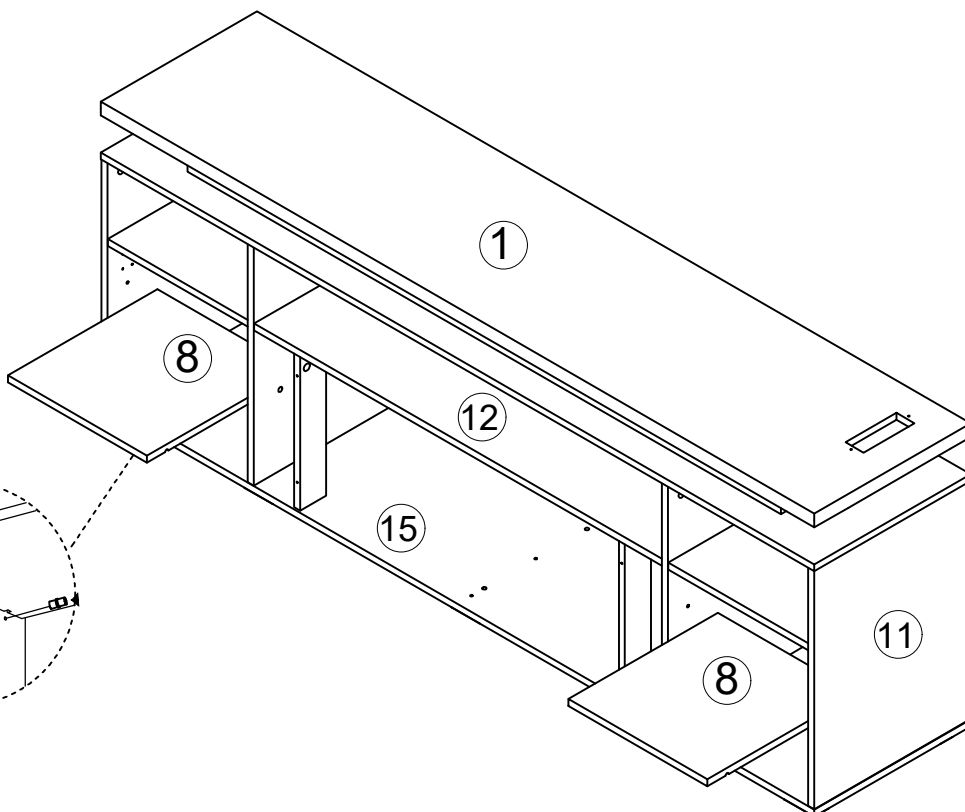
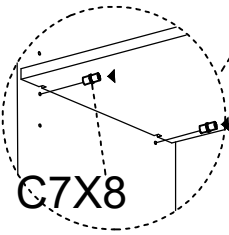
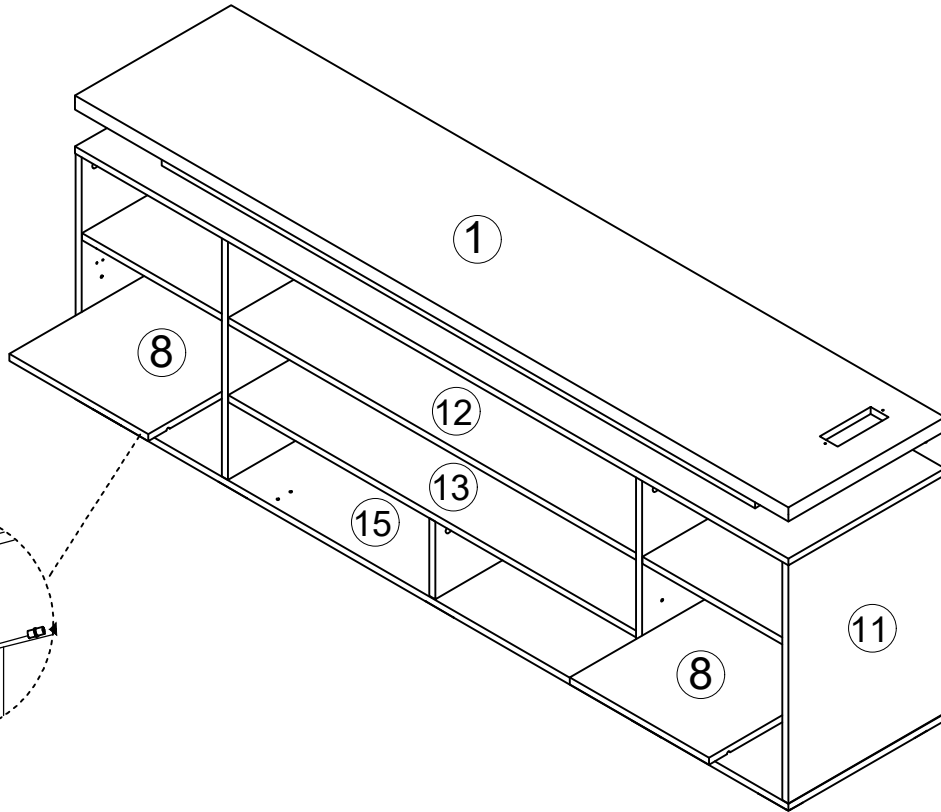
			
A2 12PCS	C1 8PCS	B3 2PCS	D



# Assemble



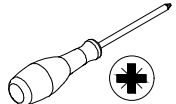
Step 18

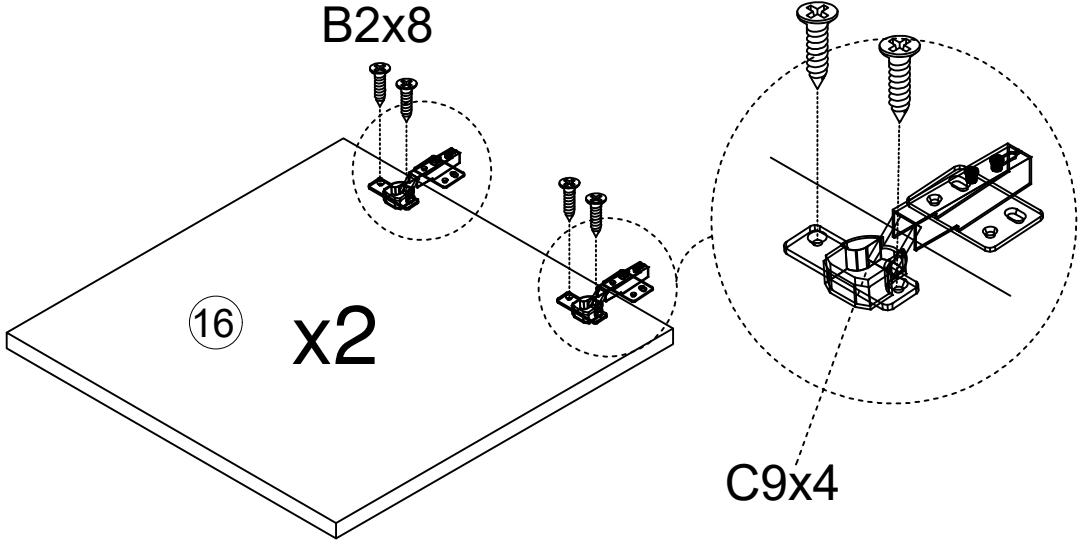
	
C7	8PCS
D	



# Assemble


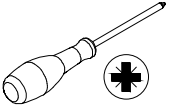
Step 19

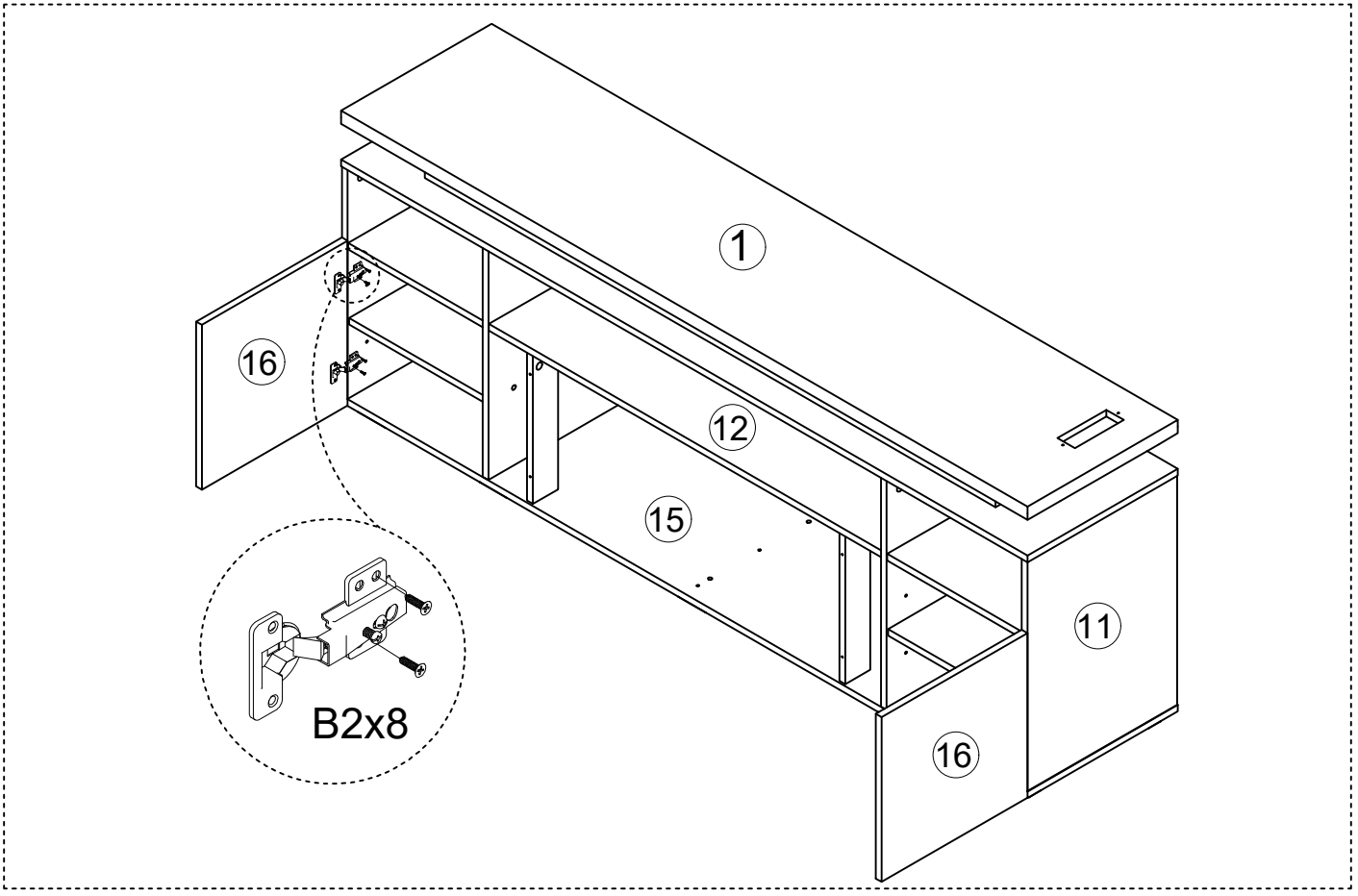
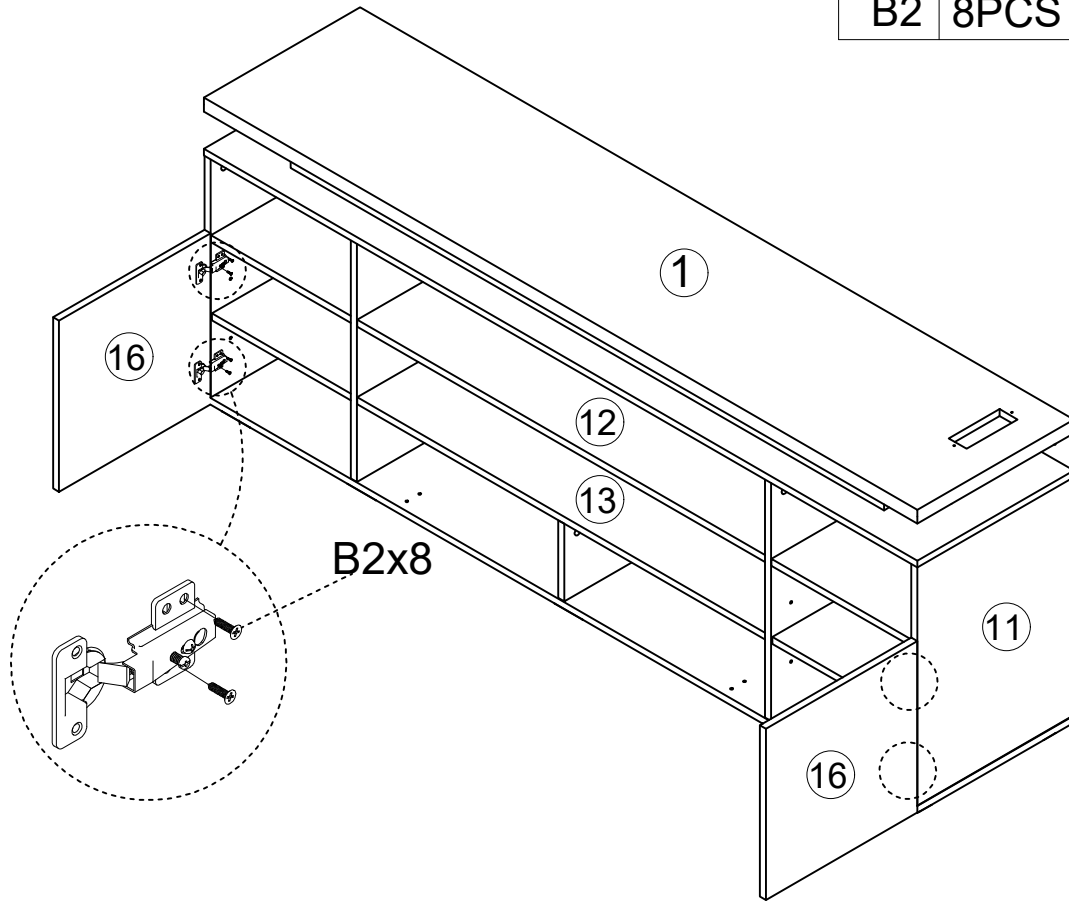
				
B2	8PCS	C9	4PCS	D



# Assemble



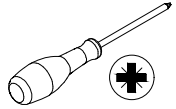
Step 20

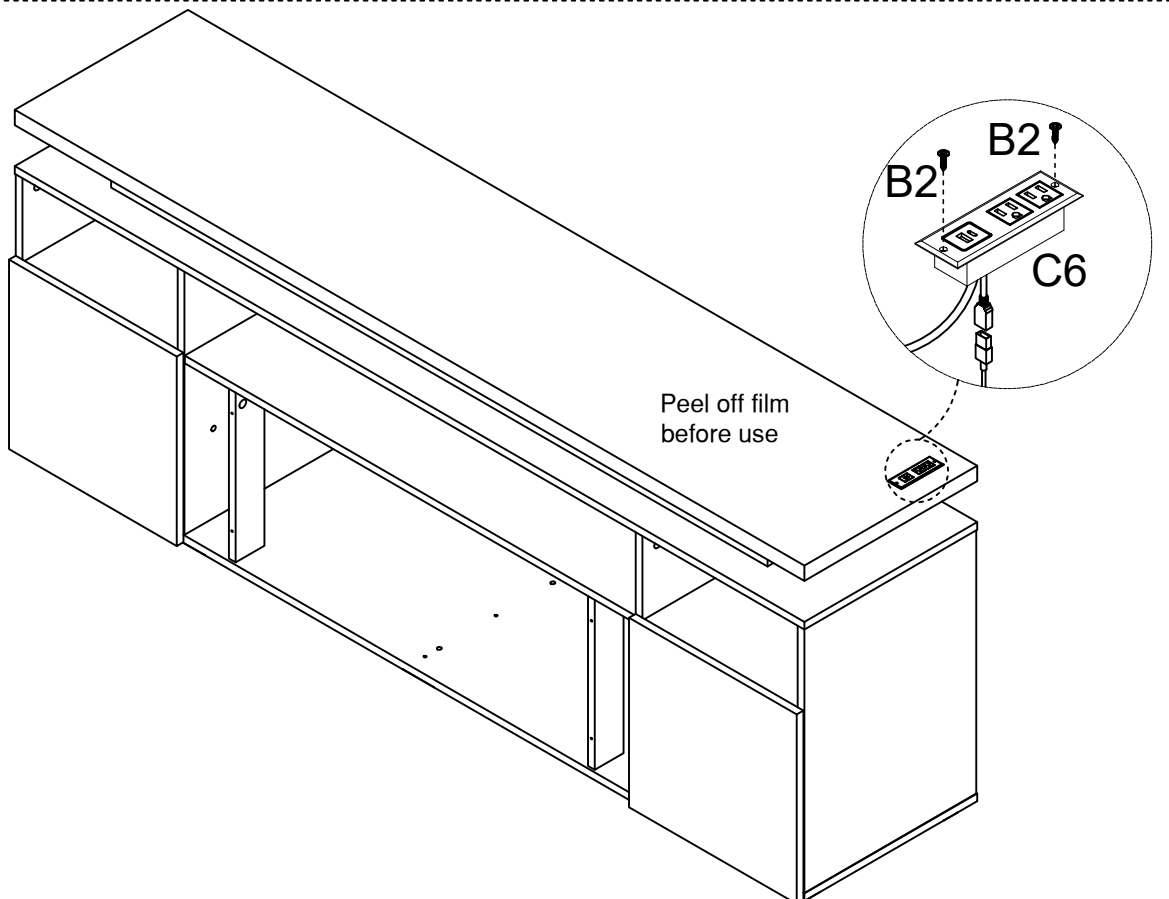
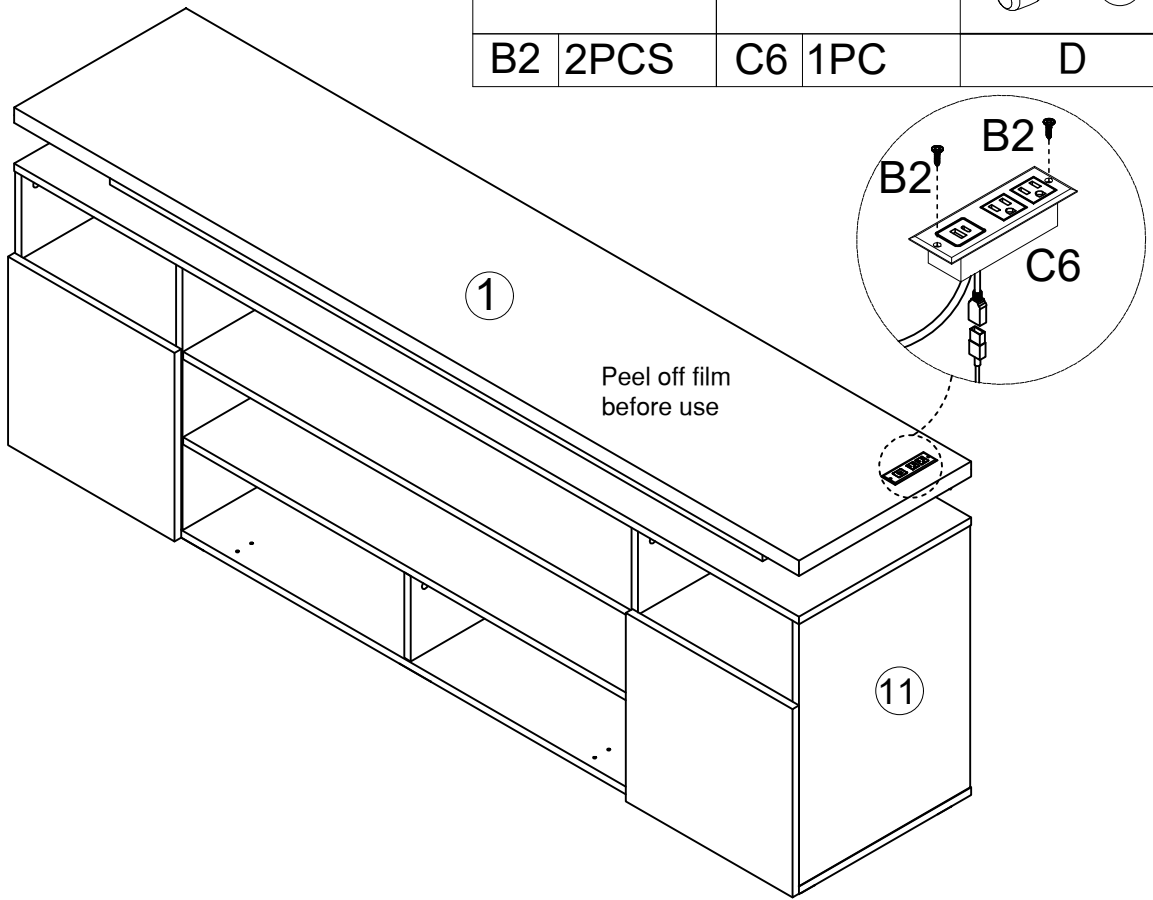
	
B2 8PCS	D



# Assemble

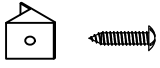
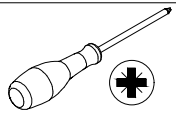
Step 21

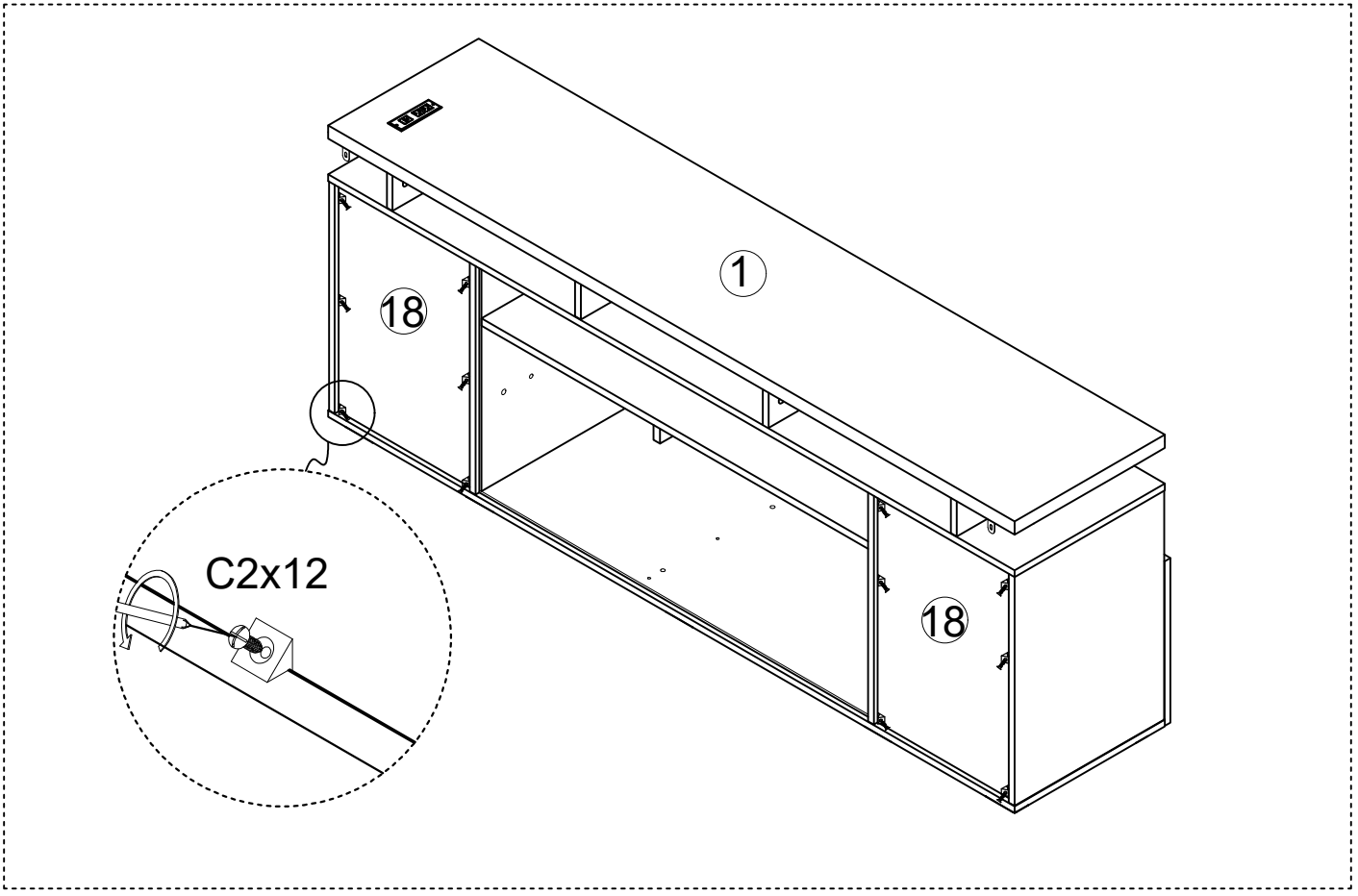
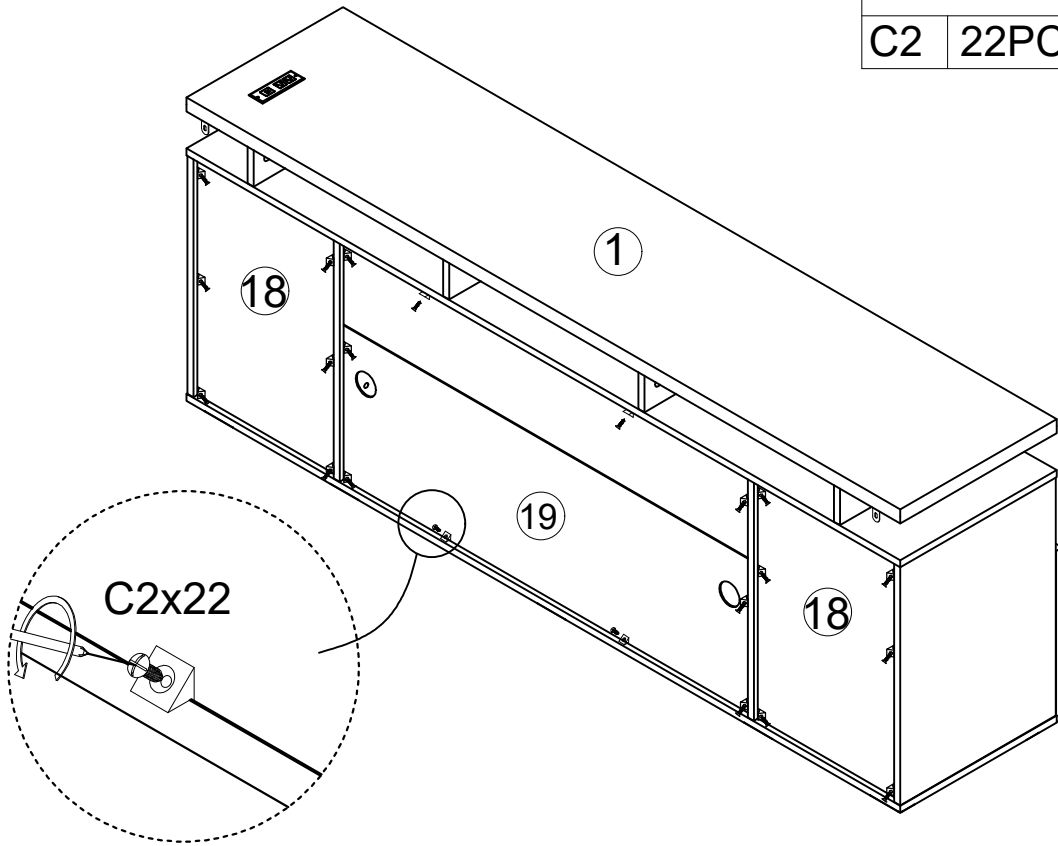
		
B2 2PCS	C6 1PC	D



# Assemble


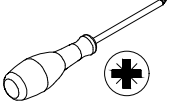
Step 22

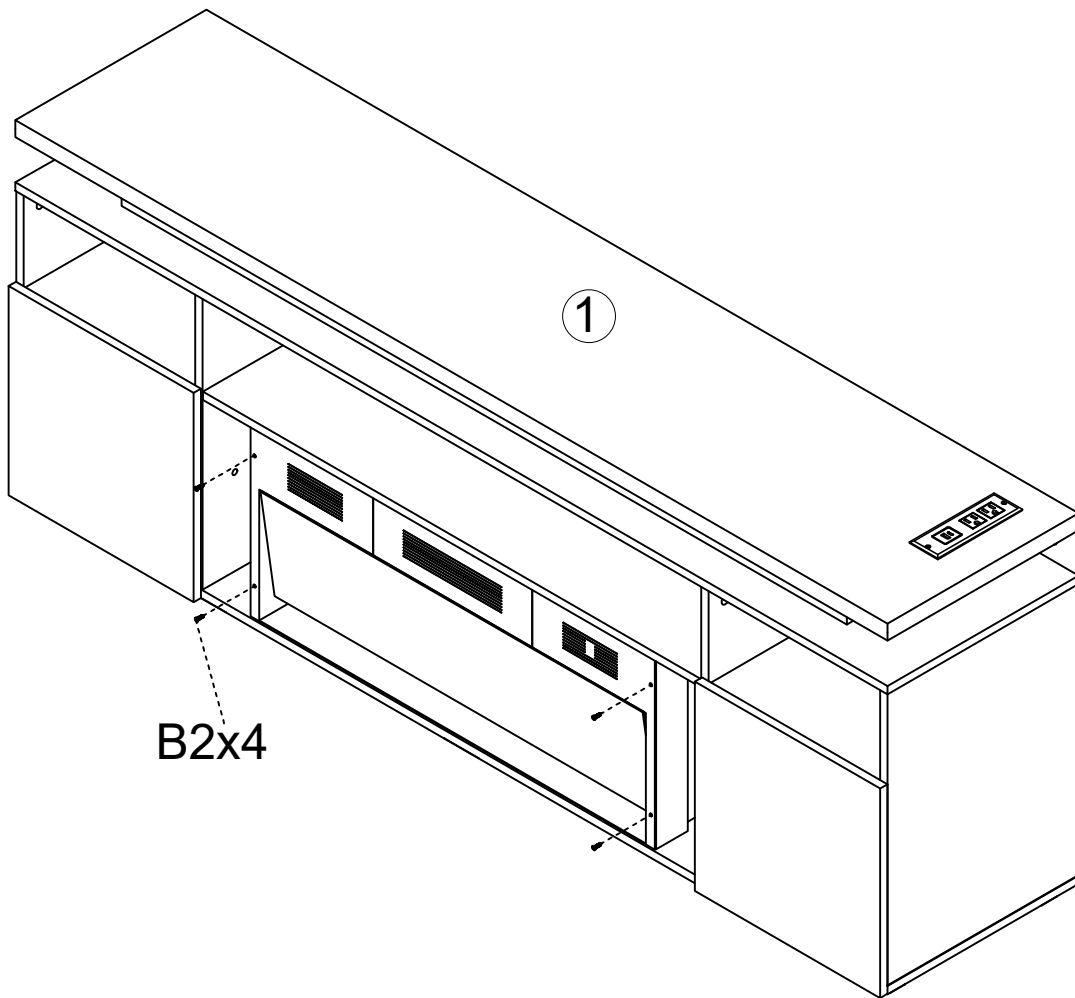
		
C2	22PCS	D



# Assemble

Step 23

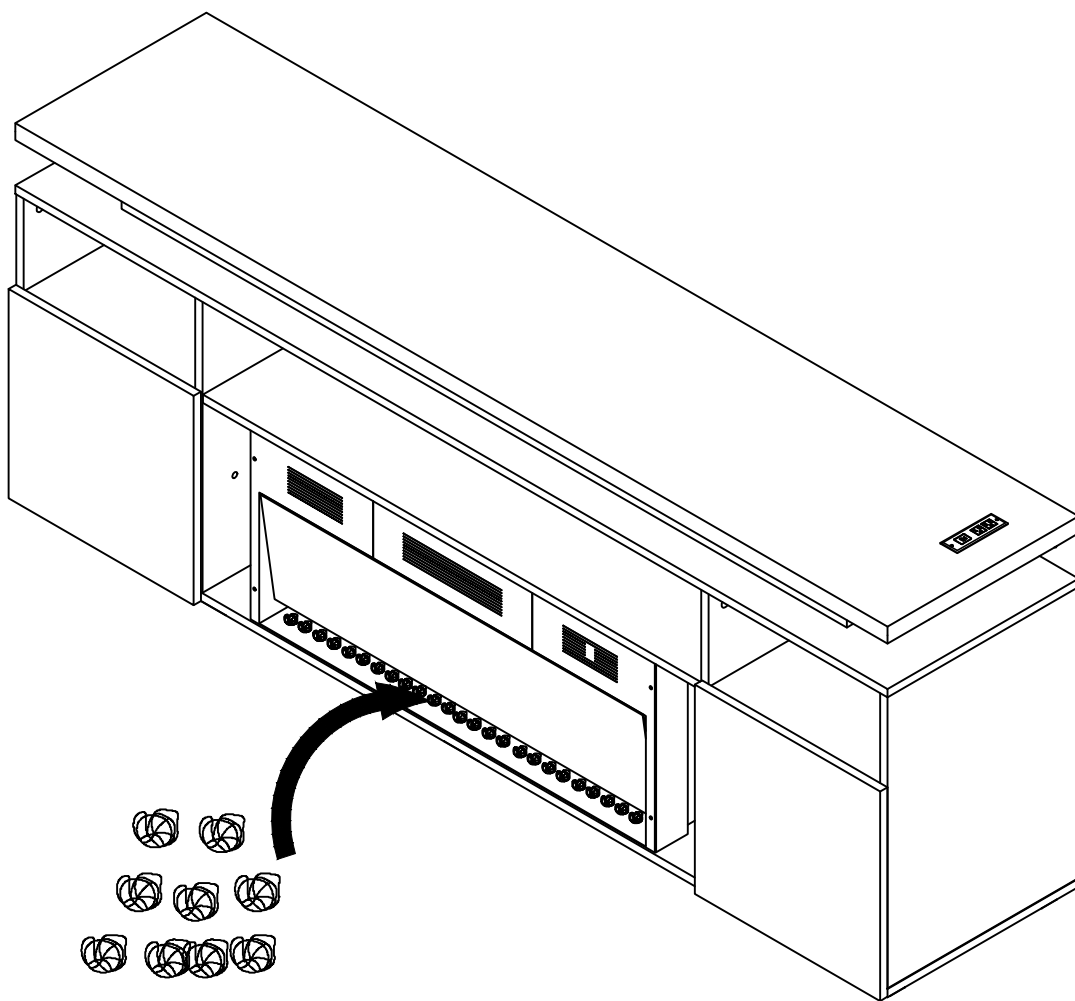
		
B2	4PCS	D



# Assemble

## Step 24

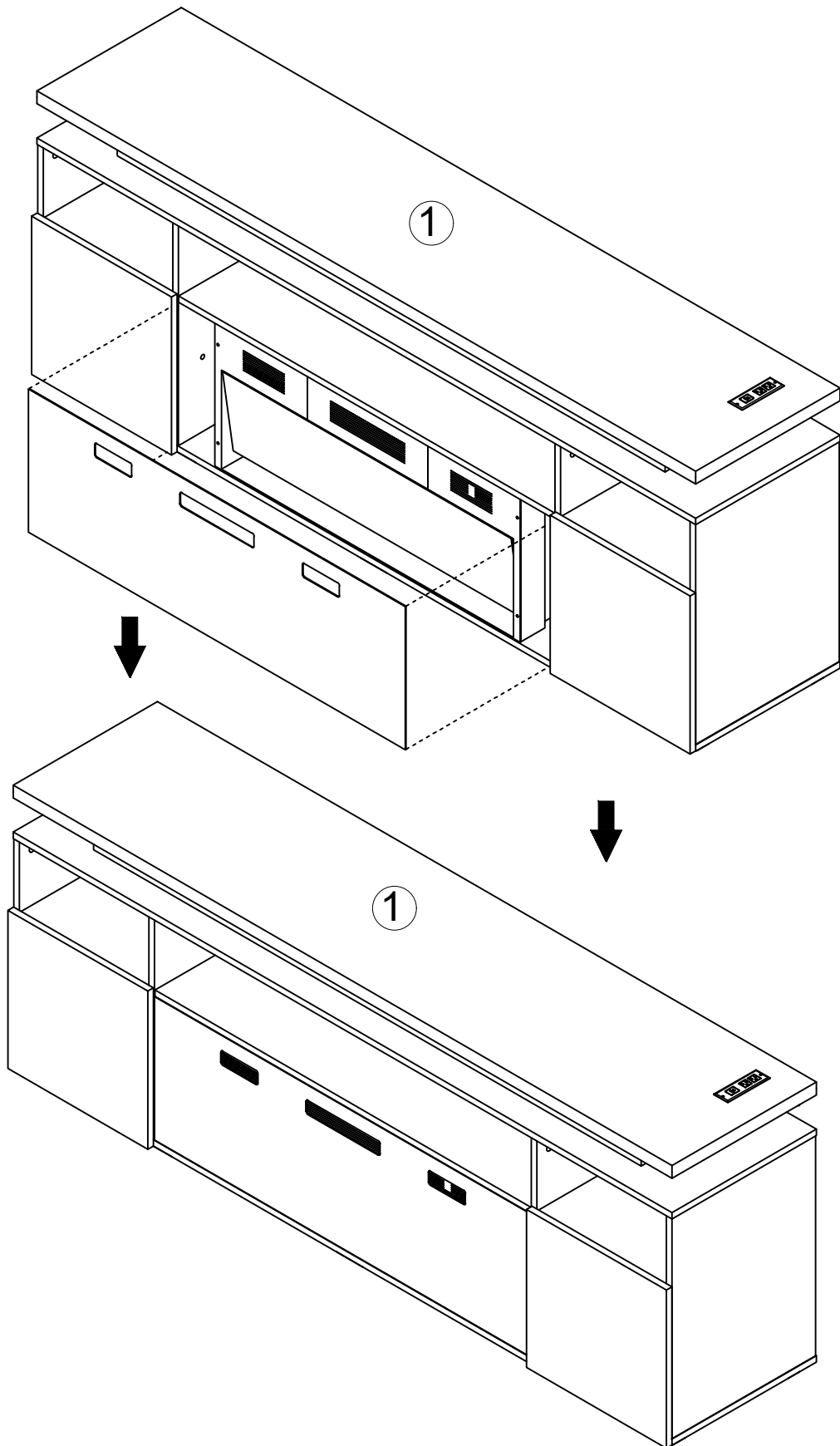
To assemble a cabinet **without** a fireplace, skip this step



Put in crystal stones


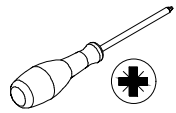
# Assemble

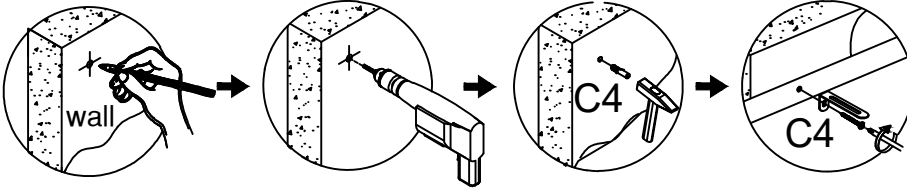
## Step 25


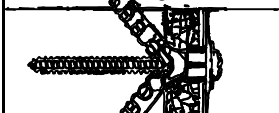



# Assemble

## Step 26

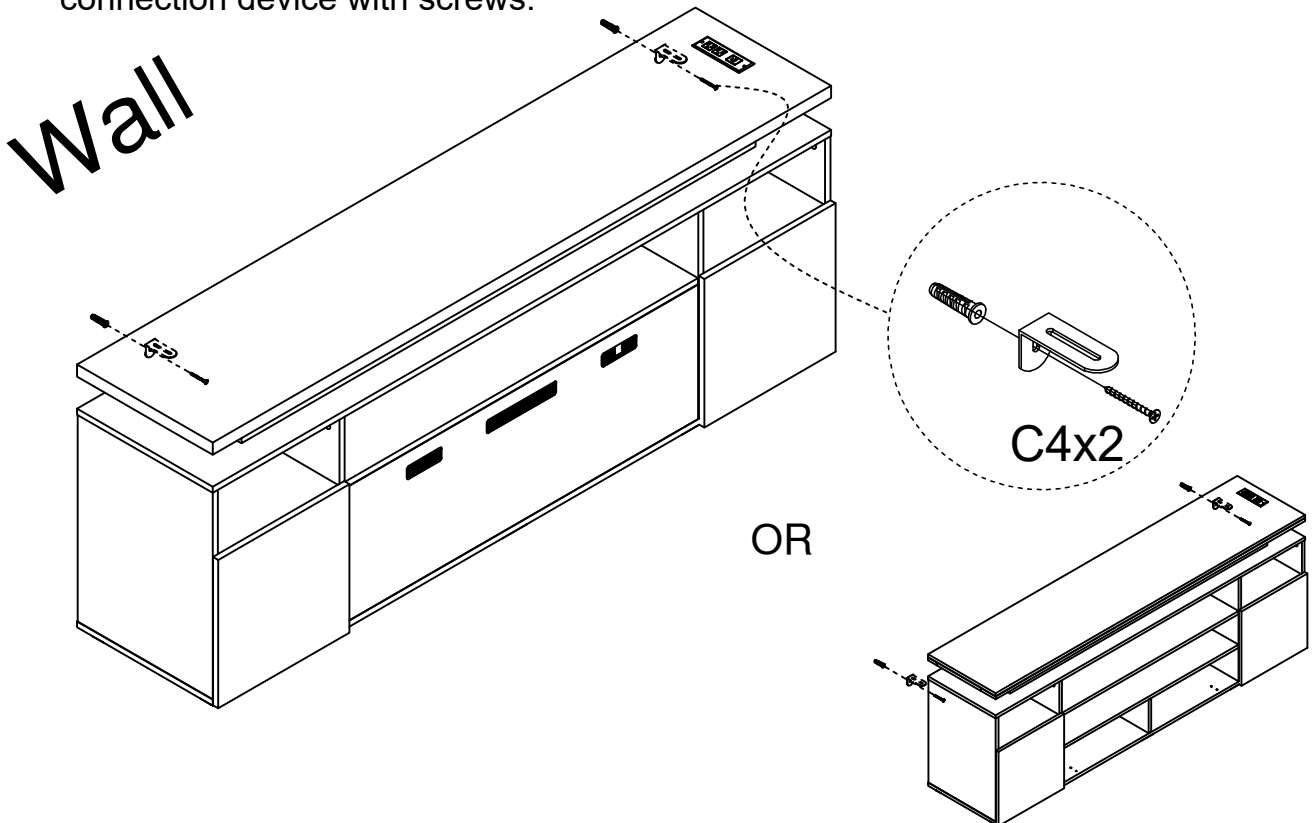
		
C4	2PCS	D



A solid wall	B cavity wall	C solid wood
		
Ø 8mm (5/16°)	Ø 8mm (5/16°)	Ø 3mm (Ø 1/8°)

**⚠ Warning:** If you overturn the furniture, it may cause serious or fatal crushing injuries. We have a wall connection device attached, please use it to hold the furniture following these instructions.

1. Mark the corresponding hole positions where you want to place the furniture;
2. Use a impact drill to drill holes and pay attention to avoid wires and water pipes;
3. Knock the expansion pipes into the wall holes;
4. Place the furniture in the corresponding position and tighten the wall connection device with screws.

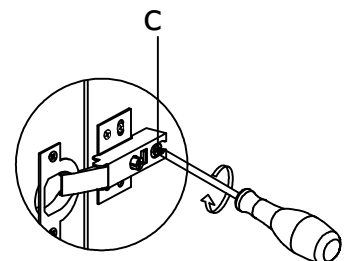
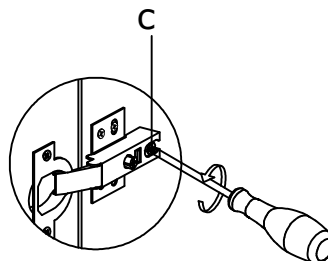
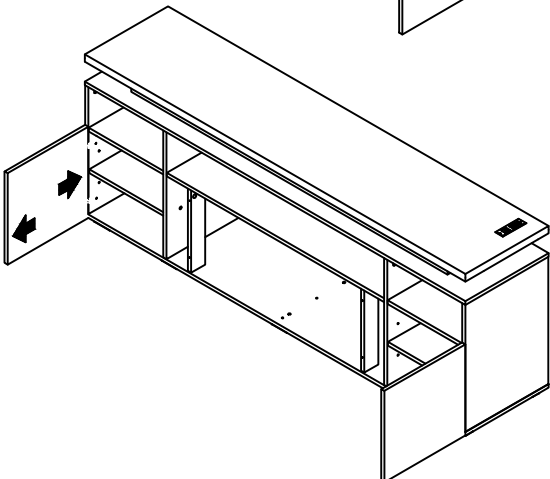
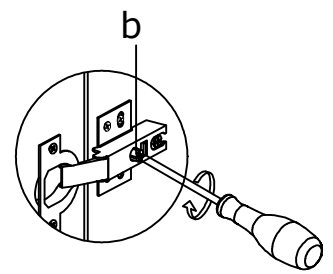
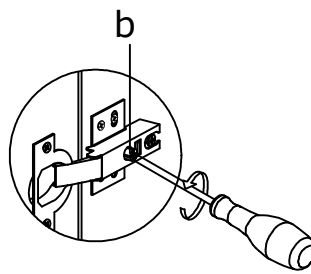
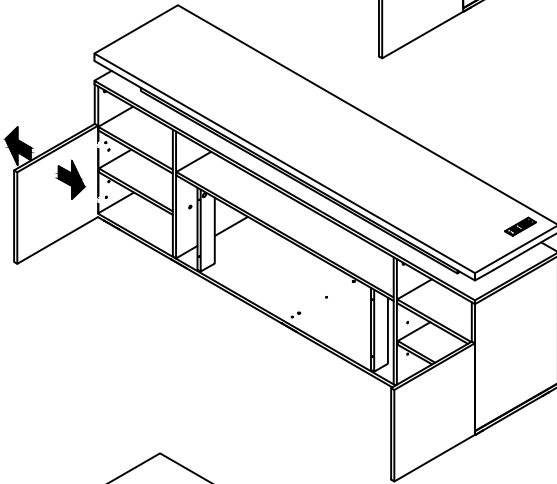
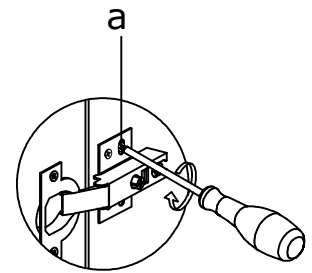
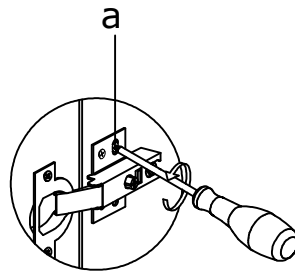
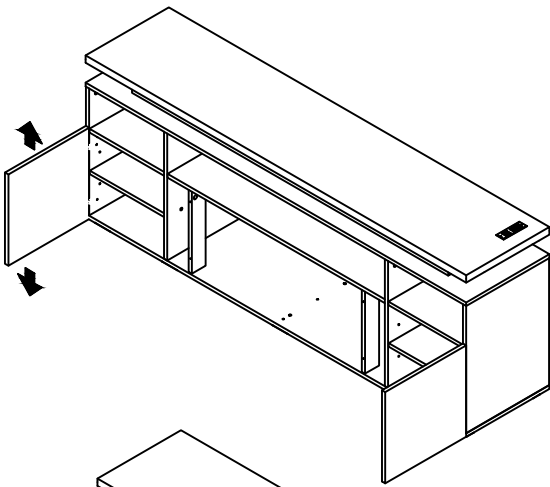


# Assemble

## Step 27



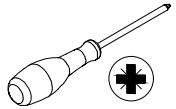
- If you need to adjust the doors, do so in the following manner

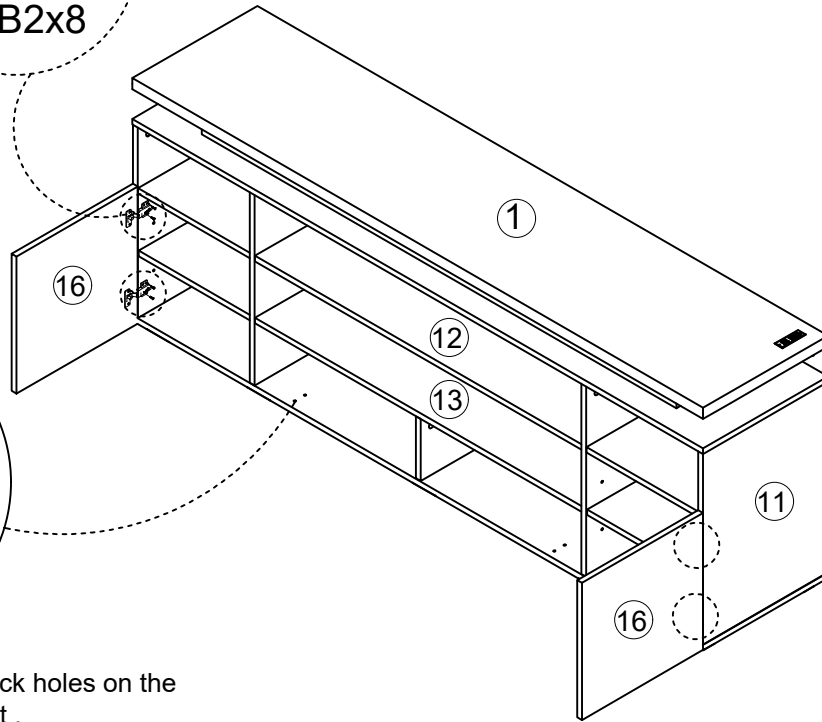
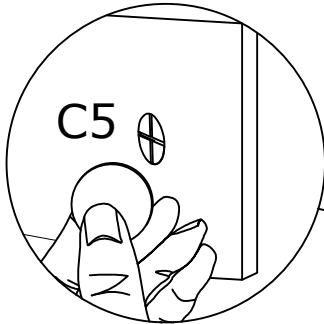
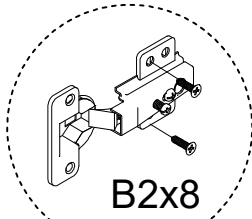
1. To adjust door up or down, loosen screws (a) on both hinges, adjust door, and retighten screws.
2. To adjust the door to the left or downward, loosen the screws (b) on the two hinges, adjust the door, and then re-tighten the screws.
3. To adjust door in or out, loosen screws (c) on both hinges, adjust door, and retighten screws.
4. The same adjustment method is also applicable to cabinets without fireplaces.



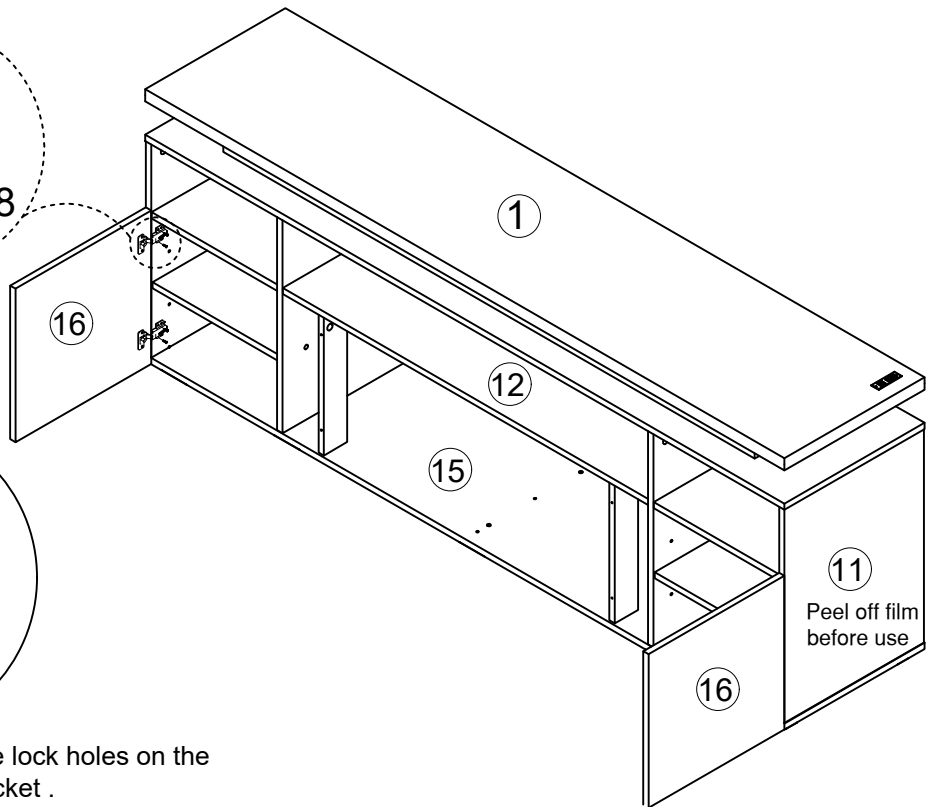
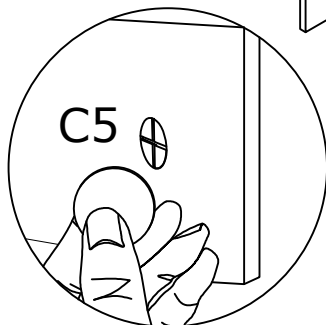
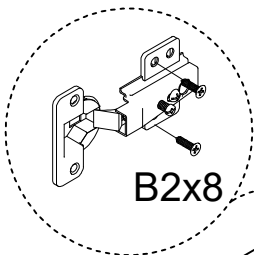
# Assemble

## Step 28

		
B2 8PCS	C5 56PCS	D



Stick the ring patch n on the lock holes on the side plate of the suction bucket .

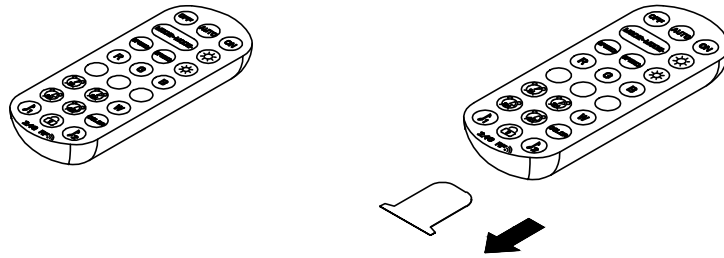


Stick the ring patch n on the lock holes on the side plate of the suction bucket .

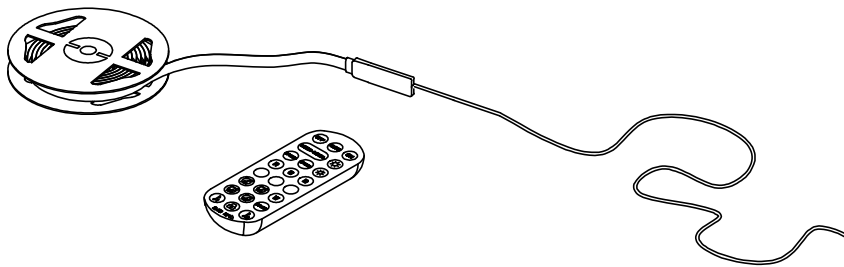
# Assemble

## Step 29

-LED lamp with effective remote control distance of 5 meters



1. Take out the remote control gasket



2. Align remote controller to the RGB Control box to adjust the color mode

Peel off the film from plate 1.6.11.16

-Installation complete.

