

assembly guide



(A)

Cam Lock &
Dowel x 22



(B)

Wooden Dowel x 4



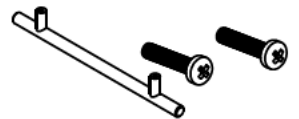
(C)

14x3.5mm
screw x 40



(D)

35x3.5mm
screw x 14



(E)

Handle x 3



(F)

Wheel x 4



(G)

Nails x 20



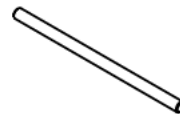
(H)

Lock x 1



(I)

Drawer runner x 3



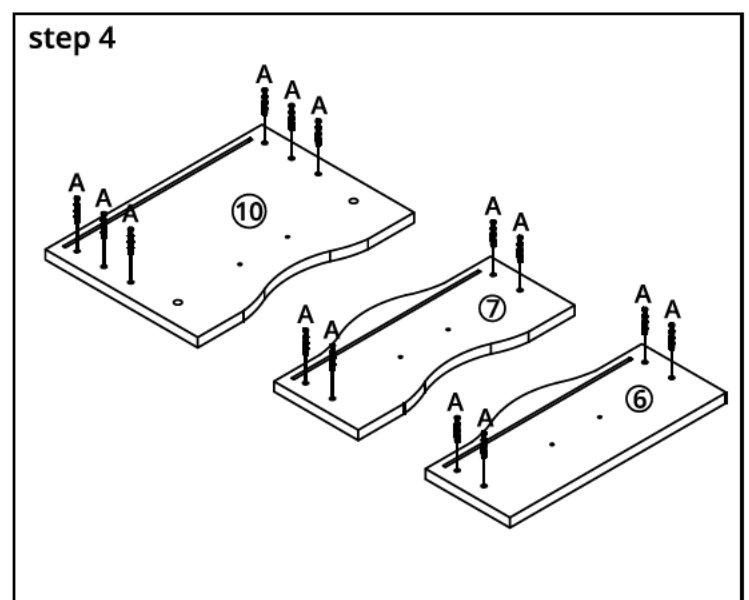
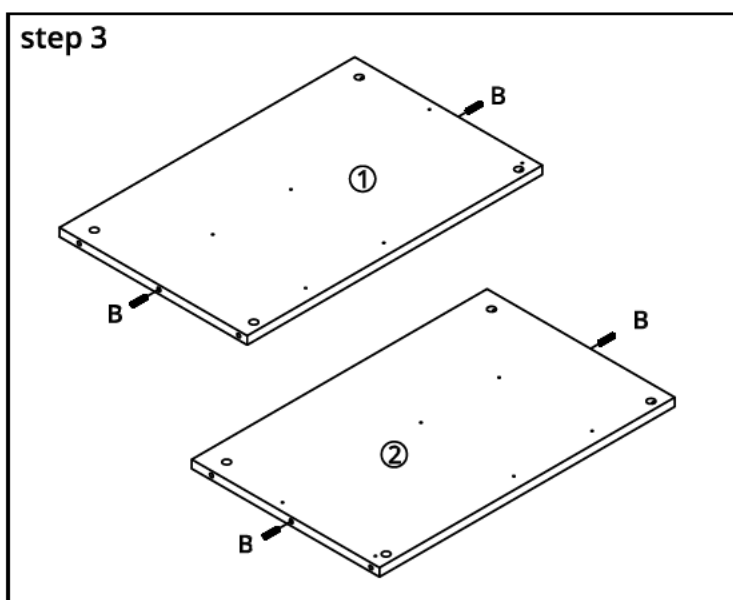
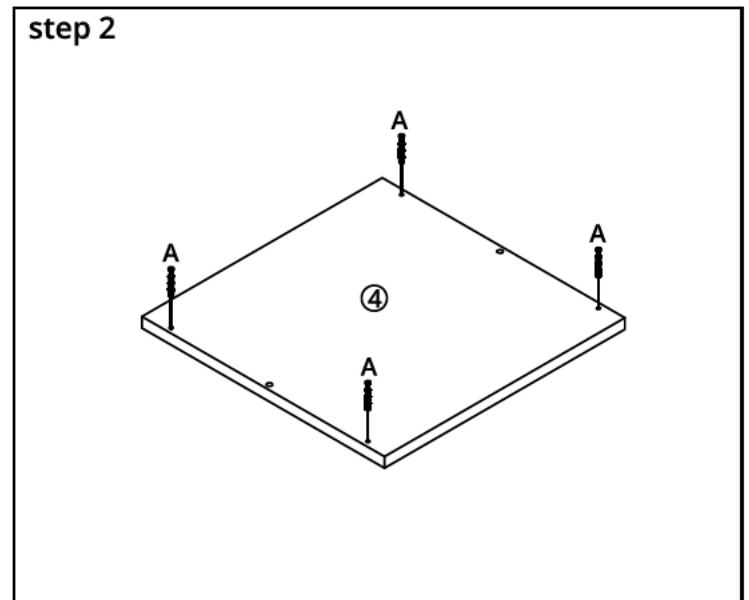
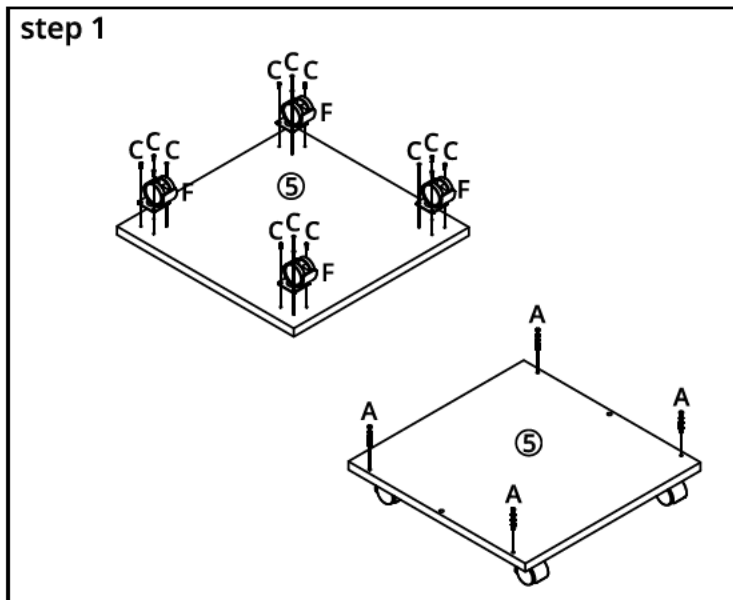
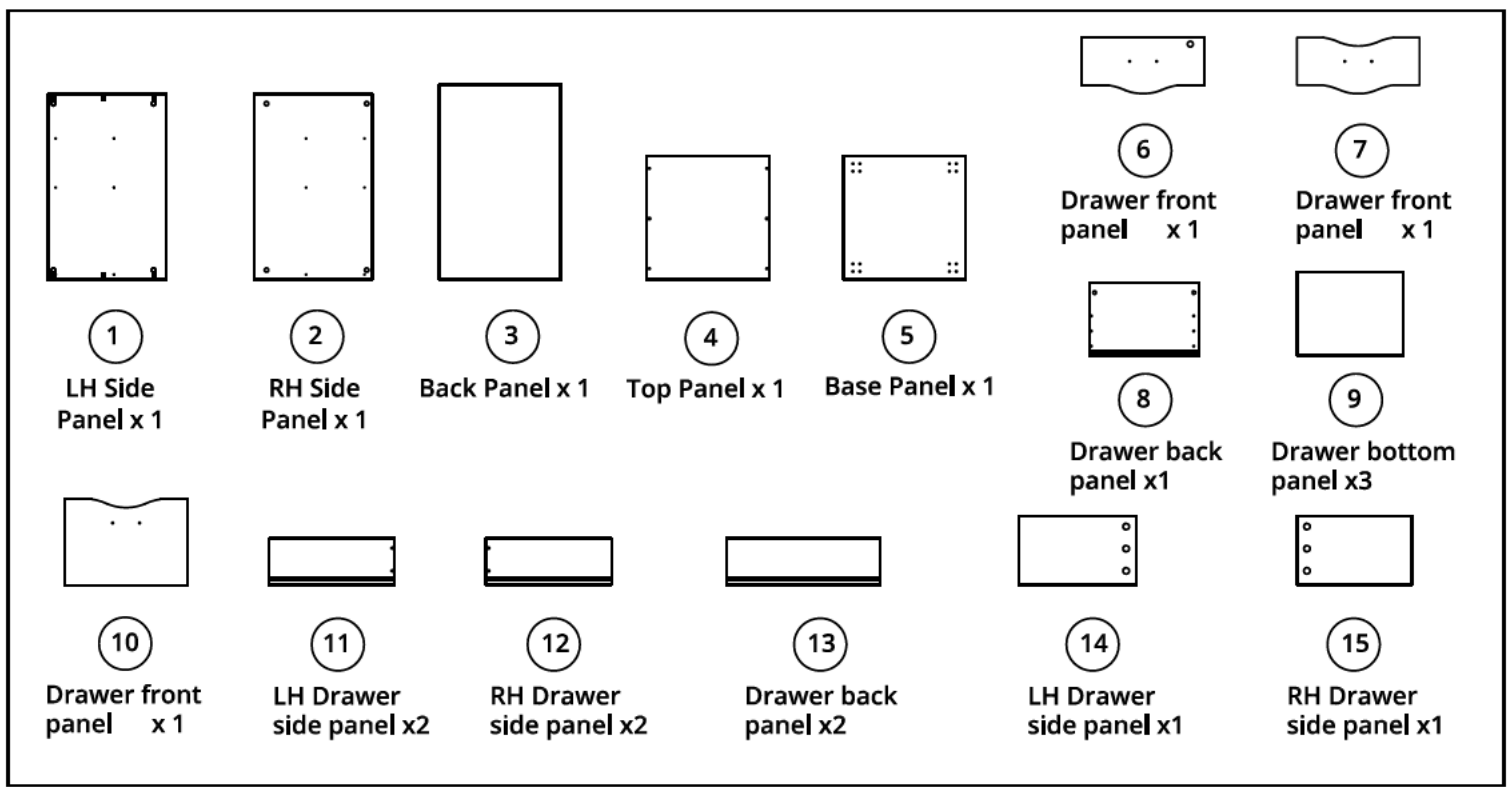
(J)

Rail x 2

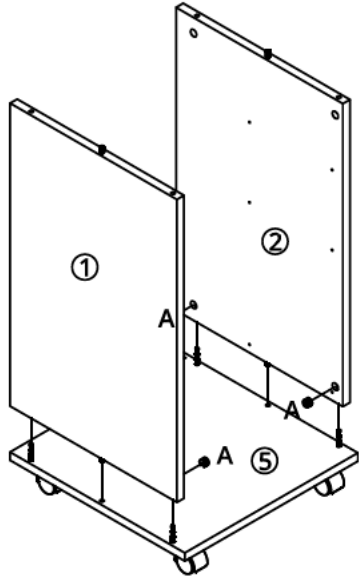


(K)

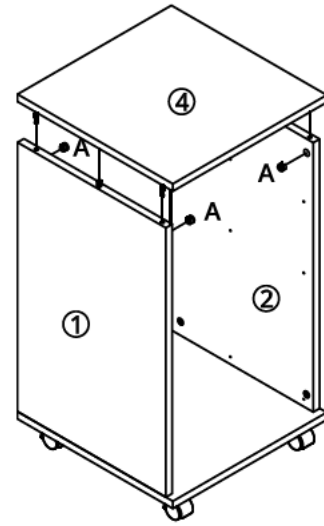
Wall Fixing x 1



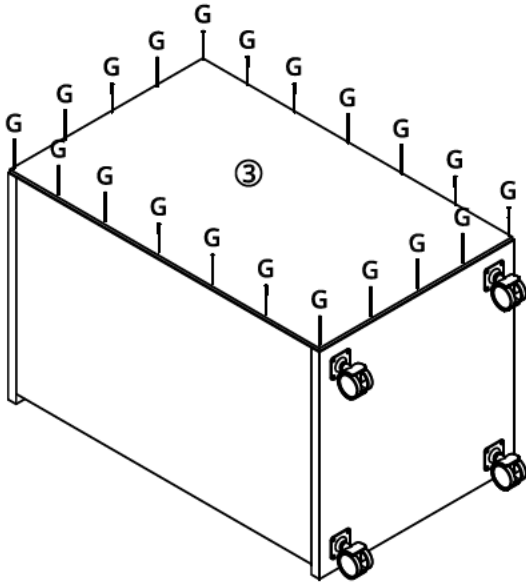
step 5



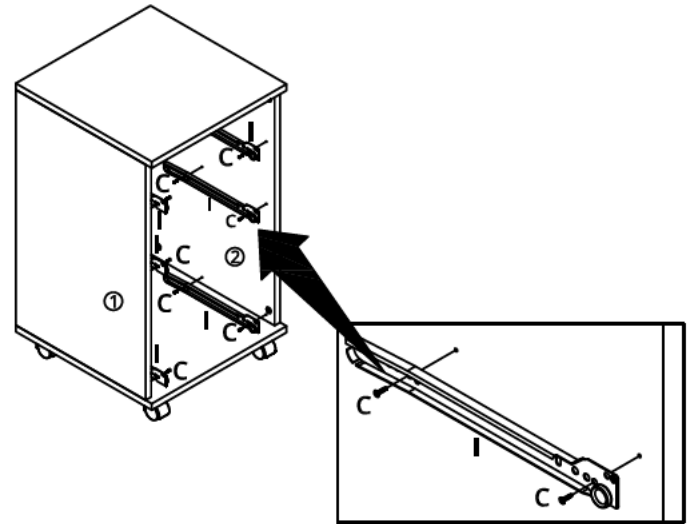
step 6



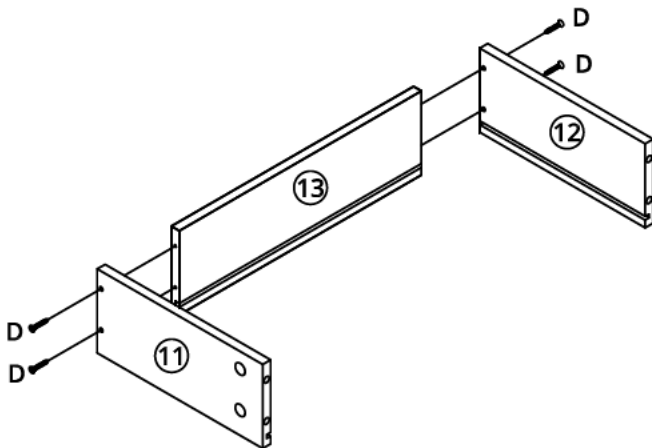
step 7



step 8

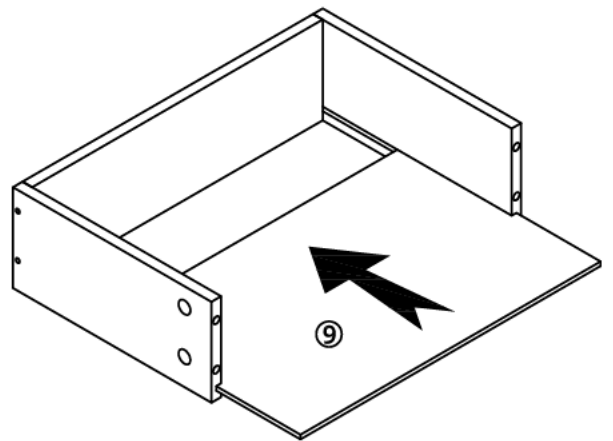


step 9



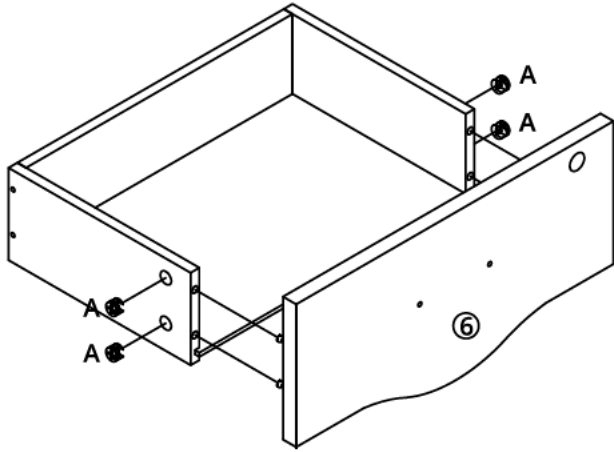
2 x

step 10

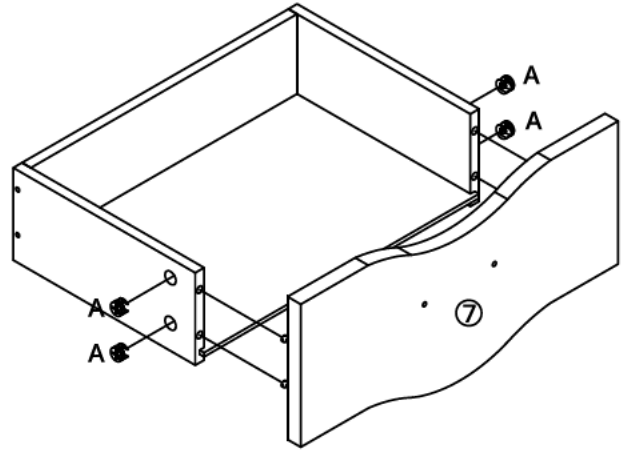


2 x

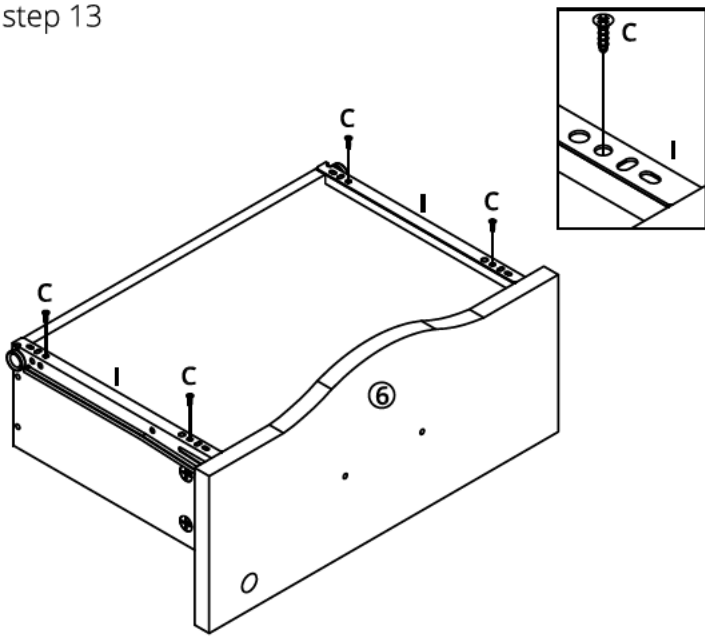
step 11



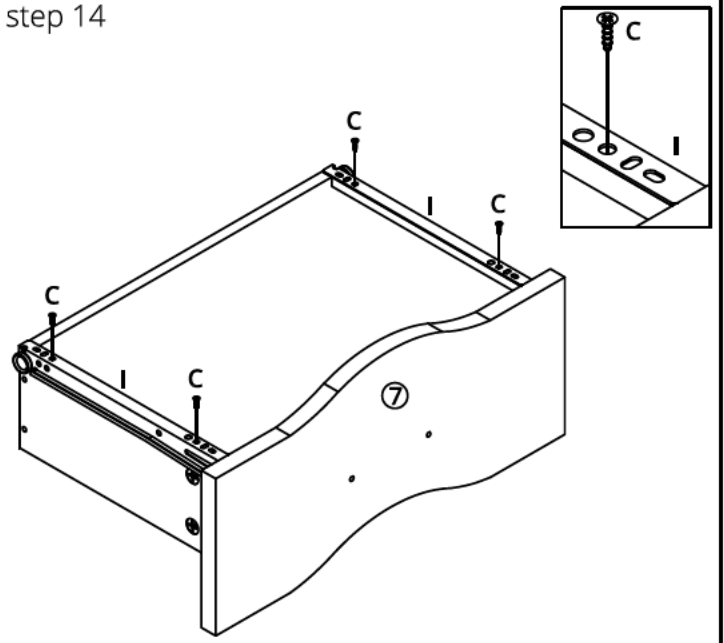
step 12



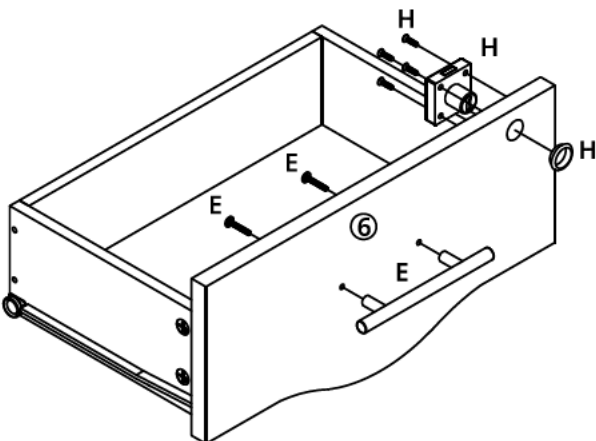
step 13



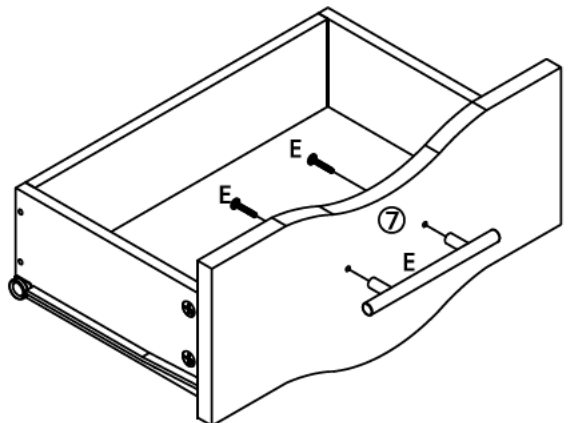
step 14



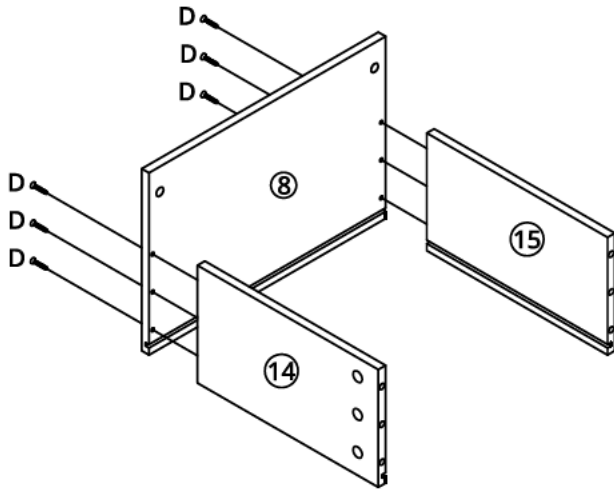
step 15



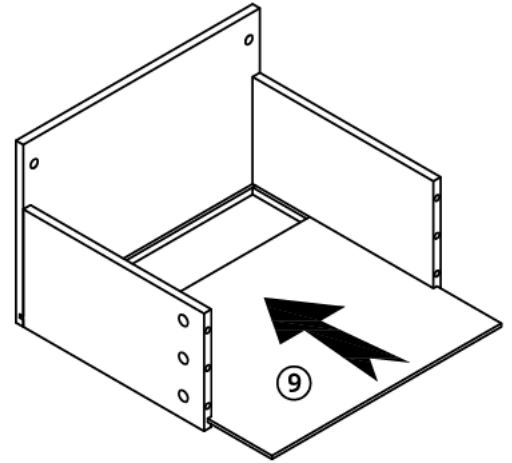
step 16



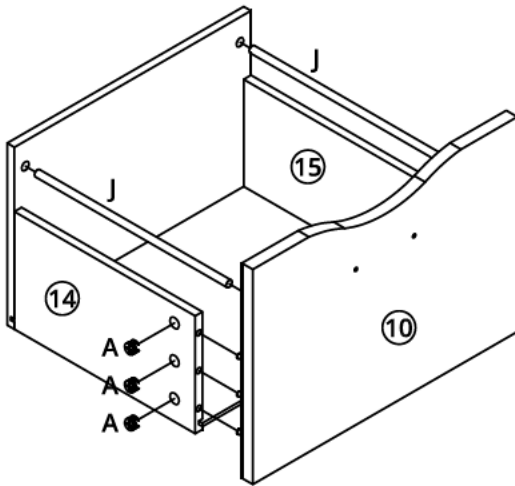
step 17



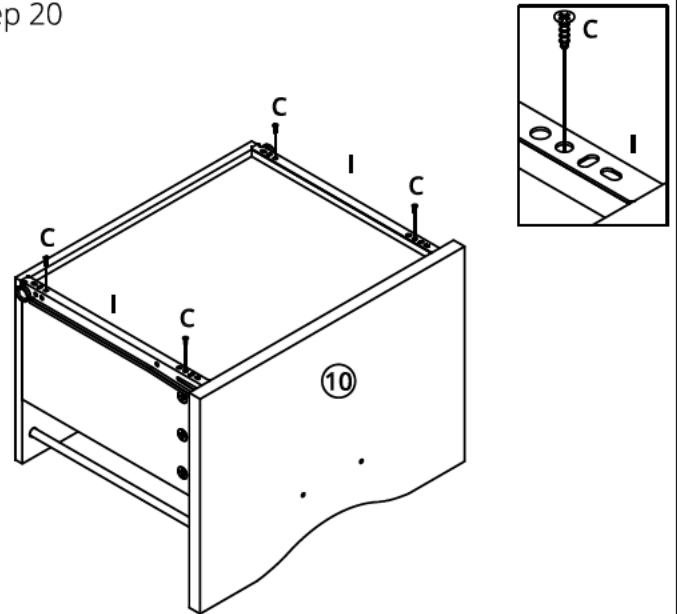
step 18



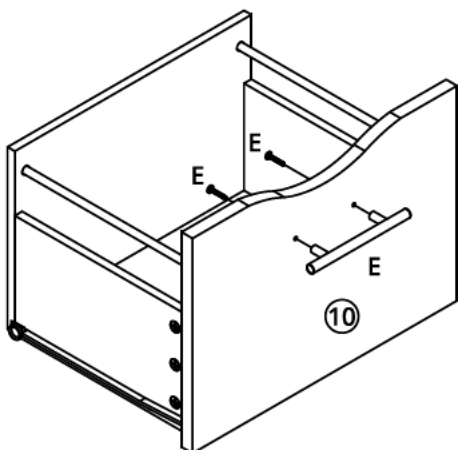
step 19



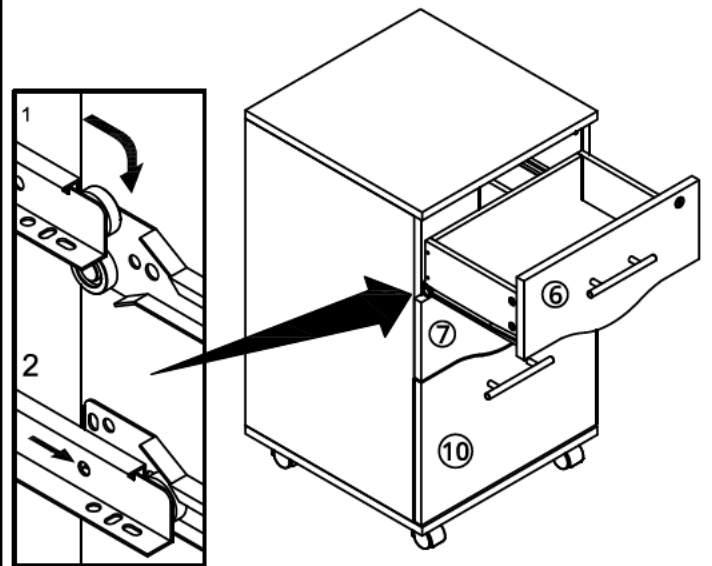
step 20



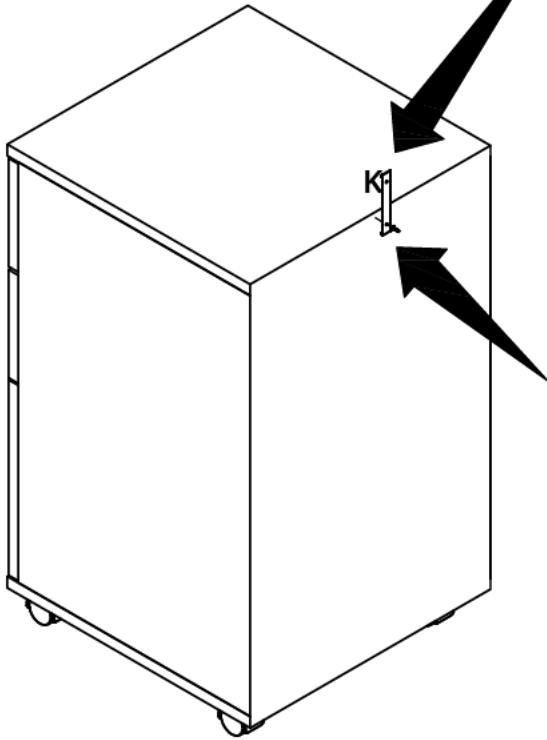
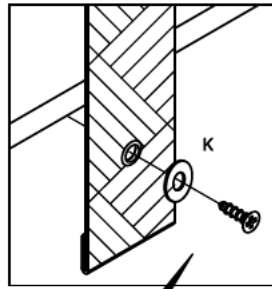
step 21



step 22



step 23



step 24

