








INSTALLATION MANUAL



Before You Start

-  Please read all instructions carefully.
-  Retain instructions for future reference.
-  Separate and count all parts and hardware.
-  Read through each step carefully and follow the proper order.
-  We recommend that, where possible, all items are assembled near to the area in which they will be placed in use, to avoid moving the product unnecessarily once assembled.
-  Always place the product on a flat, steady and stable surface.
-  Keep all small parts and packaging materials for this product away from babies and children as they potentially pose a serious choking hazard.

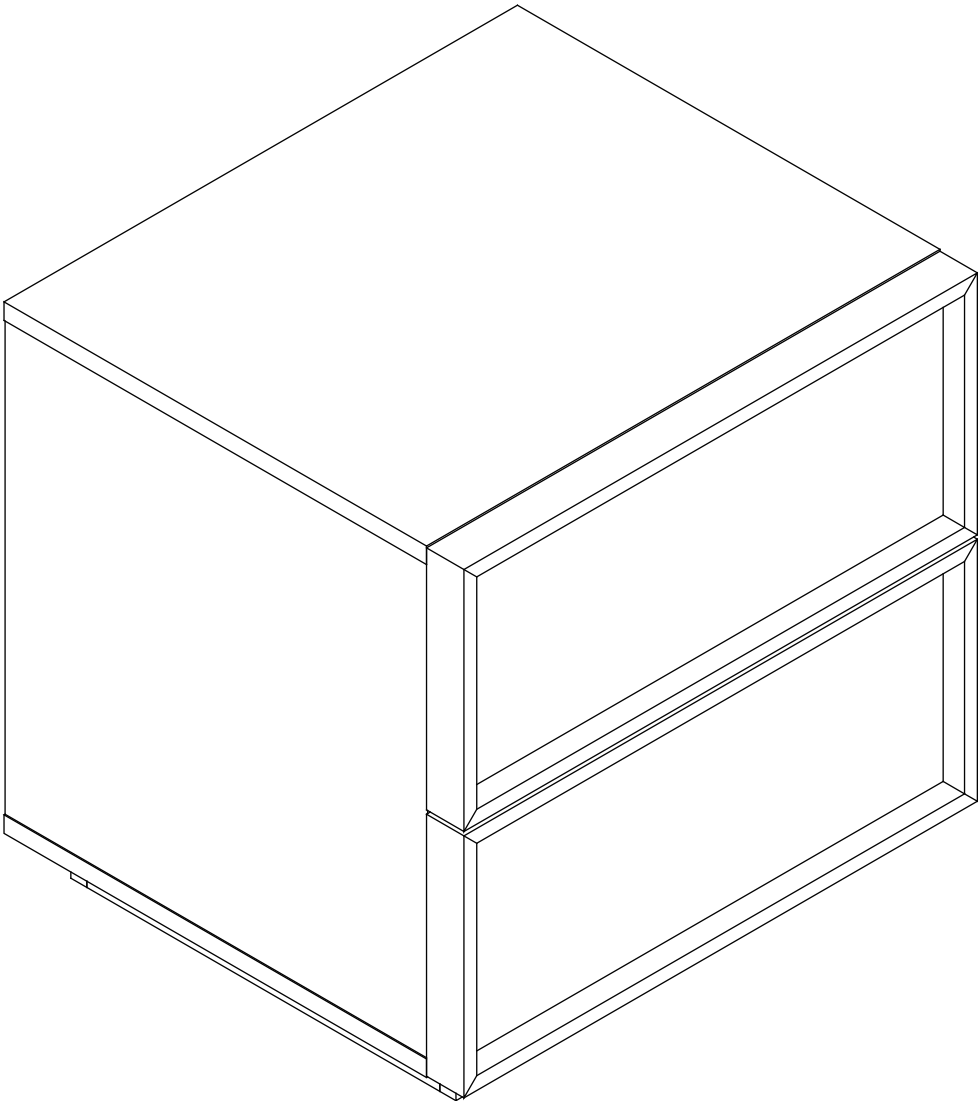
Assembly Instructions

We have designed our furniture with you, the customer in mind. Our clear, easy to follow step by step instructions will guide you through the project from start to finish. Feel confident that this will be a fun and rewarding project. The final product will be a quality piece of furniture that will go together smoothly and give years of enjoyment.

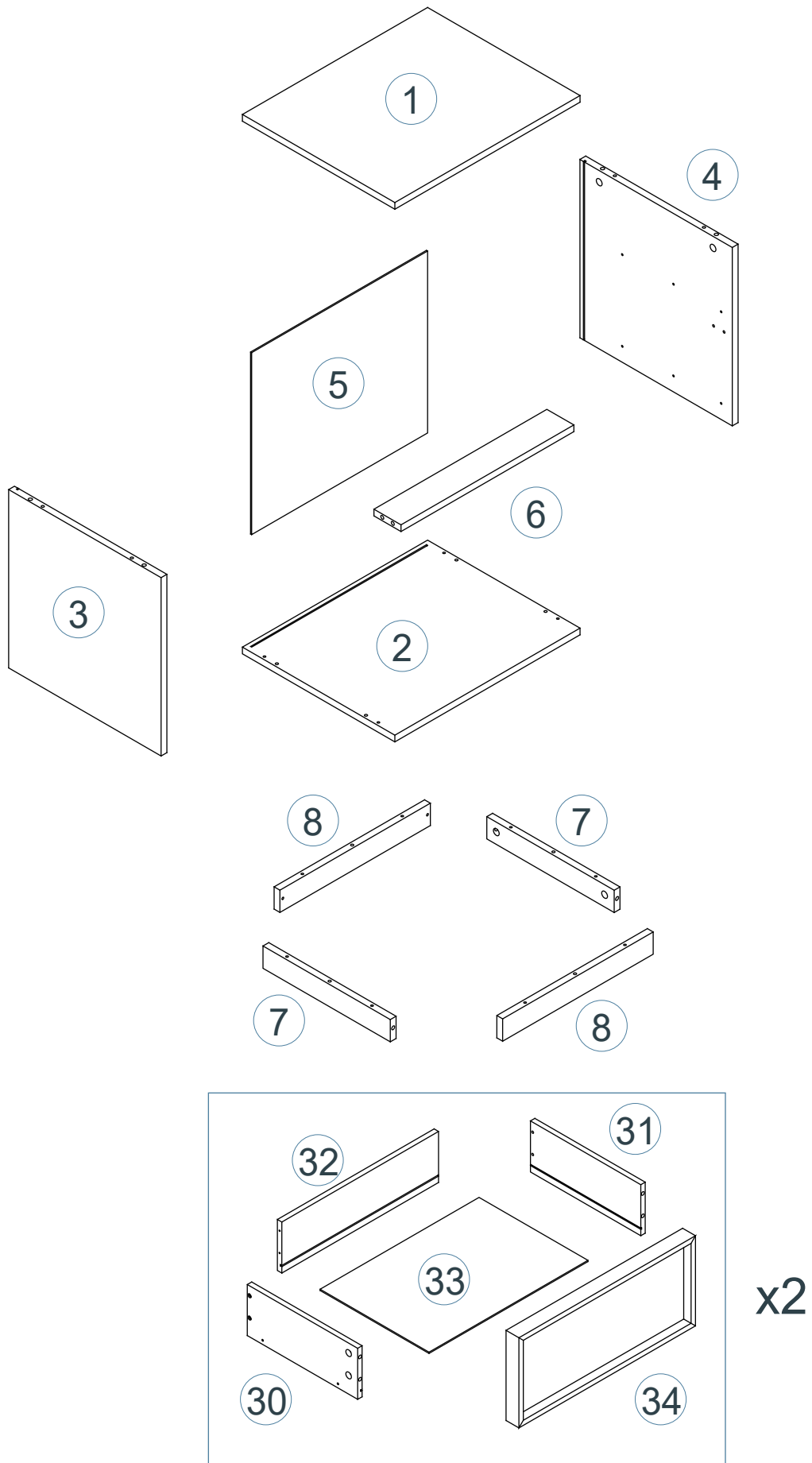


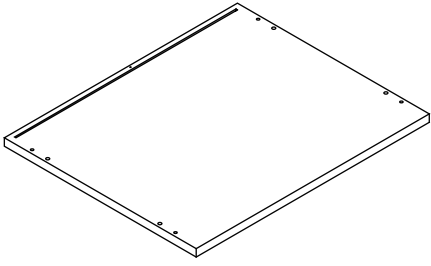
Please do not return to the store
Broken or missing Hardware?
Need help with Assembly?

Completed Assembly

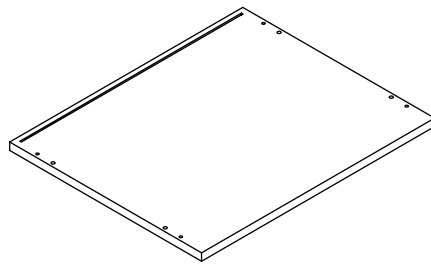


Parts Description

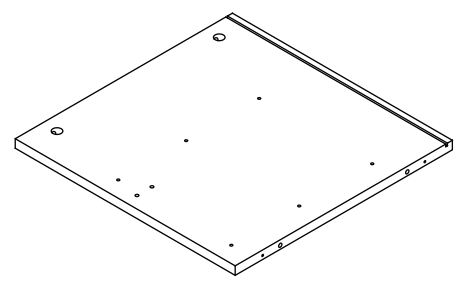




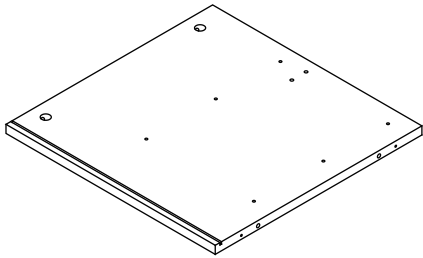
①



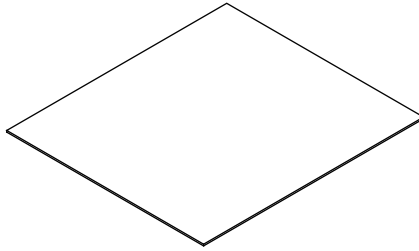
②



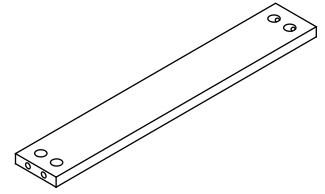
③



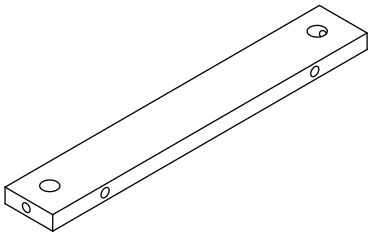
④



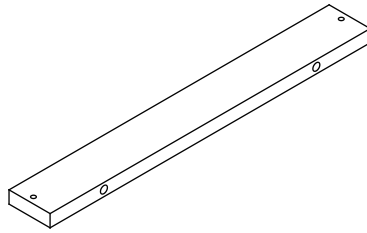
⑤



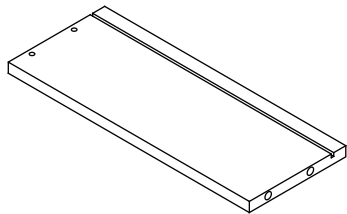
⑥



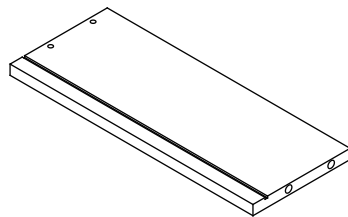
⑦ x2



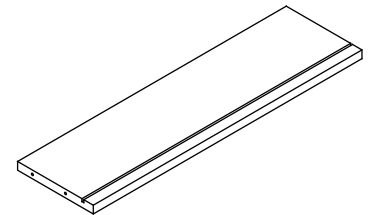
⑧ x2



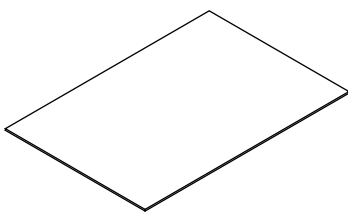
⑩ x2



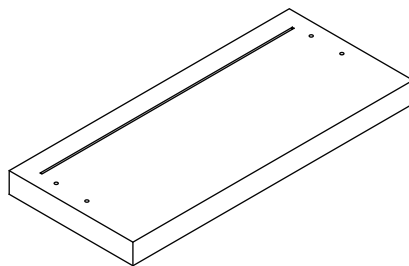
⑪ x2



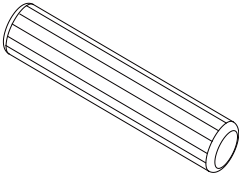
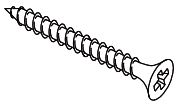
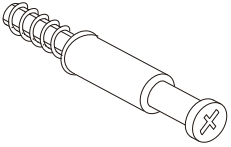
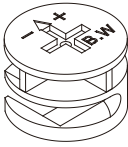
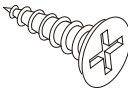
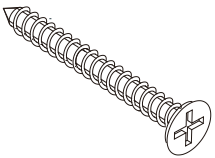
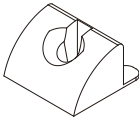
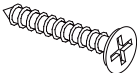
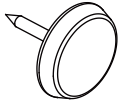
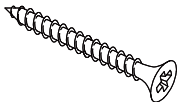
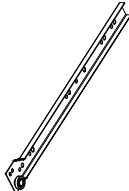
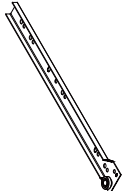
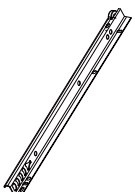
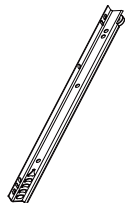
⑫ x2



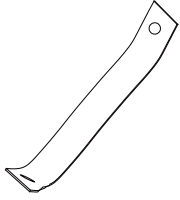
⑬ x2



⑭ x2

<p>A</p>  <p>8X30mm Dowel 12pcs</p>	<p>B</p>  <p>4 x 35mm Screw 4pcs</p>	<p>C</p>  <p>Bolt 20pcs</p>
<p>D</p>  <p>Locking Nut 20pcs</p>	<p>E</p>  <p>3 x 12mm Screw 20pcs</p>	<p>F</p>  <p>4 x 45mm Long Screw 8pcs</p>
<p>G</p>  <p>Wedge 4pcs</p>	<p>H</p>  <p>3 x 14mm Screw 4pcs</p>	<p>I</p>  <p>Plastic Glide 4pcs</p>
<p>J</p>  <p>4 x 30mm Screw 8pcs</p>	<p>CL</p>  <p>Slide Rail 2pcs</p>	<p>CR</p>  <p>Slide Rail 2pcs</p>
<p>DL</p>  <p>Slide Rail 2pcs</p>	<p>DR</p>  <p>Slide Rail 2pcs</p>	

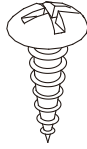
V



Safety Strap

1pc

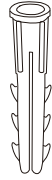
W



Screw

1pc

X



Wall Anchor

1pc

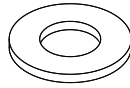
Y



Wall Screw

1pc

Z



Washer

2pcs



Note: Please do not use any power tools. Use of power tools may cause damage and void manufacture warranty.

Instructions For Fastening Cam Bolt and Cam Lock



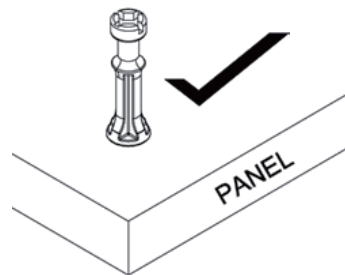
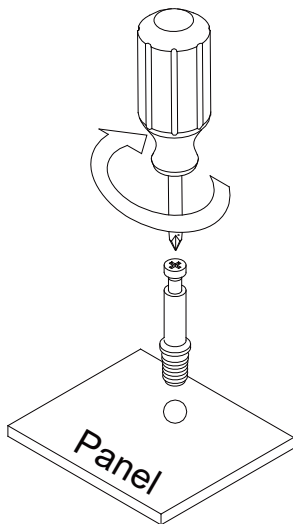
CAM BOLT



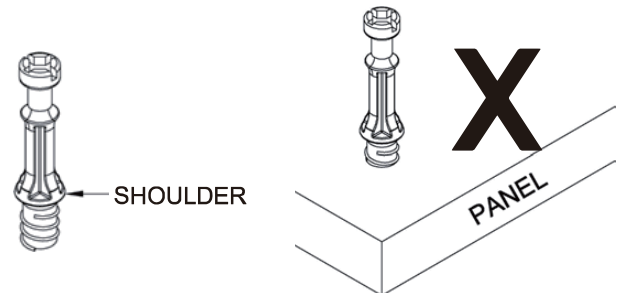
CAM LOCK

Cam Bolt

Place Cam Bolt on the designated pre-drilled hole on the panel. Use a Phillips Screwdriver to screw in Cam Bolt vertically until shoulder is snug and flushed with panel. Do not over-tighten or under-tighten Cam-bolt. See illustrations below.

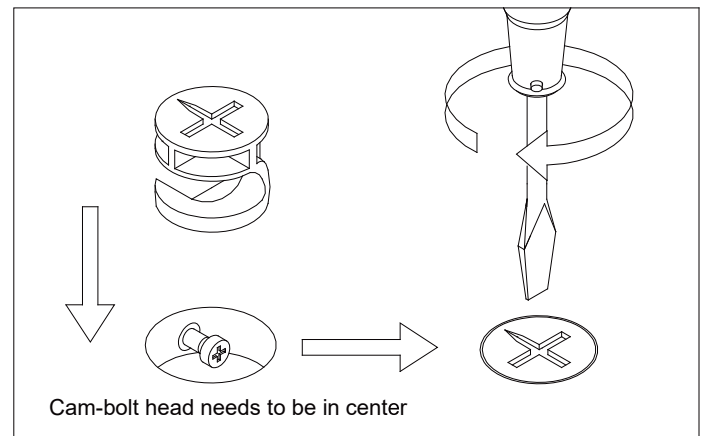
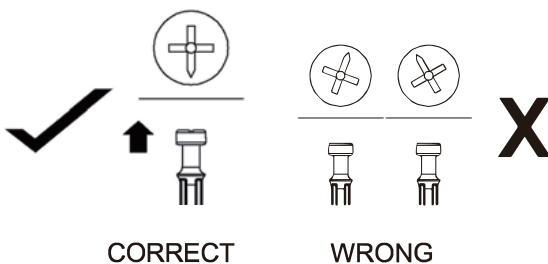


Shoulder is flushed (on the same level) with the panel.



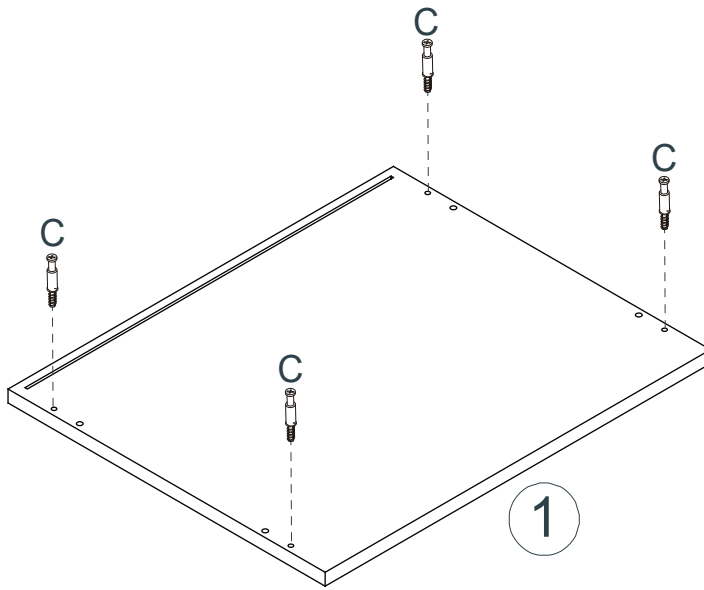
Shoulder is above the panel.


CAM-LOCK
Align the arrow on the Cam-lock to the Cam-bolt head and insert the Cam-lock.



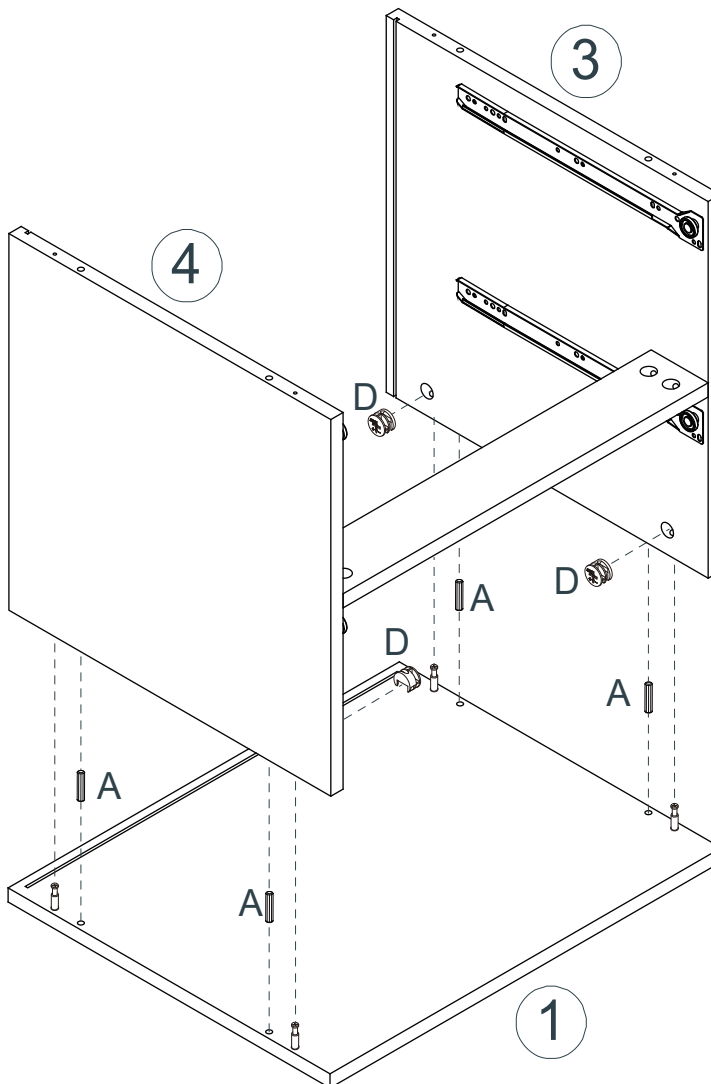
Use a Flat-head Screwdriver to turn Cam Lock clockwise to lock onto the head of the Cam Bolt. Turn until it is snug (about a half turn) – over-tightening could damage Cam Lock and/or Cam Bolt.



Step 3

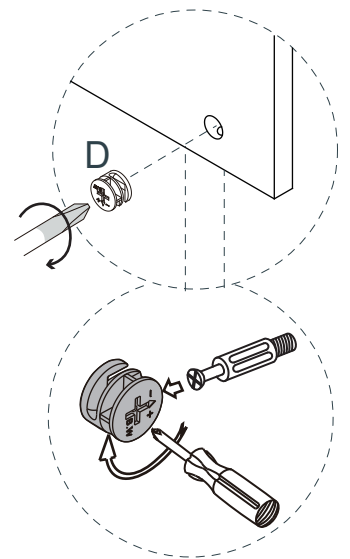


Hardware Needed		
C		X4

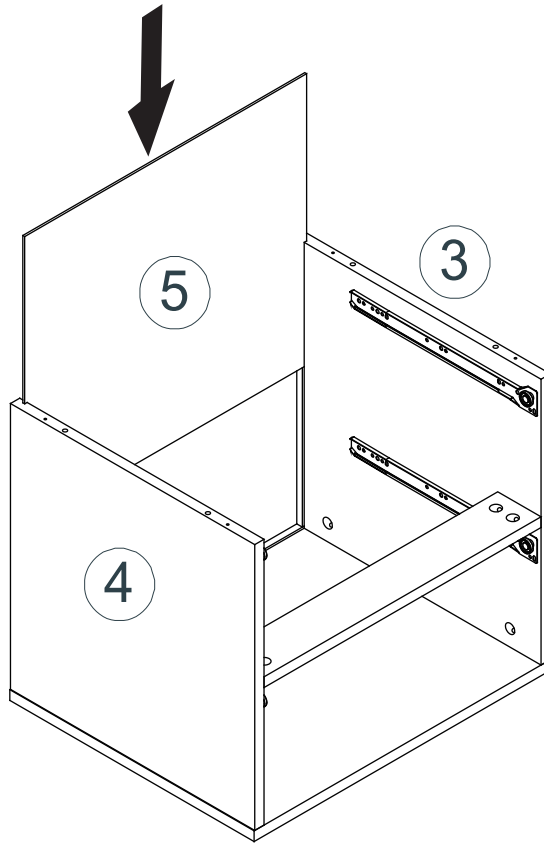
Step 4



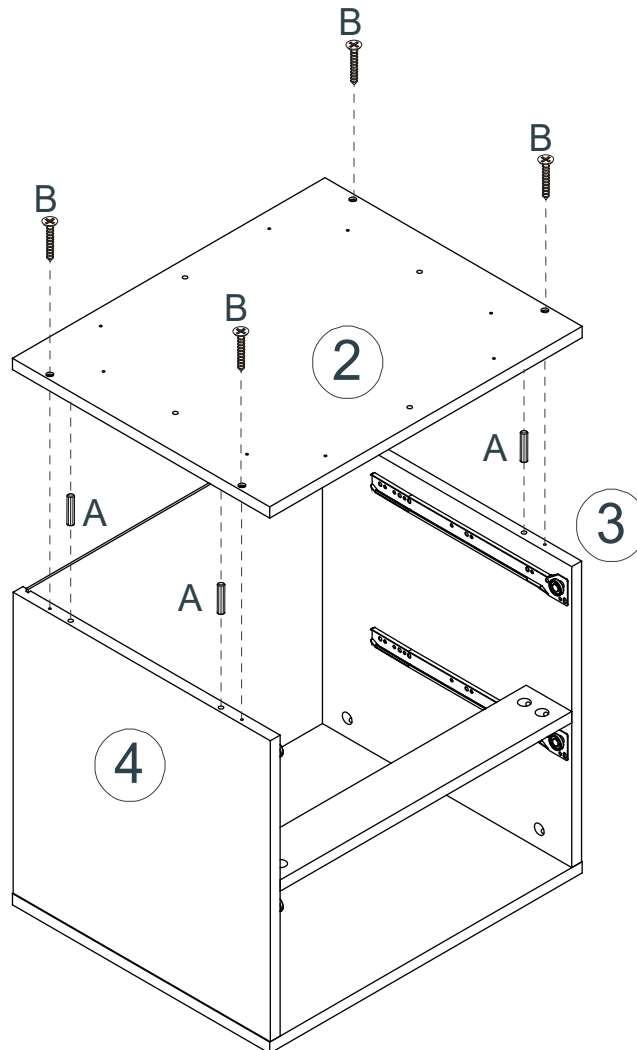
Hardware Needed		
A		X4
D		X4





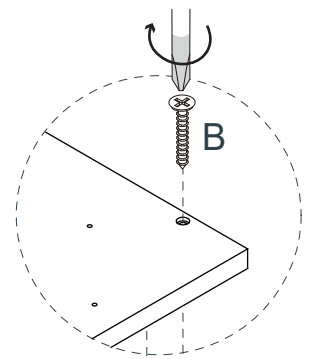
Step 5



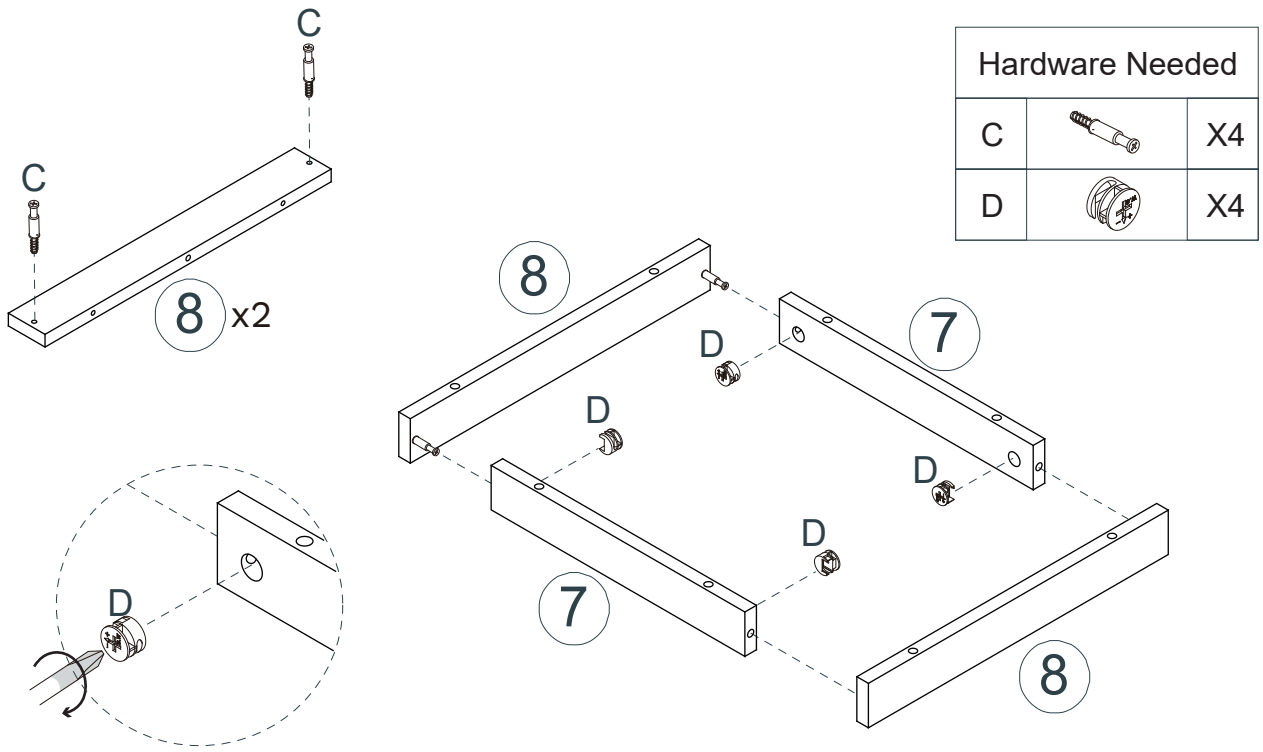
Step 6



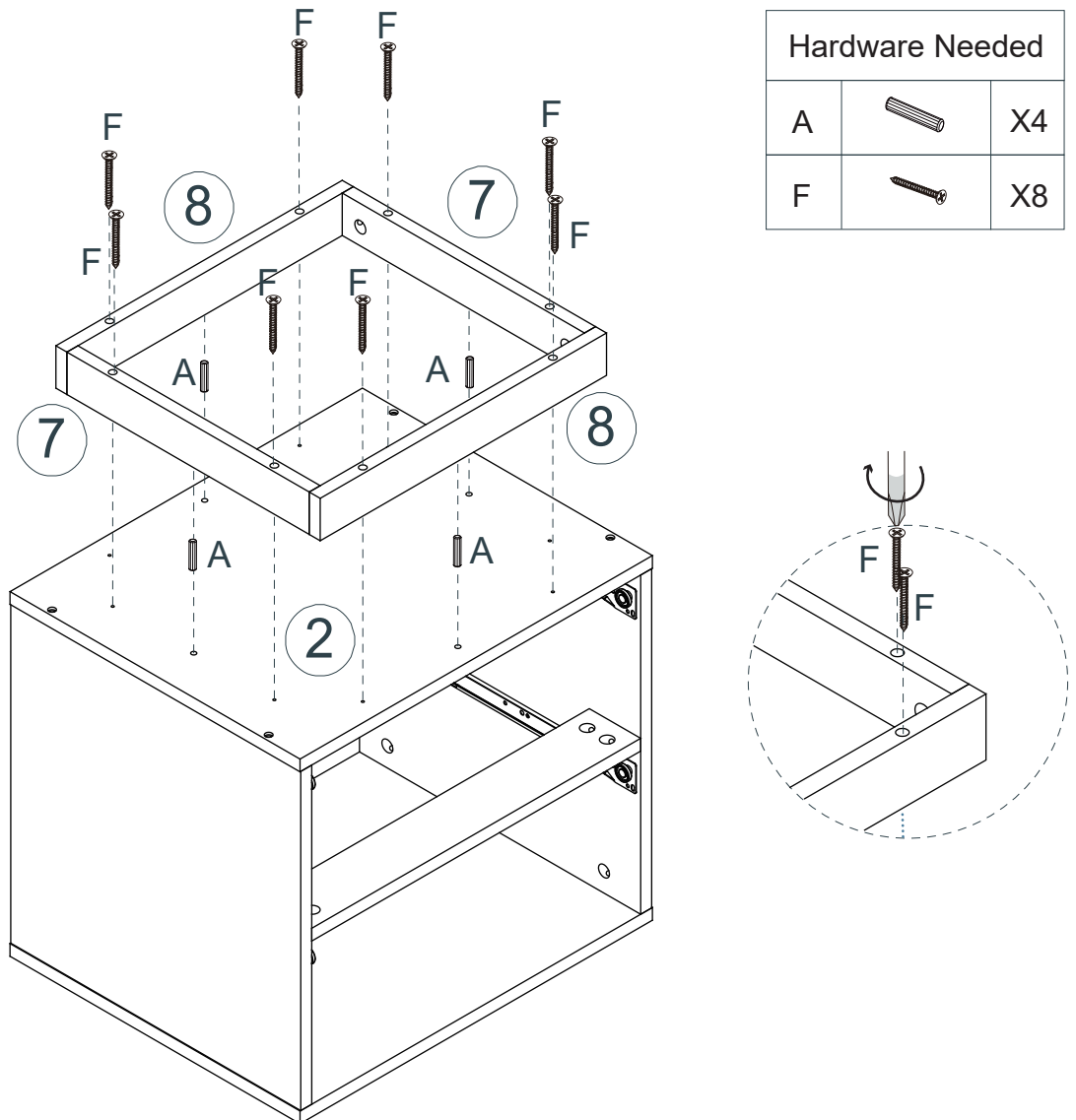
Hardware Needed		
A		X4
B		X4



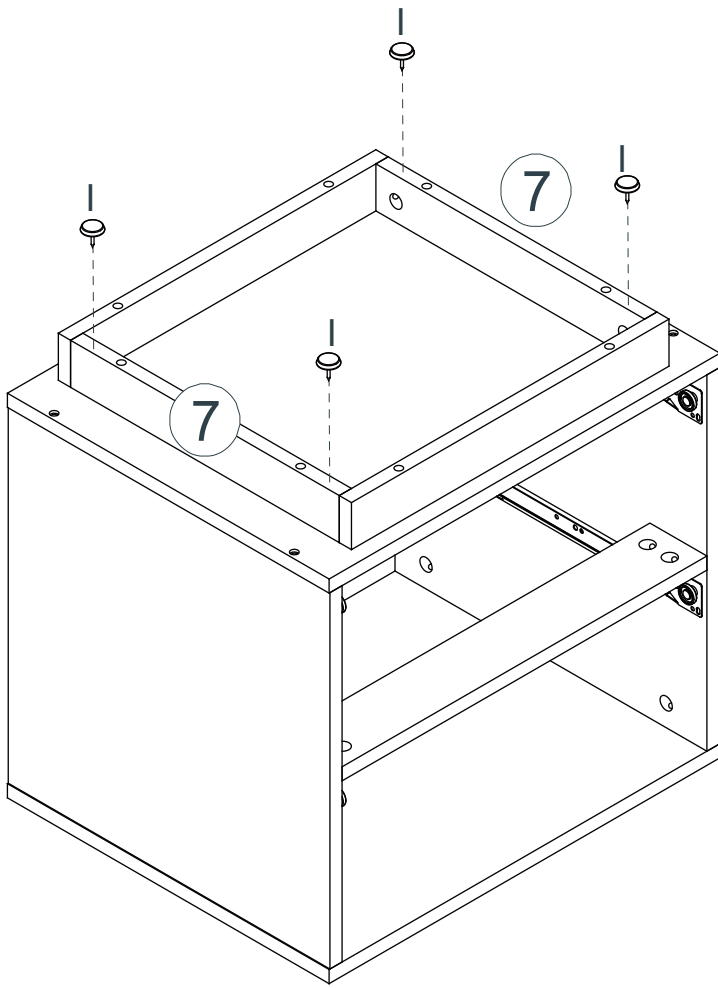
Step 7




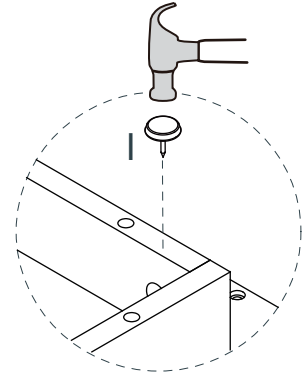
Step 8



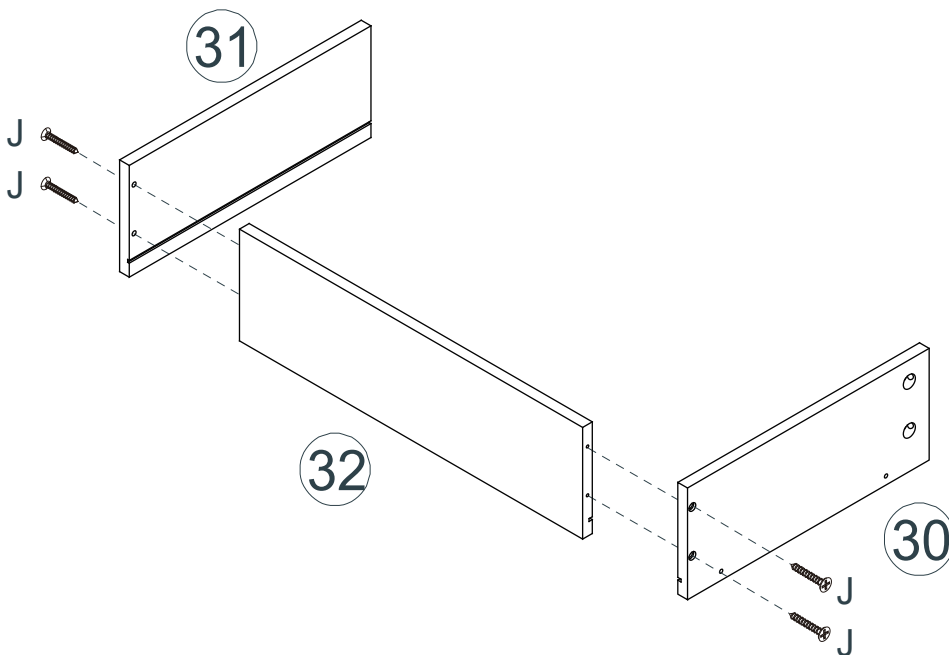
Step 9




Hardware Needed		
I		X4




Step 10

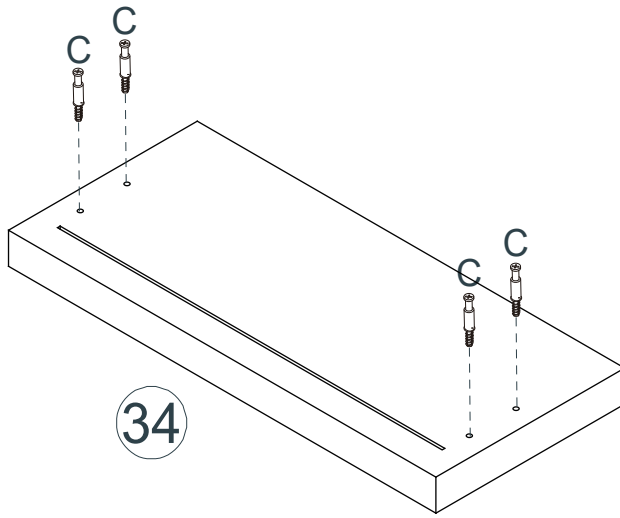


Hardware Needed		
J		X8

Drawer x2

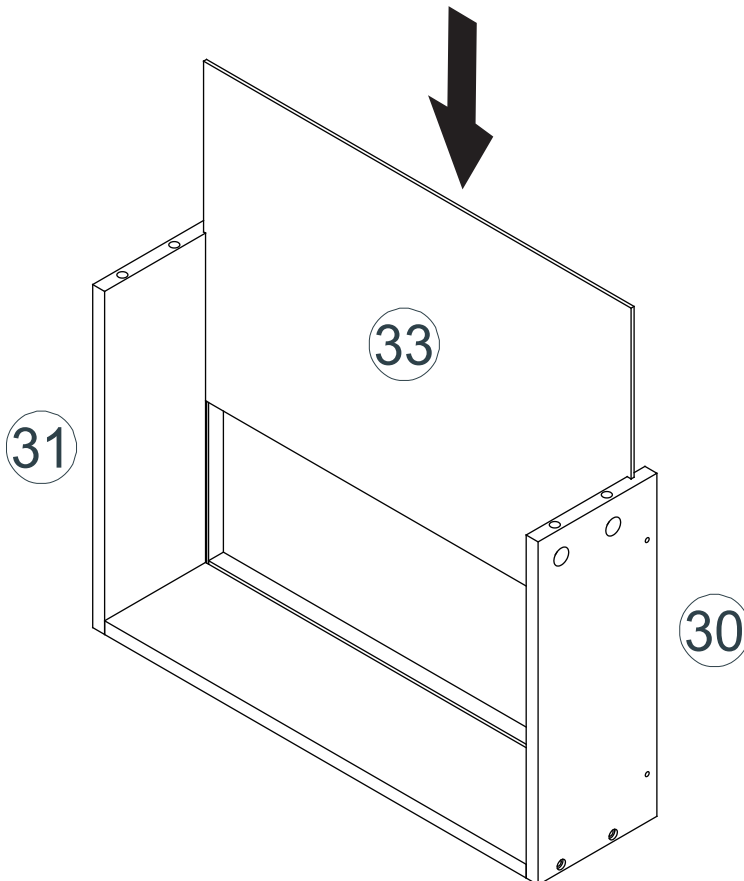
Step 11

Hardware Needed		
C		X8



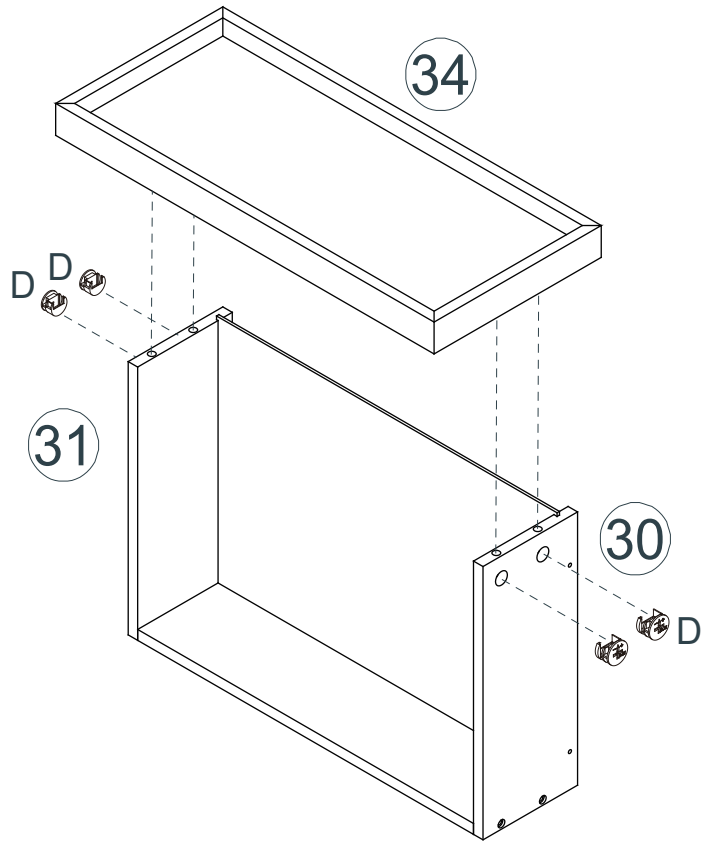
Drawer x2


Step 12



Drawer x2

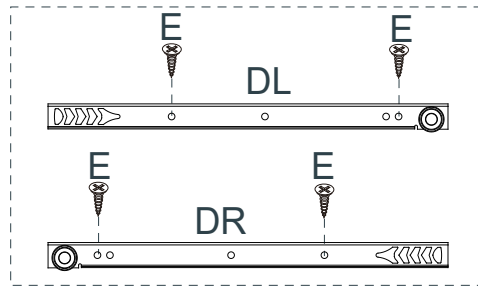
Step 13






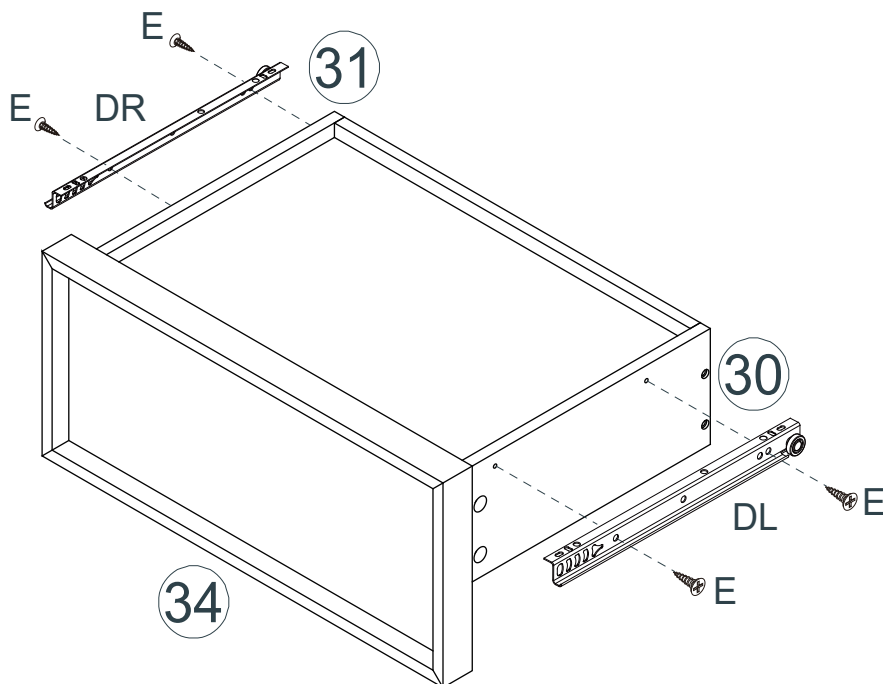
Hardware Needed		
D		X8

Drawer x2

Step 14

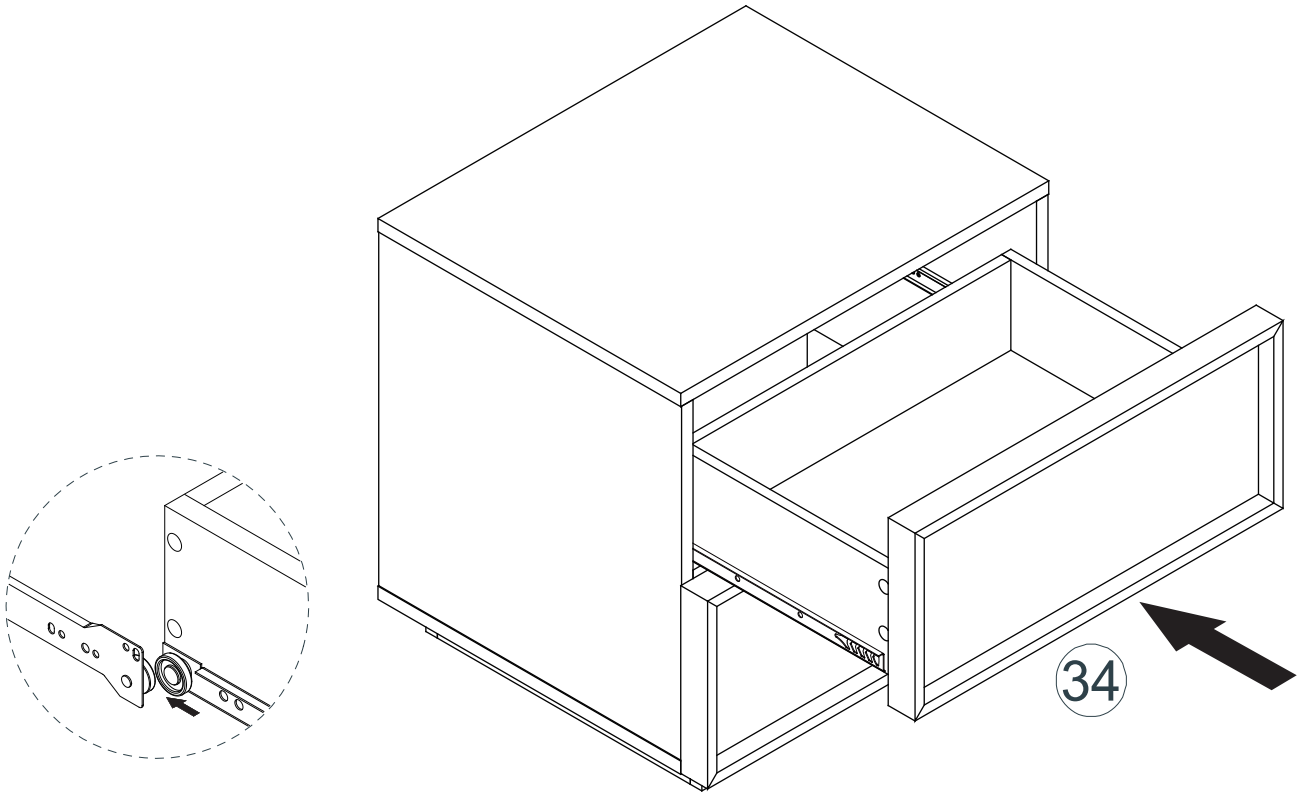


Hardware Needed		
E		X8
DL		X2
DR		X2



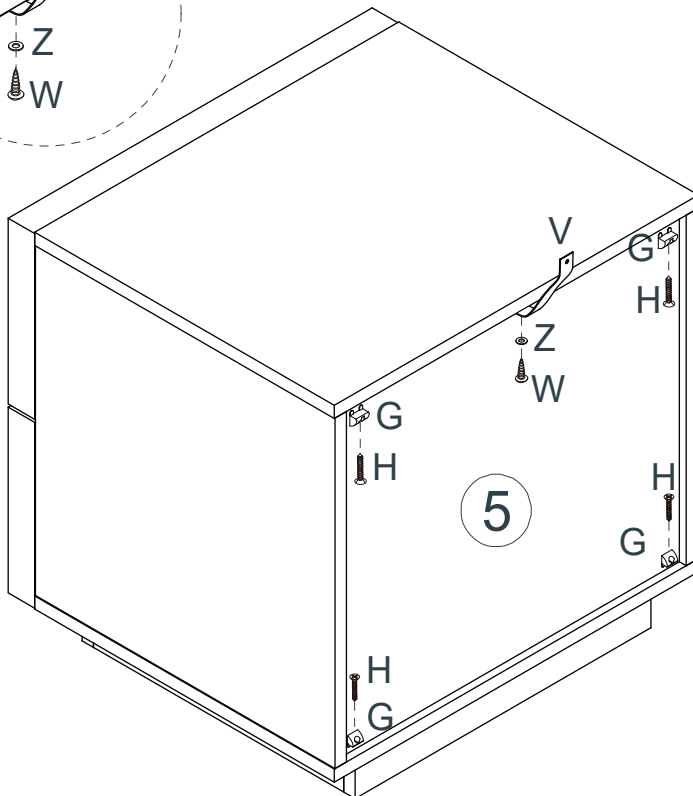
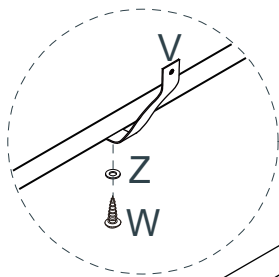
Drawer x2






Step 15

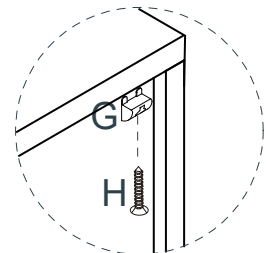


Insert the assembled drawers into the corresponding compartments as shown.

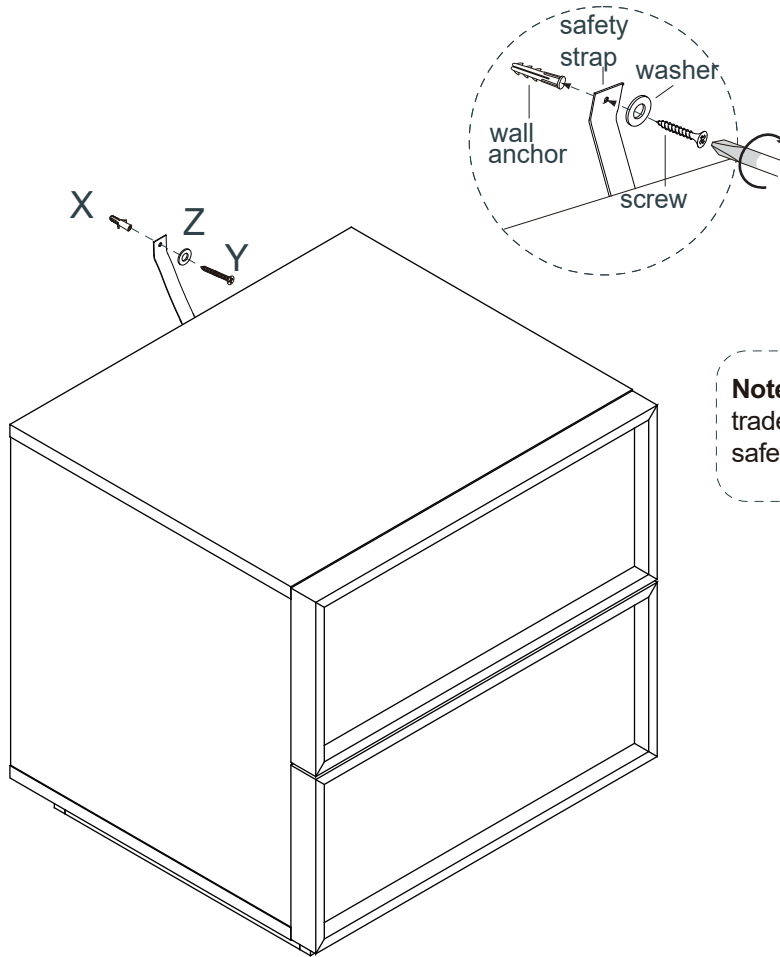
Step 16






Hardware Needed		
G		X4
H		X4
V		X1
W		X1
Z		X1



Step 17



Hardware Needed

X		x1
Y		x1
Z		x1

Note: Seek advice from a qualified trades person on how to attach this safety strap to your specific wall.

Step 18

