

VEVOR[®]

TOUGH TOOLS, HALF PRICE

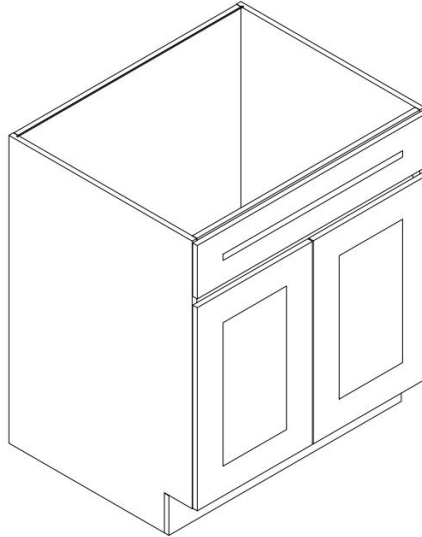
Technical Support and E-Warranty Certificate www.vevor.com/support

Cabinet

Model:KLCC-05/KLCC-06

We continue to be committed to provide you tools with competitive price. "Save Half", "Half Price" or any other similar expressions used by us only represents an estimate of savings you might benefit from buying certain tools with us compared to the major top brands and does not necessarily mean to cover all categories of tools offered by us. You are kindly reminded to verify carefully when you are placing an order with us if you are actually Saving Half in comparison with the top major brands.

MODEL: KLCC-05/KLCC-06



NEED HELP? CONTACT US!

Have product questions? Need technical support? Please feel free to contact us:

Technical Support and E-Warranty Certificate
www.vevor.com/support

This is the original instruction, please read all manual instructions carefully before operating. VEVOR reserves a clear interpretation of our user manual. The appearance of the product shall be subject to the product you received. Please forgive us that we won't inform you again if there are any technology or software updates on our product.

IMPORTANT SAFEGUARDS

WARNING!



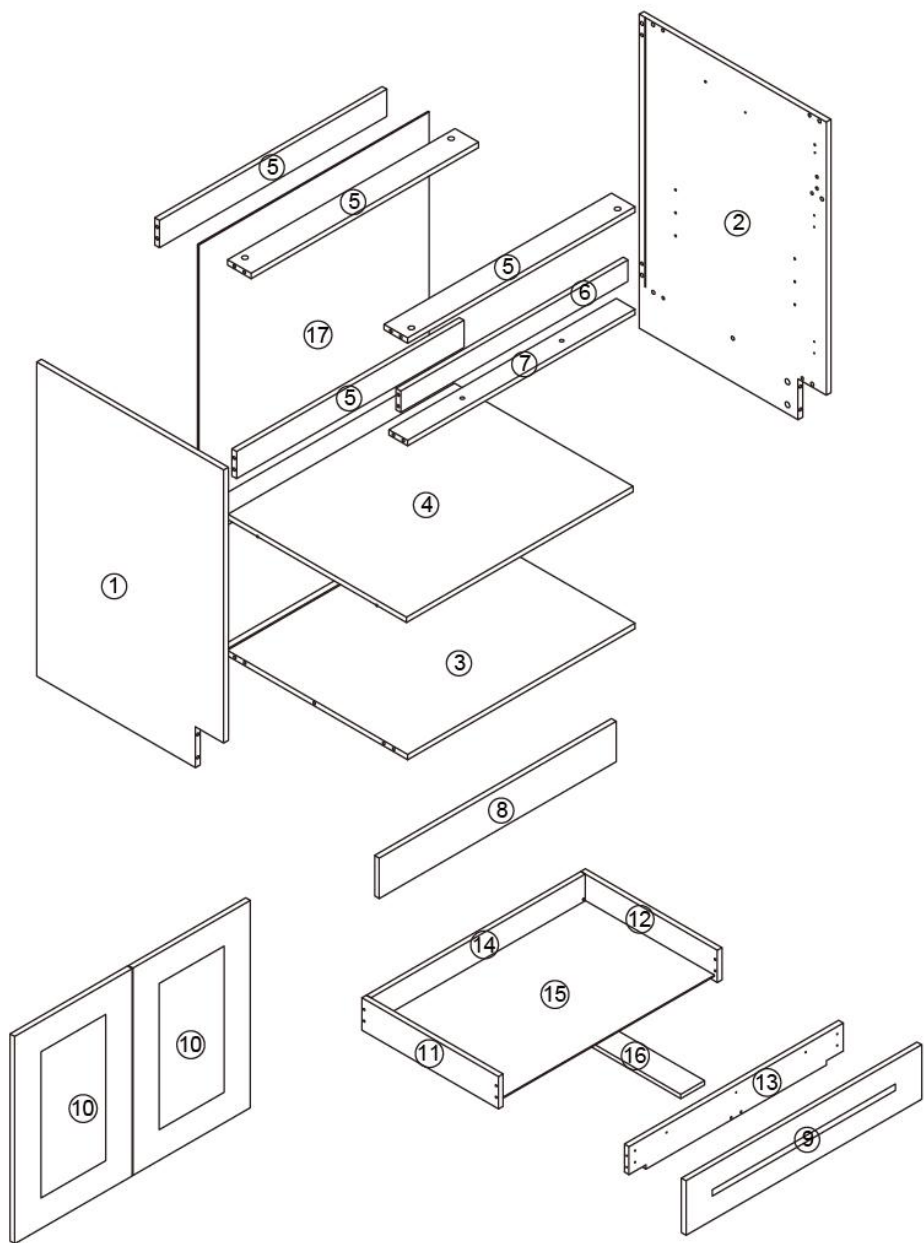
Warning-To reduce the risk of injury, user must read instructions manual carefully. Always follow basic safety precautions when using these devices.










WARNING:

1. Do not allow children to climb on the unit. -Serious or fatal crushing injuries can occur from furniture tip-over. To prevent this, furniture must be permanently fixed to the wall.
2. Keep children and pets away during assembly.
3. To avoid the danger of suffocation, always keep plastic bags away from children and pets.

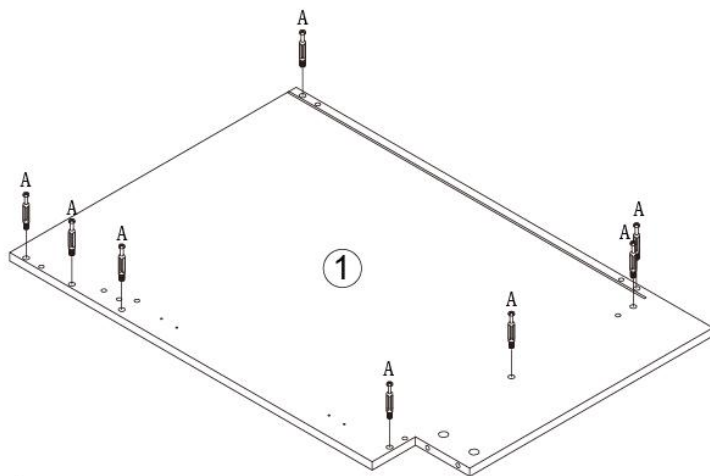
ASSEMBLY PRECAUTIONS

1. Please assemble the product in strict accordance with the instructions. Incorrect assembly could be hazardous.
2. Please wear safety goggles and work gloves properly during assembly.
3. Do not try to assemble the product when feeling tired or when under the influence of alcohol, drugs or medication.
4. Load bearing capacity and other product parameters are applied to the properly and completely assembled product only.
5. Separate and count all parts and hardware.
6. Prepare the following tool: Philips Head Screwdriver.
7. If using power tools, please be careful to slow down and stop when needed.
8. Two people are required for assembly.
9. Follow the intended uses only. Do not sit or stand on the above.



A	X22	B	X22	C	X16	D	X8
 Ø6×40mm		 Ø15×11		 Ø8×30		 Ø4×25mm	
E	X4	F	X24	G	X6	H	X4
 Ø10		 Ø3.5×14mm		 Ø3.5×14mm			
I	X22						
 Ø20							

1

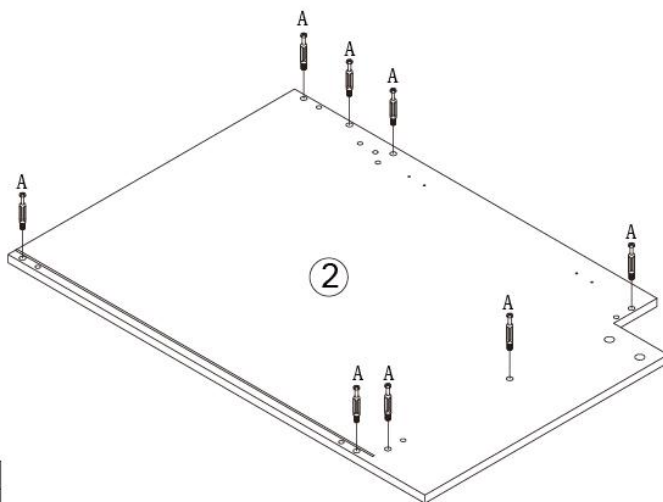


A	X8
---	----



Ø6×40mm

2

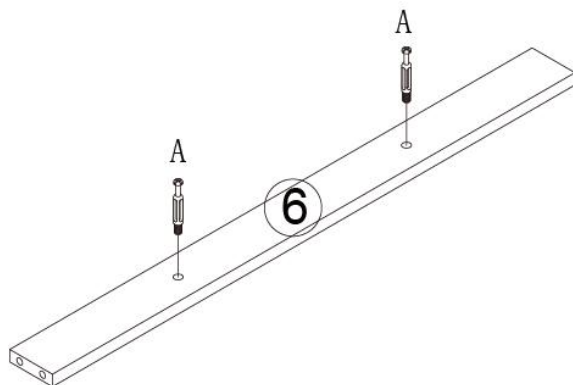



A	X8
---	----



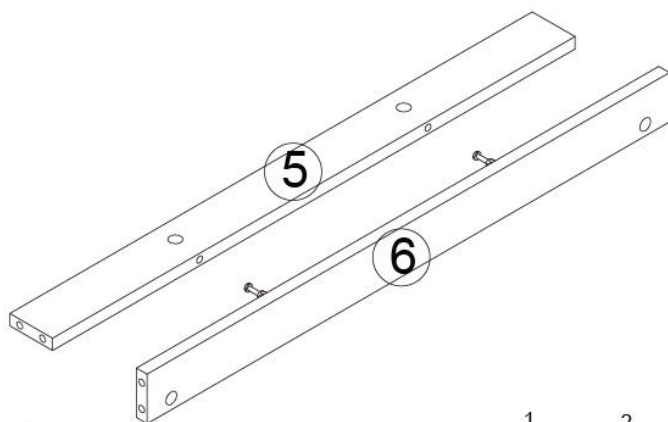
Ø6×40mm


3

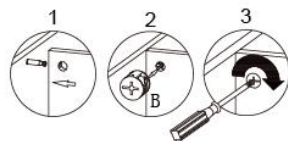


A	X2
	
Ø6×40mm	

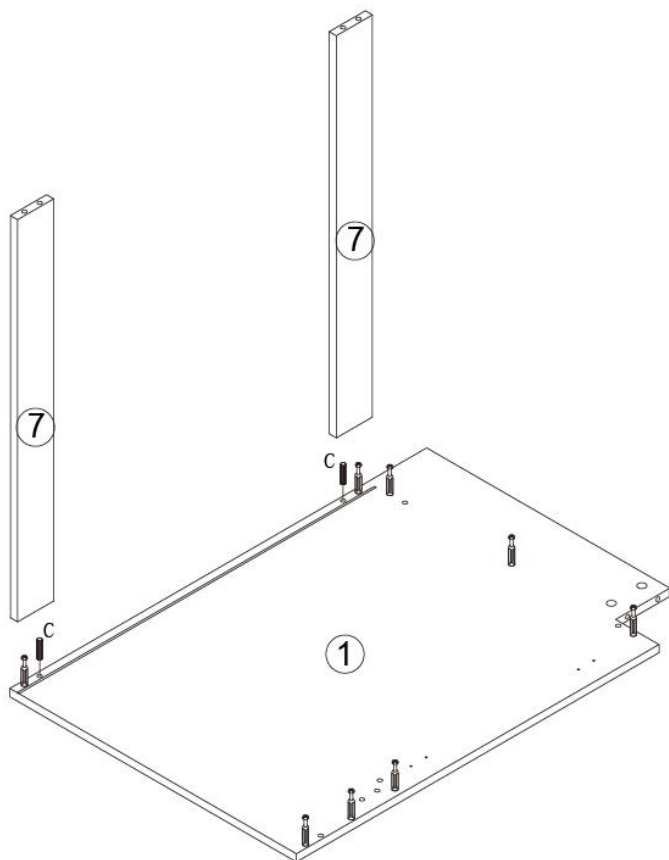
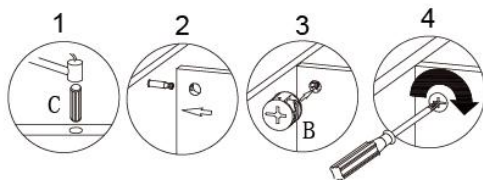
4





B	X2
	
Ø15×11	

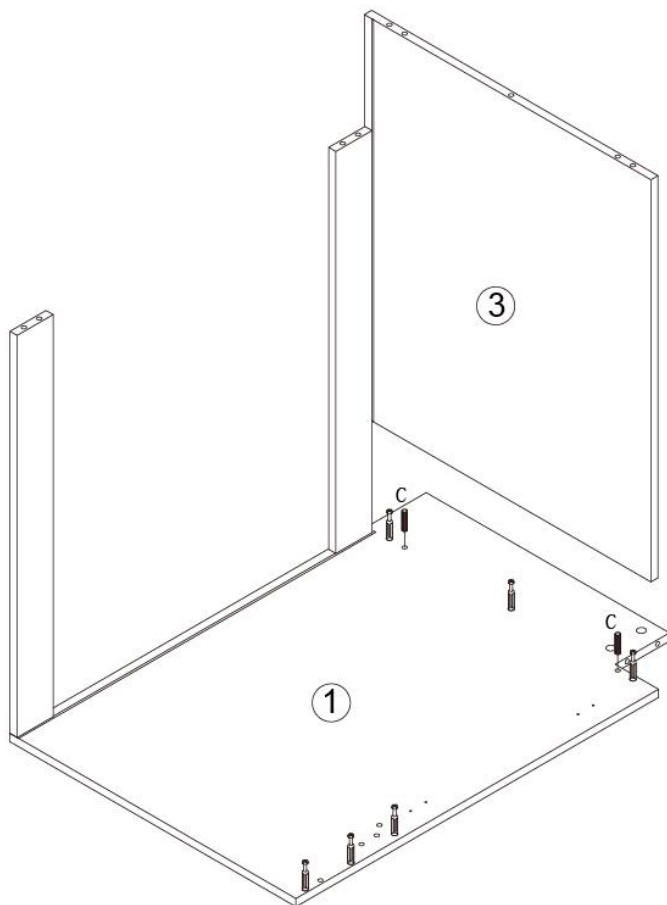
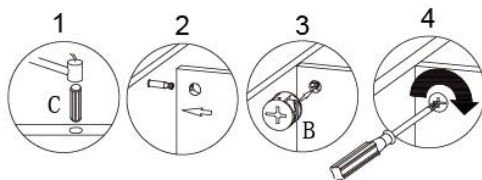




5



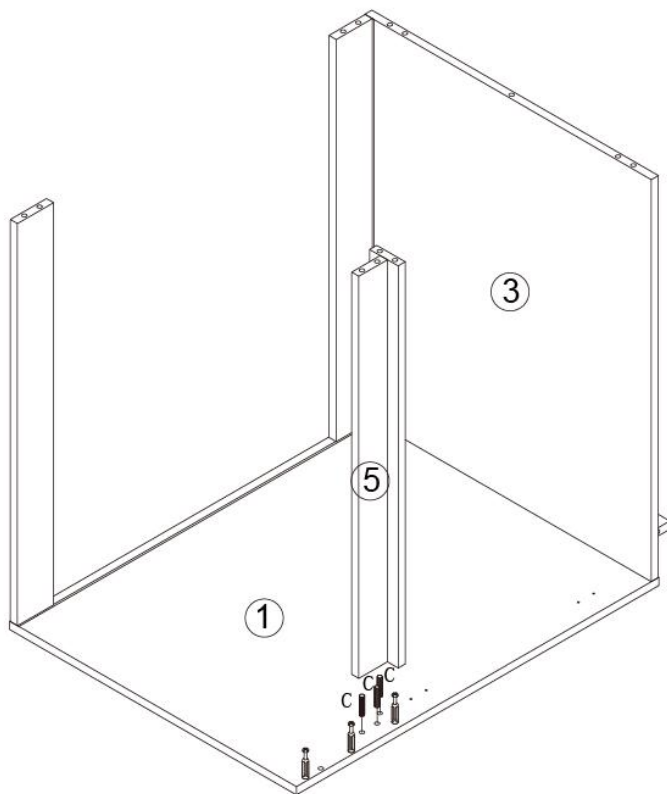
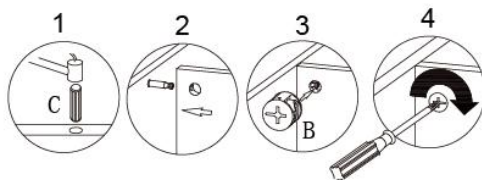
B	X2	C	X2
			
Ø15×11		Ø8×30	



6



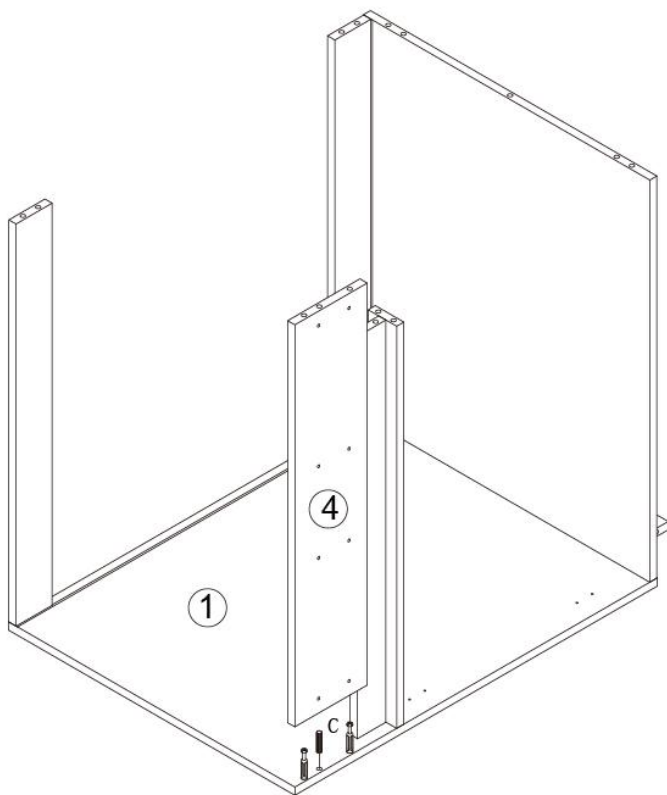
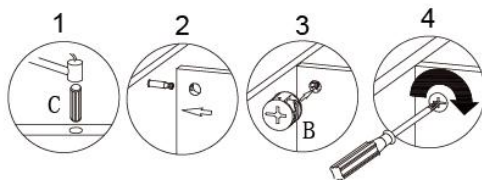
B	X3	C	X2
 Ø15×11		 Ø8×30	



7



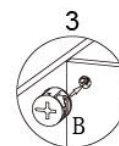
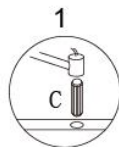
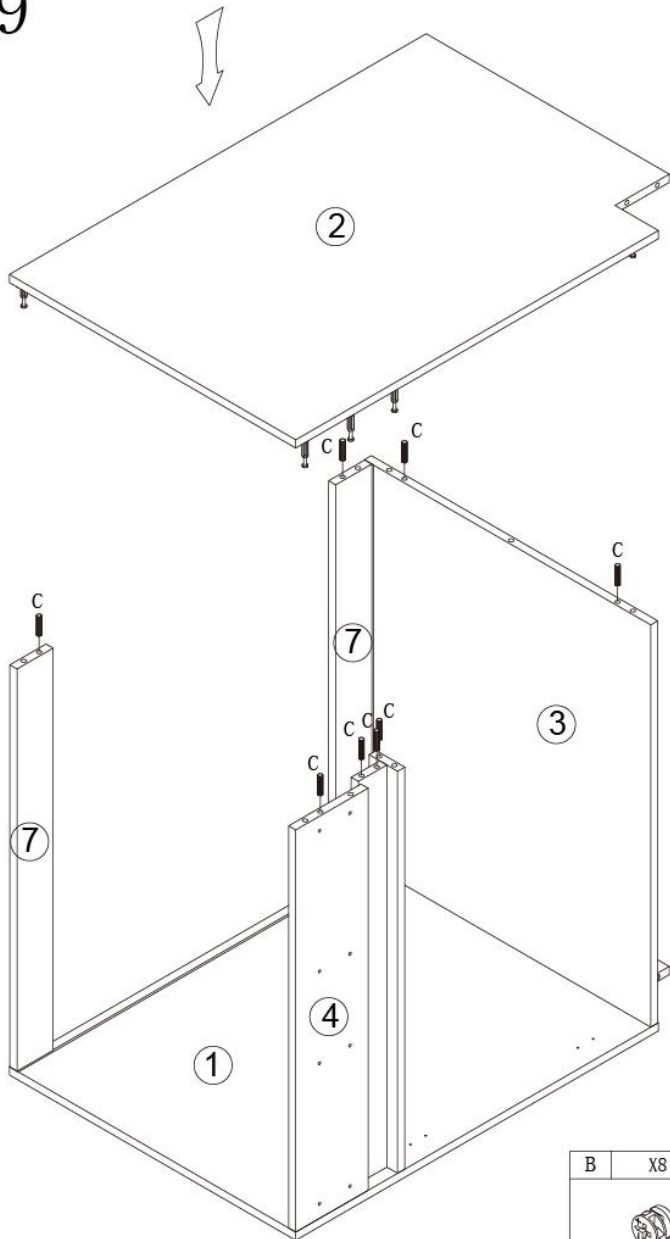
B	X1	C	X3
			
Ø15×11		Ø8×30	



8



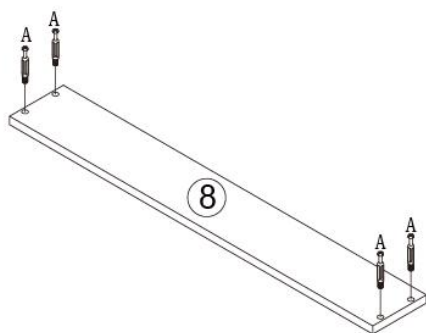
B	X2	C	X1
			
Ø15×11		Ø8×30	

9



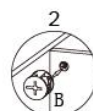
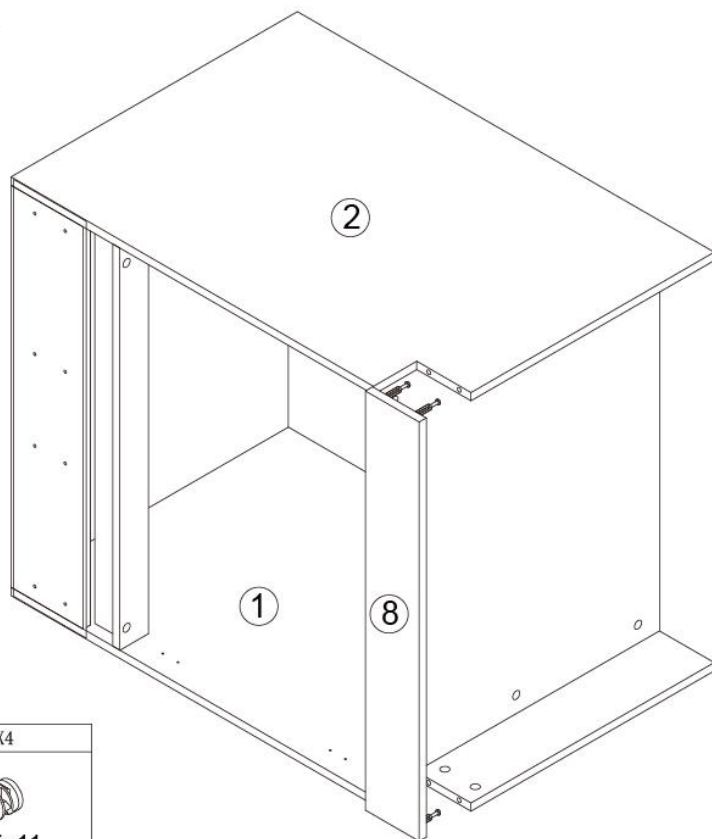
B	X8	C	X8
 Ø15×11		 Ø8×30	

10



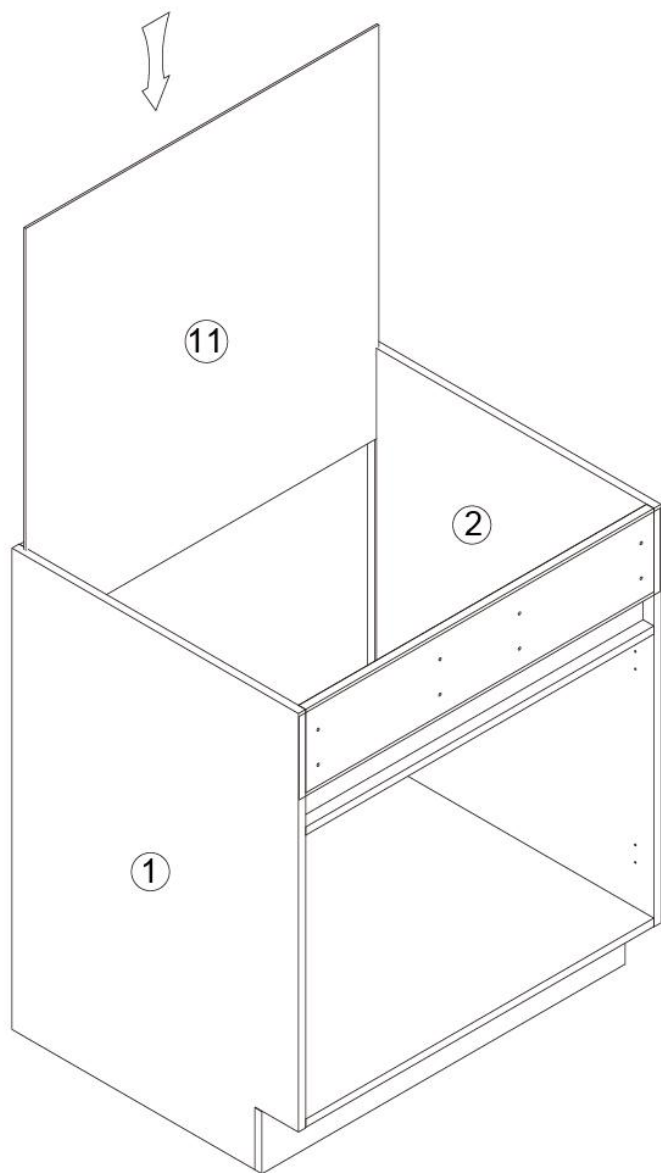
A	X4
Ø6×40mm	

11

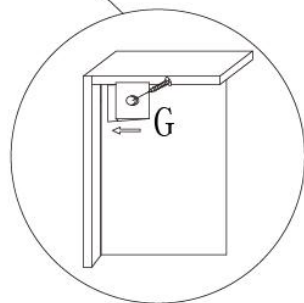
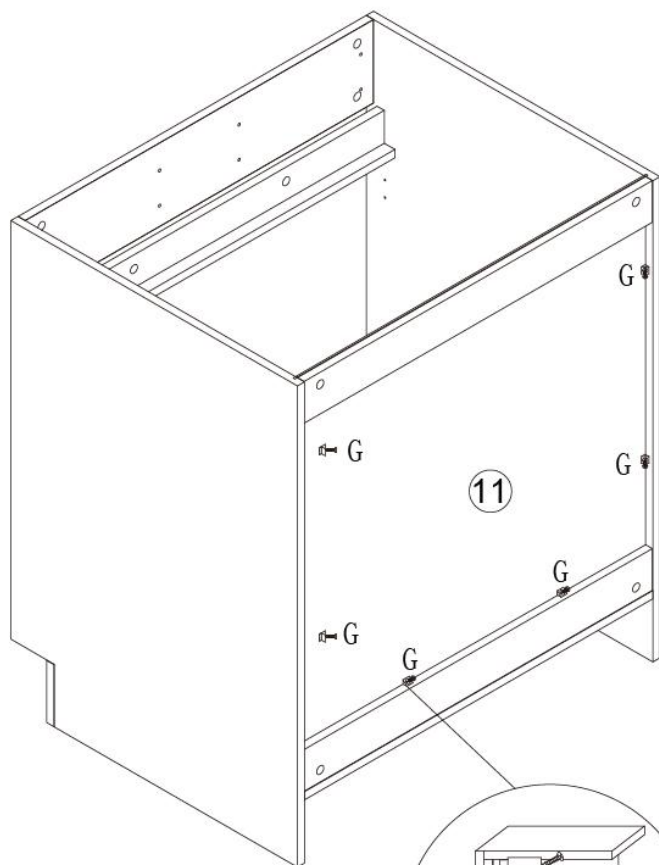



B	X4
Ø15×11	

12

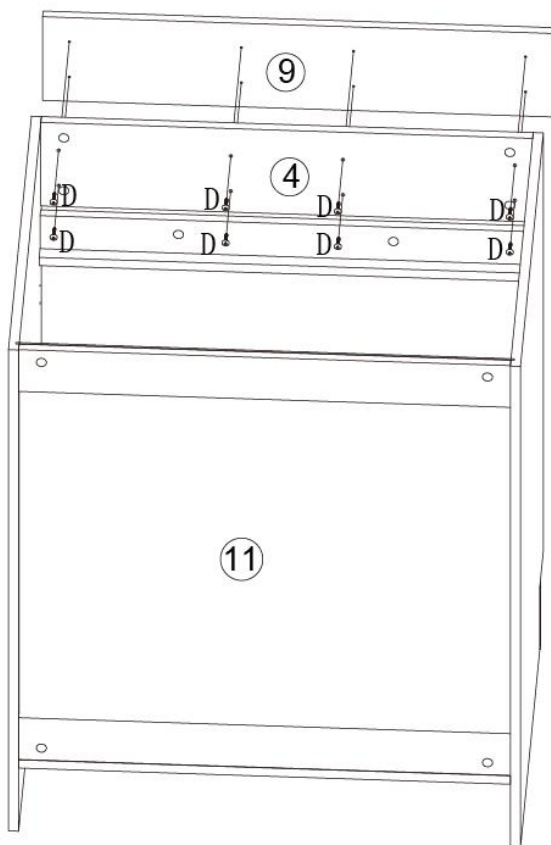



13



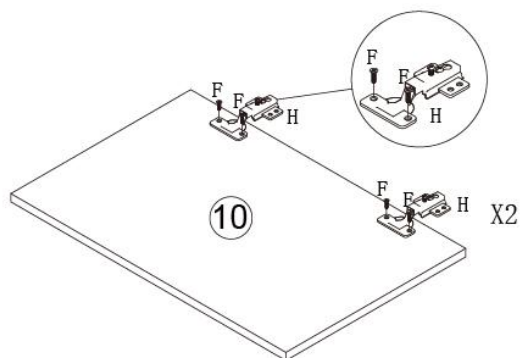
G	X6
	
Ø3.5×14mm	

14



D	X8
	
Ø4×25mm	

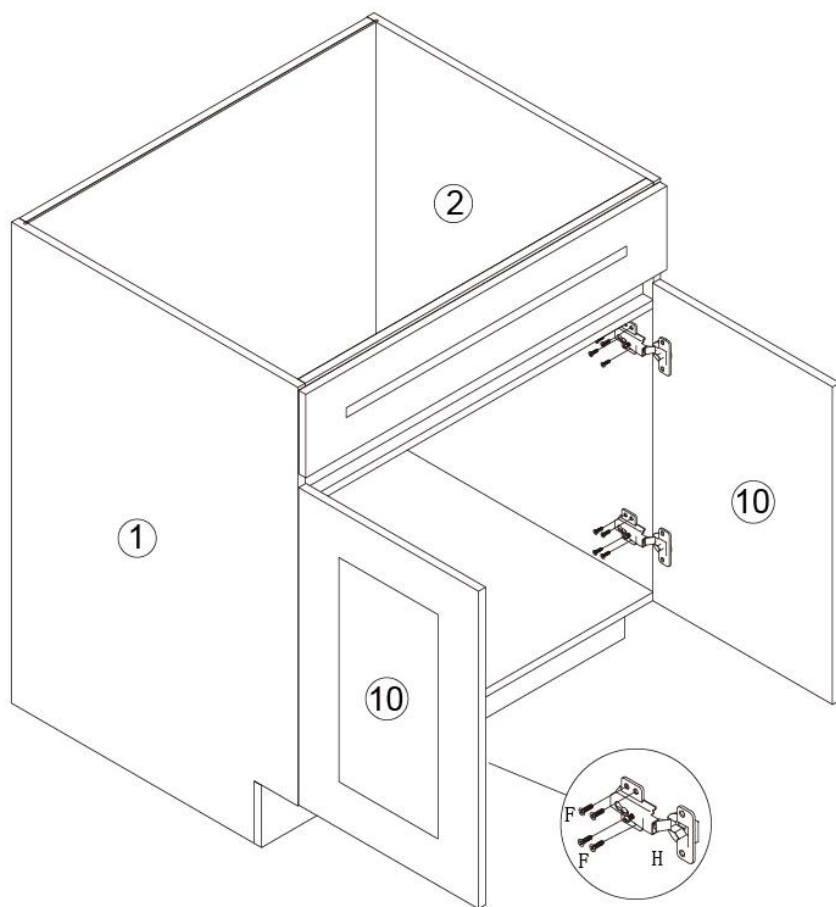
15



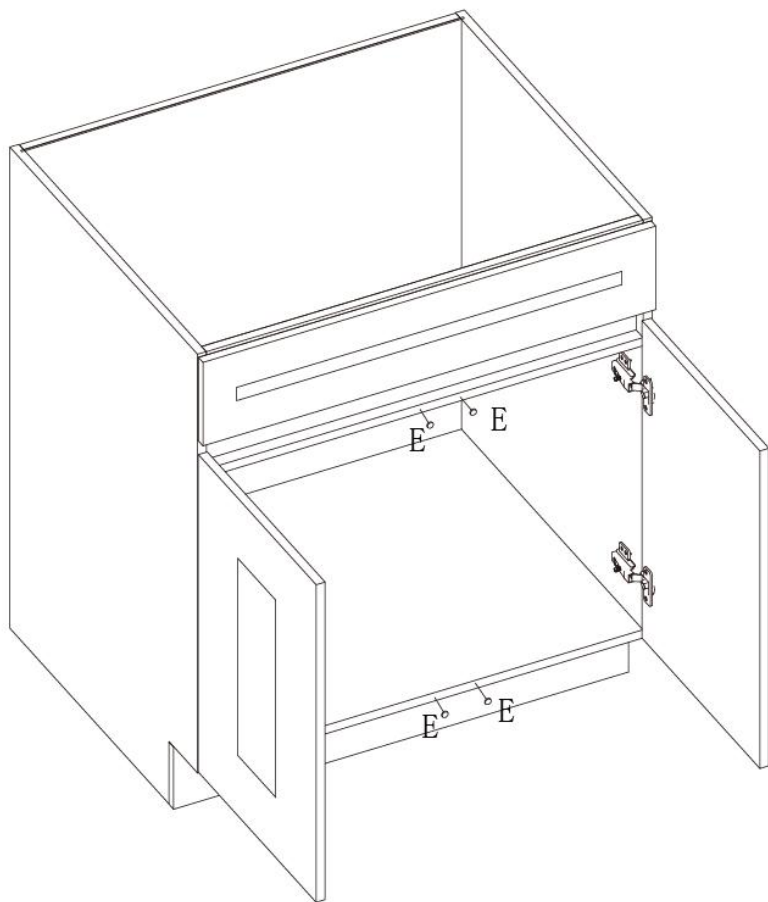
F	X24
---	-----


Ø3.5×14mm

H	X4
---	----

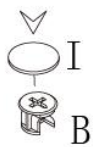
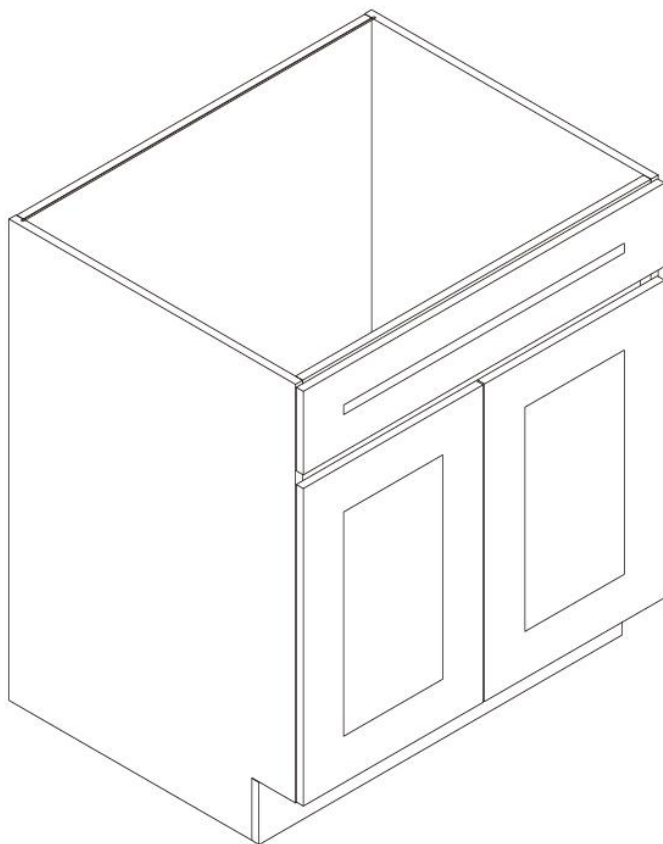



16



E	X4
 Ø10	

17



I	X22
	
Ø20	

VEVOR[®]

TOUGH TOOLS, HALF PRICE

Technical Support and E-Warranty Certificate

www.vevor.com/support