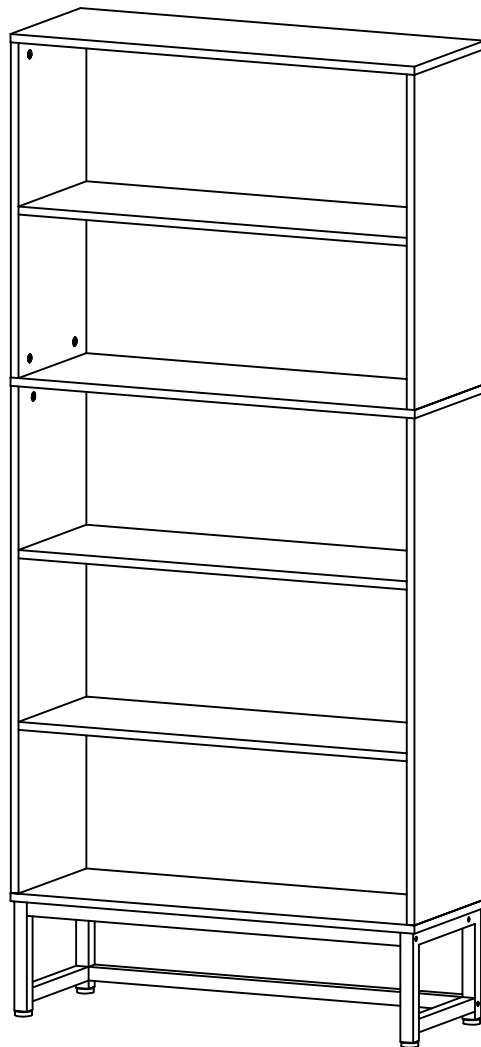


LITTLE TREE  
**Assembly Instructions**



---

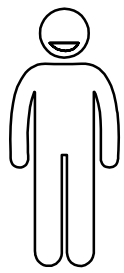
Bookcase

## **Assembly Instructions:**

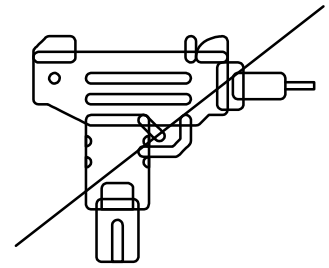
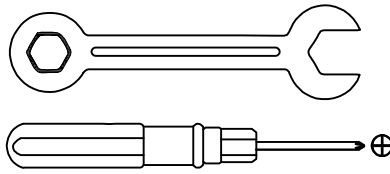
1. Carefully read these instructions and keep them for future reference.
2. Refer to the parts list for guidance and ensure that you have all the pieces before starting the assembly process, if anything is missing, damaged, incorrect, contact us **FIRSTLY BEFORE** assembling.
3. When assembling, place all parts on a soft, clean, and flat surface, such as a carpet, to prevent any scratches.
4. To avoid misalignment of the holes, Please don't full tighten the screws until you ensure all parts in place.

---

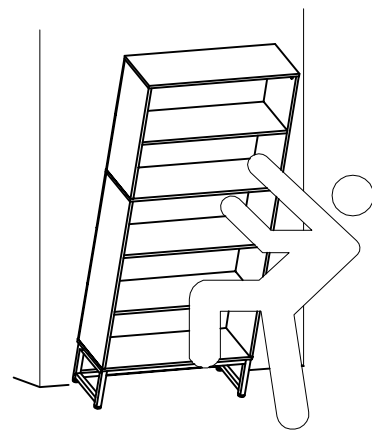
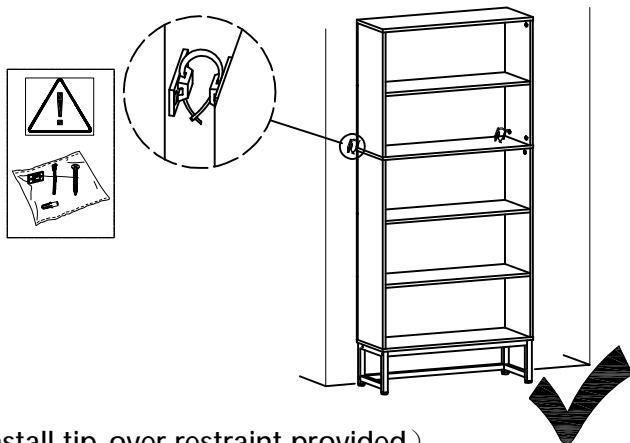
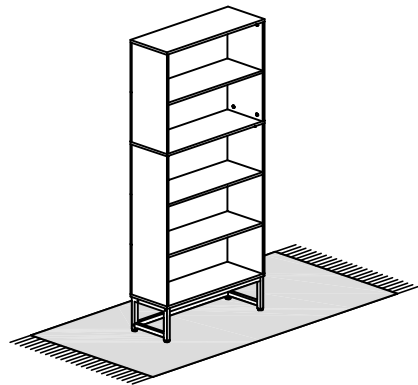
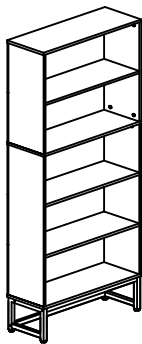
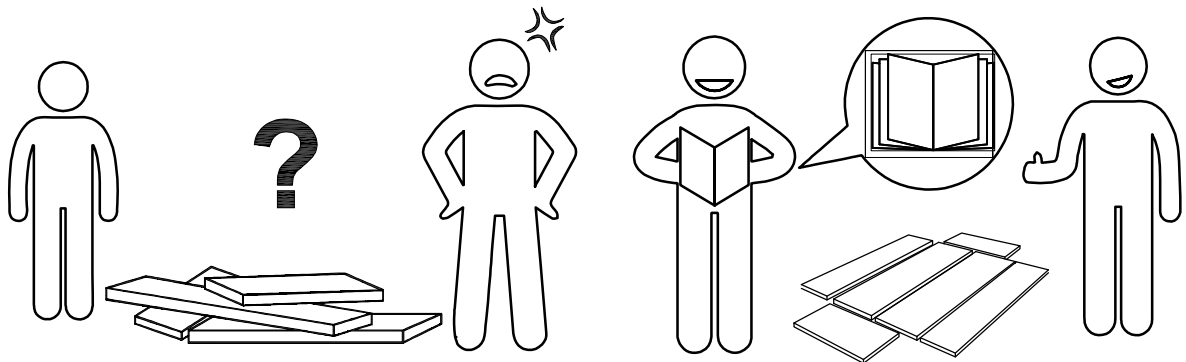
**Follow Tribesign:**



**X2**

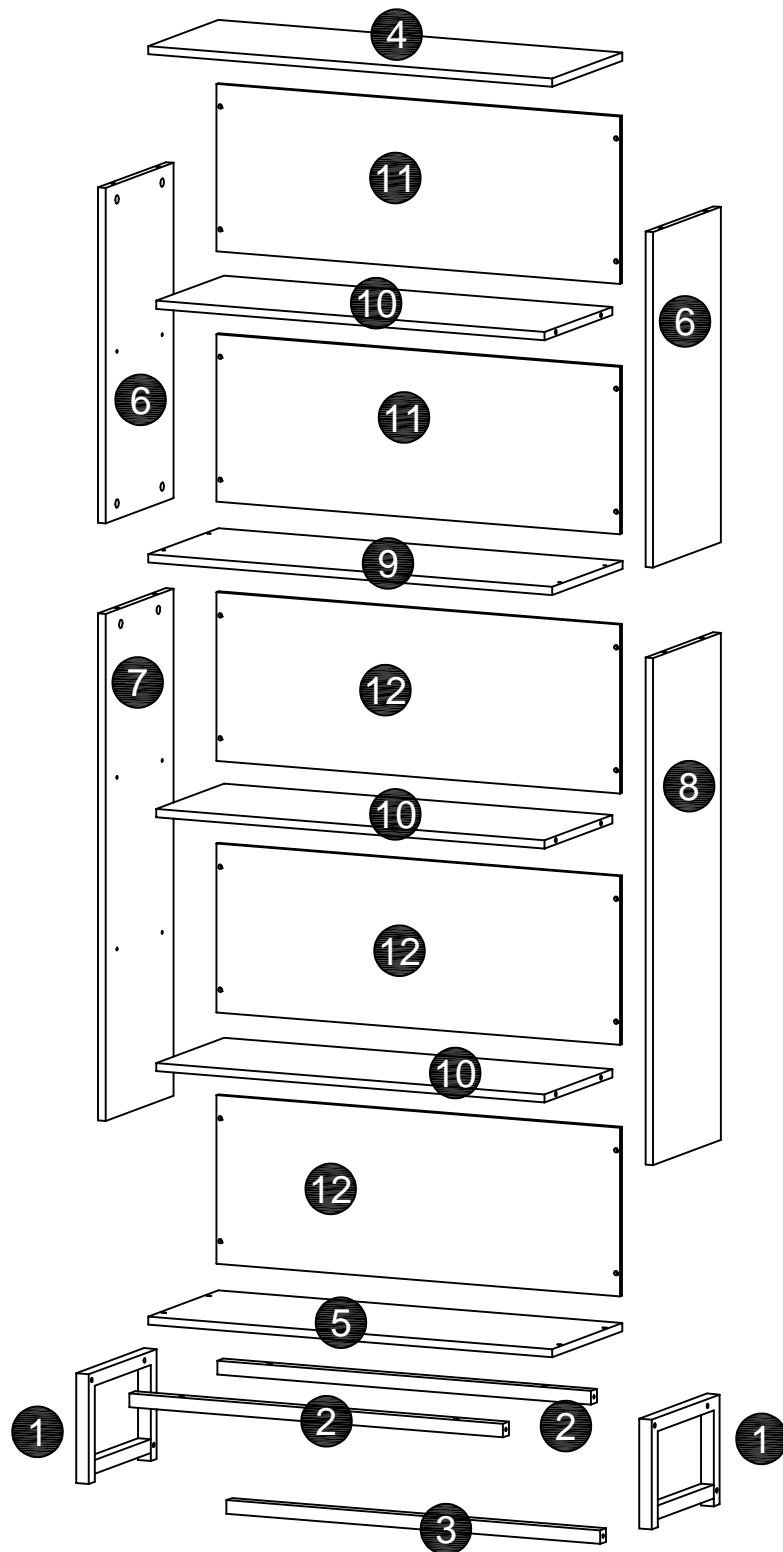


When using the electric screwdriver ,  
Reduce the power and torque to avoid damaging the furniture



( Install tip-over restraint provided )

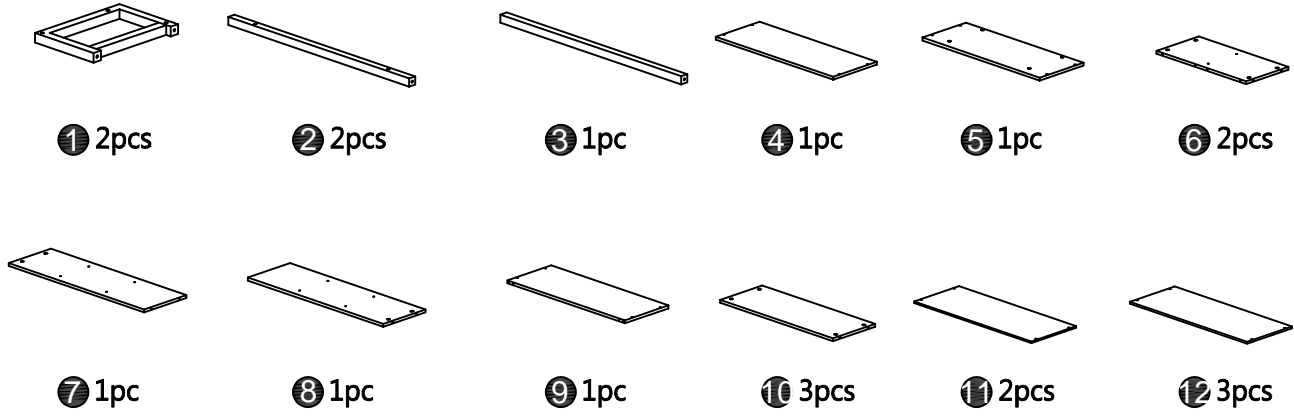
Use of tip-over restraints may only reduce but not eliminate,  
the risk of tip-over.



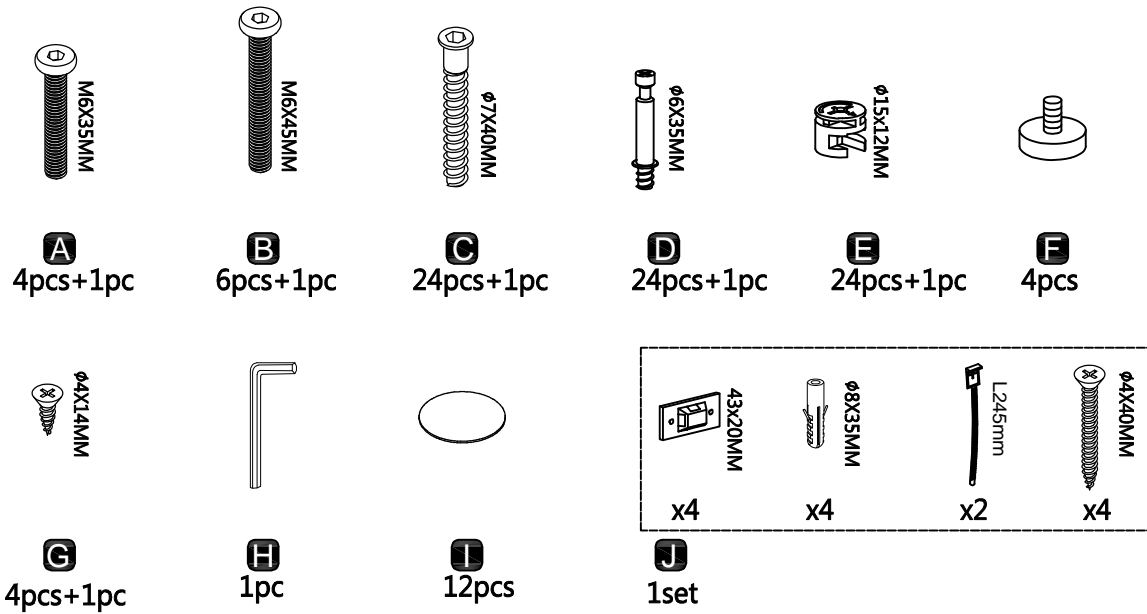
**⚠ Caution**

Make sure all parts are included. Most board parts are labeled or stamped on the raw edge. contact us for free replacement if having damaged or missing parts.

## Parts & Hardware List

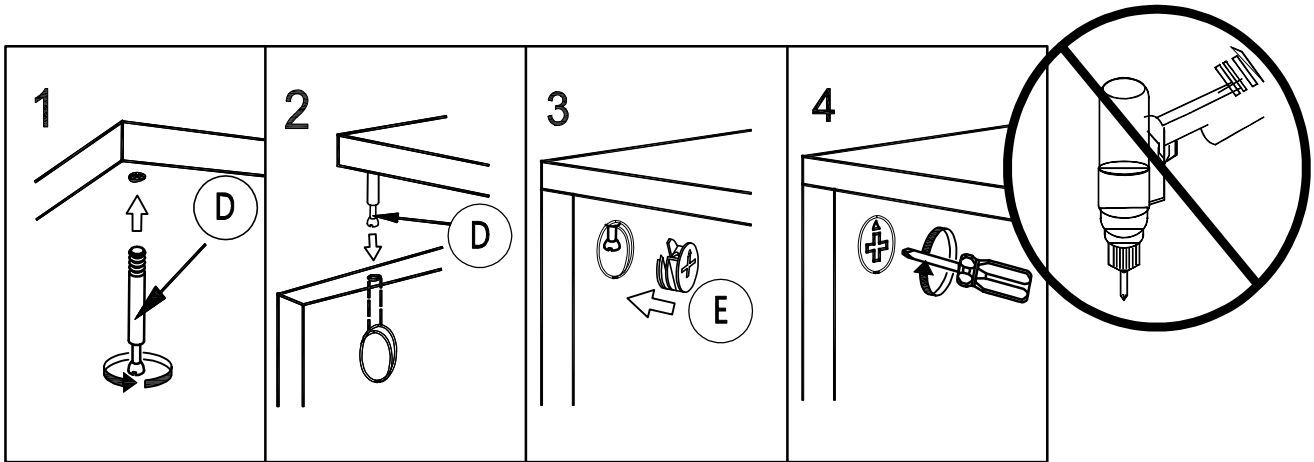


## Hardware List

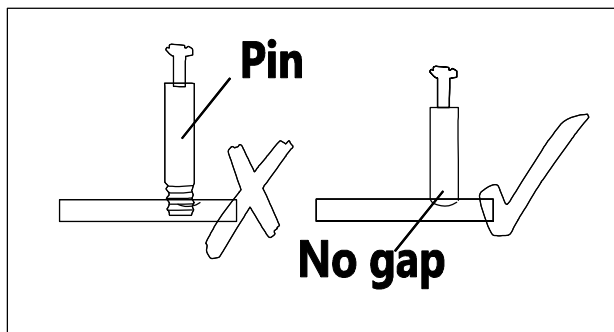


## Installation of Cams and Pins

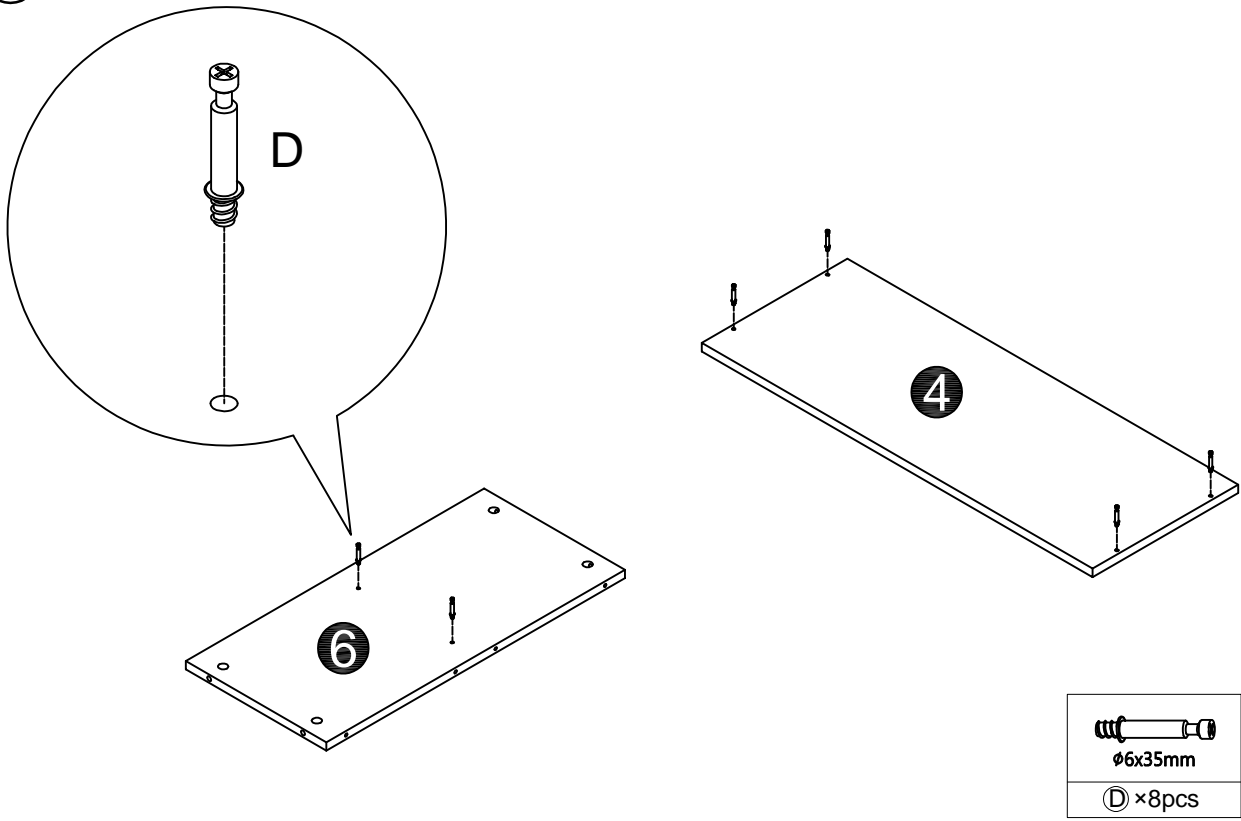
Screw the pin into the hole. To set the cams correctly, ensure that the arrow on the cam is opening to the hole of the pin it is locking. Lock the cam by turning the cam head with a screwdriver until it is tightened. Please do not use an electric screwdriver to assemble the unit.



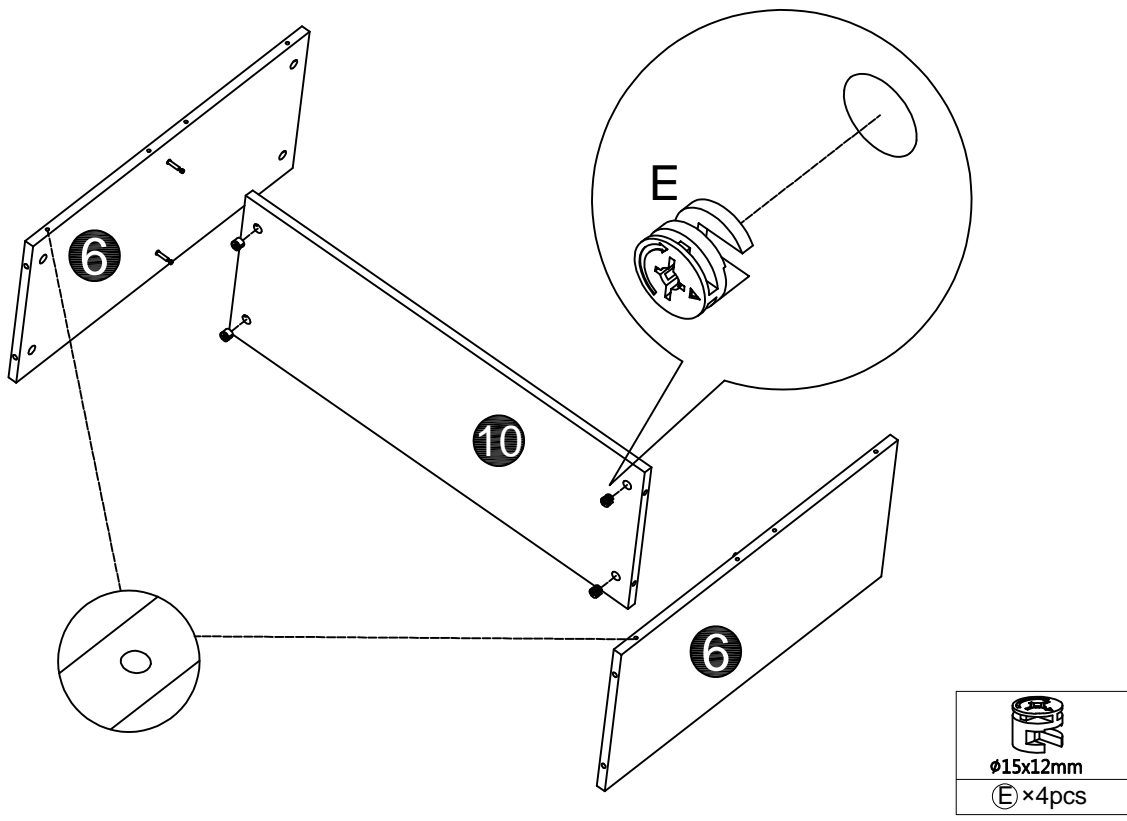
Read each step carefully before starting. It is very important that each step of instruction is performed in the correct order. If these steps are not followed in sequence, assembly difficulties will occur.



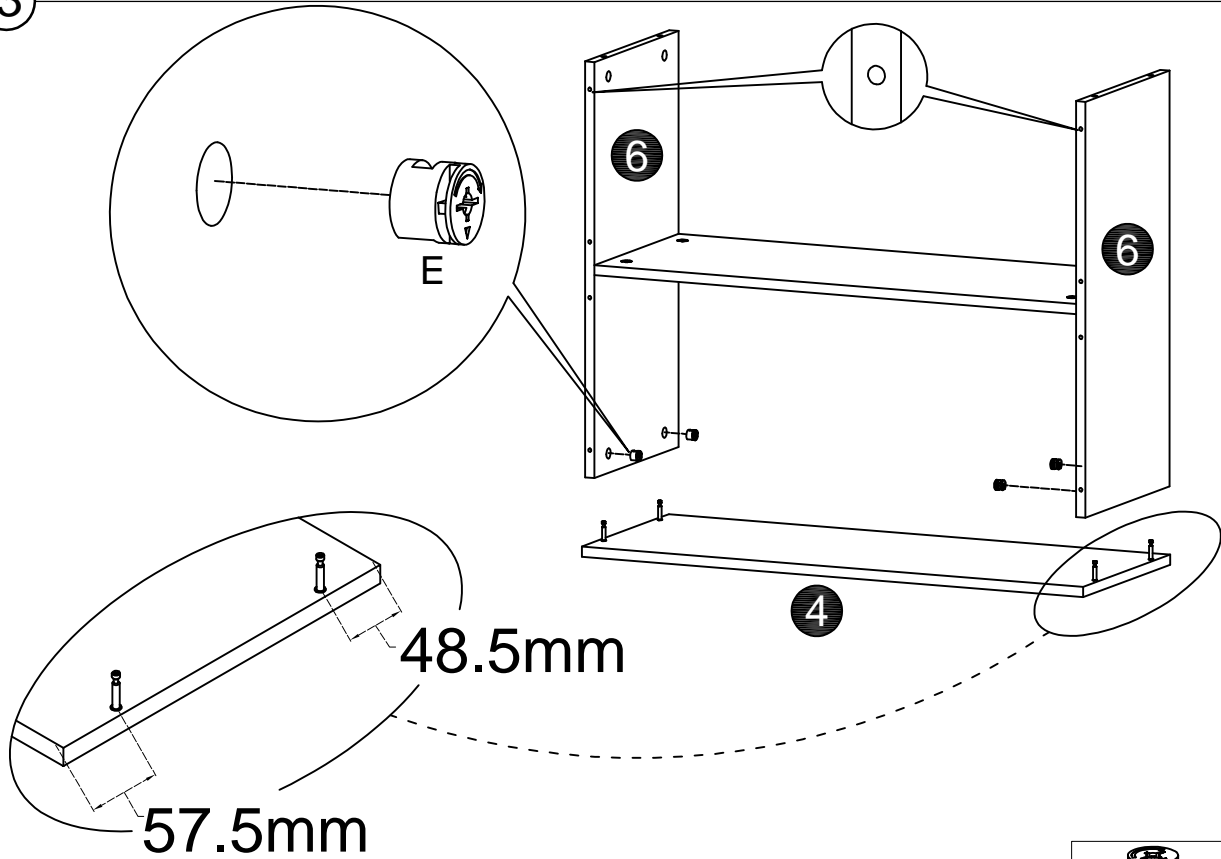
1



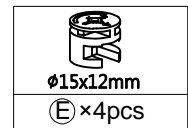
2



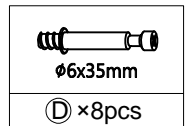
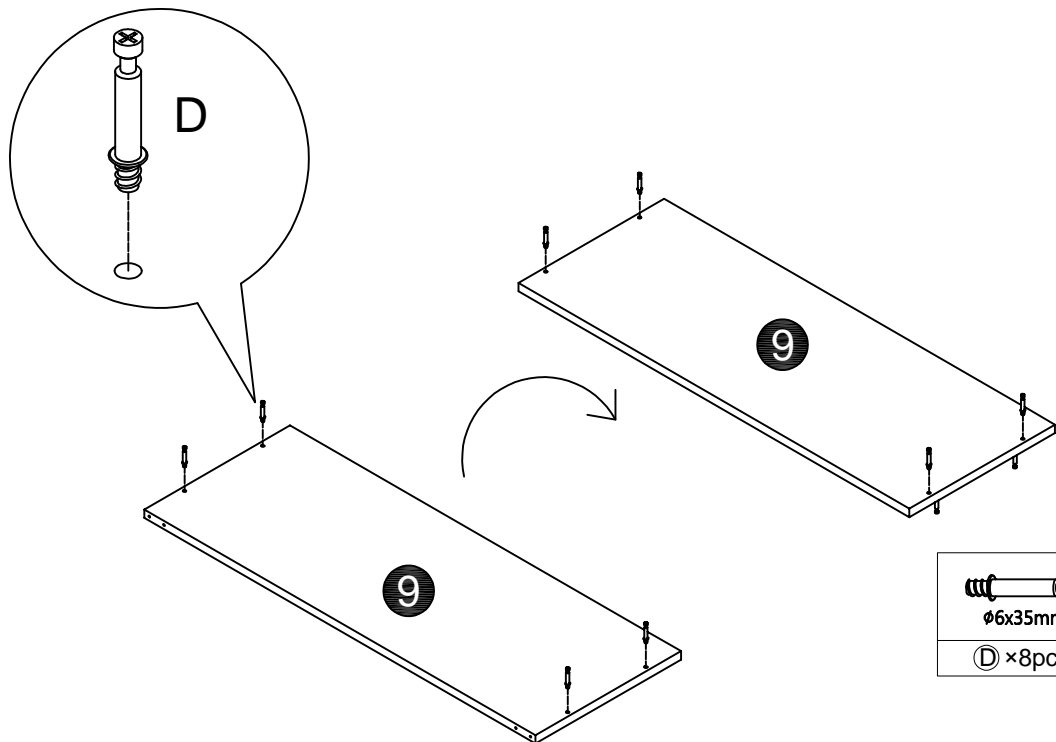
3



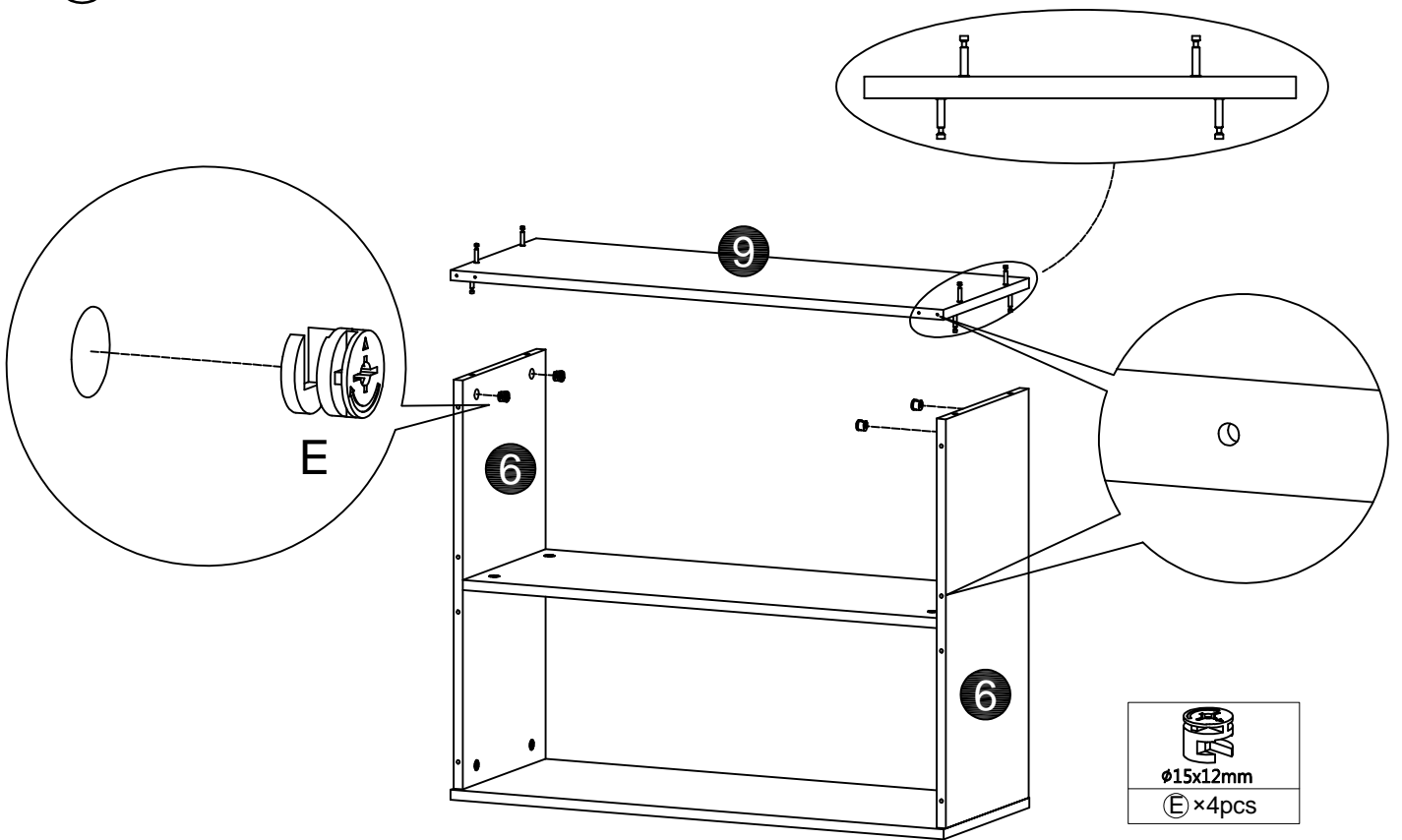
The hole that is farther from the edge is the back, the hole closer to the edge is the front.



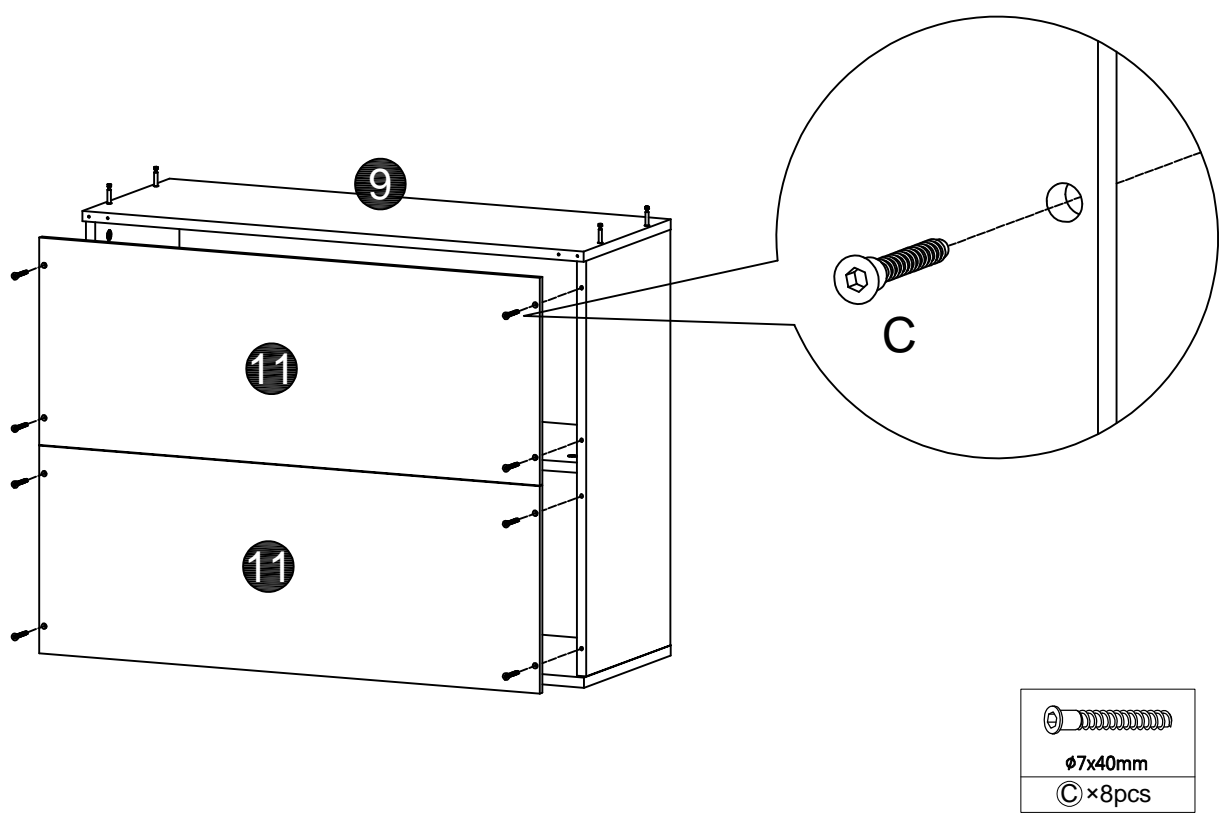
4



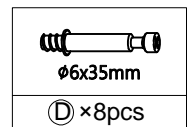
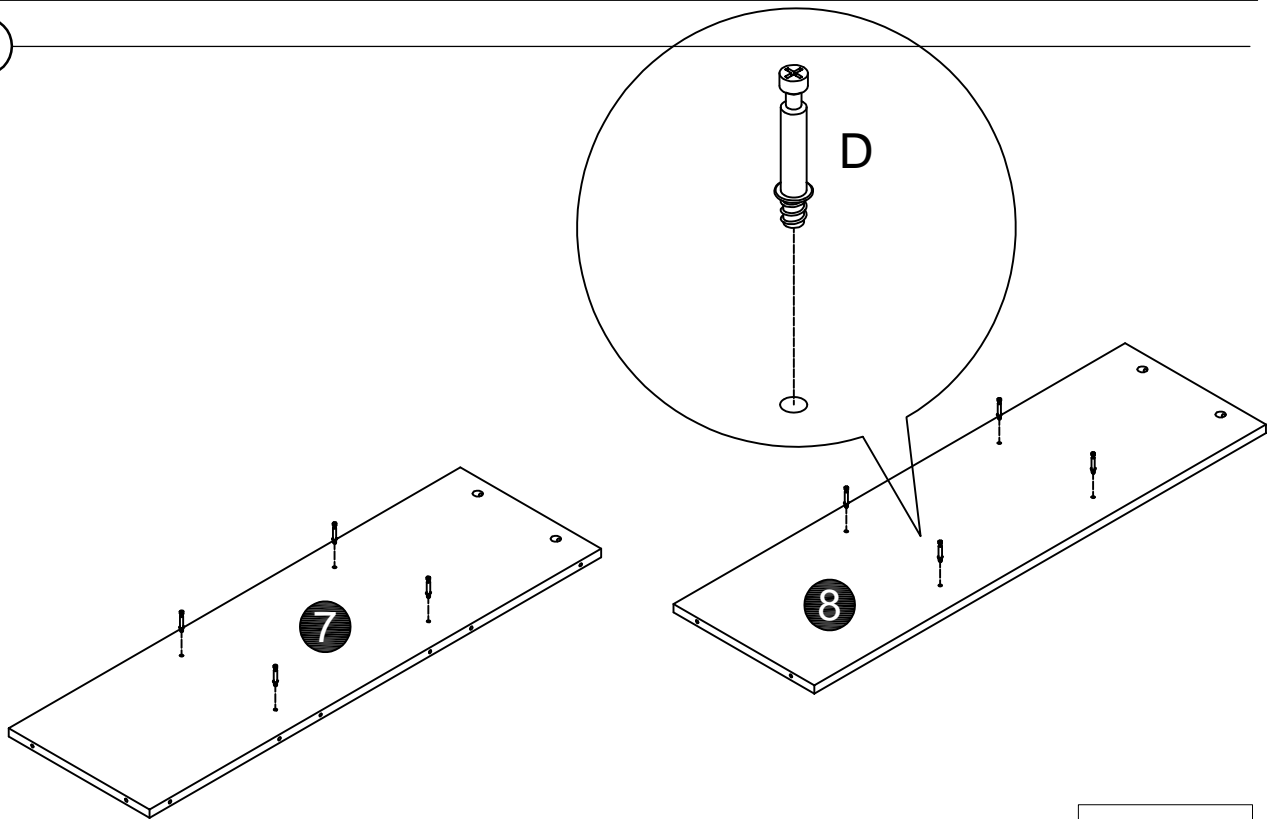
5



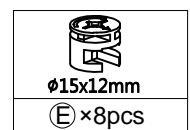
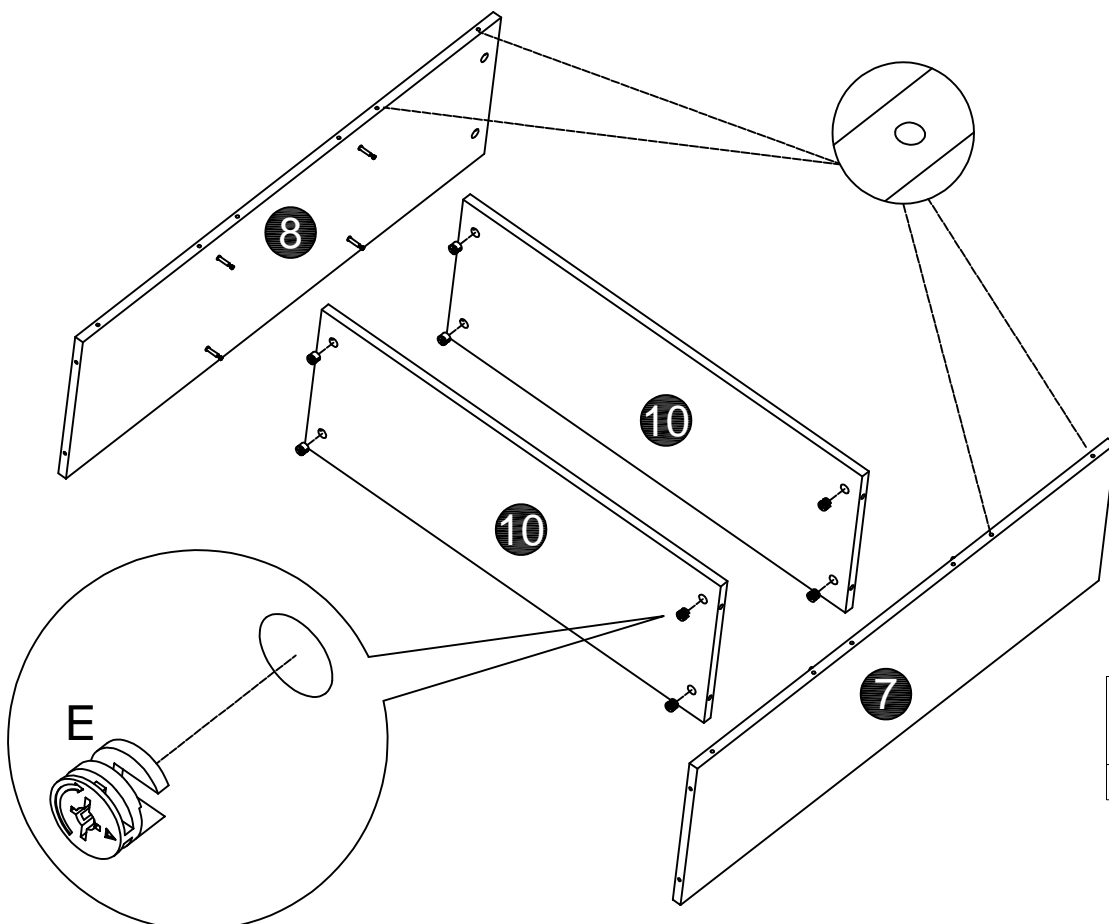
6



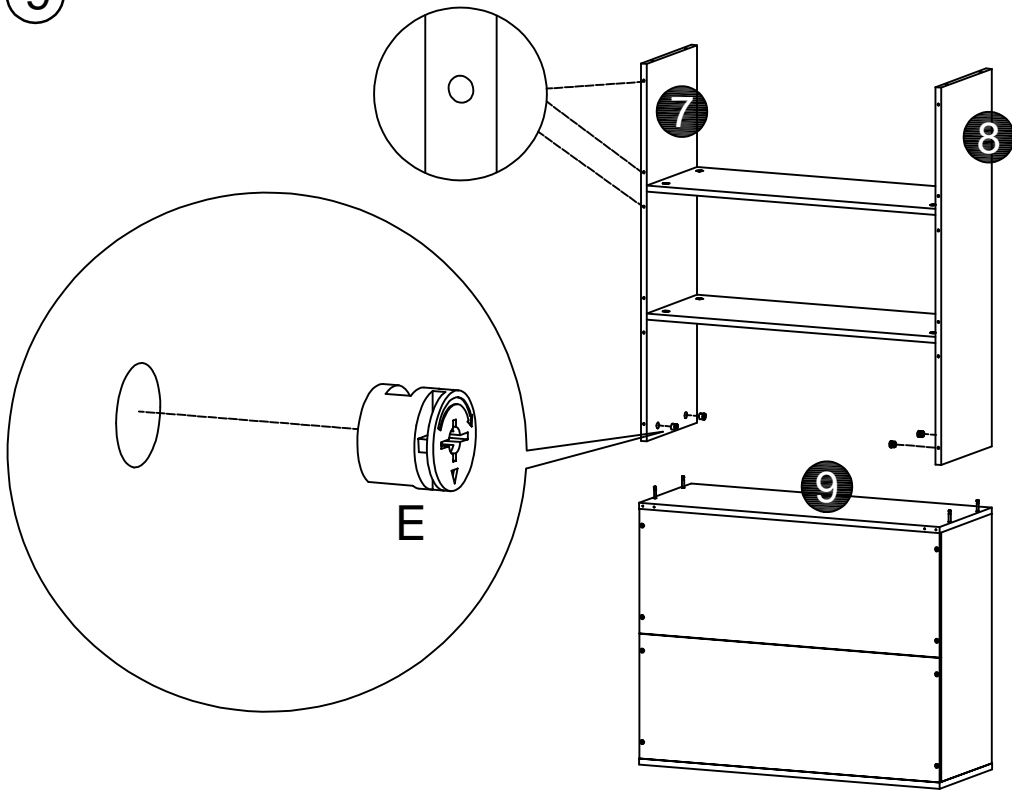
7



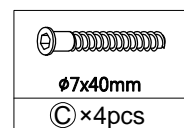
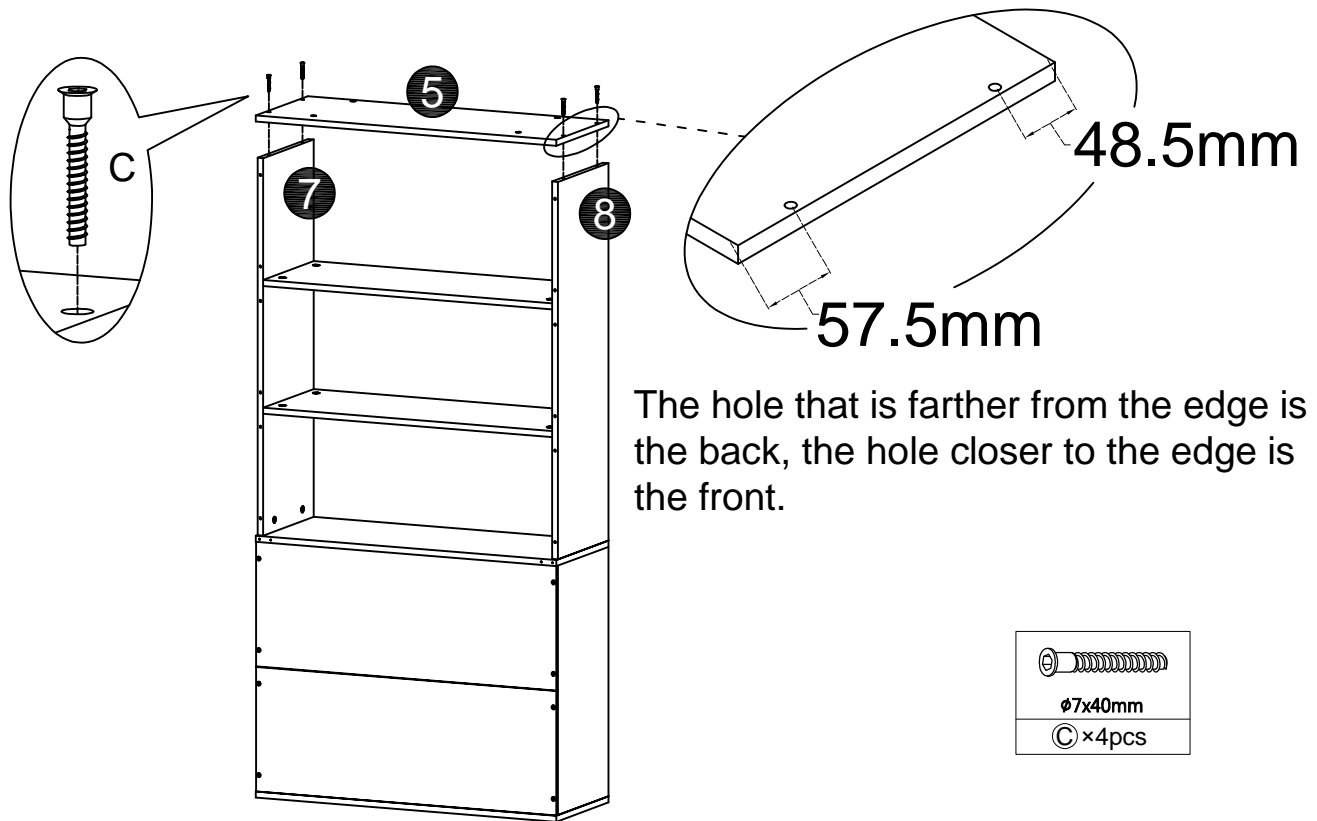
8



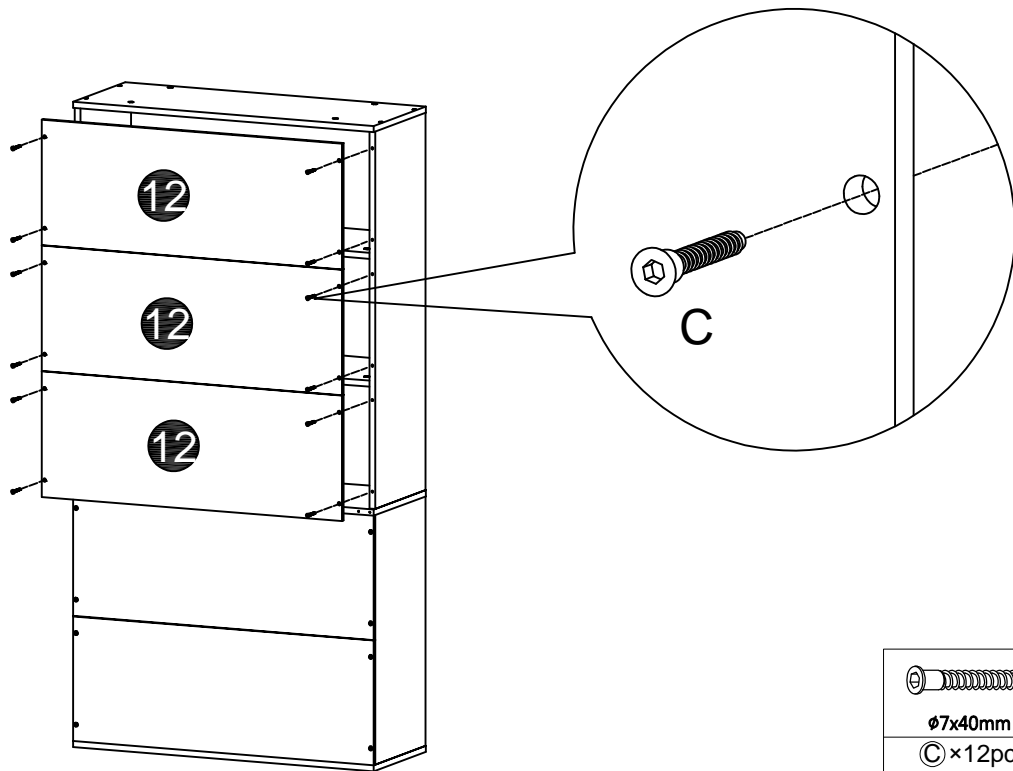
9



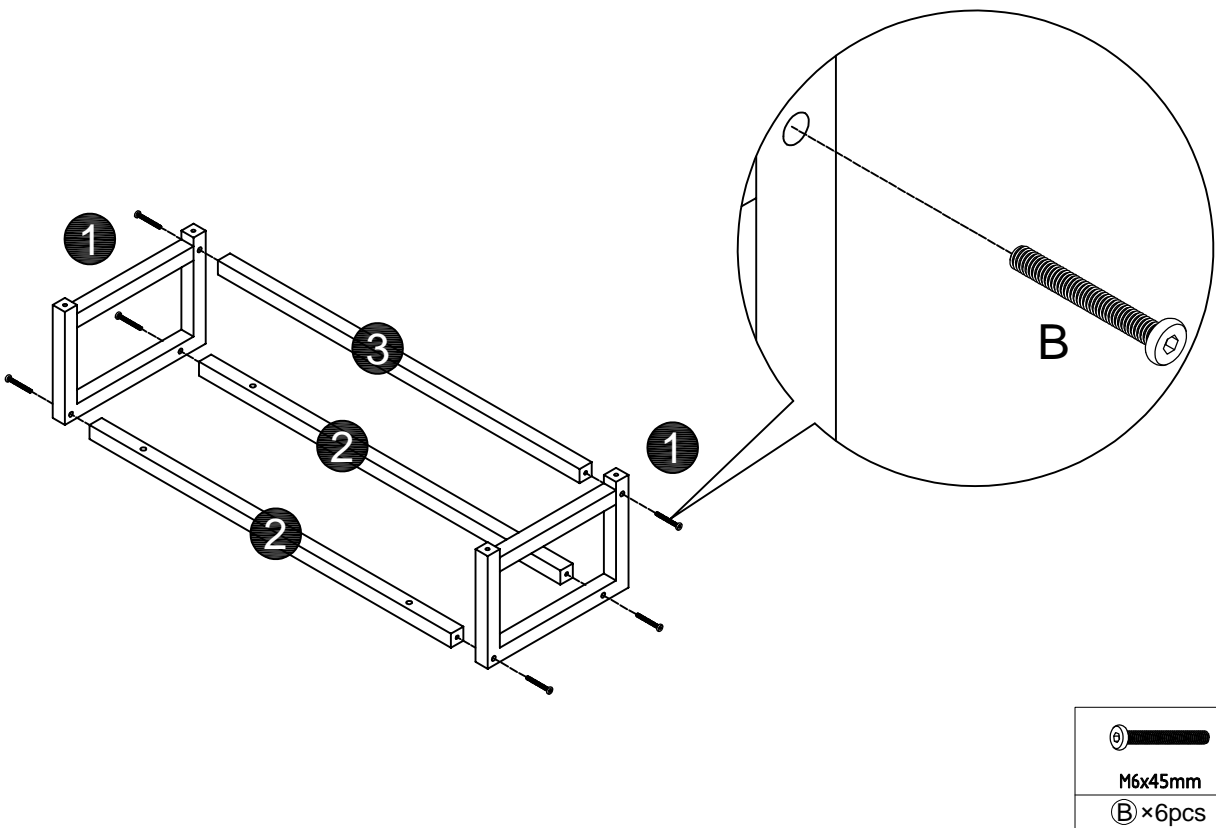
10



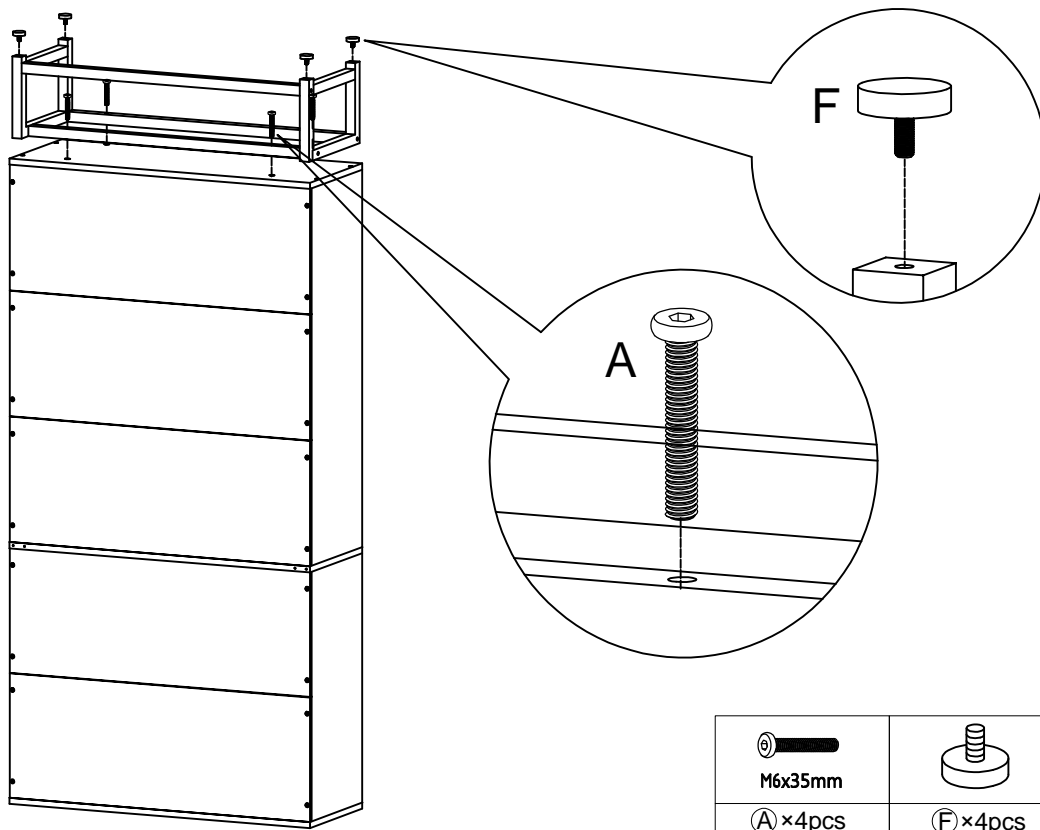
11



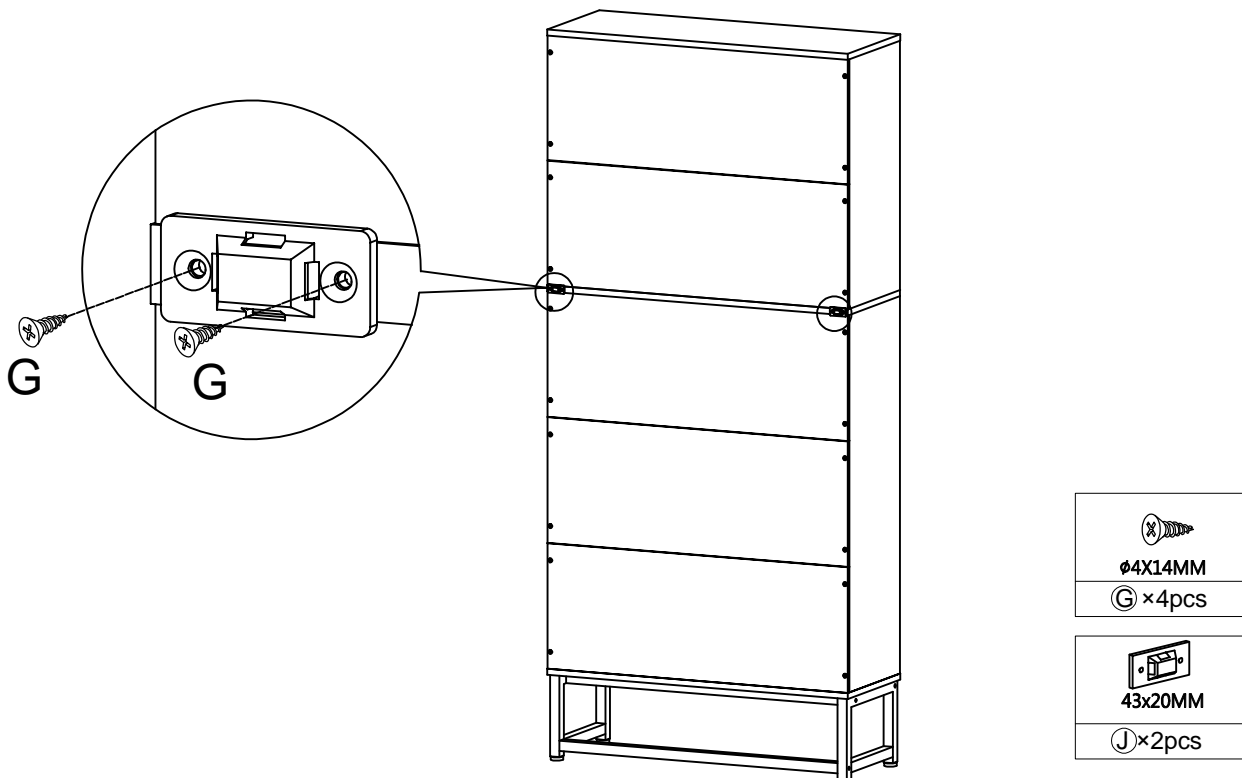
12



13



14



15

