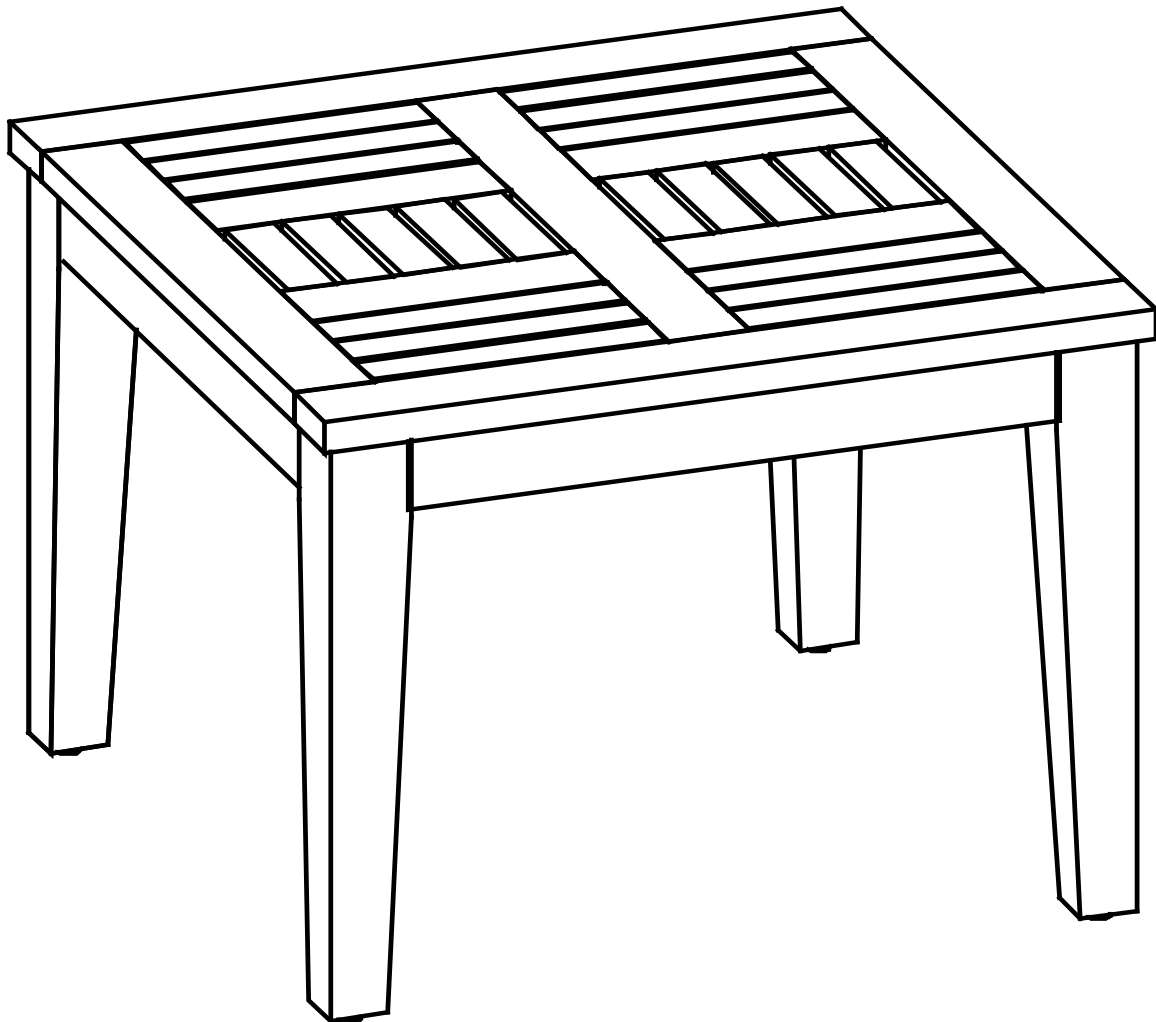


Assembly Instructions

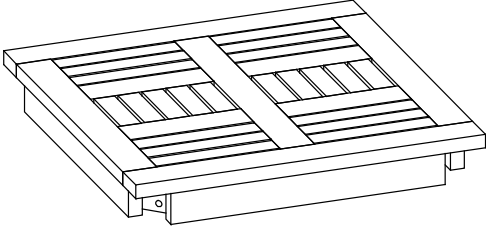

Caution: You must read this before you proceed

SIDE TABLE



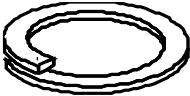



CAUTION: This Table is NOT a TOY.
Keep your child / children at bay during the assembly process of assembly.
For turning the Table and to prevent damage to the Table, 02 persons may be needed to execute this action

Parts List

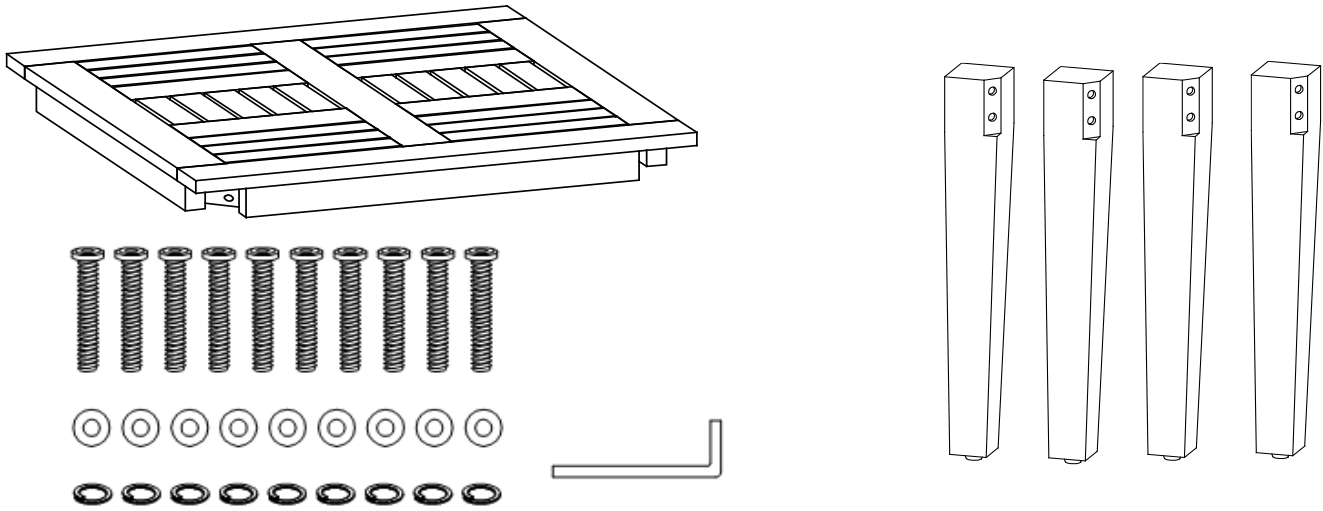
Label	Picture	Description	QTY
A	 A perspective drawing of a square table top with a grid of slats. The top is supported by a frame with small feet at the corners.	Table Top	1
B	 A perspective drawing of a single, tapered table leg. It is rectangular in cross-section and has two small circular holes near the top.	Leg	4

Hardware

Label	Picture	Description	QTY
①	 A perspective drawing of a standard hex-head bolt with a threaded shaft.	Bolt (M8x50 mm)	9
②	 A perspective drawing of a flat washer with a central hole.	Washer (M8.5/16x2mm)	9
③	 A perspective drawing of a spring washer, which is a ring with a split edge and a spring-like shape.	Spring Washer (M8.5/11x1mm)	9
④	 A perspective drawing of an L-shaped Allen key with a hexagonal end.	Allen Key	1

Assembly Preparation

Before Beginning Assembly:



- Read instructions, cover to cover-



- Have 2 adults on hand for assembly-



- Do not assemble on flooring or carpet-



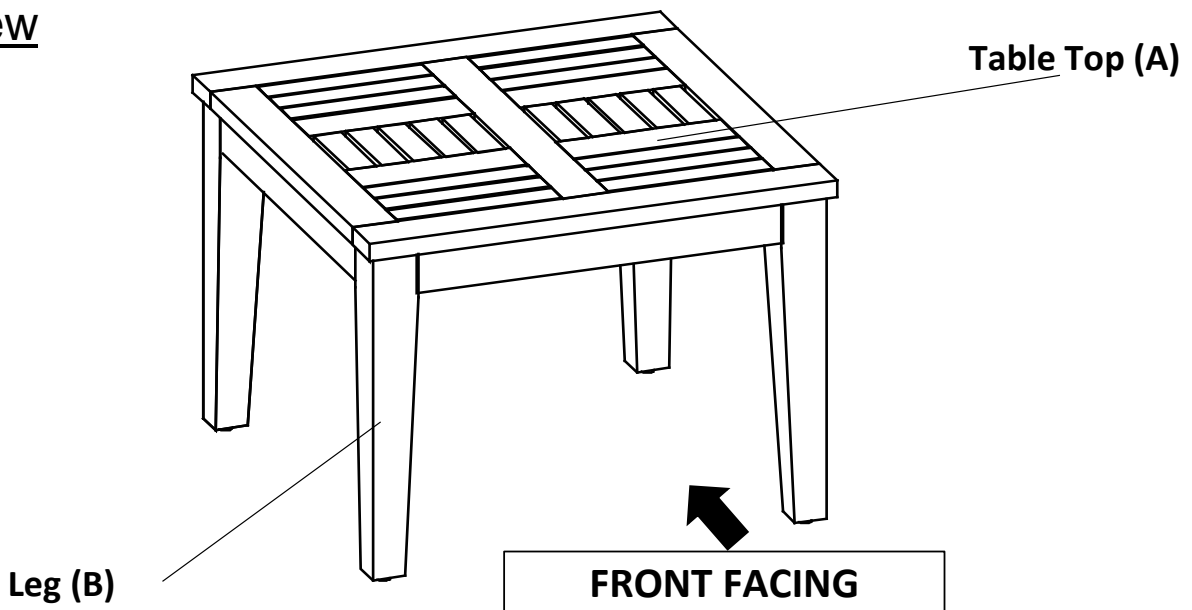
- Assemble on a clean non-marring surface (packing foam)-



- Save all packaging until finished-

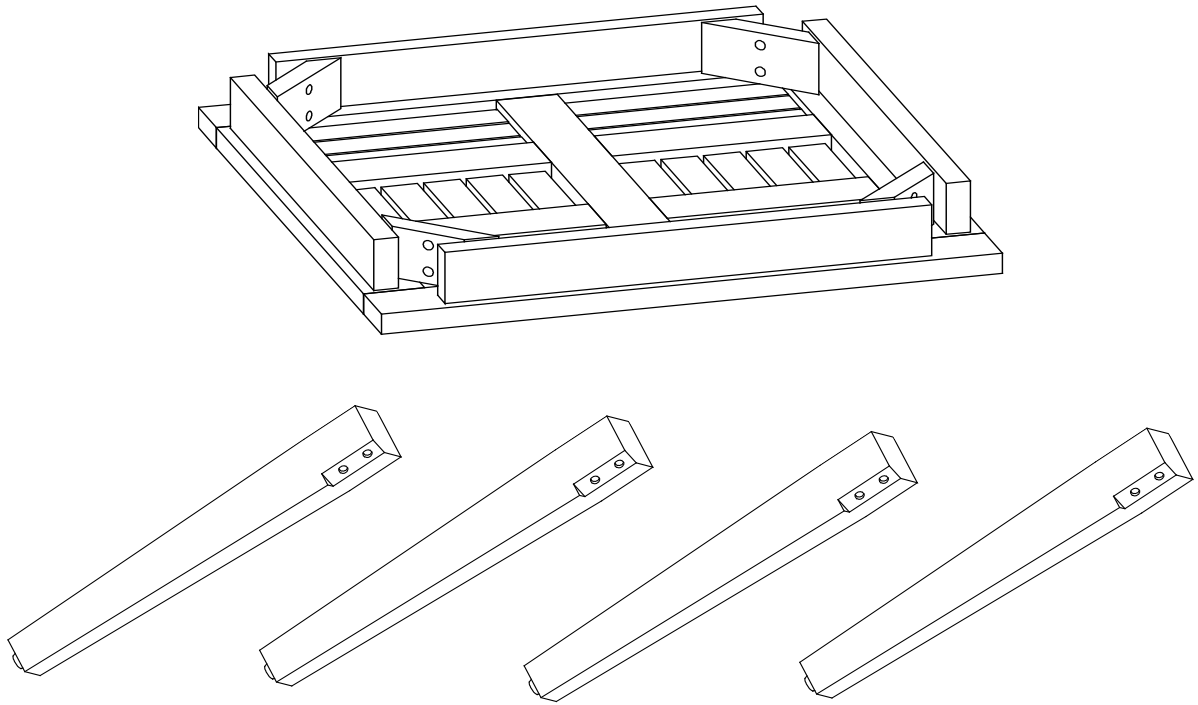
Assembly Steps

Overview



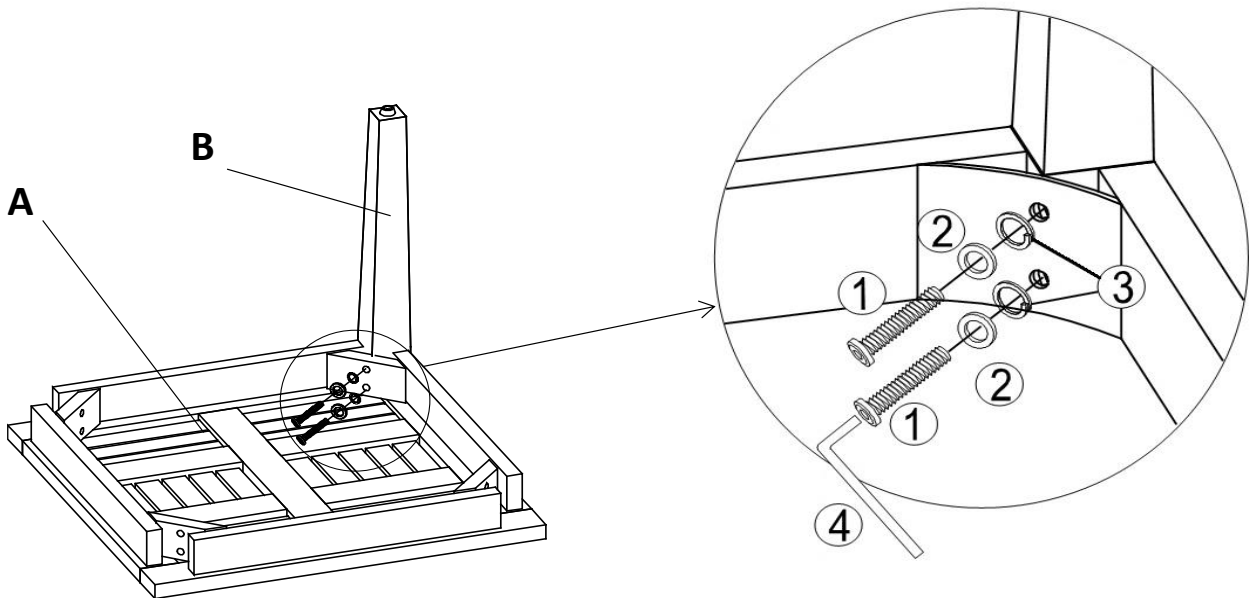
This Table has multiple parts and may require up to 30 minutes to assemble. To give you an overview of the Table, the above picture is to help you put the various parts into perspective. Please read through the instructions below to familiarise yourself with the parts and steps before assembly.

Step 1



Unpack and place all parts on a clean, non-marring surface.

Step 2

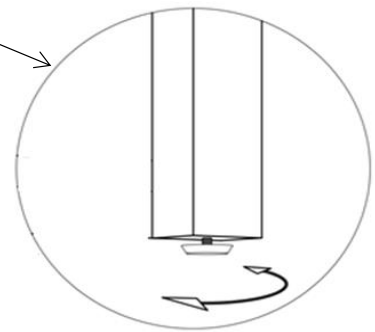
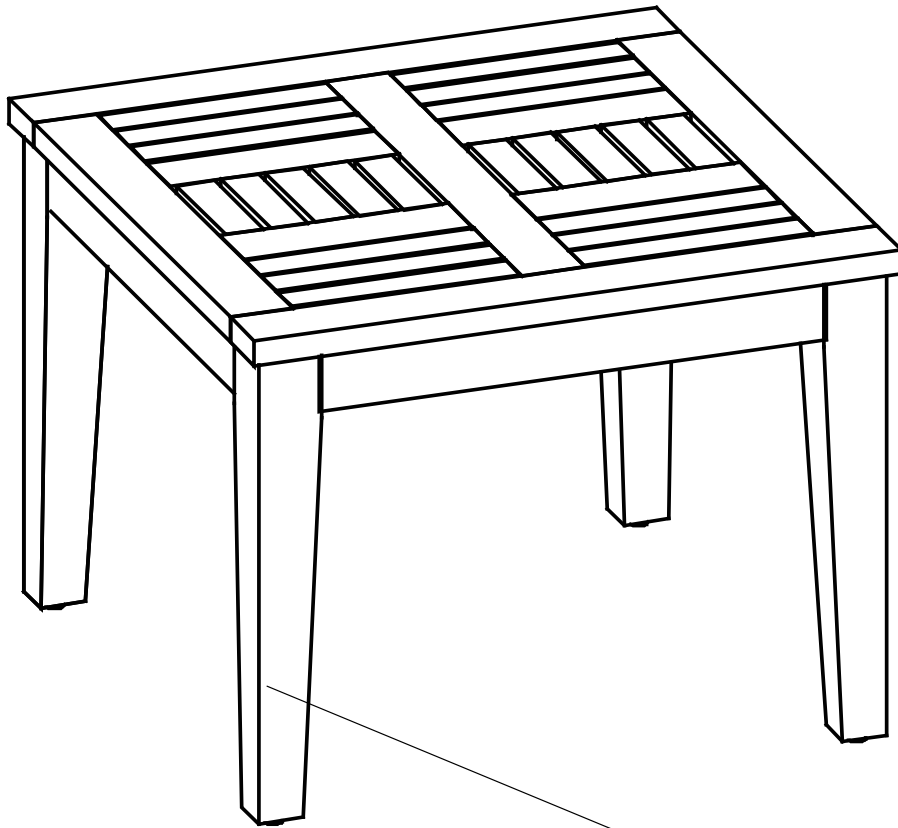


Attach Leg (B) to Table Top (A) by using Bolts (①), Flat Washer (②), Spring Washer (③) with Allen Key (④).

Repeat the same process with the remaining three Legs (B).

Do not fully tighten the Bolts.

Step 3












Turn the Table back to normal flat ground
EXERT pressure, floorwards, onto the Table.
This pressure will help the Legs and Table Top reach alignment at all joints.
Check for wobbles.

In a sequential manner, gradually tighten all Bolts until evenly secured.
Inspect the Table and make sure all parts are adequately connected.
Please use adjustable foot for uneven floors.
Your Table is ready for use.

This Table can only be used on a flat, level surface.

Care & Maintenance

- ⊗  ● Do not put hot items directly on furniture surface.
 - ⊗  ● Do not clean furniture with harsh cleansers or polish.
 - ✓  ● To obtain the longest lifespan of your outdoor products, minimizing exposure to direct sunlight is recommended.
 - ⊗  ● Children should not climb or jump on the furniture.
 - ⊗  ● Do not write on furniture without a padded barrier to protect the surface.
 - ✓  ● To obtain the longest lifespan of your outdoor products, avoid extended and lengthy exposure to rain, snow, and direct sunshine. Whenever possible cover the product and /or place under patio or awnings.
 - ⊗  ● Not for commercial use. For residential use only.
 - ⊗  ● Stains may be removed with mild soap solution and damp cloth.
 - ✓  ● Dust and pick-up spills using a clean, non-colored, lint-free cloth .
-