











Assembly Instructions

Caution: You must read this before you proceed

Care & Maintenance

	<ul style="list-style-type: none">● Not for commercial use. For residential use only.
	<ul style="list-style-type: none">● Do not put hot items directly on furniture surface.
	<ul style="list-style-type: none">● Do not clean furniture with harsh cleansers or polish.
	<ul style="list-style-type: none">● Do not place furniture under direct sunlight.
	<ul style="list-style-type: none">● Do not place furniture near heating or cooling vents.
	<ul style="list-style-type: none">● Do not write on furniture without a padded barrier to protect the surface.
	<ul style="list-style-type: none">● Do not place furniture outside . For indoor use only.
	<ul style="list-style-type: none">● Stains may be removed with mild soap solution and damp cloth.
	<ul style="list-style-type: none">● Children should not climb or jump on the furniture.
	<ul style="list-style-type: none">● Dust and pick-up spills using a clean, non-colored, lint-free cloth.

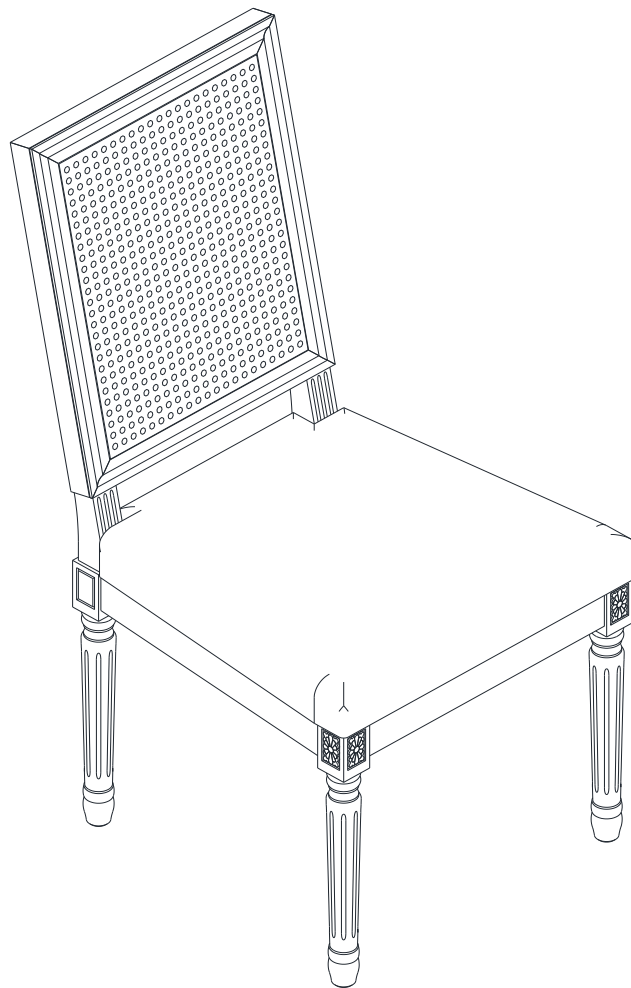
Please look in Corners of carton for hardware packs and Legs.

Assembly Instructions

Please look in the Box for Hardware packs and Legs

DINING CHAIR

Item No: N767P375346

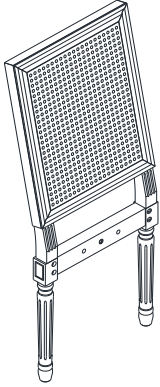
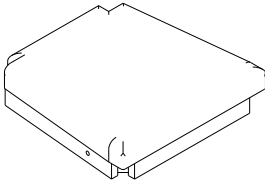



Caution: This Dining Chair is NOT a TOY. Keep your child / children at bay during the assembly process. Whenever lifting or moving the Love seat and to prevent damage to the chair, two adults may be needed to execute these actions.







ASSEMBLY INSTRUCTION

ITEM NO. N767P375346

Parts List

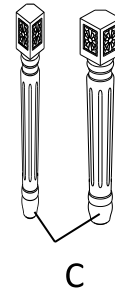
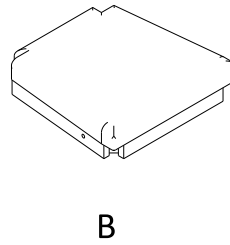
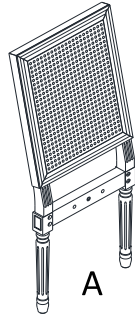
Label	Picture	Description	QTY
A		Chair Back	1
B		Chair Seat	1
C		Front Leg	2

Hardware

Label	Picture	Description	QTY
①		Bolt (5/16" x 38mm)	3
②		Bolt (5/16" x 55mm)	5
③		Bolt (5/16" x 80mm)	5
④		Spring Washer (M8)	13
⑤		Flat Washer (M8)	13
⑥		Allen Wrench (K4 x 80)	1

Assembly Preparation

Before Beginning Assembly:



①



②



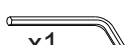
③



④



⑤



⑥



- Read instructions, cover to cover-



- Have 2 adults on hand for assembly-



- Do not assemble on flooring or carpet-



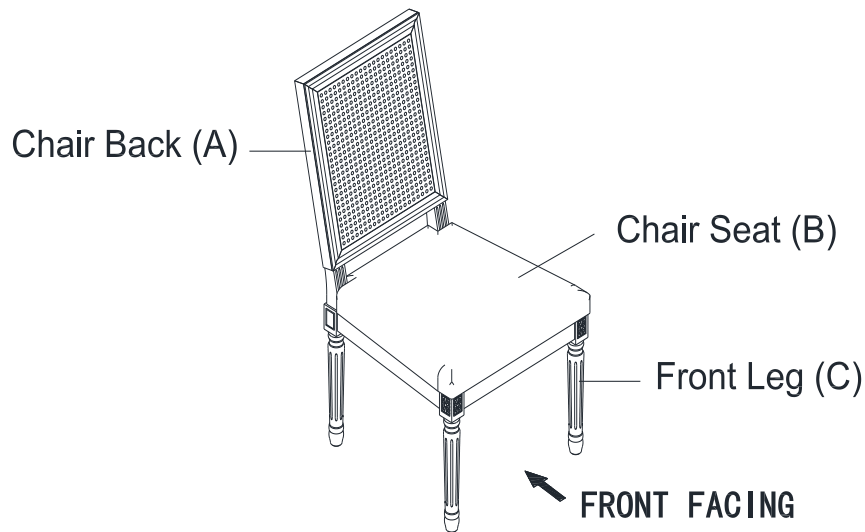
- Assemble on a clean non-marring surface (packing foam)-



- Save all packaging until finished-

Assembly Steps

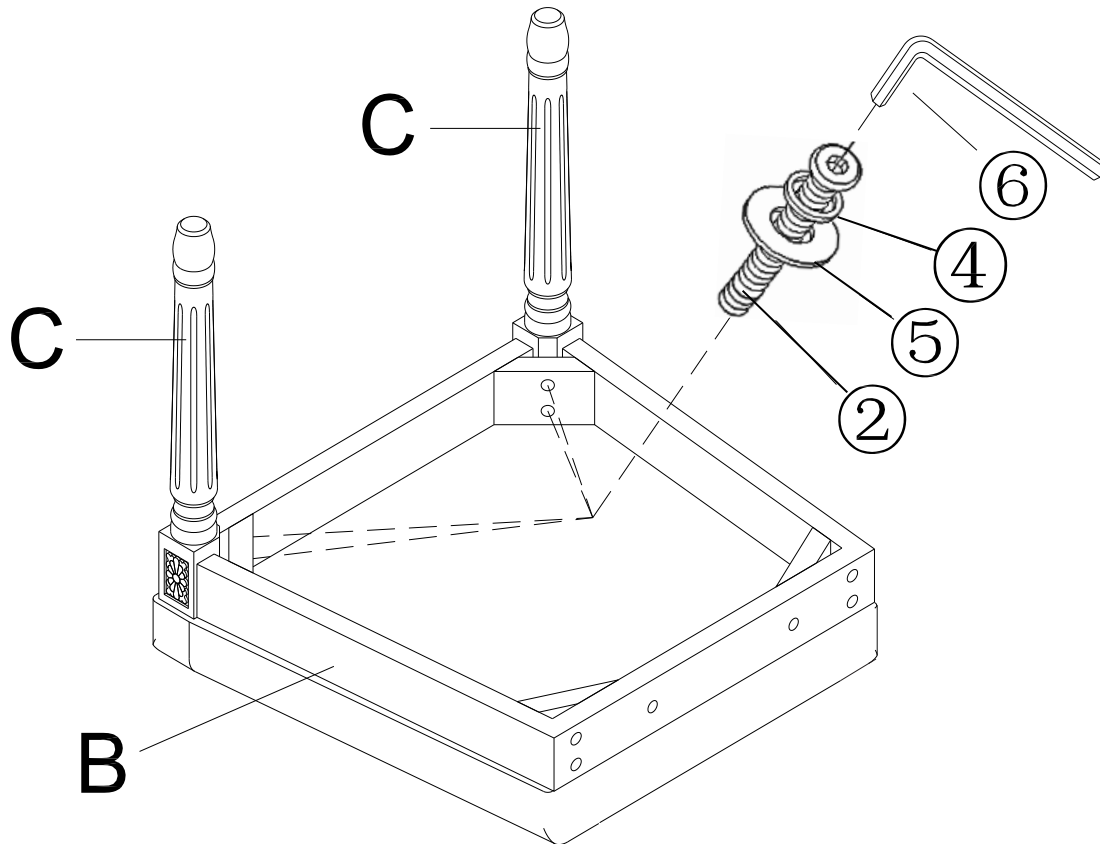
Overview



This Dining Chair has multiple parts and may require up to 30 minutes to assemble. To give you an overview of the Dining Chair parts, the above picture is to help you put the various parts into perspective. Please read through the instructions below to familiarise yourself with the parts and steps before assembly.

ASSEMBLY INSTRUCTION
ITEM NO. N767P375346

Step 1

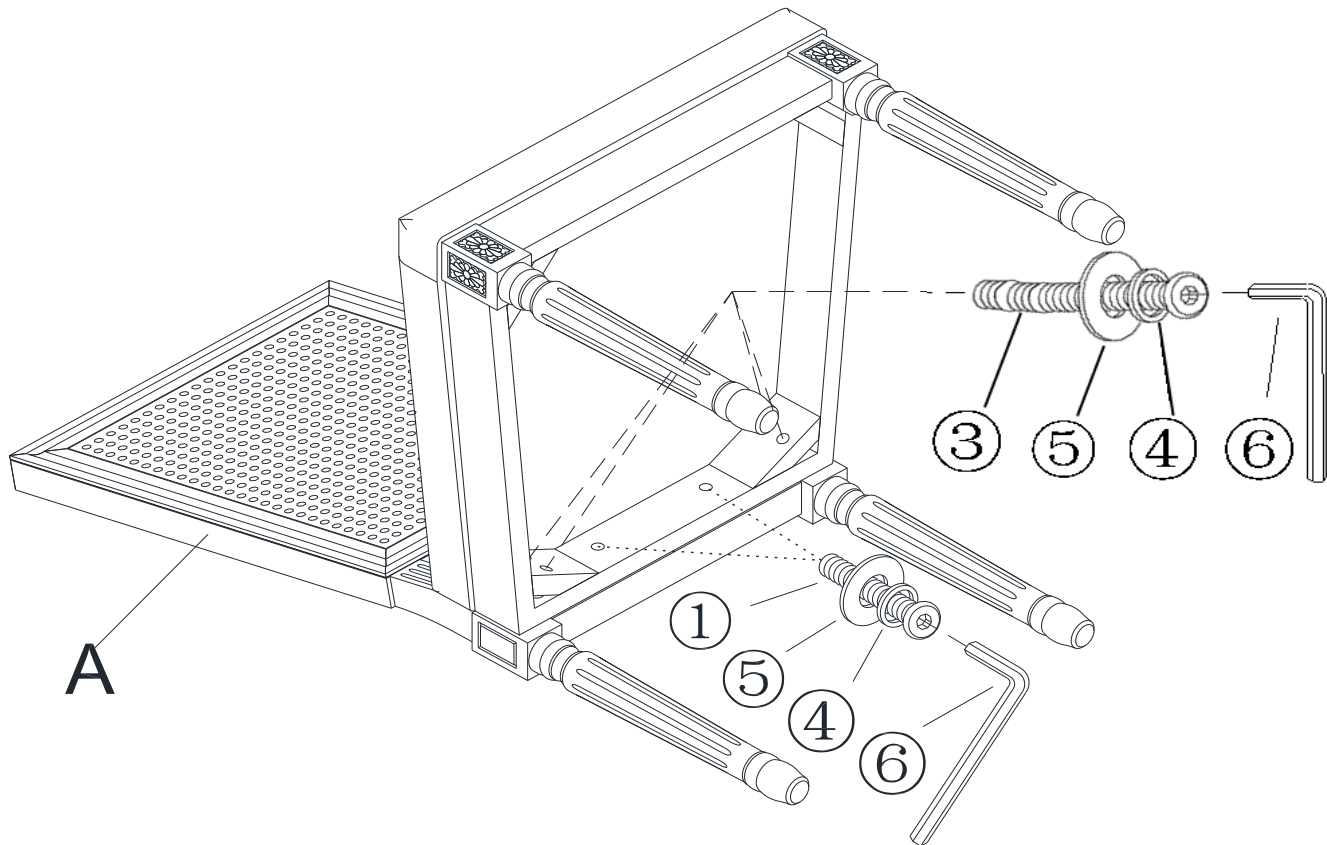


You will now have Chair Seat bottom (B) and the Front Legs (C) Facing upwards.
Insert the Front Legs (C) Completely vertical into seat frame corner by using Bolt
5/16" x 55mm (②) + Spring Washer (④)+ Flat Washer (⑤) With the Allen Wrench (⑥)
At this step, **DO NOT** fully tighten the connections.

ASSEMBLY INSTRUCTION

ITEM NO. N767P375346

Step 2



Place the Chair Back(A) on a clean, non-marring surface.

With assistance from a adult partner, attach the Chair Seat(B) to the Chair Back (A).

Lock the **middle** mounting position, by using Bolts 38mm (①) + Spring Washer (④)+ Flat Washer (⑤) With the Allen Wrench (⑥)

Lock the **corner** four mounting positions and attach them using Bolts 80mm (③) + Spring Washer (④) + Flat Washer (⑤) With the Allen Wrechn (⑥)

Friendly notice:

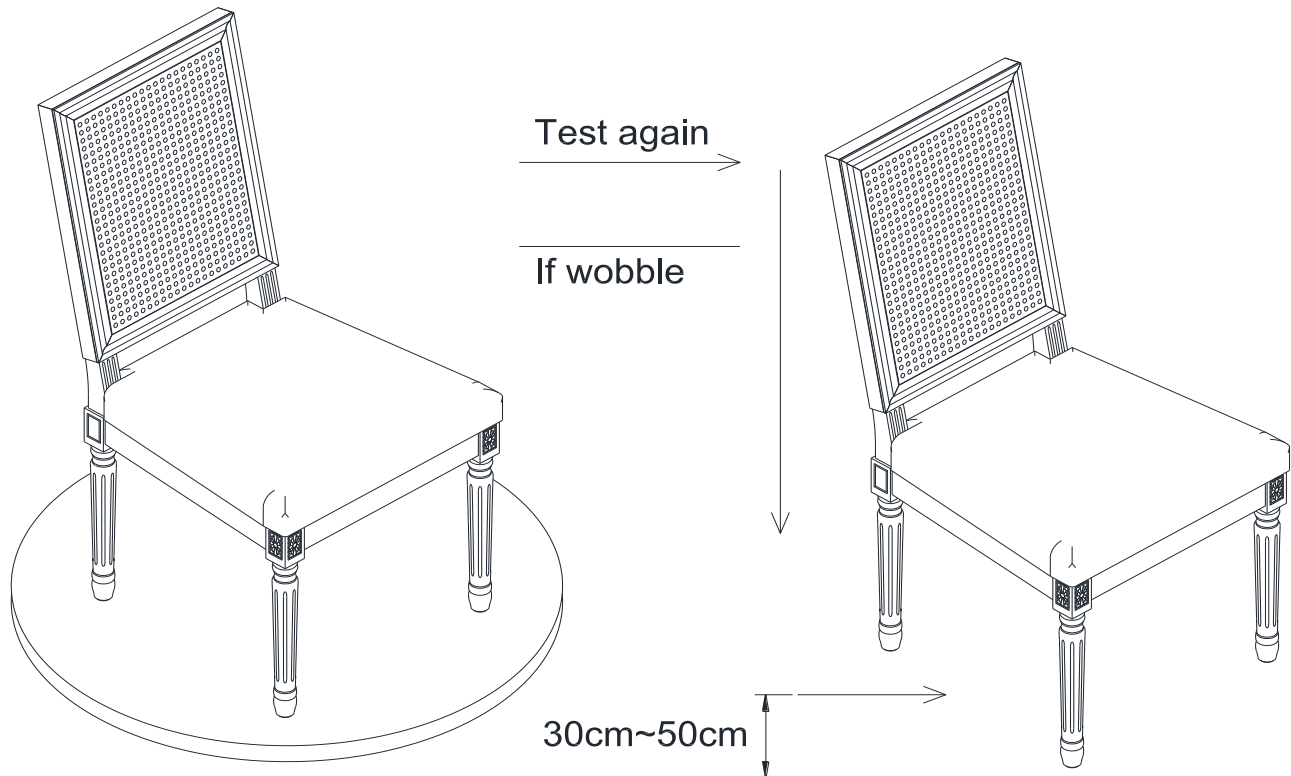
If the mounting positions cannot be aligned well which hinders the installation, then sway the Seat(A) lightly when locking the Bolts, this action could help avoid the Bolts getting stuck and ensure a smooth assembly.

Do not fully tighten the Bolts.

ASSEMBLY INSTRUCTION

ITEM NO. N767P375346

Step 3



Place the Chair on a level Surface to check for wobbles.

If it wobbles, lift the Chair some 30cm to 50cm high from the ground.

Keep your feet and toes well away from the drop zone.

Drop Chair freely and vertically, with all four legs hitting the ground at the same time.

This Drop Test will help to ensure that all Bolts and gaps reach full alignment status.

Test again for evenness on a Level Surface.

If no wobbles are found, proceed to tighten all the Bolts.

When tightening the Bolts, tighten sequentially.

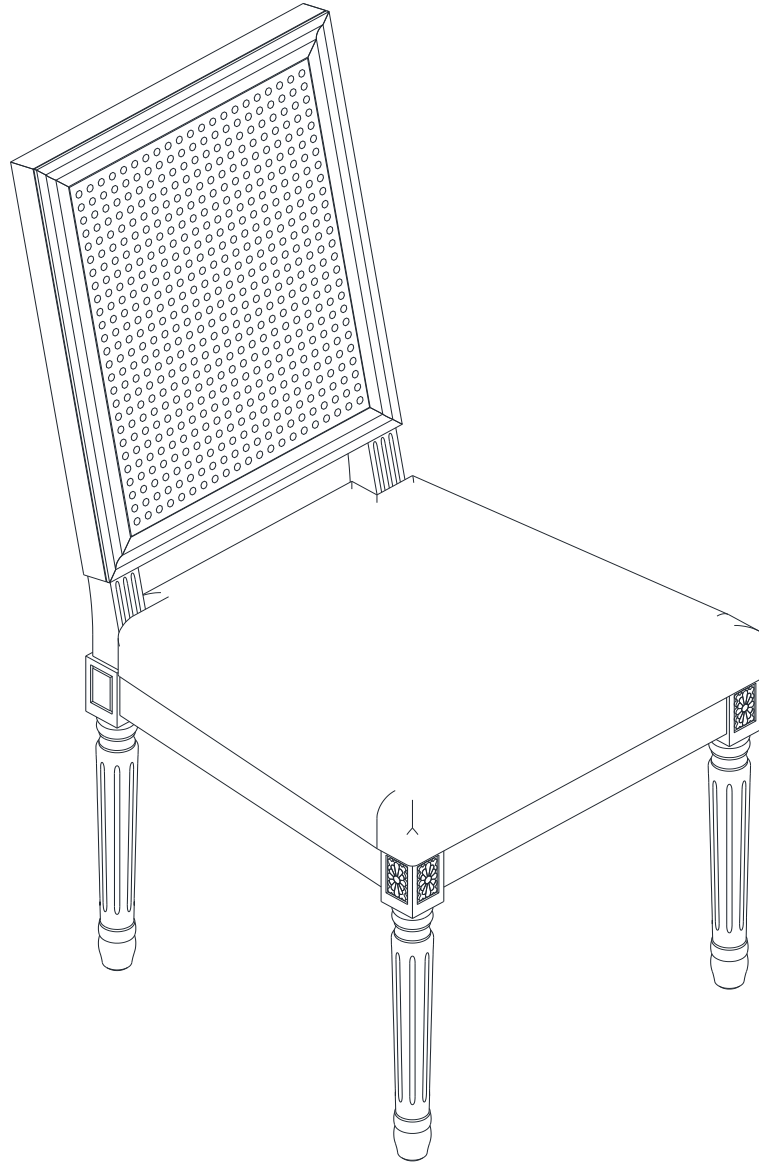
Do not fully tighten any Bolt fully and then move on towards the next one.

This may cause the frame to warp.

If there is still wobbles, loosen the Bolts and execute this same drop test.

ASSEMBLY INSTRUCTION
ITEM NO. N767P375346

Step 4



Stand the chair right side up.

Your Chair is ready for use.

This Dining Chair can only be used on a flat, level surface.