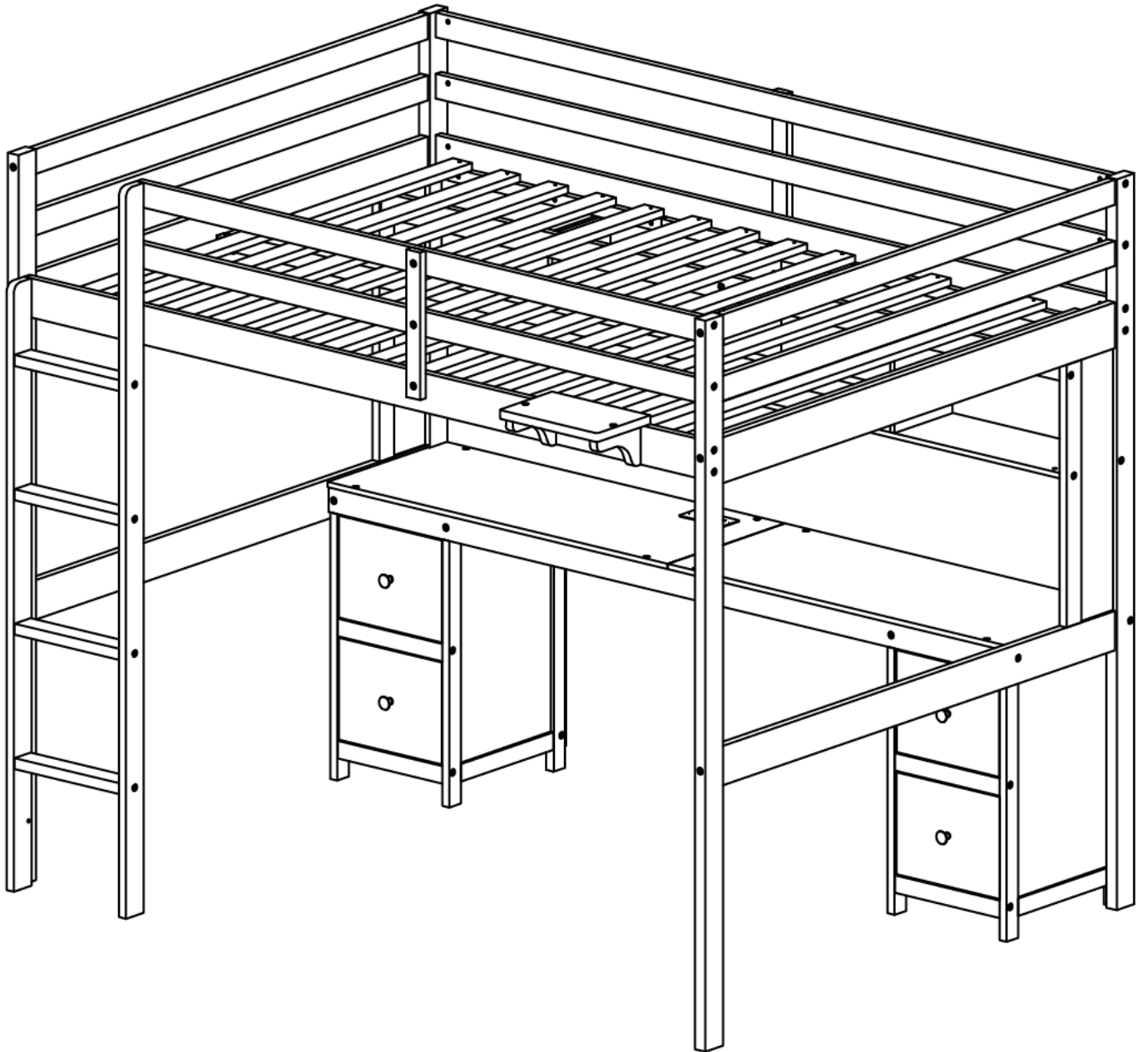


ASSEMBLY INSTRUCTION



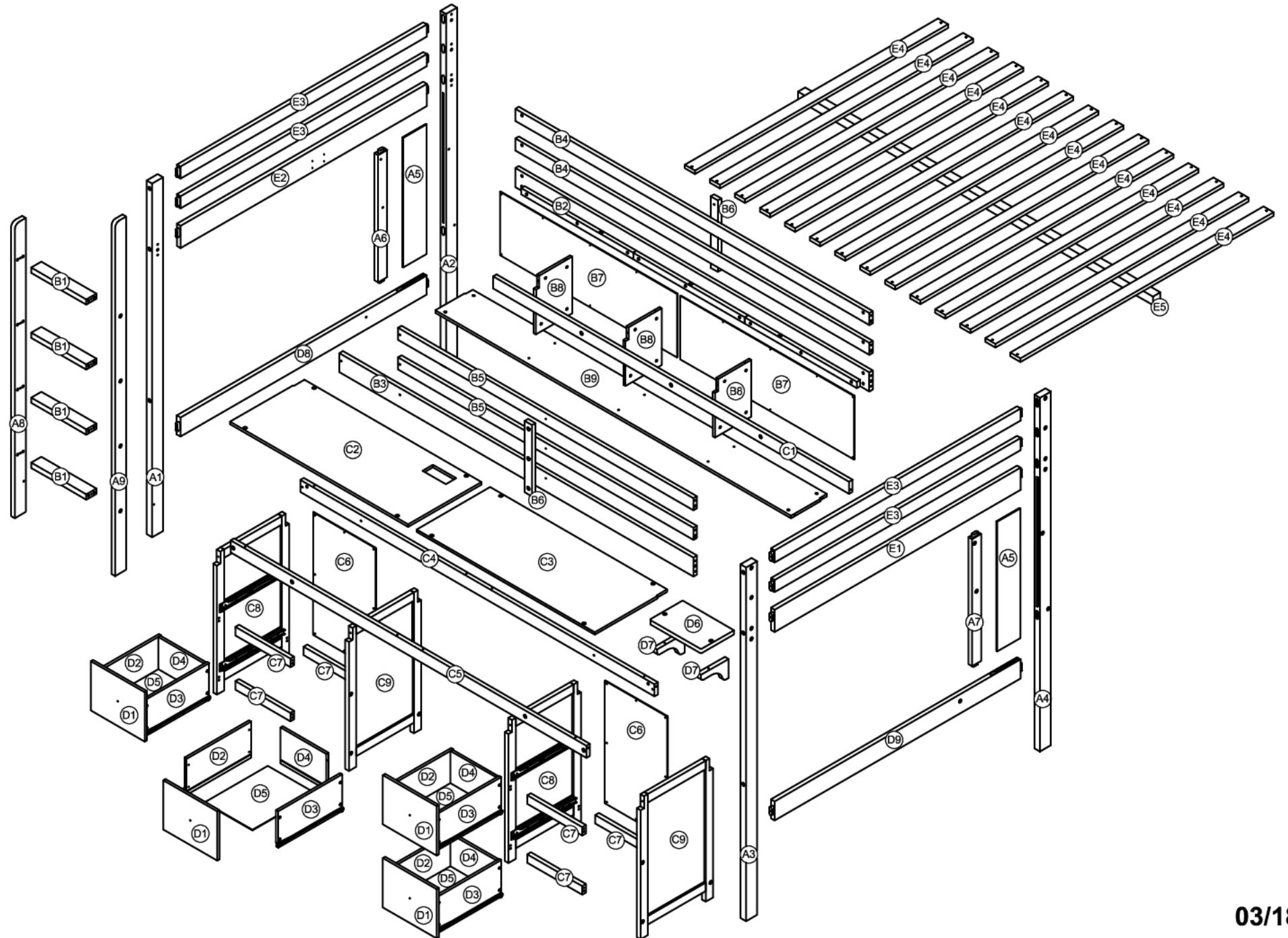
! SAFETY WARNINGS !

1. This bed is designed for use only mattress (es) meeting the following specifications on the upper bunk, and lower bunk





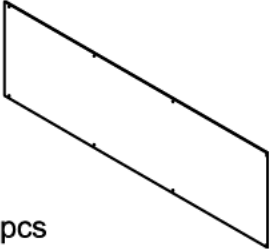
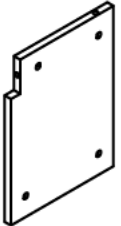
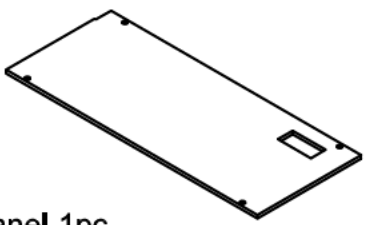
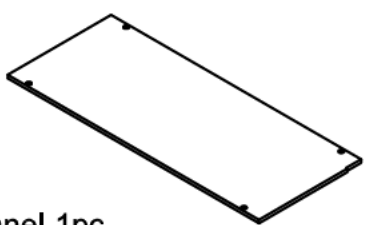
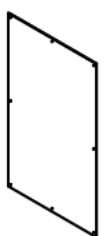
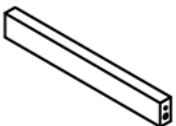
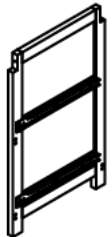
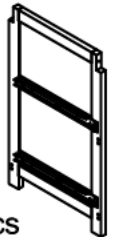
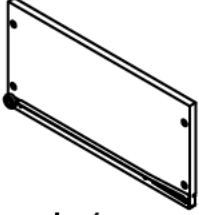
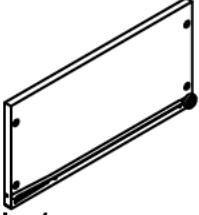
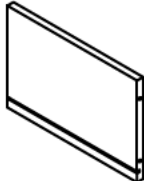
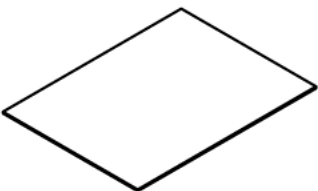
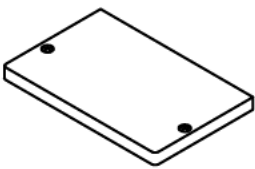


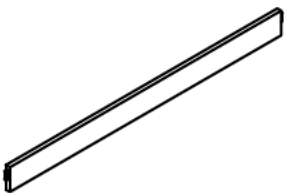
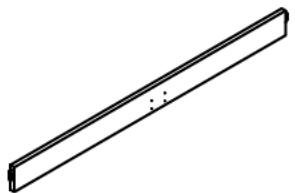
Upper bed Bed Type	Length	Width	Thickness
<i>Full Standard</i>	<i>74" - 75"</i>	<i>53 1/2"</i>	<i>6" max</i>

2. Replacement parts, including additional guardrails, maybe obtained from any of our [REDACTED] dealers
3. Follow the information on the warnings appearing on the upper bunk bed end structure and on the carton. Do not remove warning label from bed
4. Always use the recommended size mattresses or mattress supports, or both, to help prevent the likelihood of entrapment or falls.
5. Surface of mattress must be at least 5" (127mm) below the upper edge of guardrails
6. Do not allow children under 6 years of age to use the upper bunk.
7. Periodically check and ensure that the guardrail, ladder, and other components are in their proper position, free from damage, and that all connectors are tight.
8. Do not allow horseplay on or under the bed and prohibit jumping on the bed.
9. Always use the ladder for entering and leaving the upper bunk Always use the ladder for entering and leaving the upper bunk.
10. Do not use substitute part. Contact the manufacture or dealer for replacement part
11. Use of a night light may provide added safety precaution for a child using the upper bunk..
12. Always use guardrails on both long sides of the upper bunk. If the bunk bed will be placed next to the wall, the guardrail that runs the full length of the bed should be placed against the wall to prevent entrapment between the bed and wall.
13. The use of water or sleep flotation mattresses is prohibited
14. **STRANGULATION HAZARD** - Never attach or hang items to any part of the bunk bed that are not designed for use with the bed; for example, but not limited to, hook, belts and jump ropes
15. Keep these instruction for future reference
16. Prohibit more than one person on upper bunk
17. We recommend assembling your bunk bed on the shipping carton to protect your floor or carpet
18. Be certain all staples are out of the box before beginning assembly on the shipping carton.

ASSEMBLY INSTRUCTION



Part List (Box 1-WF302247)

<p>A5</p>  <p>Panel-2pcs</p>	<p>A6</p>  <p>WoodBar-1pc</p>	<p>A7</p>  <p>WoodBar-1pc</p>
<p>B6</p>  <p>WoodBar-2pcs</p>	<p>B7</p>  <p>Panel-2pcs</p>	<p>B8</p>  <p>Panel-3pcs</p>
<p>C2</p>  <p>Panel-1pc</p>	<p>C3</p>  <p>Panel-1pc</p>	<p>C6</p>  <p>Panel-2pcs</p>
<p>C7</p>  <p>WoodBar-6pcs</p>	<p>C8</p>  <p>Left frame- 2pcs</p>	<p>C9</p>  <p>Right frame- 2pcs</p>
<p>D2</p>  <p>Drawer panels-4pcs</p>	<p>D3</p>  <p>Drawer panels-4pcs</p>	<p>D4</p>  <p>Drawer Rear-4pcs</p>
<p>D5</p>  <p>Drawer Bottom Panels-4pcs</p>	<p>D6</p>  <p>Panel-1pc</p>	<p>D8</p>  <p>WoodBar-1pc</p>
<p>D9</p>  <p>WoodBar-1pc</p>	<p>E1</p>  <p>WoodBar-1pc</p>	<p>E2</p>  <p>WoodBar-1pc</p>

Part List (Box 1-WF302247)

E3









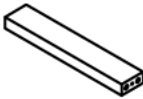
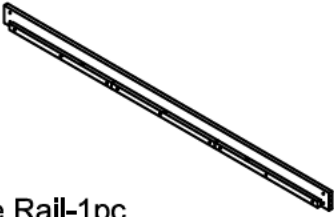
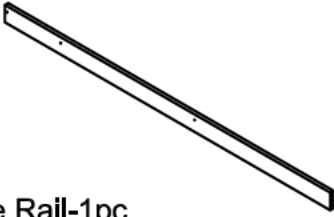


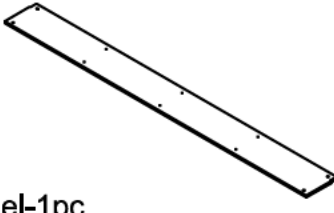
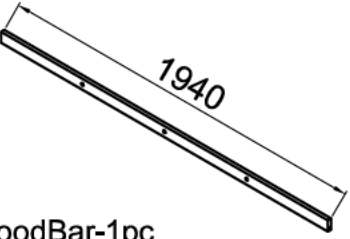
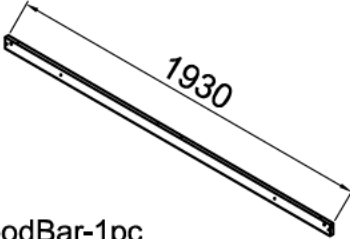
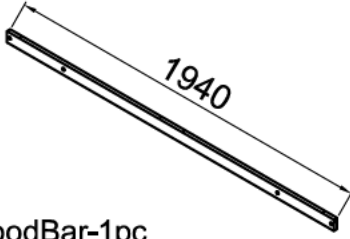
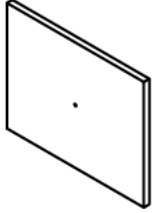

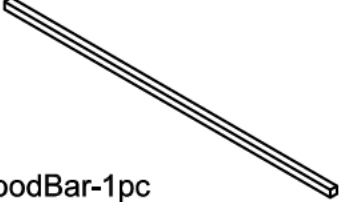
WoodBar-4pcs

E4

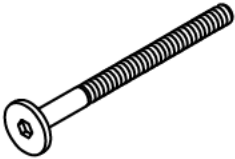







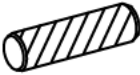



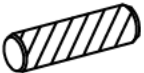
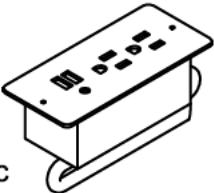


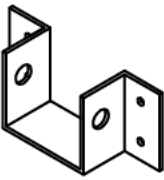

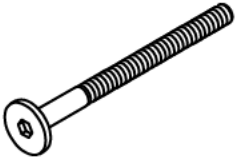
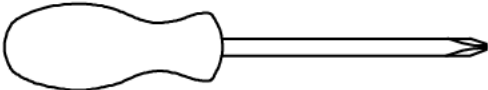


Slats-14pcs

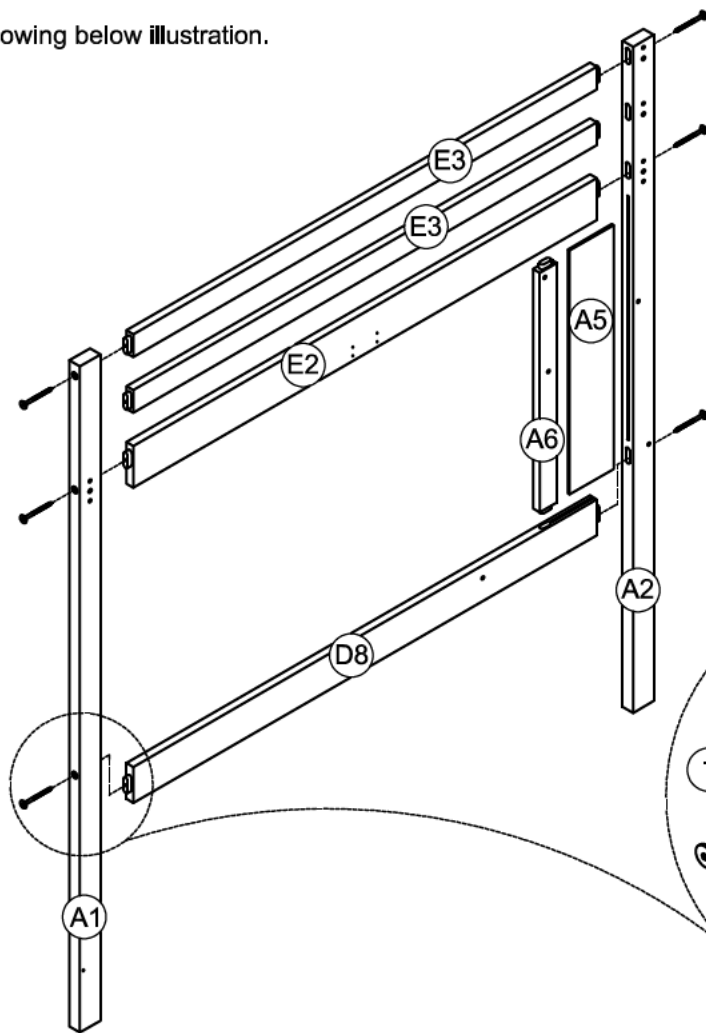
Part List & Hardware List (Box 2-WF302248)

<p>A1</p>  <p>Leg-1pc</p>	<p>A2</p>  <p>Leg-1pc</p>	<p>A3</p>  <p>Leg-1pc</p>
<p>A4</p>  <p>Leg-1pc</p>	<p>A8</p>  <p>WoodBar-1pc</p>	<p>A9</p>  <p>WoodBar-1pc</p>
<p>B1</p>  <p>WoodBar-4pcs</p>	<p>B2</p>  <p>Side Rail-1pc</p>	<p>B3</p>  <p>Side Rail-1pc</p>
<p>B4</p>  <p>WoodBar-2pcs</p>	<p>B5</p>  <p>WoodBar-2pcs</p>	<p>B9</p>  <p>Panel-1pc</p>
<p>C1</p>  <p>WoodBar-1pc</p>	<p>C4</p>  <p>WoodBar-1pc</p>	<p>C5</p>  <p>WoodBar-1pc</p>
<p>D1</p>  <p>Drawer front panels-4pcs</p>	<p>D7</p>  <p>Panel-2pcs</p>	<p>E5</p>  <p>WoodBar-1pc</p>

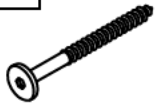
Hardware List (Box 2-WF302248)

<p>1</p>  <p>Ø1/4" x 70 mm Hex-Head bolts 20pcs</p>	<p>2</p>  <p>M4 x 25 mm Wood Screws 4pcs</p>	<p>3</p>  <p>Screws 1/4" x30 16pcs</p>
<p>4</p>  <p>Screws 1/4" x40 21pcs</p>	<p>5</p>  <p>Screws 1/4" x50 12pcs</p>	<p>6</p>  <p>Handle Wood 4pcs</p>
<p>7</p>  <p>Screws 1/4" x80 12pcs</p>	<p>8</p>  <p>Ø1/4" x 13 mm Horizontal-Hole bolts 36pcs</p>	<p>9</p>  <p>Ø10 x 40 mm Wood dowel 26pcs</p>
<p>10</p>  <p>M4 x 15 mm Wood Screws 30pcs</p>	<p>11</p>  <p>Allen Key 1pc</p>	<p>12</p>  <p>M4 x 30 mm Wood Screws 60pcs</p>
<p>13</p>  <p>Ø8 x 30 mm Wood dowel 12pcs</p>	<p>14 (Box 1-WF302247)</p>  <p>1pc</p>	<p>15</p>  <p>Hooks 2pcs</p>
<p>16</p>  <p>M3.5 x 15 mm Wood Screws 6pcs</p>	<p>17</p>  <p>Steel Bracket 2pcs</p>	<p>18</p>  <p>M4 x 20m Wood Screws 8pcs</p>
<p>19</p>  <p>Ø1/4" x 80 mm Hex-Head bolts 16pcs</p>	 <p>Assembly Tools Required (Not Included)</p>	

STEP1: Following below illustration.

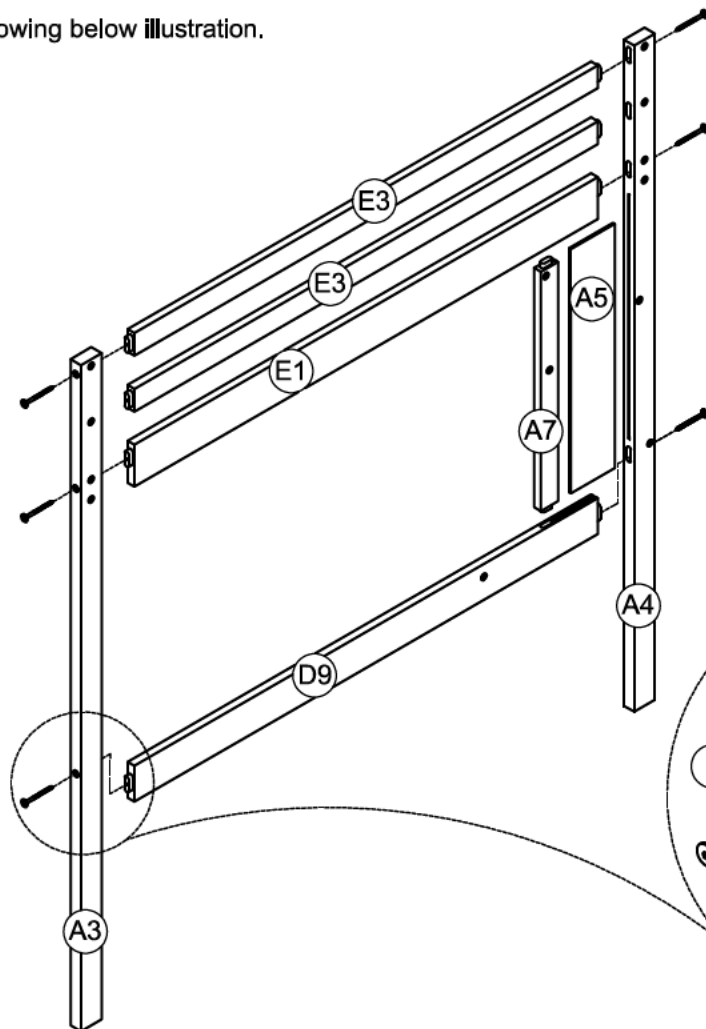


7

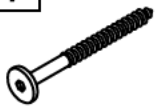


6(pcs)

STEP2: Following below illustration.




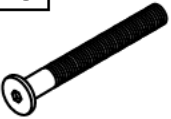


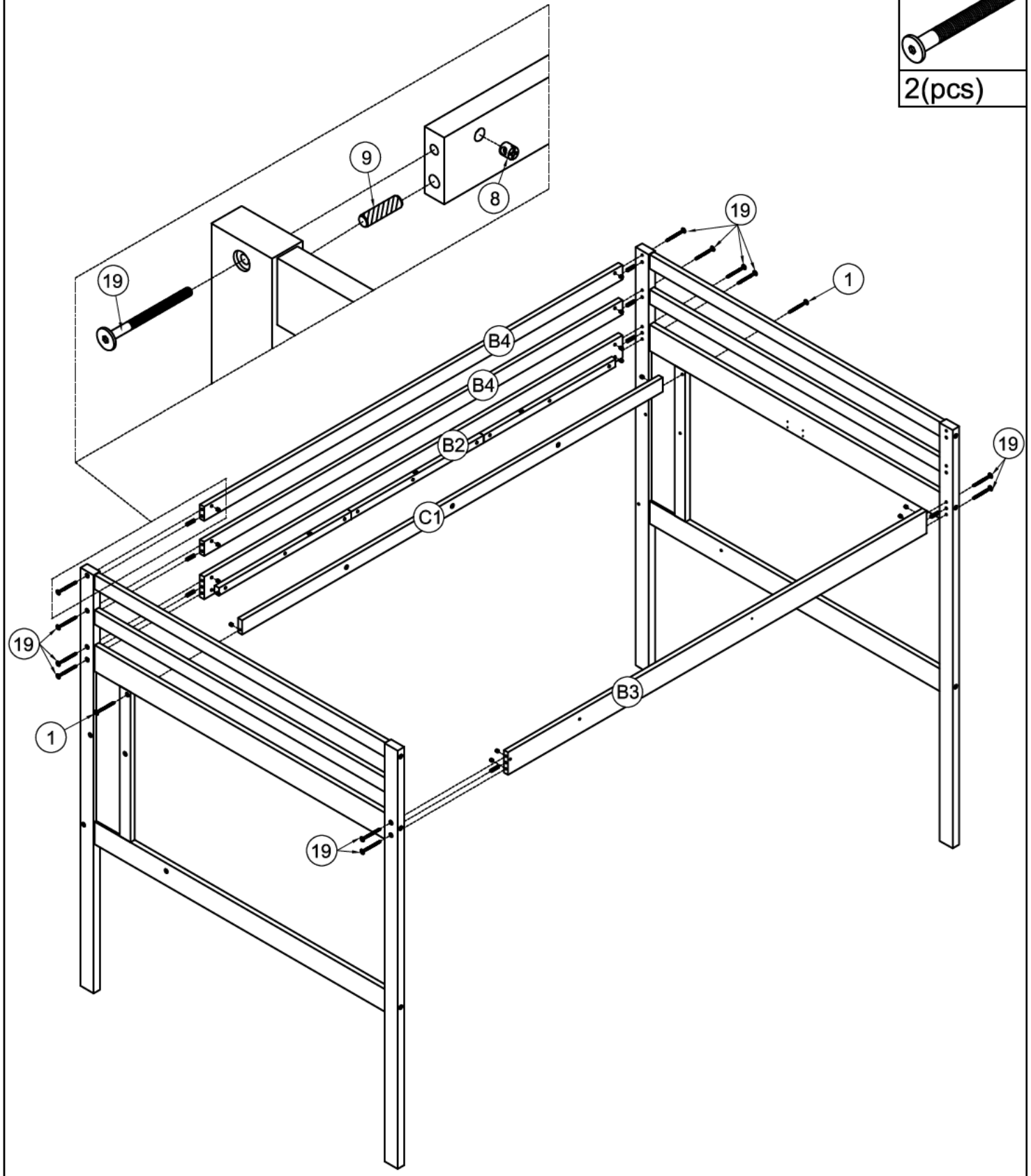
7





6(pcs)

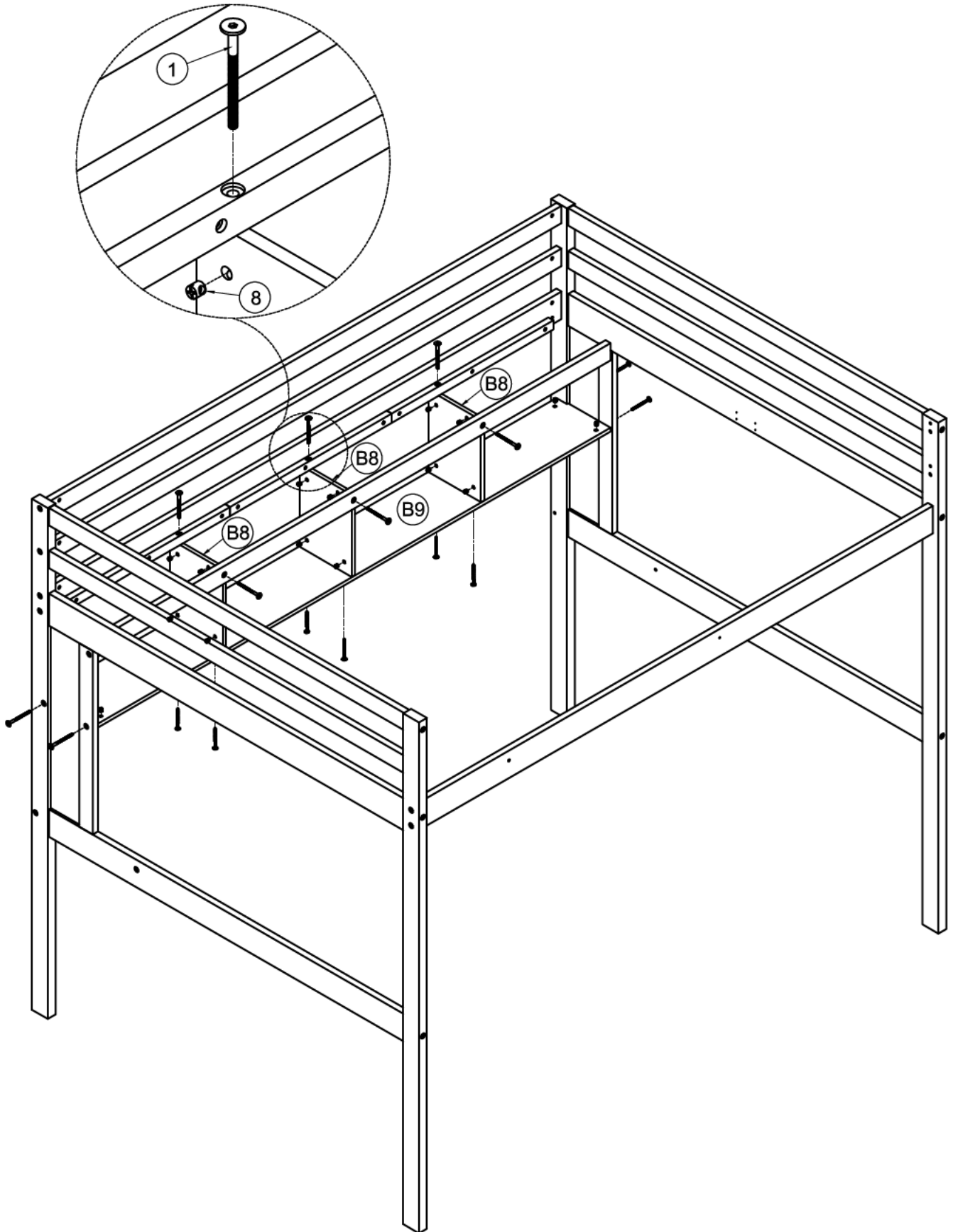
STEP3: Following below illustration.

8		19		9	
14(pcs)		12(pcs)		8(pcs)	
				1	
				2(pcs)	







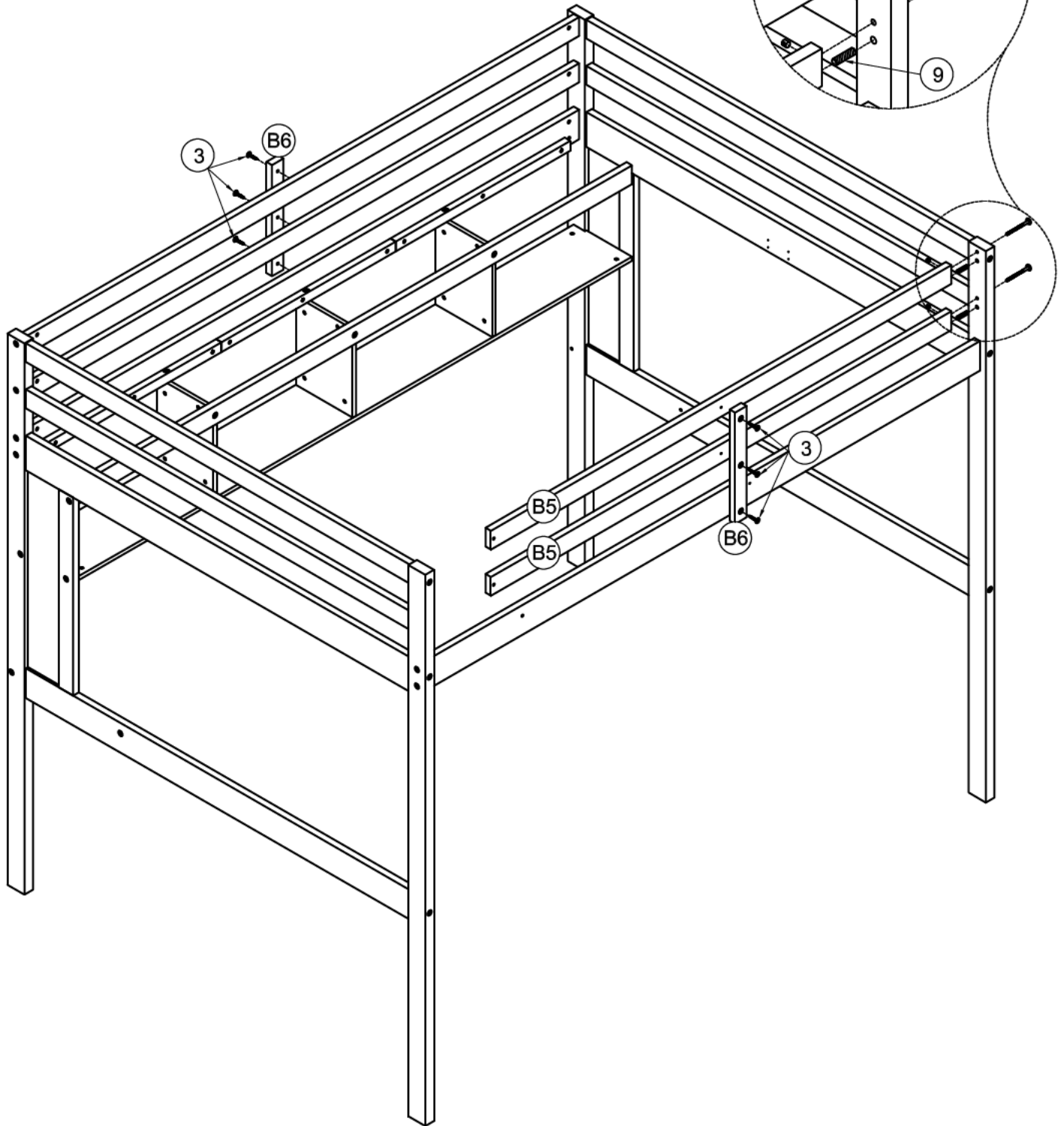
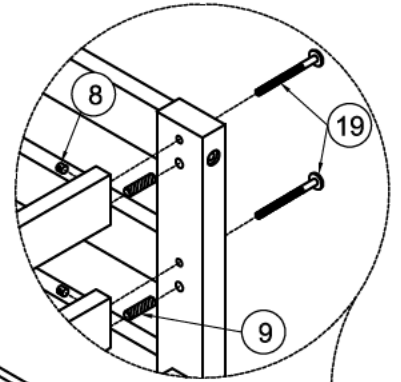
STEP4: Following below illustration.

8		1	
16(pcs)		16(pcs)	

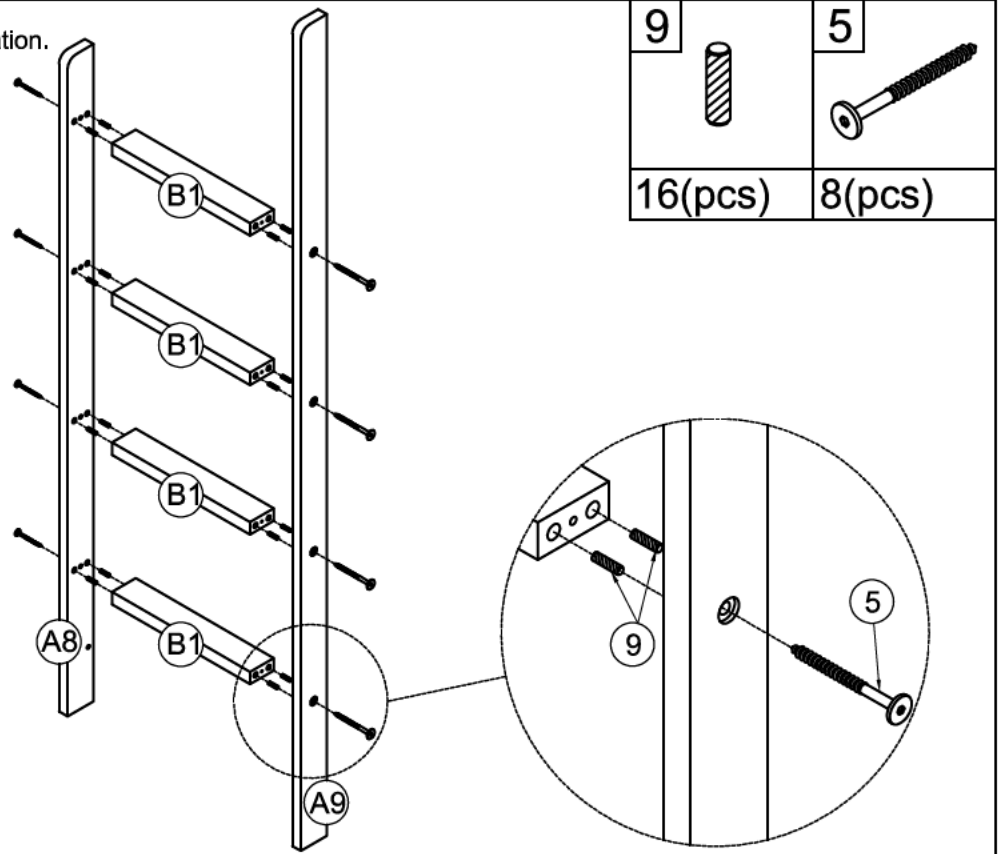


STEP5: Following below illustration.

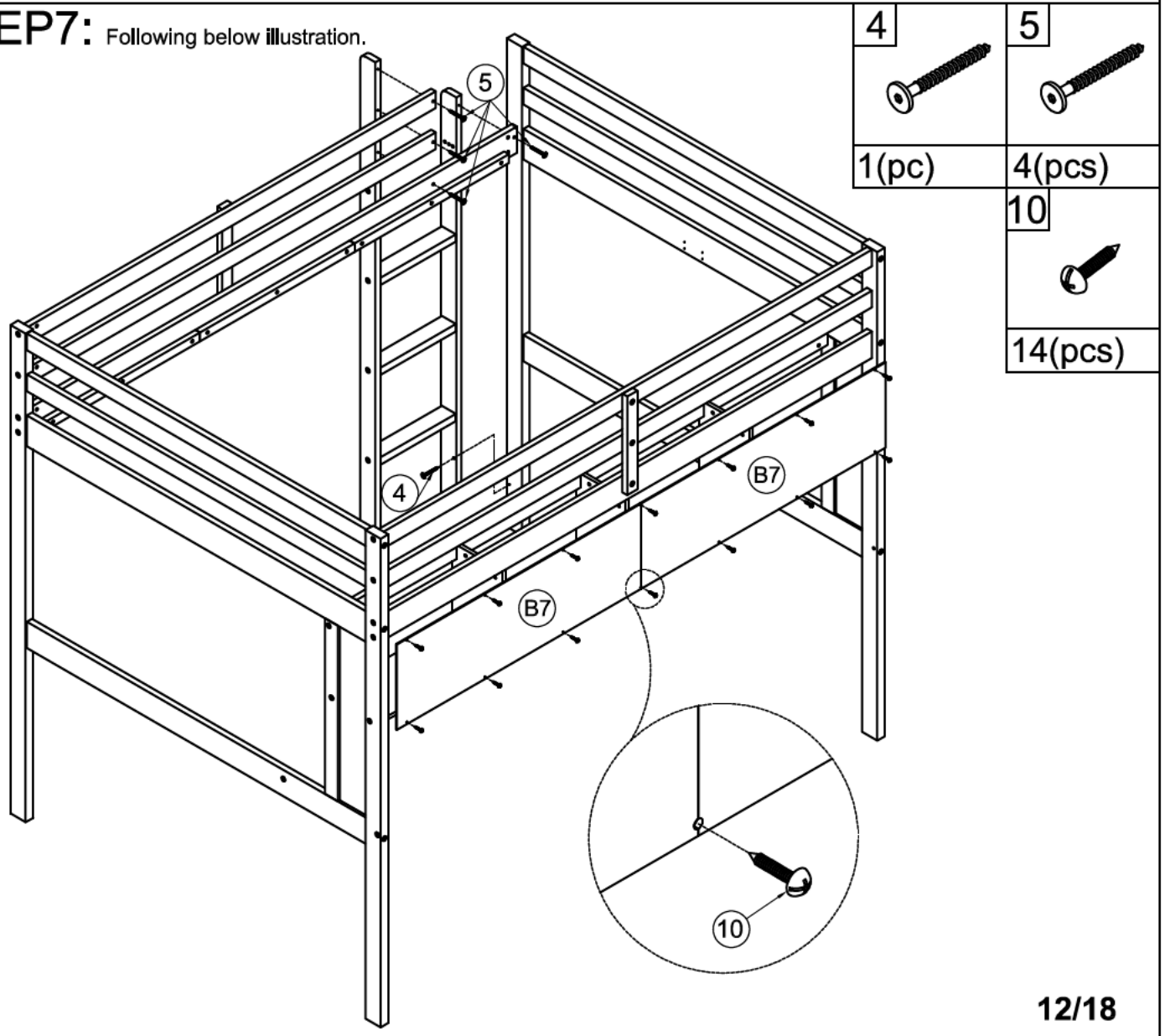
9		8		19		3	
2(pcs)		2(pcs)		2(pcs)		6(pcs)	





STEP6: Following below illustration.

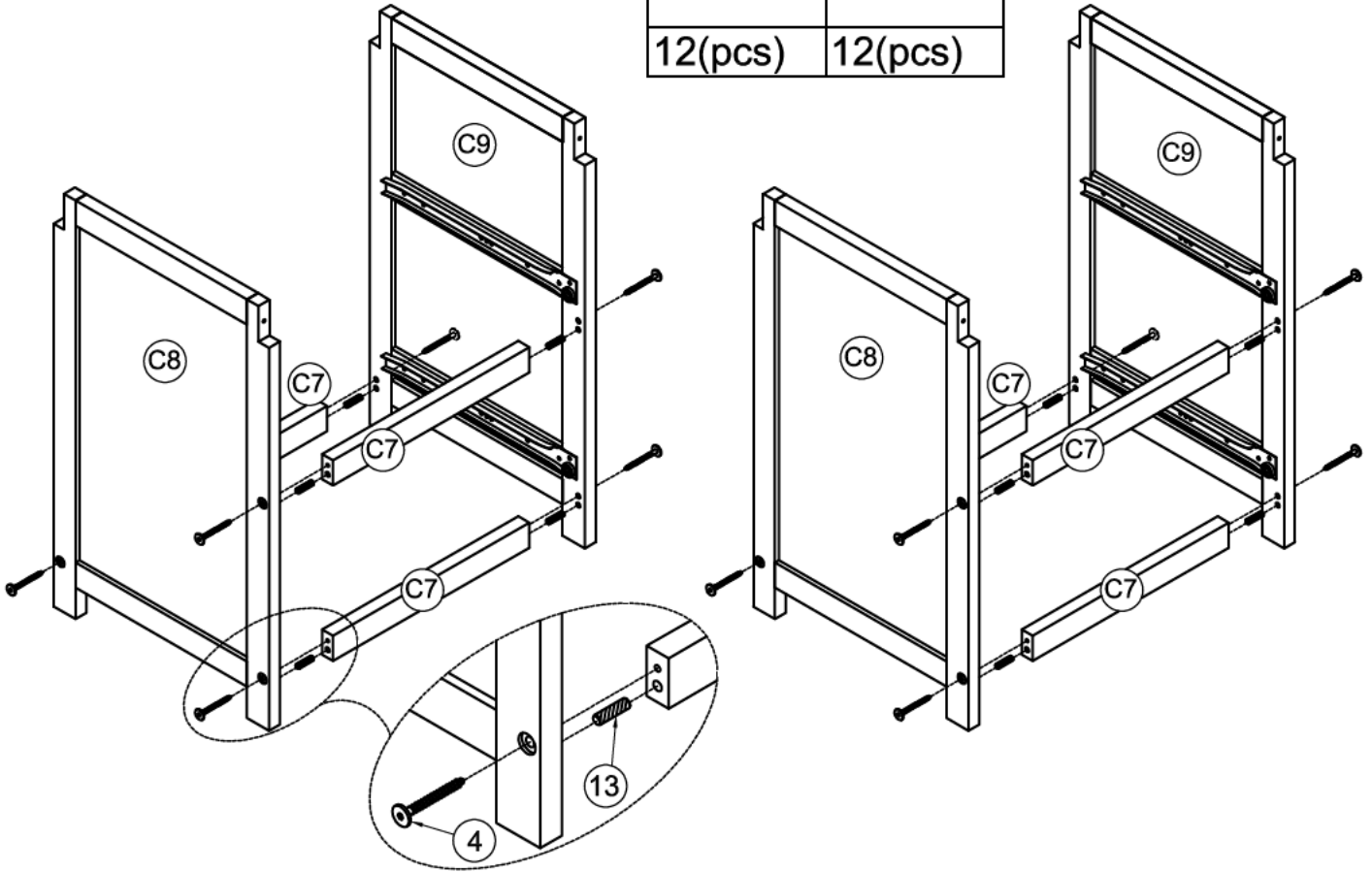


STEP7: Following below illustration.

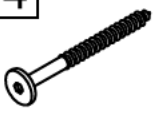


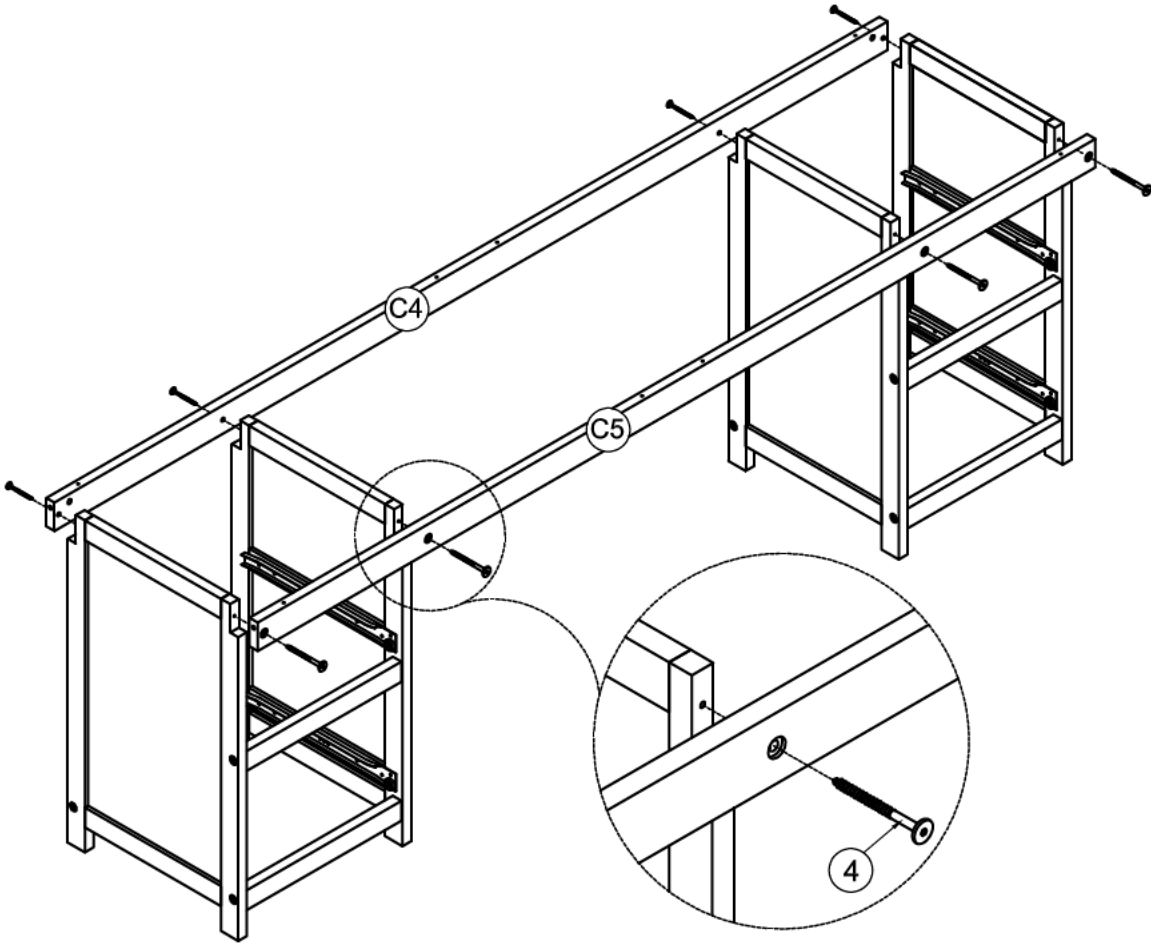
STEP8: Following below illustration.

13		4	
12(pcs)		12(pcs)	



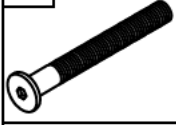


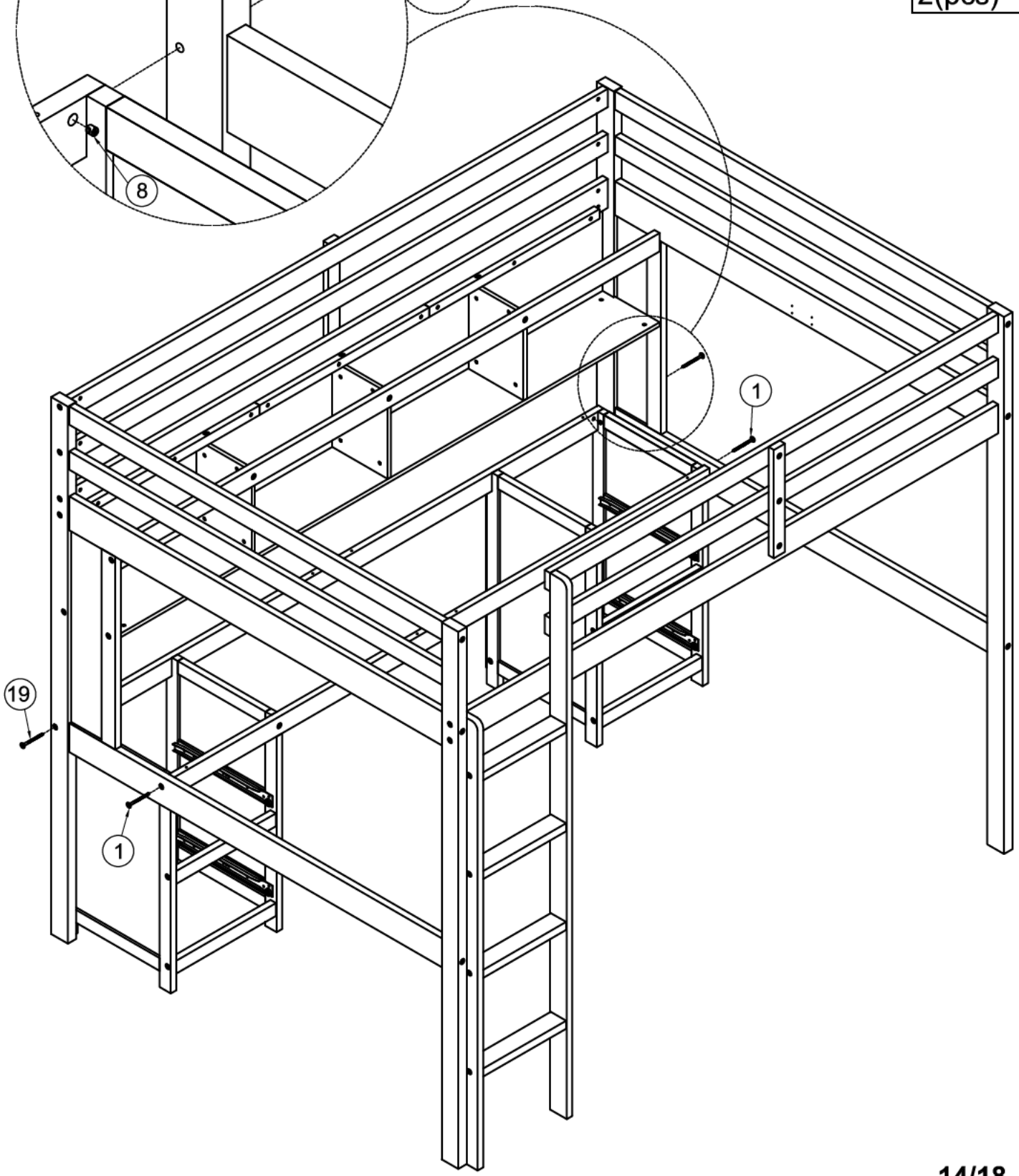
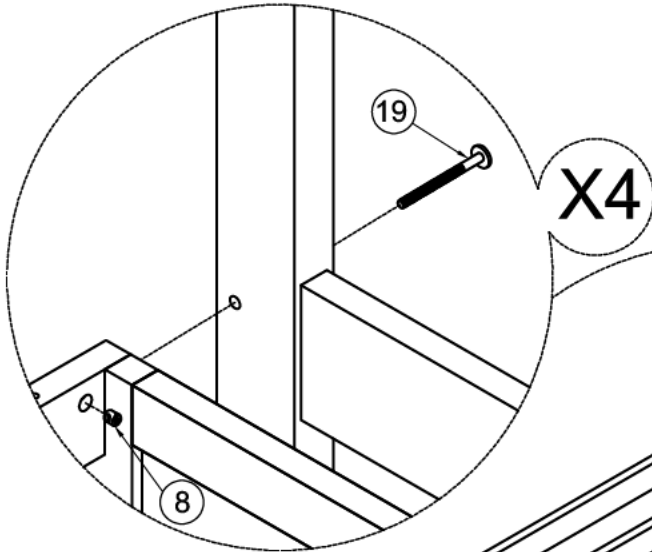
STEP9: Following below illustration.

4	
8(pcs)	



STEP10: Following below illustration.

8		1	
4(pcs)		2(pcs)	
		19	
		2(pcs)	



STEP11: Following below illustration.

10

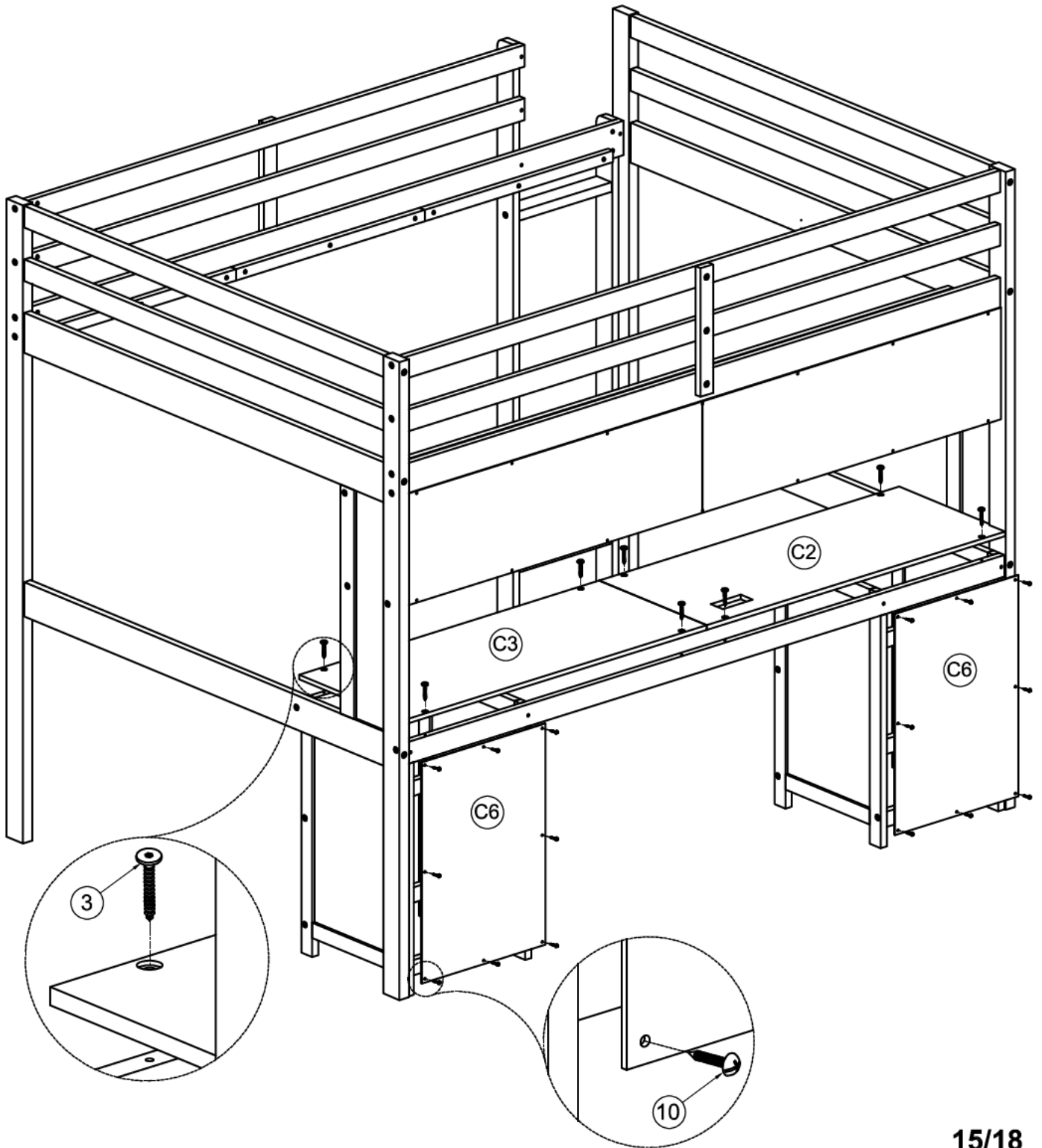


16(pcs)

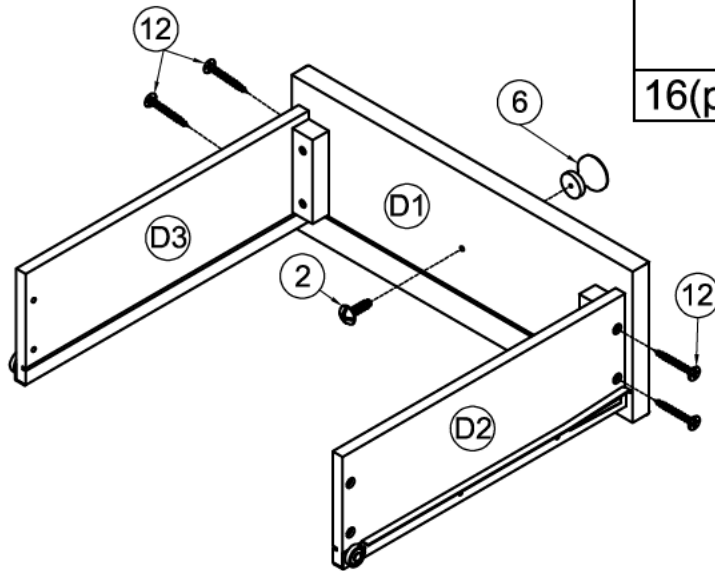
3



8(pcs)

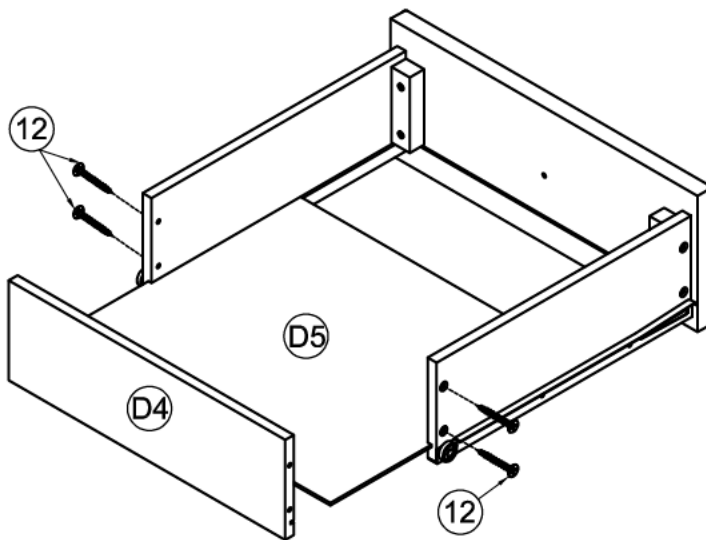


STEP12 x 4: Following below illustration.



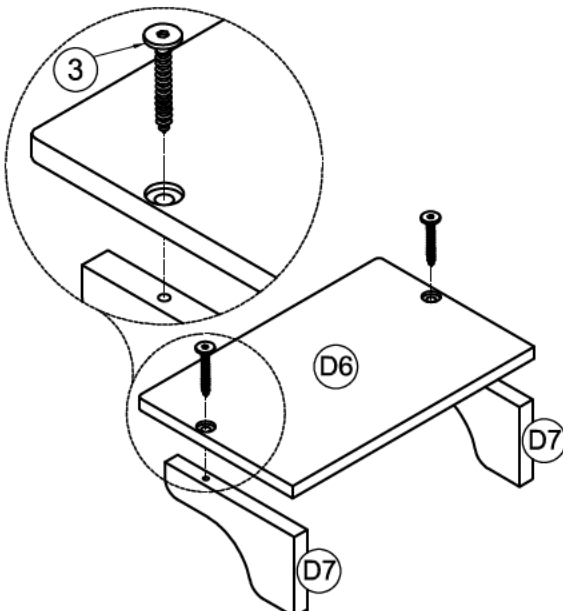
12		6		2	
	16(pcs)		4(pcs)		4(pcs)

STEP13 x 4: Following below illustration.

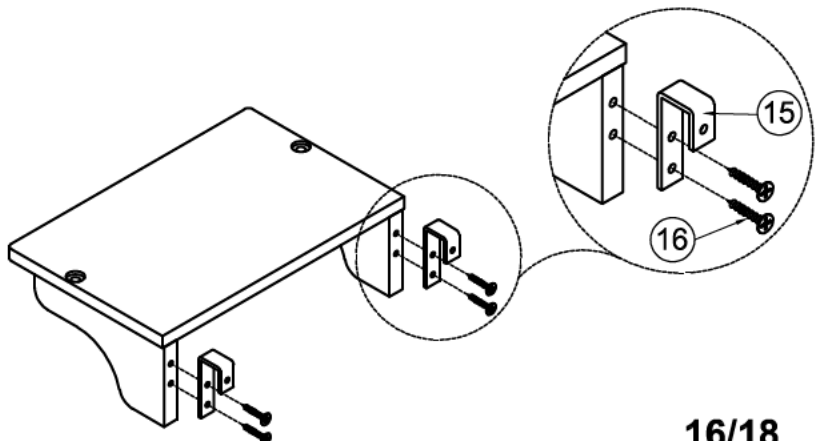


12	
	16(pcs)





STEP14: Following below illustration.

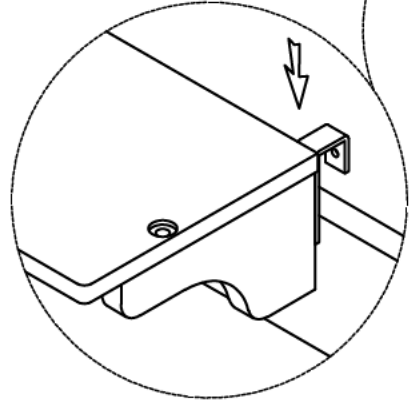
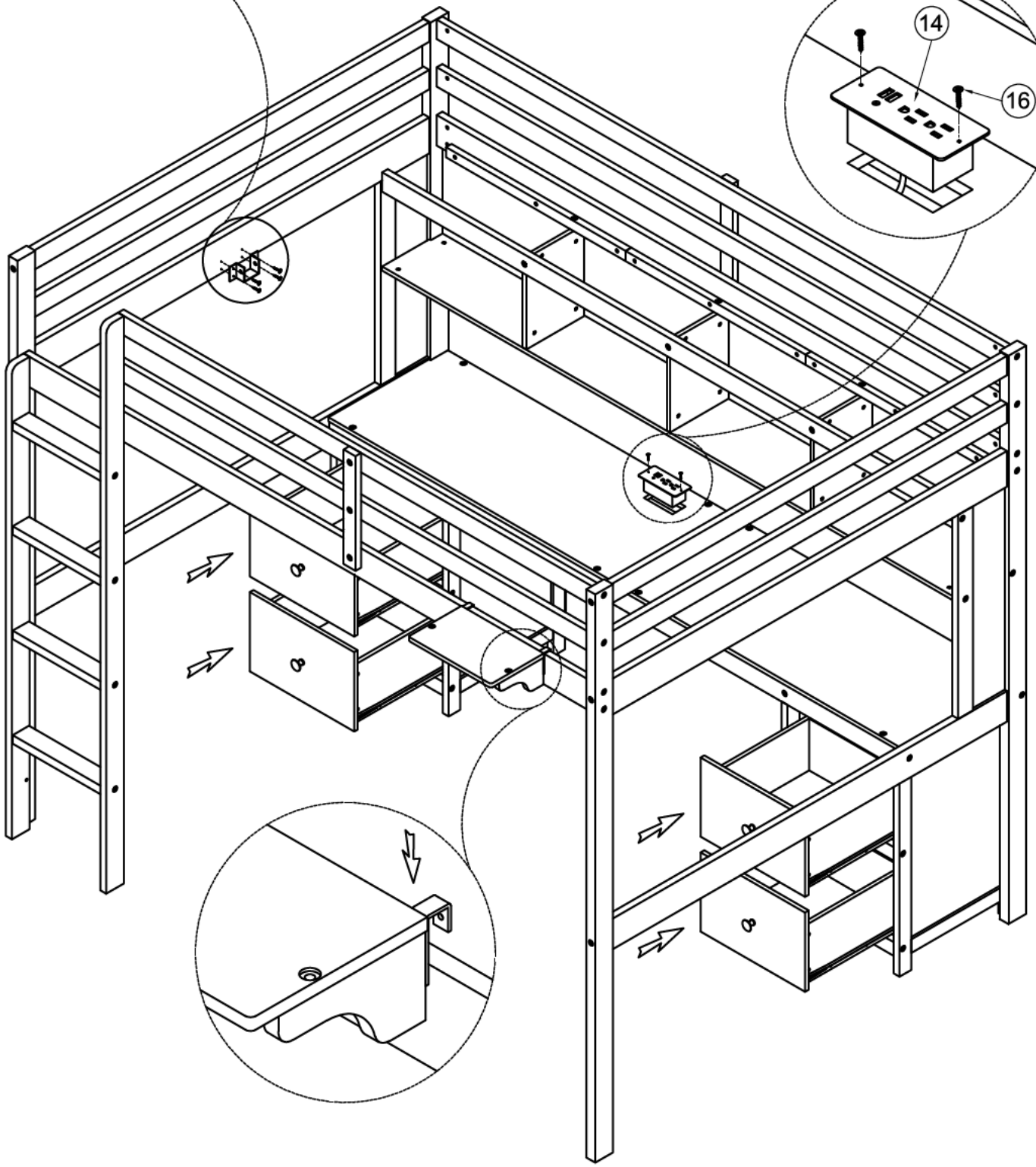
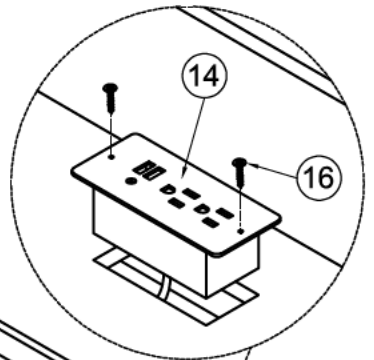
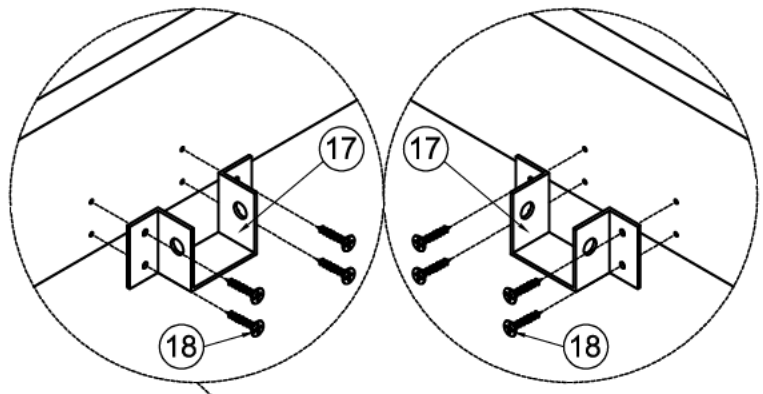


16		15		3	
	4(pcs)		2(pcs)		2(pcs)



STEP15: Following below illustration.

17		18	
2(pcs)		8(pcs)	
14		16	
1(pc)		2(pcs)	



STEP16: Following below illustration.

12



28(pcs)

