

# ZEAFIVE<sup>®</sup>

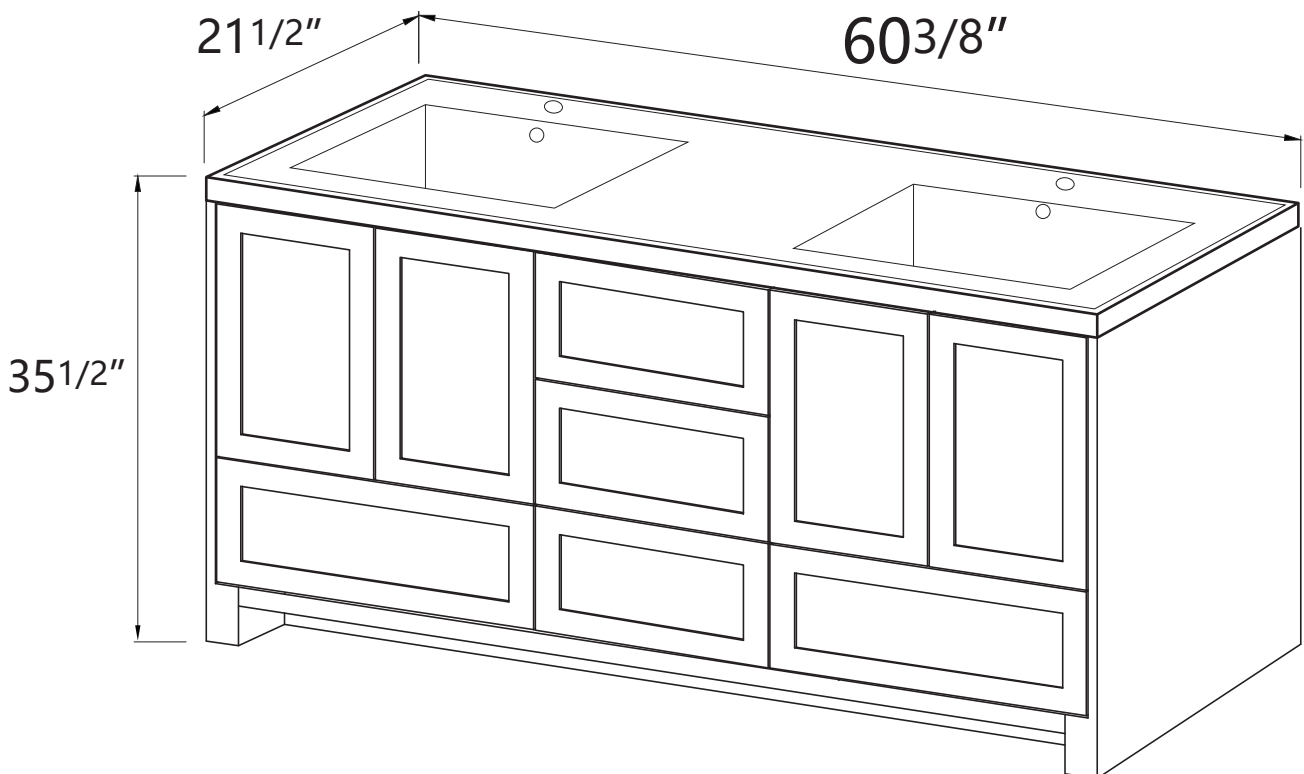
## DIMENSION DETAILS BATHROOM VANITY

✉ Email: [service@bestgosupplychaininc.com](mailto:service@bestgosupplychaininc.com)

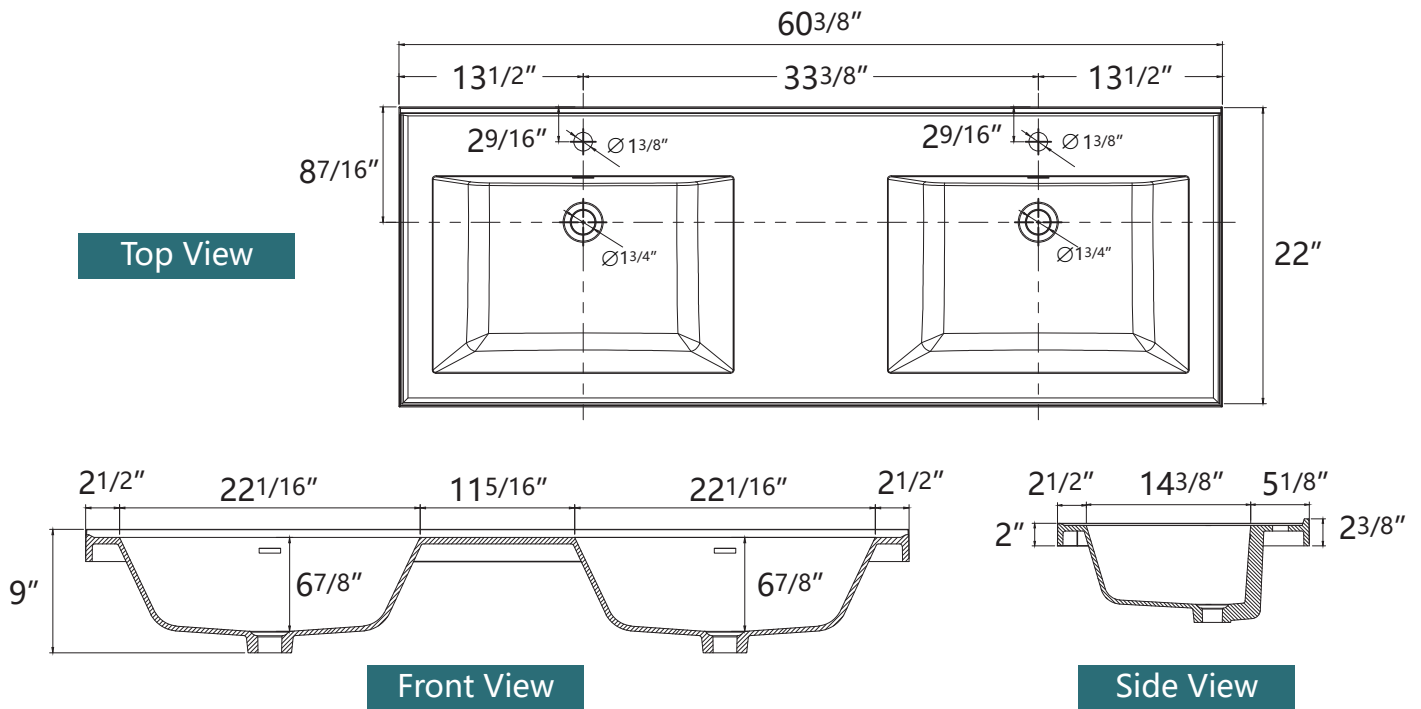
### Belize 60"



PRODUCT  
INSTRUCTION  
VIDEO



# COUNTERTOP SIZE



# VANITY SIZE

