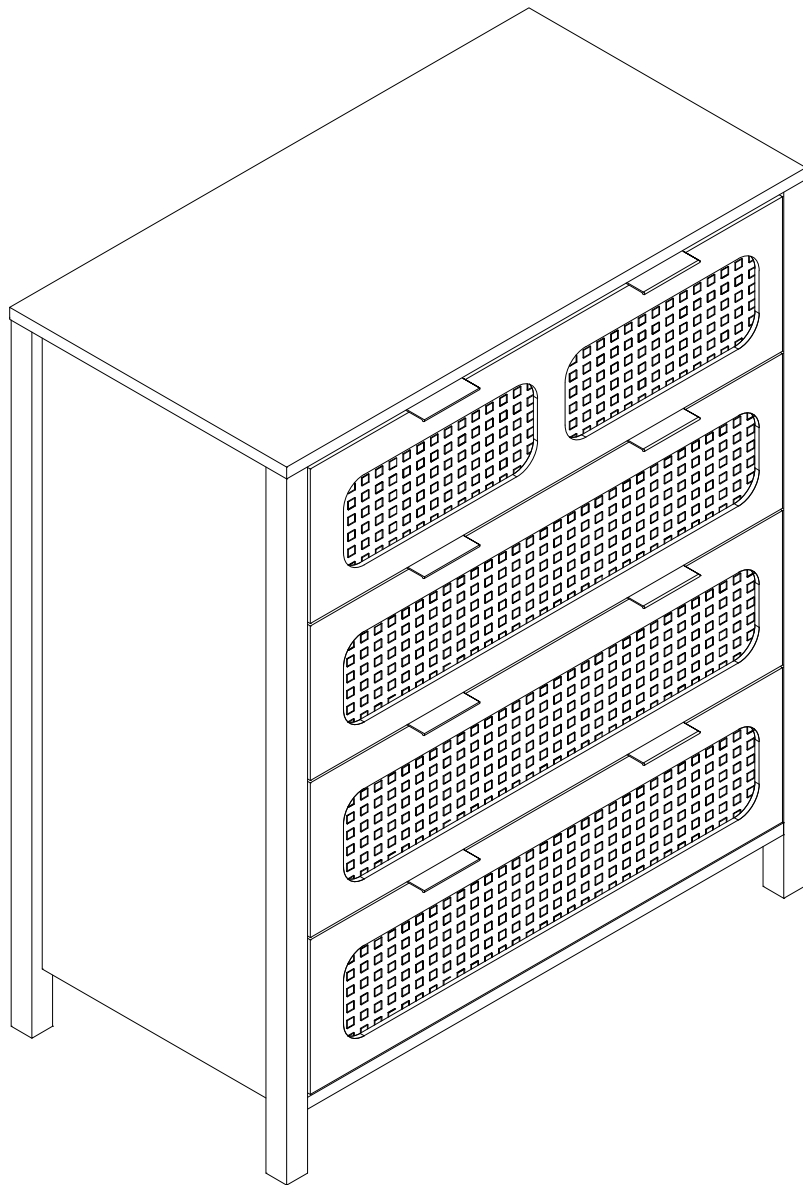


Installation Instruction



Assembling

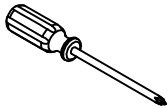
Estimated time for assembly



45 : 00

What you need

- Use the packaging carton as a working surface to prevent product damage during assembly
- Phillips head screwdriver



Weight Limitation

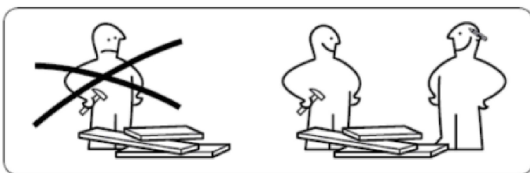


100

lbs table top

| 35

lbs per



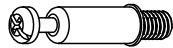
What' included

Code	Description	Qty
A	Cam Lock 15X10 MM	30
B	Cam Bolt M6X35MM	30
C	Wooden Dowel M8X30MM	10
D	Screw M3X14MM	72
E	Screw M4X35MM	26
F	The back button	8
G	Metal shake handhandle	8
H	Screw M4 X14MM	2
I	Anchor	2
J	Nylon Strap	2
K	Screw M6 X32MM	2
CL	Left mother extended orbit	4
CR	Right mother extended orbit	4
DL	Left public extension track	4
DR	Right public extends track	4

The Hardwares



A x 30PCS



B x 30PCS

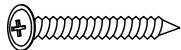


C x 10PCS



3*14mm

D x 72PCS

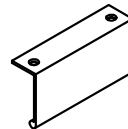


4*35mm

E x 26PCS



F x 8PCS



G x 8PCS



4*14mm

H x 2PCS



I x 2PCS



J x 2PCS



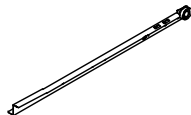
K x 2PCS



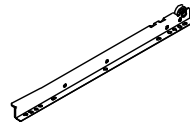
CL x 4PCS



CR x 4PCS



DL x 4PCS

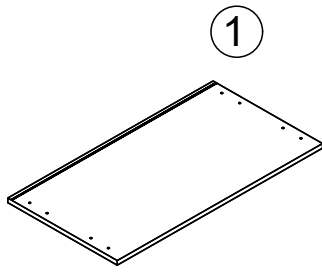


DR x 4PCS

IMPORTANT:

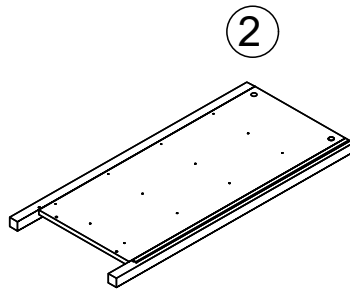
1. Do not tighten bolts / screws completely until all bolts / screws are lined up and inserted into holes.
2. Do not over tighten screws and bolts to avoid stripping
3. Please use hand tools to assemble this product. Do not use power tools.

Included Accessories



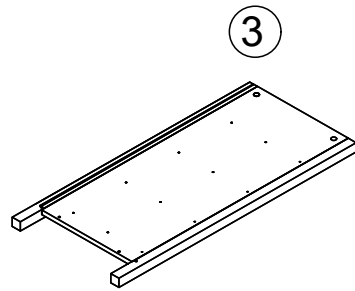
①

1PC



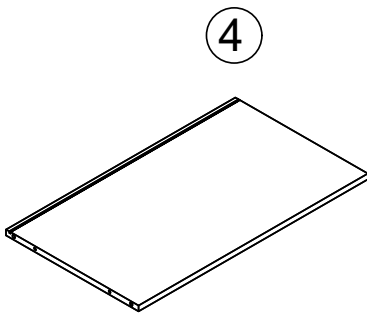
②

1PC



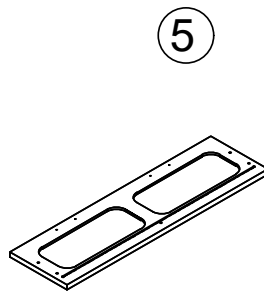
③

1PC



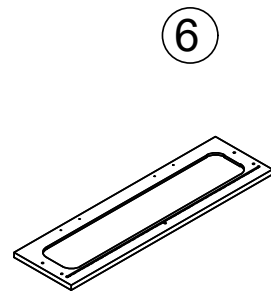
④

1PC



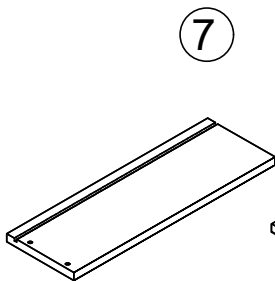
⑤

1PC



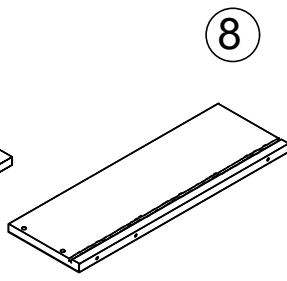
⑥

3PCS



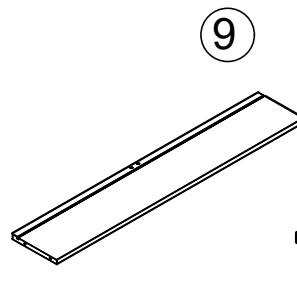
⑦

4PCS



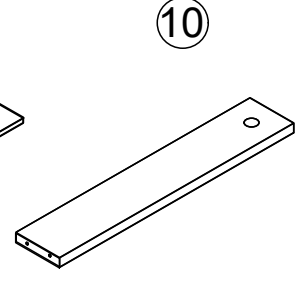
⑧

4PCS



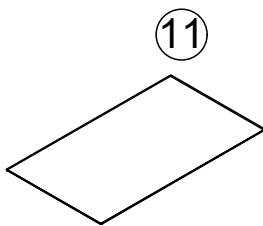
⑨

4PCS



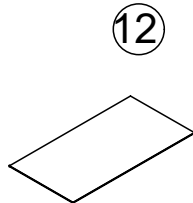
⑩

4PCS



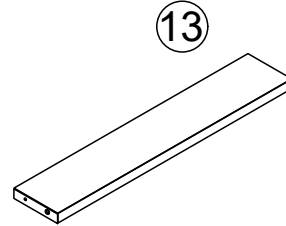
⑪

2PCS



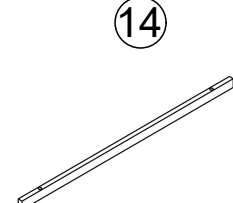
⑫

4PCS



⑬

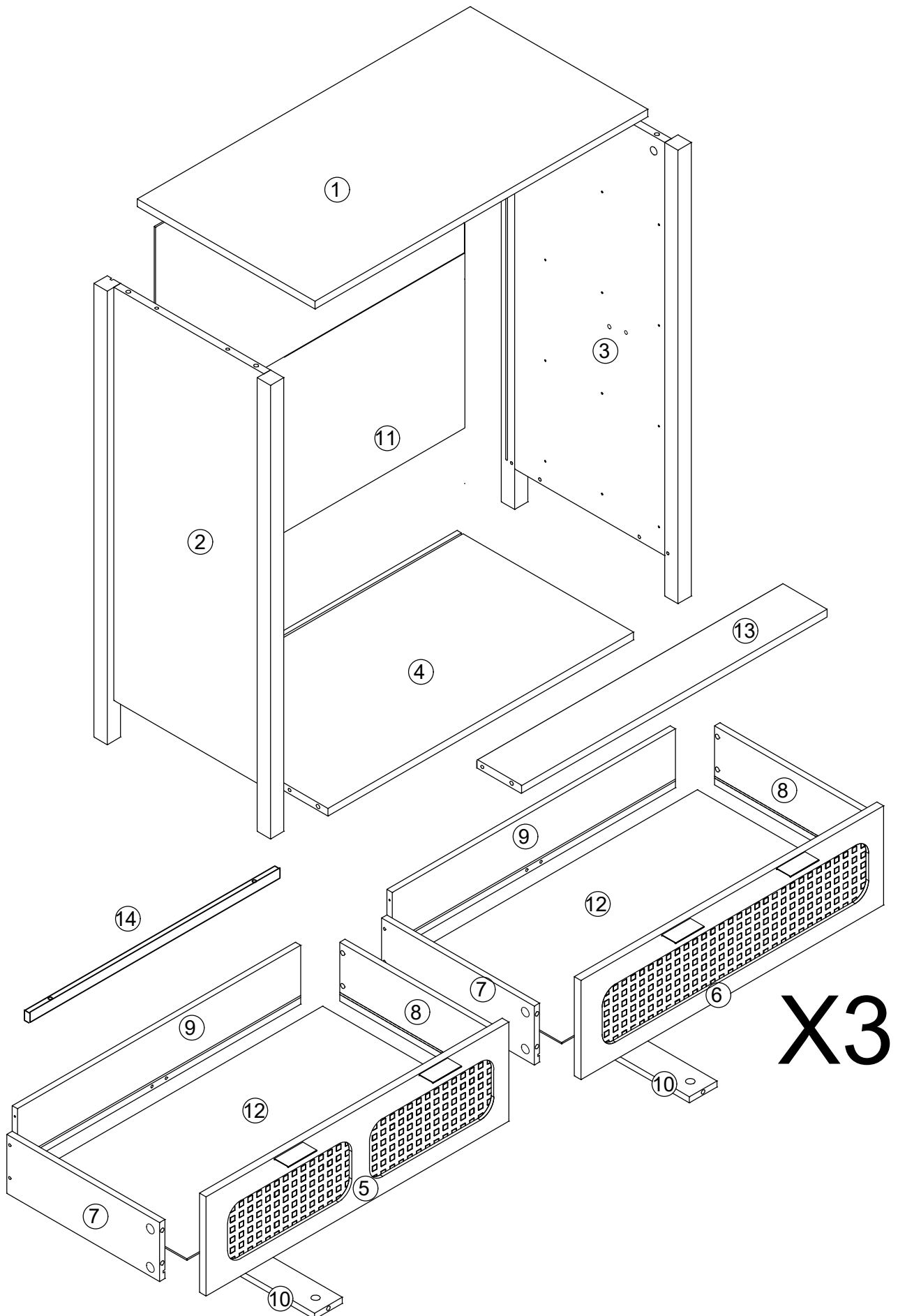
1PC



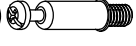
⑭

1PC

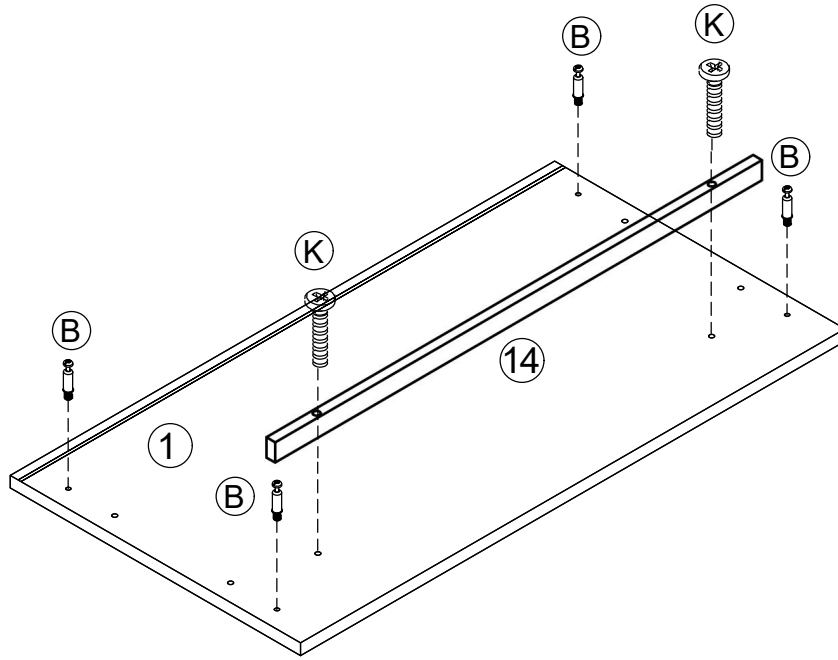
The Accessoriess



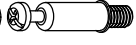
1

(B)  4x

(K)  2x



2

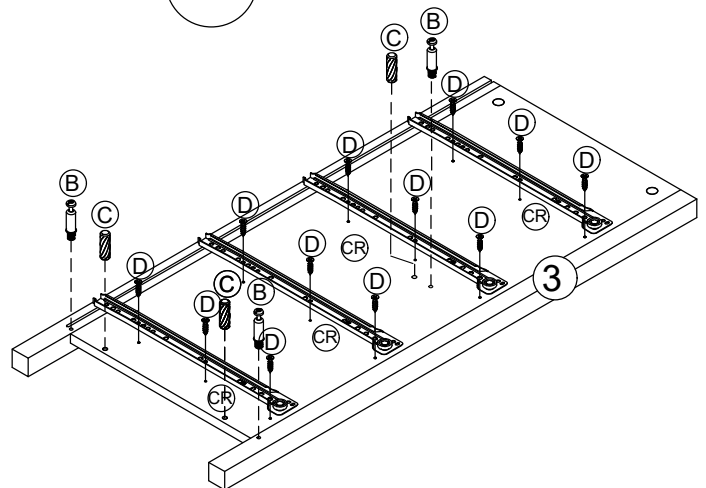
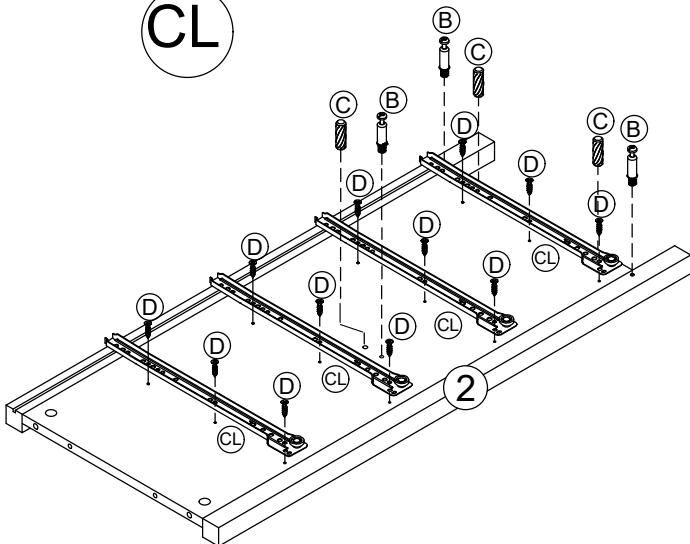
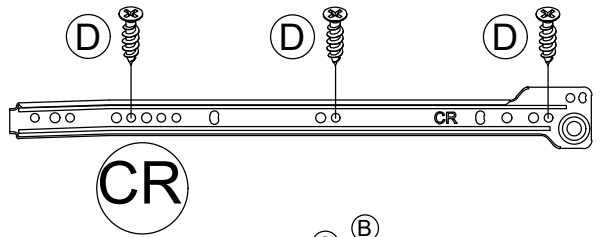
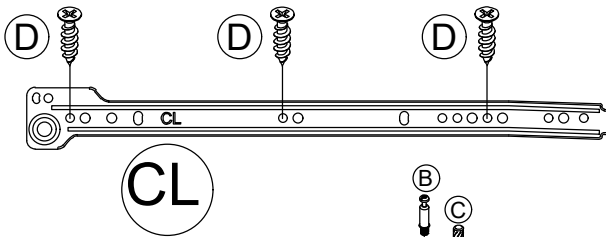
(B)  6x

(C)  6x


(D)  24x

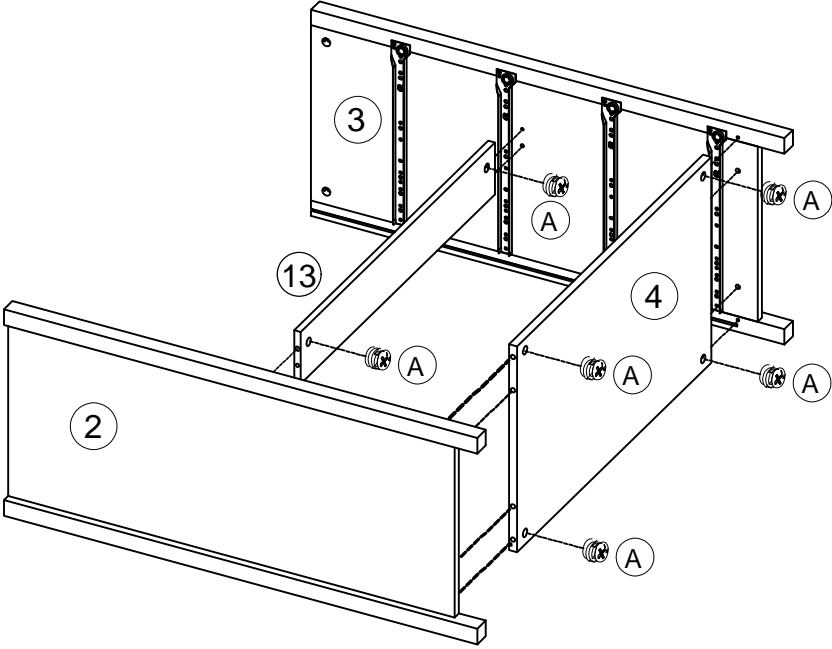
(CL)  4x

(CR)  4x

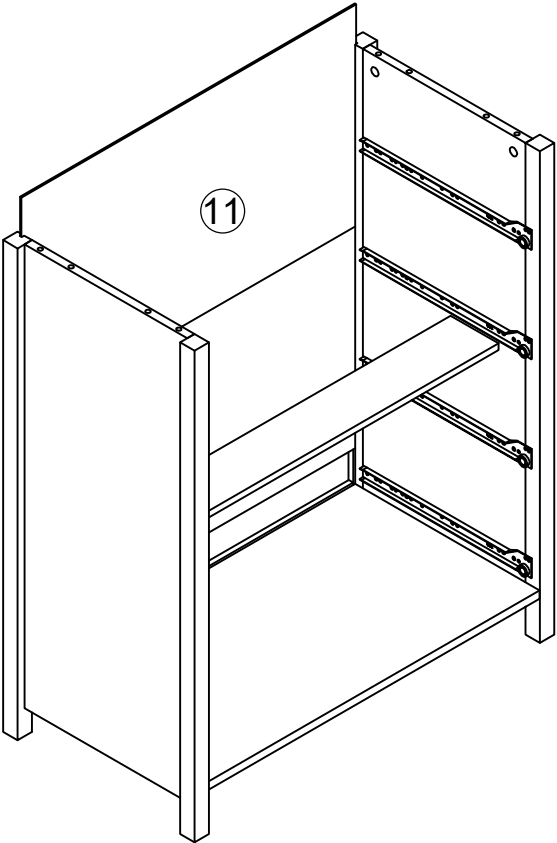




3

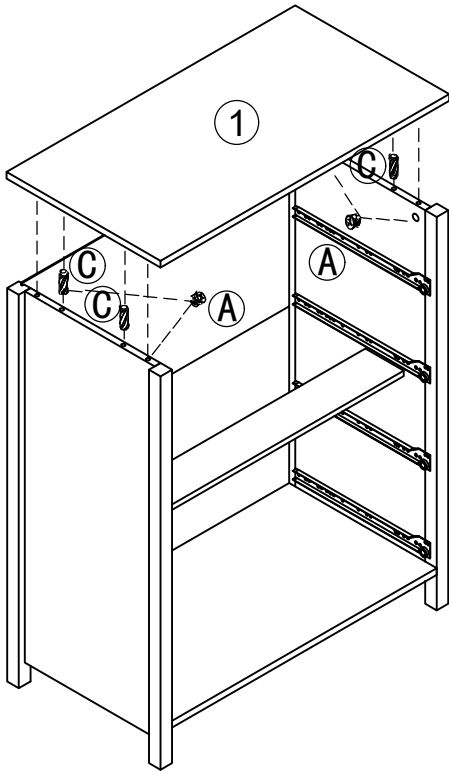
(A)  6x

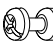


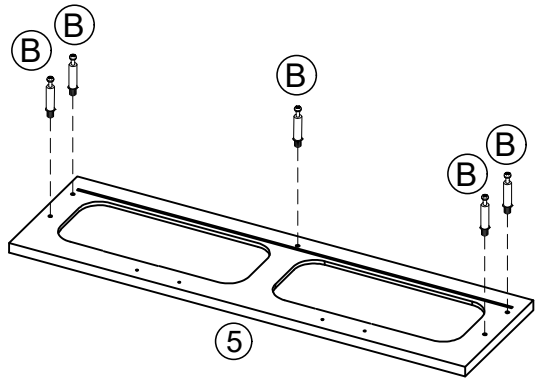
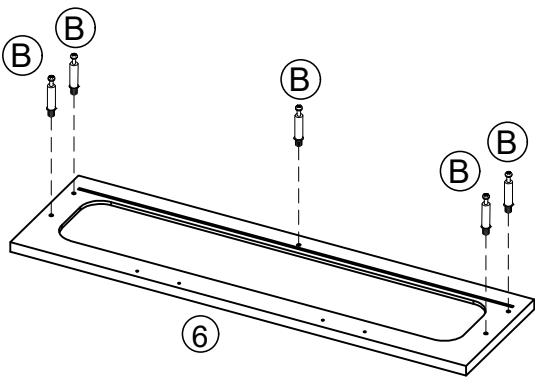
4




- 5 (A)  4x (C)  4x

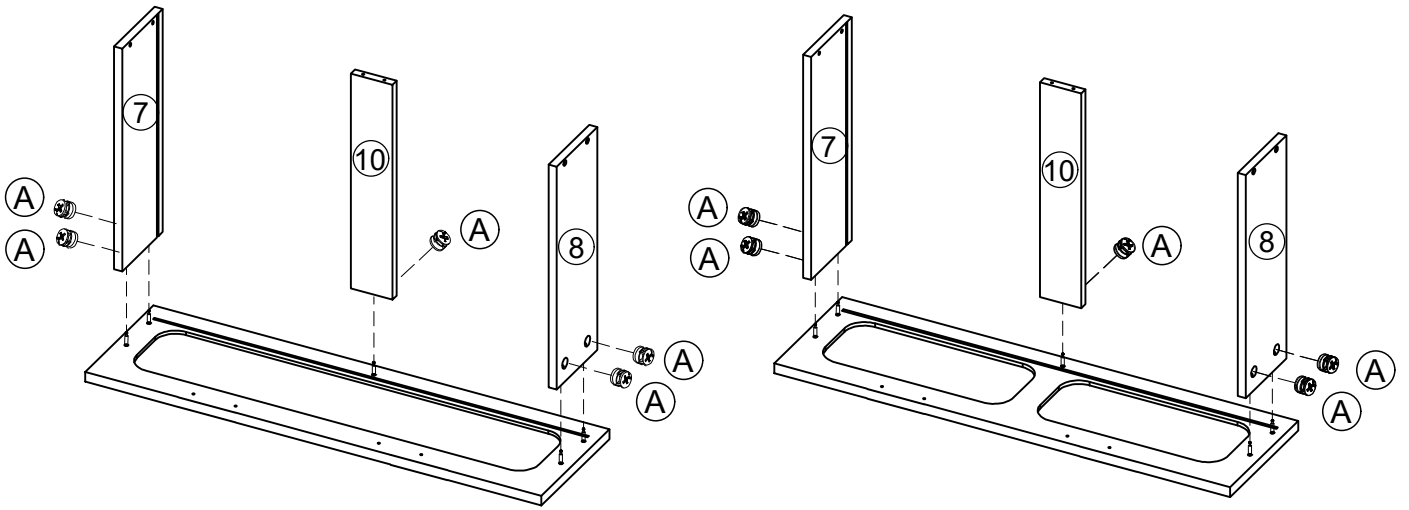


- 6 (B)  20x



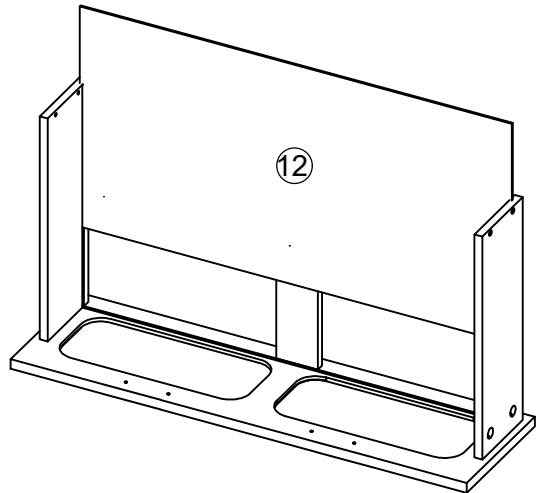
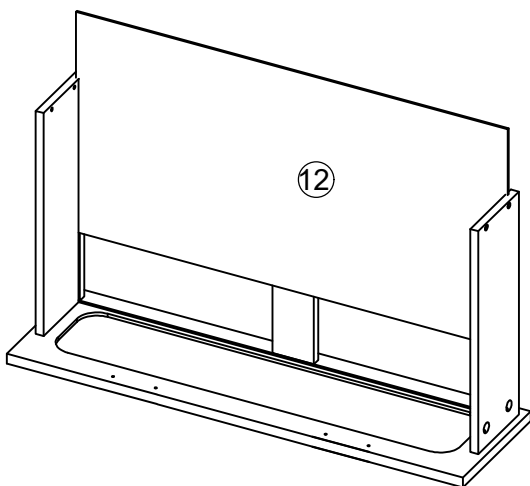
X3

7 (A)  20x



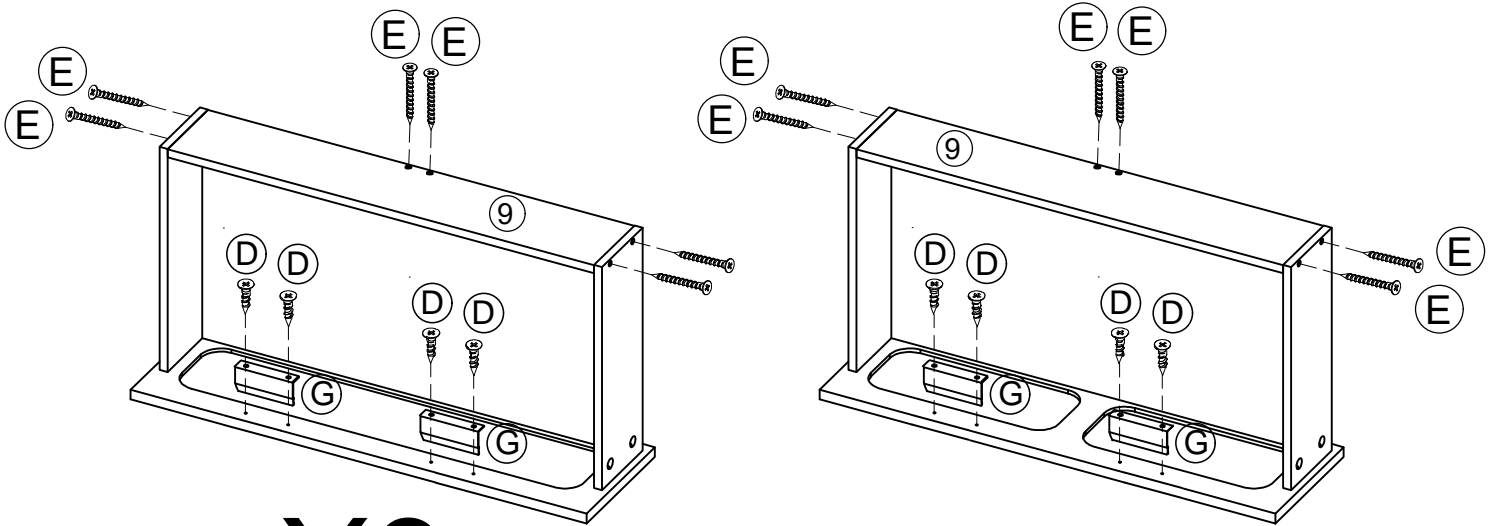
X3

8






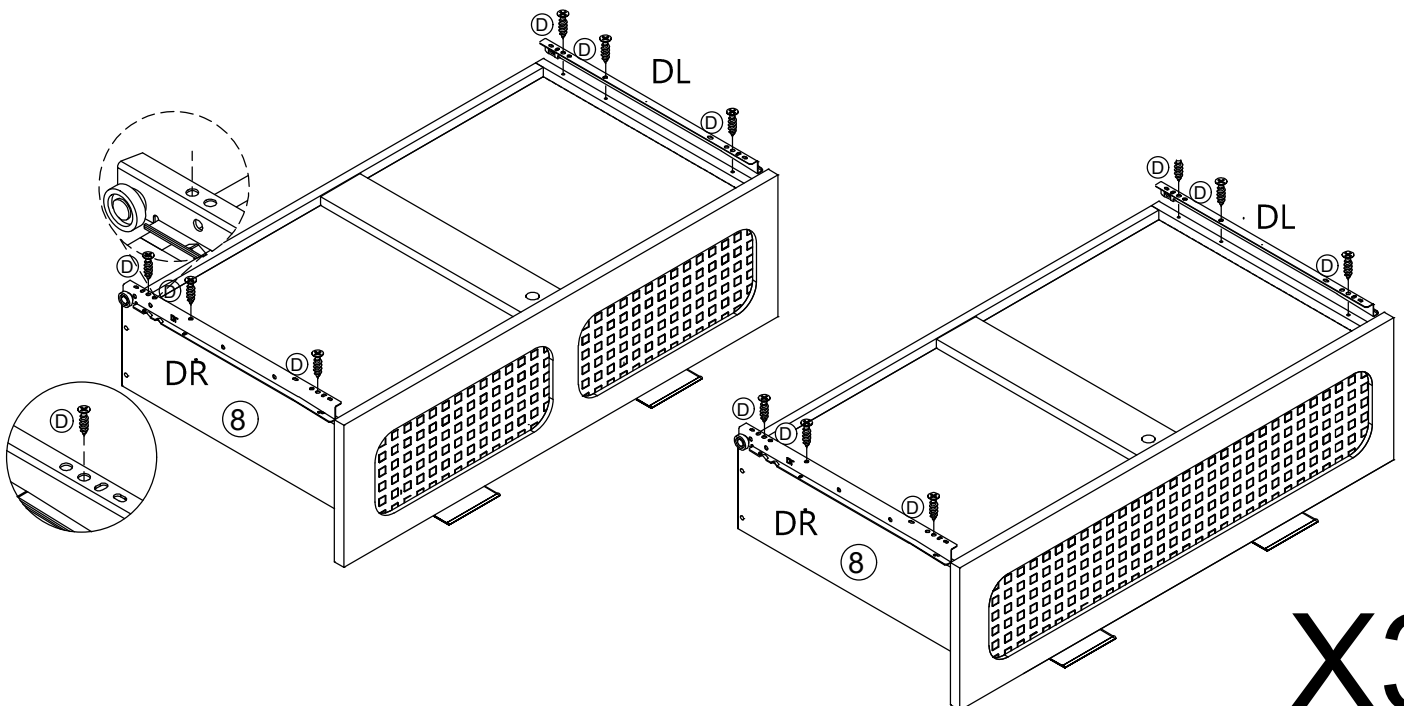
X3

- | | | | |
|---|---|--|---|
| 9 |  16x |  8x |  24x |
|---|---|--|---|



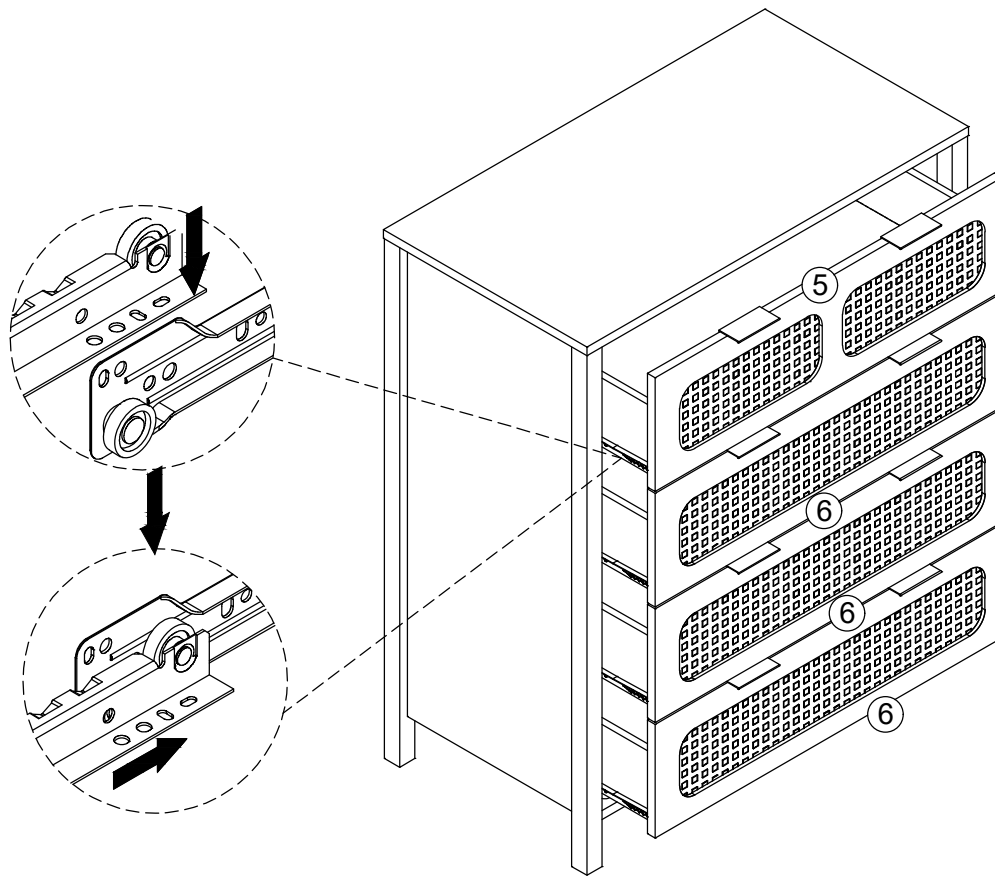
X3

- | | | | |
|----|---|--|--|
| 10 |  24x |  4x |  4x |
|----|---|--|--|







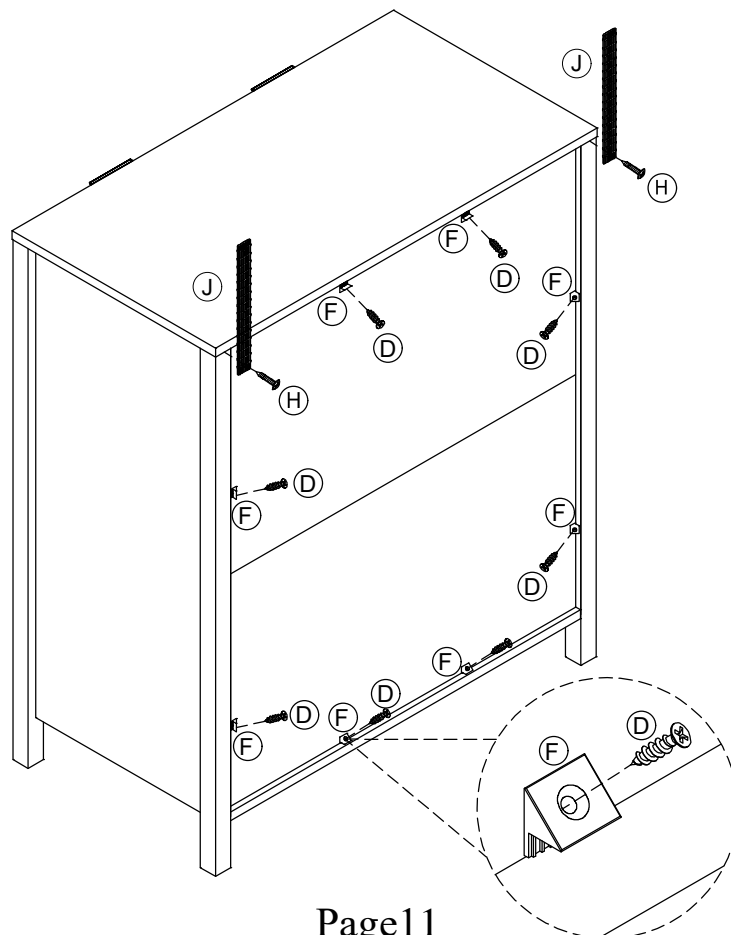
X3

11

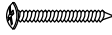



12

(D)		8x	(F)		8x	(H)		2x	(J)		2x
-----	---	----	-----	---	----	-----	---	----	-----	---	----



13

(E)  2x

(I)  2x

