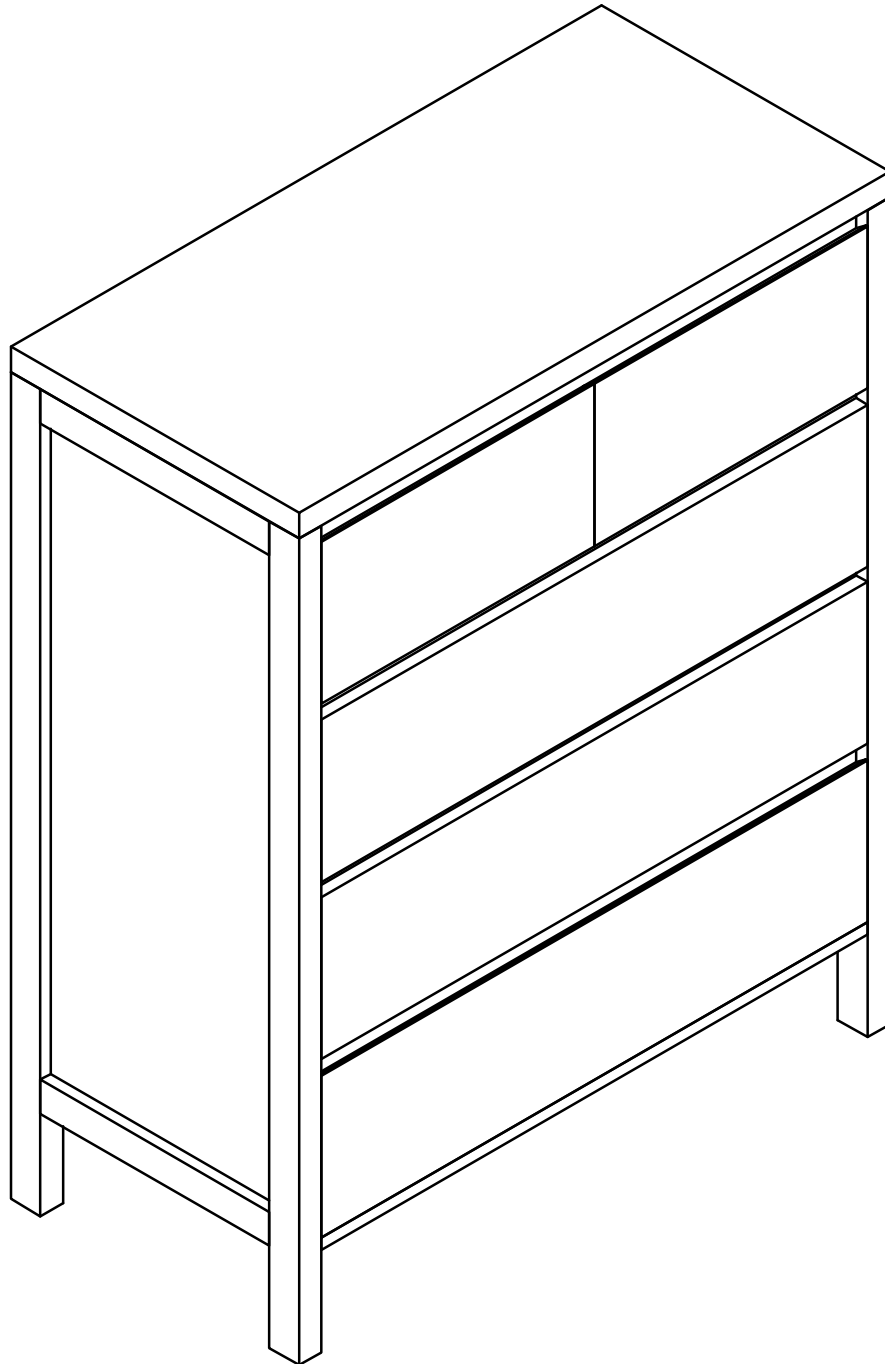
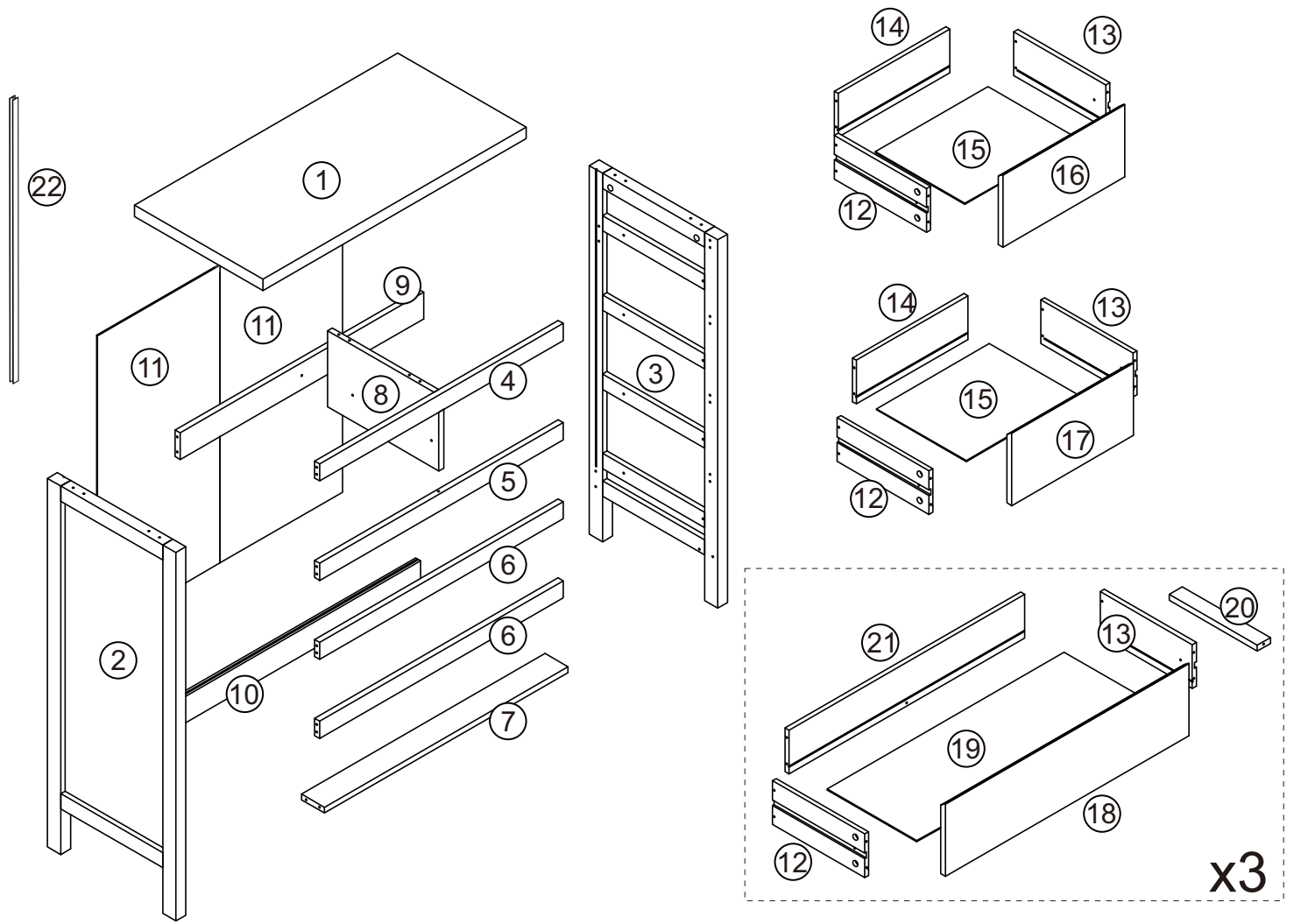
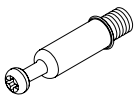
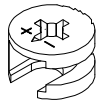
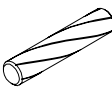
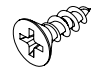
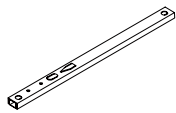
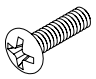


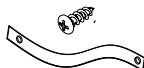
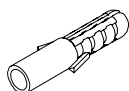
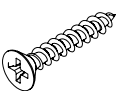


SKU:QZSB233067-W



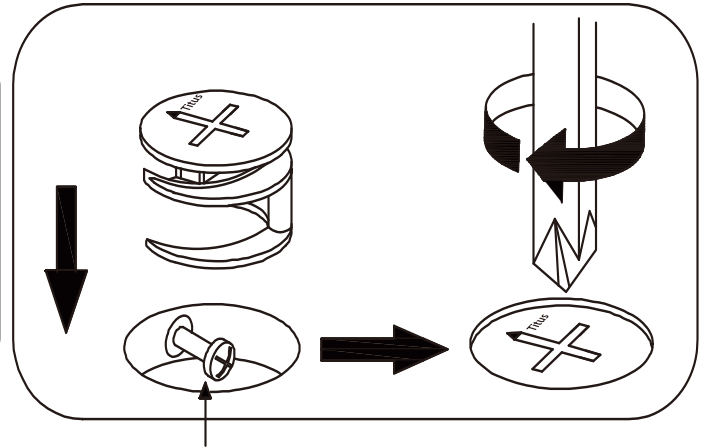
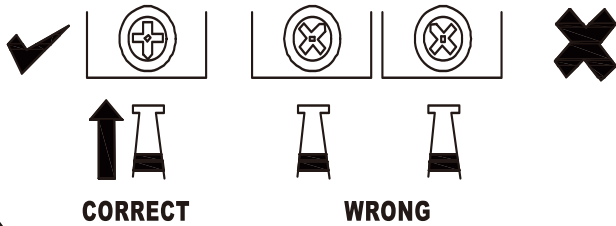


Ax50 	Bx50 	Cx15 	Dx20 	Ex10 
Fx10 	Gx8 	Hx4 	Ix2 	Jx2 
Kx26 				

CAM-LOCK



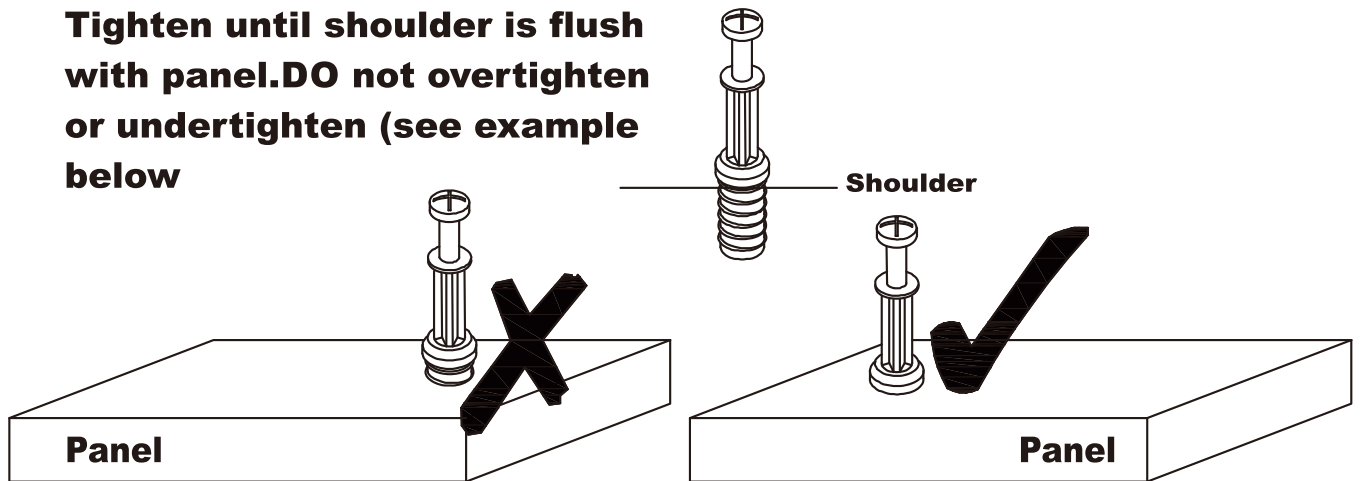
WHEN FITTING CAMLOCK
ENSURE STARTING POSITION IS CORRECT
BEFORE YOU INSERT CONNECTING QUICKFIT
TURN CLOCKWISE UNTIL SECURE






Quickfit head needs to be in centre

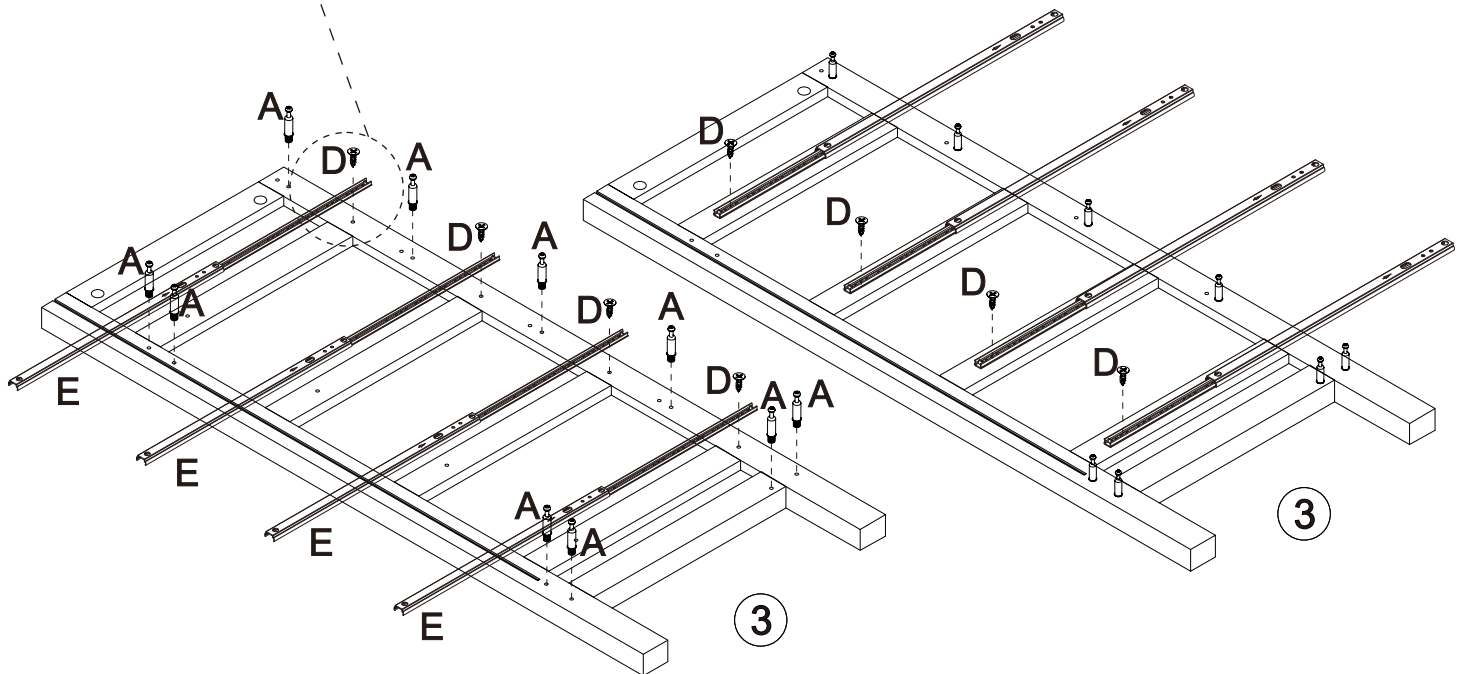
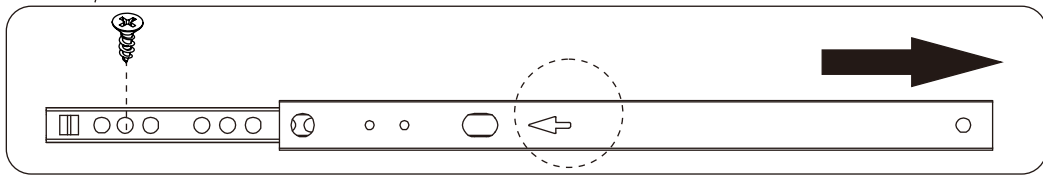
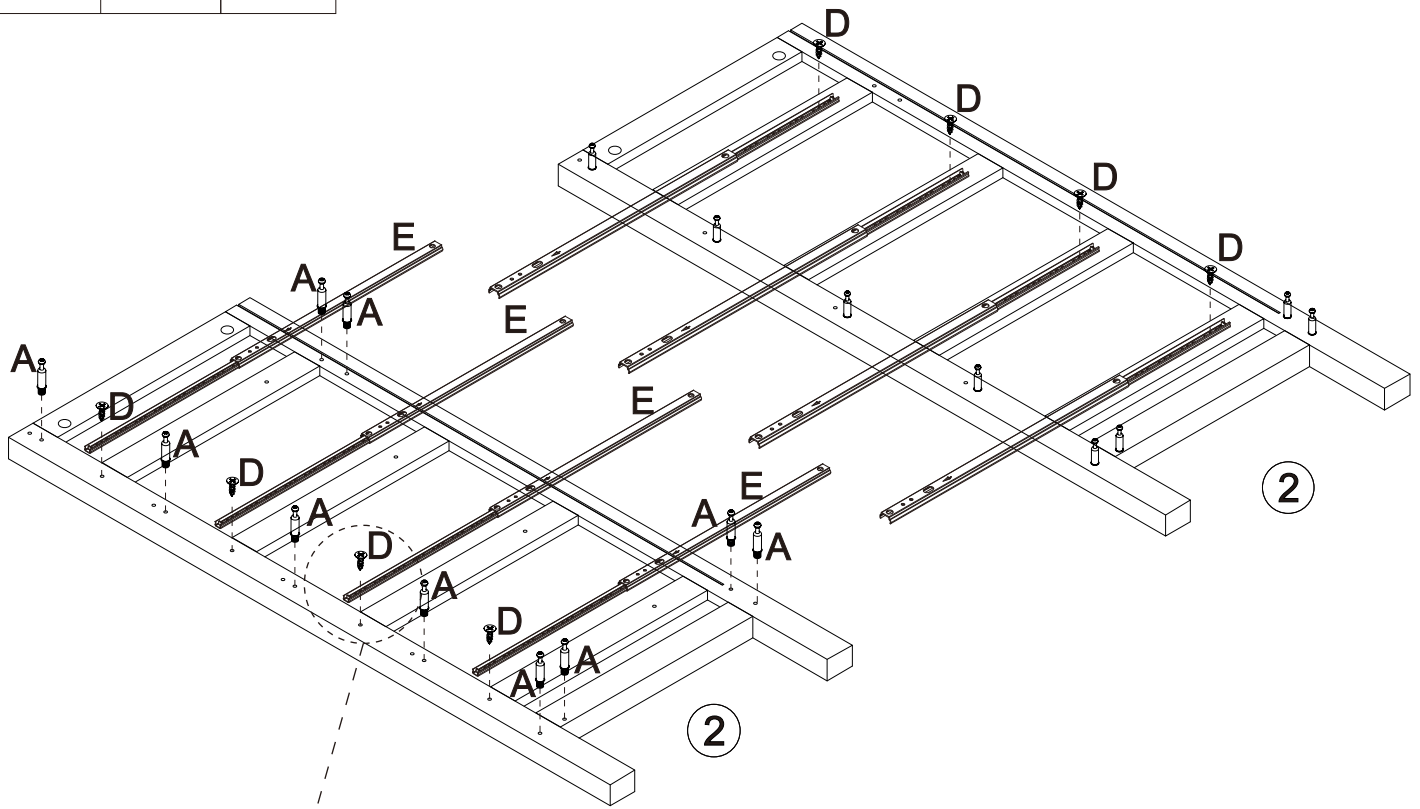
QUICKFIT

Tighten until shoulder is flush with panel. DO not overtighten or undertighten (see example below)





1

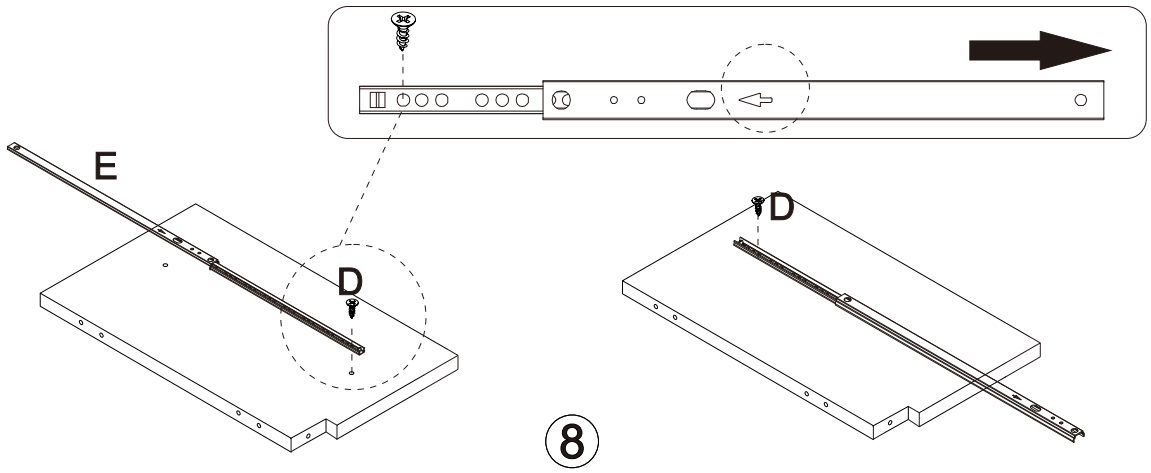
Ax20	Dx16	Ex8
		



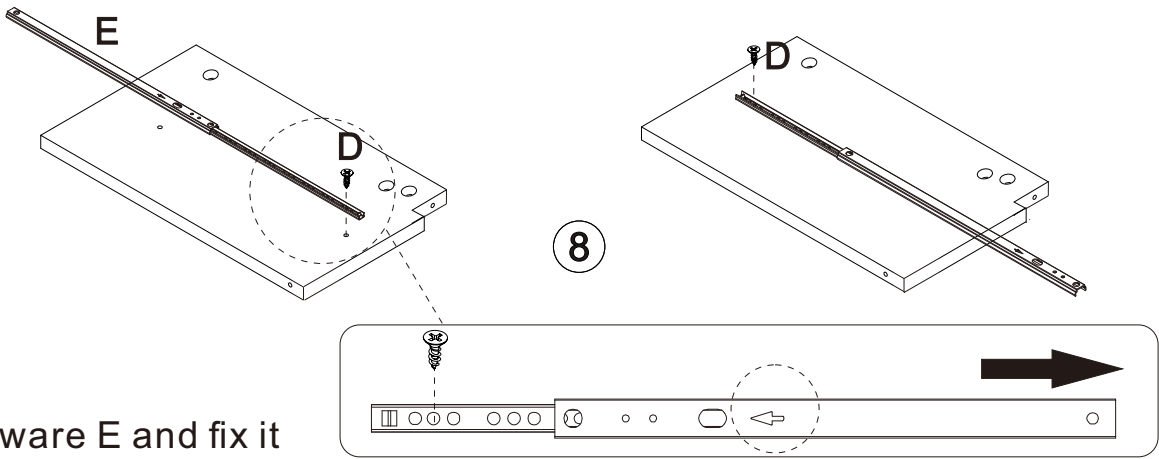
Stretch hardware E and fix it panel 2 with screw D. Screw hardware A to panel 2 .
Stretch hardware E and fix it panel 3 with screw D. Screw hardware A to panel 3 .

2

Dx4	Ex2
	






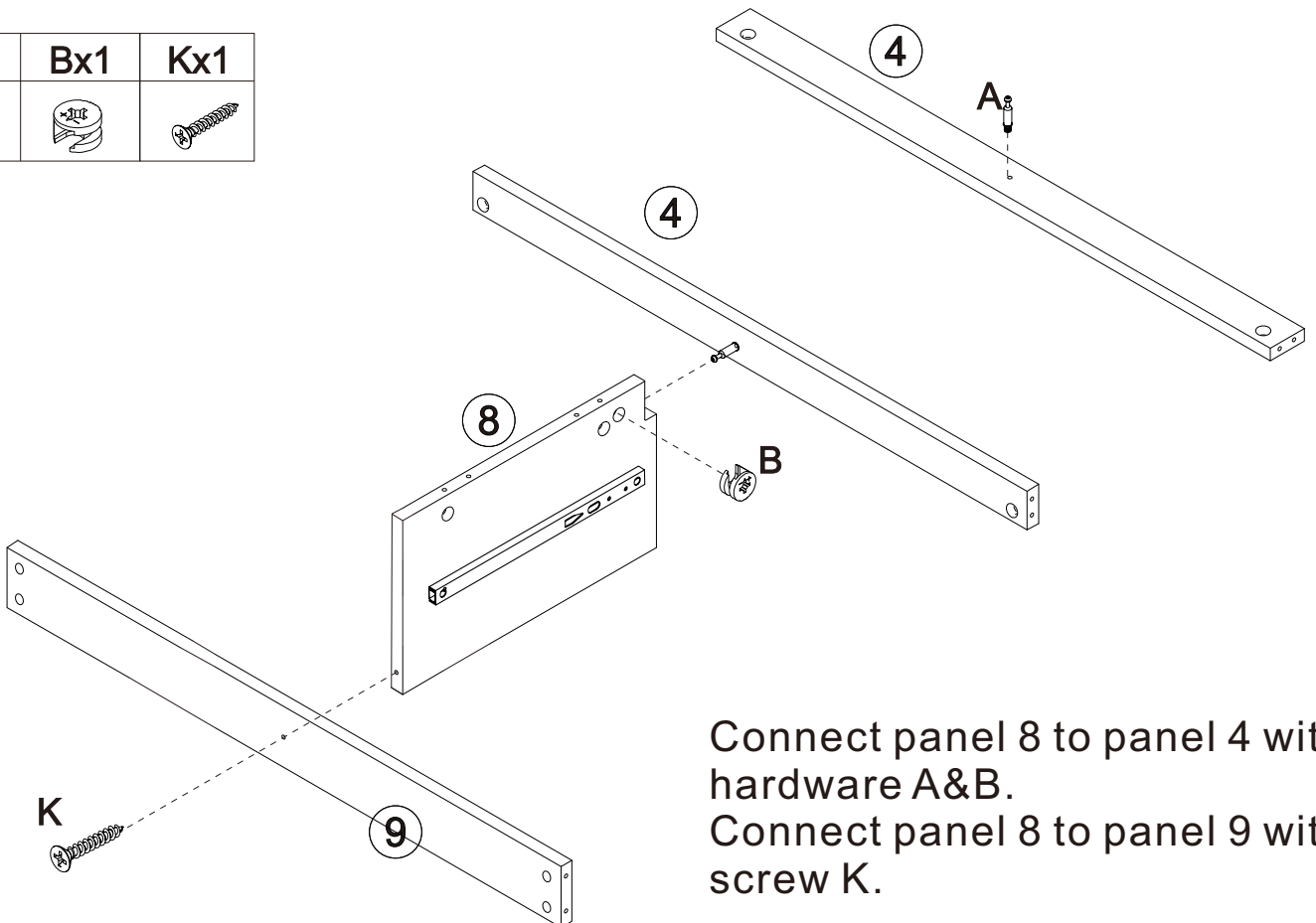
Install the other side



Stretch hardware E and fix it both sides of panel 8 with screw D.



3

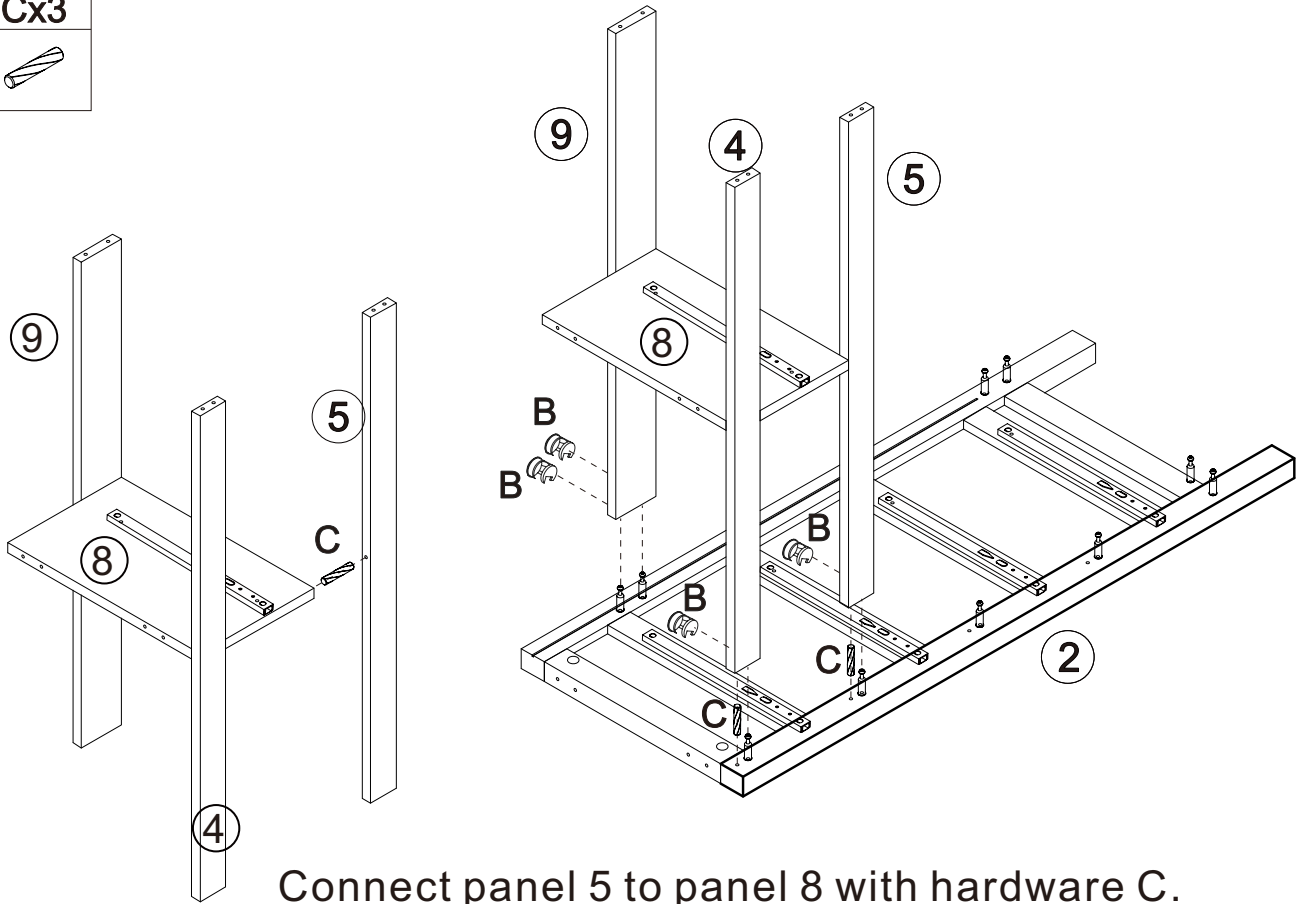
Ax1	Bx1	Kx1
		



Connect panel 8 to panel 4 with hardware A&B.
Connect panel 8 to panel 9 with screw K.



4

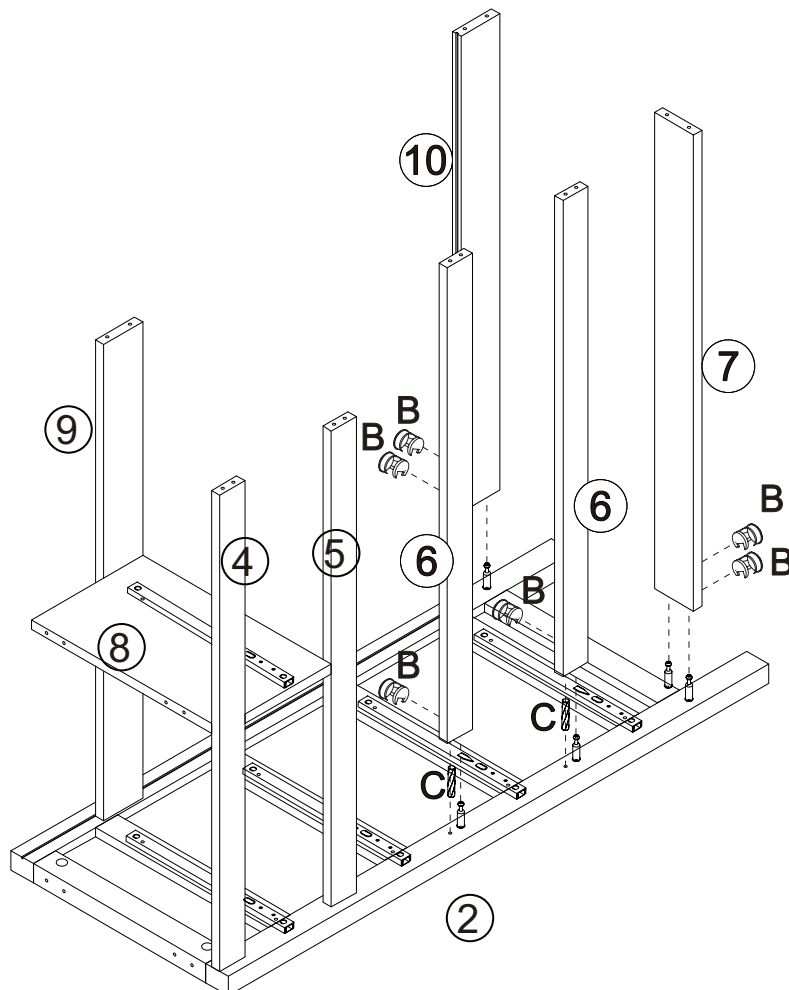
Bx4	Cx3
	



Connect panel 5 to panel 8 with hardware C.
Connect panel 2 to panel 4&5&9 with hardware B&C.



5

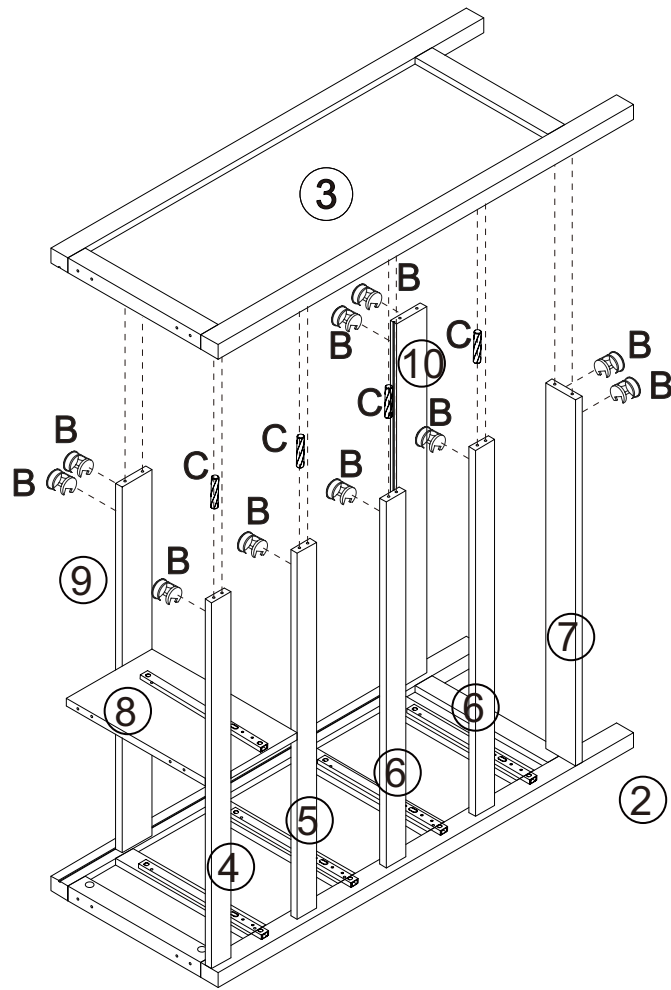
Bx6	Cx2
	



Connect panel 2 to panel 6&7&10 with hardware B&C.

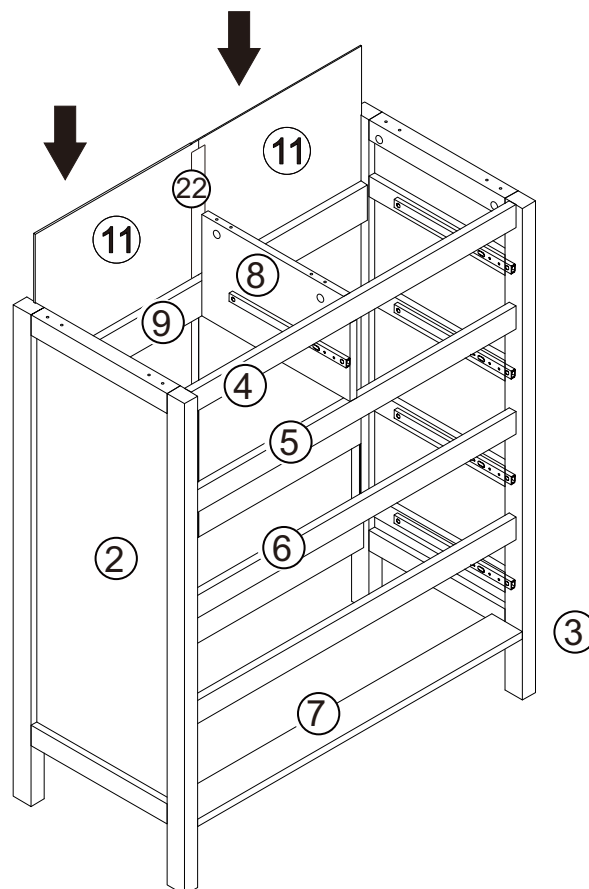
6

Bx10	Cx4
	






Connect panel 3 to panel 4&5&9&6&6&7&10 with hardware B&C.

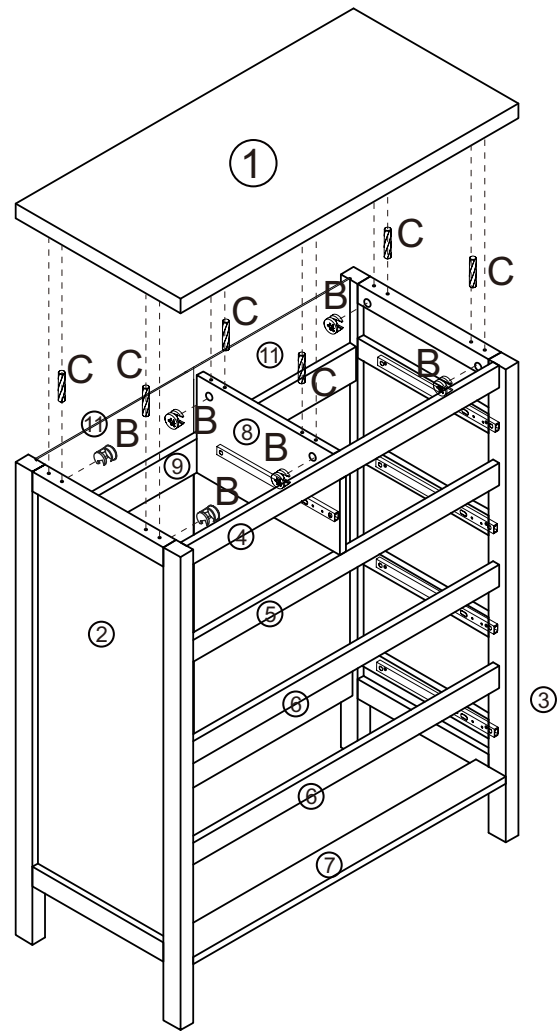
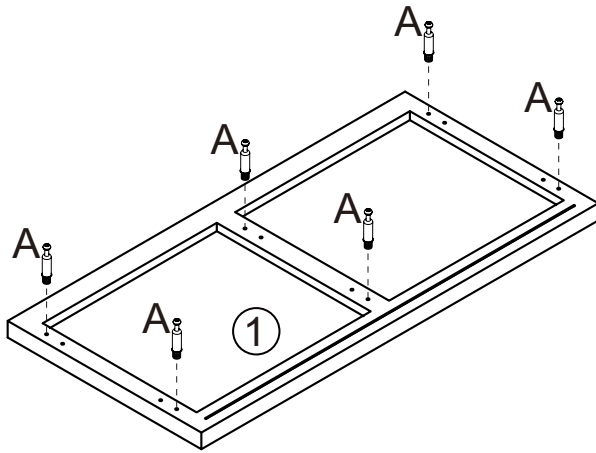
7



Insert panel 11 along the slots of panel 2&3&22.




8

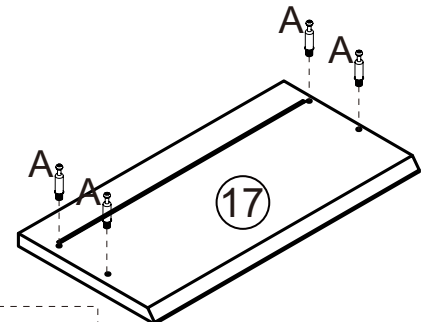
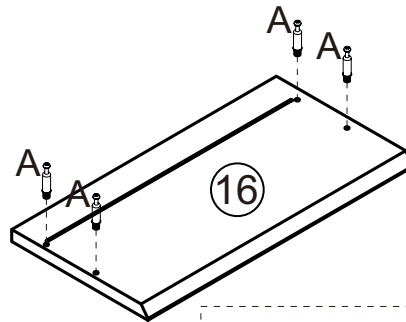
Ax6	Bx6	Cx6
		



Screw hardware A to panel 1.
connect panel 1 to panel 2&3 &4&8&11

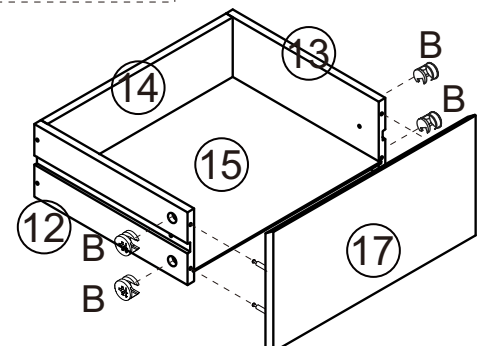
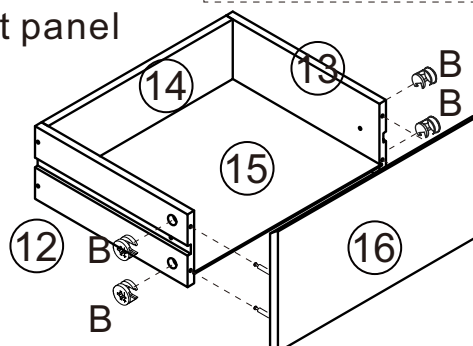
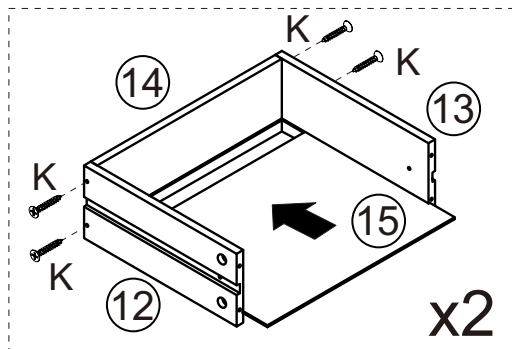
9

Ax8	Bx8	Kx8
		






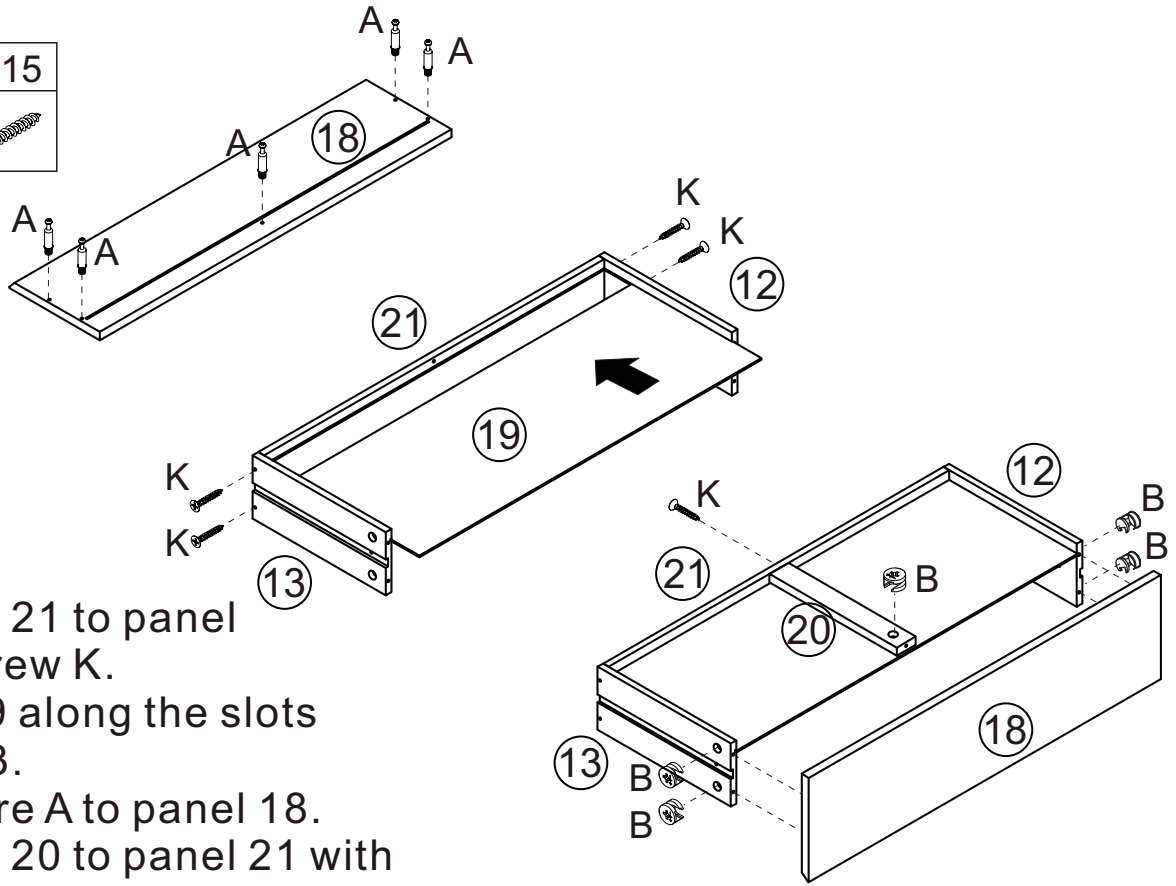
Screw hardware A to panel 16&17.

Connect panel 14 to panel 12&13 with screw K. Insert panel 15 along the slots of panel 12&13.
Connect panel 16 to panel 12&13 with hardware B. Connect panel 17 to panel 12&13 with hardware B.



10


Ax15	Bx15	Kx15
		

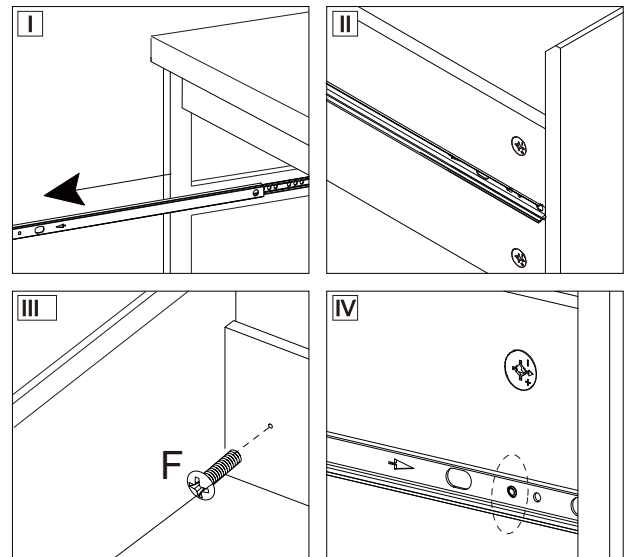
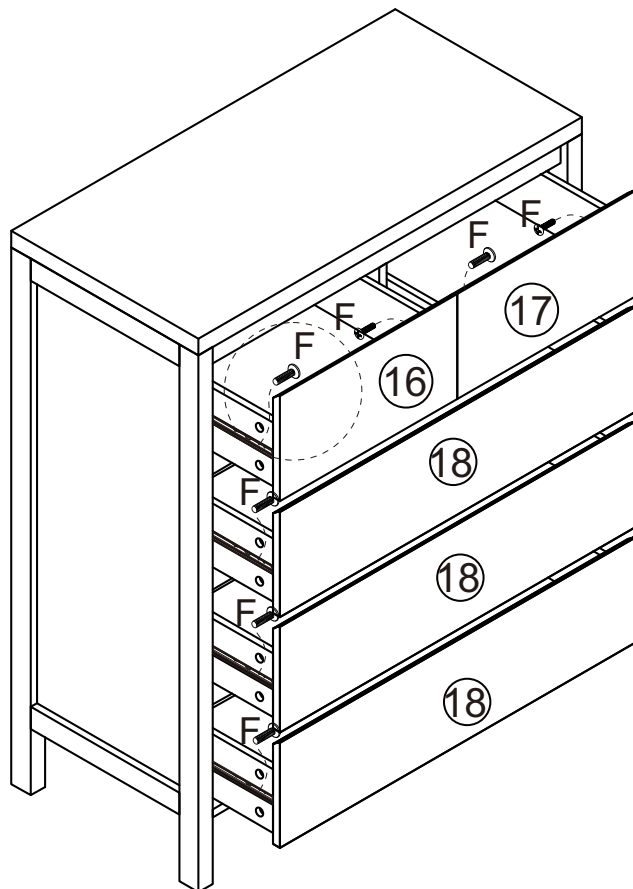


Connect panel 21 to panel 12&13 with screw K.
 Insert panel 19 along the slots of panel 12&13.
 Screw hardware A to panel 18.
 Connect panel 20 to panel 21 with screw K.
 Connect panel 18 to panel 12&13&20 with hardware B.

x3

11

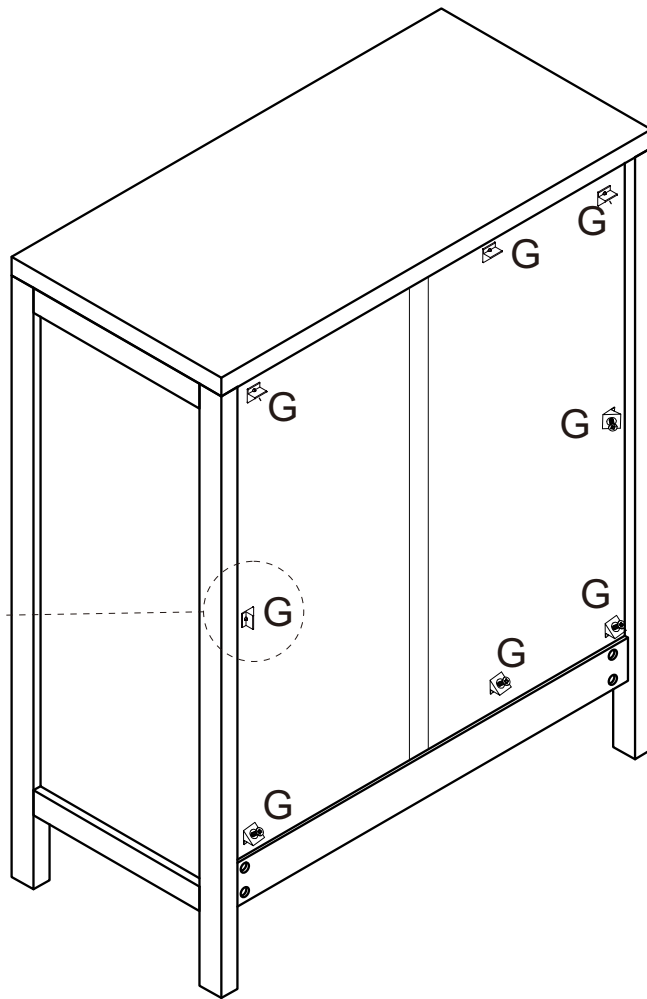
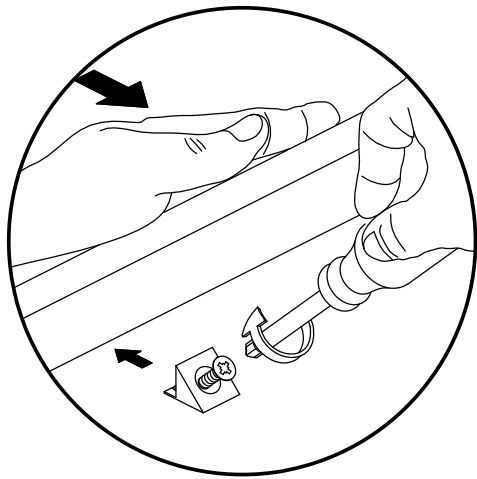
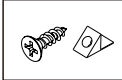
Fx10




Put the drawer into frame , and fix screw F to the drawer slider. There are 2 holes and you can fix in any of it.
 Drawer with panel 16 must be put on the left .
 Drawer with panel 17 must be put on the right.
 otherwise will not fit well.

12

Gx8

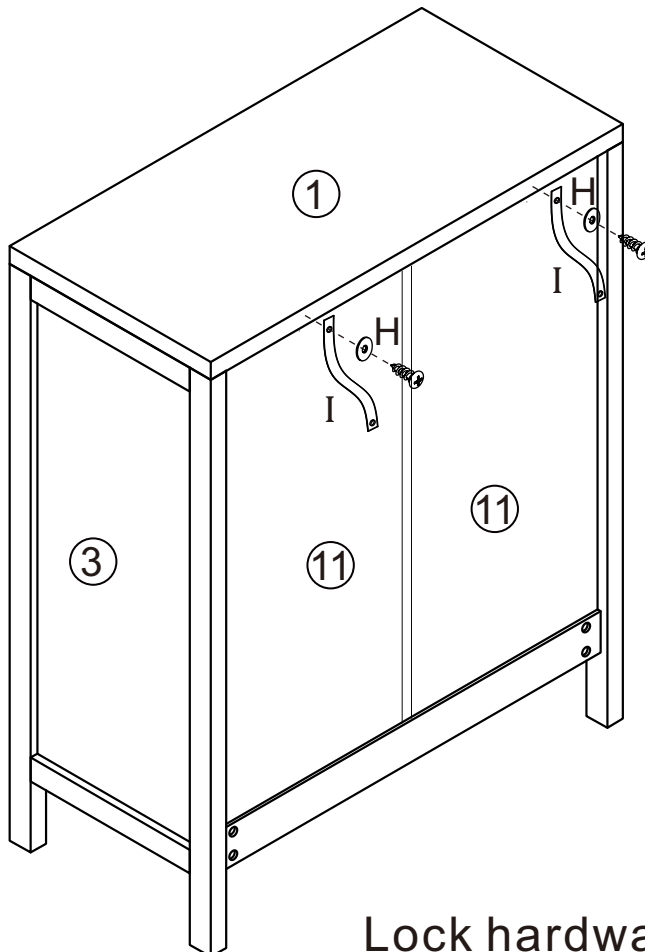
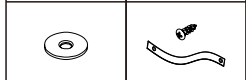


Lock hardware G at the corners of backboard.




13

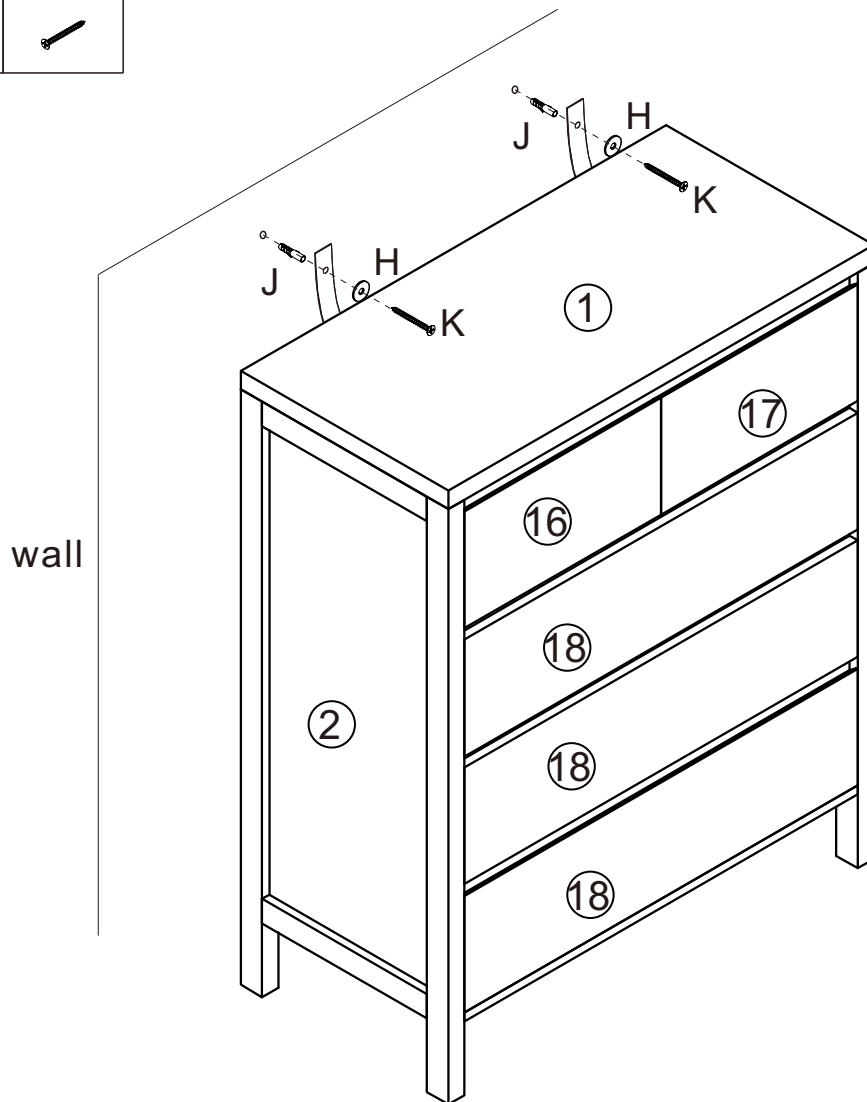
Hx2

Ix2



Lock hardware I at the panel 1 with hardware H.

Hx2	Jx2	Kx2
		



If it is a solid wall, please use expansion and self-tapping screws to secure the cabinet to the wall, if it is a wooden wall, only use self-tapping screws. Please don't overtighten screws.