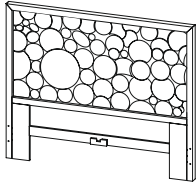
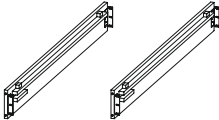
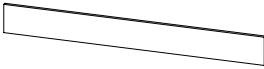
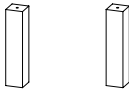
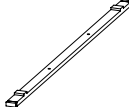
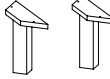
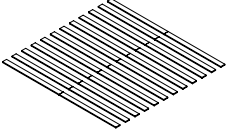


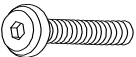
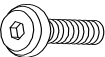
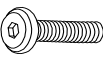
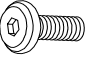



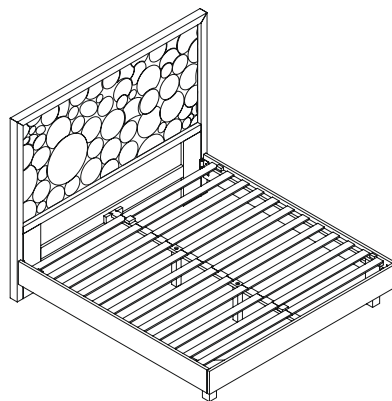
ASSEMBLY INSTRUCTIONS

SKU # 54010231/54010232/54010234/54010242

PARTS LIST

A	HEADBOARD x 1		<p>Before Beginning</p> <p>1 - Carefully unpack and position the item on a clean, non-marring surface to assemble.</p> <p>2 - Read this Assembly Instructions from beginning to end before starting to assemble.</p> <p>3 - Take an inventory of the required parts to ensure all are available.</p> <p>4 - To prevent accidental choking hazards, keep all packing materials away from small children.</p> <p>5 - Only tighten hardware until ALL hardware are fully engaged on their locations. Overtighten bolts will damage the bolt threads.</p> <p>6 - Use only factory provided hardware to assemble. Unapproved hardware can damage product or jeopardize the structural integrity of the product.</p> <p>7 - The use of power tool to assemble is not recommended due to high risk of over-torque, which can damage the product.</p>
B	SIDERAIL x 2		
C	FOOTBOARD x 1		
D	CENTER LEG x 2		
E	CENTER SUPPORT x 1		
F	CORNER LEG x 2		
G	SLATES x 24		

Z	HARDWARE	Z1	Z2	Z3	Z4	Z5	Z6	Z7
								
		$\varnothing 12 \times \varnothing 10\text{MM}$ x 18	$\varnothing 20 \times \varnothing 10\text{MM}$ x 18	M6 x 75MM x 6	M6 x 25MM x 6	M6 x 50MM x 4	M6 x 30MM x 2	M4 x 110MM x 1



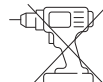
TWO PEOPLE



30-MINUTE
ASSEMBLY TIME



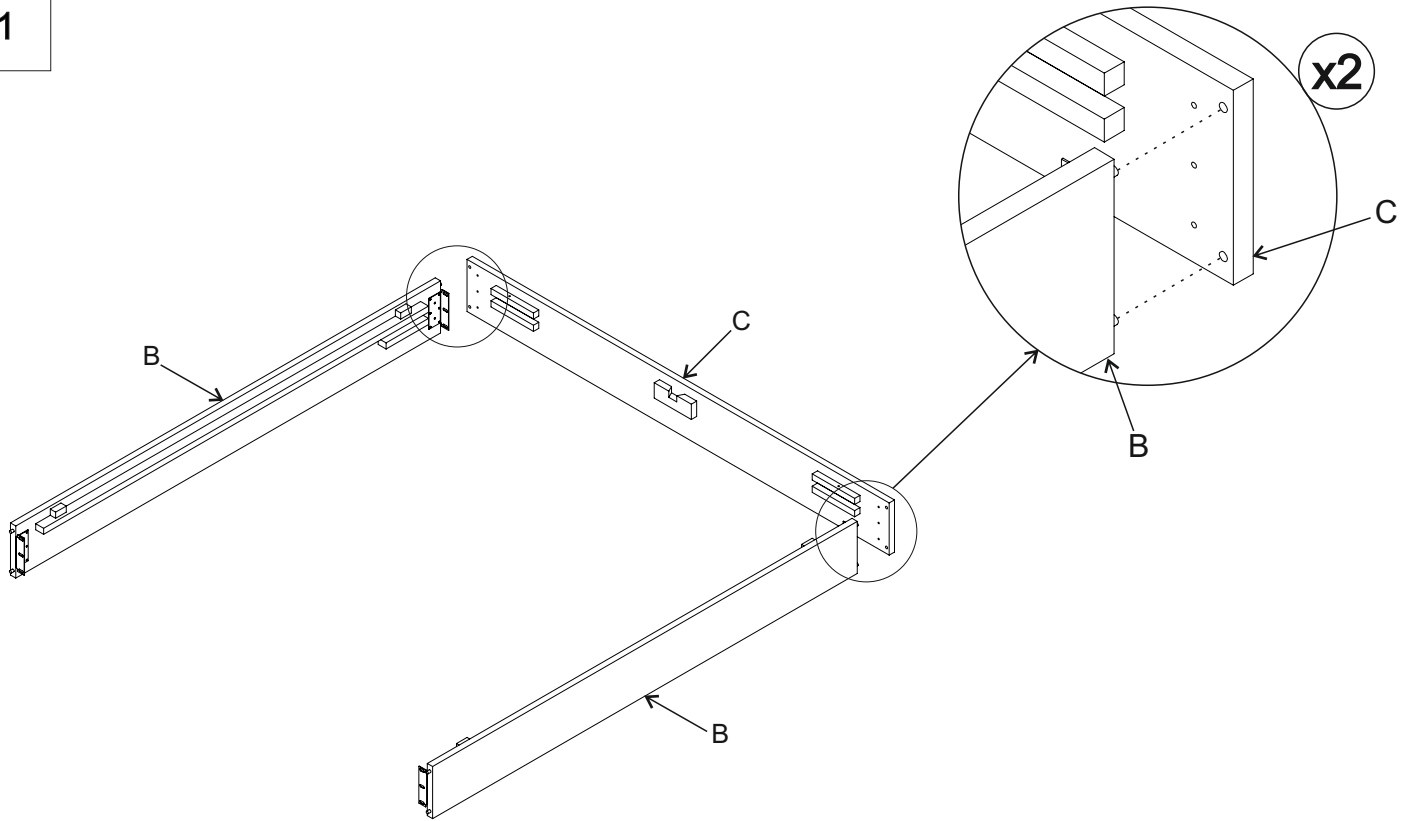
KEEP INSTRUCTIONS
FOR FUTURE USE



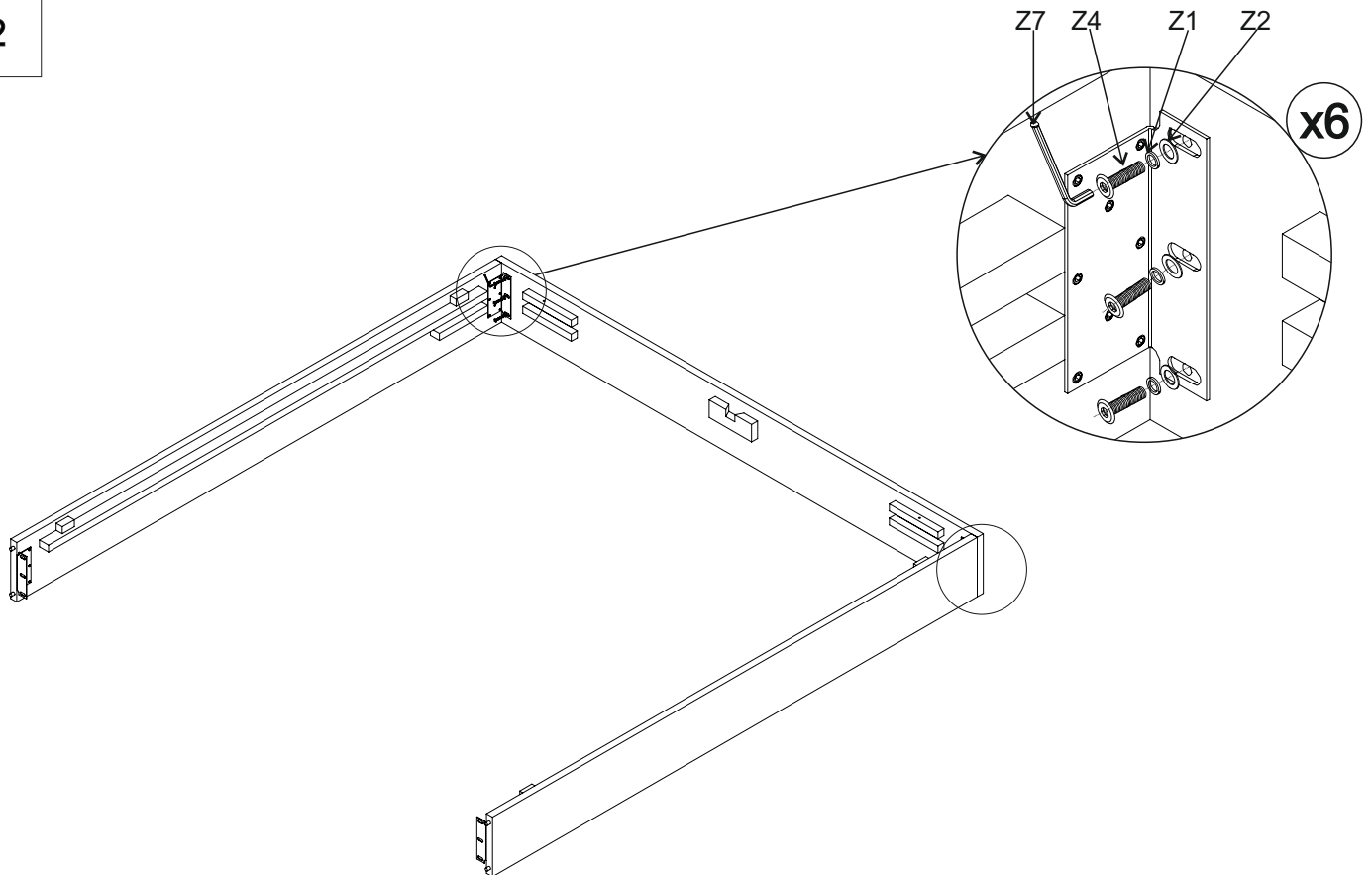
ASSEMBLY INSTRUCTIONS

SKU # 54010231/54010232/54010234/54010242

1

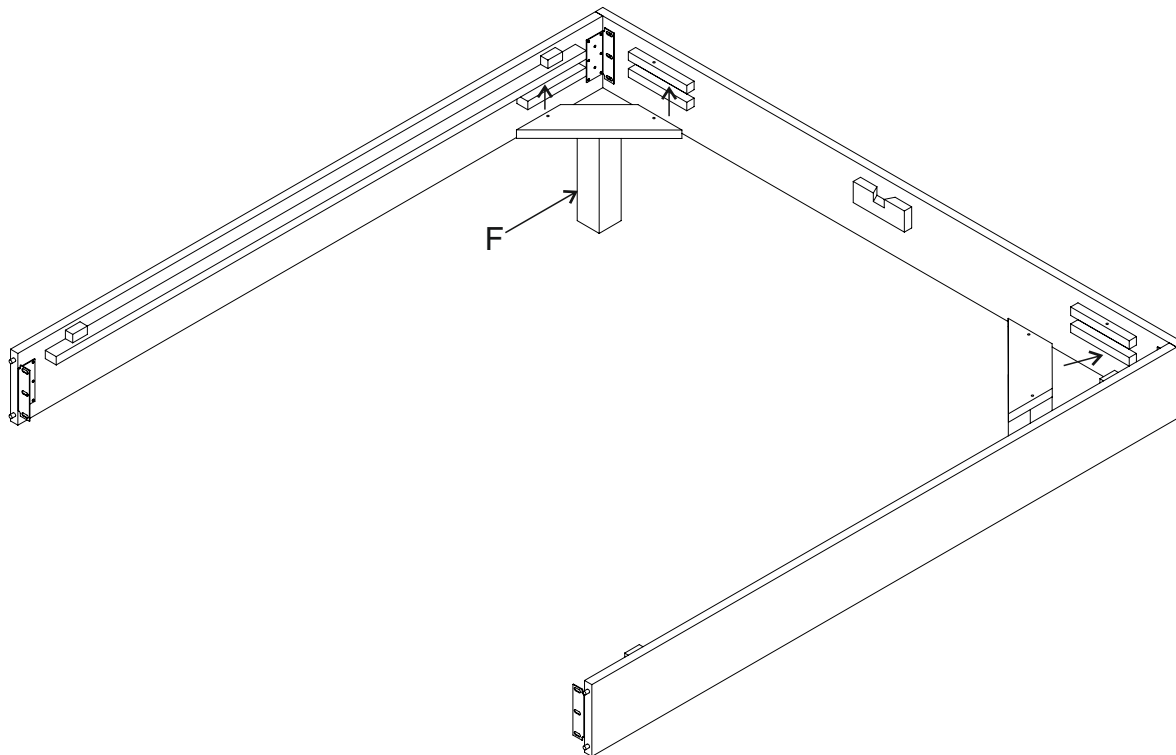


2

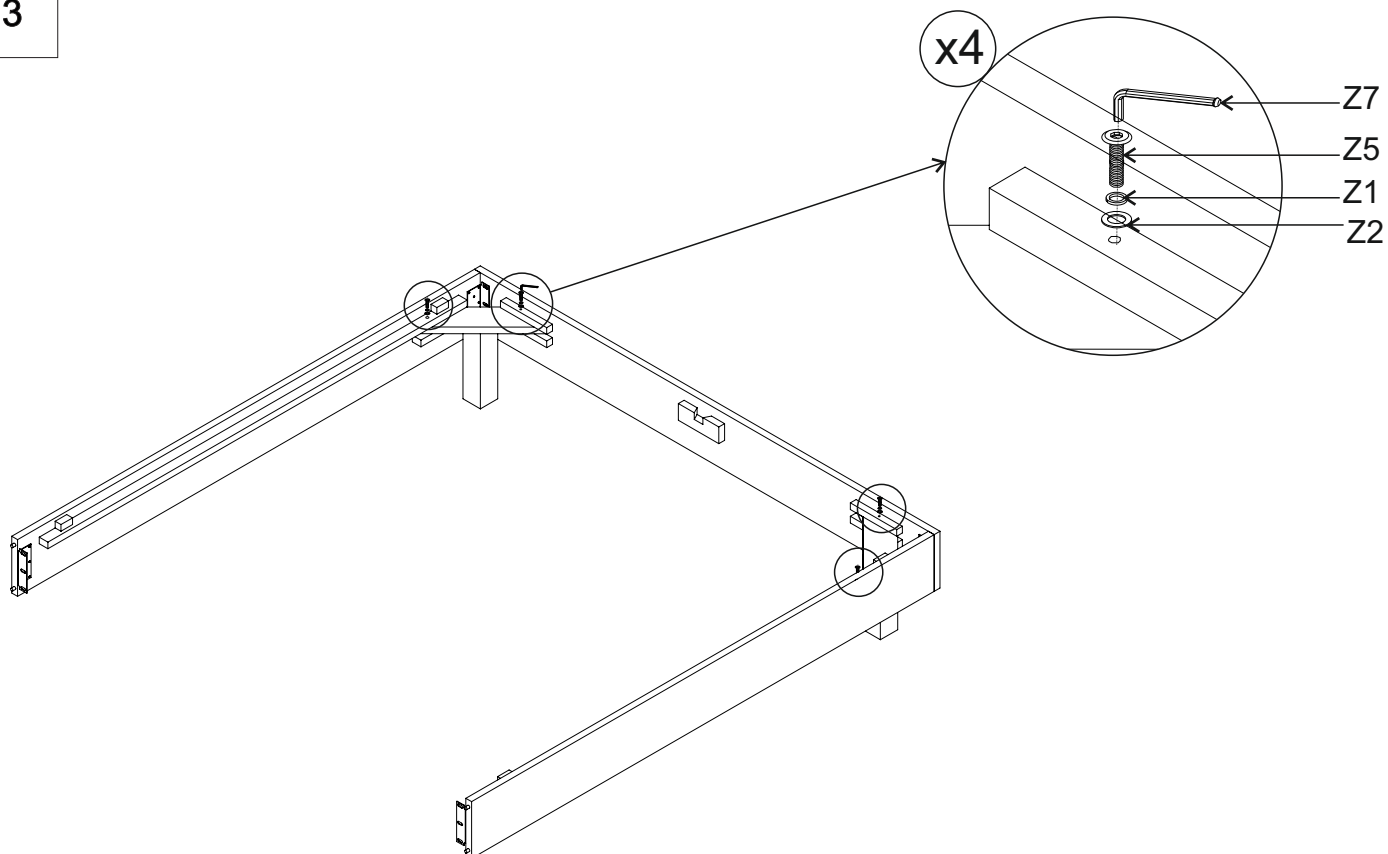


ASSEMBLY INSTRUCTIONS
SKU # 54010231/54010232/54010234/54010242

2

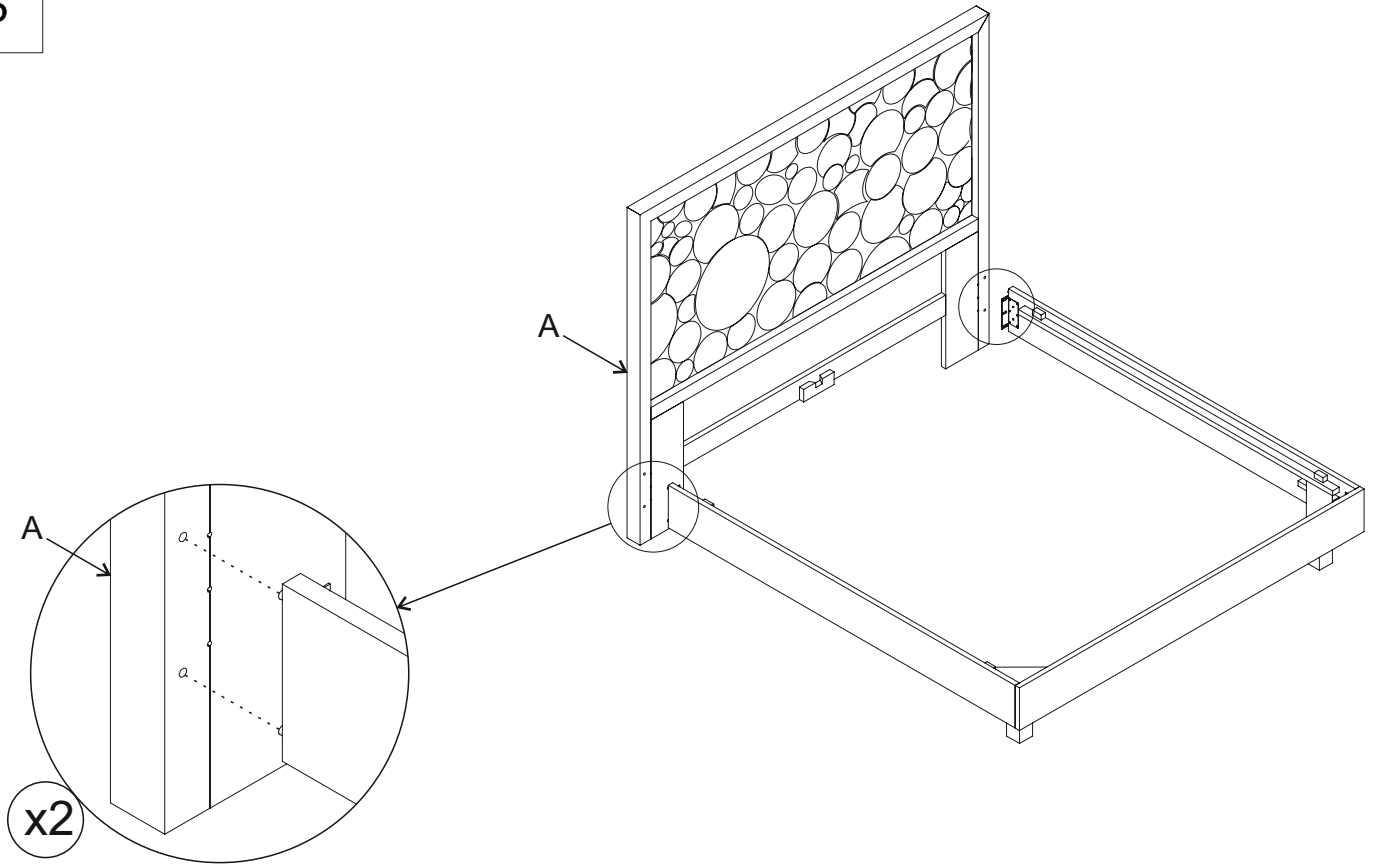


3

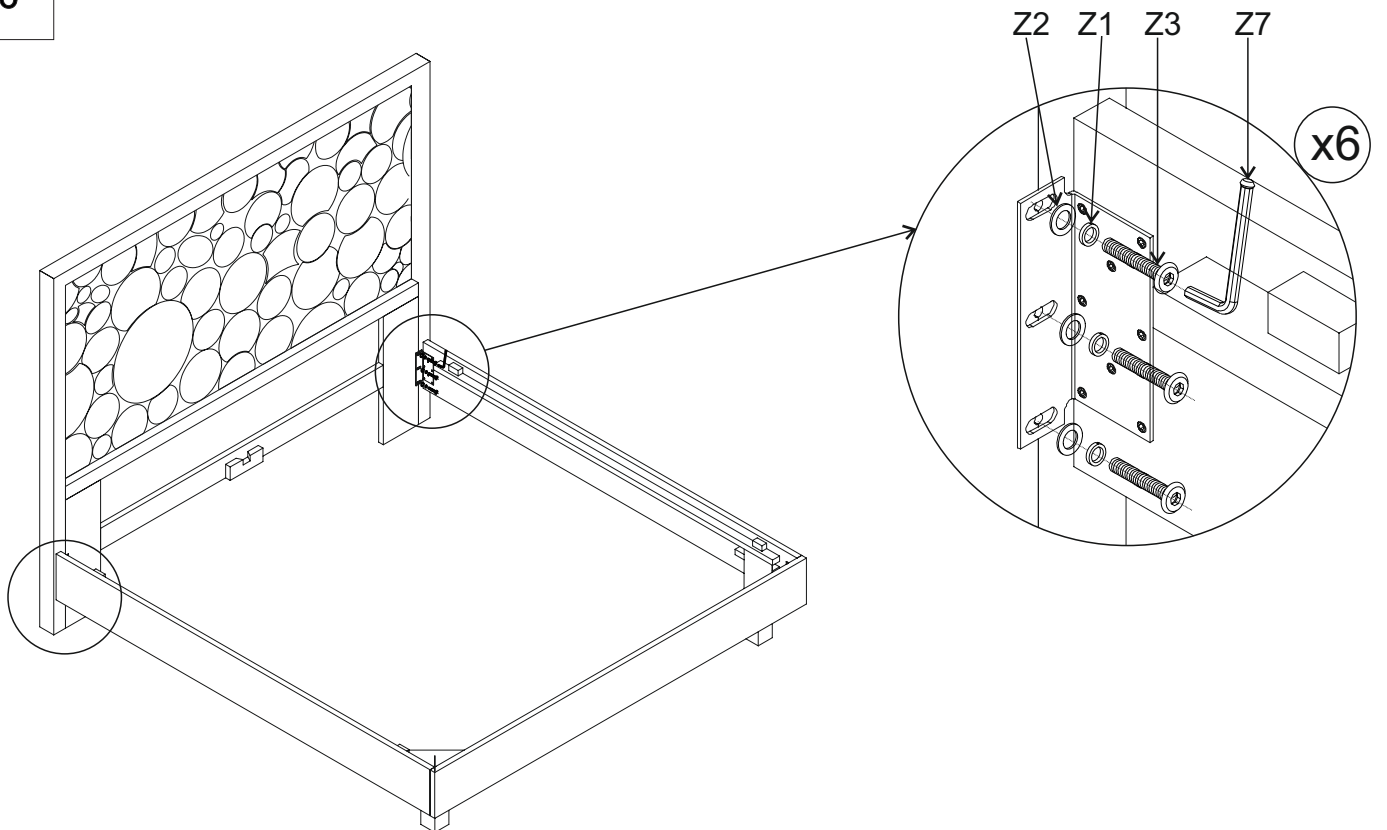


ASSEMBLY INSTRUCTIONS
SKU # 54010231/54010232/54010234/54010242

5

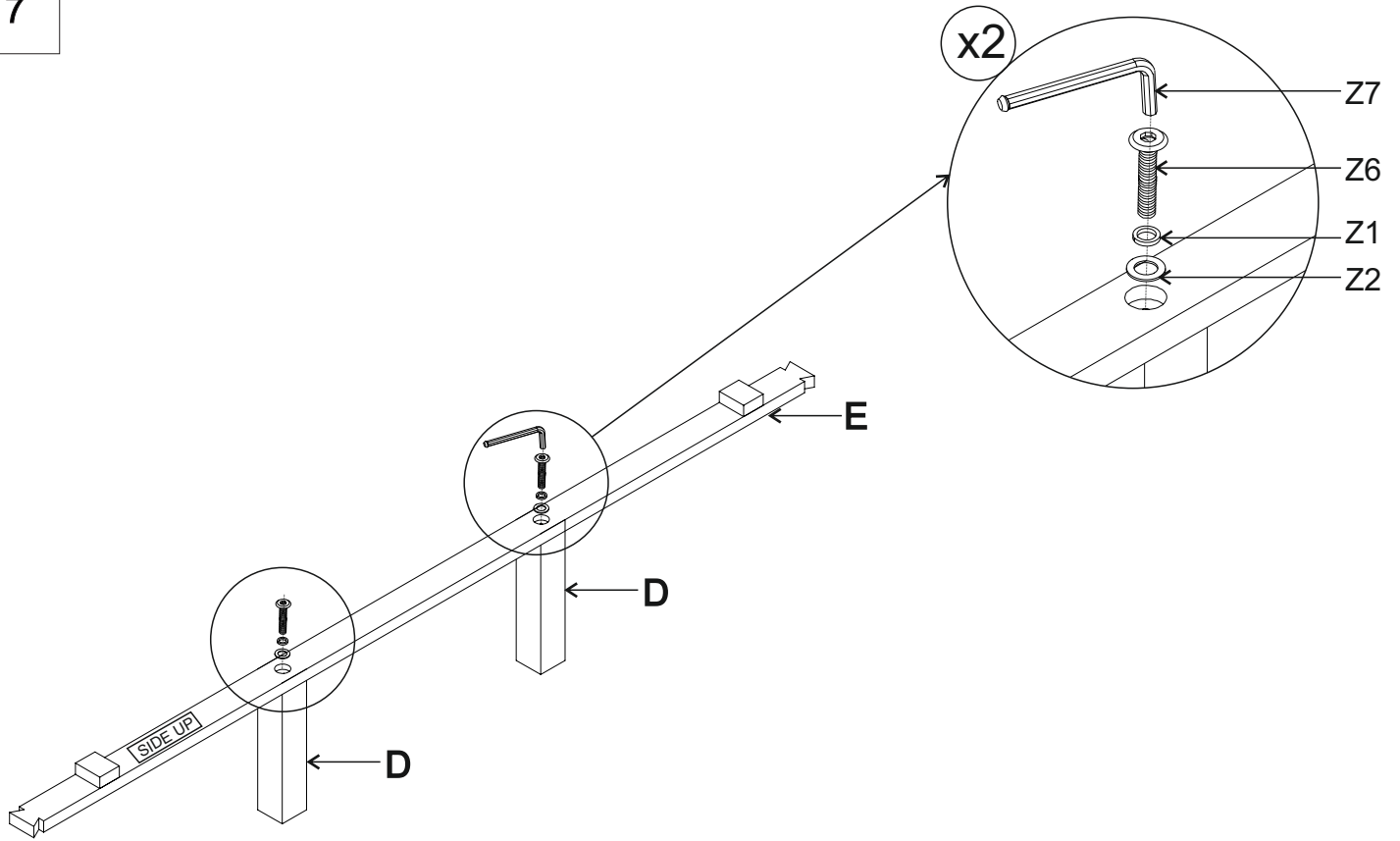


6

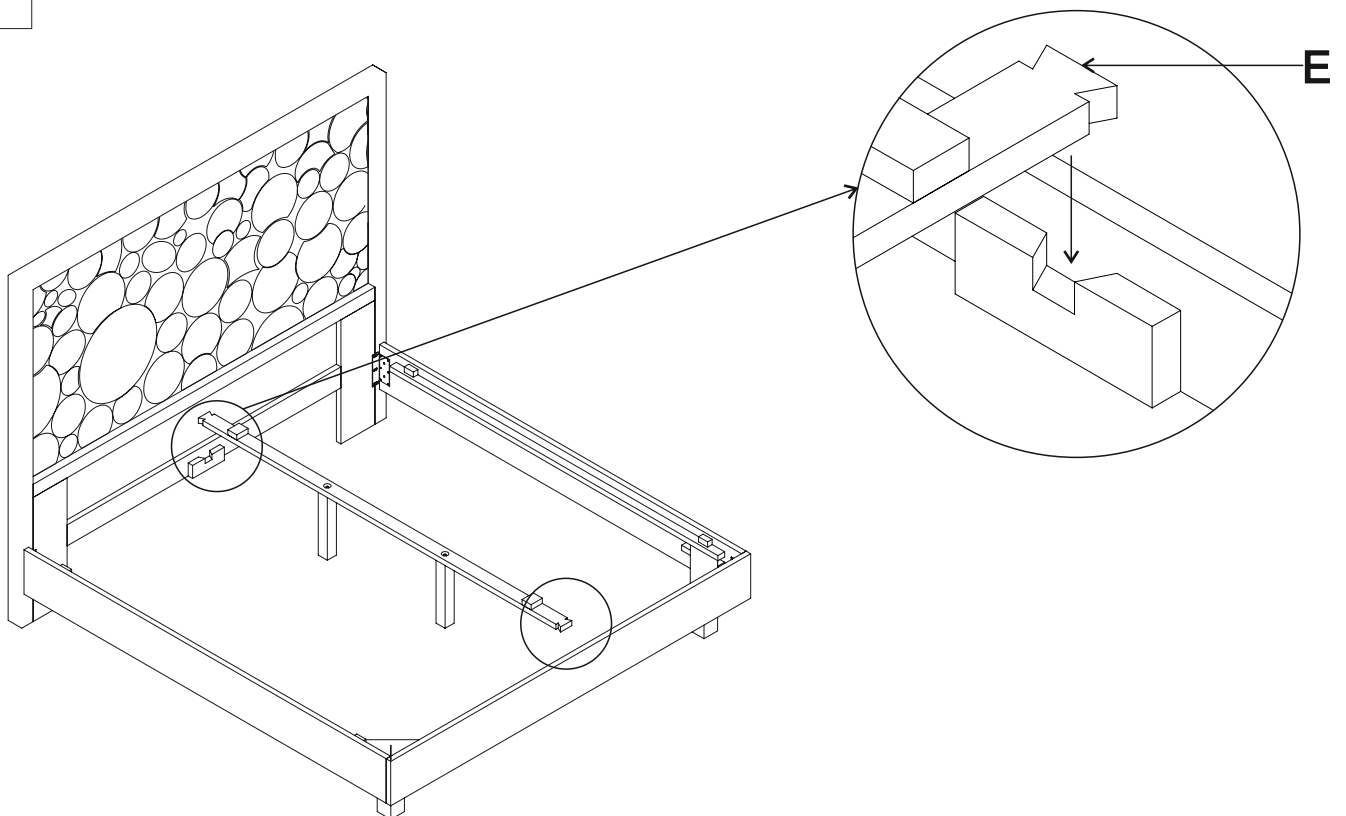


ASSEMBLY INSTRUCTIONS
SKU # 54010231/54010232/54010234/54010242

7

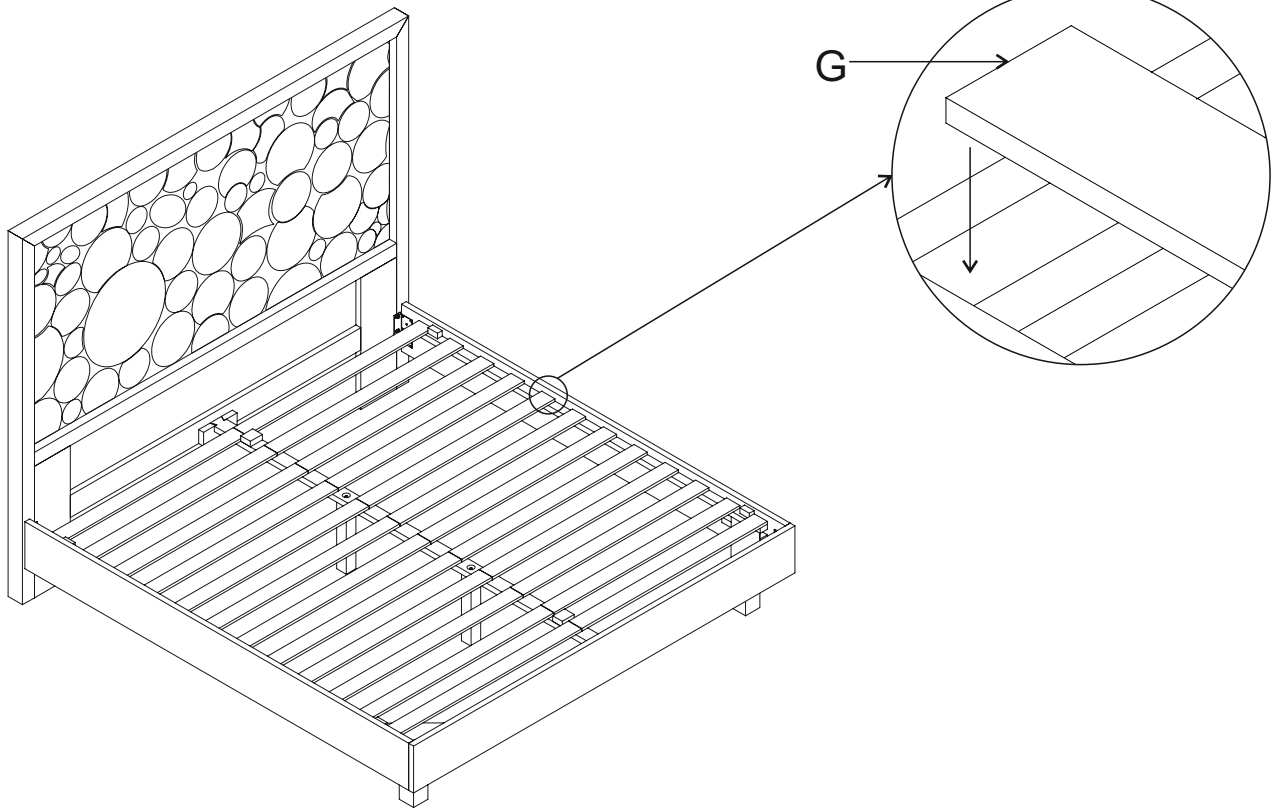


8



ASSEMBLY INSTRUCTIONS
SKU # 54010231/54010232/54010234/54010242

9



10

