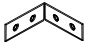




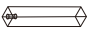











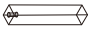




Hardware

Tools Required

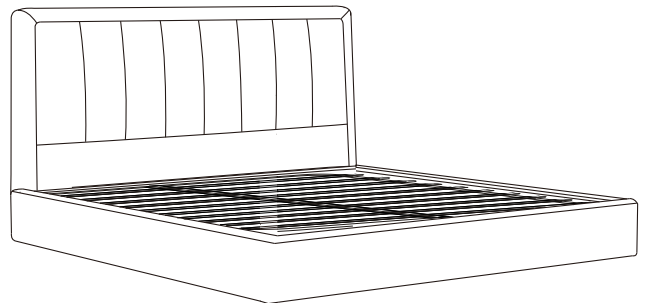
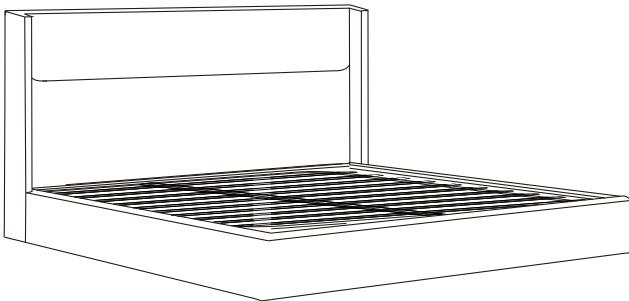
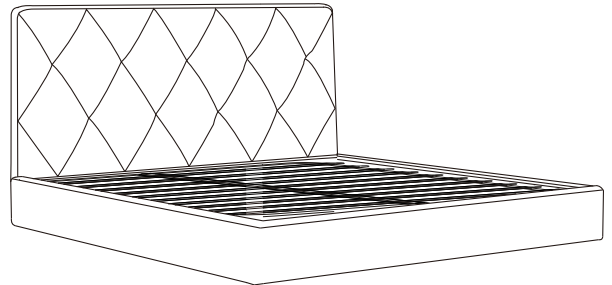
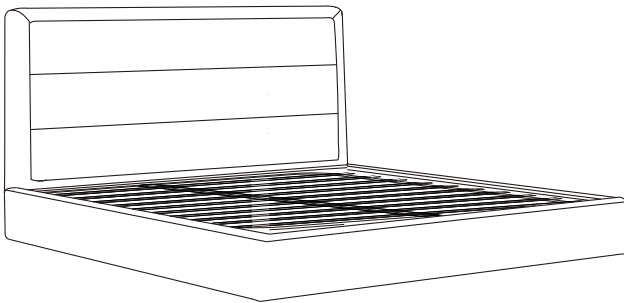
Power tools NOT recommended

NO.	Quantity	K Accessory
A	4	
B	4	
C	32	
F	12	
G	1	
H	3	
I	6	
L	6	
M	4	
X	1	

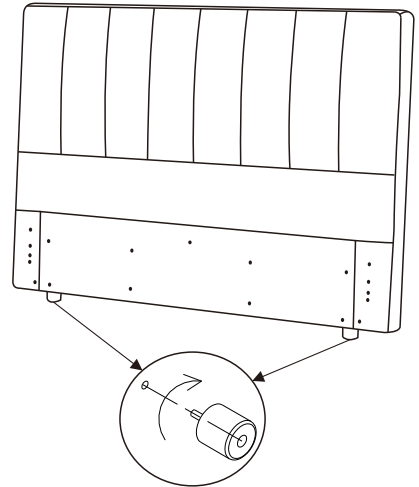
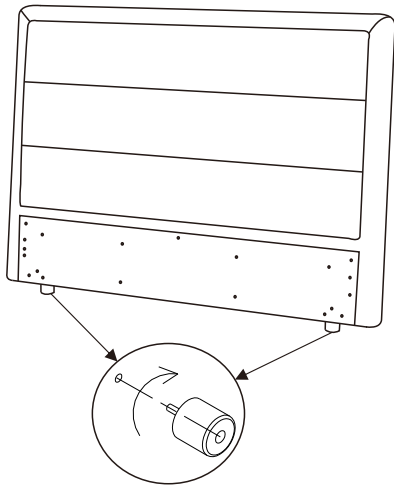
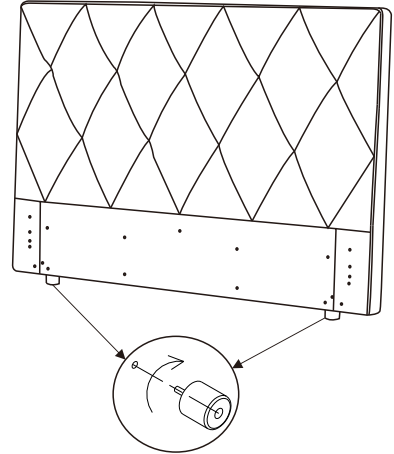
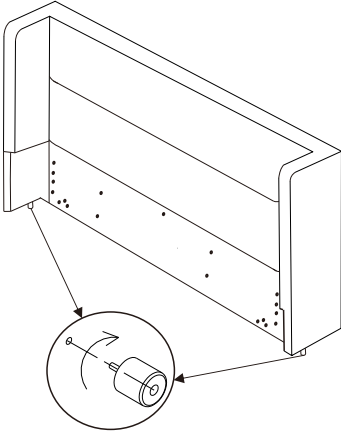
King Bed

NO.	Quantity	K Accessory
A	4	
B	4	
C	32	
F	12	
G	1	
H	3	
I	6	
L	6	
M	4	
X	1	

Queen Bed



- 1 Install plastic foot G to headboard, siderails



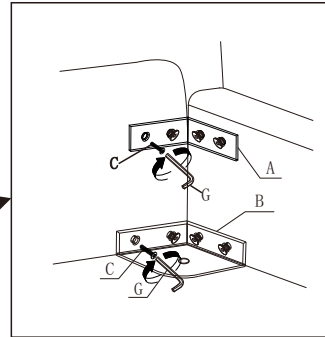
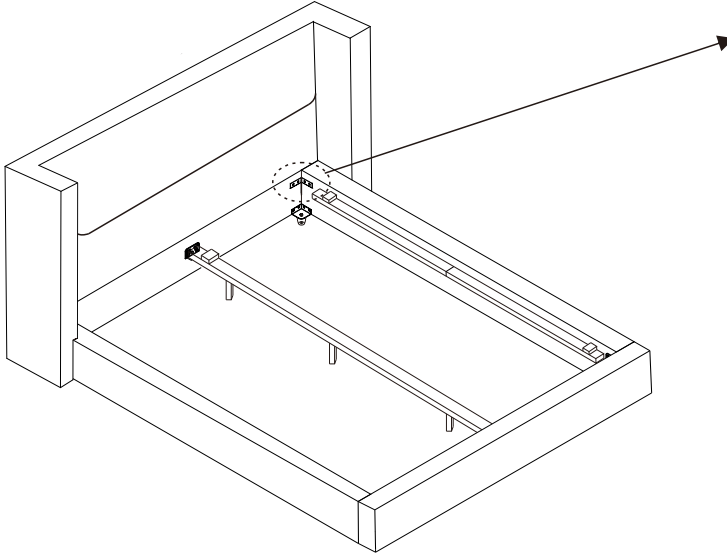
Sofa:

Hardware

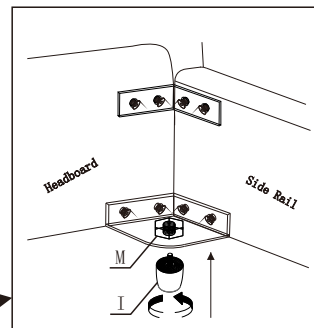
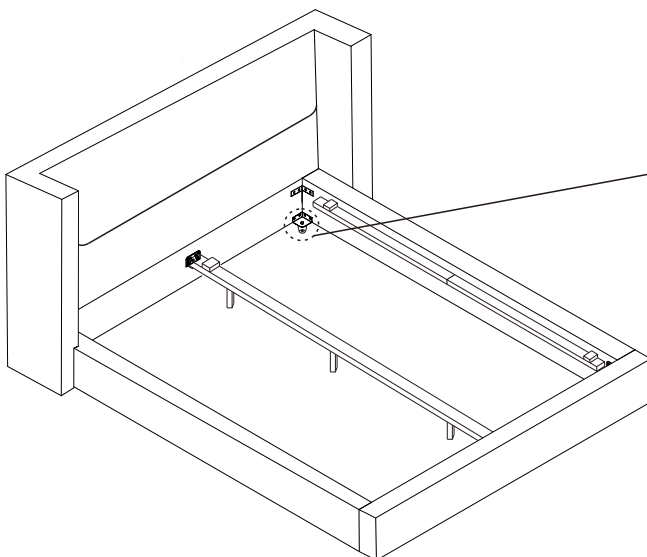
Tools Required

Power tools NOT recommended

- 2 Instal Metal support A with screw D to fix headboard, siderails and footboard.



- 3 Instal Metal support B with screw D to fix headboard, siderails and footboard.

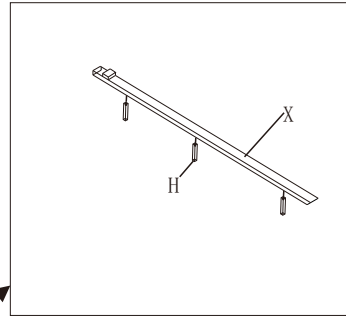
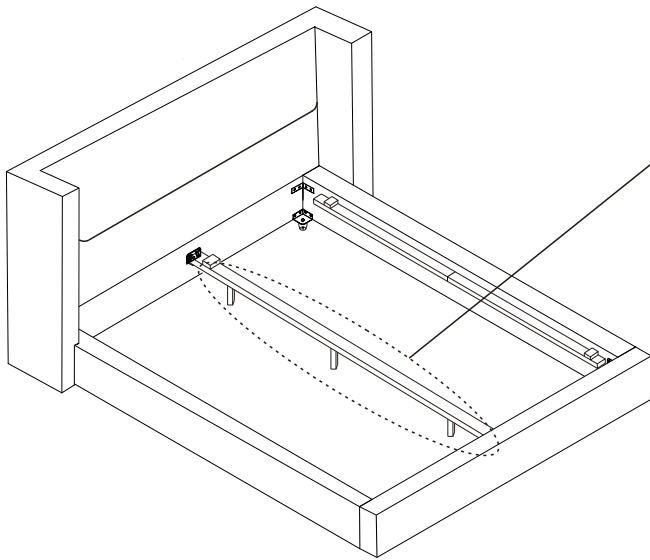


Hardware

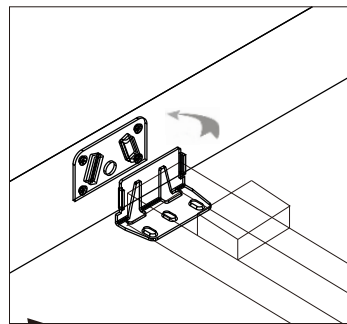
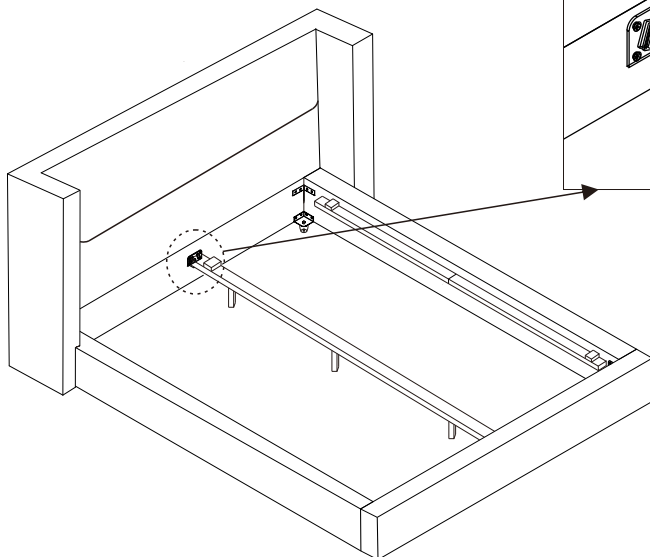
Tools Required

Power tools NOT recommended

- 4 Fix metal support C with screw E and stick Gasket E.



- 5 Install H legon slat and put the slat on the bed.



Sofa:

Hardware

Tools Required

Power tools NOT recommended

6

