

# **Please read first!**

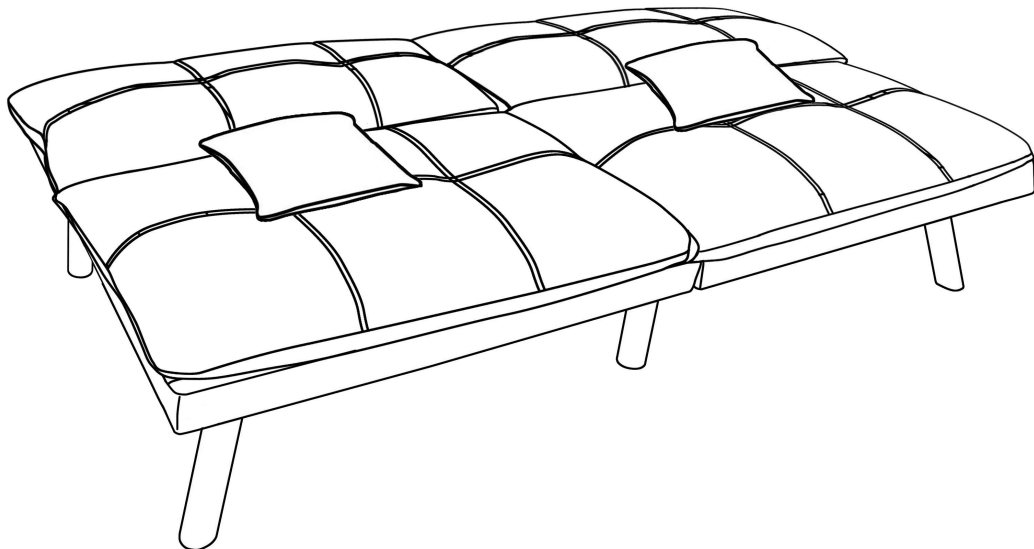
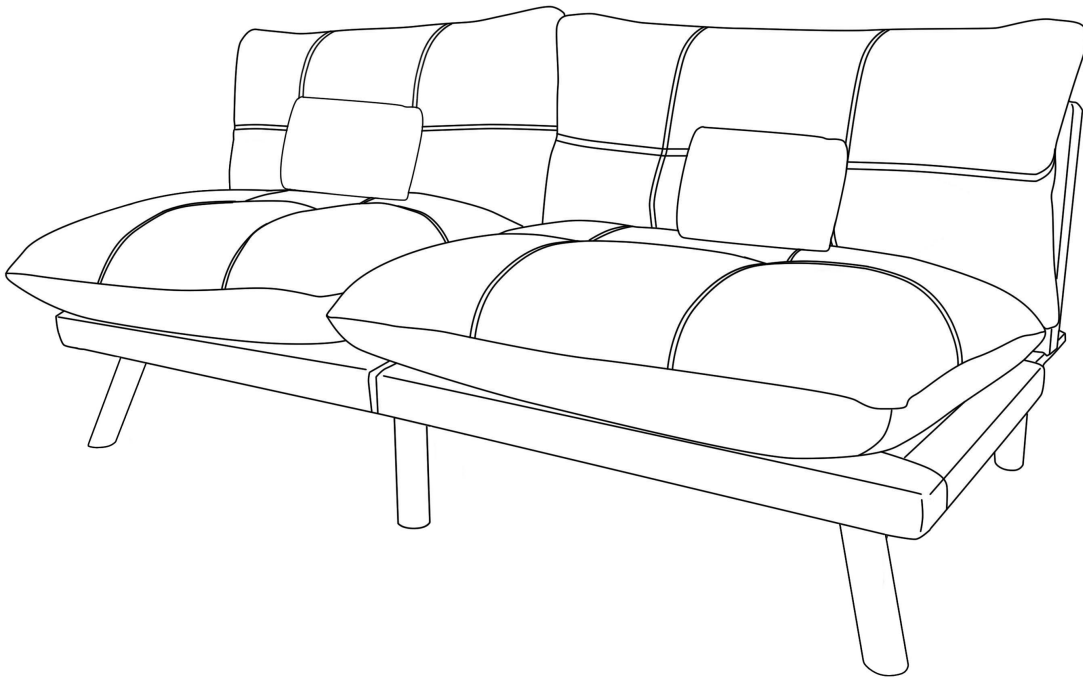
The cushions and throw pillows have been vacuum-sealed. Due to the extended compression time, they will need 2 to 3 days to fully air out and return to their normal state, which is a normal phenomenon.





**Be sure to knead and slap it vigorously to ensure the sponge inside is filled with air, which will help it regain its fluffiness!**

For the accessory kit and chair legs, find the "legal label" position, and you will find a zipper. Open the zipper and you'll see it.

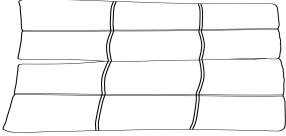
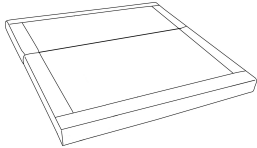
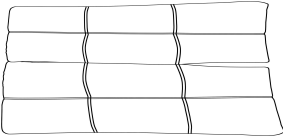
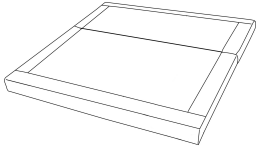
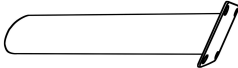
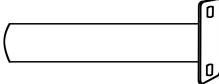
**If you need other help, please contact us.**

# ASSEMBLY INSTRUCTIONS

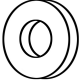





-  Read instructions cover to cover
-  Have two adults on hand for assembly
-  Do NOT assemble on flooring or carpet. Assemble on a clean non-marring surface (ex: packing foam)
-  Save all packaging until assembly is complete

## PARTS LIST

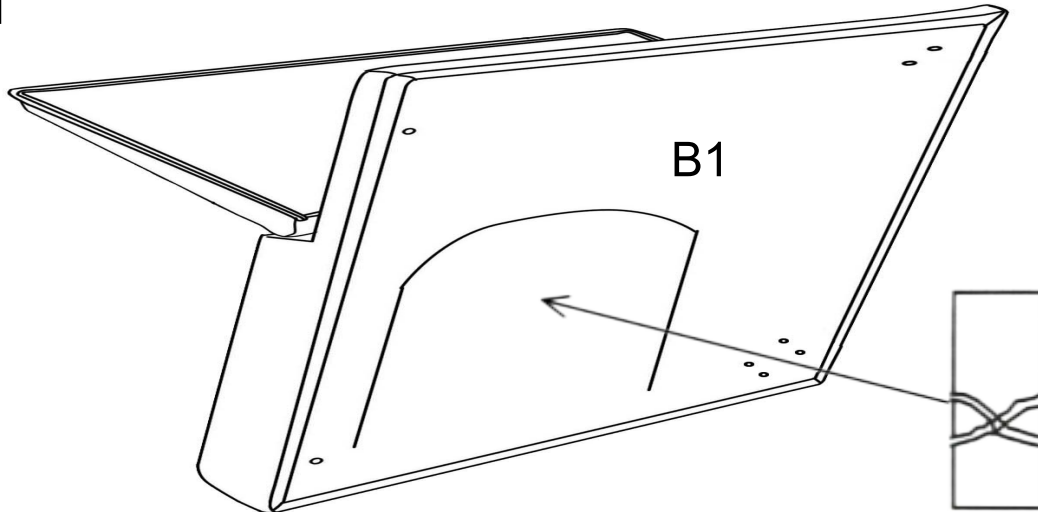
| LABEL | PICTURE   | DESCRIPTION  | QTY |
|-------|---|--|-----|
| A1    |    | Left Seat Cushion (wide) with Left Back Cushion (narrow)   | 1   |
| B1    |    | Left Sofa bed Frame  | 1   |
| A2    |    | Right Seat Cushion (wide) with Right Back Cushion (narrow) | 1   |
| B2    |   | Right Sofa bed Frame                                       | 1   |
| C     |  | Front Leg  | 2   |
| D     |  | Back/Mid Leg   | 4   |

## HARDWARE

| LABEL | PICTURE   | DESCRIPTION   | QTY |
|-------|---|---------------|-----|
| E     |  | Metal Gasket  | 16  |
| F     |  | Spring Washer | 16  |
| G     |  | Screw         | 16  |
| H     |  | Wrench        | 1   |

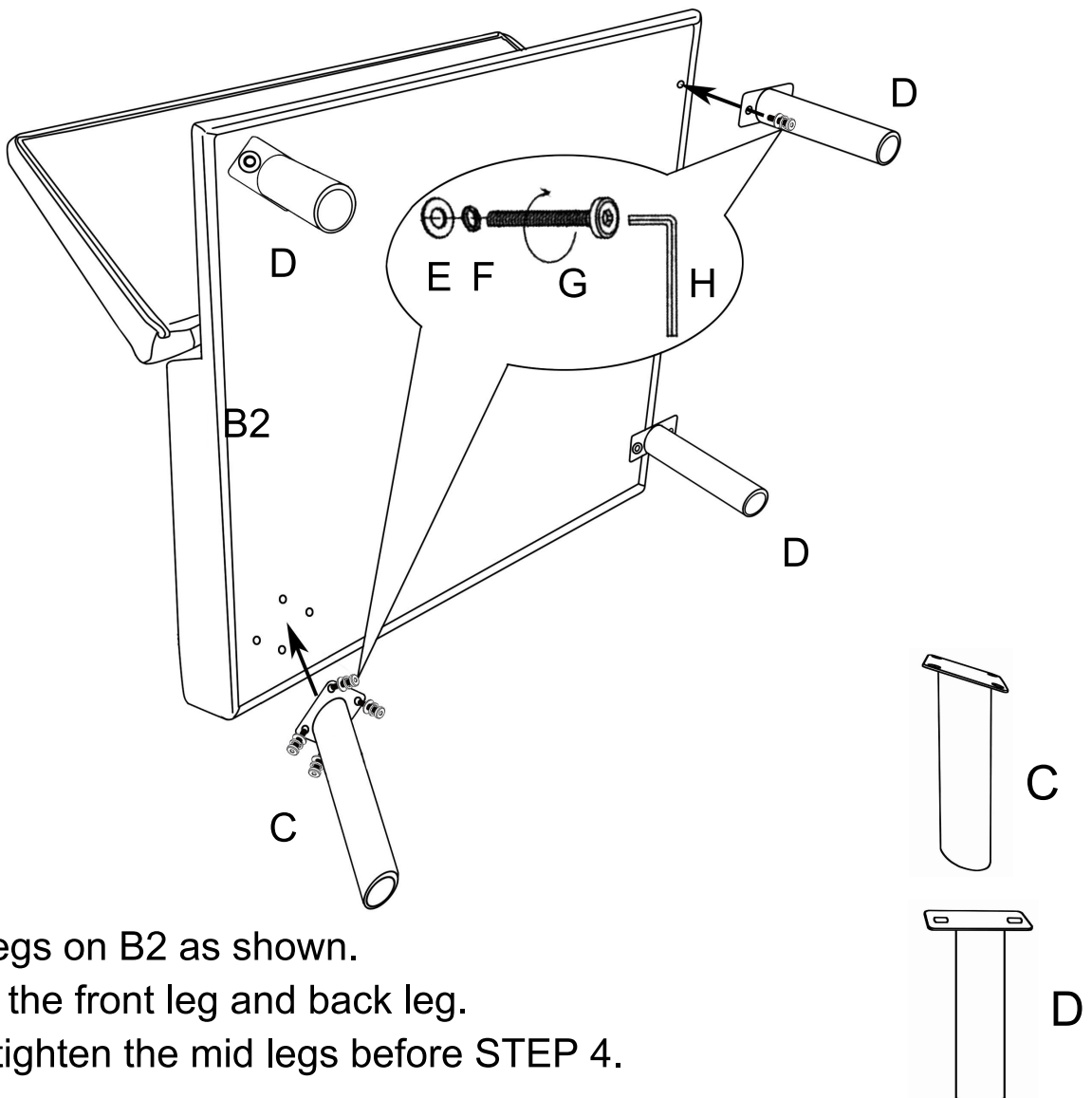
## ASSEMBLY STEPS

### STEP 1



- › Find the hardware pack and Legs in the pocket at the bottom of seat(B1 or B2), as shown.
- › Open pocket to take the hardware pack and six legs out.

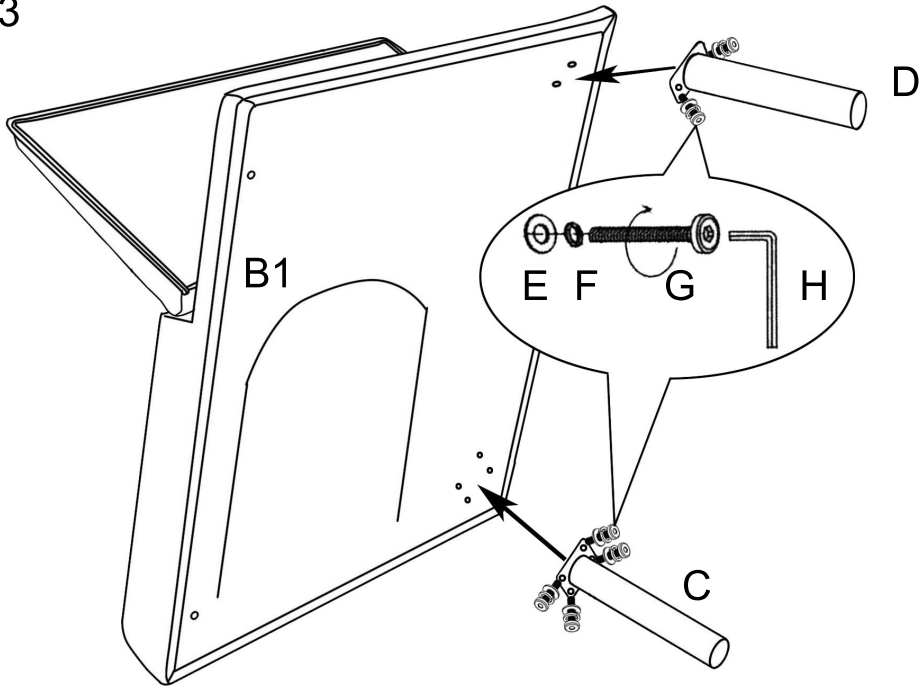
### STEP 2



- › Install legs on B2 as shown.
- › Tighten the front leg and back leg.
- › Do not tighten the mid legs before STEP 4.

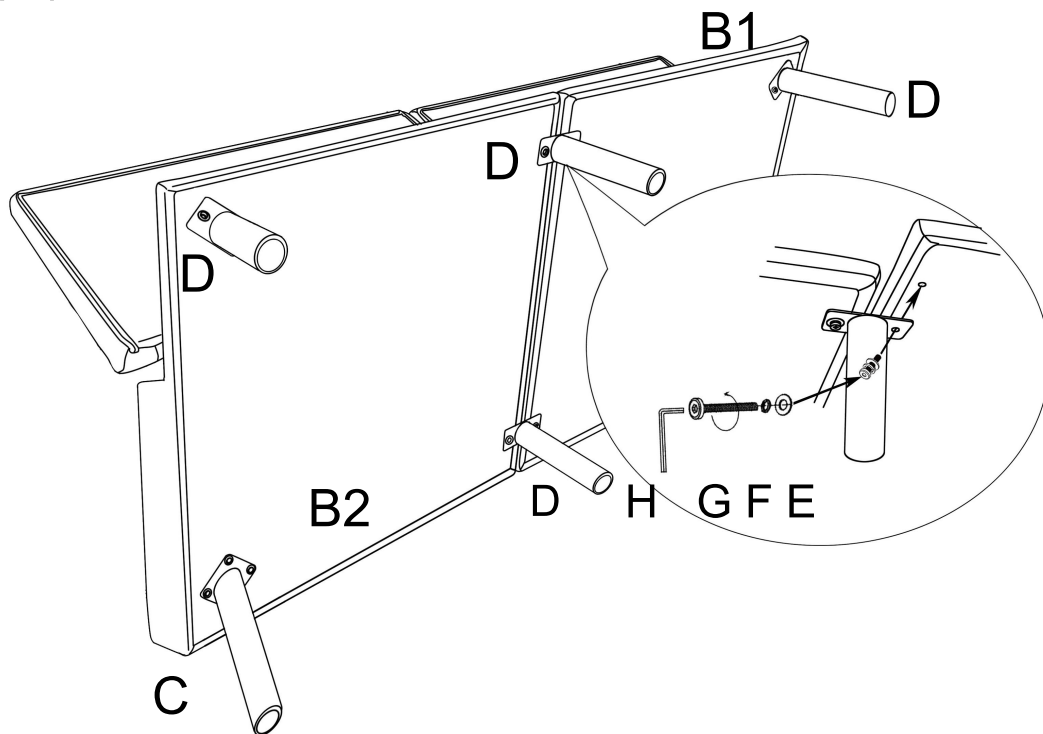
## ASSEMBLY STEPS

### STEP 3



› Install legs and tighten it on B1 as shown.

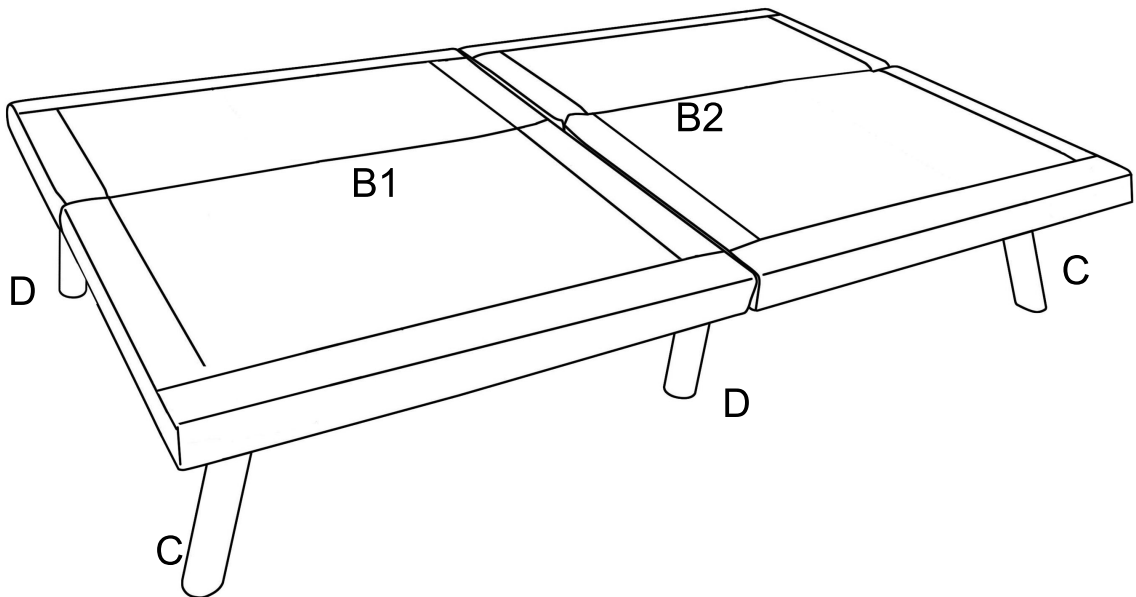
### STEP 4



- › Connect B1 and B2 by mid legs.
- › Install the screw and tighten the mid legs

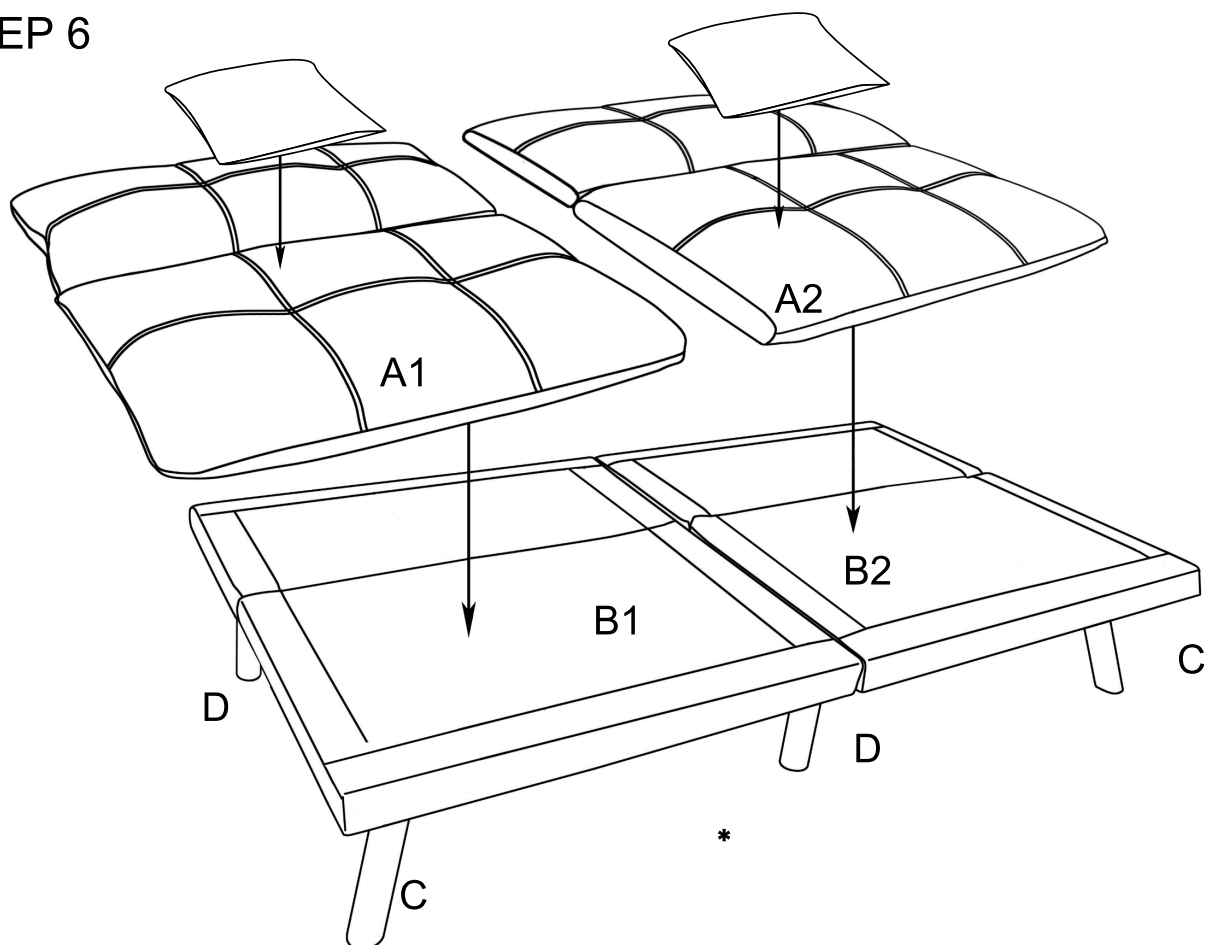
## ASSEMBLY STEPS

### STEP 5



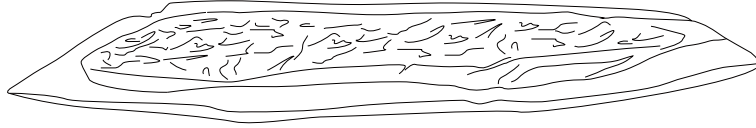
› Place the sofa bed as shown

### STEP 6



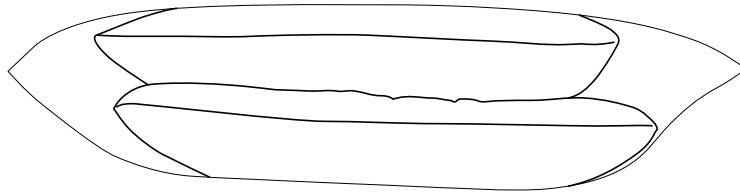
› Remove fabric strips on the back of A1 and A2 cushions.› Paste A1 and A2 on B1 and B2 as shown.

## ASSEMBLY STEPS

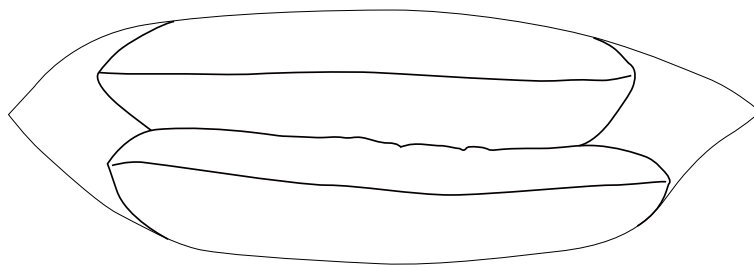


Open the box, you can see

**Be sure to knead and slap it vigorously to ensure the sponge inside is filled with air, which will help it regain its fluffiness!**



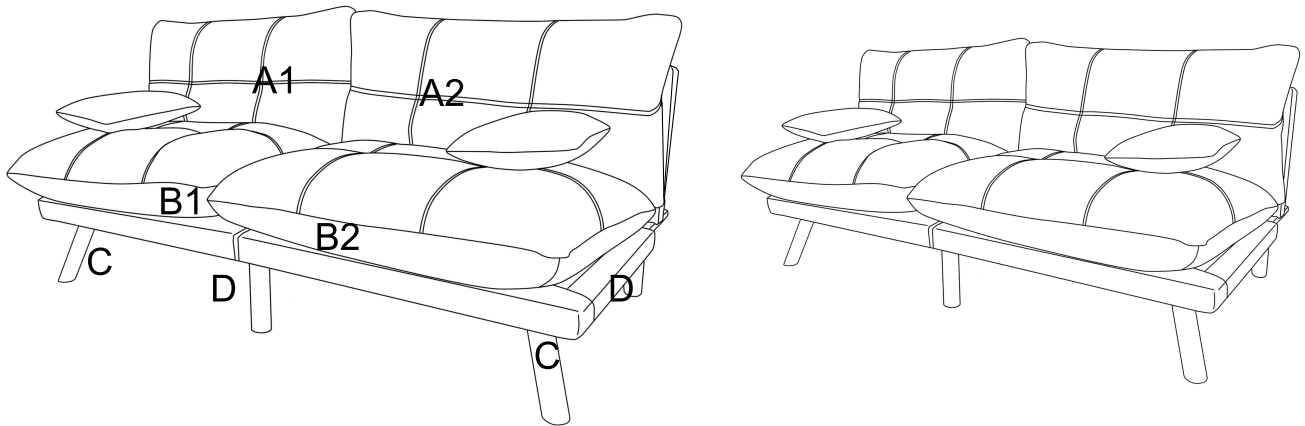
Open it and wait for 2 days



Open it and wait for 3 days

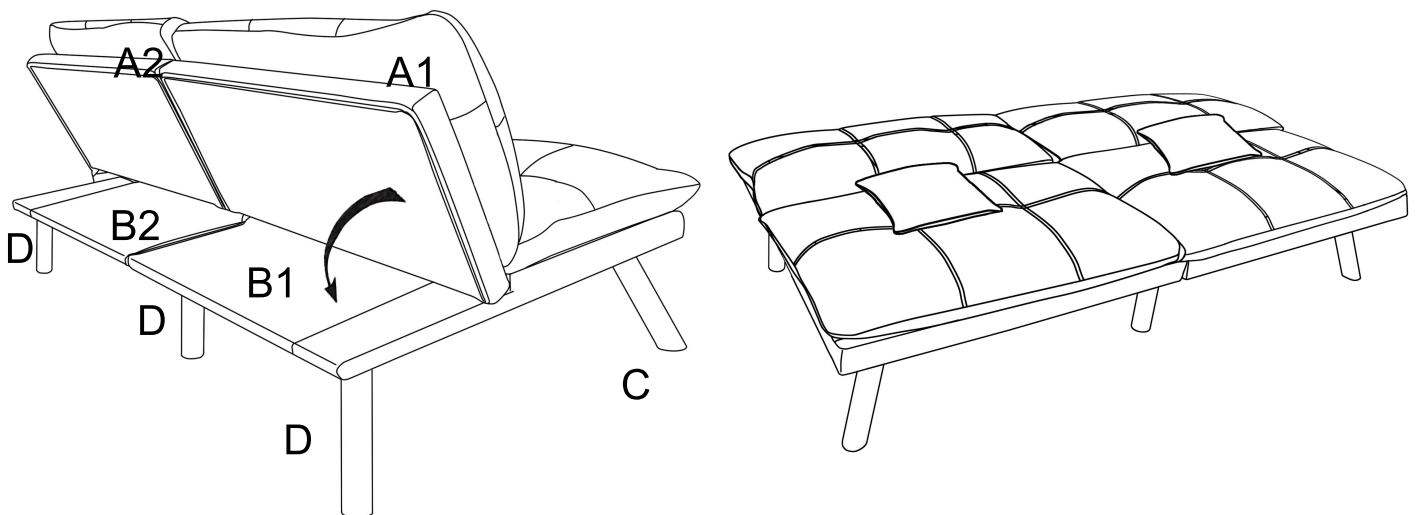
## ASSEMBLY STEPS

### STEP 7



- › Adjust backrest to the angle you want as shown, you can hear the sound of lock at each angle.  
Backrest: 180°/150°/110°

### STEP 8



- › Push inside to unlock.
- › Push as shown to flat the arm and backrest

#### Notice:

Due to the vacuum packaging treatment of the product, please wait 2-3 days after installation, it will naturally become fluffy.