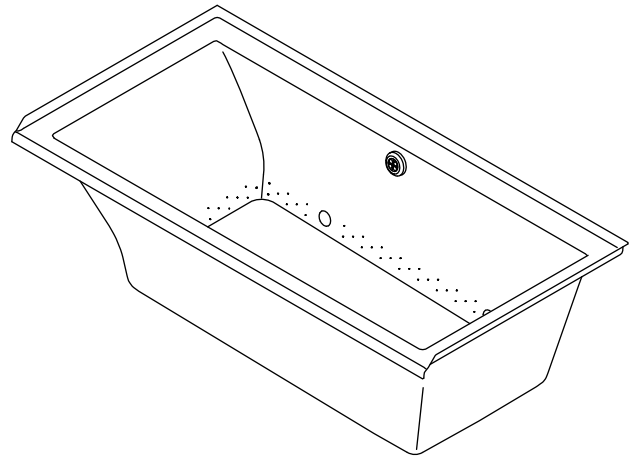


Features

- Acrylic
- Bask™ heated lumbar support with three temperature settings
- Slotted overflow for maximum bathing depth
- 122 BubbleMassage™ airjets
- Blower motor with 300 W heater and electronic user control
- Zones of Control™ concentrates massage at back, midsection, or feet
- Molded lumbar support for comfort
- Available with chromatherapy [-GCW]
- 3-wall alcove with integral tile flange
- Left or right drain
- 60" (1524 mm) x 30" (762 mm) x 20-1/4" (514 mm)

5' BUBBLEMESSAGE™ BATH WITH BASK™ K-1167-GLW ALSO K-1167-GRW, K-1167-GCRLW, K-1167-GCRRW



Codes/Standards Applicable

Specified model meets or exceeds the following:

- CSA B45.5/IAPMO Z124
- ASTM E162
- ASTM E662
- UL 1795
- ASME A112.19.7/CSA B45.10

Colors/Finishes

- 0: White
- CP: Polished Chrome
- PB: Vibrant® Polished Brass
- NA: None applicable
- Other: Refer to Price Book for additional colors/finishes

Specified Model

Model	Description	Colors/Finishes	
K-1167-GLW	5' BubbleMassage bath with Bask heated surface – less chromatherapy, left drain	<input type="checkbox"/> 0	<input type="checkbox"/> Other____
K-1167-GRW	5' BubbleMassage bath with Bask heated surface – less chromatherapy, right drain	<input type="checkbox"/> 0	<input type="checkbox"/> Other____
K-1167-GCRLW	5' BubbleMassage bath with Bask heated surface – with chromatherapy, left drain	<input type="checkbox"/> 0	<input type="checkbox"/> Other____
K-1167-GCRRW	5' BubbleMassage bath with Bask heated surface – with chromatherapy, right drain (shown)	<input type="checkbox"/> 0	<input type="checkbox"/> Other____

Required Accessories				
K-7271	Clearflo slotted overflow brass bath drain OR	<input type="checkbox"/> CP	<input type="checkbox"/> PB	<input type="checkbox"/> Other____
K-7272	Clearflo slotted overflow bath drain – PVC pipe	<input type="checkbox"/> CP	<input type="checkbox"/> PB	<input type="checkbox"/> Other____

Product Specification

The acrylic BubbleMassage bath shall be 60" (1524 mm) in length, 30" (762 mm) in width, and 20-1/4" (514 mm) in height. Bath shall have a blower motor with 300 W heater and electronic user control, and 122 BubbleMassage airjets. Bath shall feature Bask heated lumbar support with three temperature settings. Bath shall feature Zones of Control, which concentrates massage at back, midsection, or feet. Bath shall have left or right drain. Bath shall have slotted overflow for maximum bathing depth. Bath shall have molded lumbar support for comfort. Bath shall be for 3-wall alcove installation and includes integral tile flange. Bath shall be available with chromatherapy [-GCW]. Bath shall be Kohler Model K-1167-_____-_____.

UNDERScore®

Optional Accessories

K-1491	Pillow	<input type="checkbox"/> 0	<input type="checkbox"/> Other_____
K-1601	Footstop	<input type="checkbox"/> 0	<input type="checkbox"/> Other_____
K-1705	Remote control		<input type="checkbox"/> NA
K-9498	3" (76 mm) whirlpool keypad trim	<input type="checkbox"/> CP	<input type="checkbox"/> PB <input type="checkbox"/> Other_____

Technical Information

Fixture: Approx. measurements for comparison only.	
Bathing well:	
Basin area, bottom	42-7/16" (1078 mm) x 20" (508 mm)
Basin area, top	54-5/16" (1380 mm) x 24-1/4" (616 mm)
Weight	106 lbs (48.1 kg)
To overflow:	
Water depth	15-1/8" (384 mm)
Capacity	59.8 gal (226 L)

	V	Hz	A
Blower motor/Heated surface	220-240	50/60	5

Required Electrical Service

Dedicated circuit required, protected with Class A Ground-Fault Circuit-Interrupter (GFCI) or Residual Current Device (RCD):

Blower motor/Heated surface	220-240 V, 15 A, 50/60 Hz
-----------------------------	---------------------------

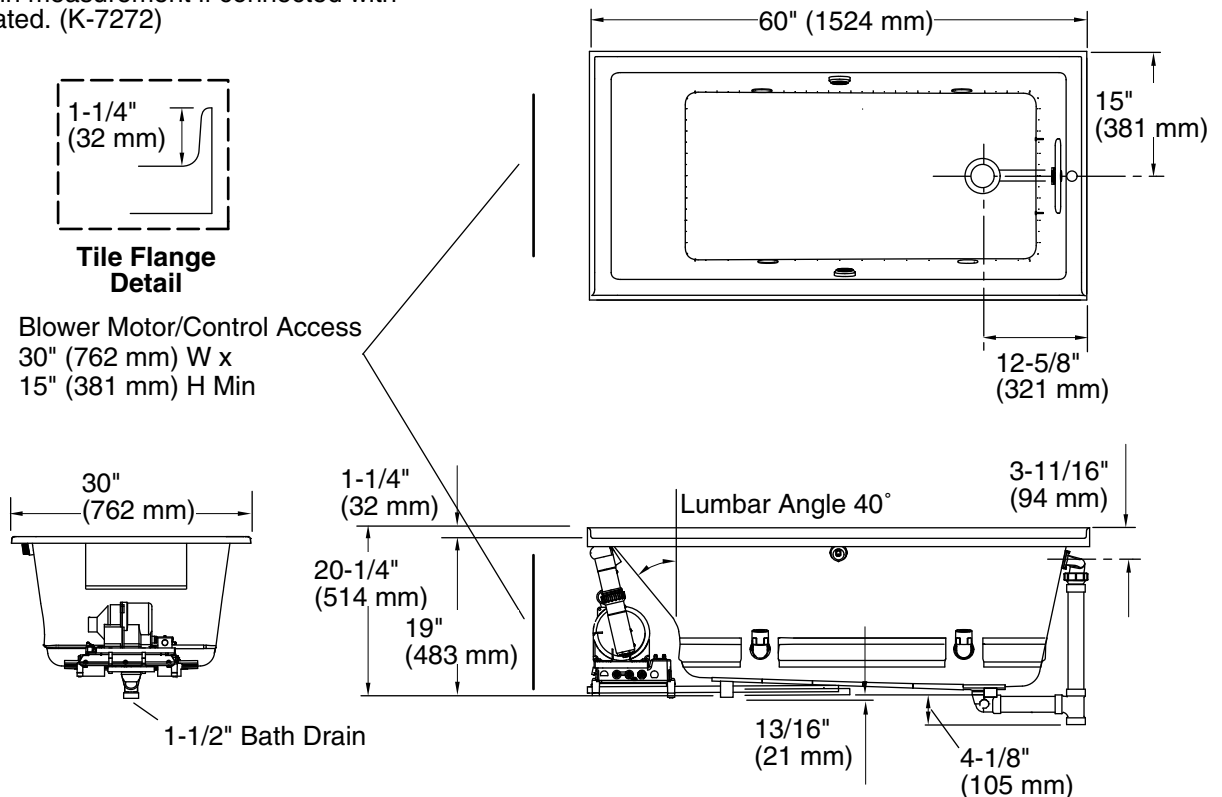
Installation Notes

Install this product according to the installation guide.

This unit is not intended for flush-mount apron installation.

Floor support under bath must provide for a minimum of 44 lbs/square foot (212 kg/square meter) loading.

No change in measurement if connected with drain illustrated. (K-7272)



Product Diagram