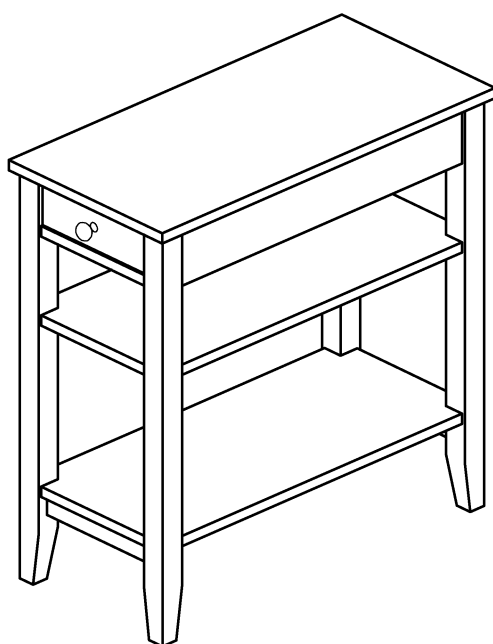


3 TIER END TABLE



ASSEMBLY INSTRUCTION

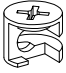
We have designed our furniture with you, the customer in mind. Our clear, easy to follow step by step instructions will guide you through the project from start to finish. Feel confident that this will be a fun and rewarding project. The final product will be a quality piece of furniture that will go together smoothly and give years of enjoyment.



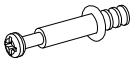
**Please do not return to the store
Broken or missing Hardware?
Need help with Assembly?**

Hardware List


Part List

A 

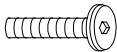
Camlock (12 pcs)

B 


Cambolt (12 pcs)

C 

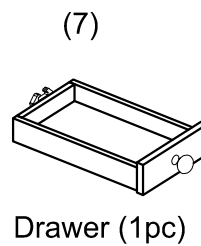
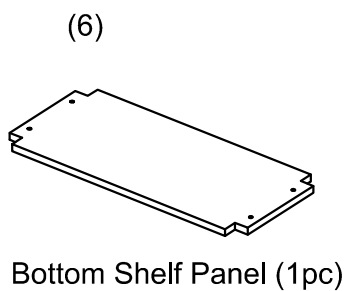
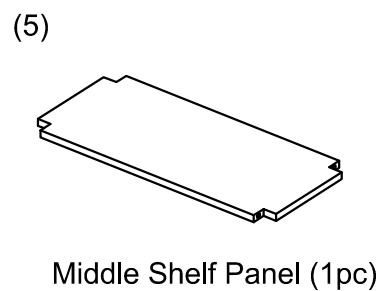
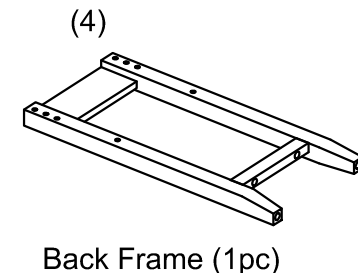
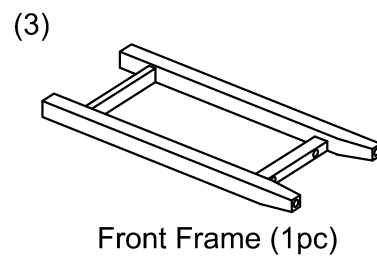
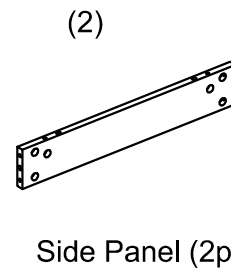
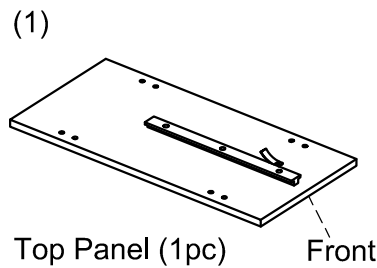
Wood Dowel (12 pcs)

D 

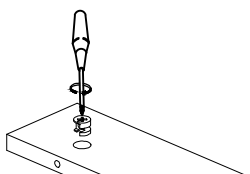
Allen Bolt (4 pcs)

E 

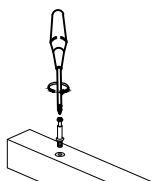
Allen wrench (1 pc)



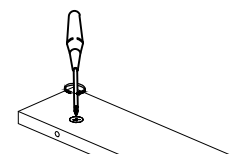
Assembling the unit with camlocks.



Insert camlock, arrow must face bolt hole



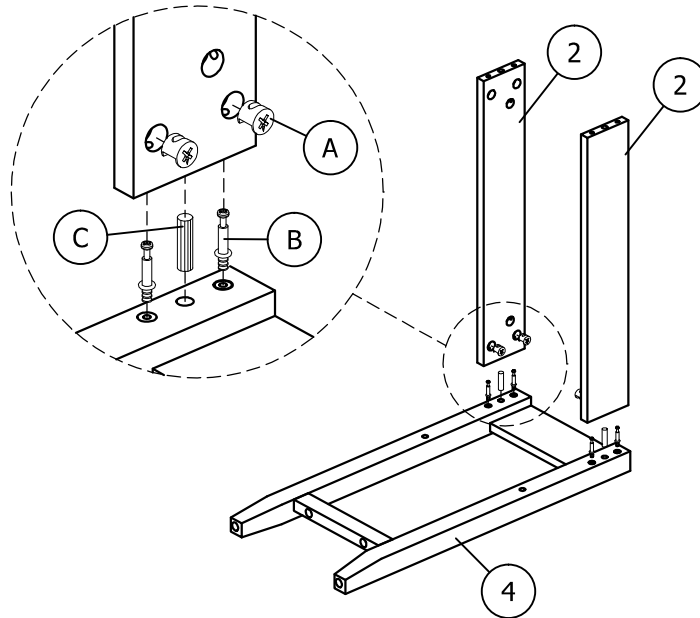
Gently screw cambolt into the threaded anchor



Gently screw the camlock Clockwise into locked position. Do not over tighten

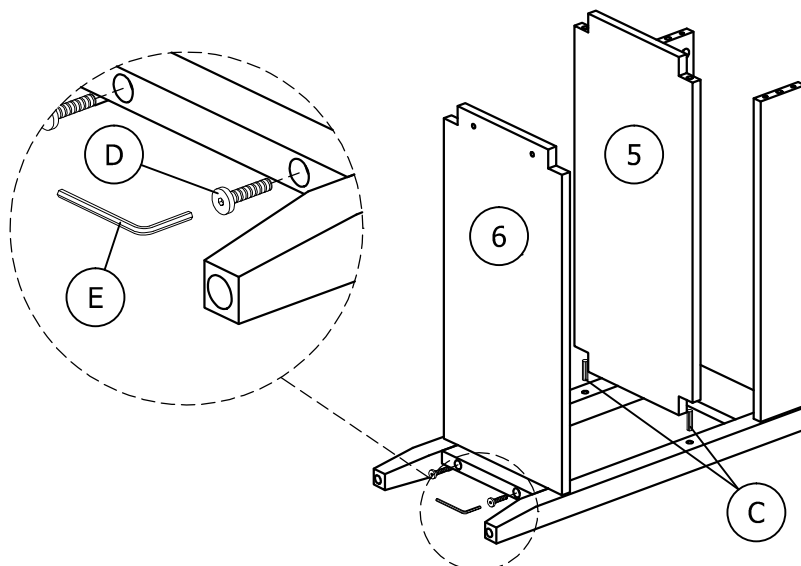
Step 1

1. Screw Cambolts (B) and Insert Wood Dowels (C) into Back Frame (4).
2. Insert Camlocks (A) into Side Panels (2)
- **Arrow on Camlock Faces toward Opening****
3. Connect Side Panels (2) to back Frame (4) by gently tightening Camlocks (A).



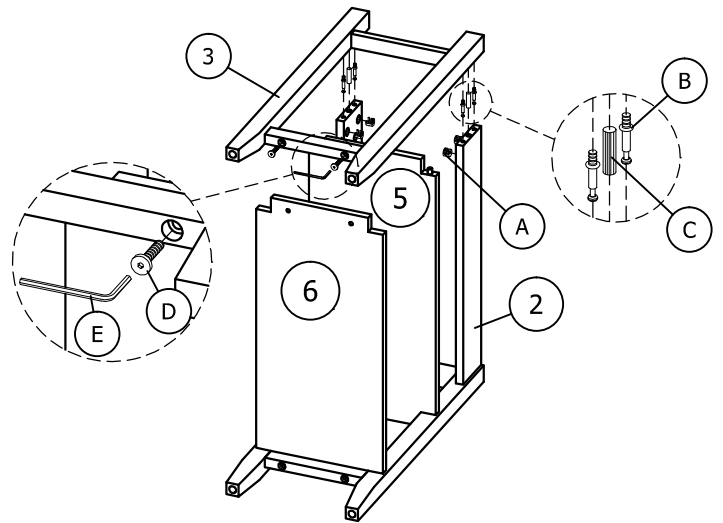
Step 2

1. Insert Wood Dowels (C) into Back Frame (4).
2. Attach Middle Shelf Panel (5) and Bottom Shelf Panel (6) to Back Frame (4)
Use care not to bend Wood Dowels.
3. Connect Bottom Shelf Panel (6) with Allen Bolts (D) and Allen wrench (E).



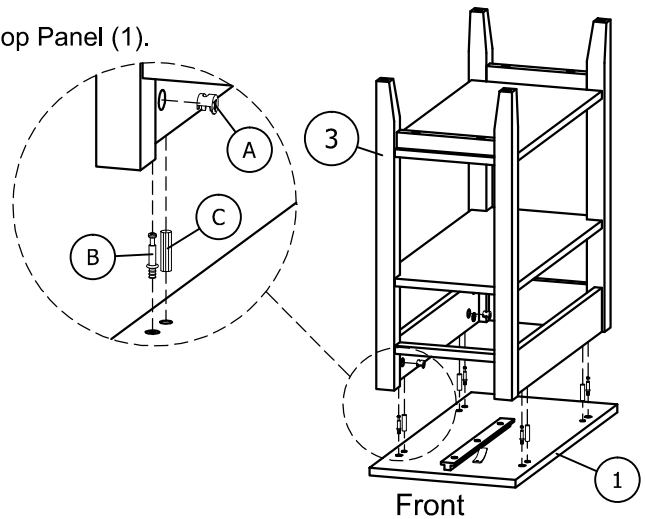
Step 3

1. Screw Cambolts (B) and Insert Wood Dowels (C) into Front Frame (3) as shown.
2. Attach Front Frame (3) to Side Panel (2), Middle Shelf Panel (5) and Bottom Shelf Panel (6) as shown
3. Using Allen wrench (E) and Allen Bolts (D) attach Bottom Shelf Panel (6) to Assembly as shown.
4. Gently tighten Camlocks (A) in Side Panels (2).



Step 4

1. Insert Wood Dowels (C) and screw Cambolts (B) into Top Panel (1).
2. Insert Camlocks (A) into Side panels (2)
3. Attach Top Panel (1) to Frame Assembly by gently tightening Camlocks (A)



Step 5

1. Insert Drawer (7) into unit making sure that drawer glide slides onto rail on underside of Top Panel (1)

