

# ASSEMBLY INSTRUCTION

ITEM NO.N715P426868

Dining Table



# ASSEMBLY INSTRUCTION

ITEM NO.N715P426868

Please read these instructions fully before starting assembly:

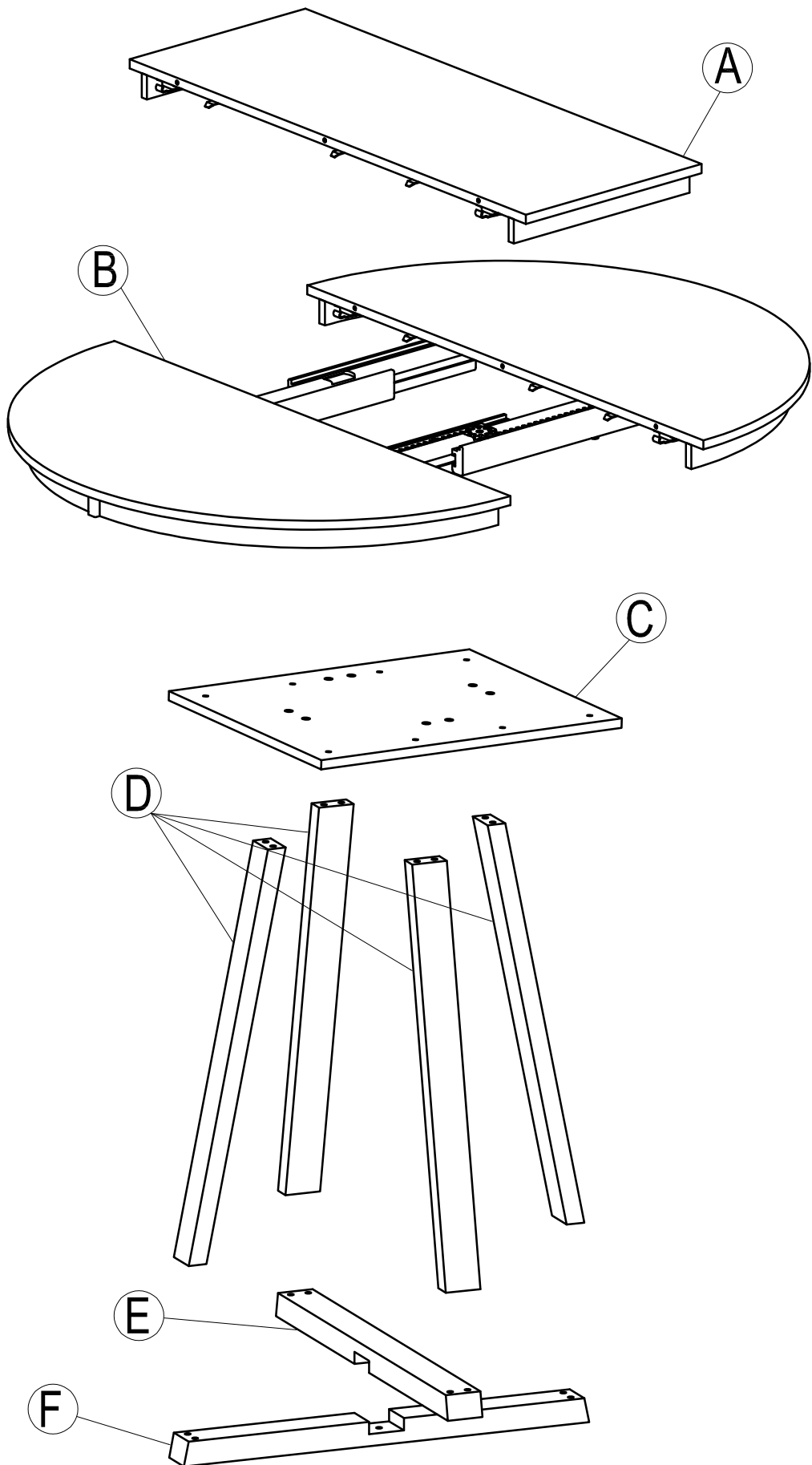
1. Place all wooden parts on a clean and smooth surface such as a rug or carpet to avoid scratching the parts.
2. Kindly follow the assembly instructions step by step.
3. Do not tighten all screws and bolts until the table is fully assembled.
4. Unscrew the protective plastique supports from the metal insert of the table legs before assembly.
5. Parts of the assembly will be easier with 2 people.

Care and maintenance:

Only clean using a damp cloth and mild detergent, do not use bleach or abrasive cleaners.

# ASSEMBLY INSTRUCTION

ITEM NO.N715P426868



# ASSEMBLY INSTRUCTION

ITEM NO.N715P426868

## Part List

(A)

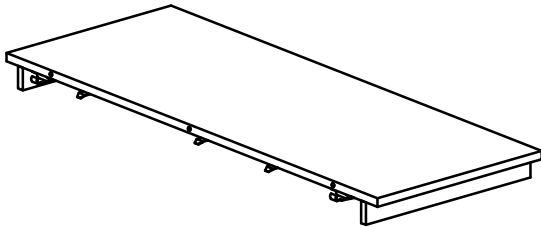


TABLE TOP BETWEEN (1pc)

(B)

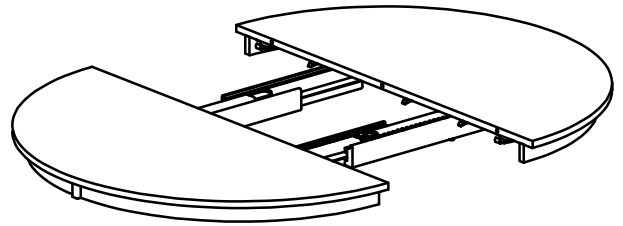
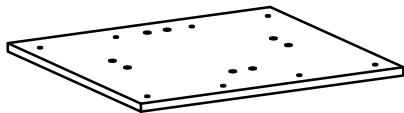


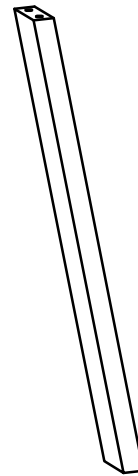
TABLE TOP SIDE (1pc)

(C)



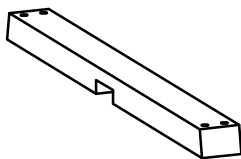
PANEL TOP LEG (1pc)

(D)



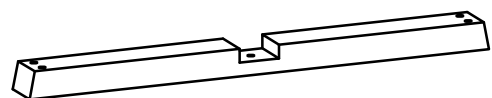
LEG (4pcs)

(E)



TOP STRETCHER (1pc)

(F)



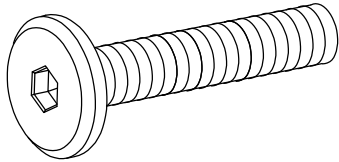
BOTTOM STRETCHER (1pc)

# ASSEMBLY INSTRUCTION

ITEM NO.N715P426868

## Hardware List

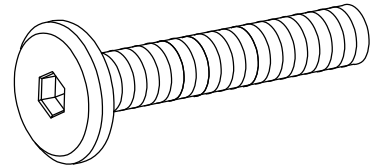
①



Ø 5/16" x 25 mm

BOLT (1 pc)

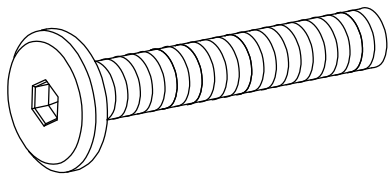
②



Ø 5/16" x 35 mm

BOLT (16 pcs)

③



Ø 5/16" x 45 mm

BOLT (8 pcs)

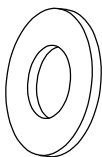
④



Ø5/16" x 13 mm

LOCK WASHER (25 pcs)

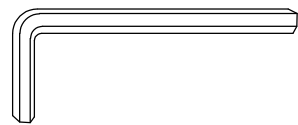
⑤



Ø5/16" x 19 x 2 mm

FLAT WASHER (8 pcs)

⑥



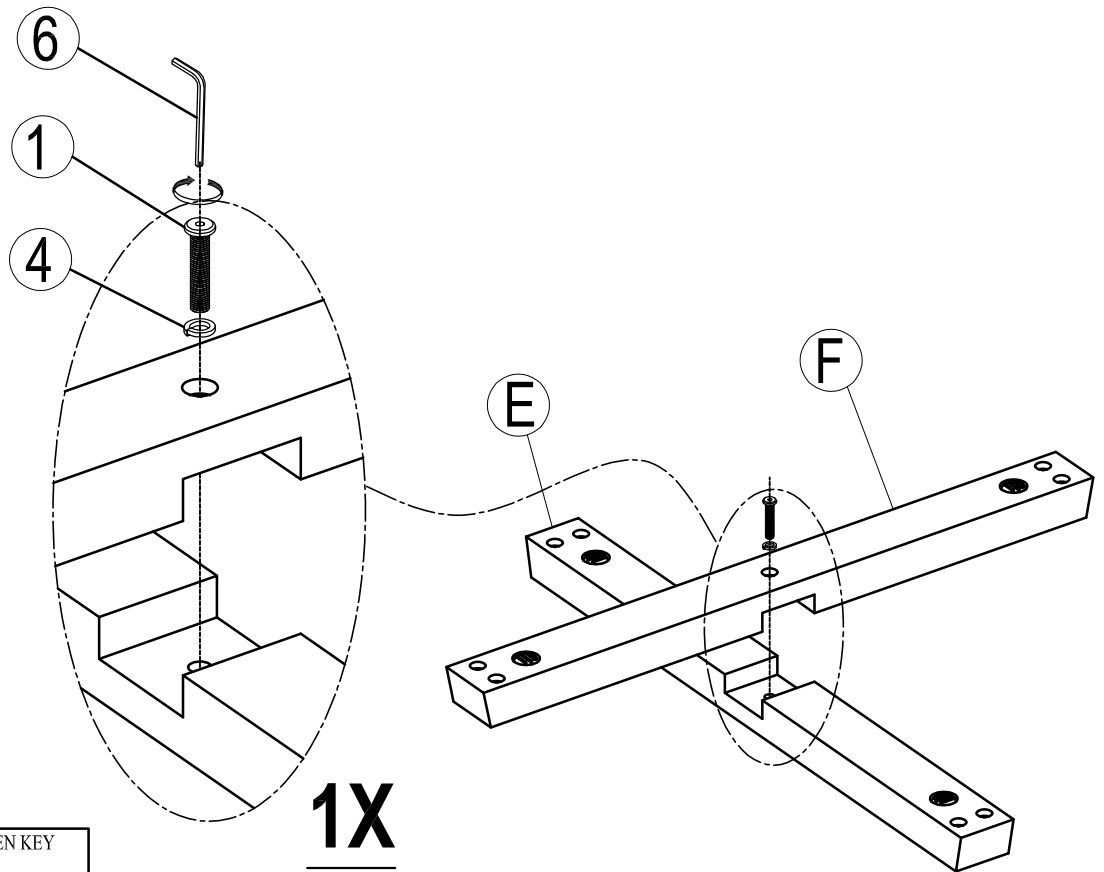
4 mm

ALLEN KEY (1 pc)




# ASSEMBLY INSTRUCTION

ITEM NO.N715P426868

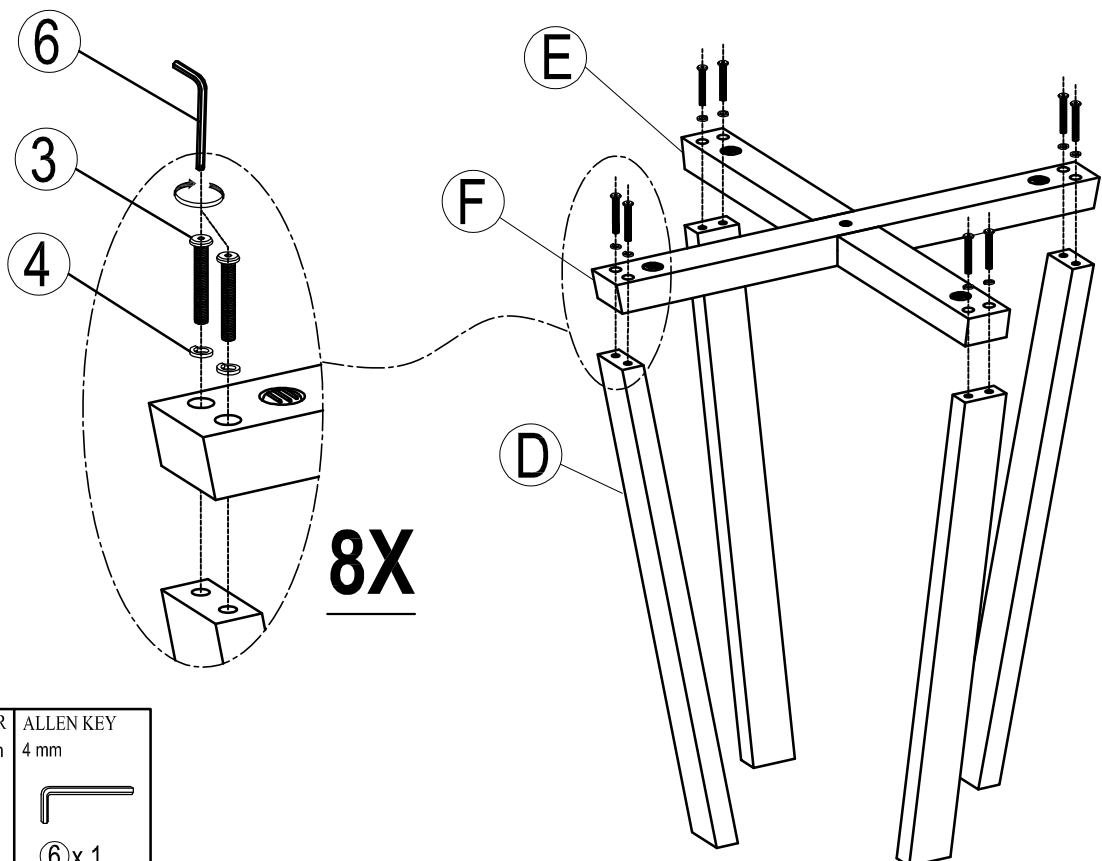
## STEP 1:



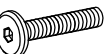


**1X**

BOLT	LOCK WASHER	ALLEN KEY
Ø 5/16" x 25 mm	Ø5/16" x 13 mm	4 mm
		
① x 1	④ x 1	⑥ x 1

## STEP 2:



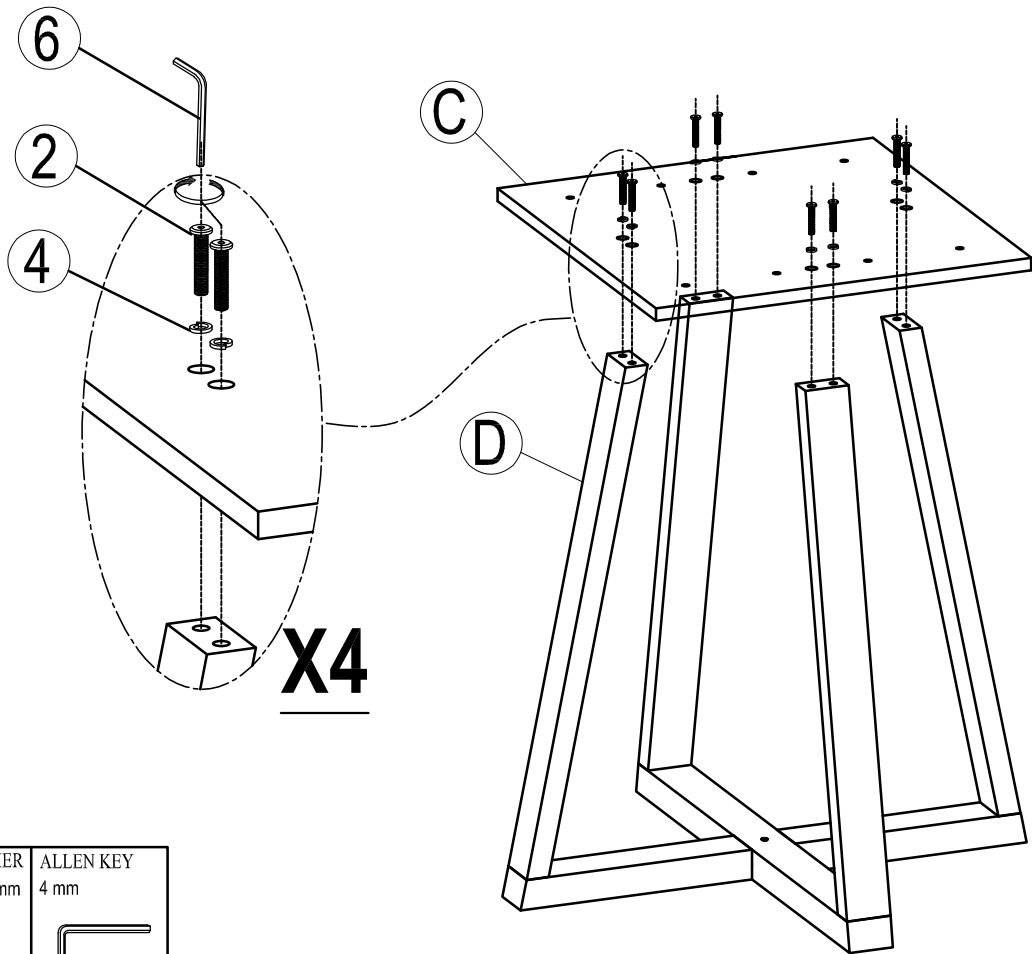
**8X**

BOLT	LOCK WASHER	ALLEN KEY
Ø 5/16" x 45 mm	Ø5/16" x 13 mm	4 mm
		
③ x 8	④ x 8	⑥ x 1

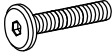

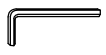
# ASSEMBLY INSTRUCTION

ITEM NO.N715P426868

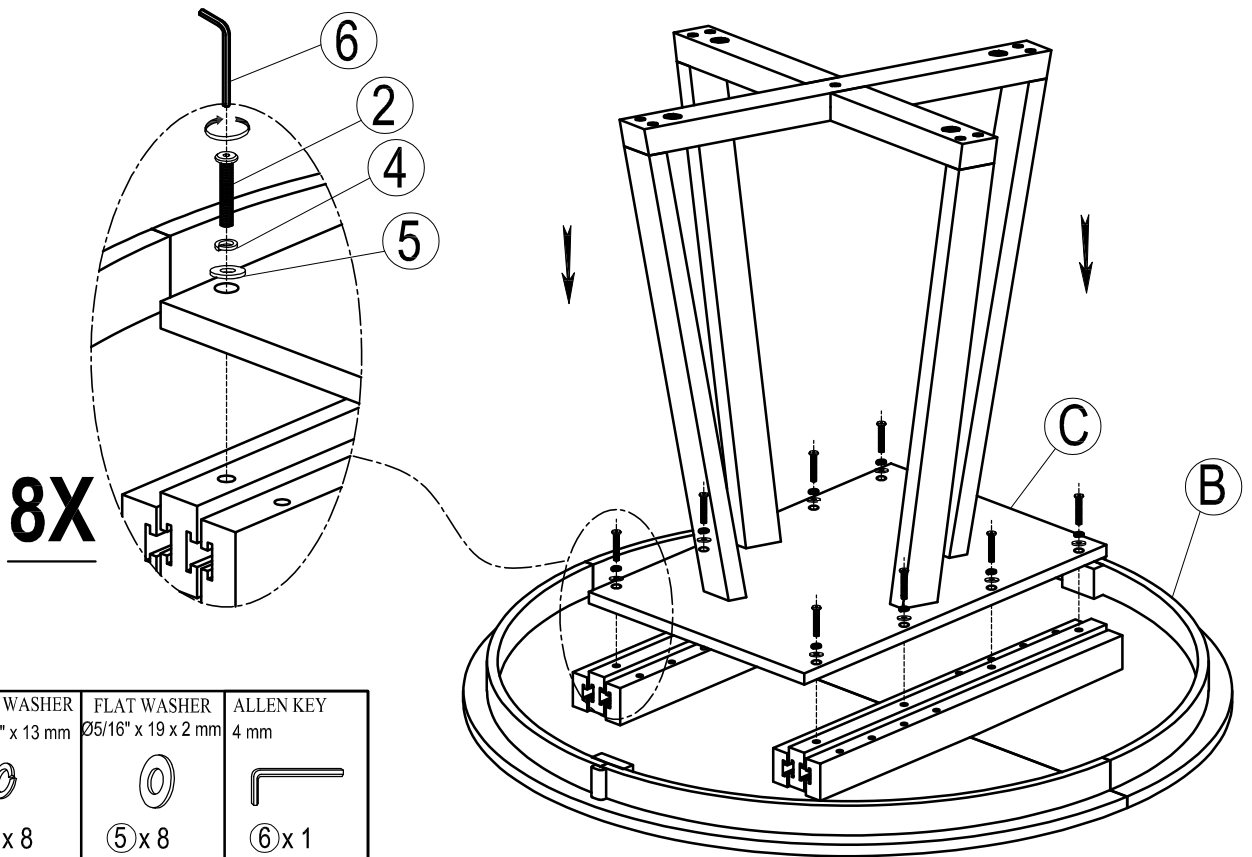
## STEP 3:







**X4**

BOLT	LOCK WASHER	ALLEN KEY
Ø 5/16" x 35 mm	Ø5/16" x 13 mm	4 mm
		
② x 8	④ x 8	⑥ x 1

## STEP 4:



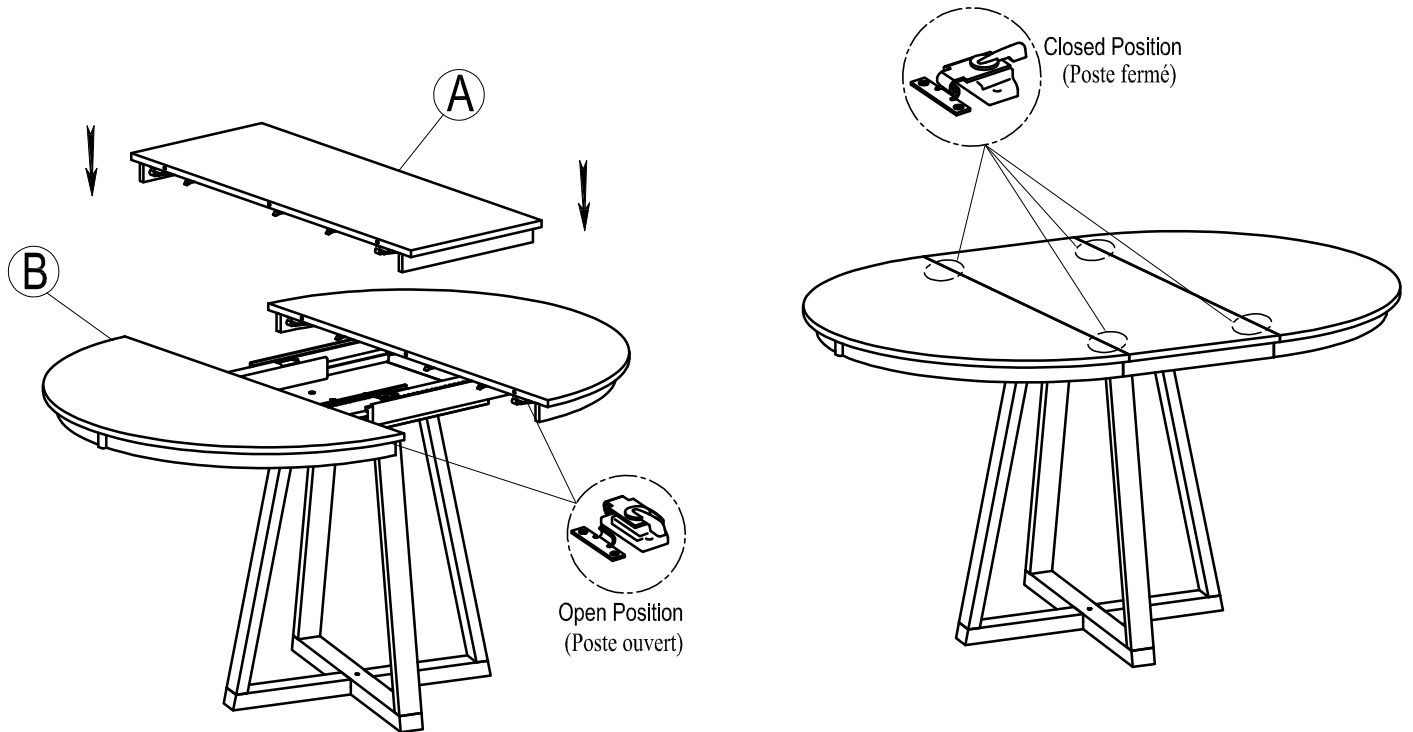
**8X**

BOLT	LOCK WASHER	FLAT WASHER	ALLEN KEY
Ø 5/16" x 35 mm	Ø5/16" x 13 mm	Ø5/16" x 19 x 2 mm	4 mm
			
② x 8	④ x 8	⑤ x 8	⑥ x 1

# ASSEMBLY INSTRUCTION

ITEM NO.N715P426868

## STEP 5:



## COMPLETE

