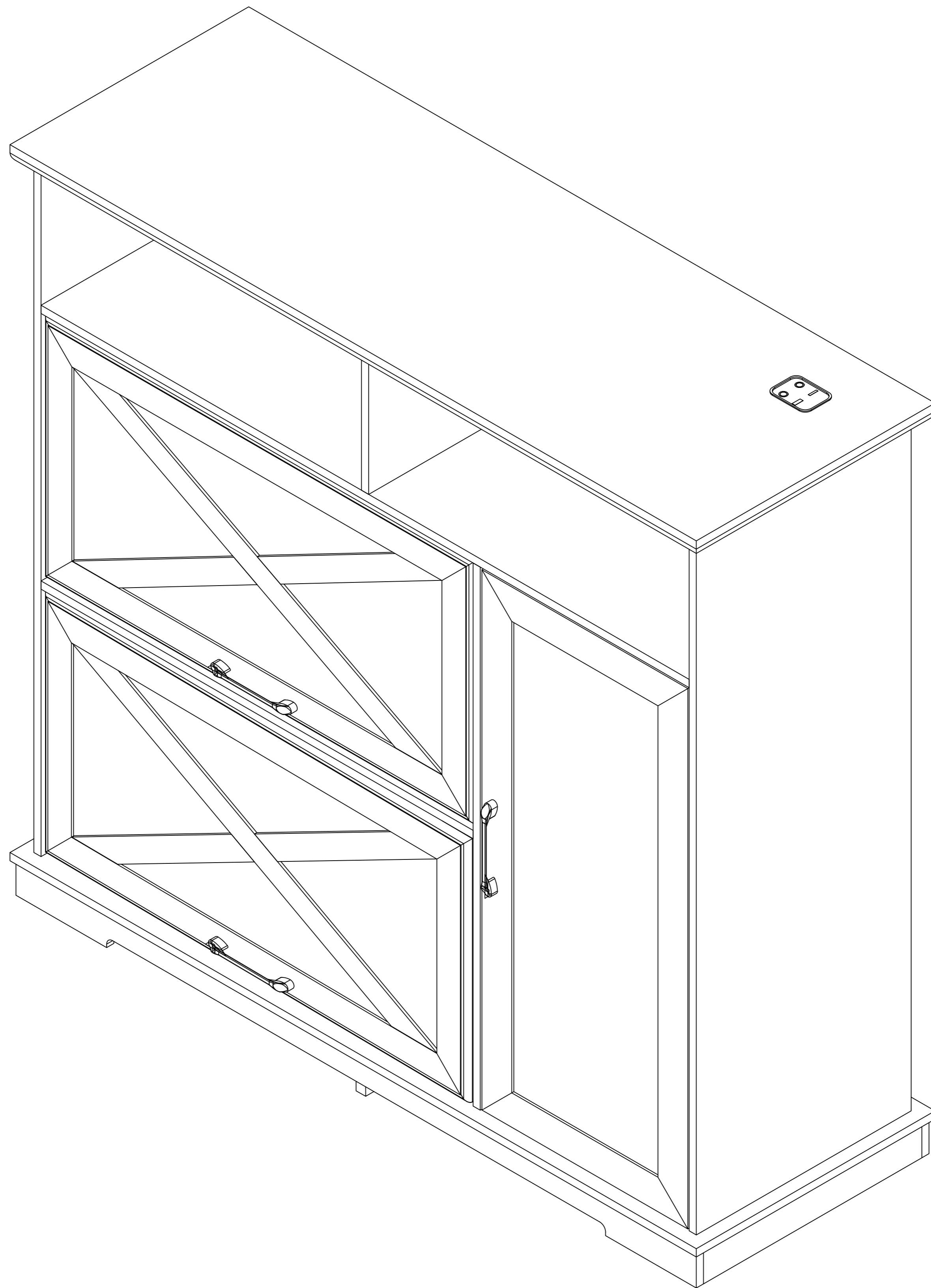
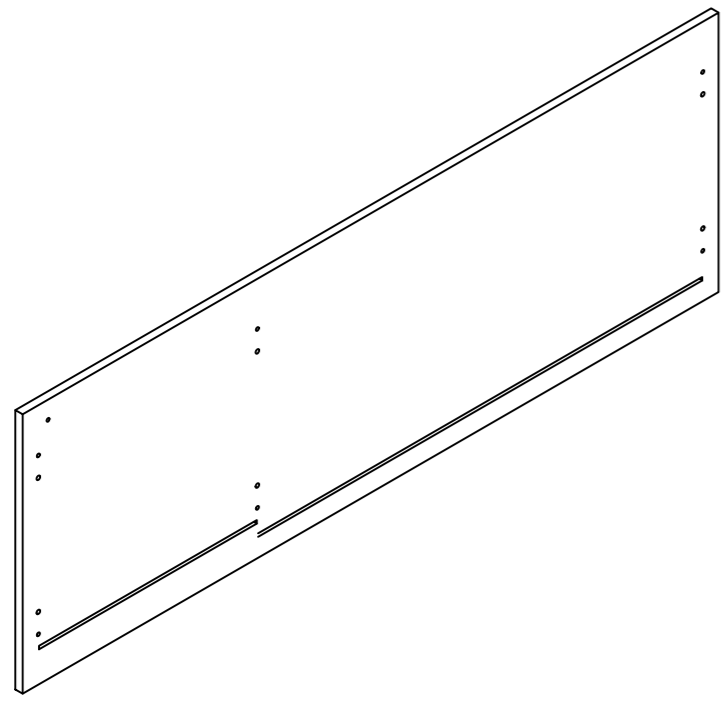
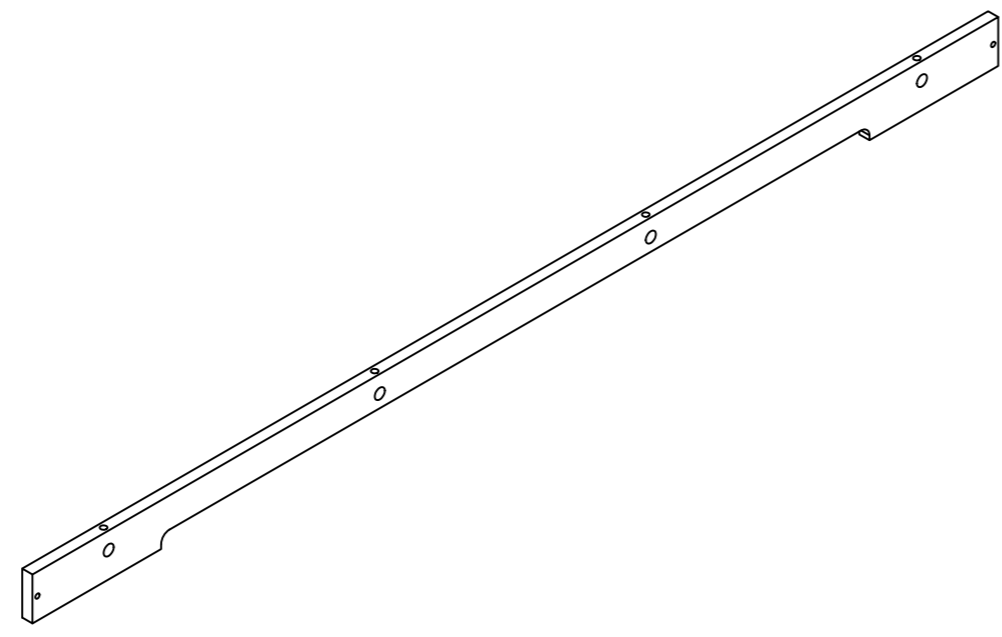


# Product Installation Instructions

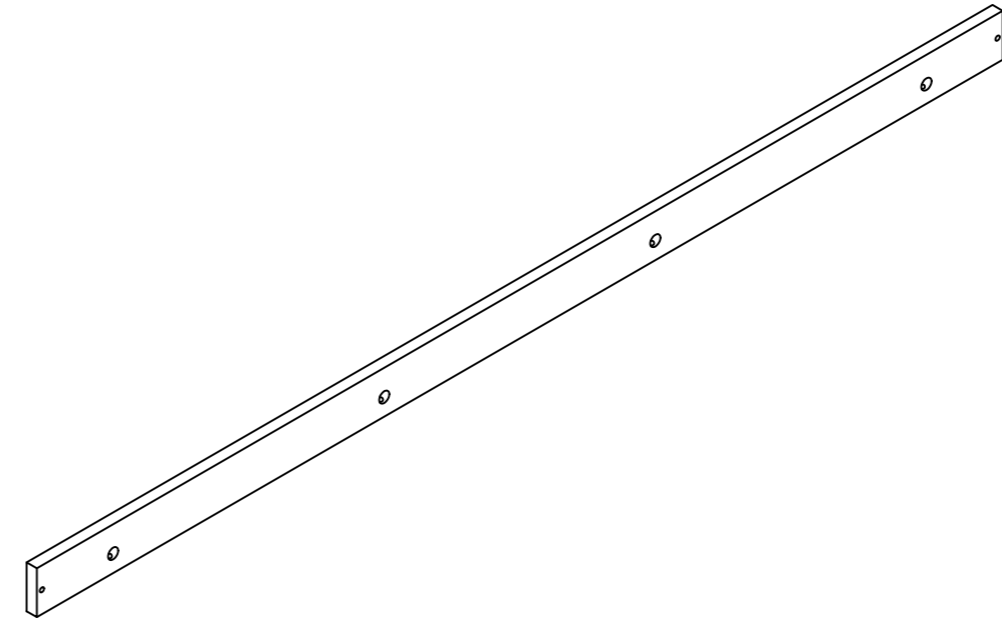




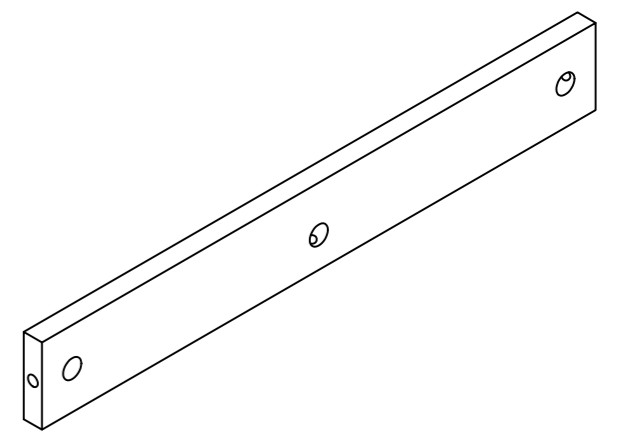
1x1



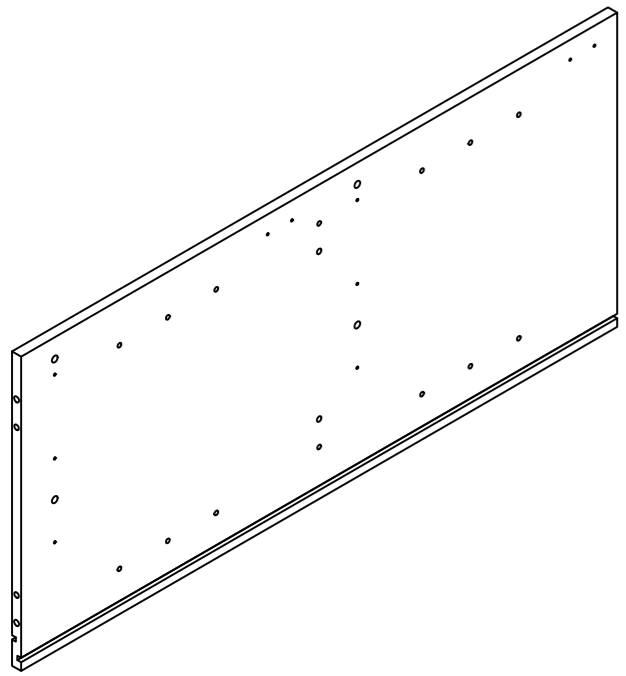
2x1



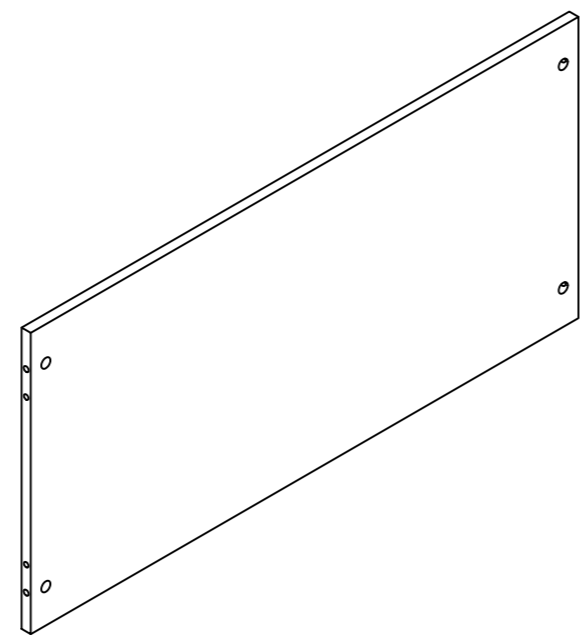
3x1



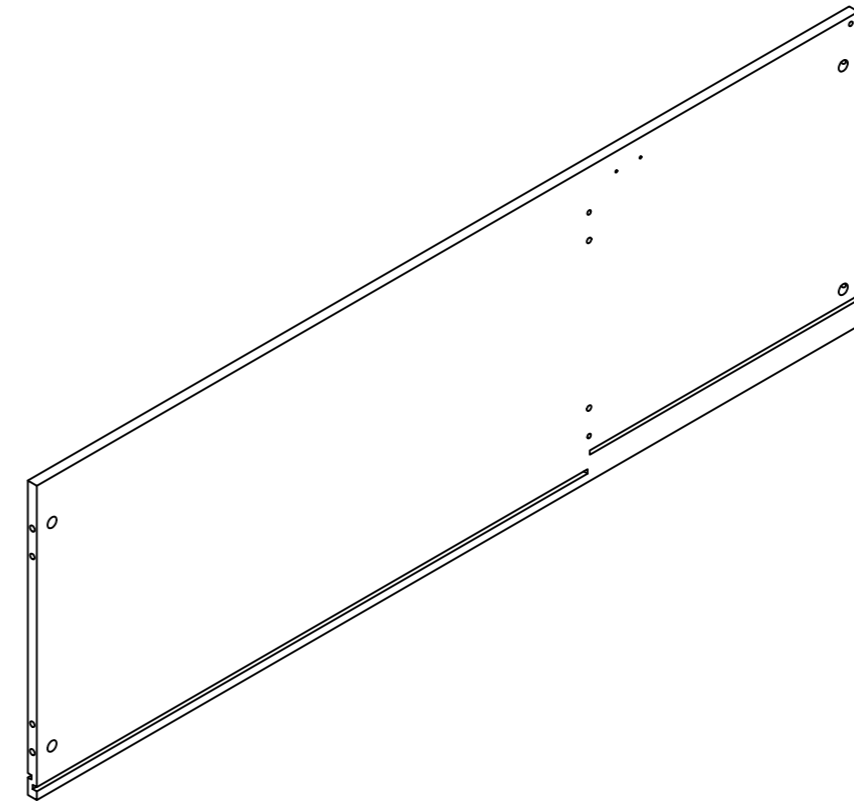
4x2



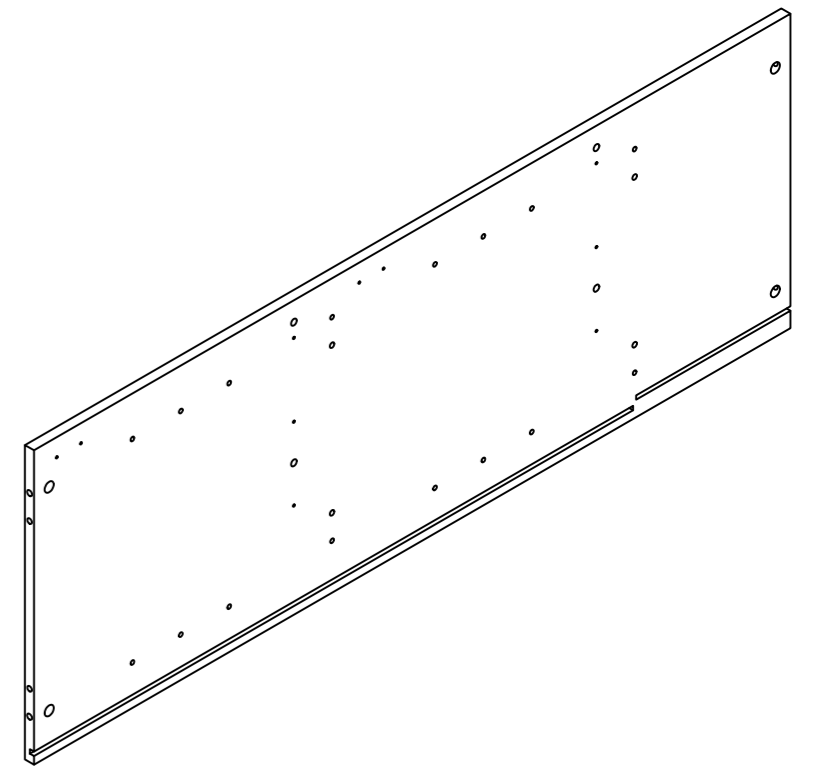
5x1



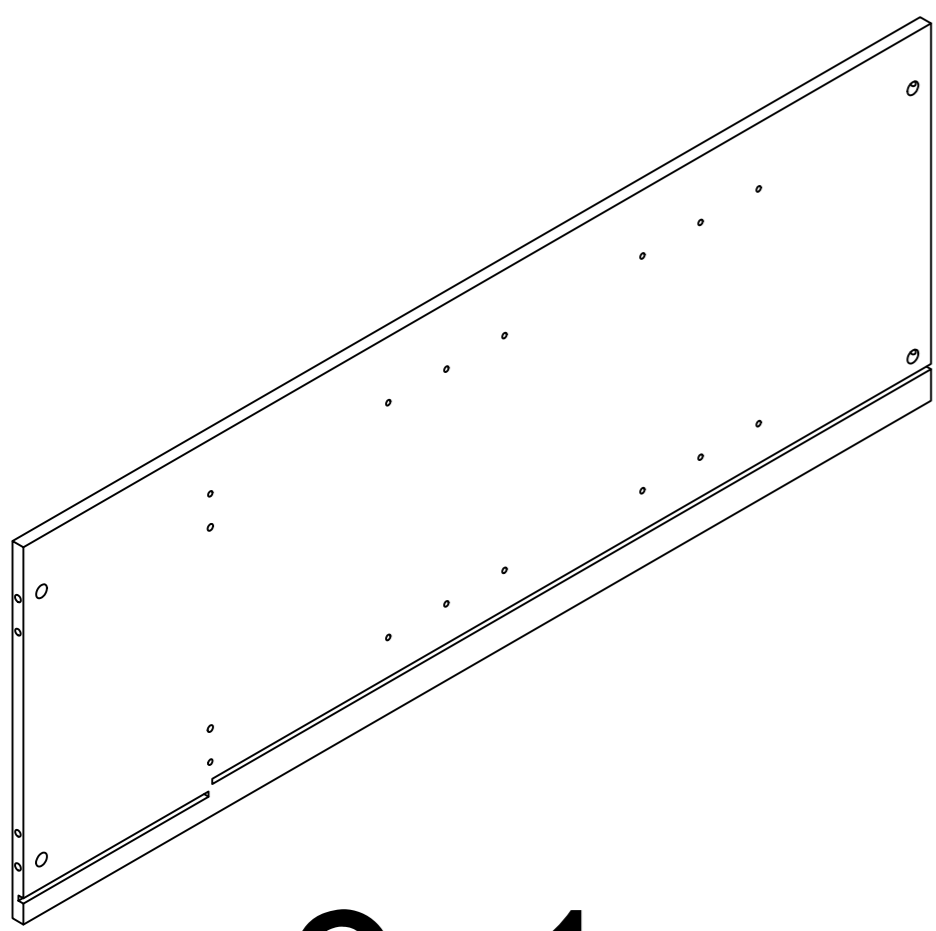
6x1



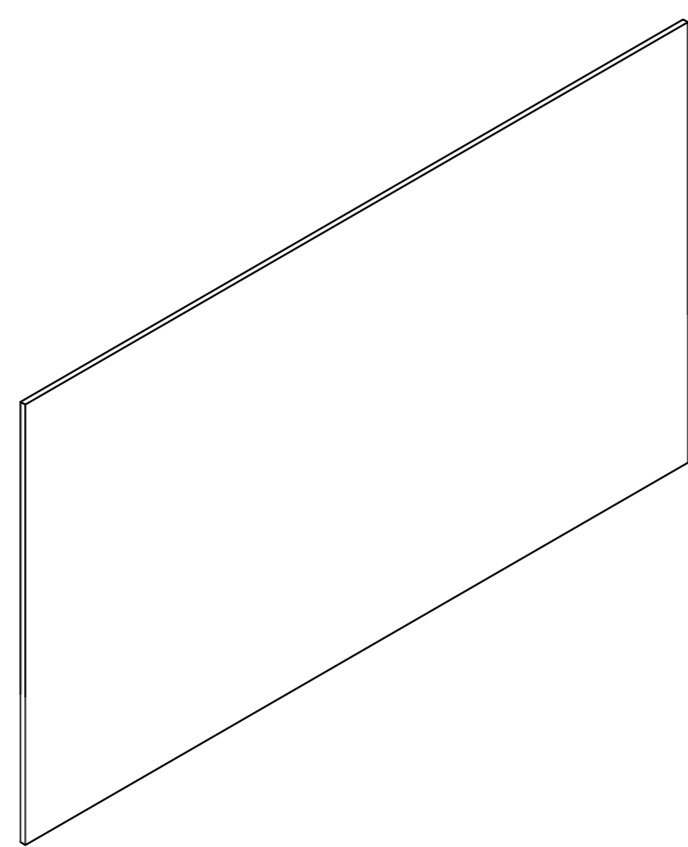
7x1



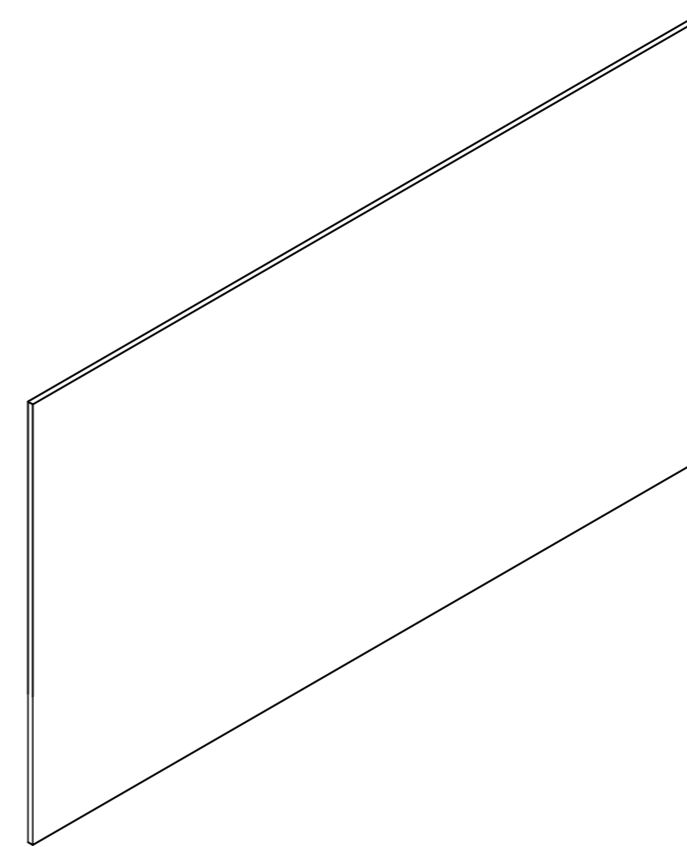
8x1



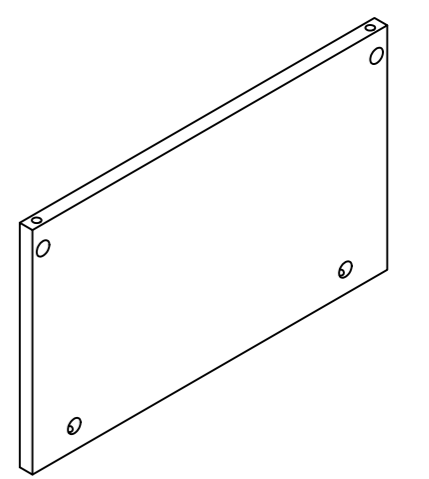
9x1



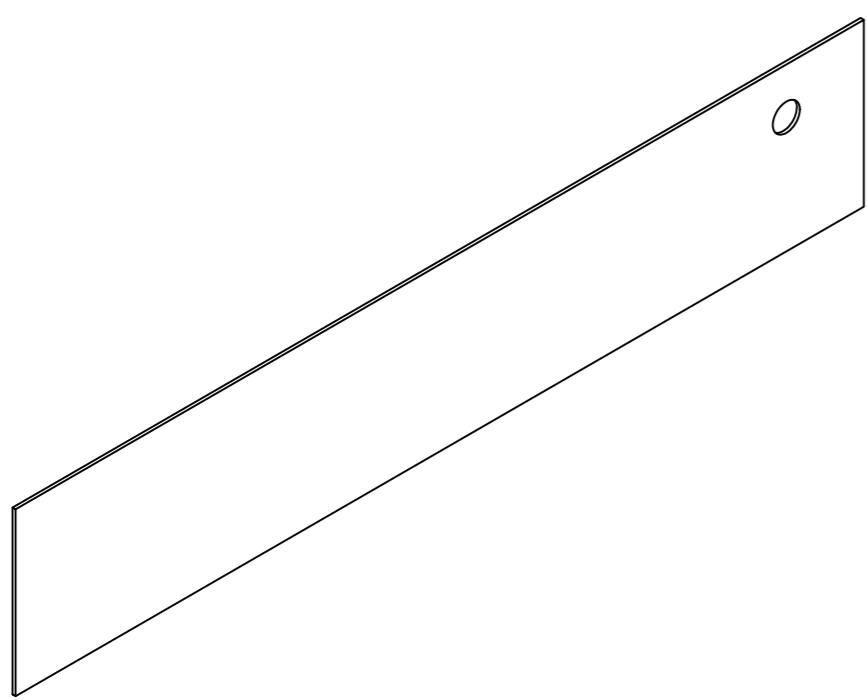
10x2



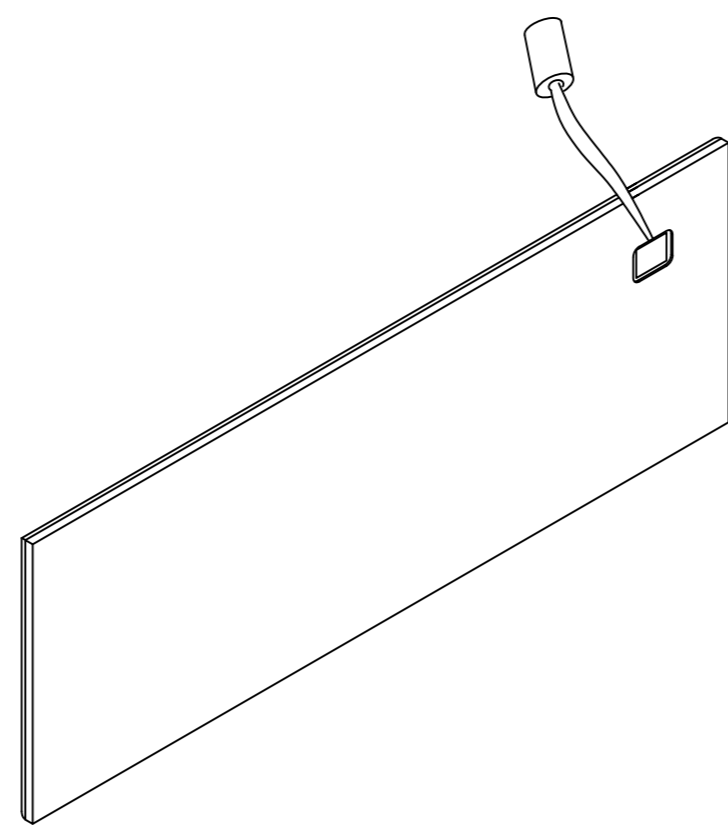
11x1



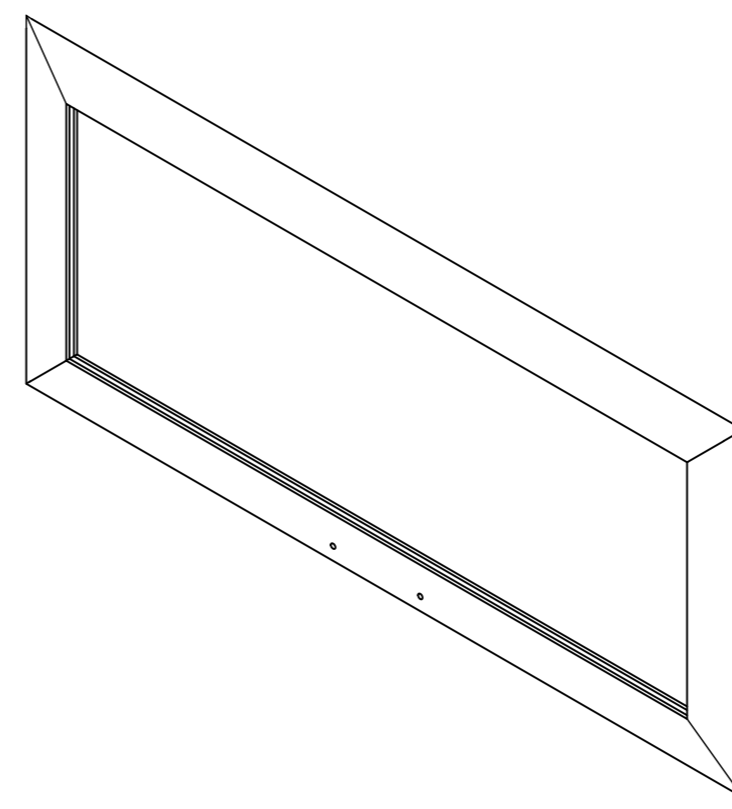
12x1



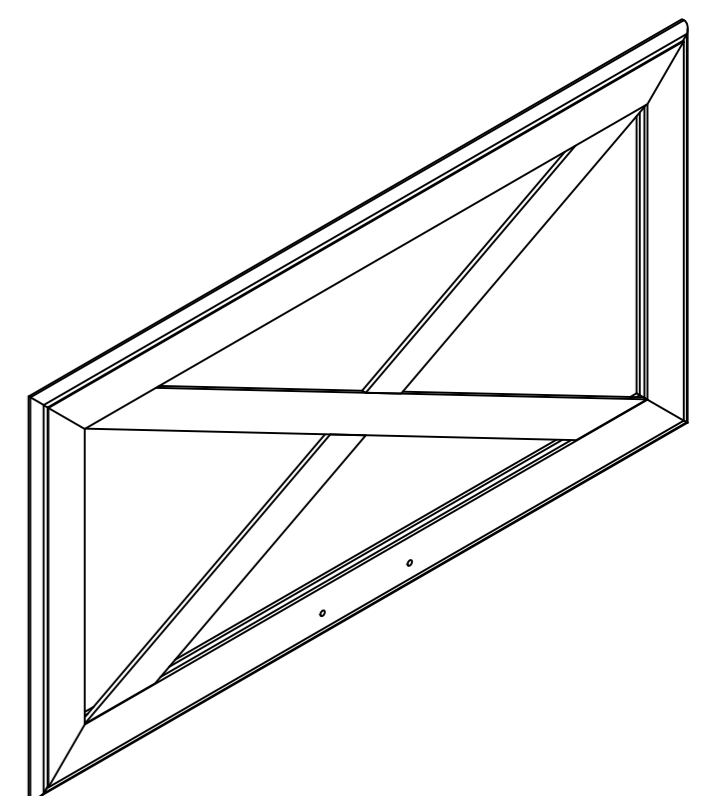
13x1



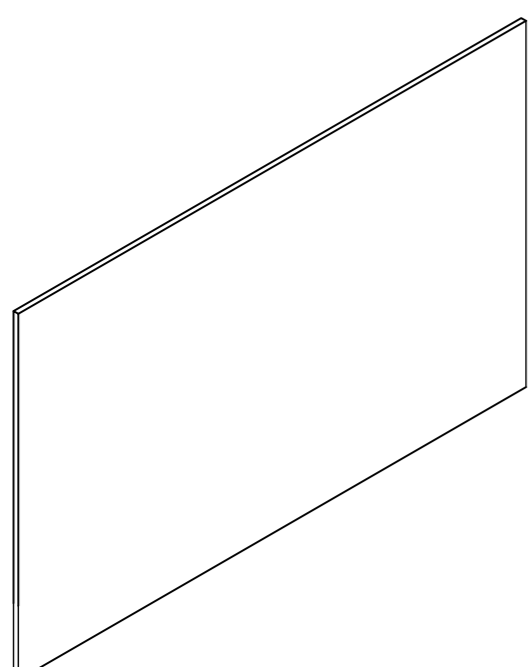
14x1



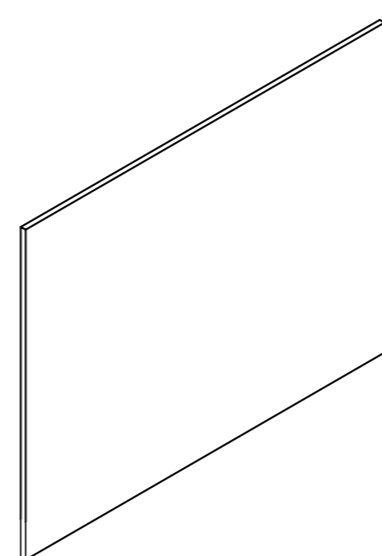
15x1



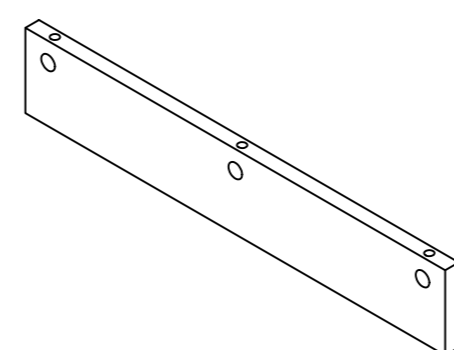
16x2



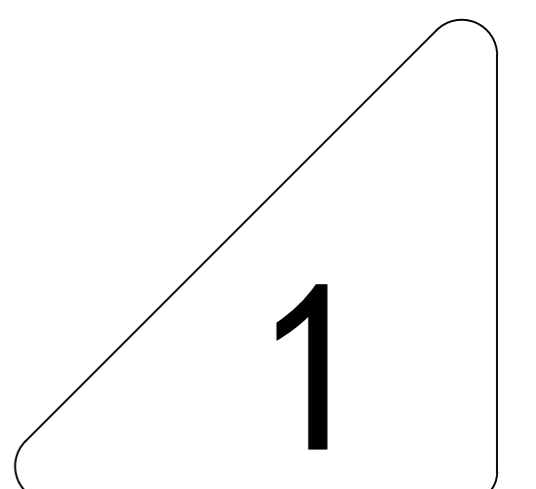
17x2



18x2

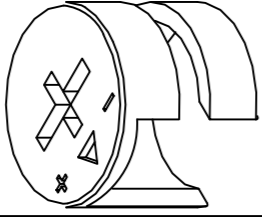

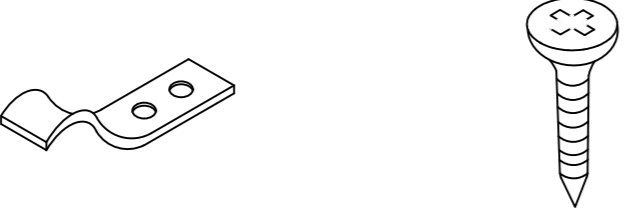


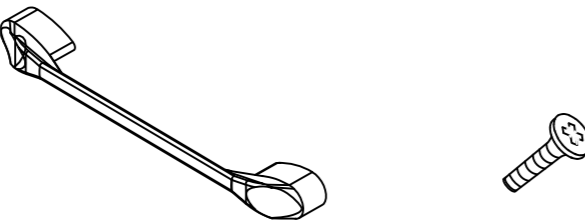
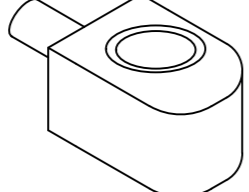

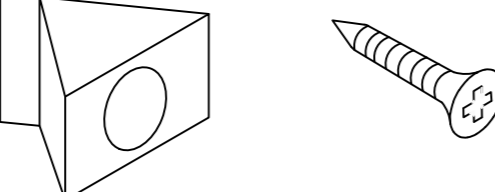
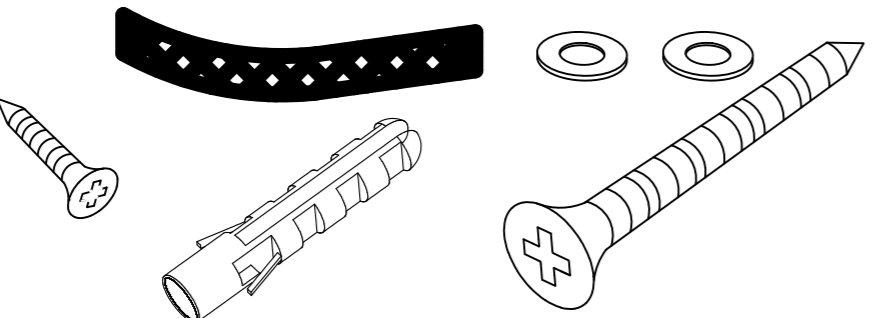
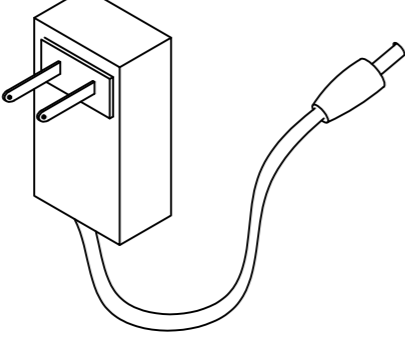


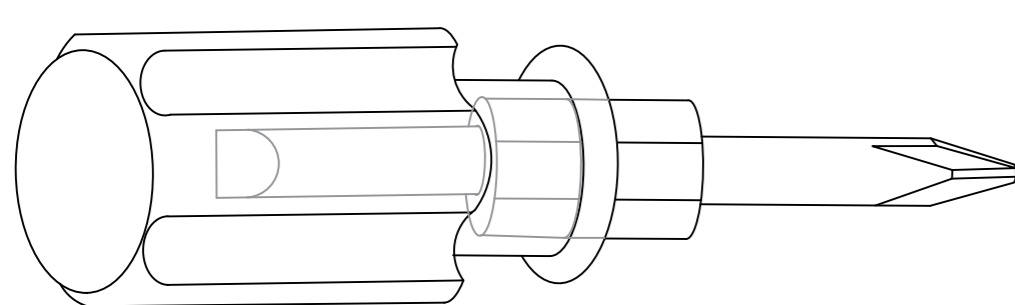
19x1



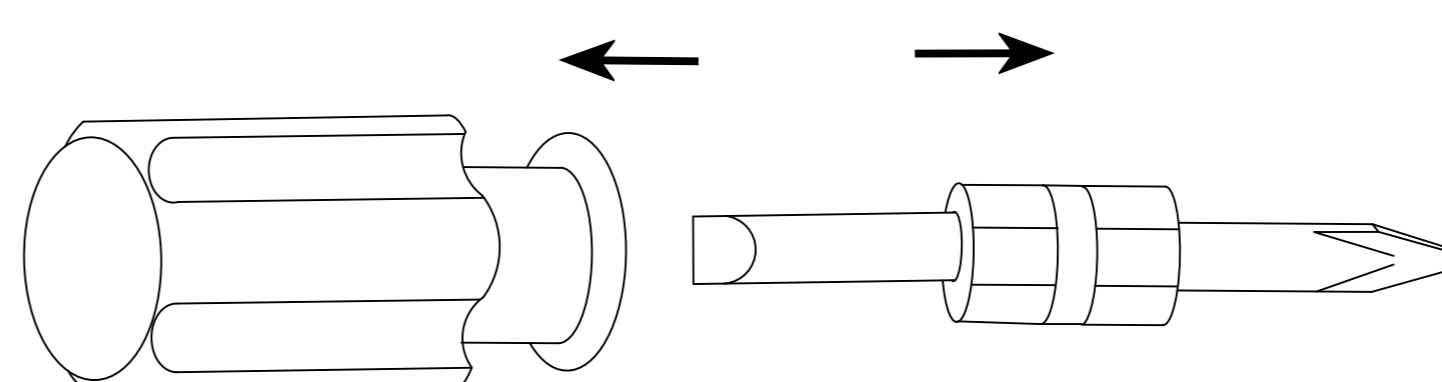
1

# Accessories list

A		Two In One Screw (6x28mm)	41pcs +2pcs
B		Two In One Nut (10x12mm)	41pcs +2pcs
C		Wood Chipping (6x30mm)	22pcs +2pcs
D		Magnetic attraction Iron sheet Screw (3x10mm)	5pcs / 5pcs / 20pcs +2pcs
E		Rail Iron Hook & Screw (3.5x12mm)	4pcs / 8pcs +2pcs
F		Cabinet Door Hinge & Screw (3x12mm)	2pcs / 4pcs +2pcs
G		Rubber Strip Guide & Screw (3x16MM)	4pcs / 12pcs +2pcs
H		Handle & Screw (4x16mm)	3pcs / 6pcs +2pcs
I		Laminate support nail	16pcs +2pcs
J		Non-slip pads	12pcs
K		Fixing Clip & Screw (3x16mm)	16pcs +1pcs
L		Anti tipping hardware (3.5x12mm) (4x45mm)	1pcs
		AC/DC Adapter (12V=2.0A)	1pcs



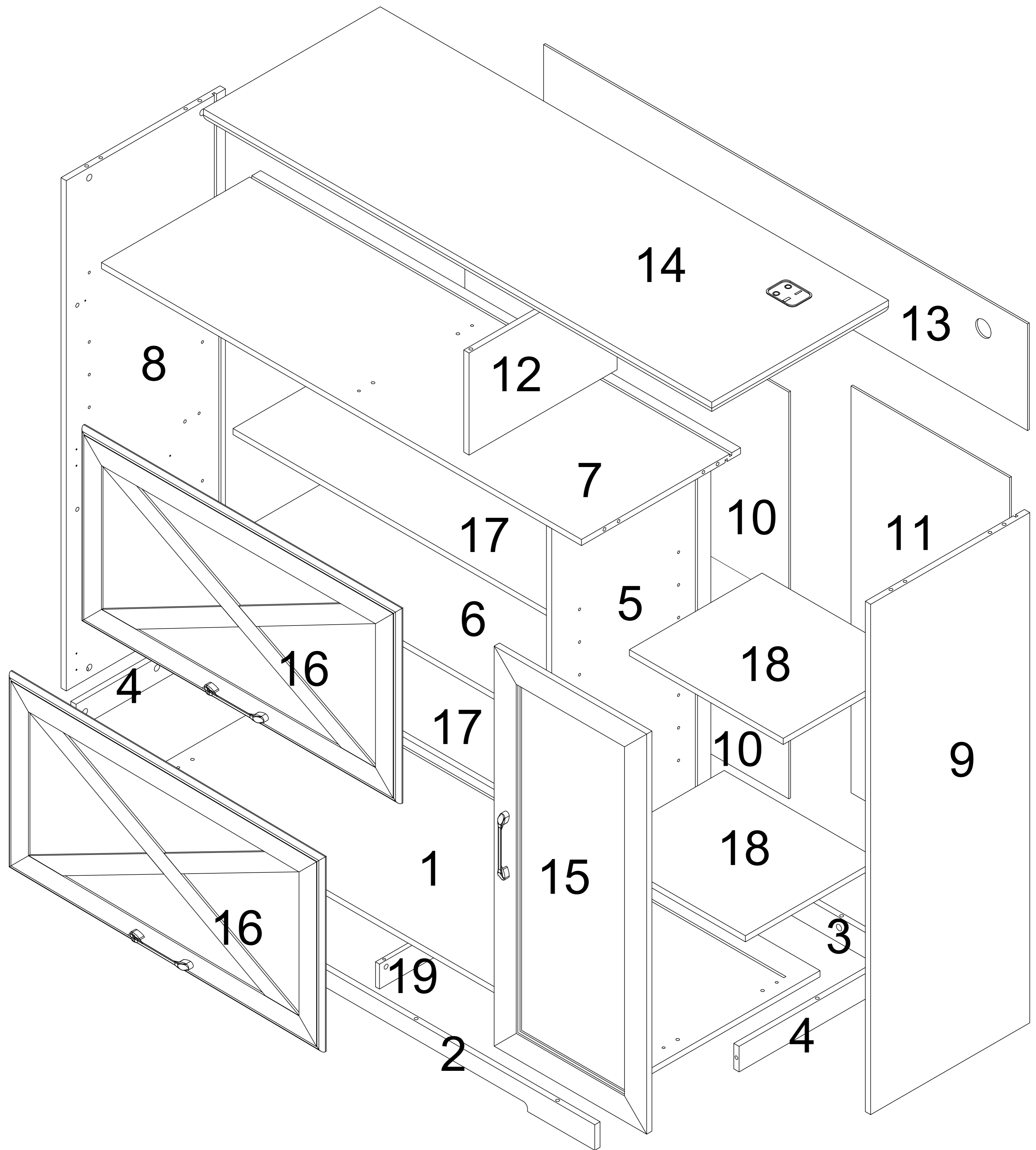
1pcs

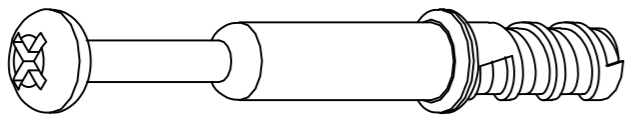

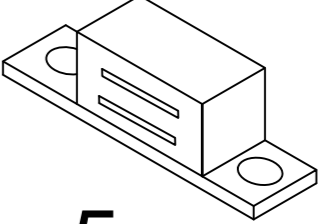
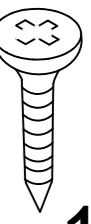
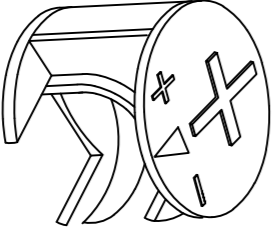
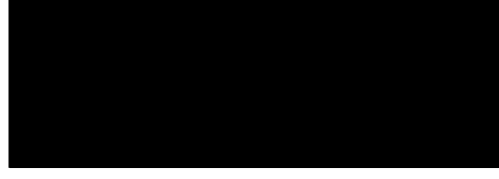
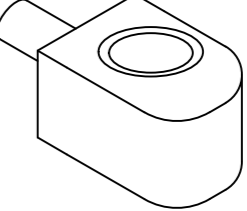
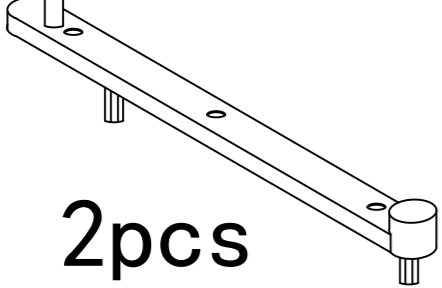
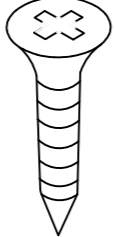


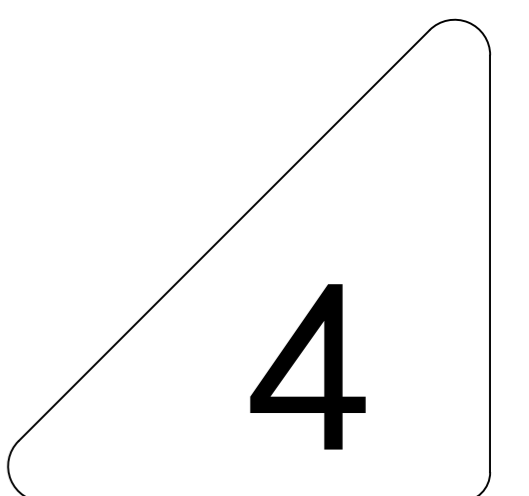
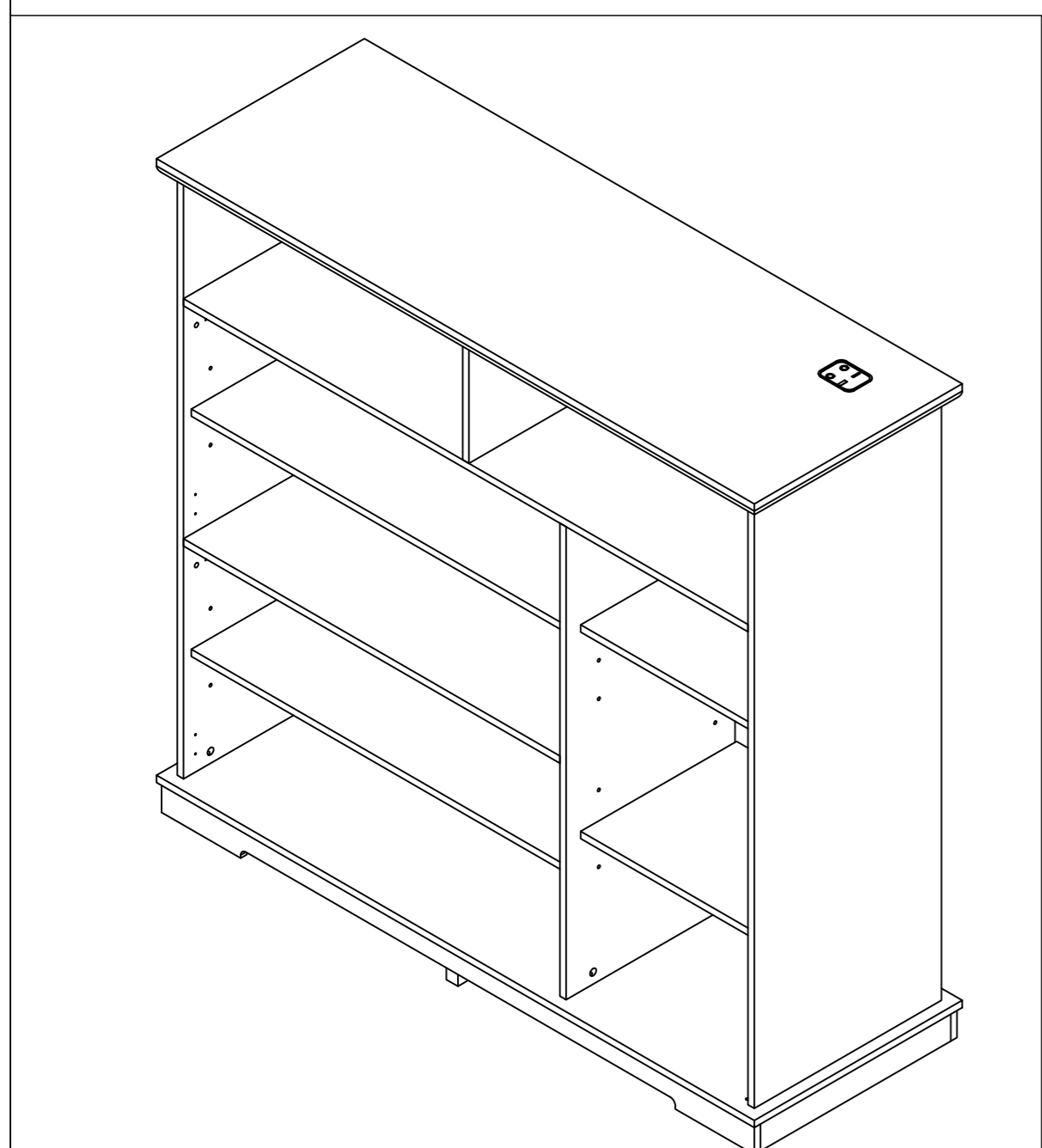
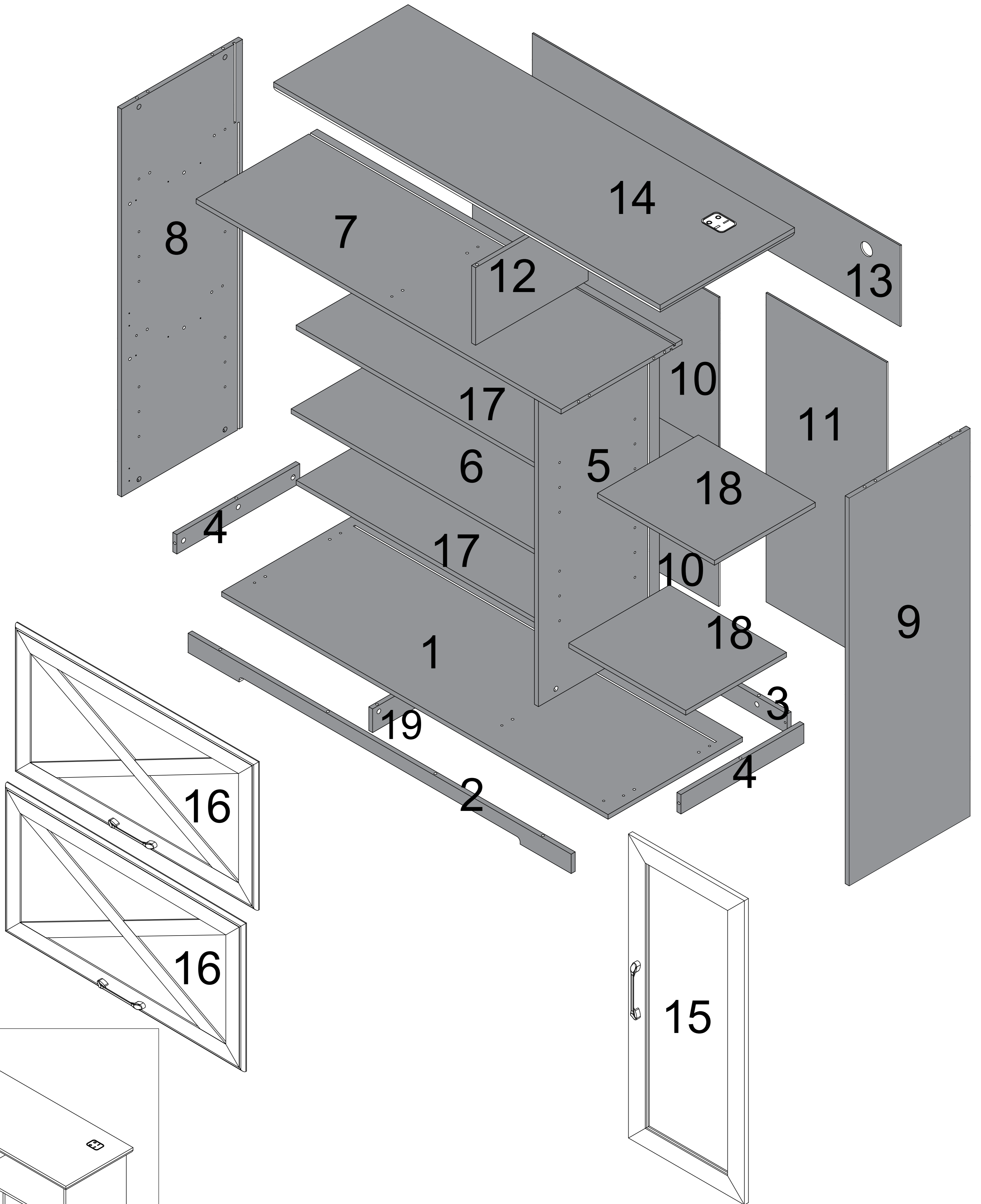
Double-head screwdriver, use as required

2

# Storage Cabinet Manual

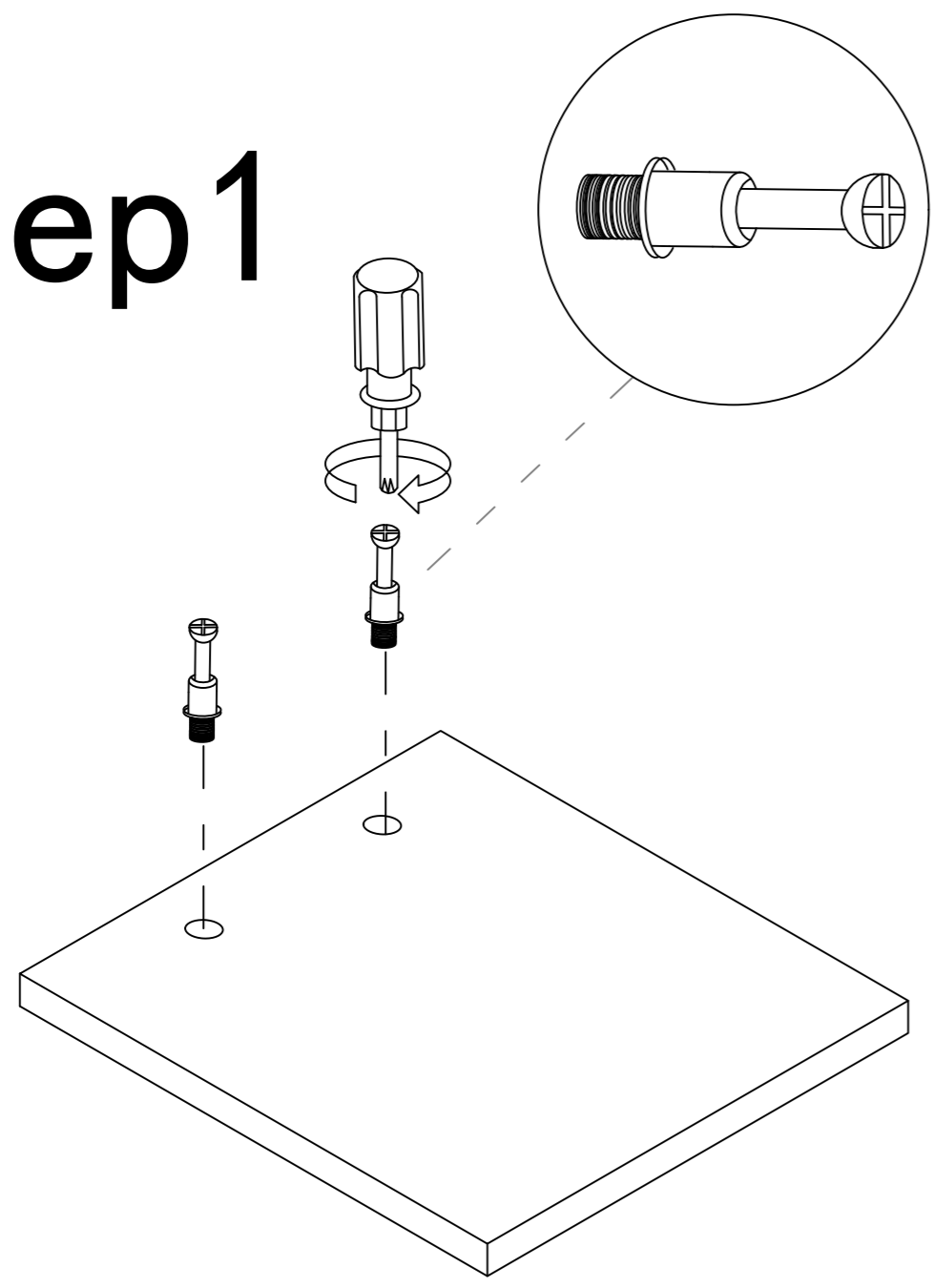


<b>A</b>		41pcs	<b>C</b>		22pcs	<b>D</b>		5pcs		10pcs	
<b>B</b>		41pcs	<b>J</b>		12pcs	<b>I</b>		16pcs			
<b>G</b>		2pcs									6pcs

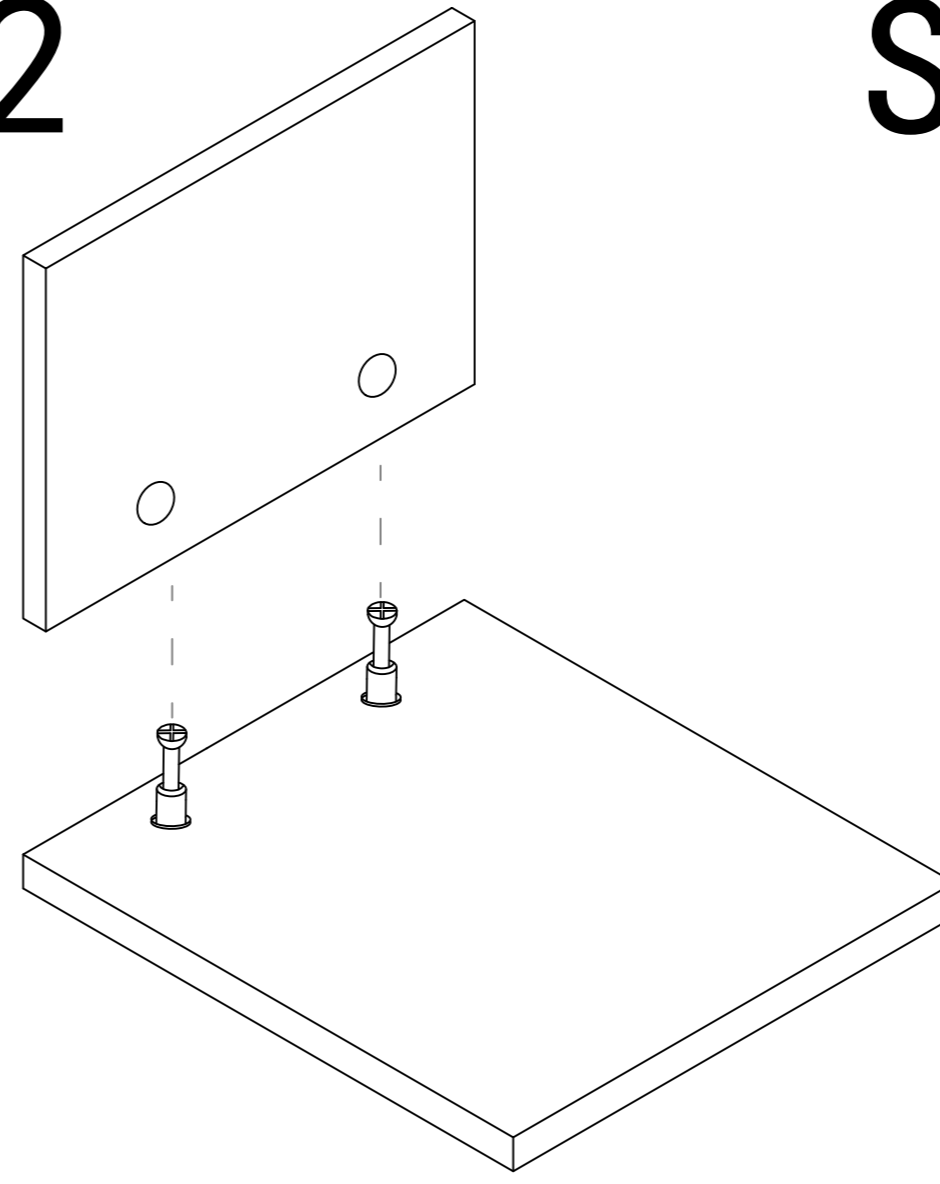


# Use parts ① and ②

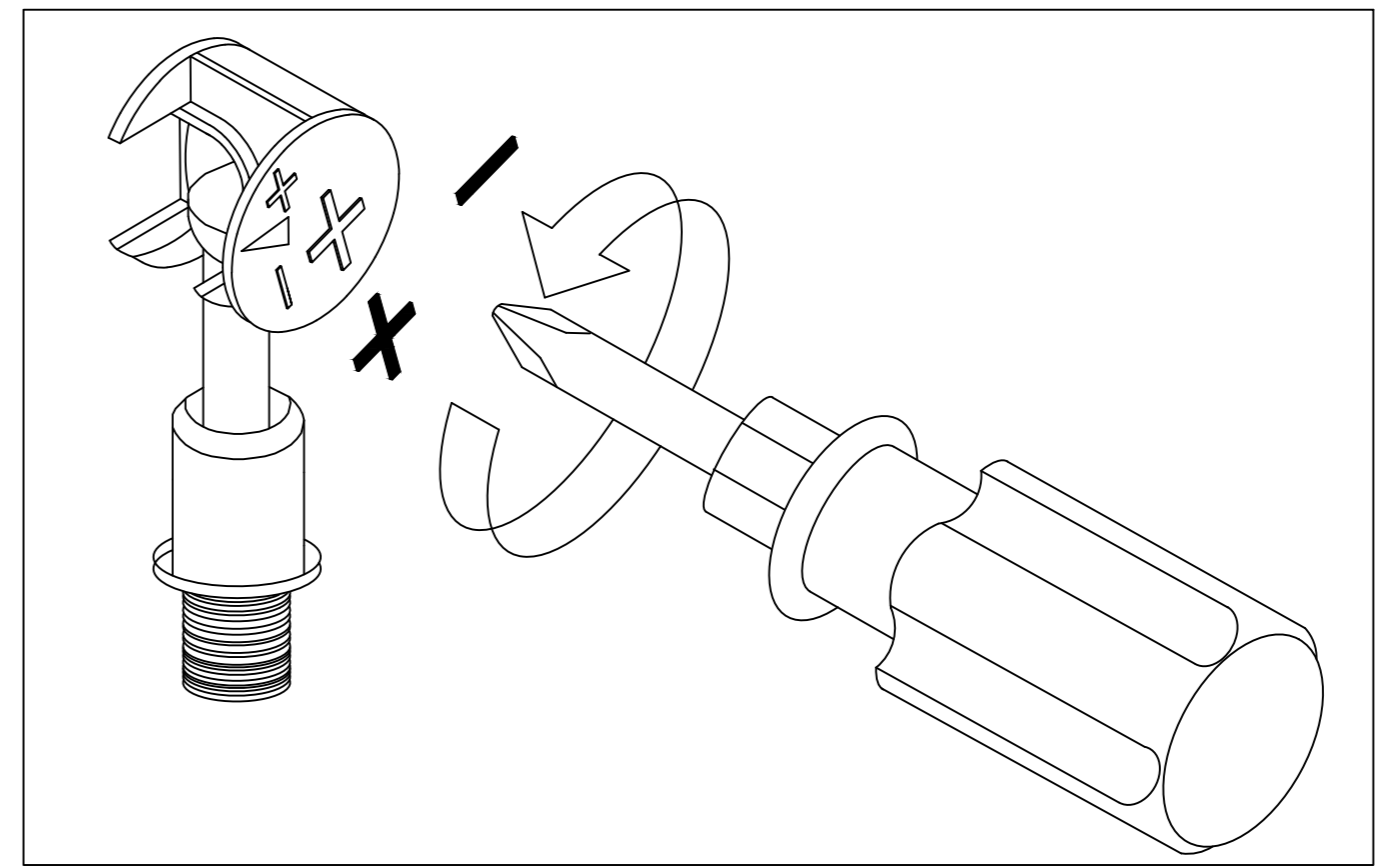
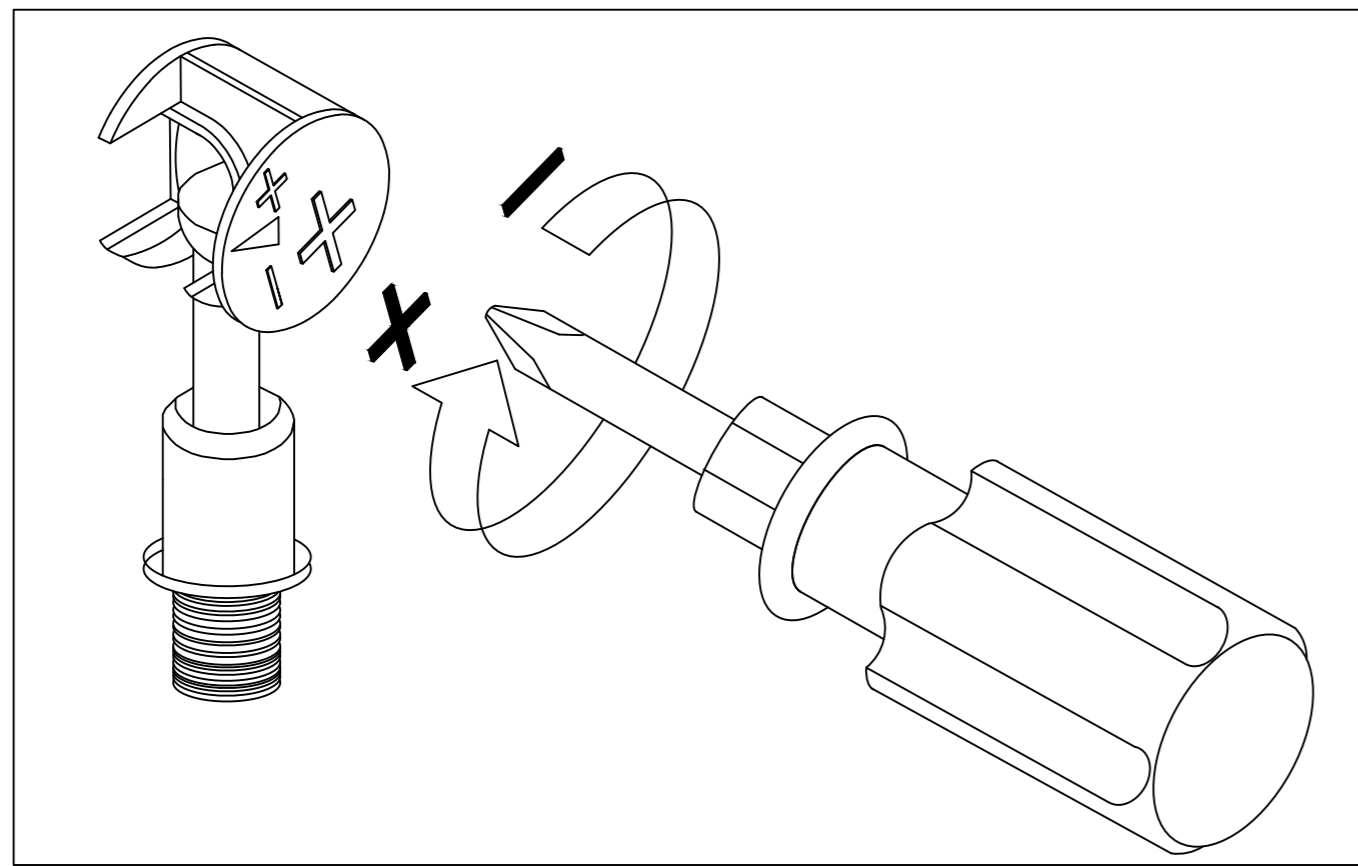
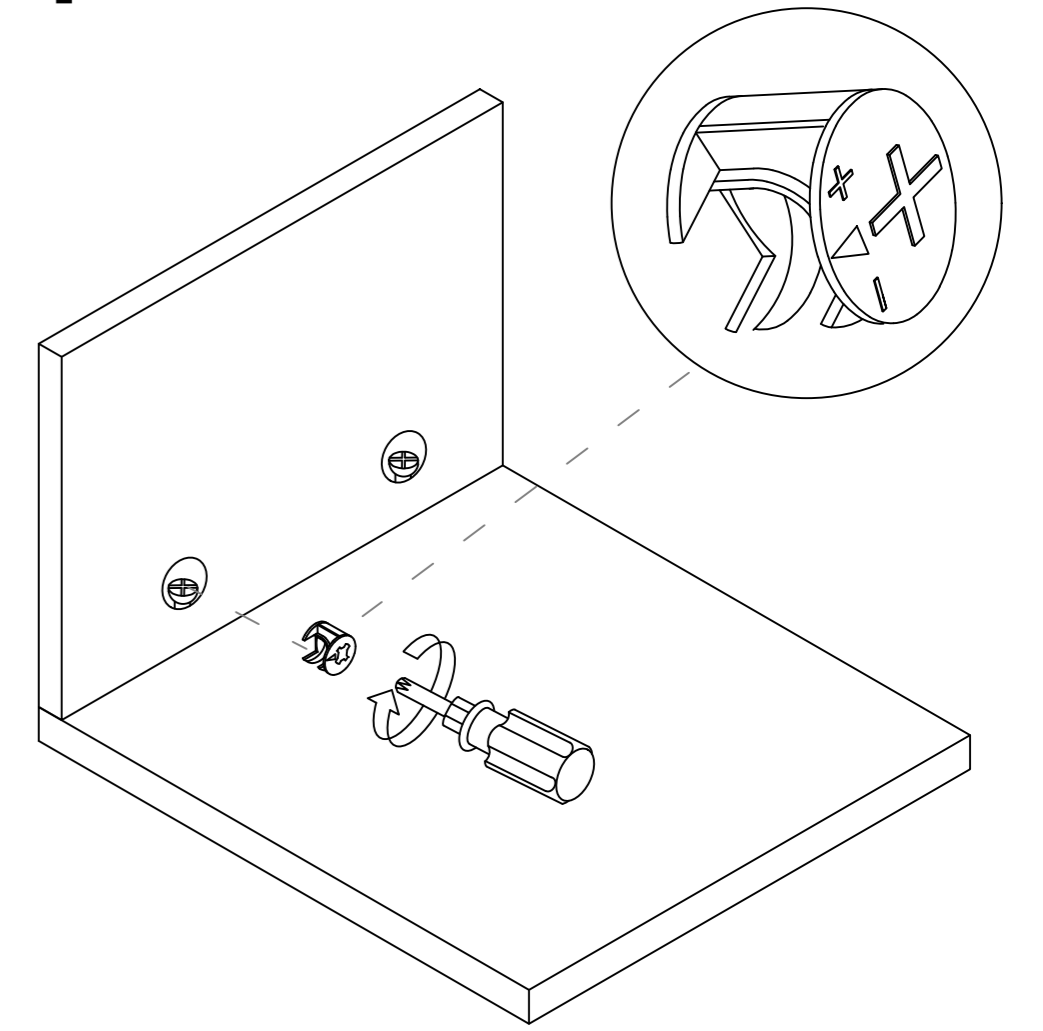
Step 1



Step 2

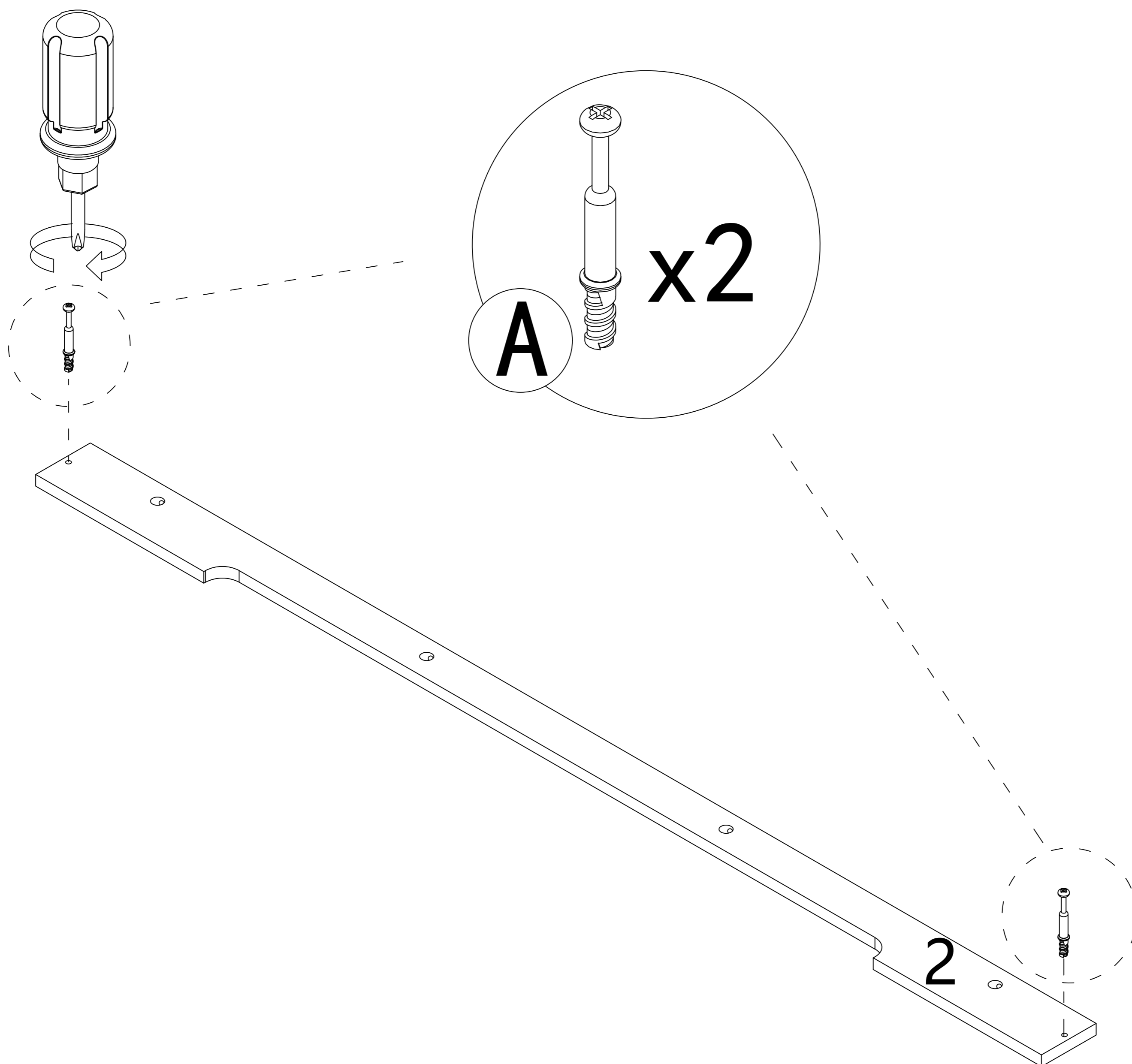
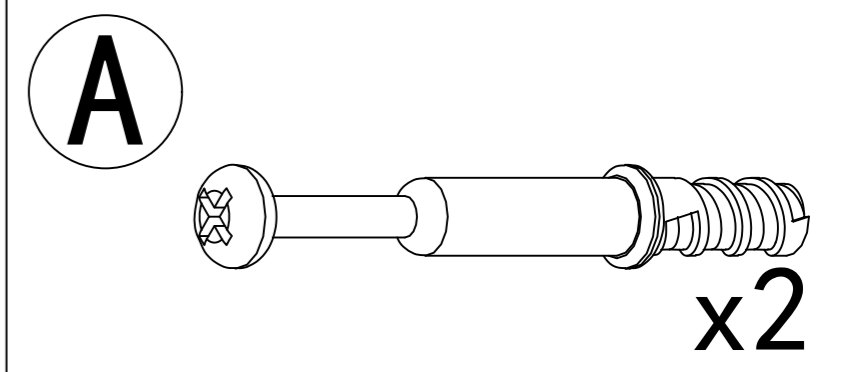


Step 3



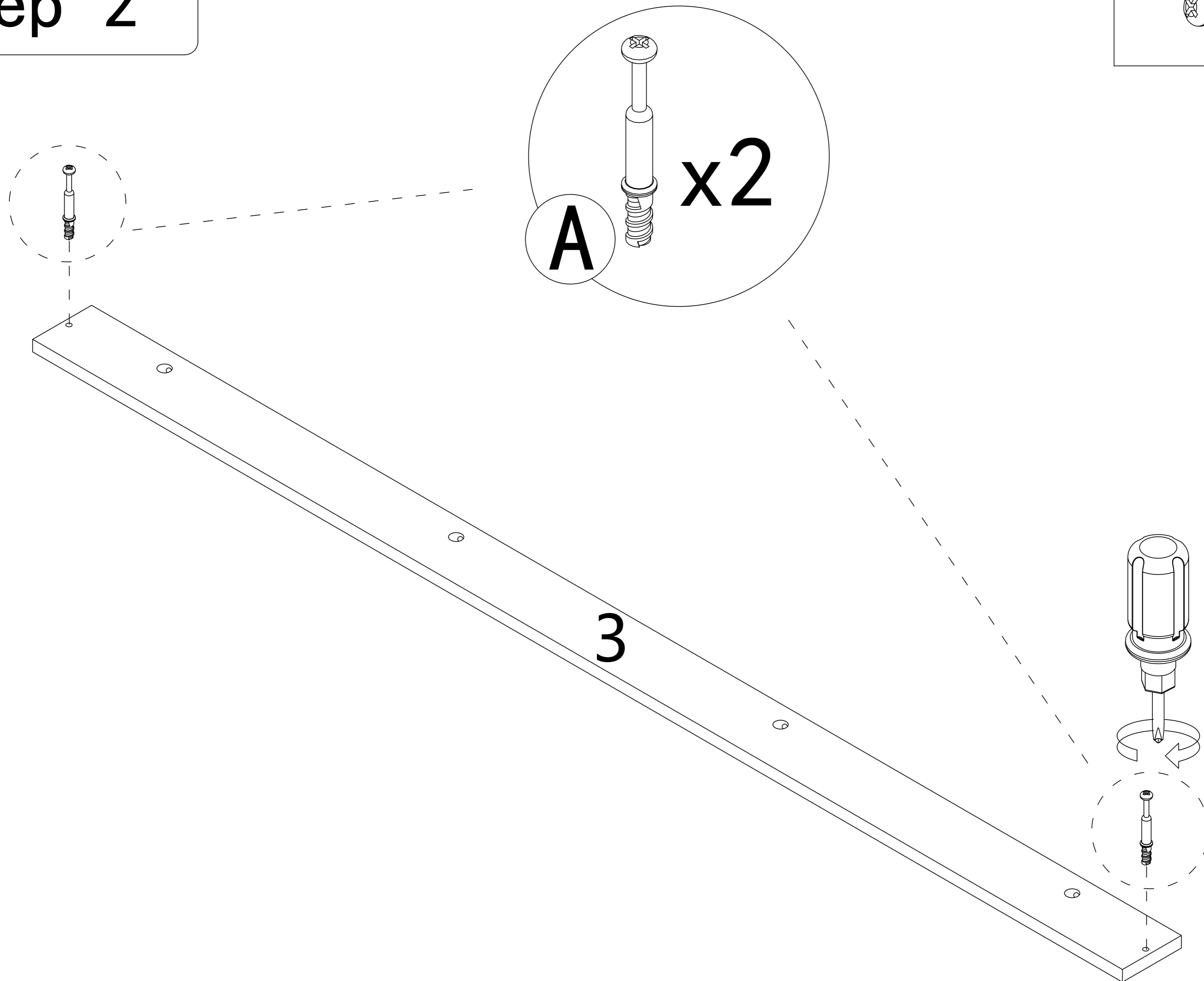
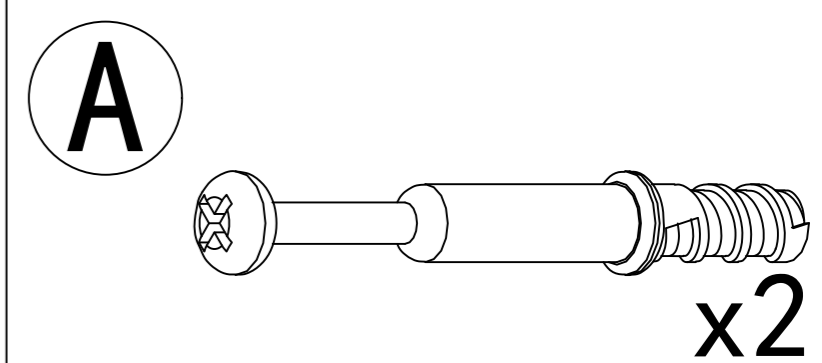
Use a screwdriver to lock in the direction of Disassemble along the direction of "-" sign the "+" sign.

Step 1

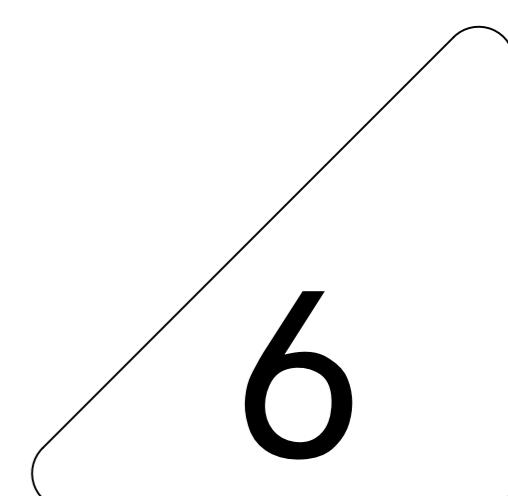
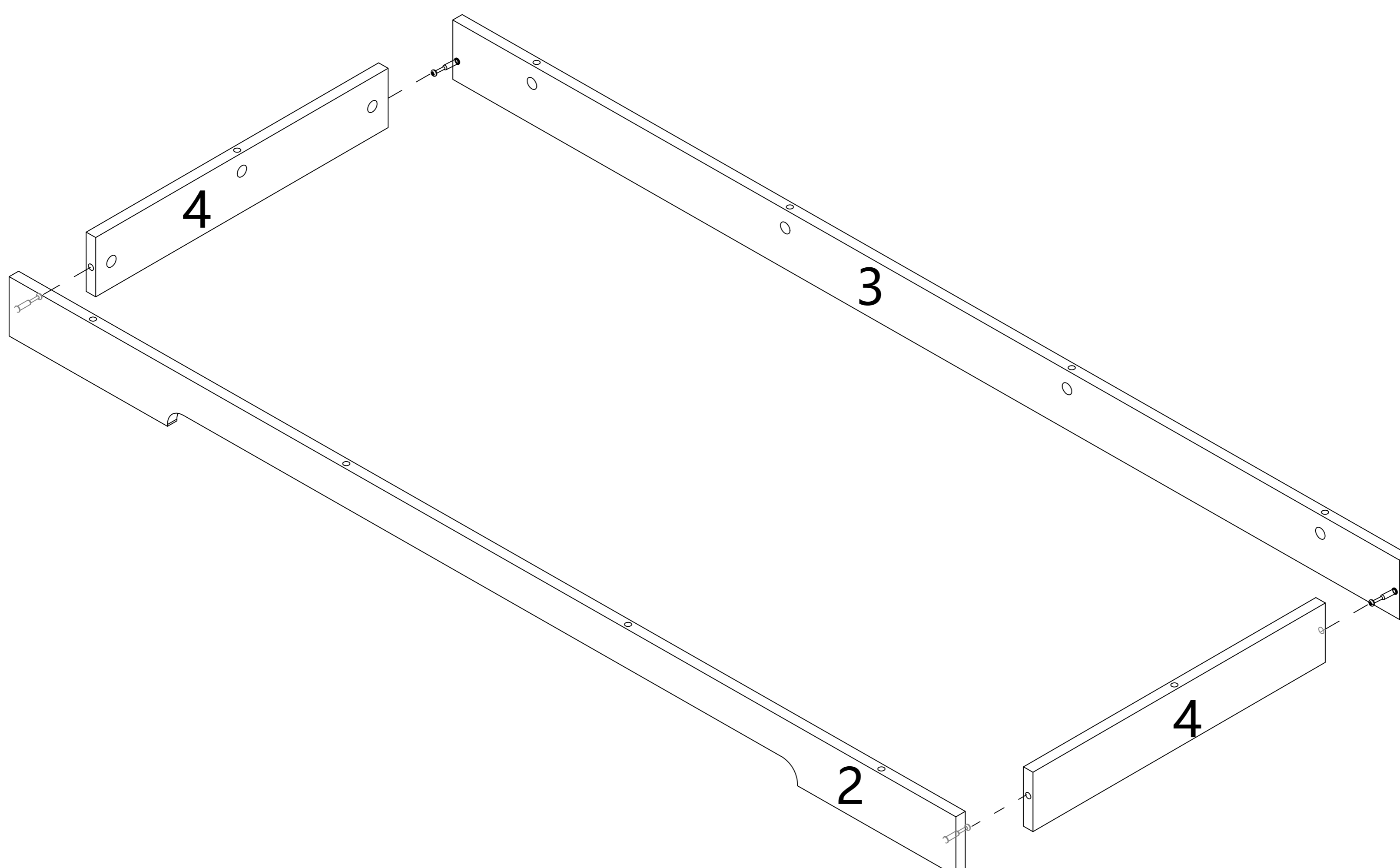


5

# Step 2

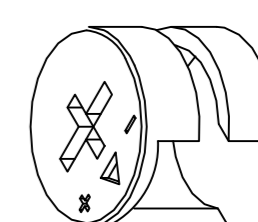


# Step 3

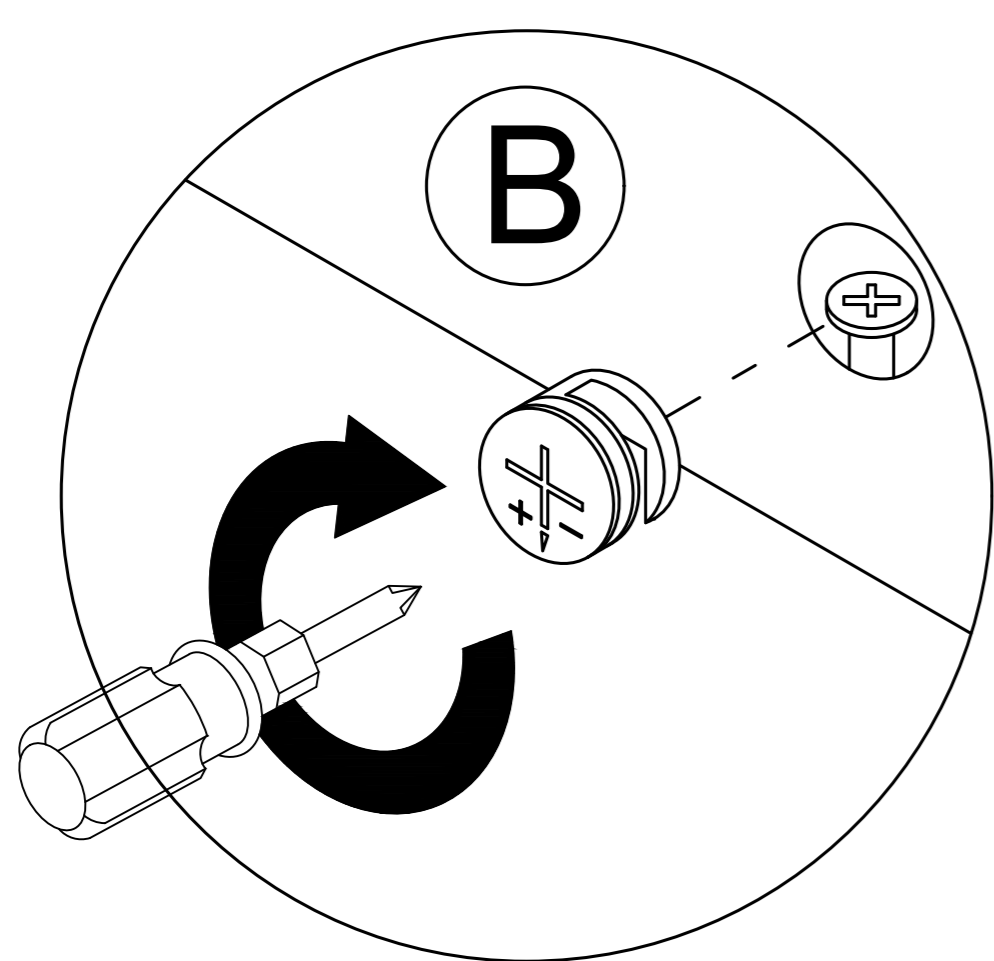
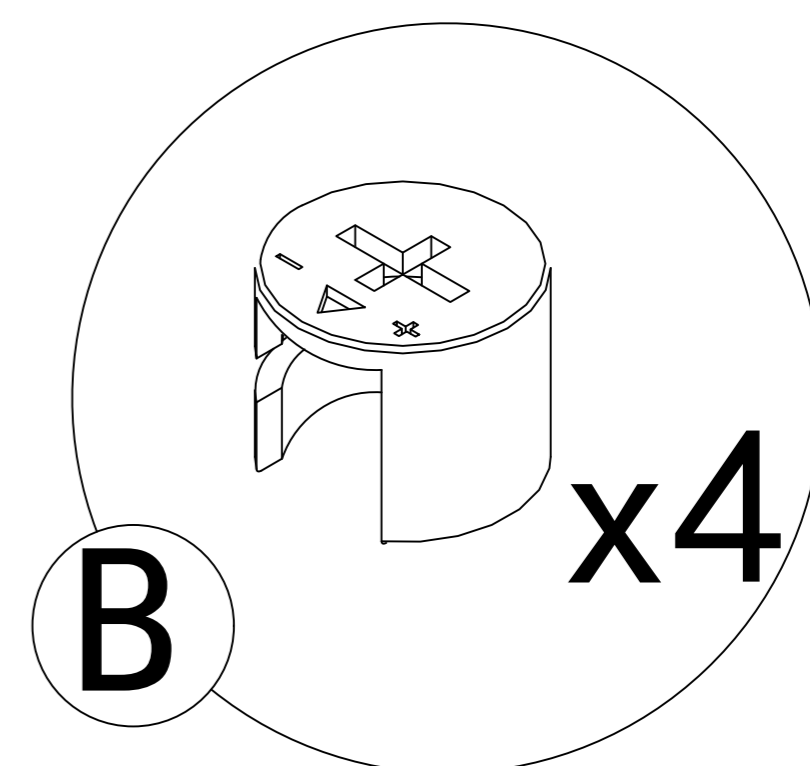
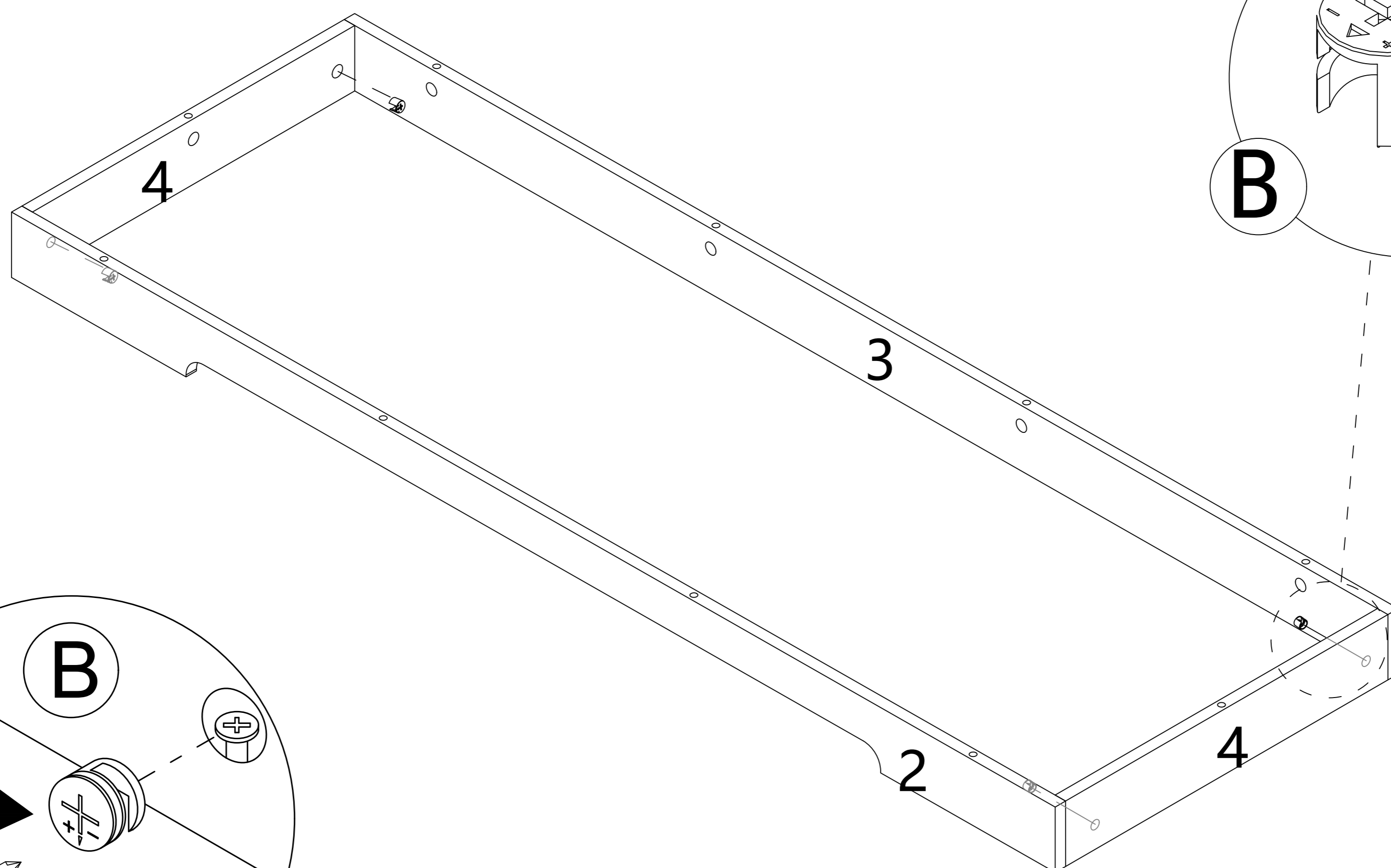


# Step 4

B

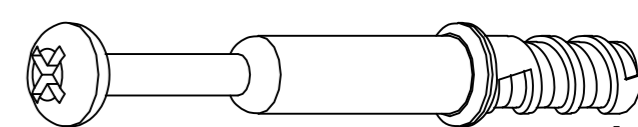


x4

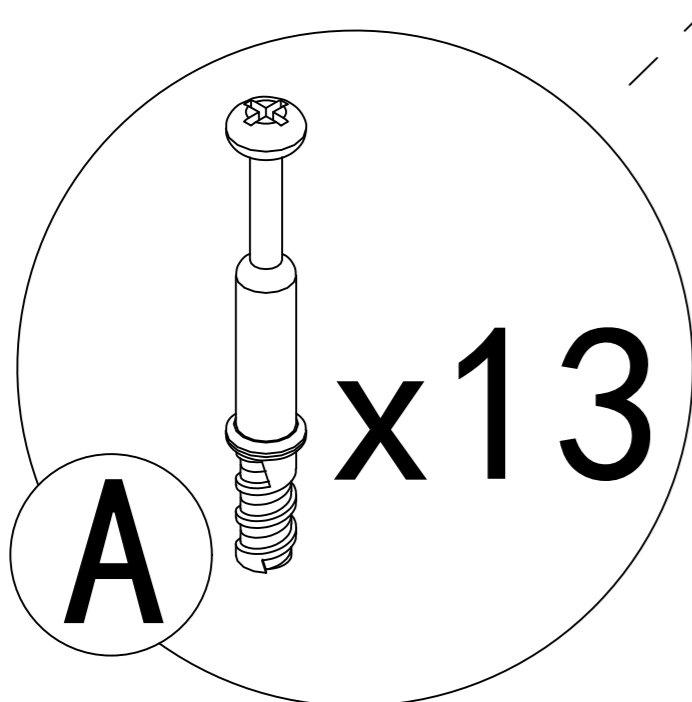
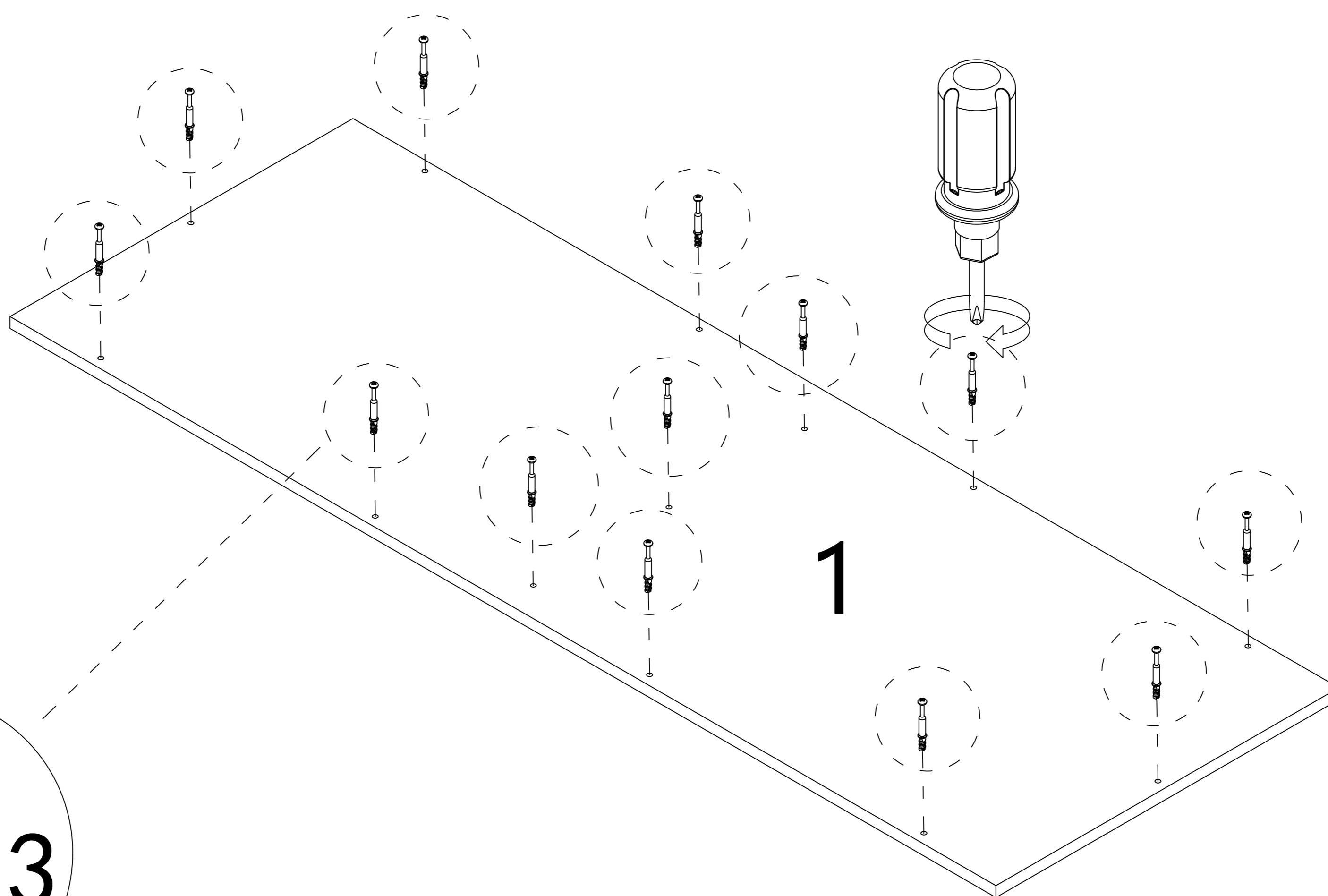


# Step 5

A

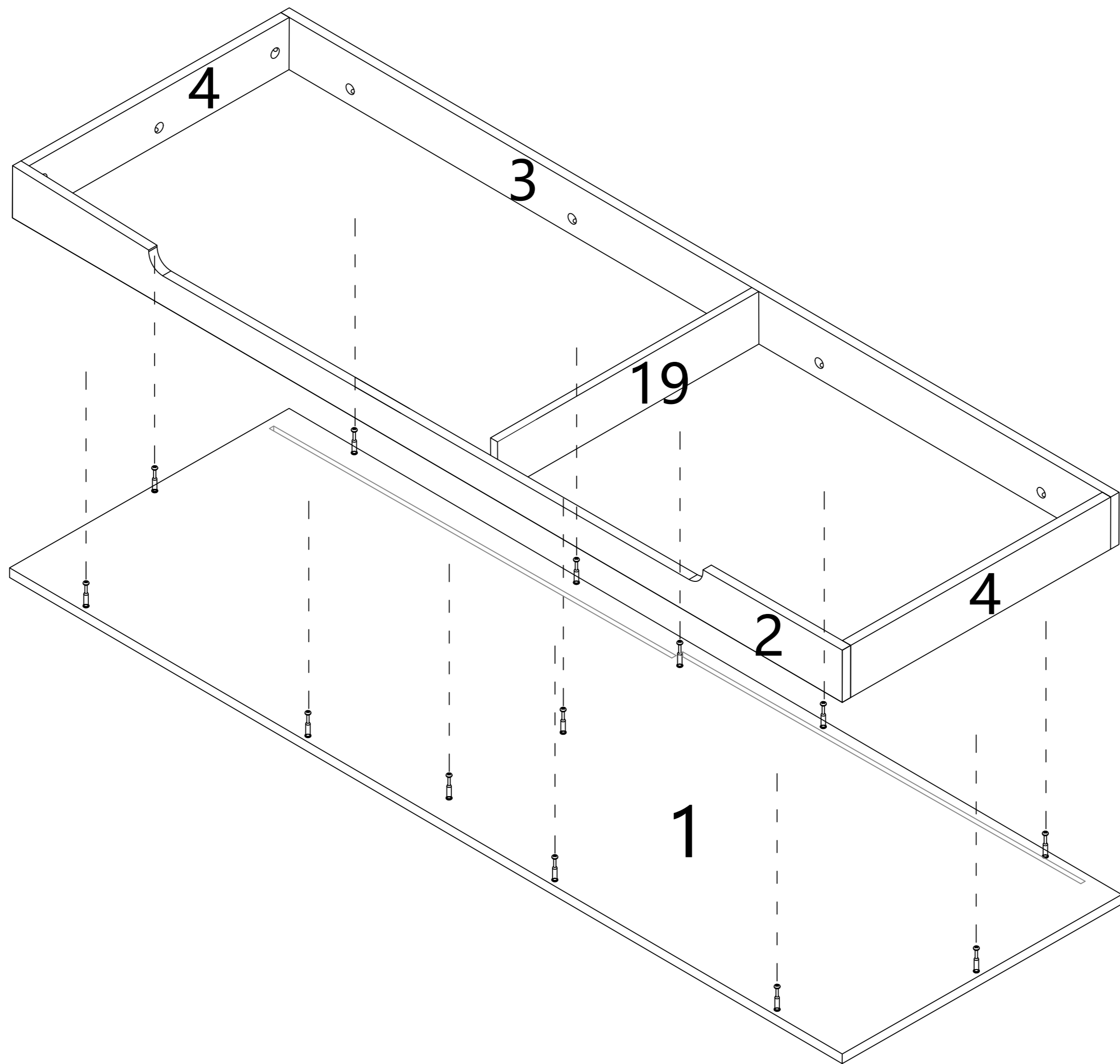


x13

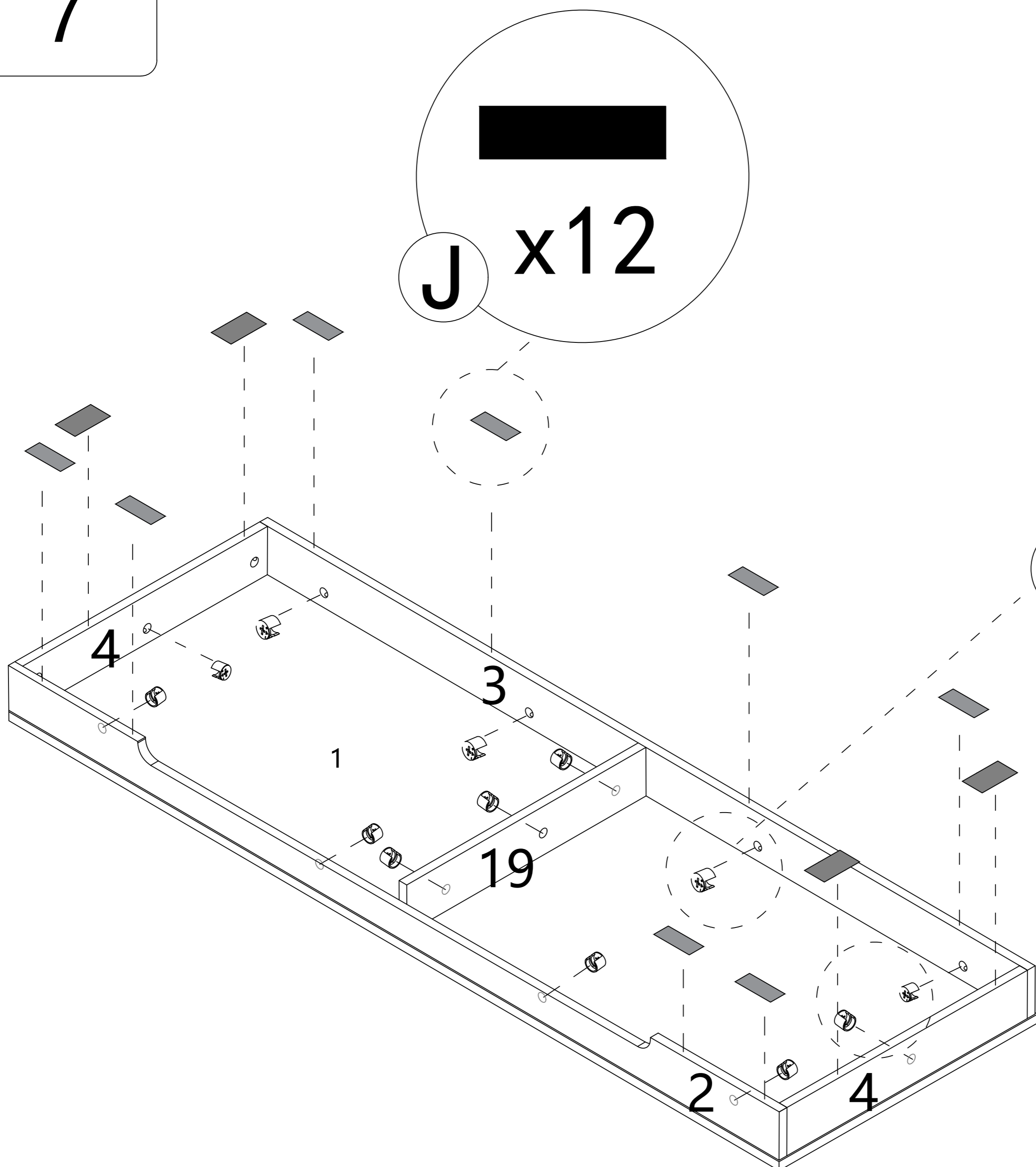


7

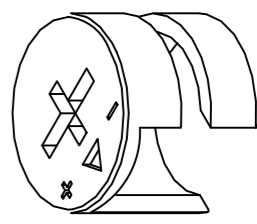
# Step 6

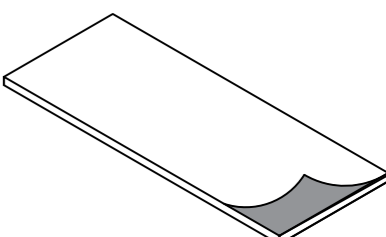


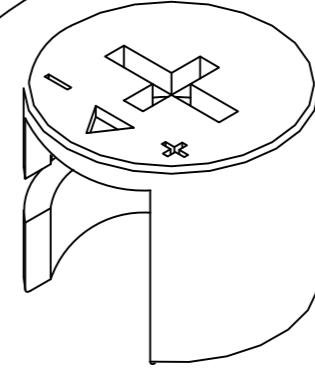
# Step 7

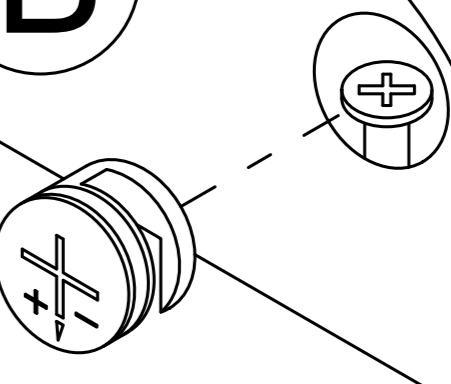
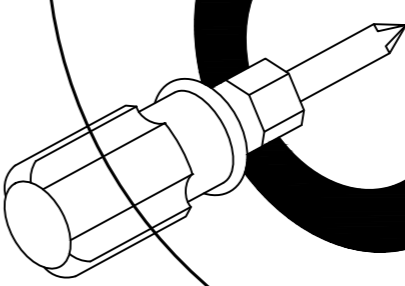
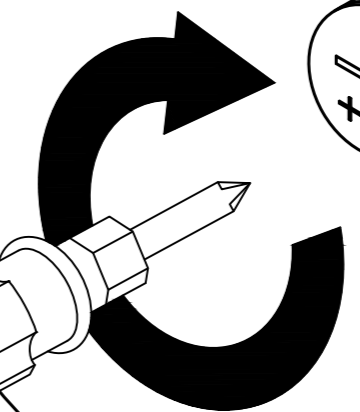


**J** x12

**B**  x13

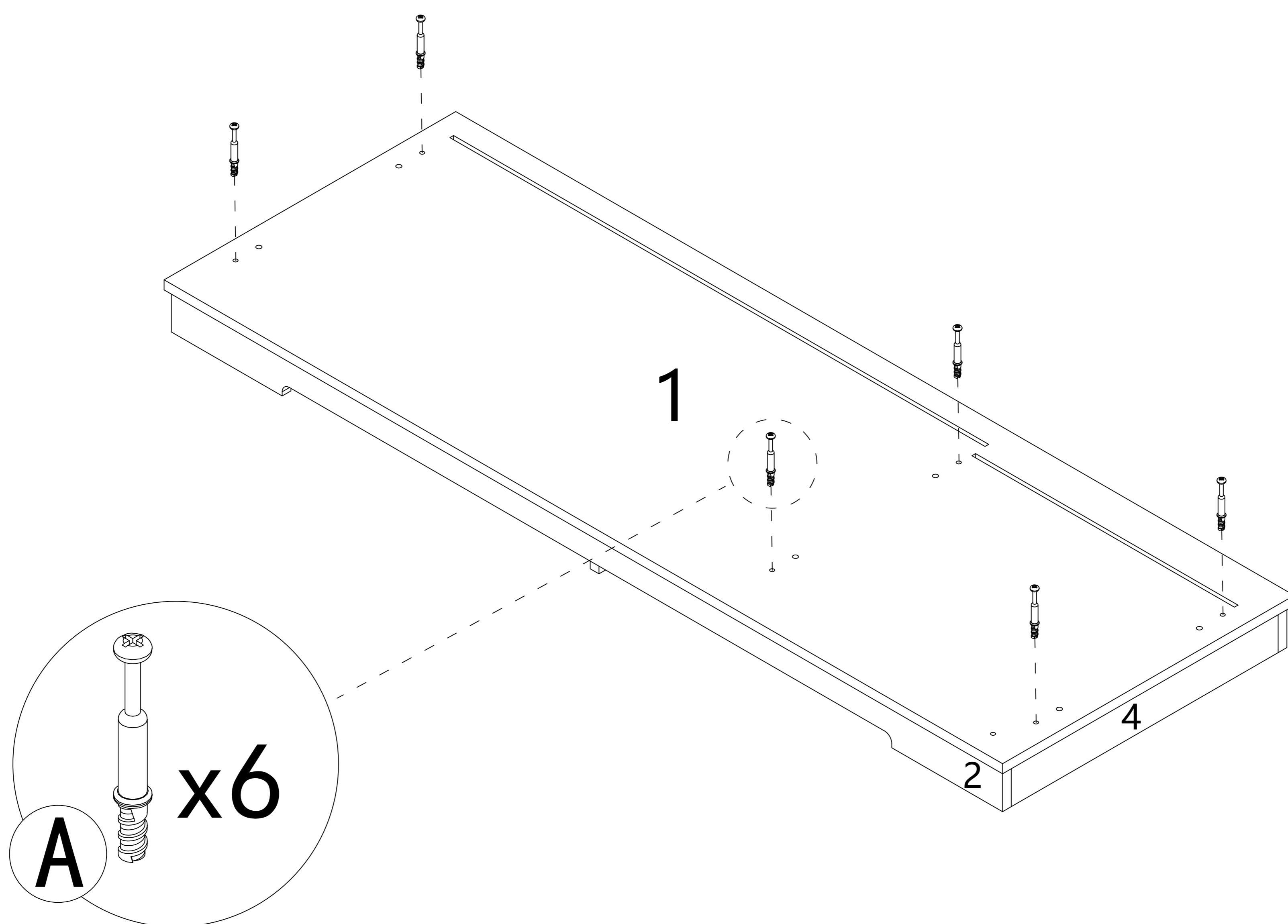
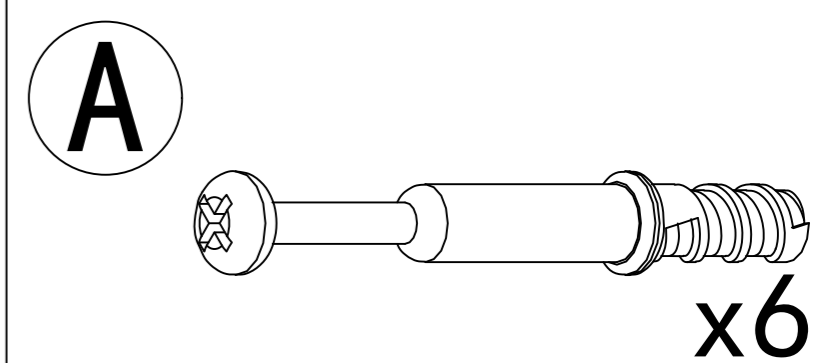
**B**  x12

**B**  x13

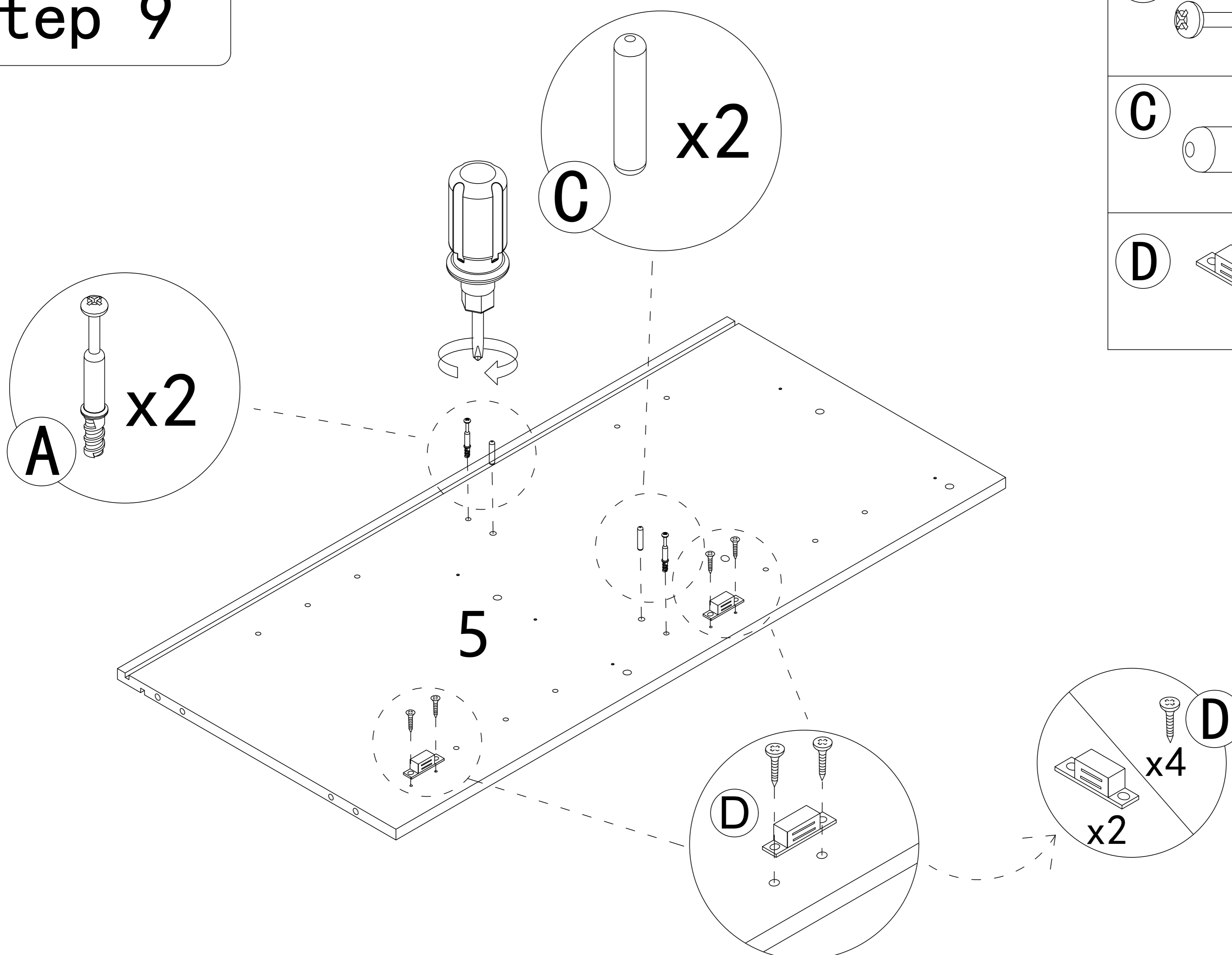
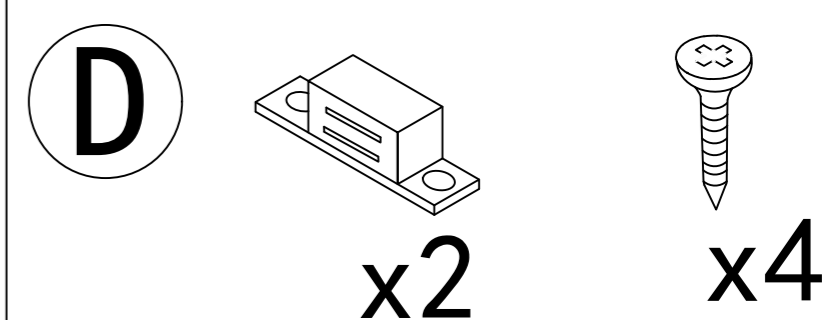
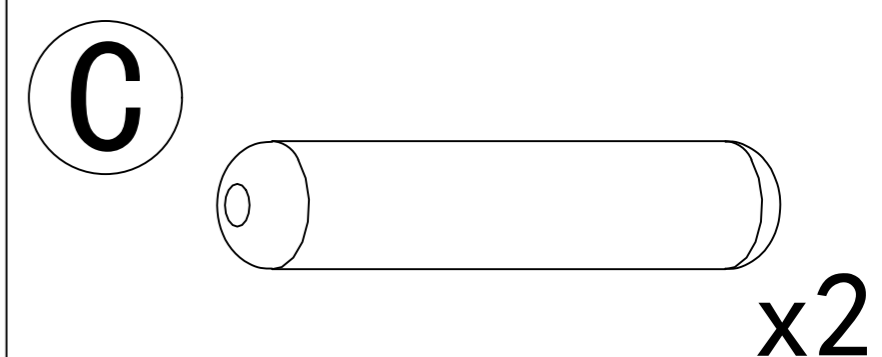
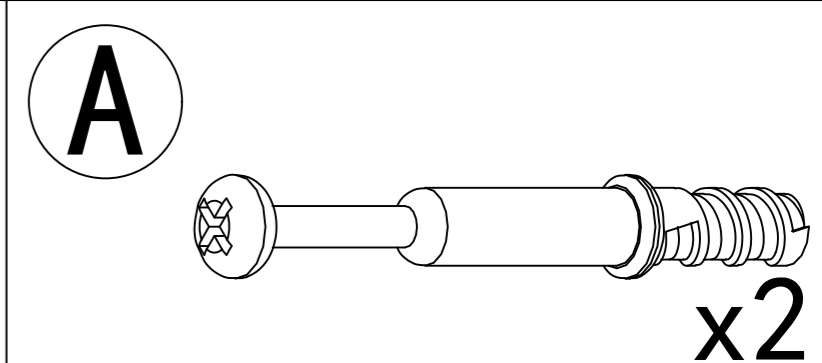
**B**   

**8**

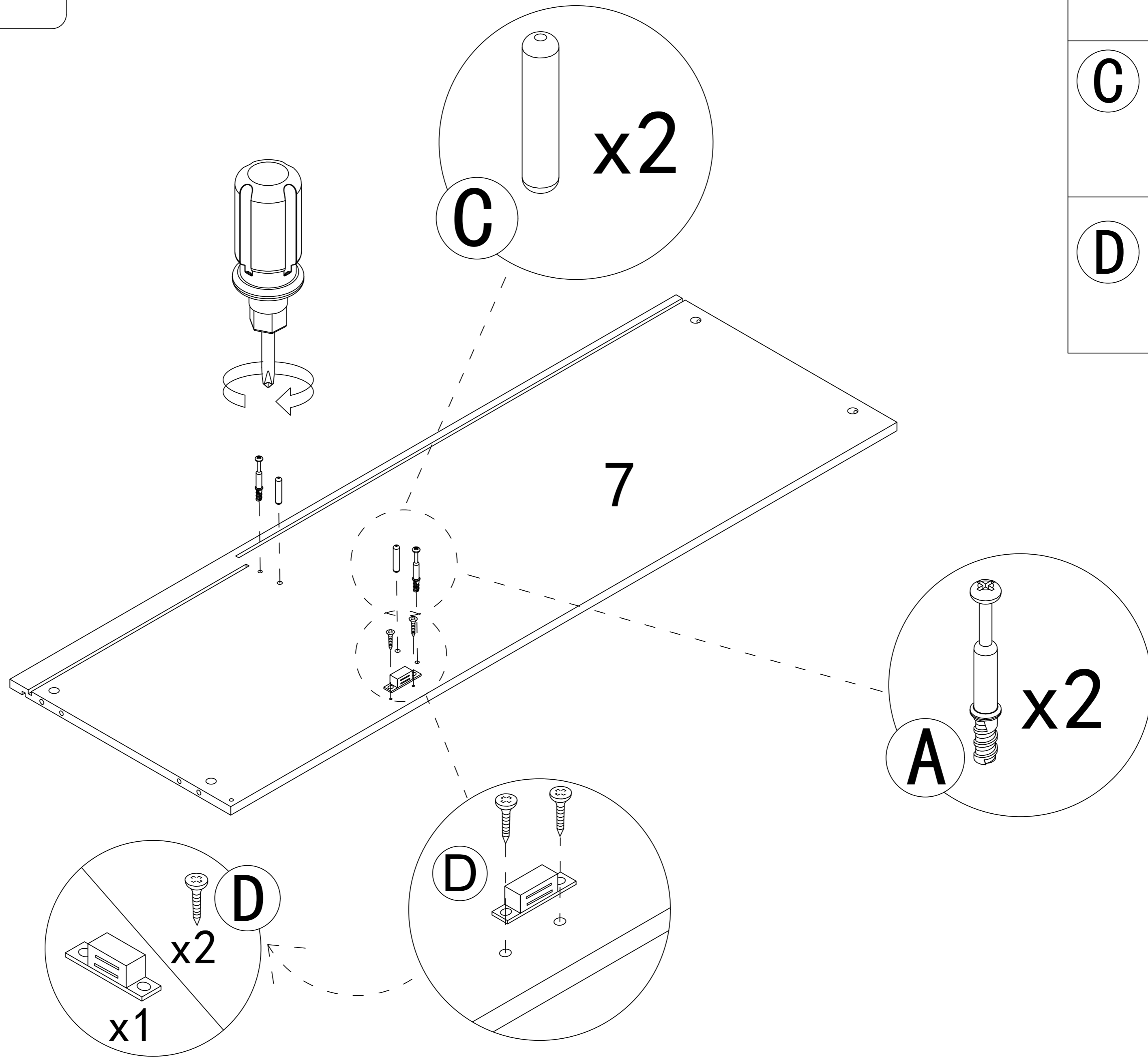
# Step 8



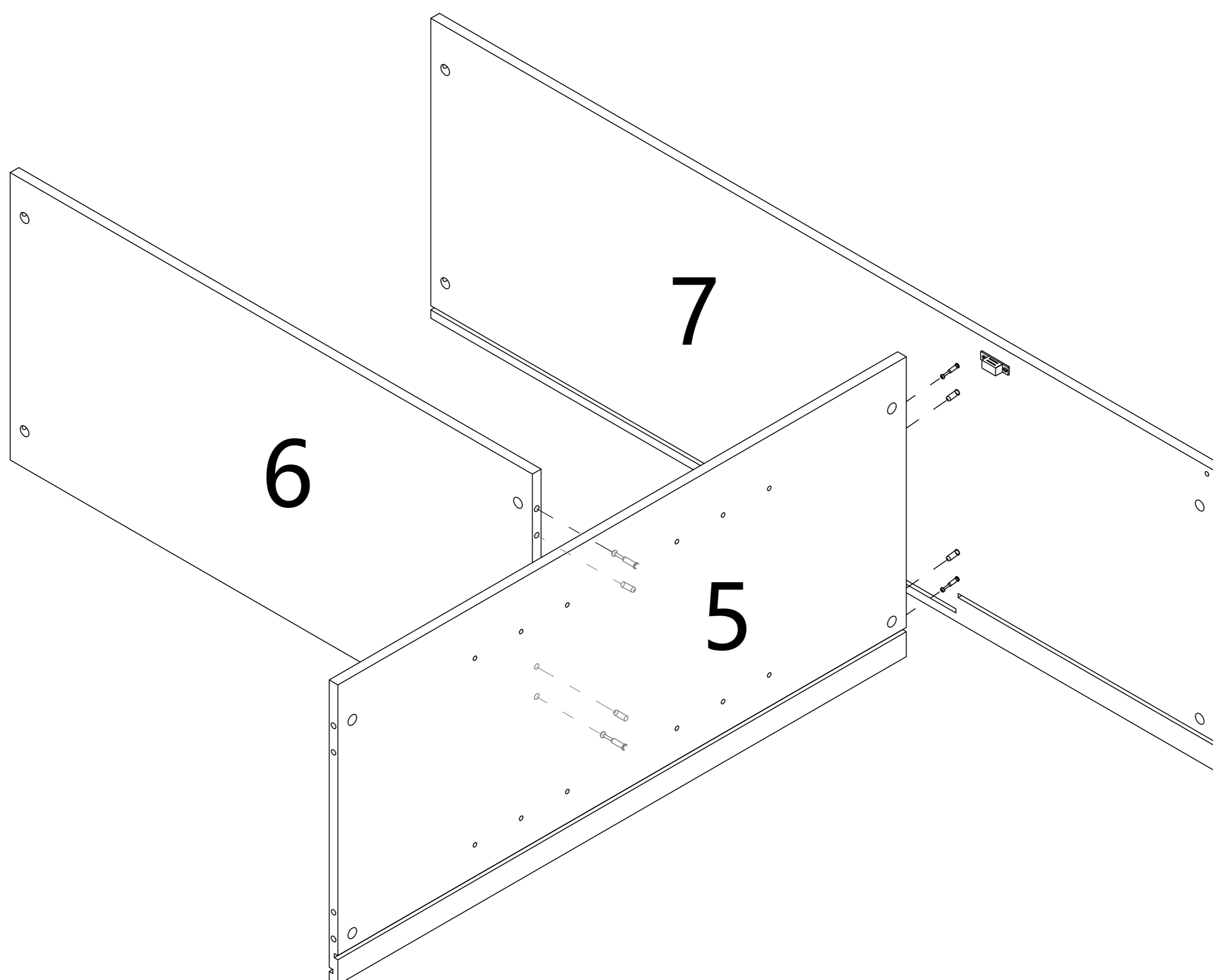
# Step 9



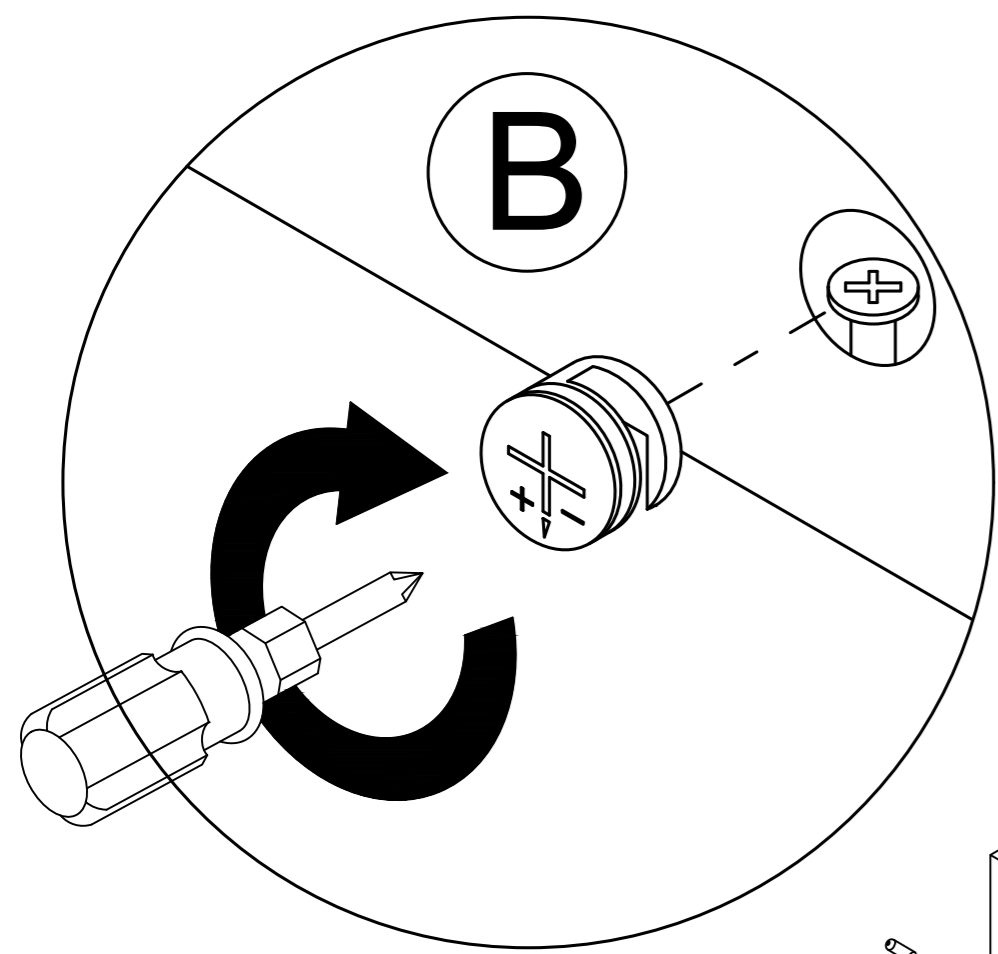
# Step 10

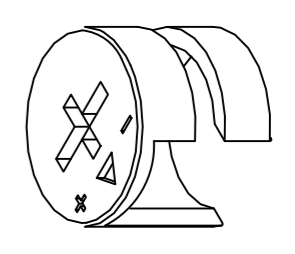
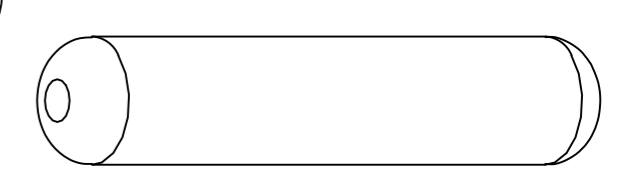


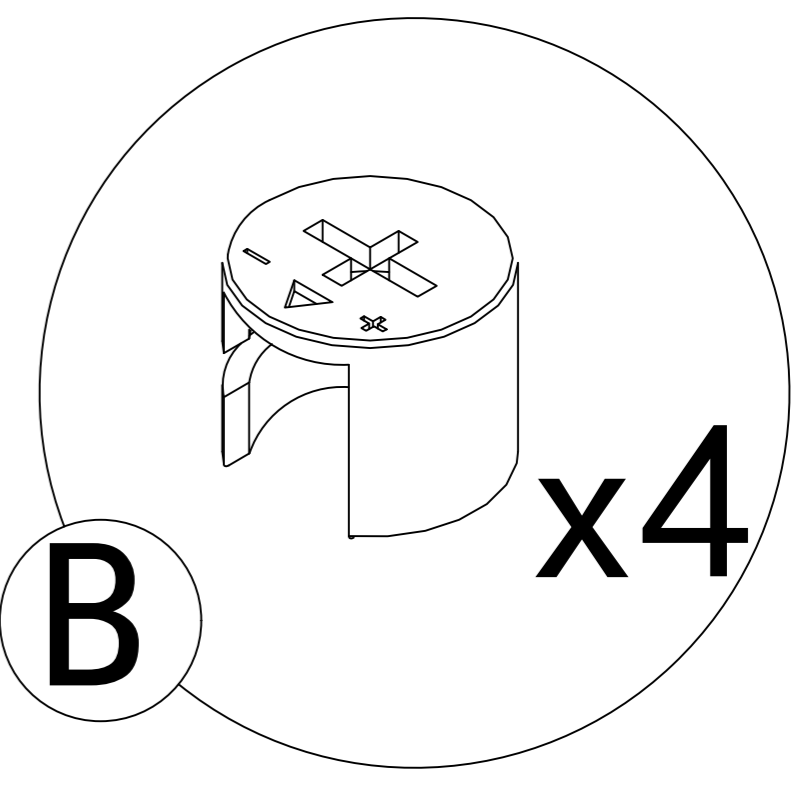
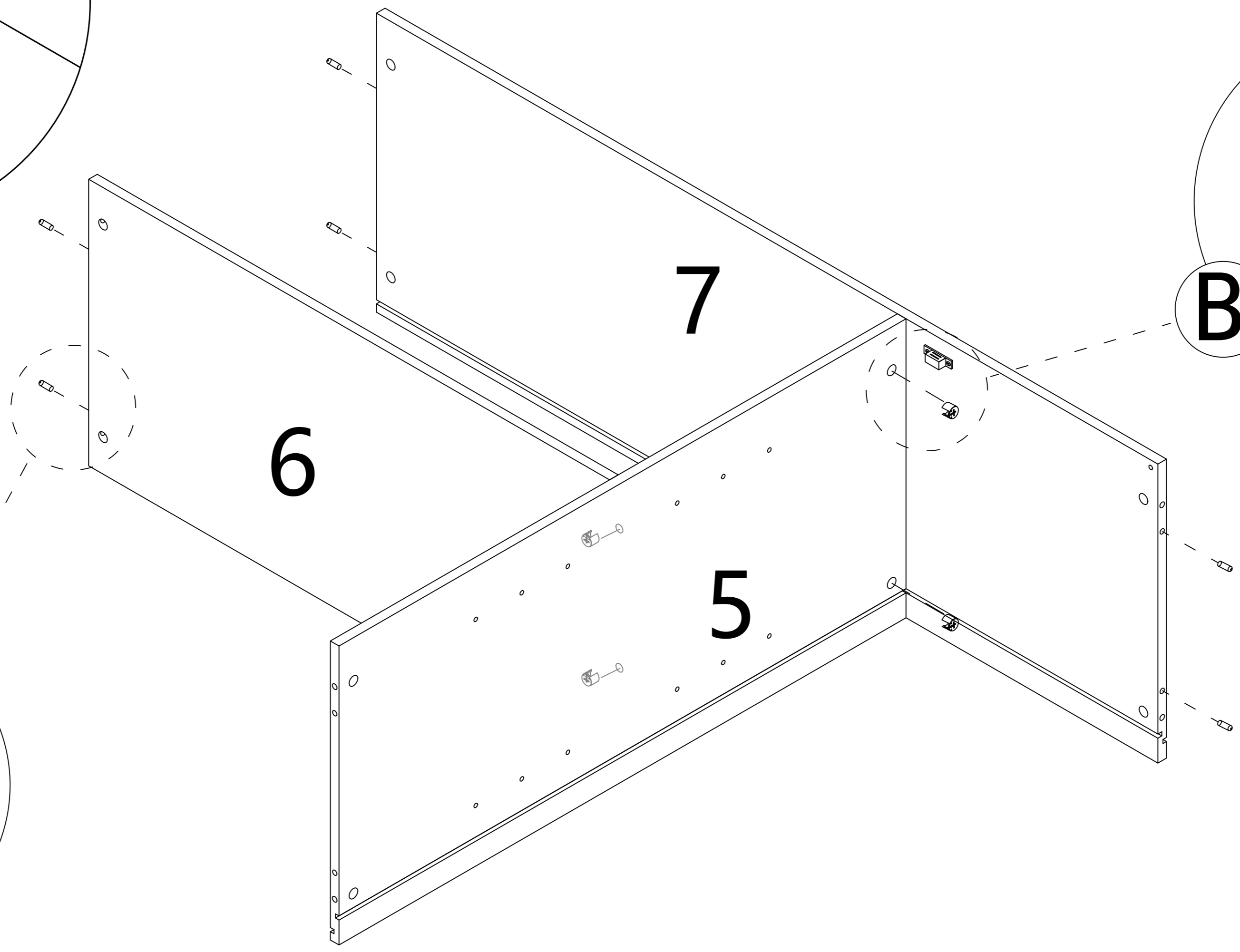
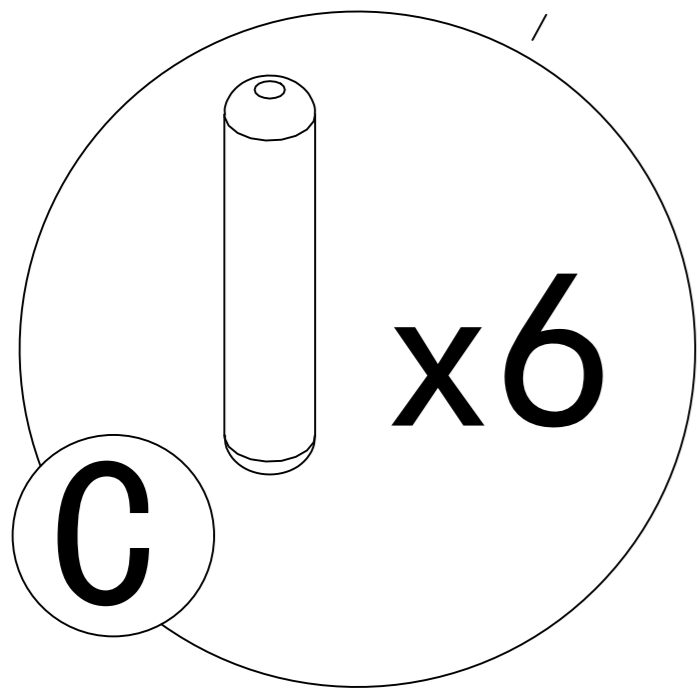
# Step 11



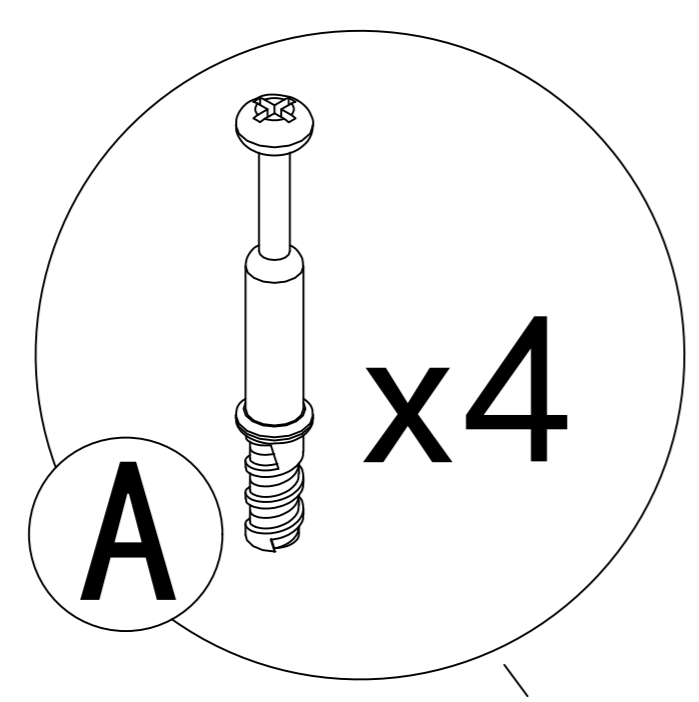
# Step 12

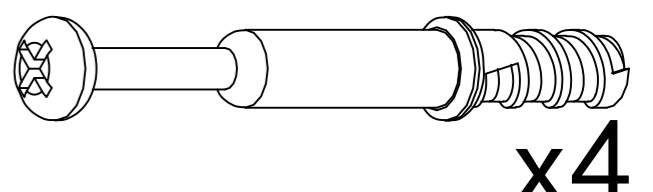
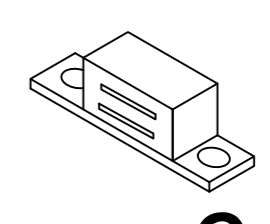
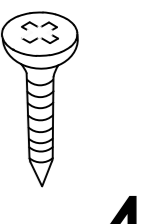
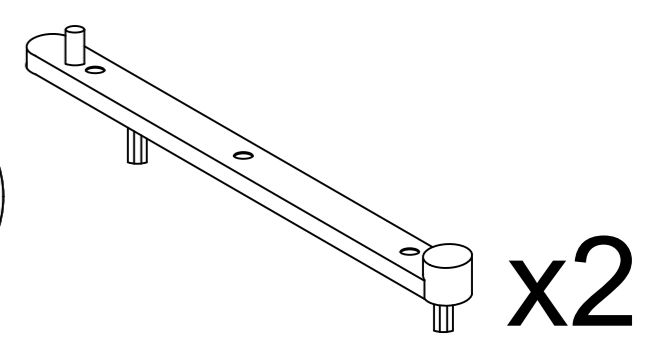
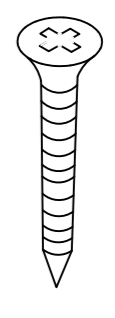


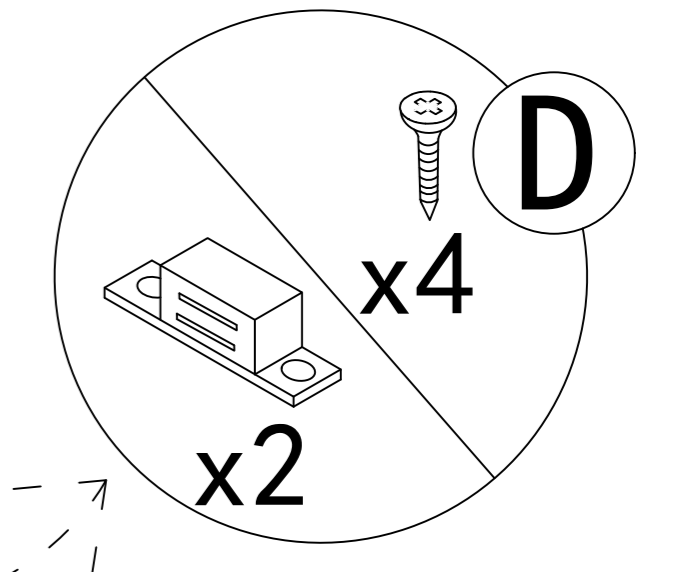
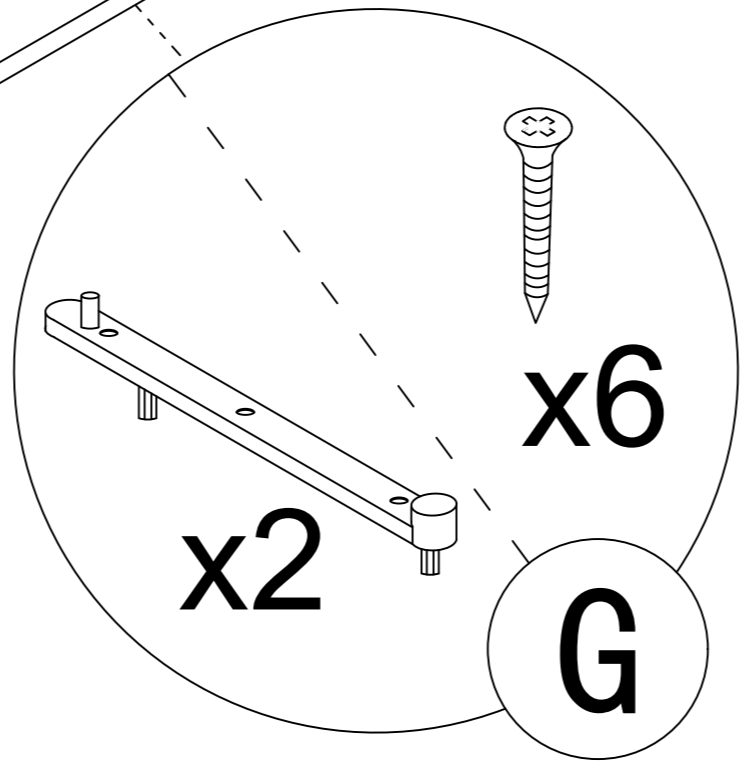
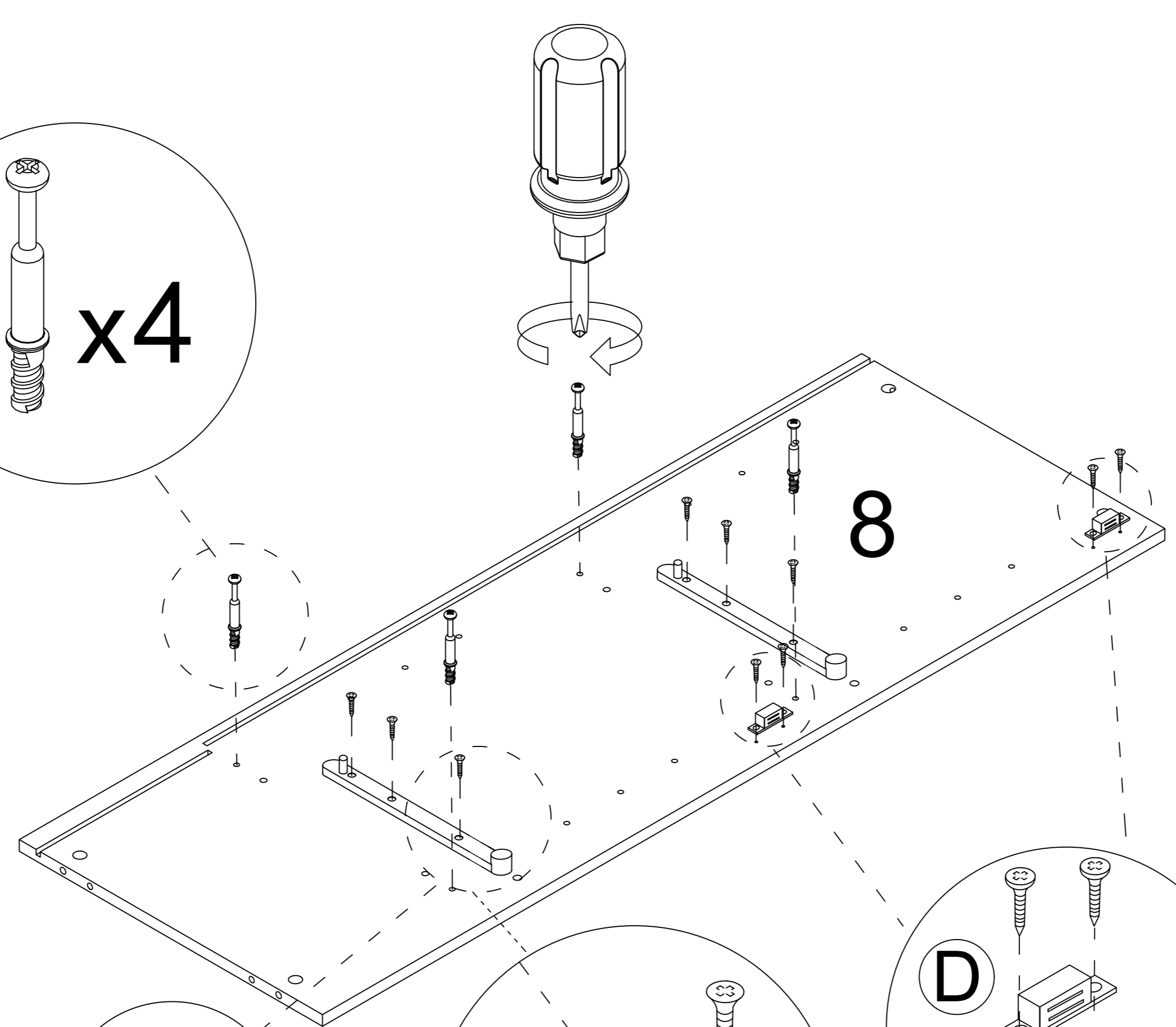
- B**  x4
- C**  x6



# Step 13

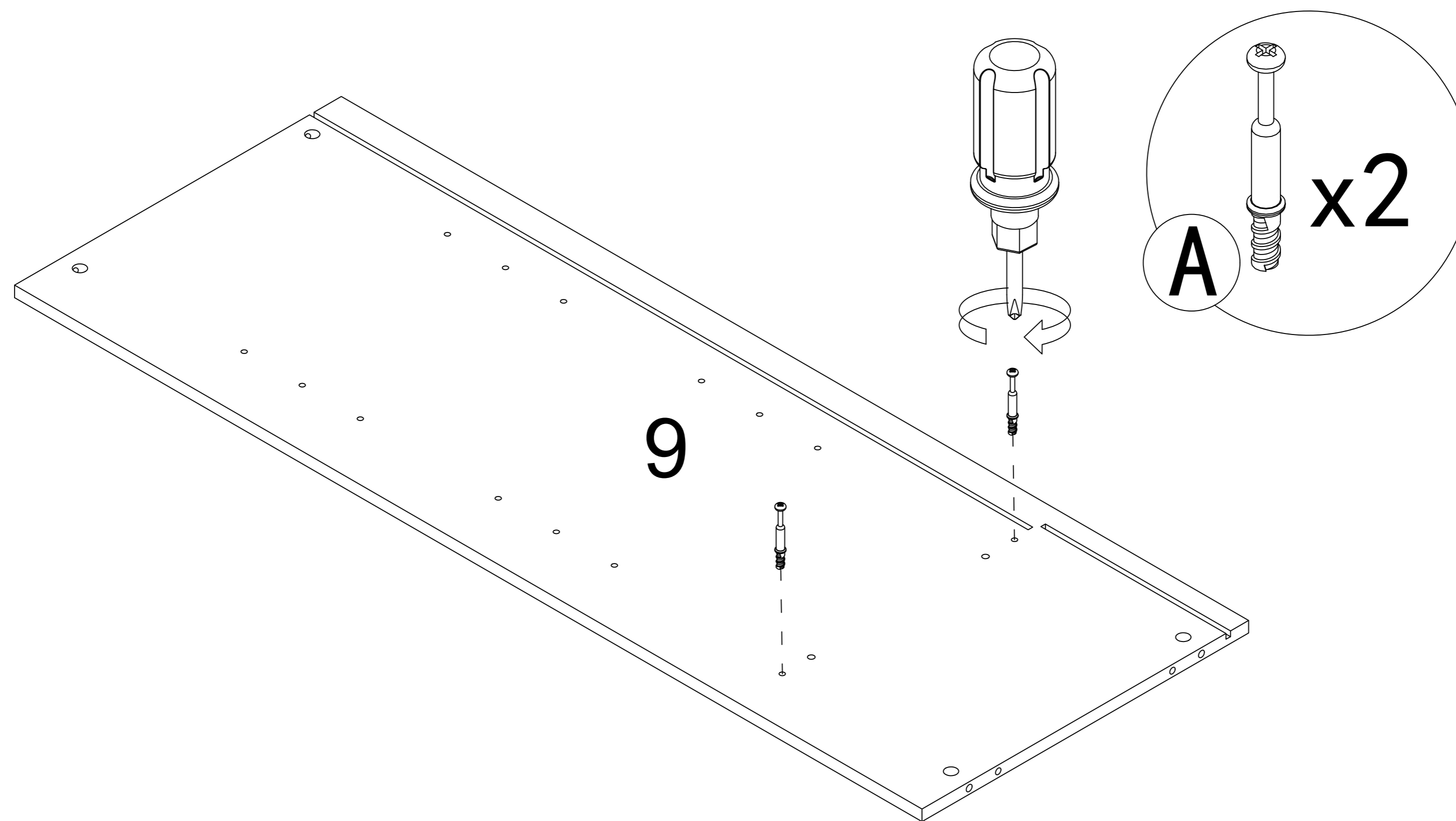
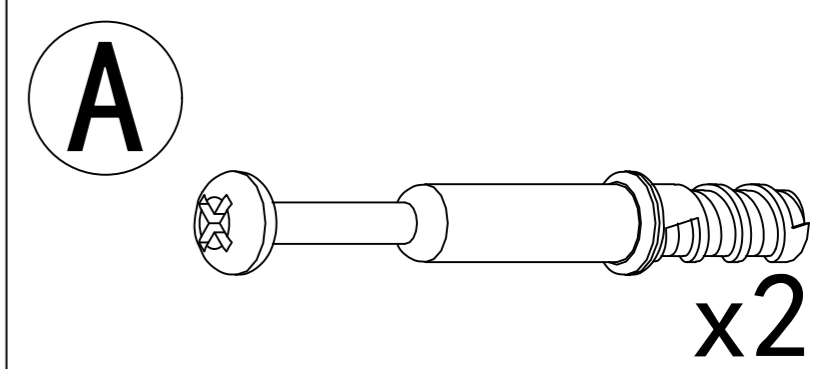


- A**  x4
- D**  x2  x4
- G**  x2
-  x6

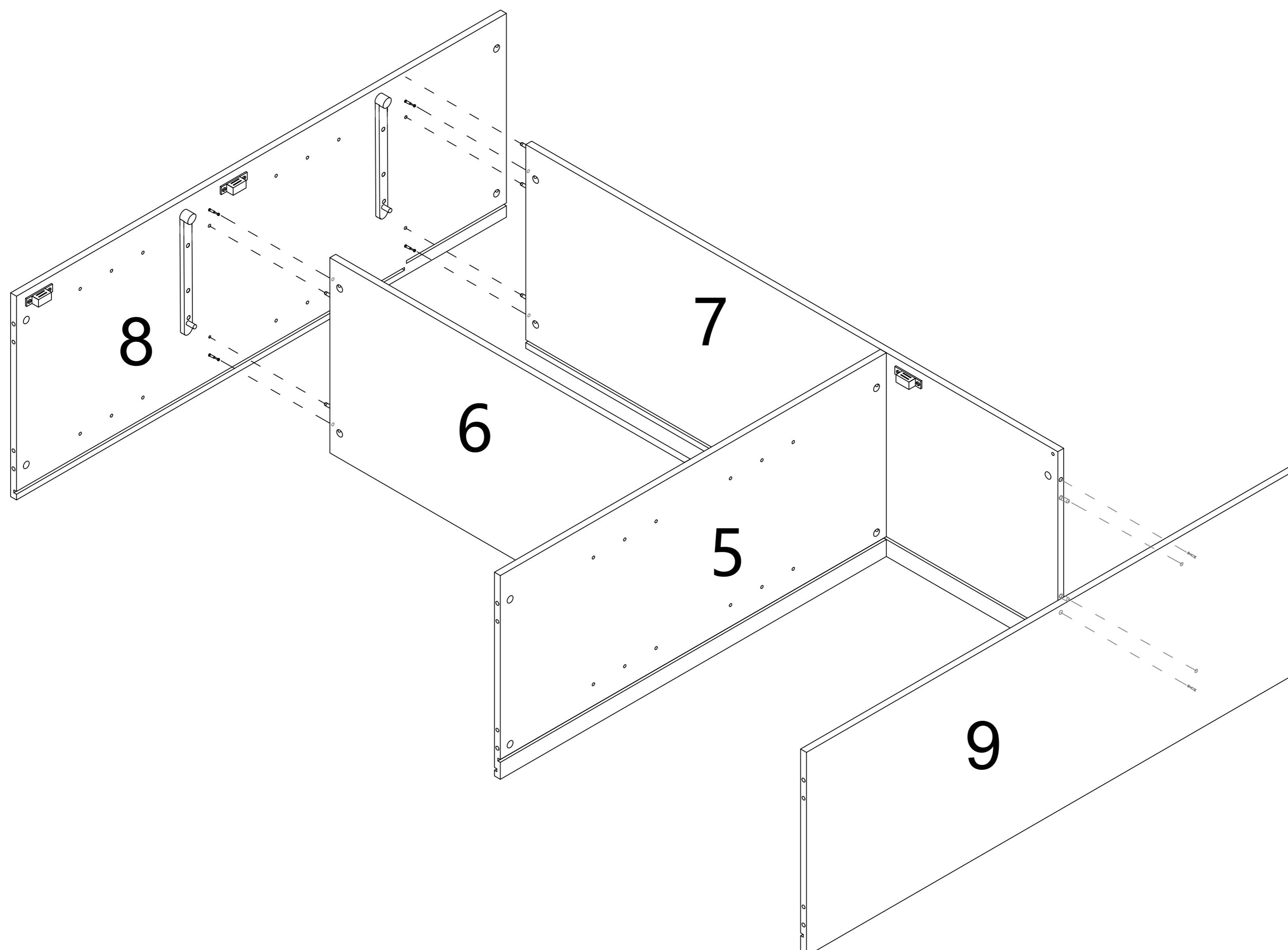


Pay attention to the direction of the guide rail

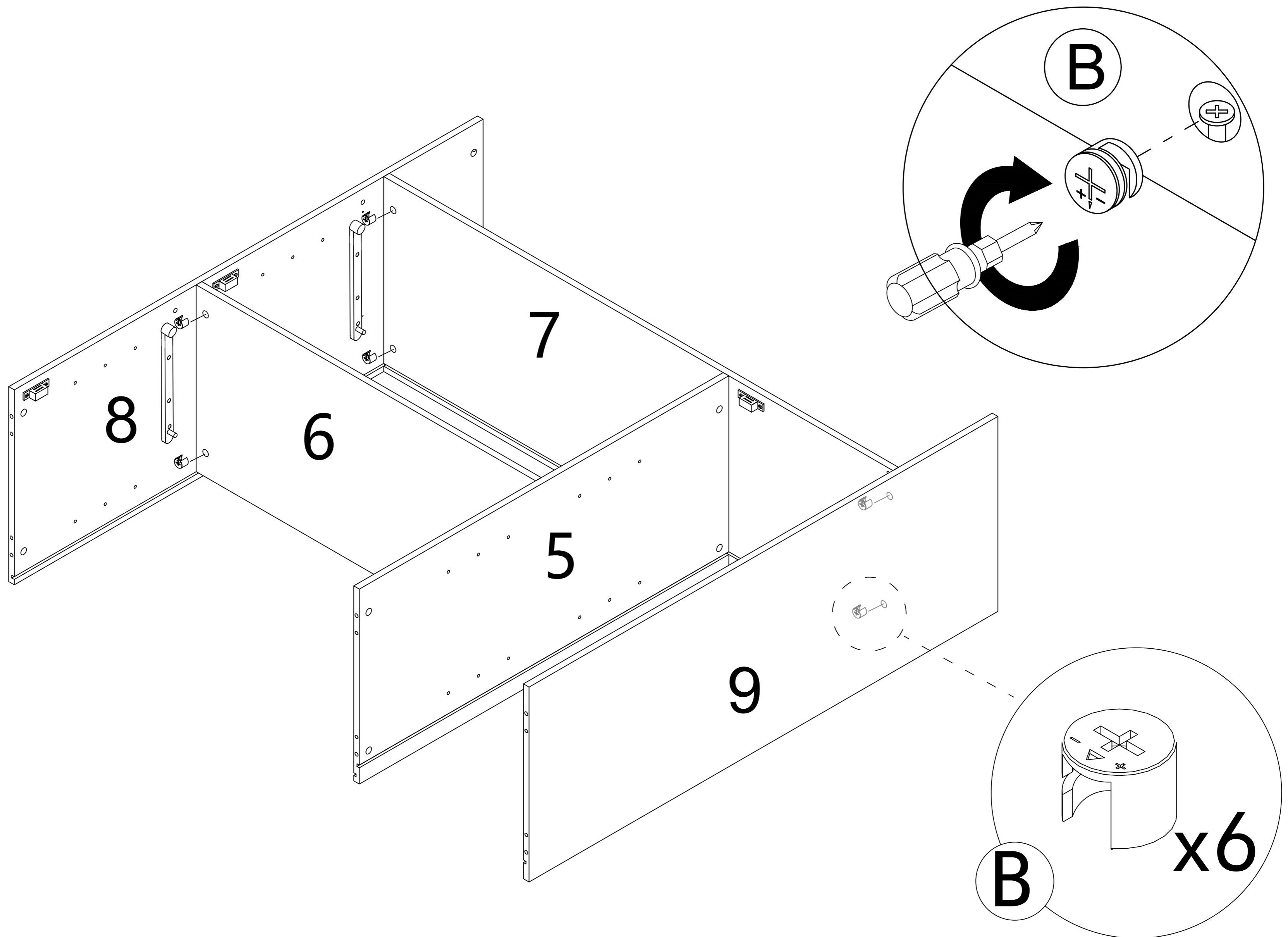
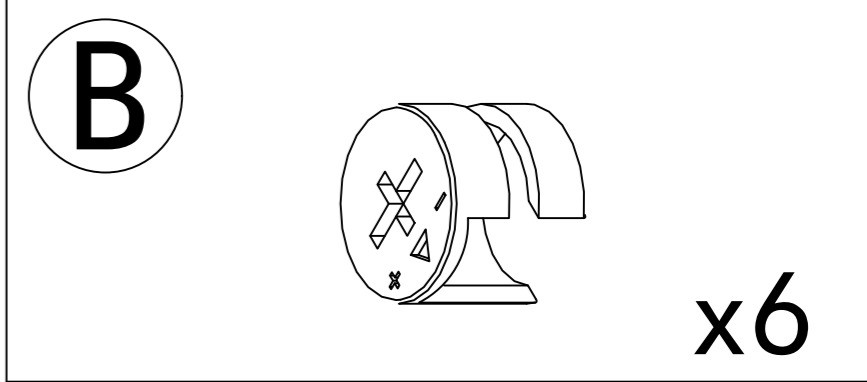
# Step 14



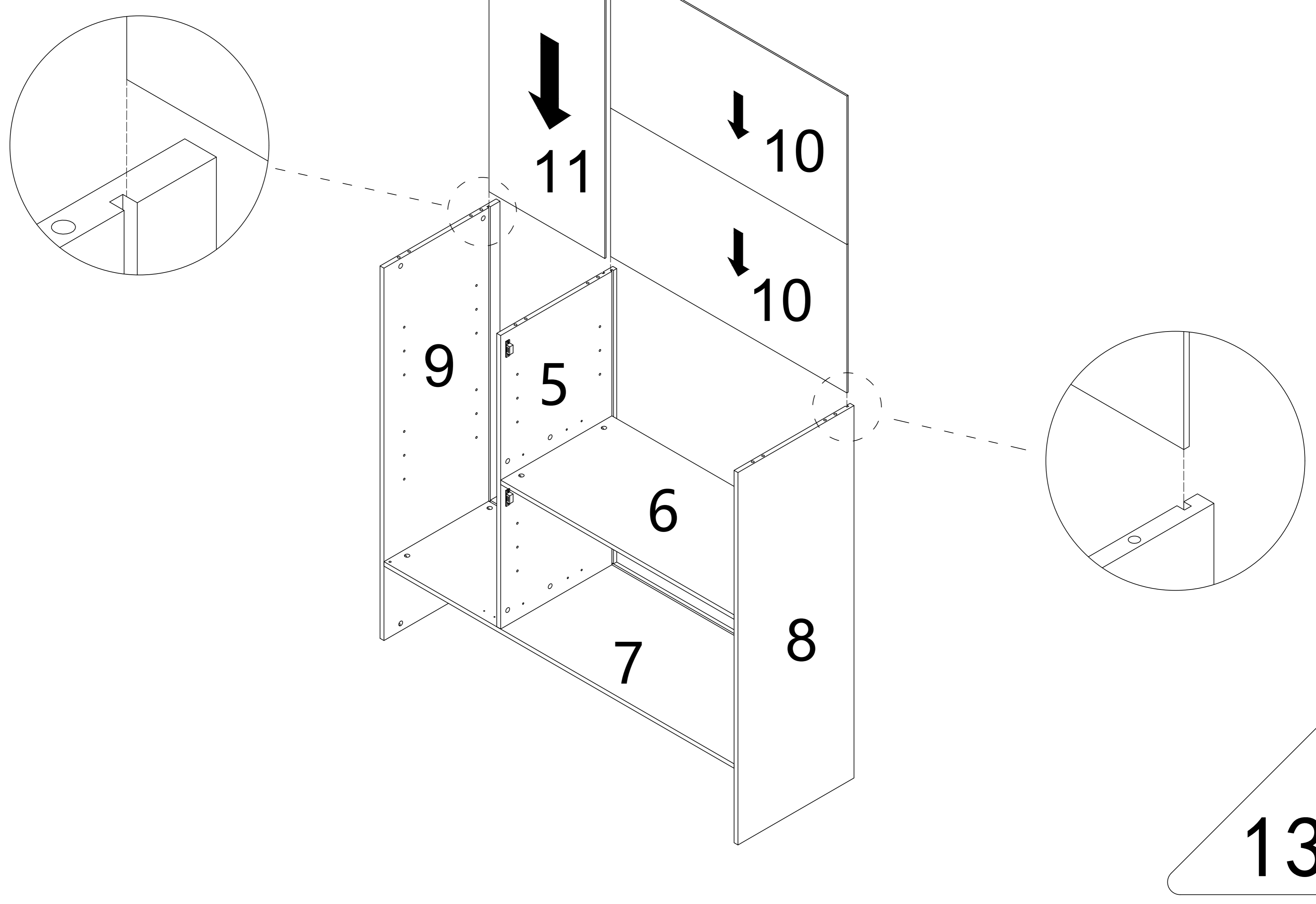
# Step 15



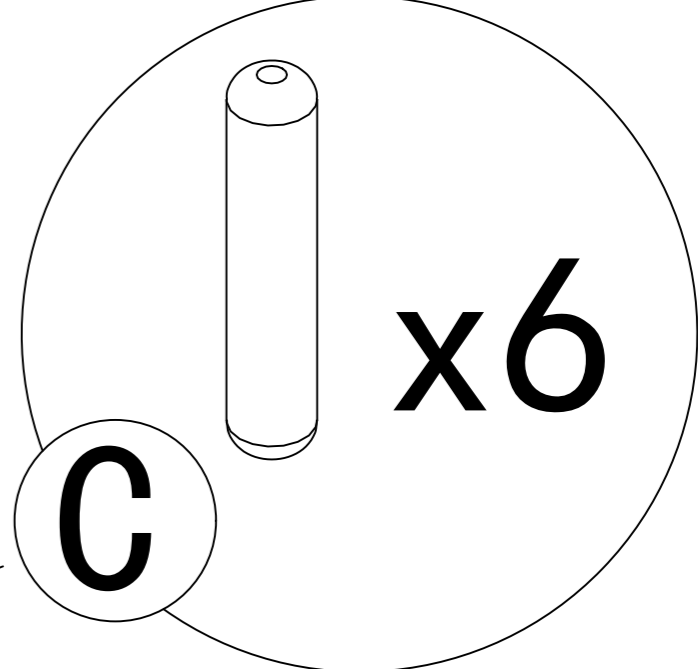
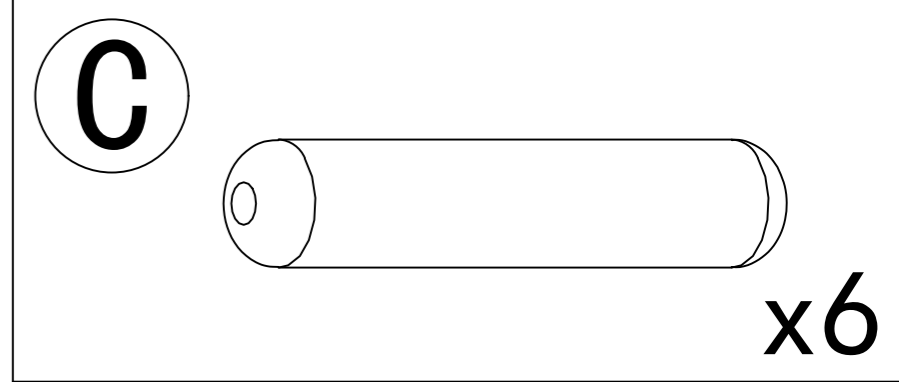
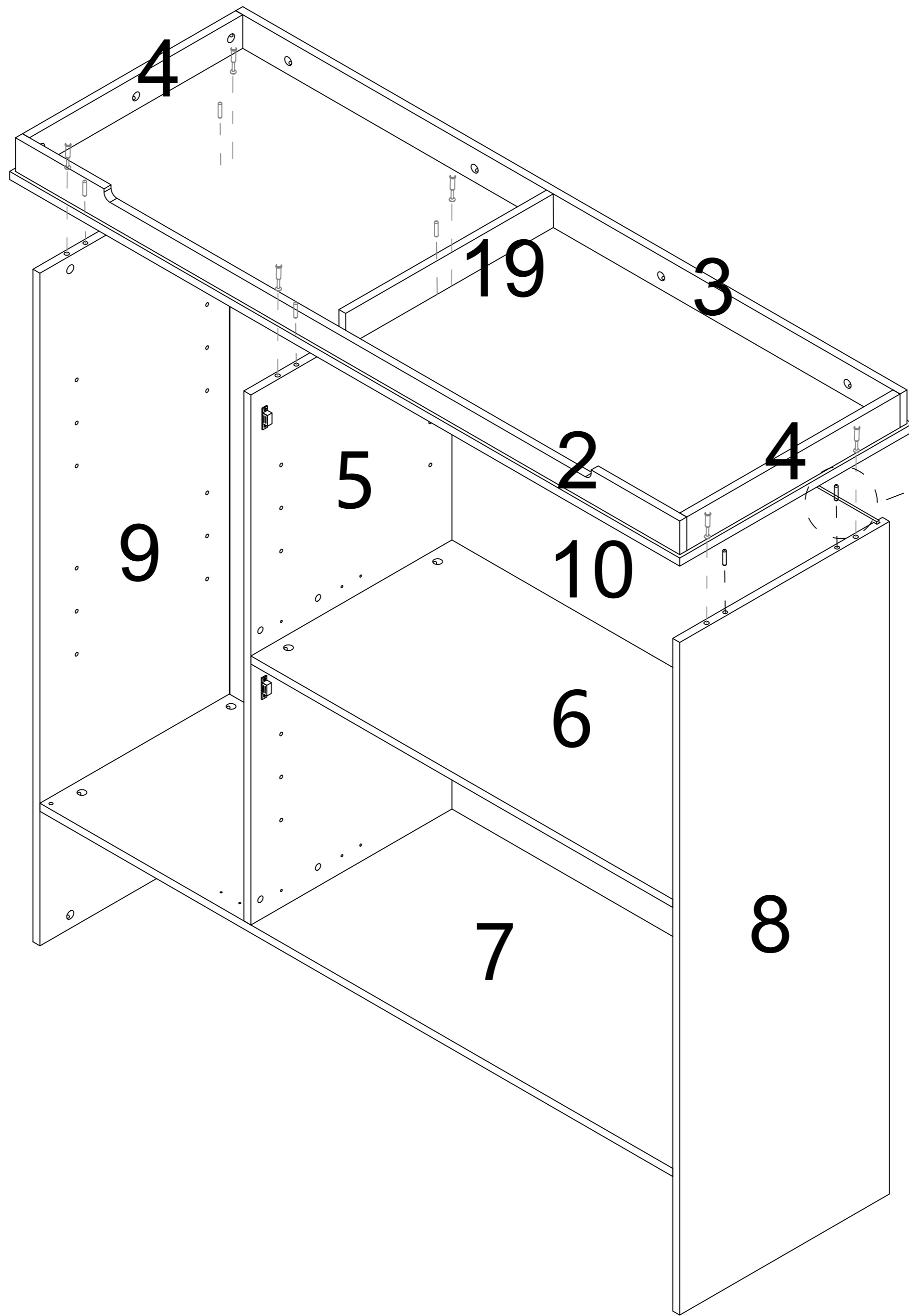
# Step 16



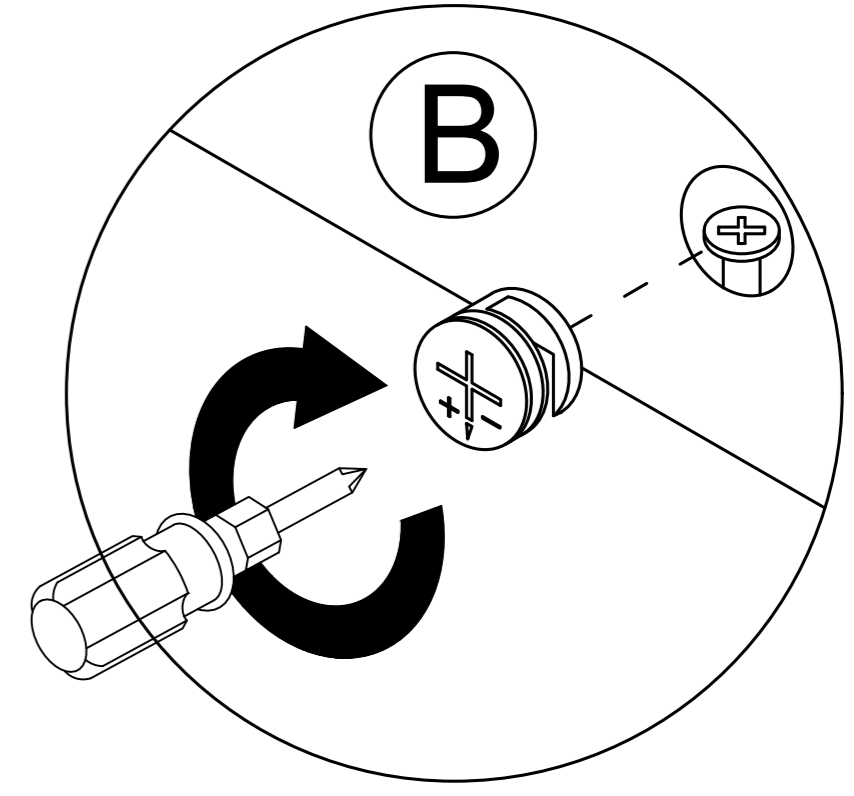
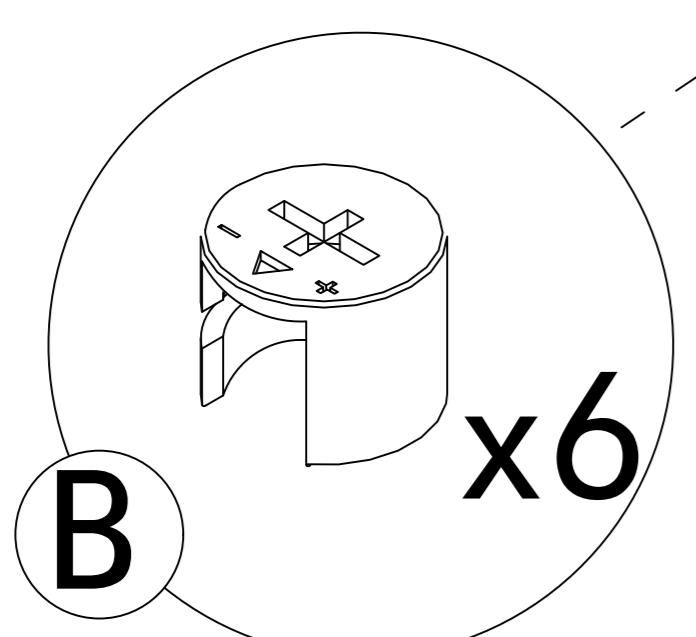
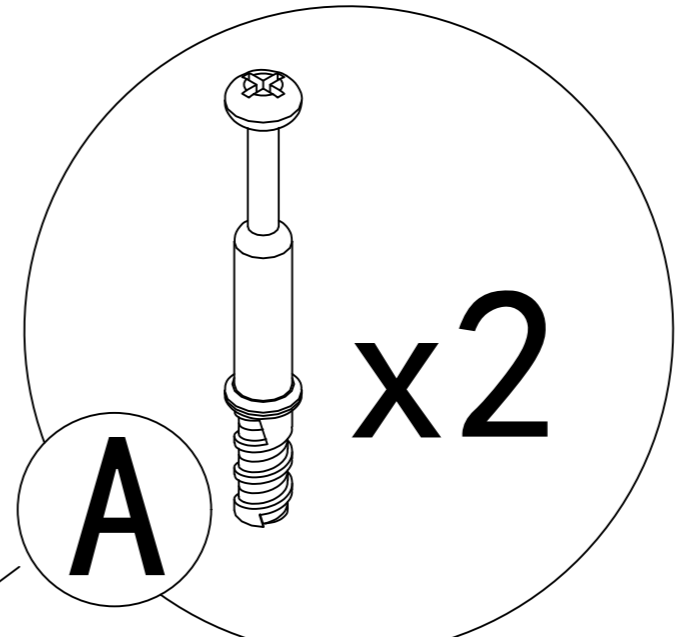
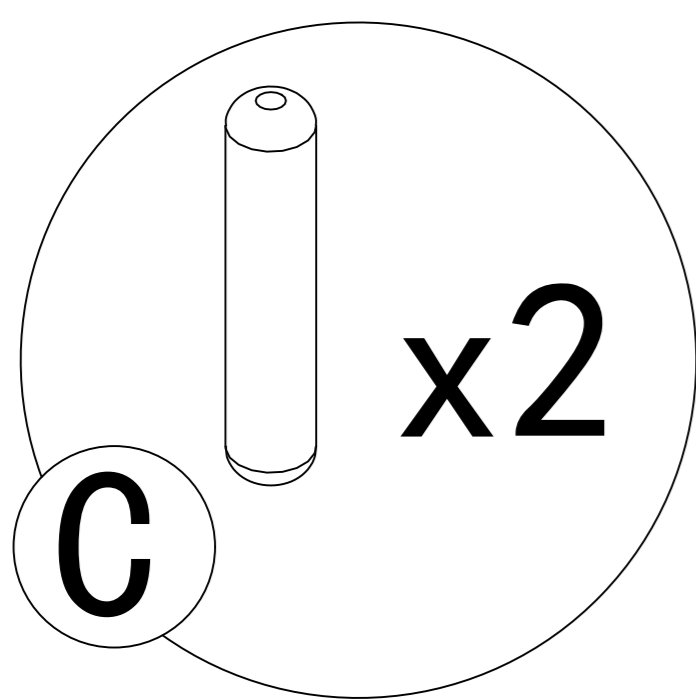
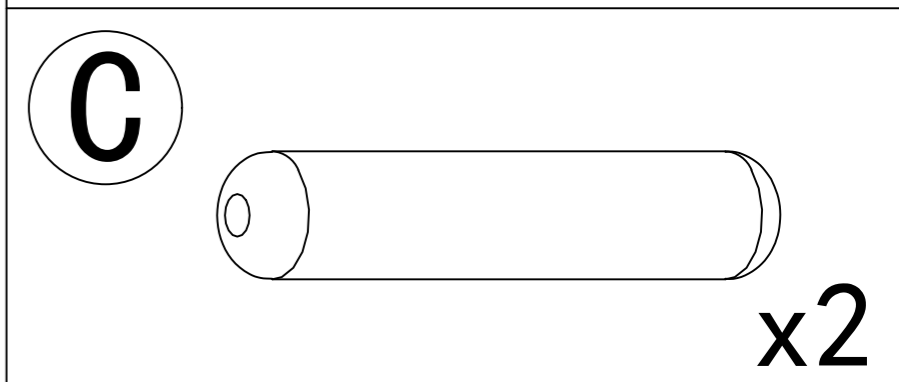
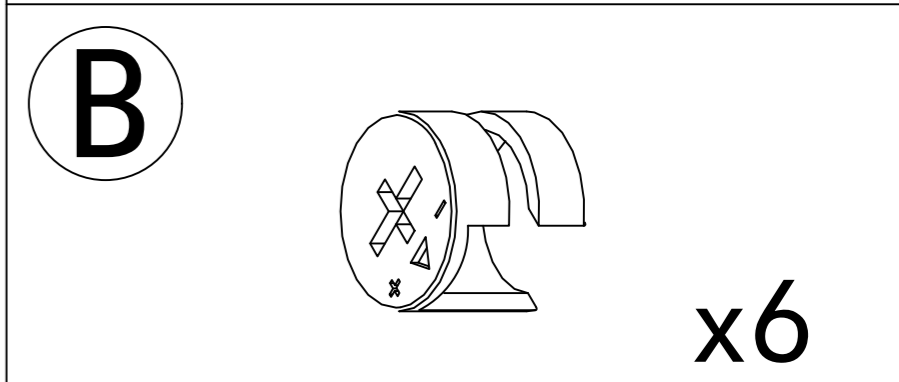
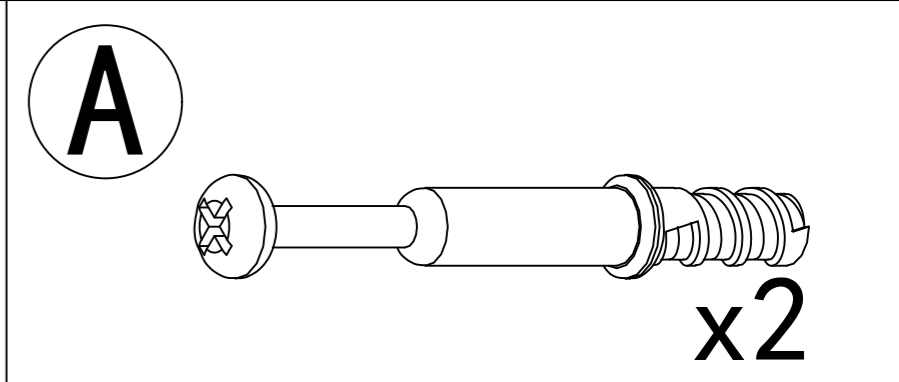
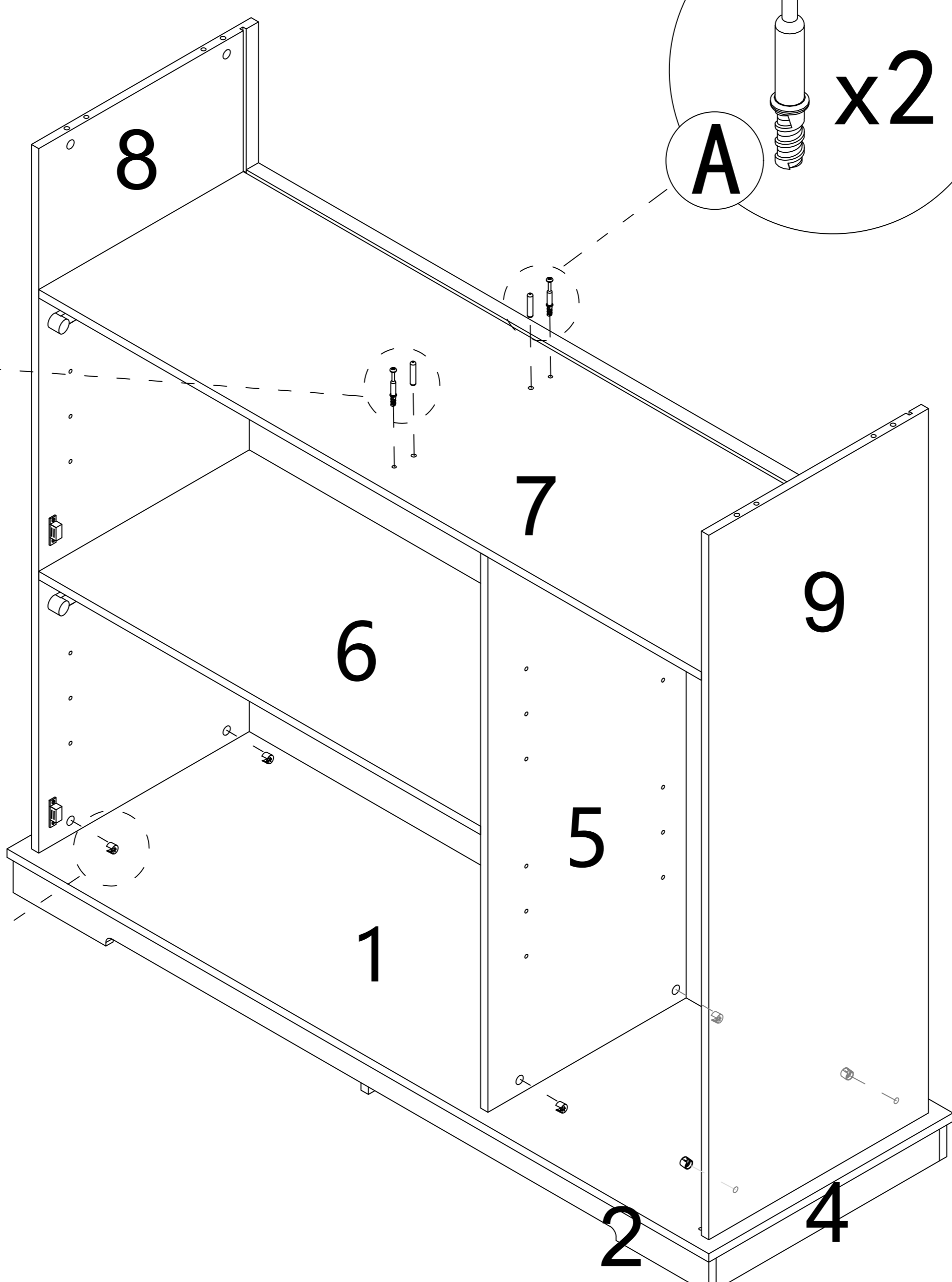
# Step 17



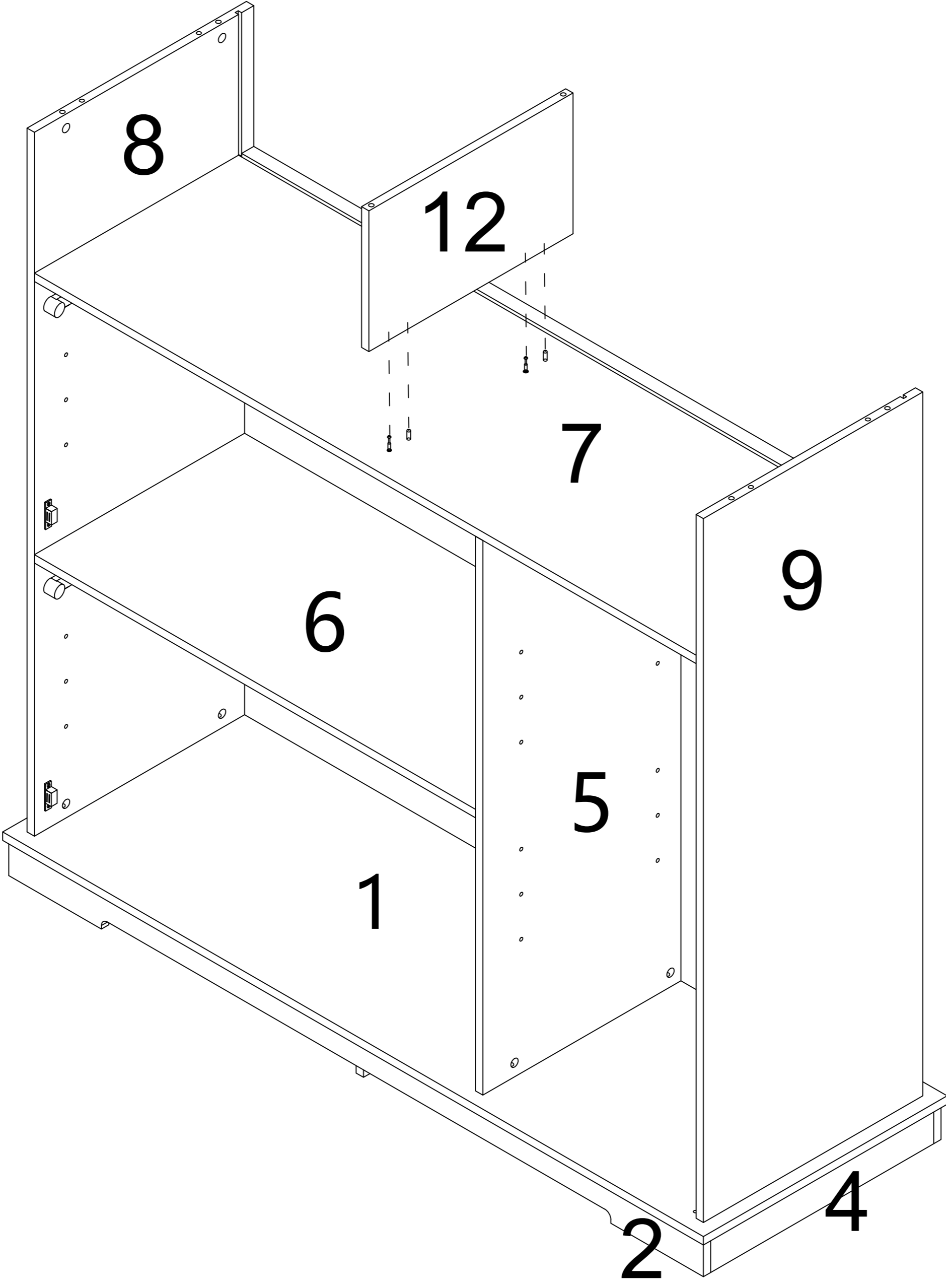
# Step 18



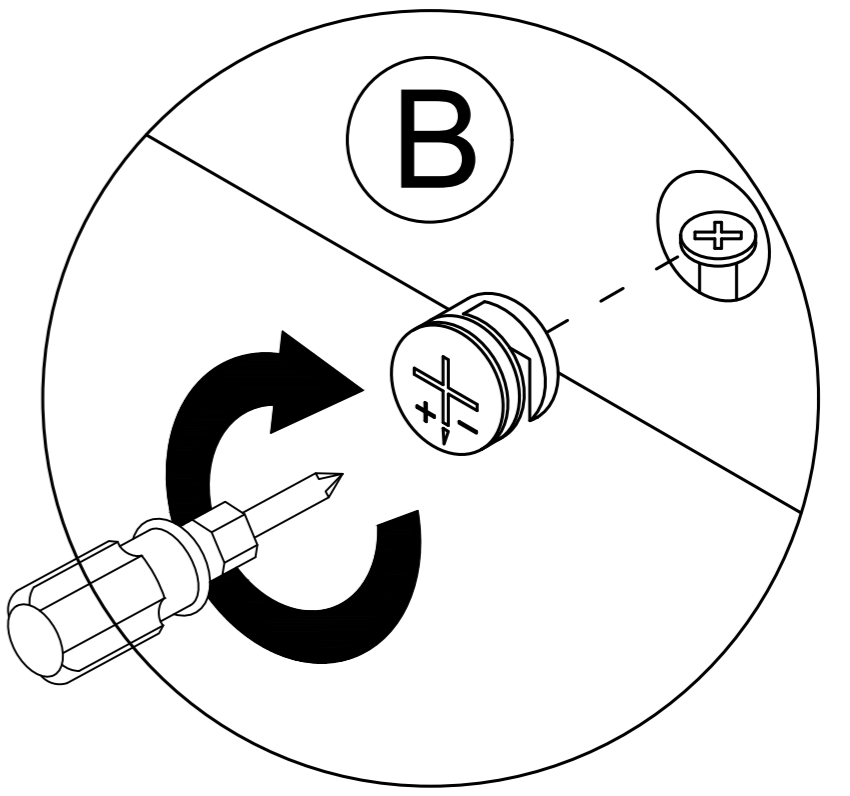
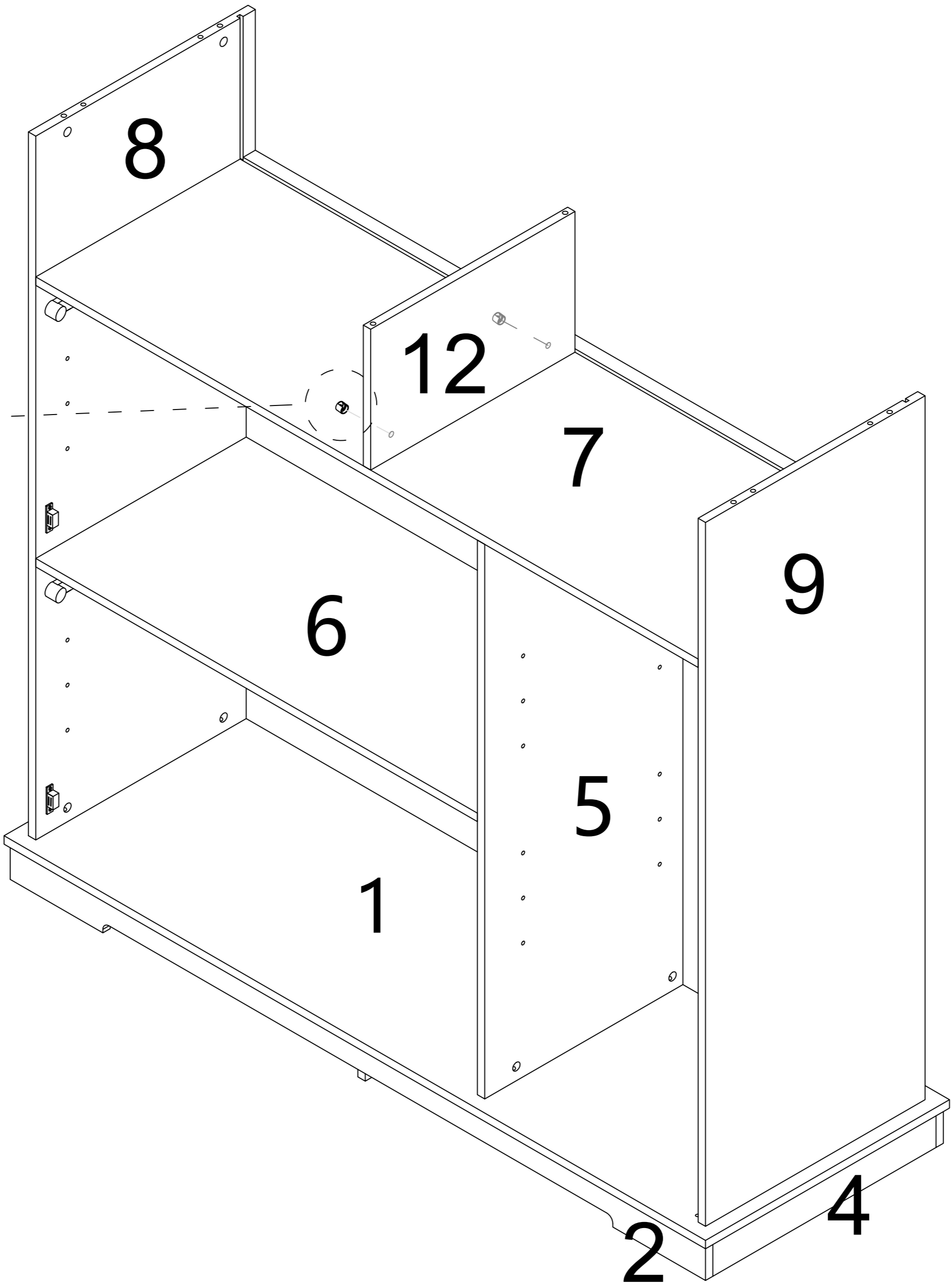
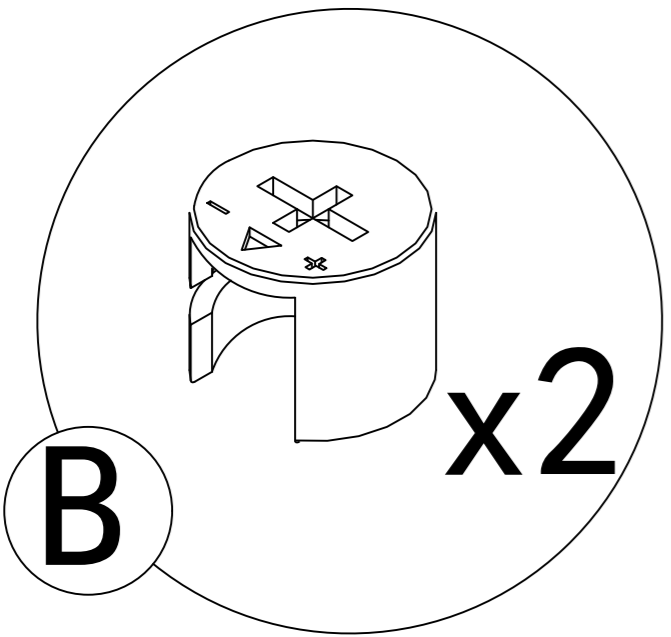
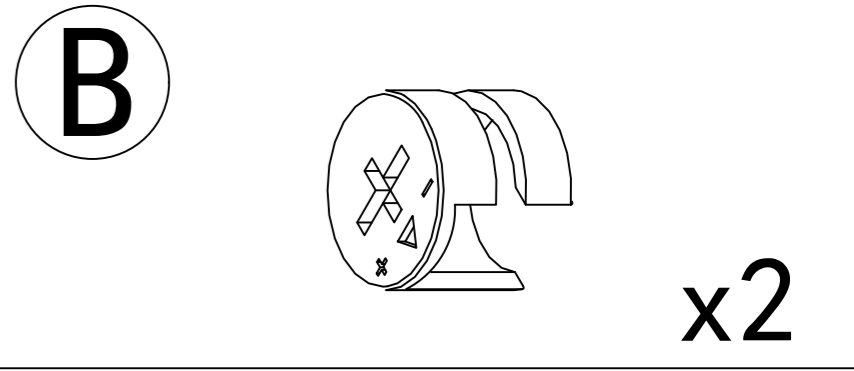
# Step 19



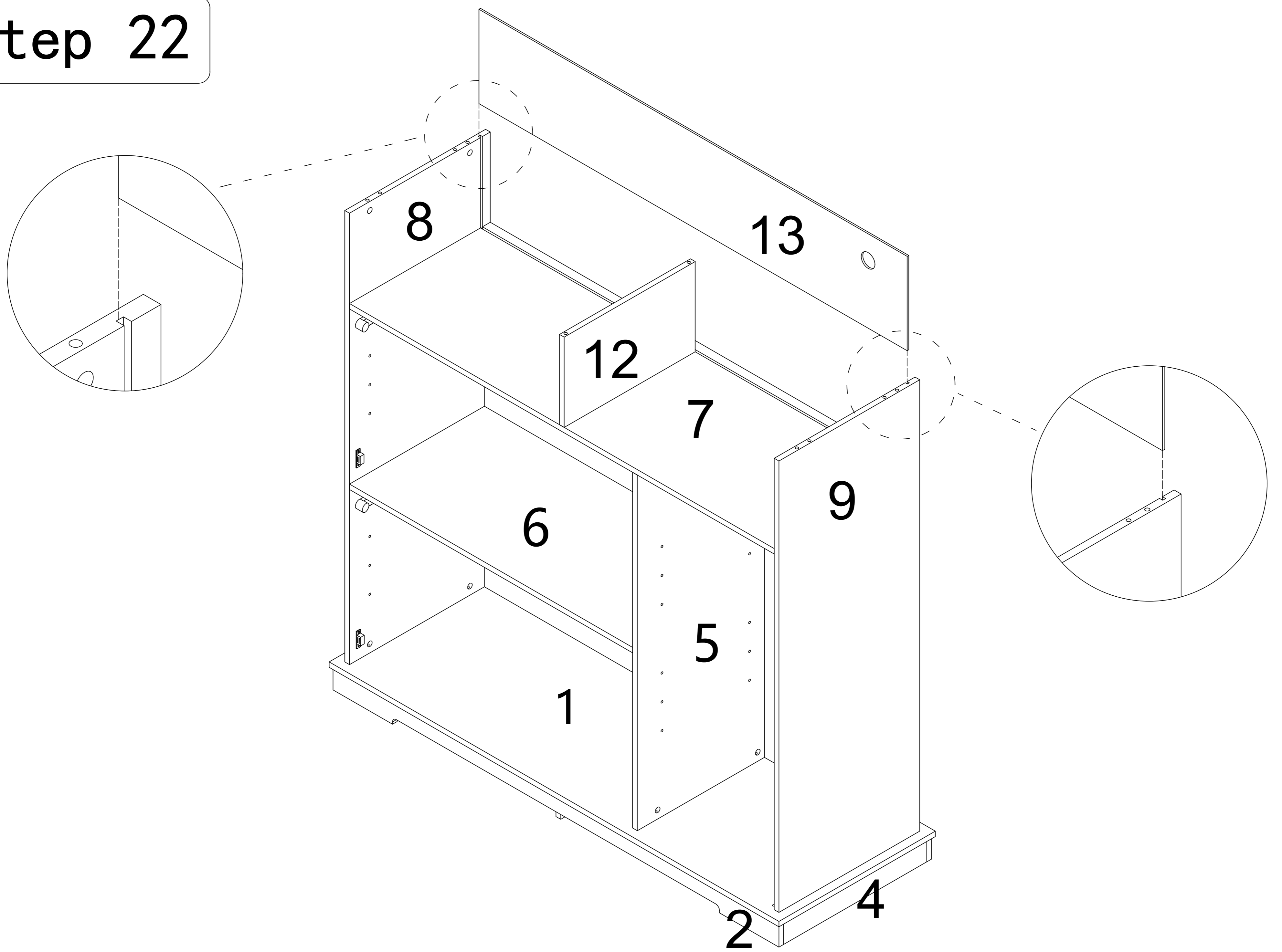
# Step 20



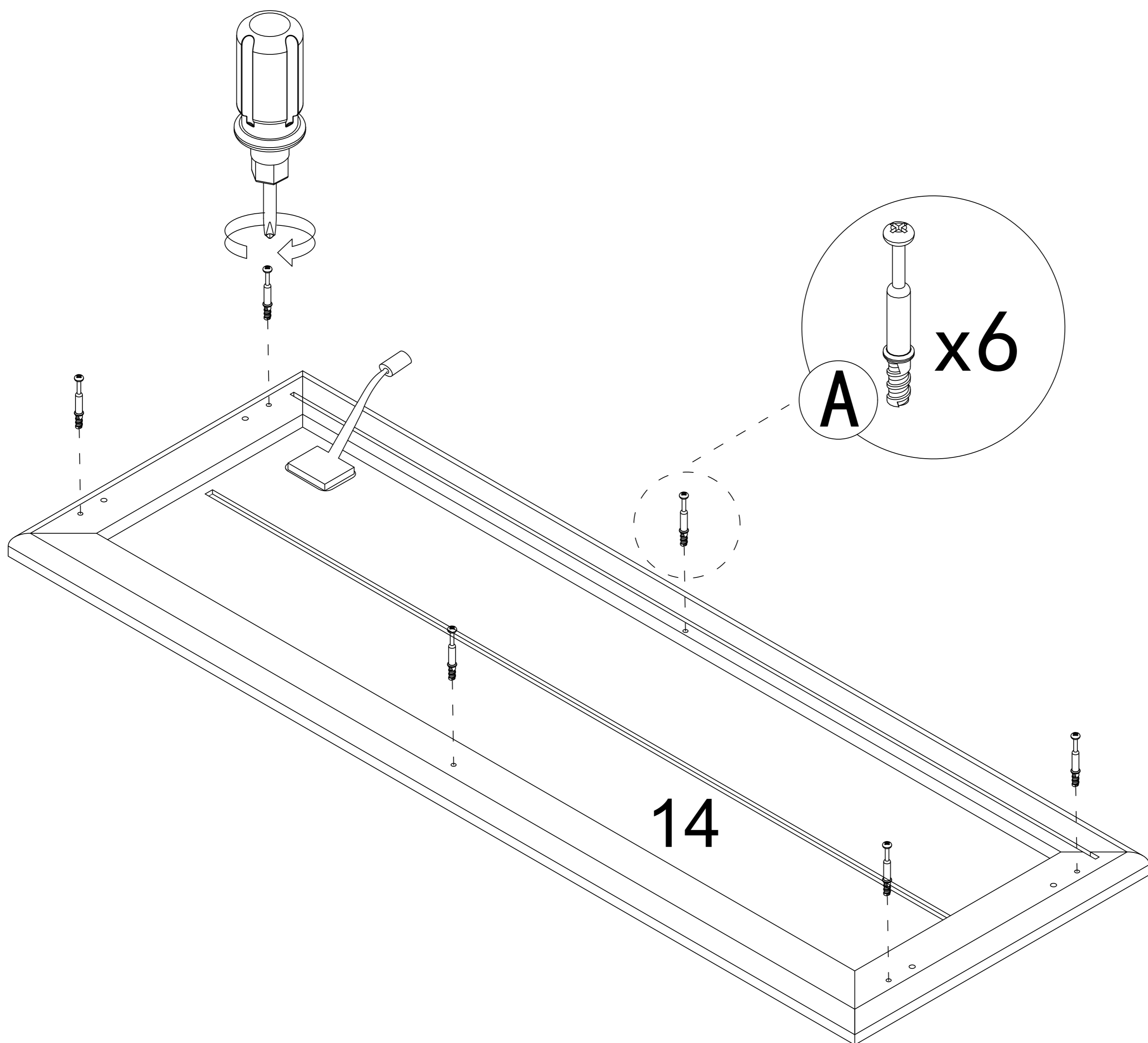
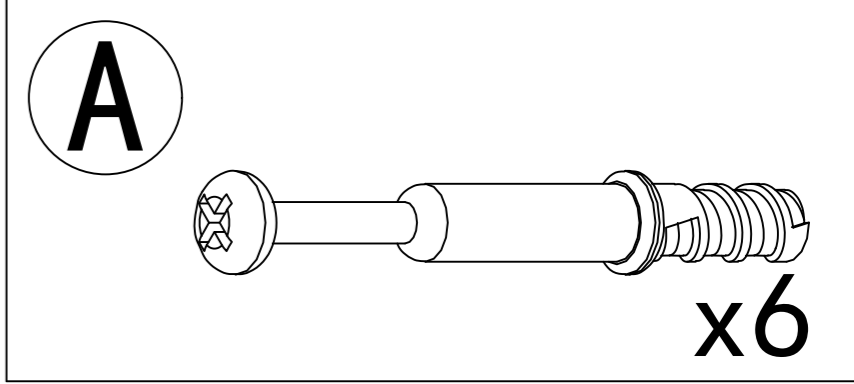
# Step 21



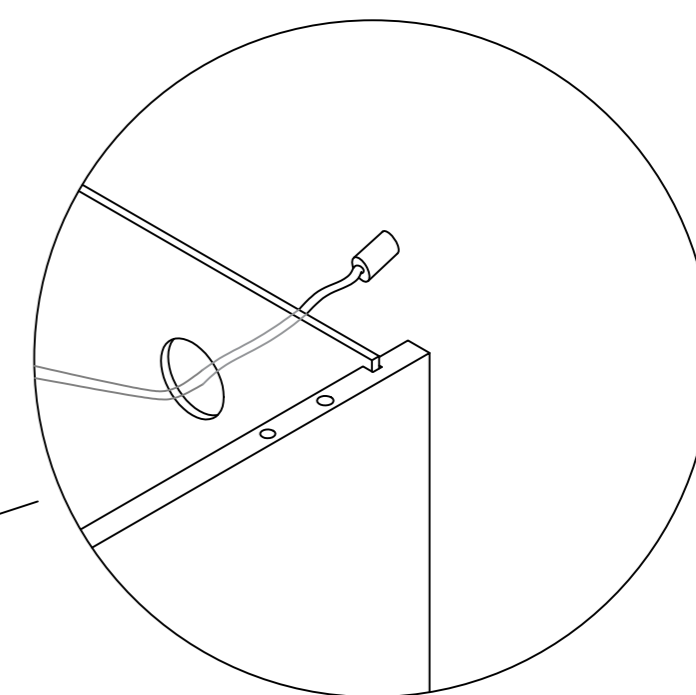
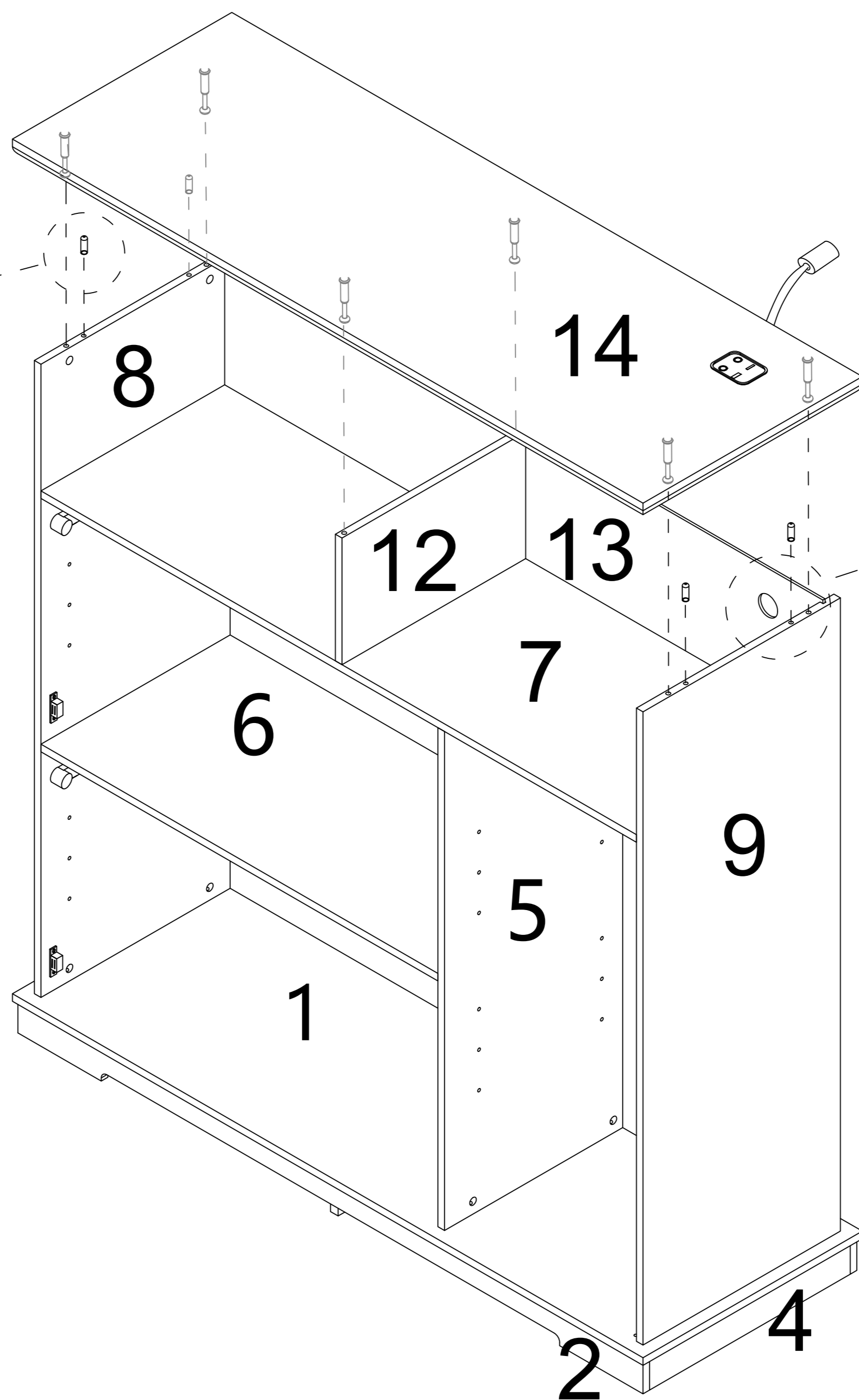
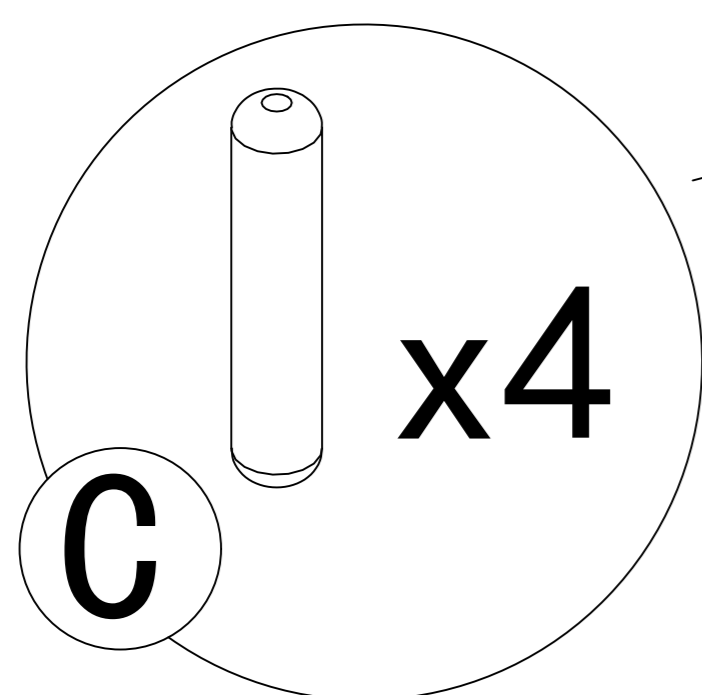
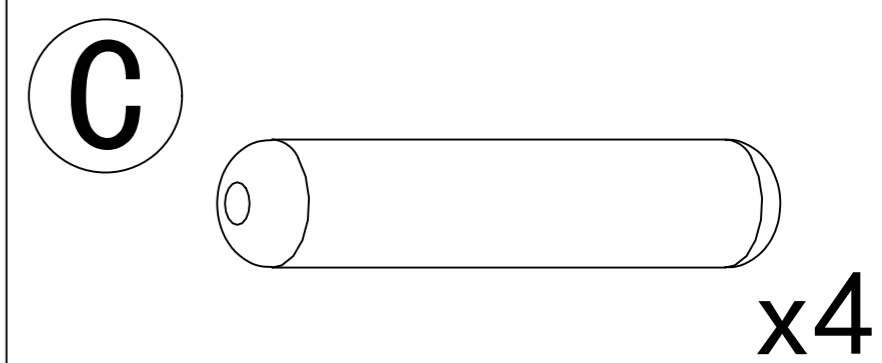
# Step 22



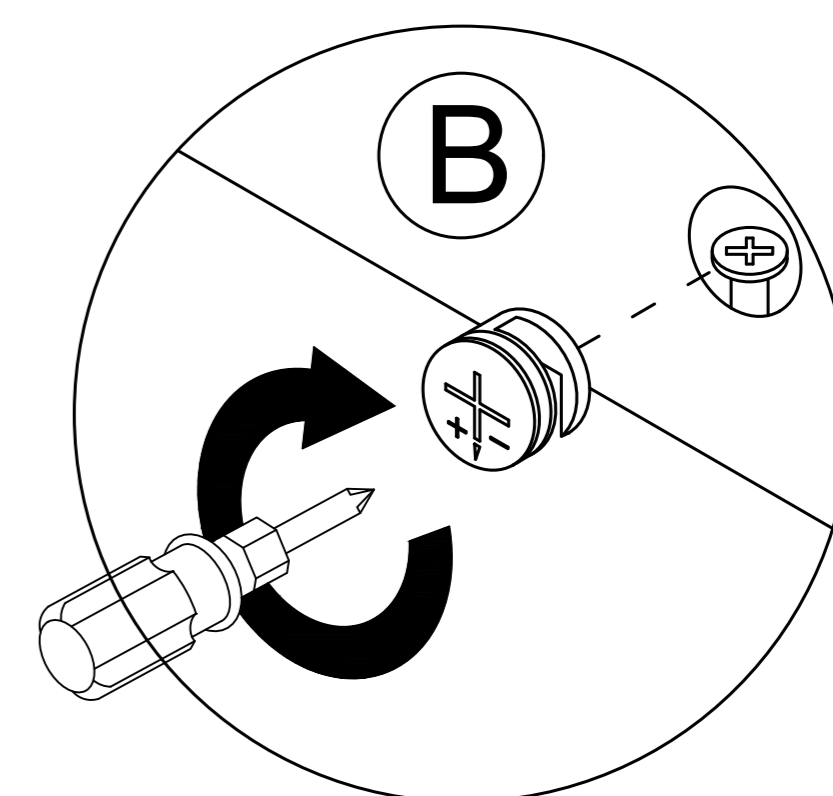
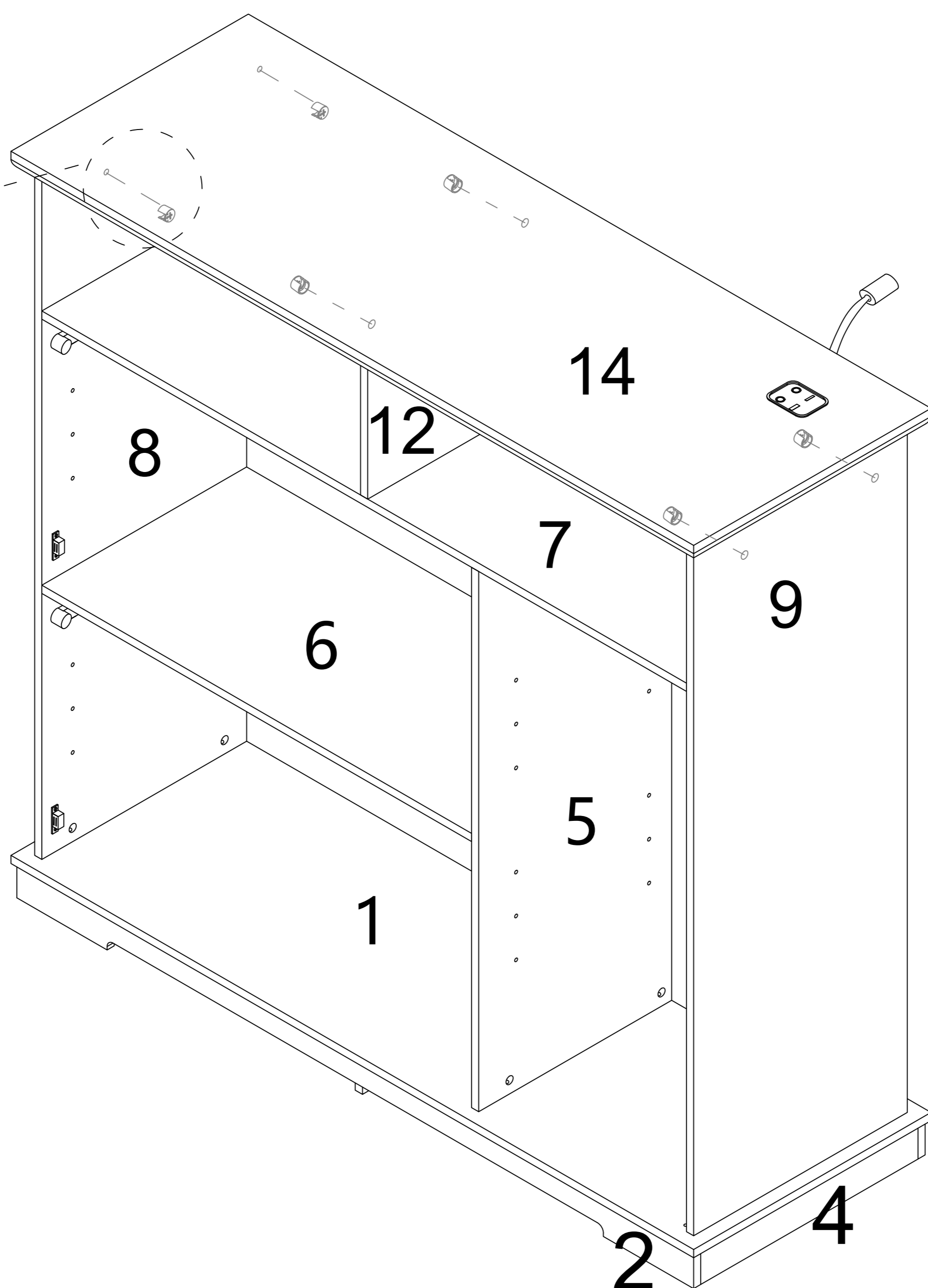
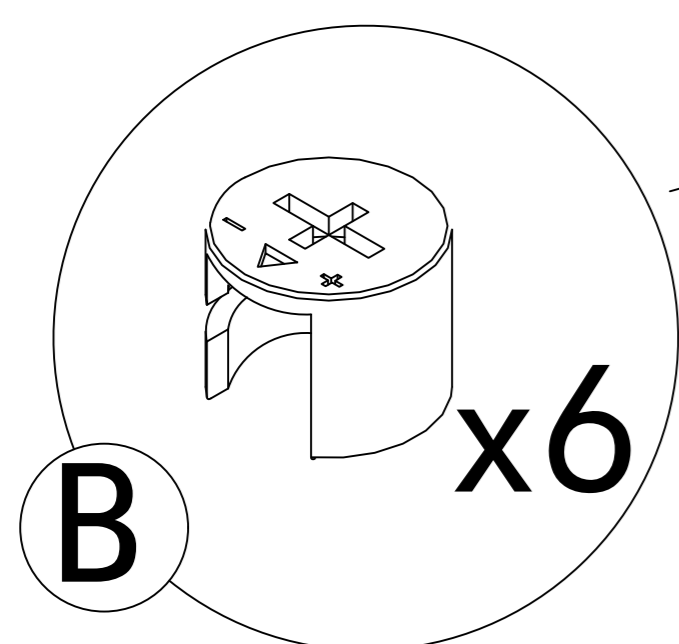
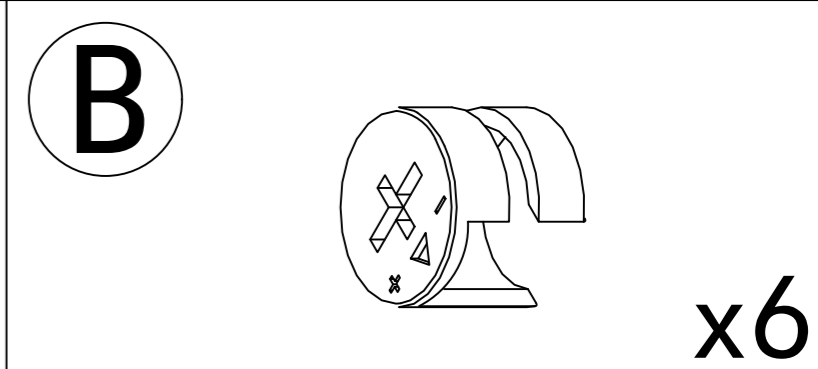
# Step 23



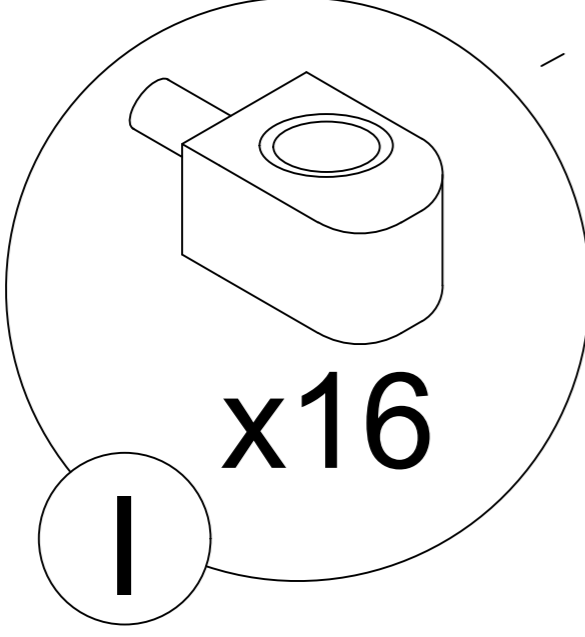
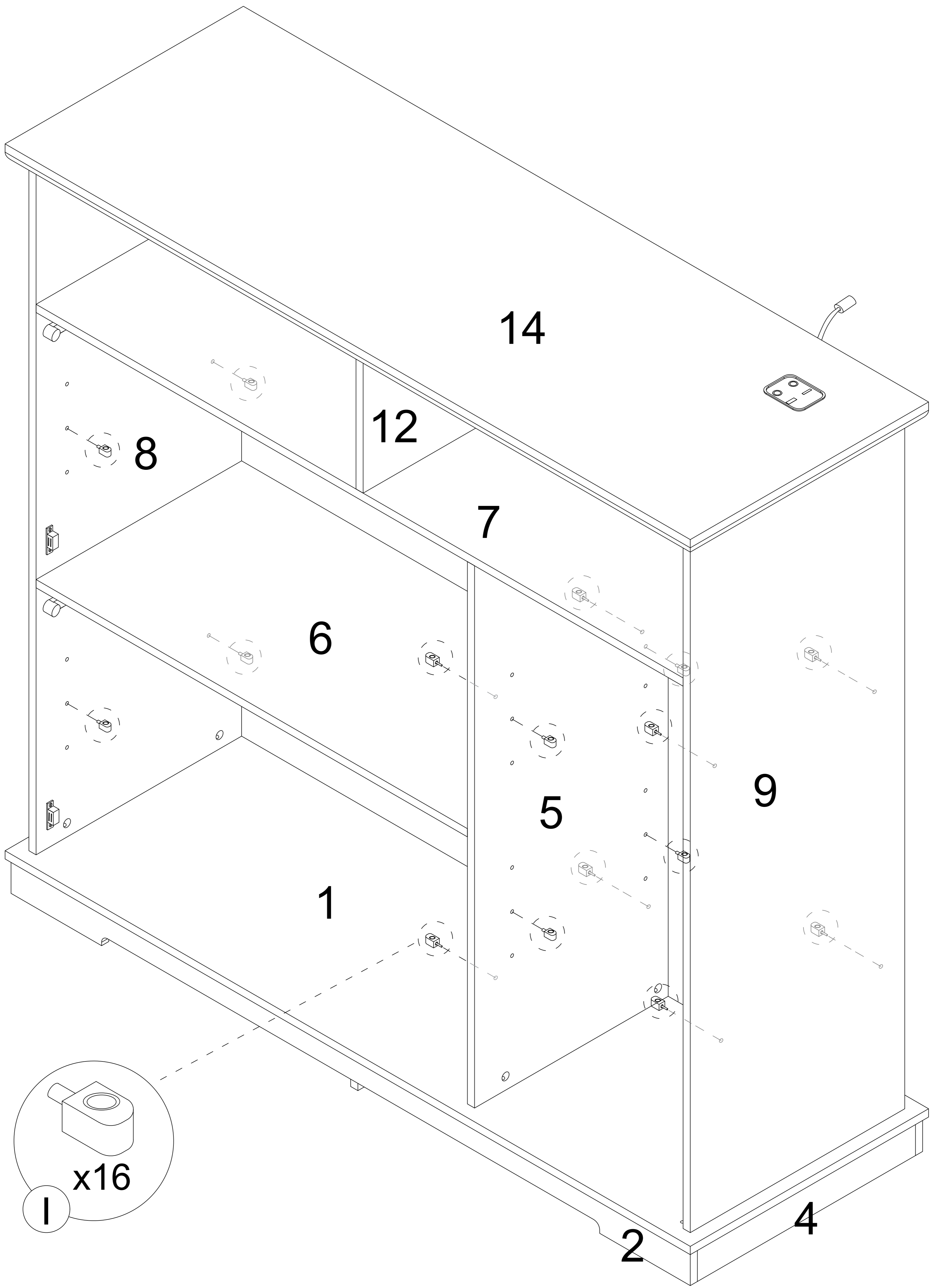
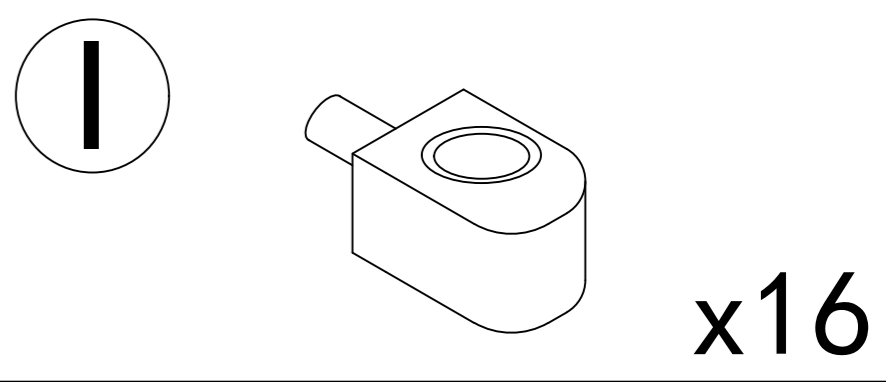
# Step 24



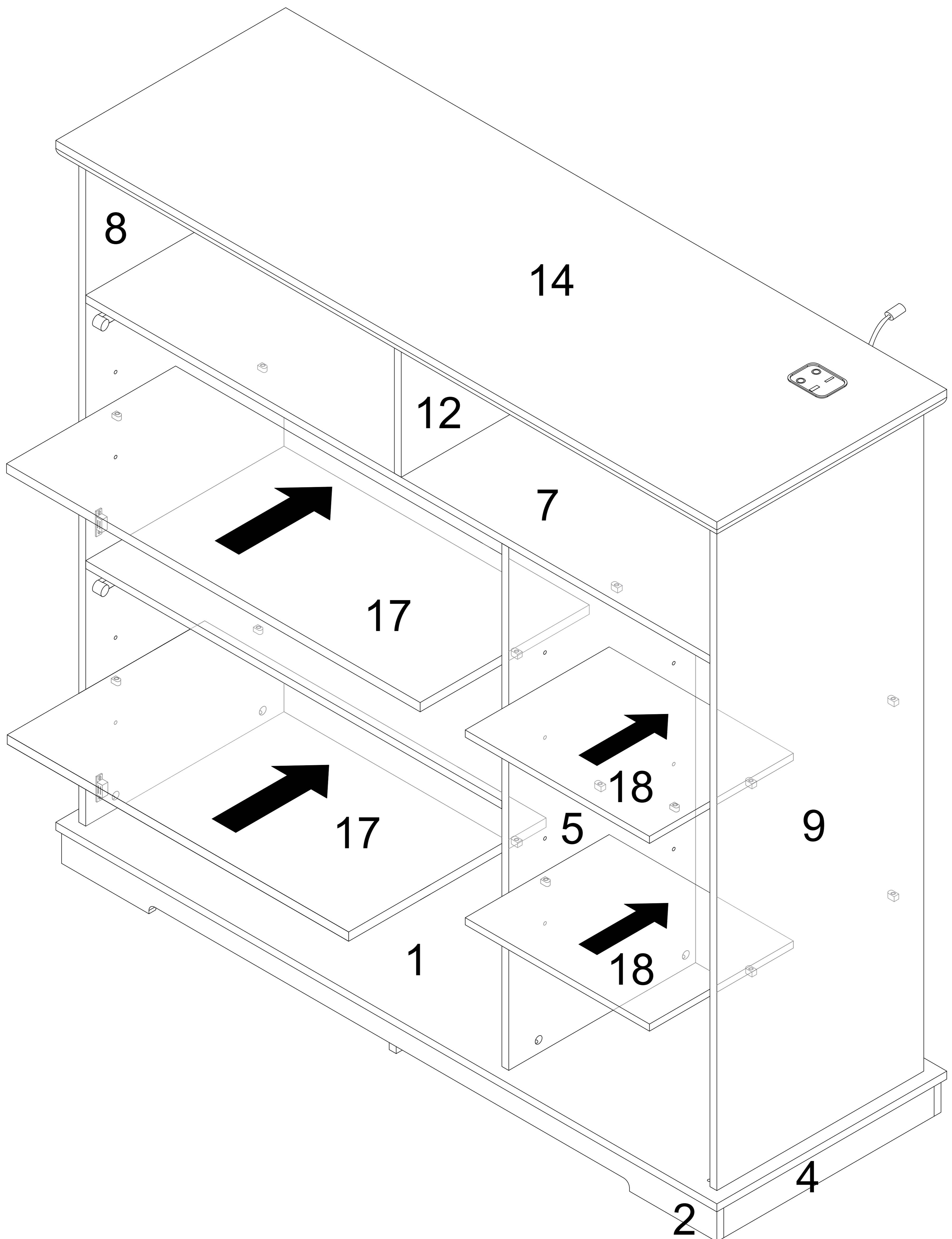
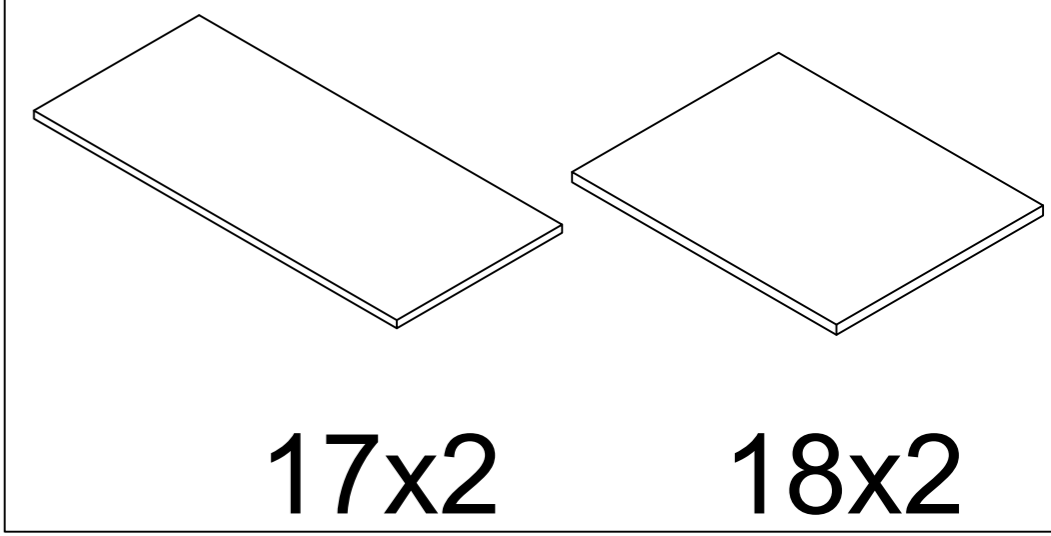
# Step 25



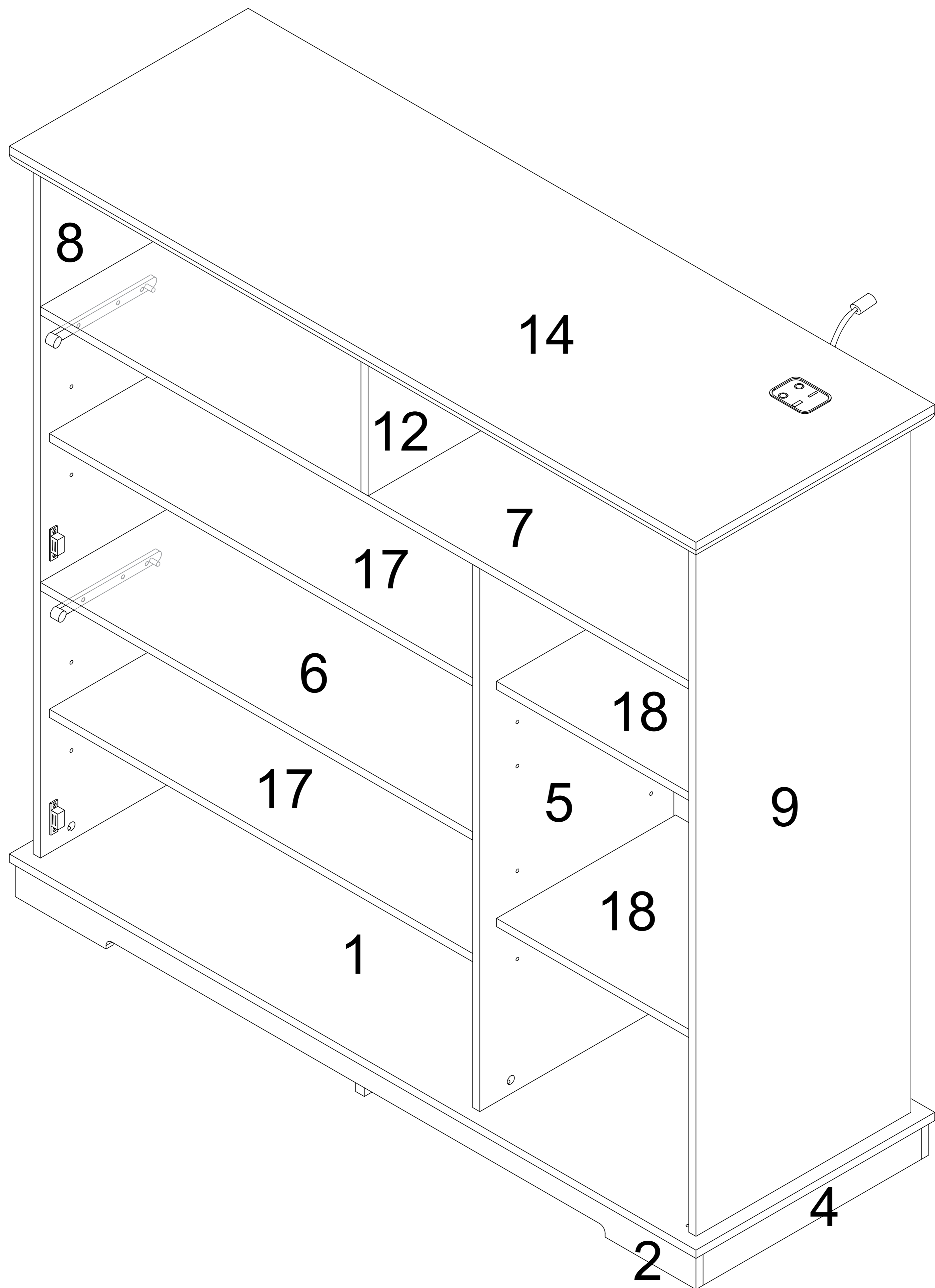
# Step 26


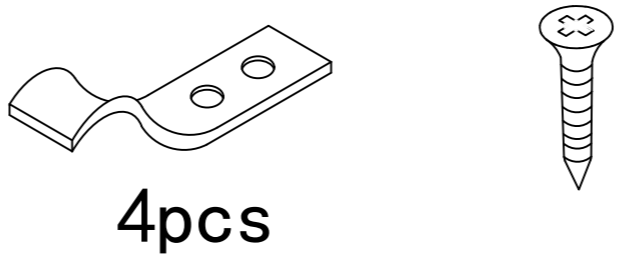


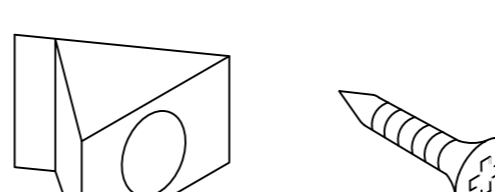

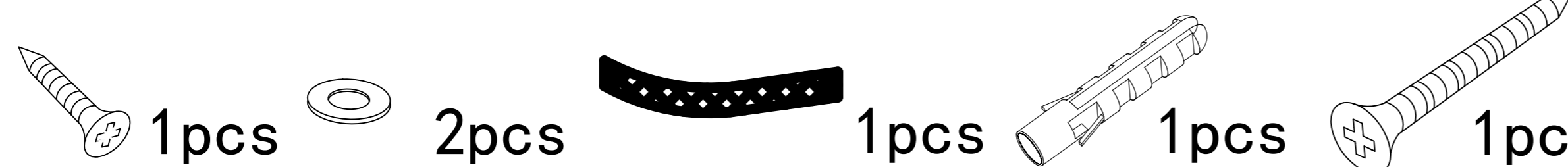
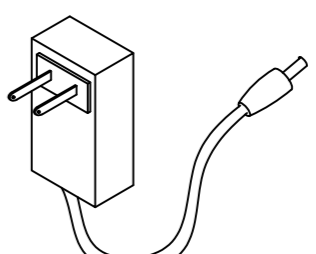


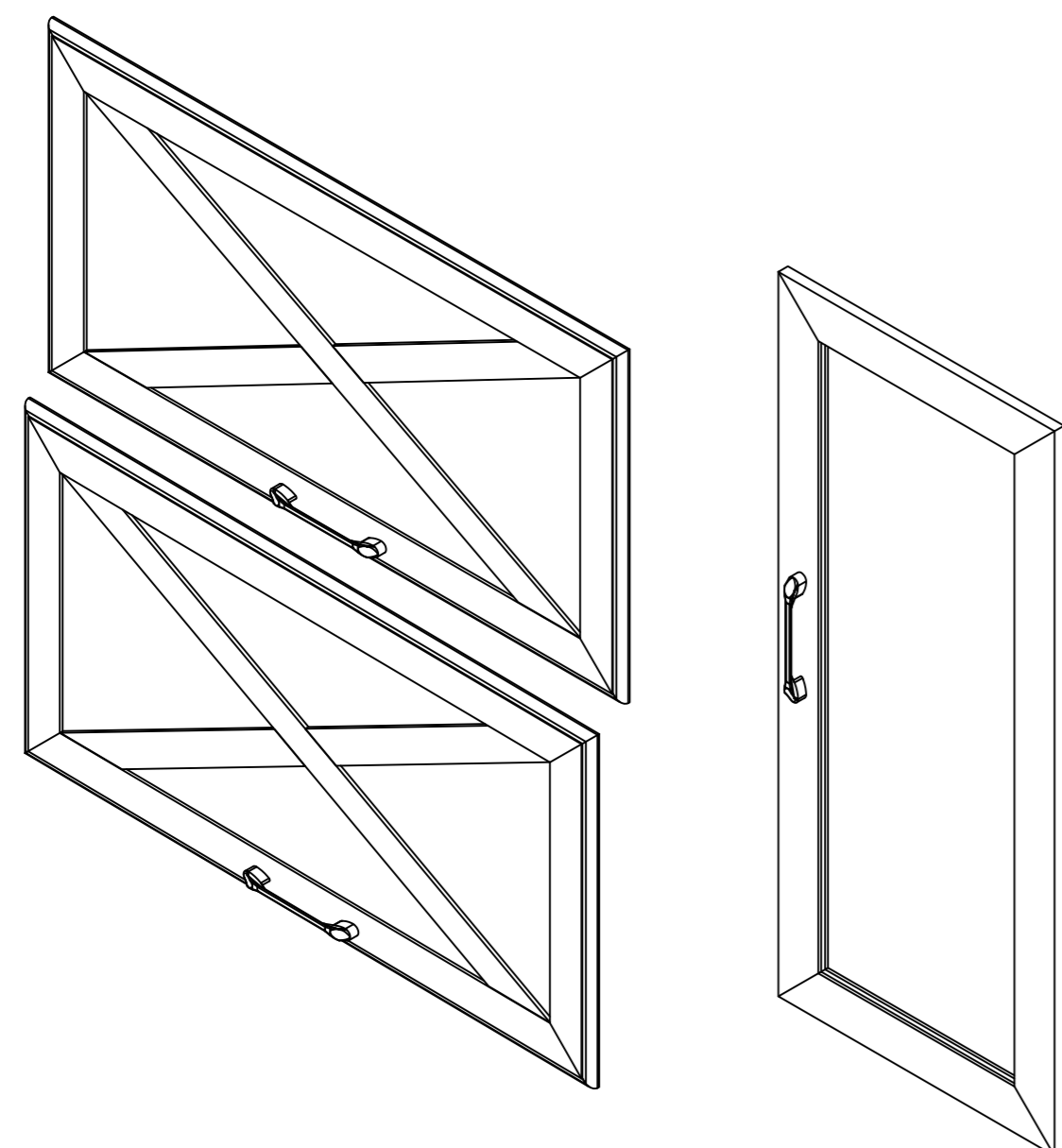
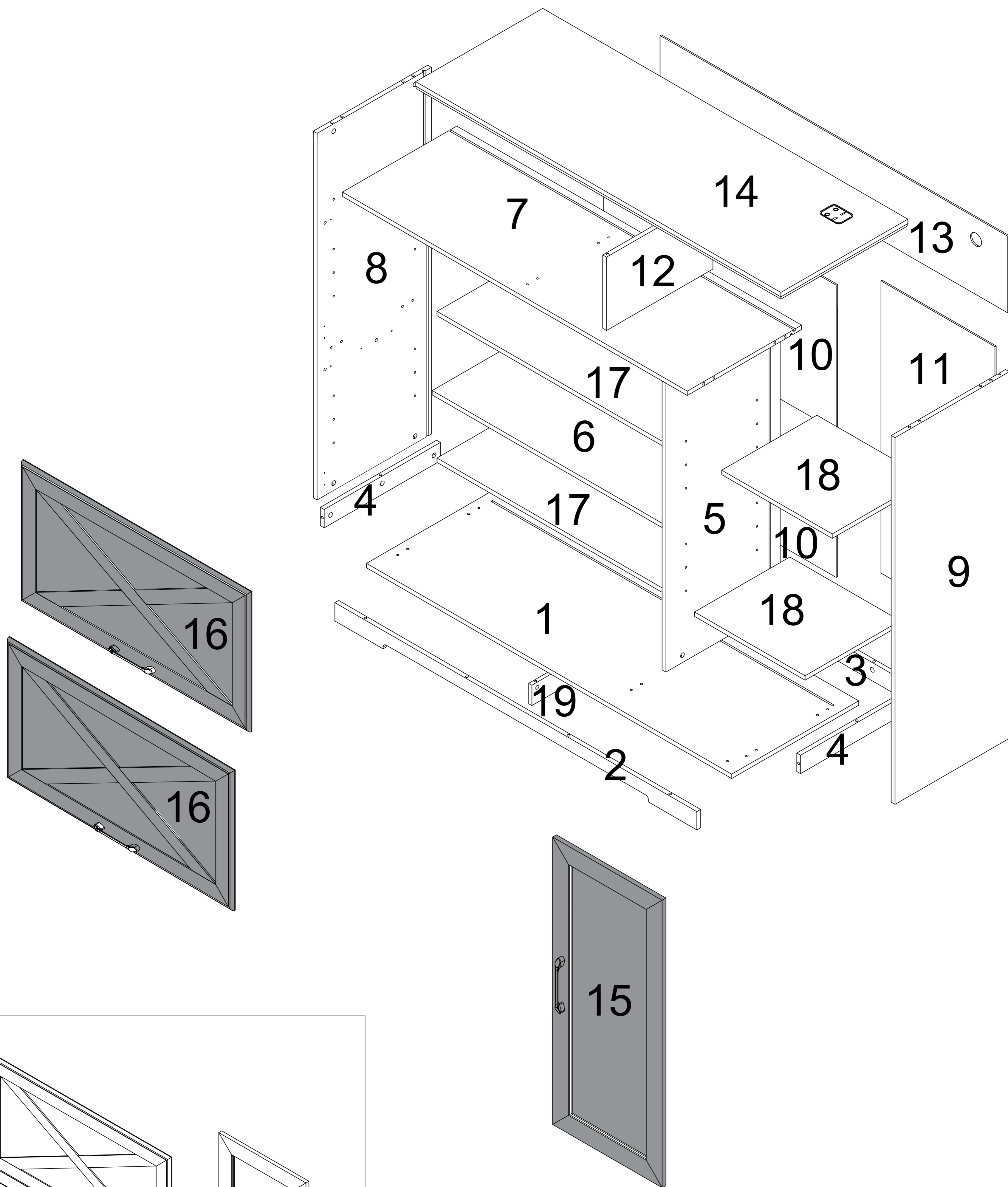
# Step 27




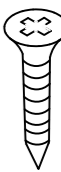
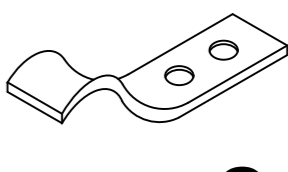

# Step 28

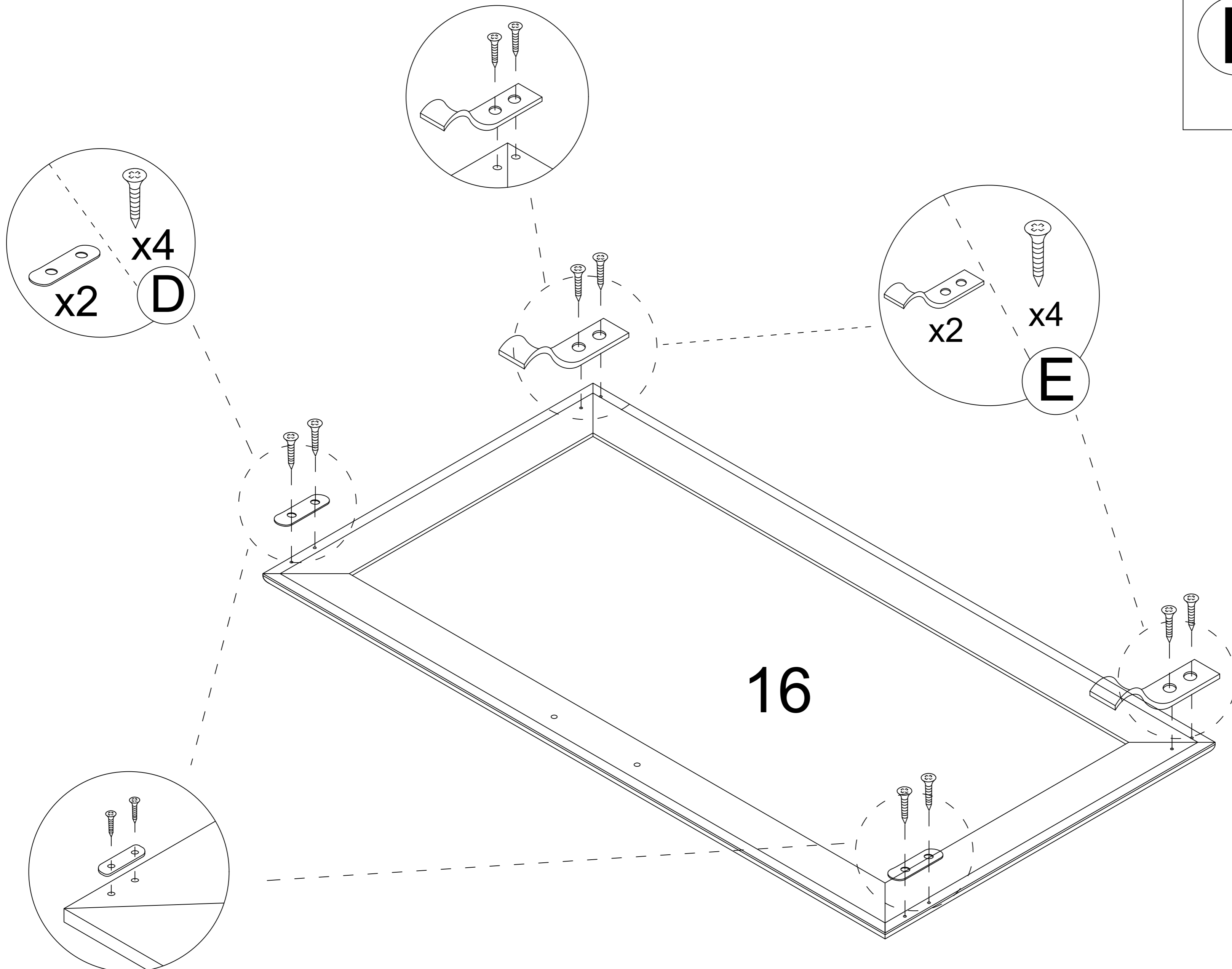


<p><b>D</b></p>	 <p>6pcs 12pcs</p>	<p><b>E</b></p>	 <p>4pcs 8pcs</p>	<p><b>F</b></p>	 <p>2pcs 4pcs</p>
<p><b>H</b></p>	 <p>3pcs 6pcs</p>	<p><b>K</b></p>	 <p>16pcs</p>	<p><b>G</b></p>	 <p>2pcs 6pcs</p>
<p><b>L</b></p>	 <p>1pcs 2pcs 1pcs 1pcs 1pcs</p>				 <p>1pcs</p>

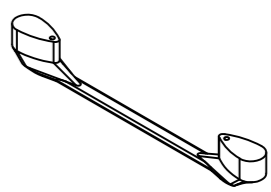
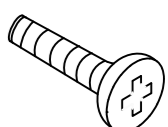


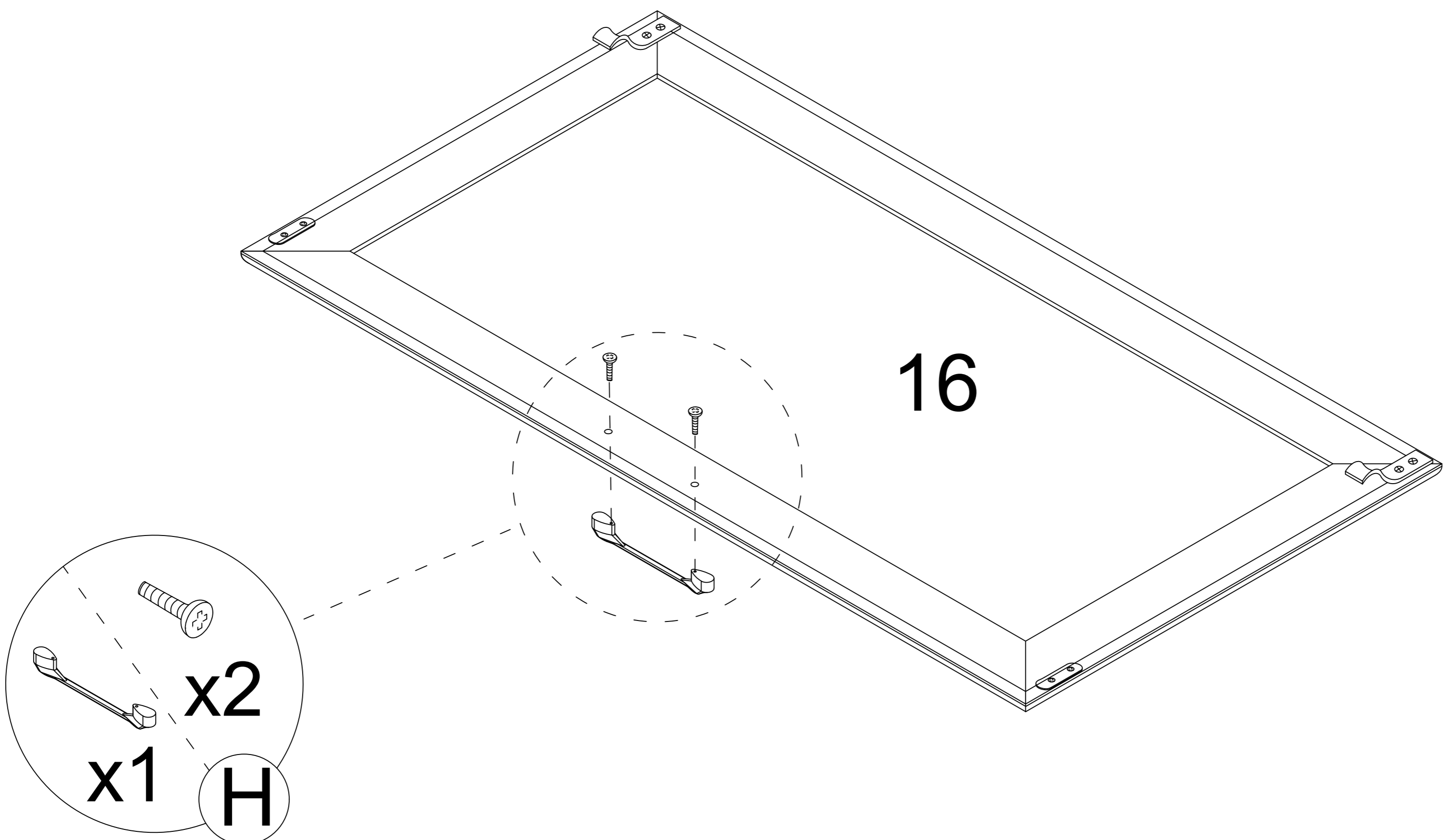
# Step 29

<b>D</b>	 x2	 x4
<b>E</b>	 x2	 x4



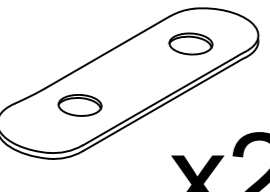
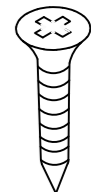
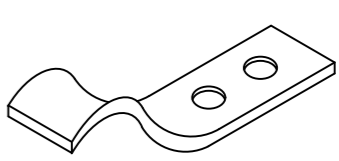
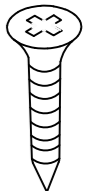
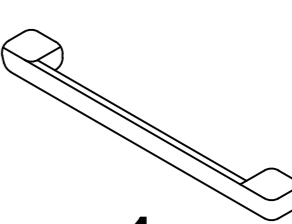
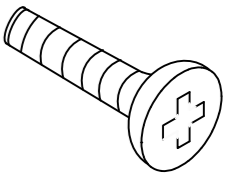
# Step 30

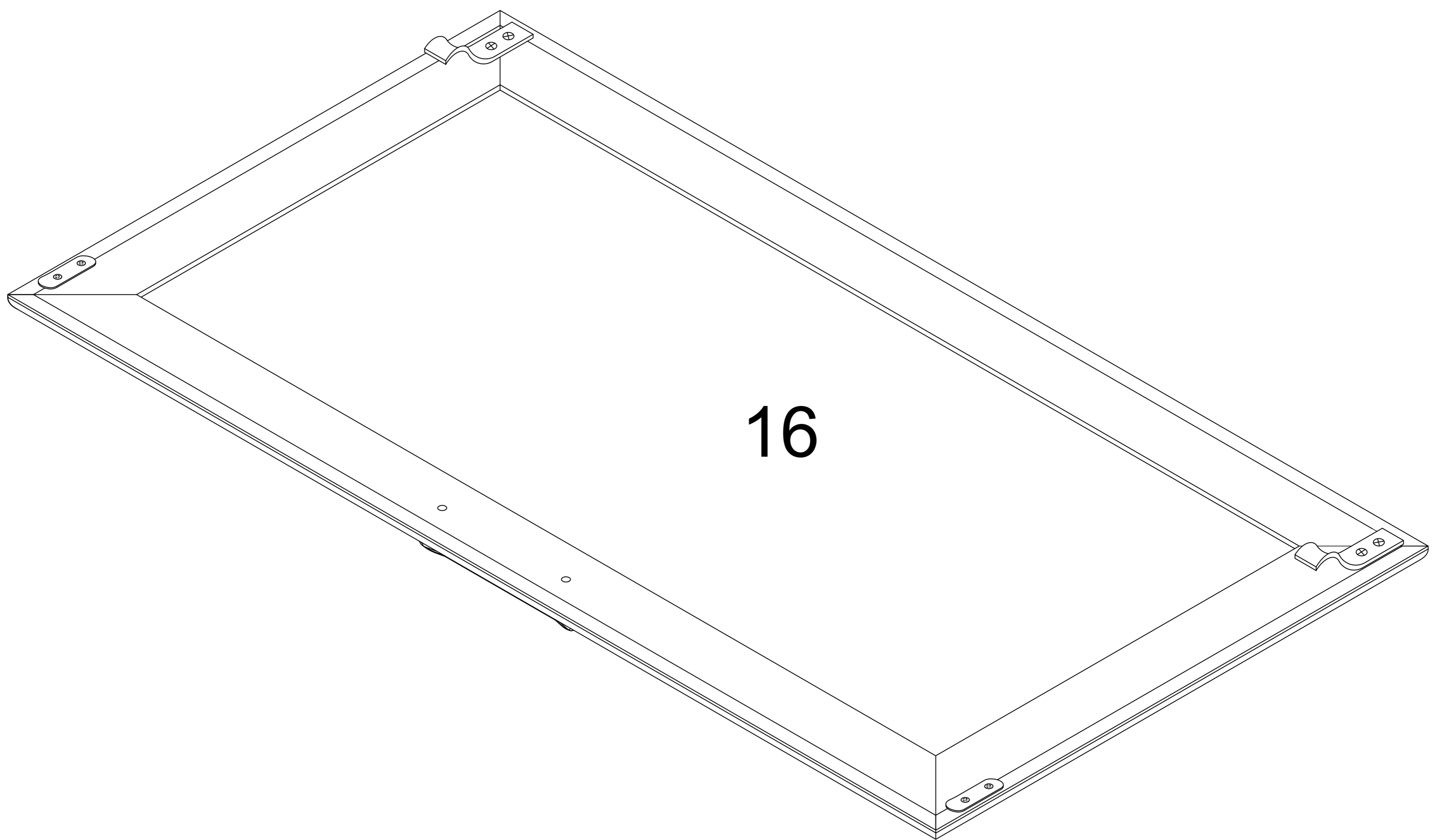
<b>H</b>	 x1	 x2
----------	--	--



Step 31

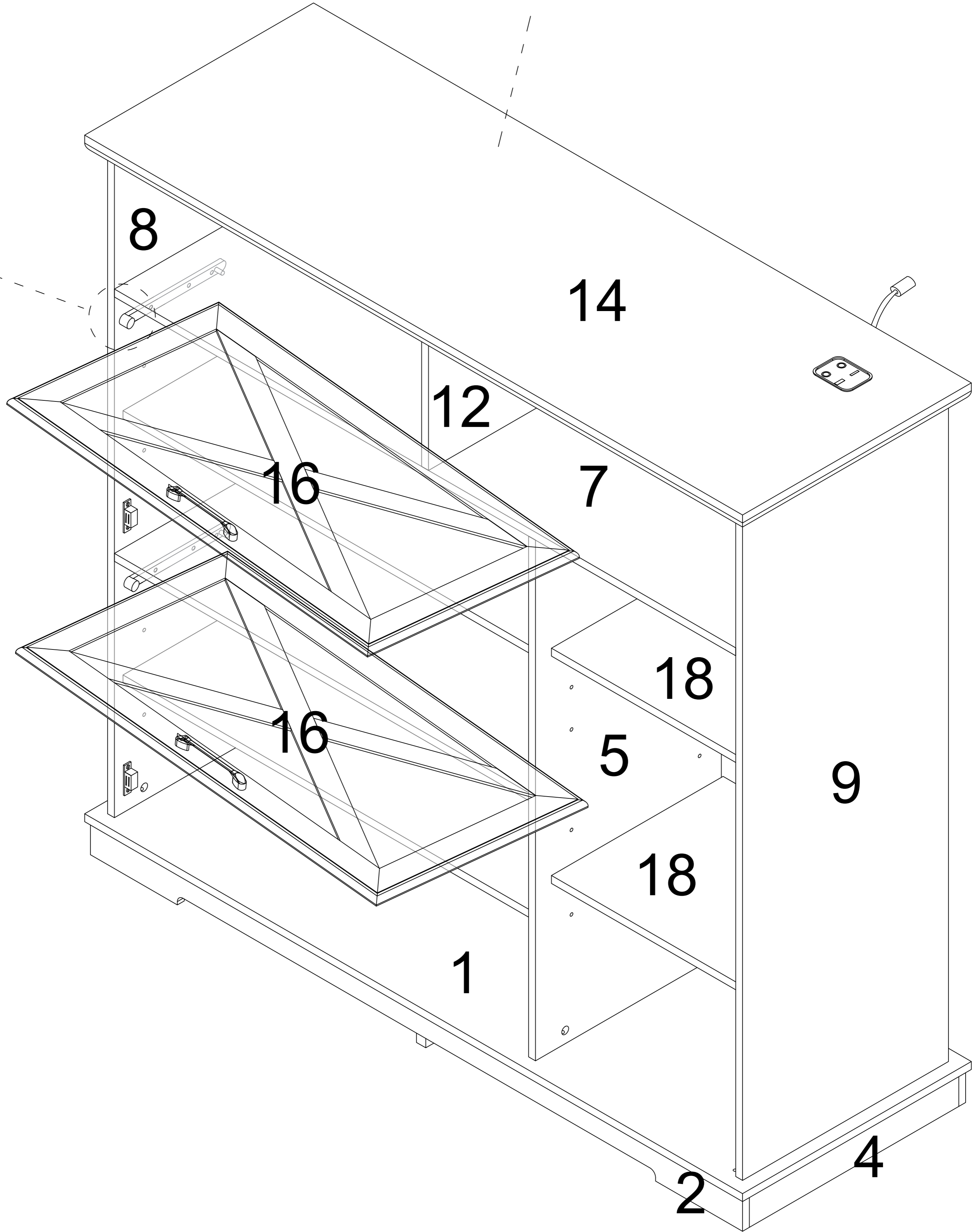
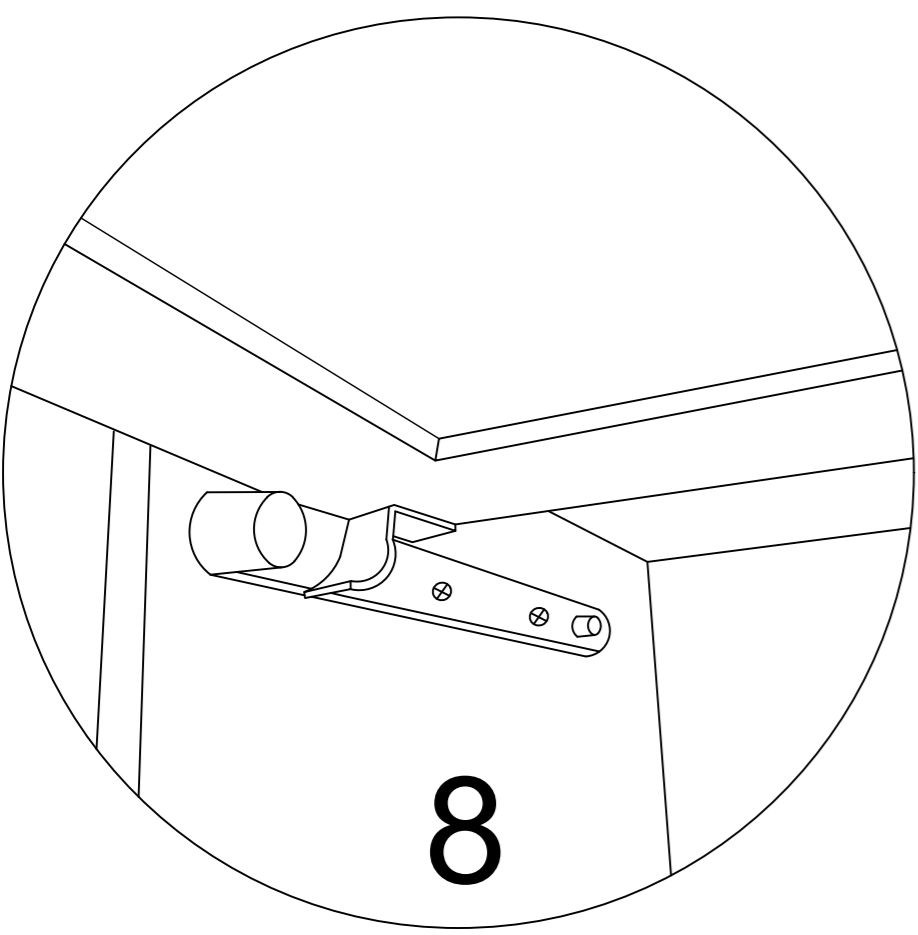
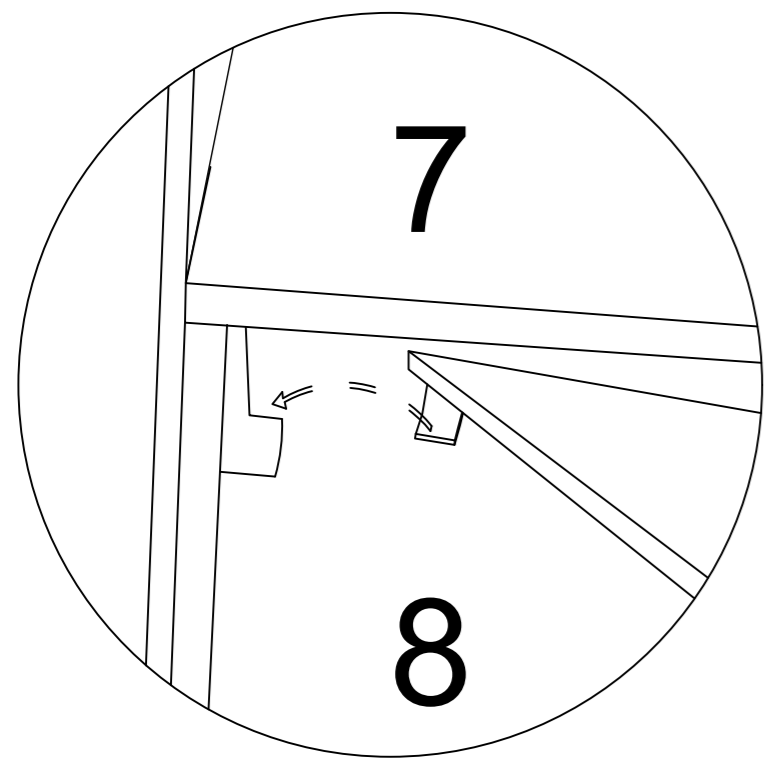
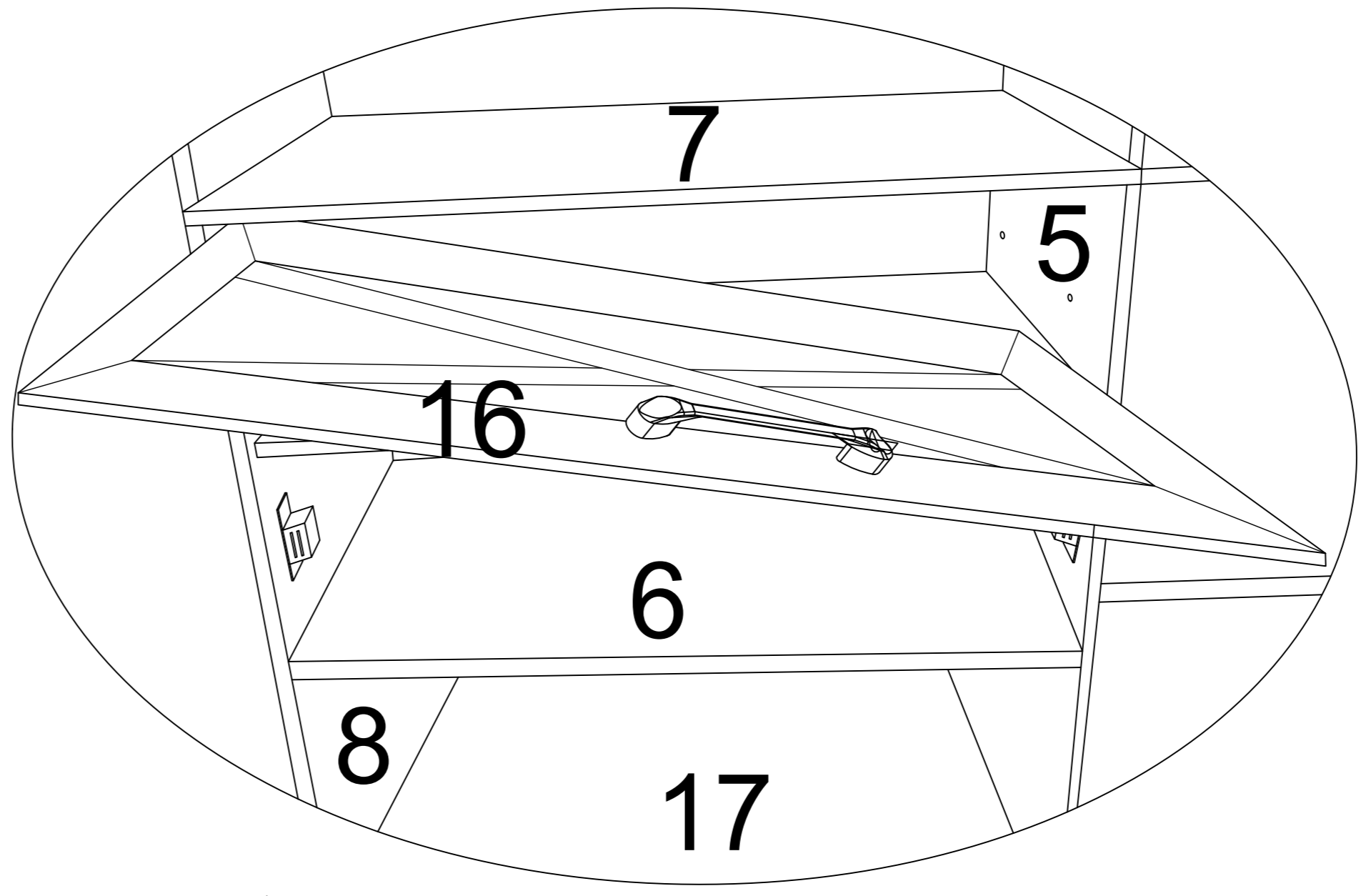
x2

- D  x2  x4
- E  x2  x4
- H  x1  x2



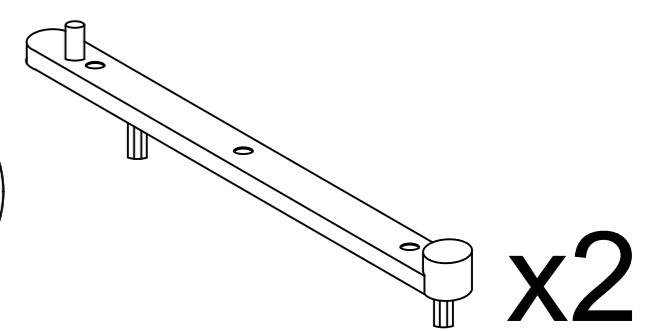
Install the door using the same method

# Step 32

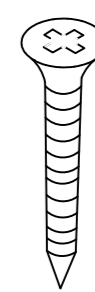


# Step 33

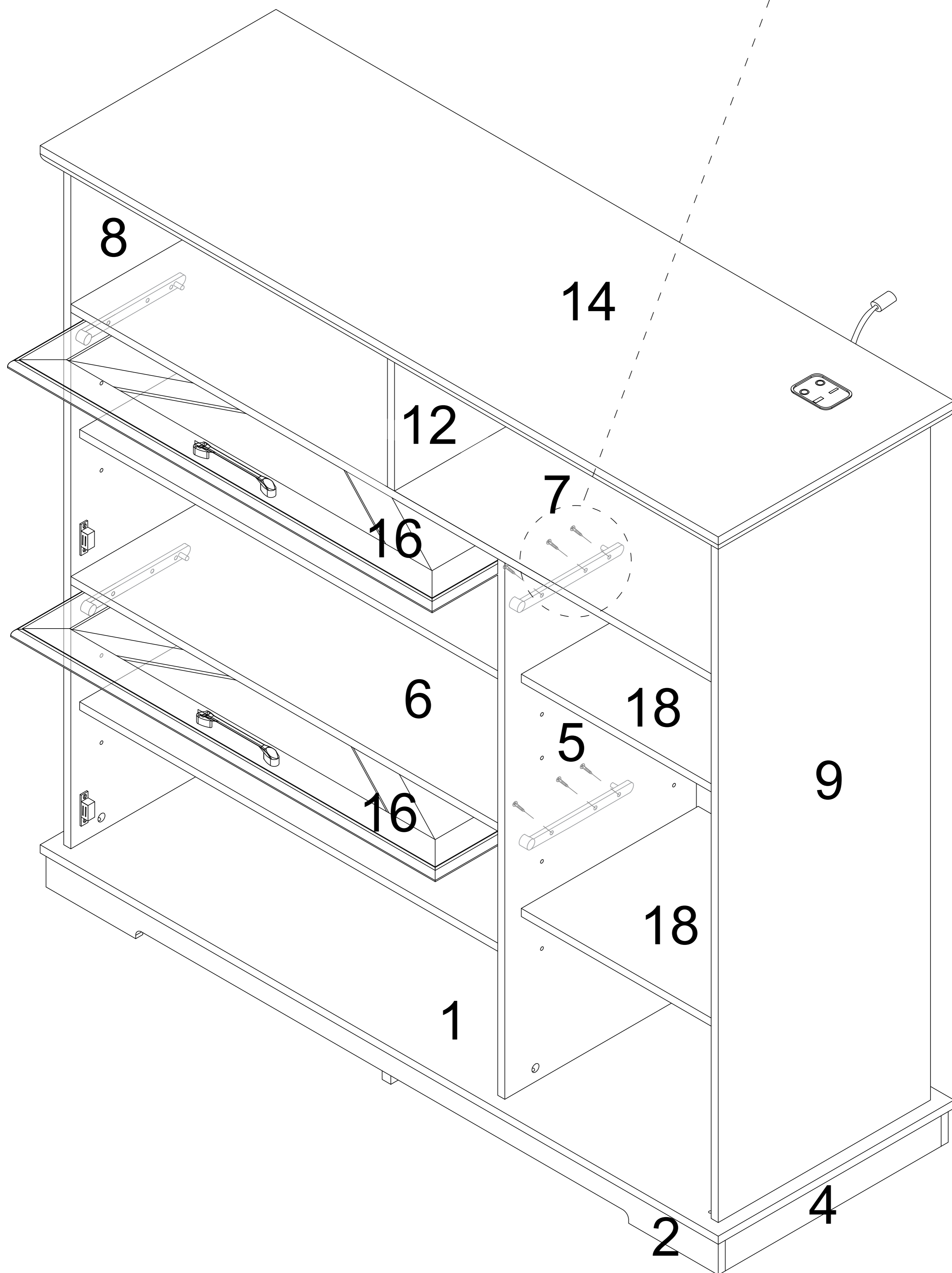
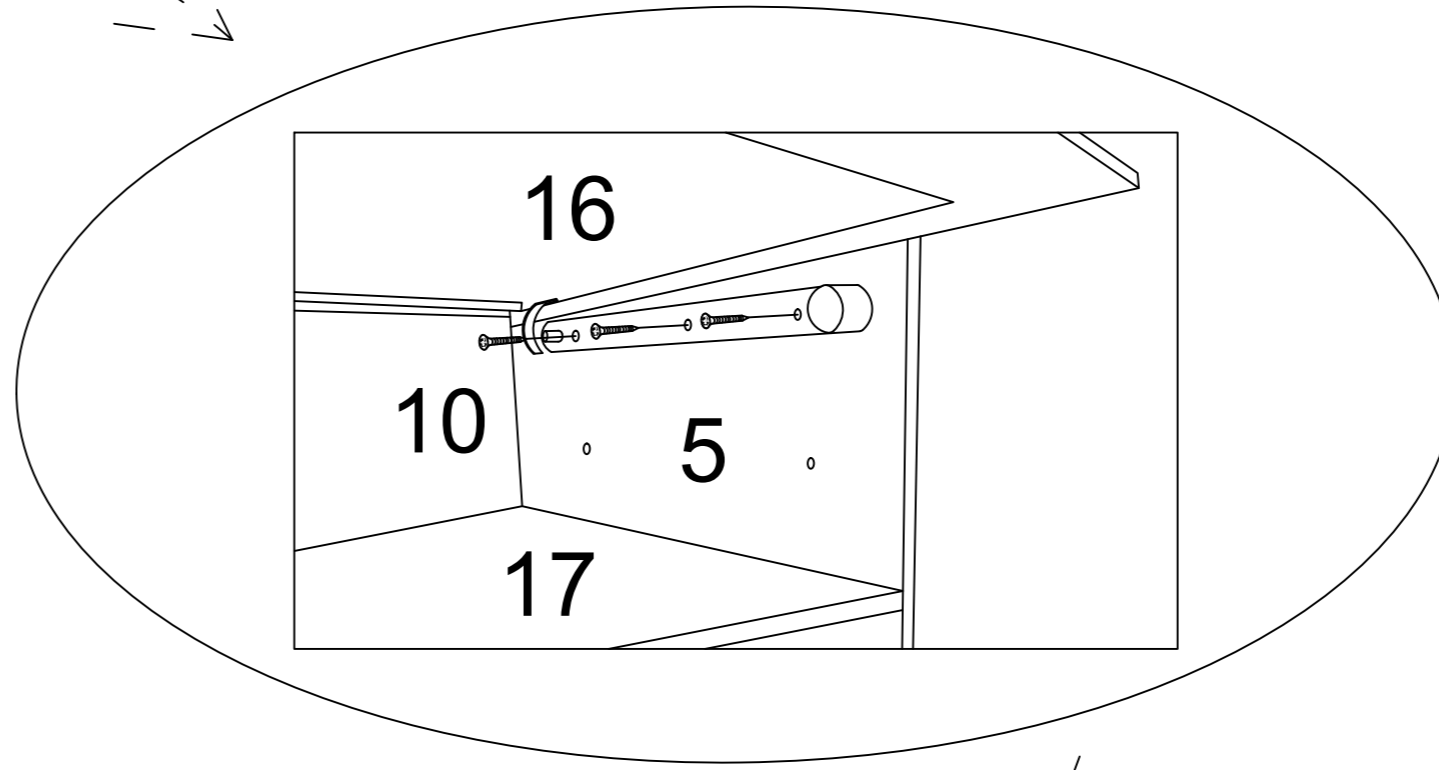
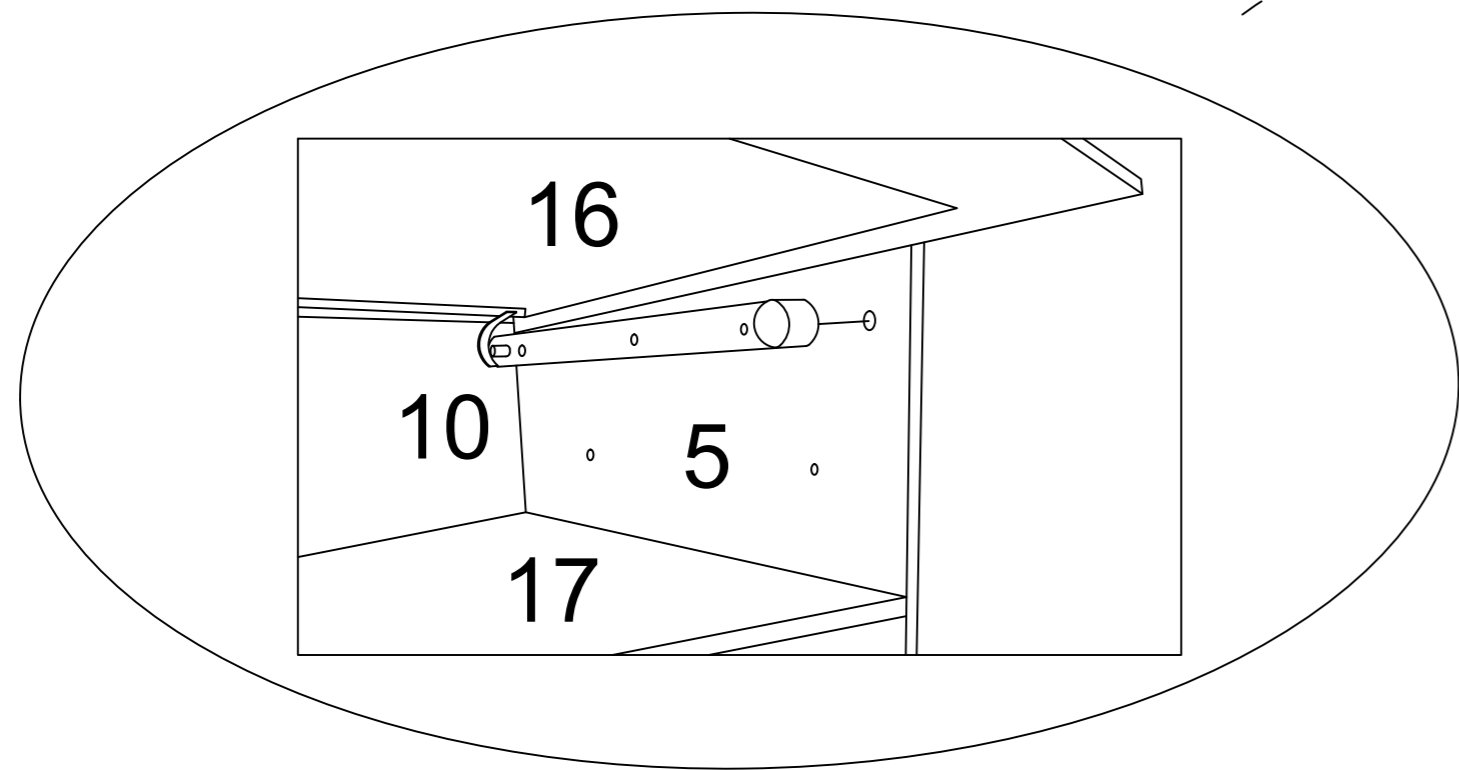
G



x2



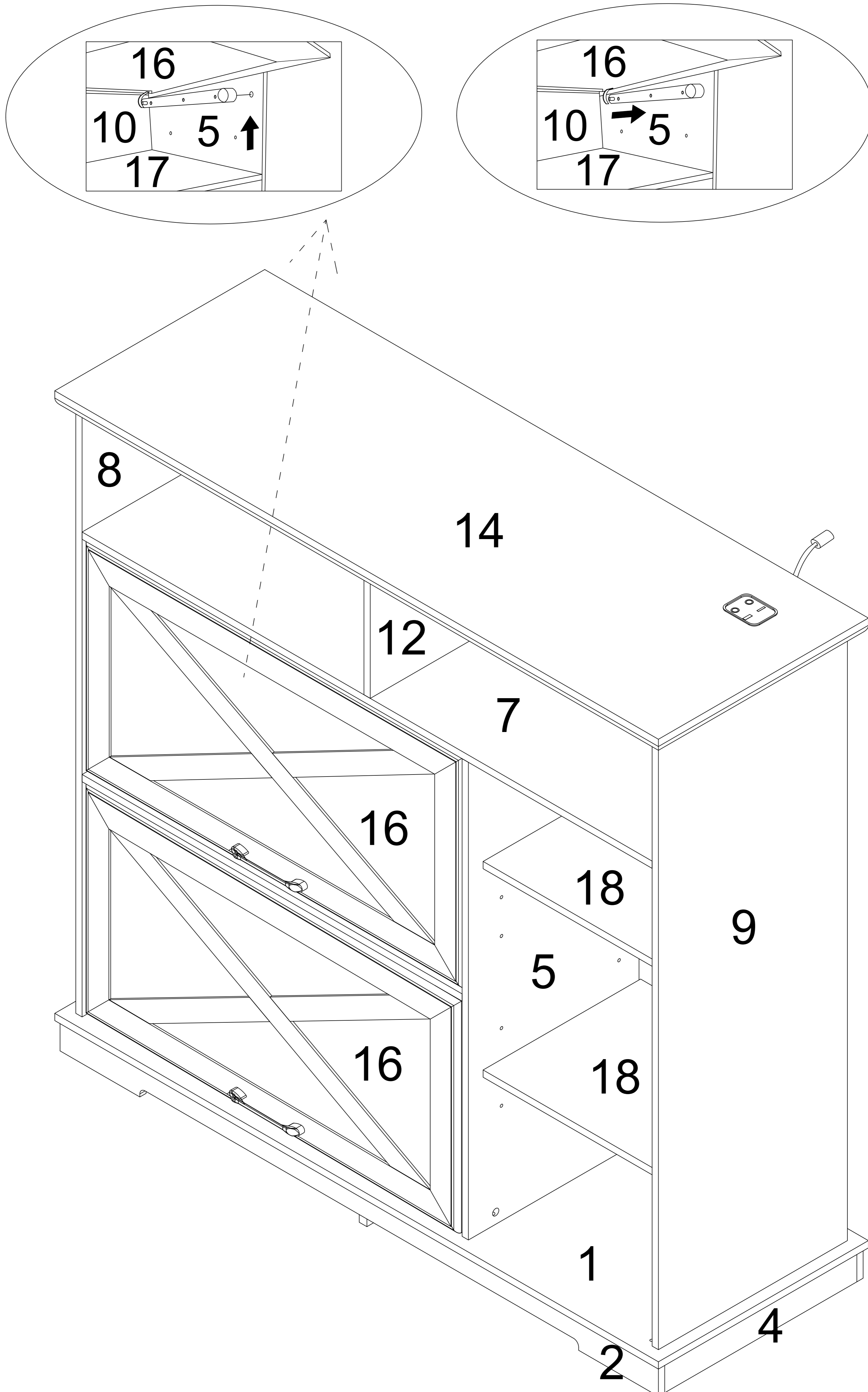
x6



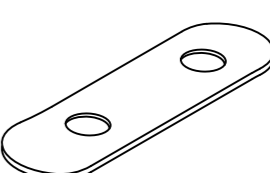
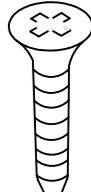
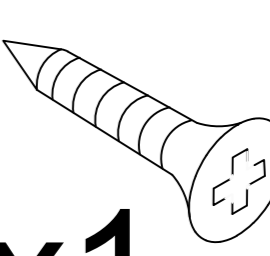
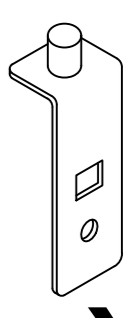
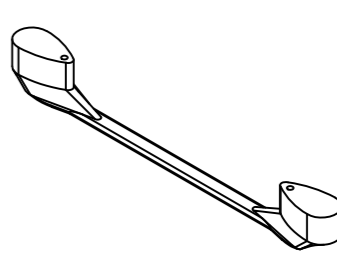
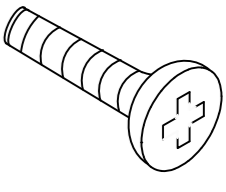
Pay attention to the direction of the guide rail

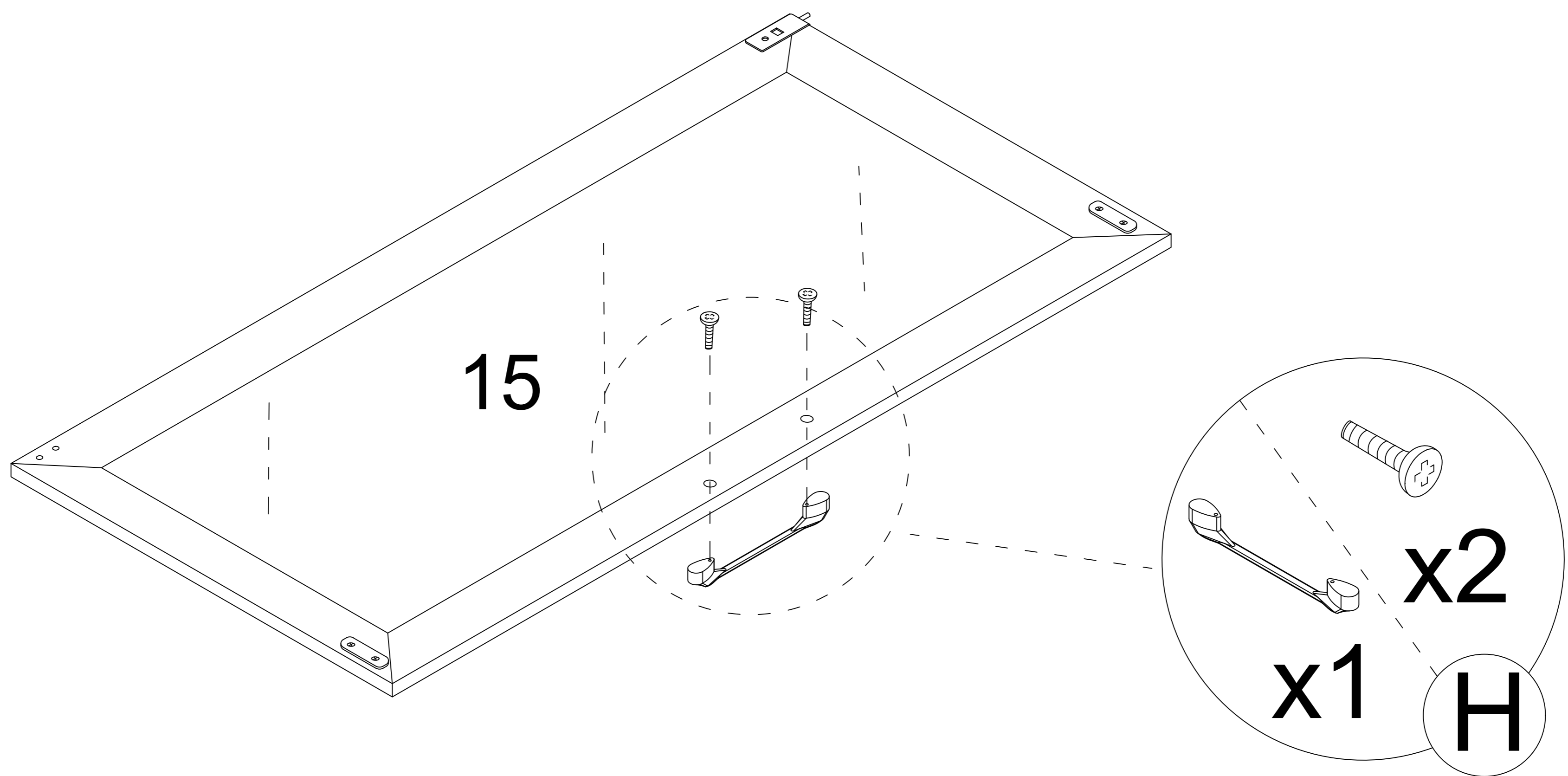
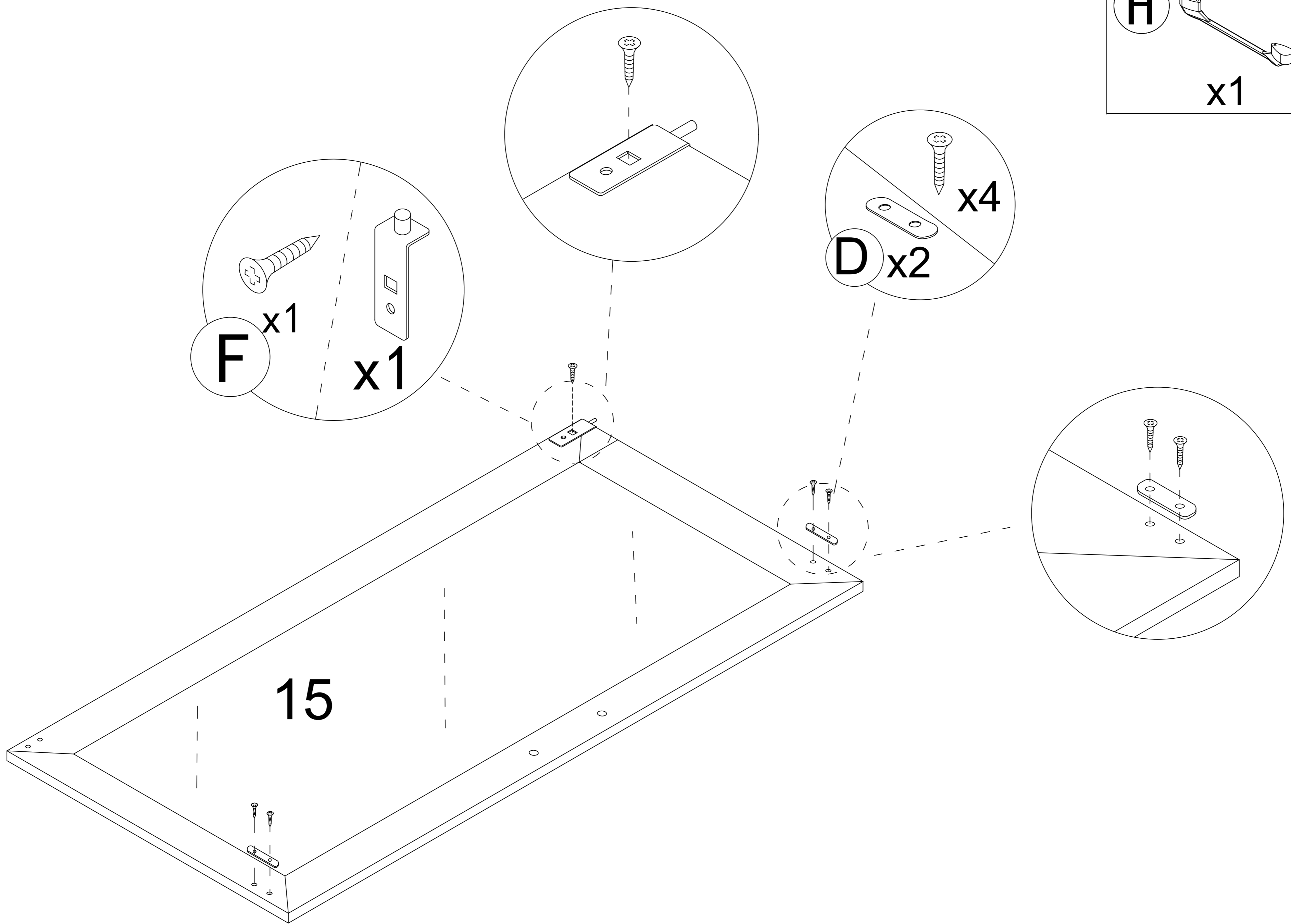
# Step 34

If the door cannot be closed due to being hooked at the back, please lift the door up a bit and then pull it in your own direction.



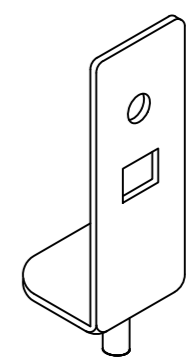
# Step 35

<b>D</b>		
	<b>x2</b>	<b>x4</b>
<b>F</b>		
	<b>x1</b>	<b>x1</b>
<b>H</b>		
	<b>x1</b>	<b>x2</b>

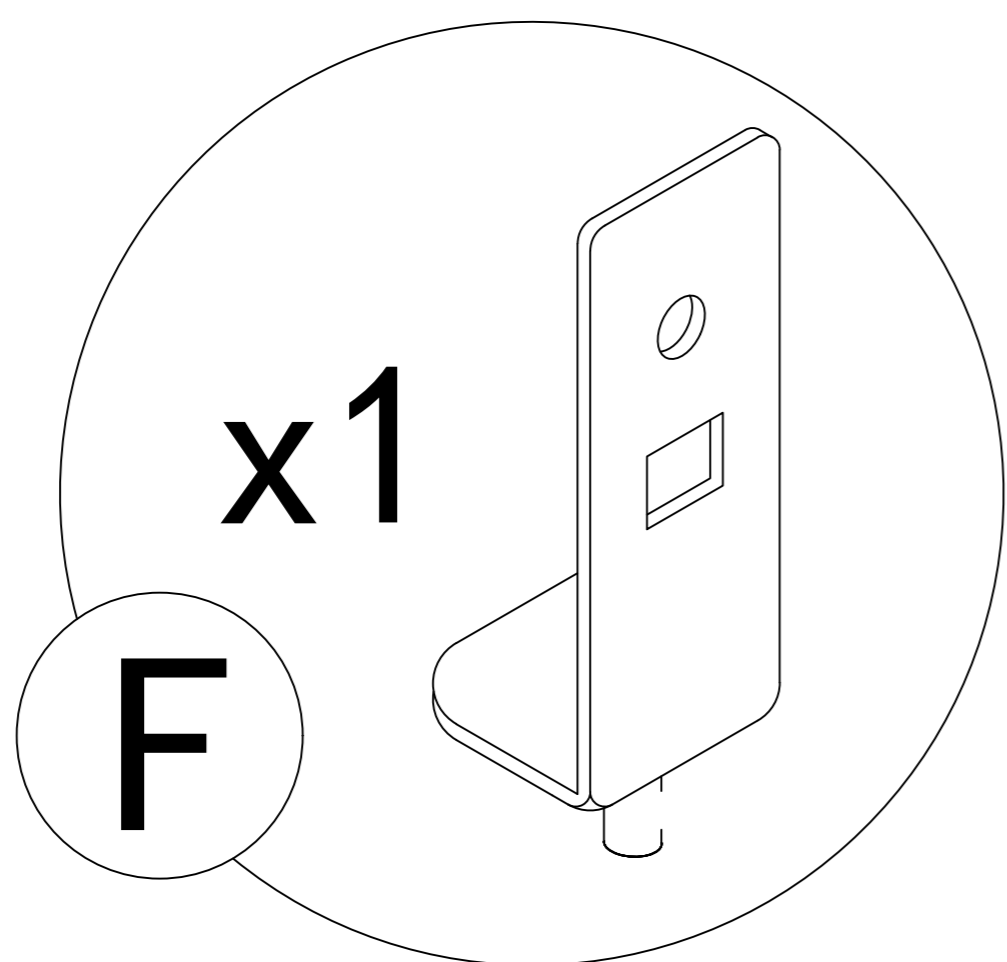
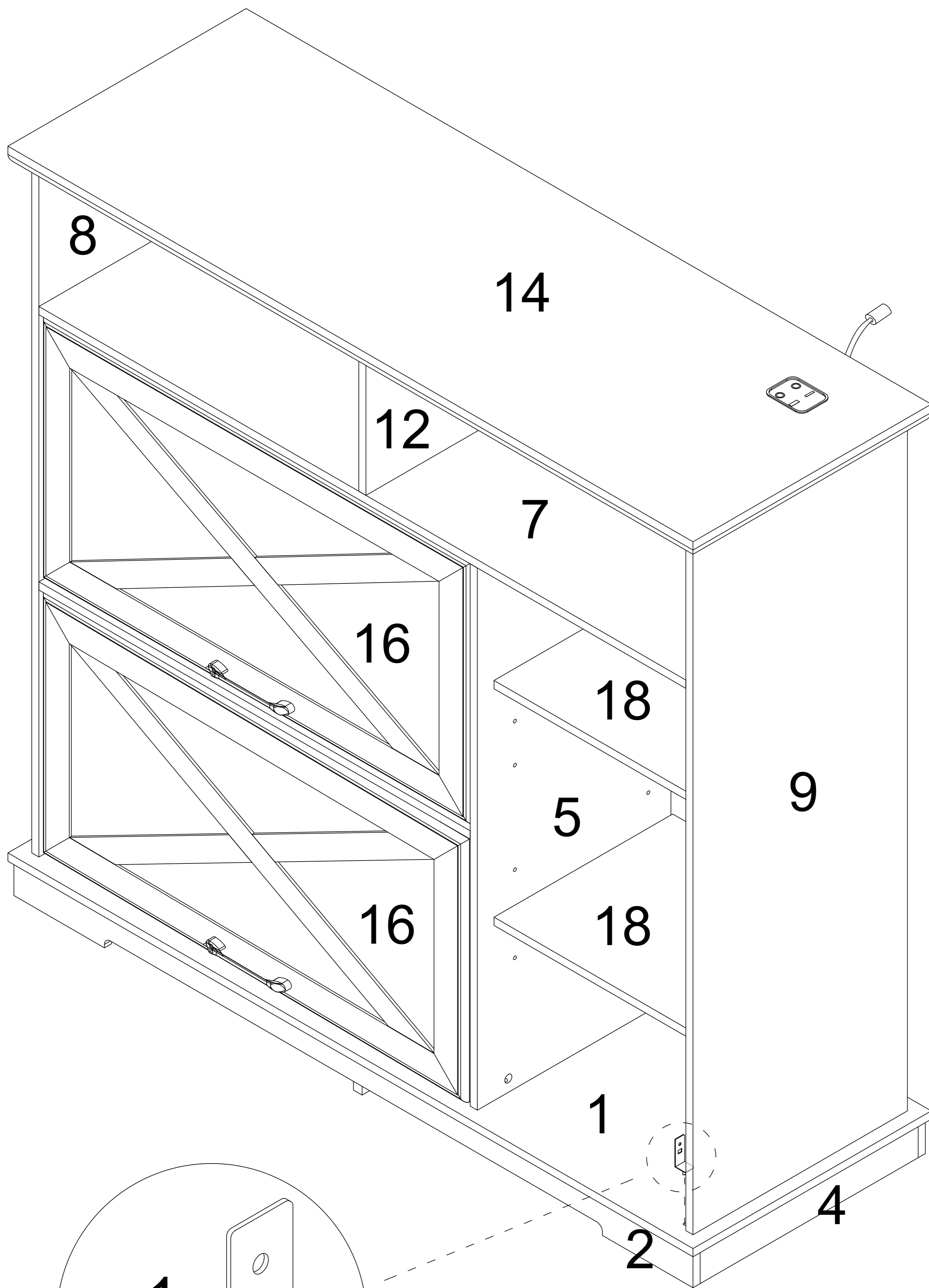


# Step 36

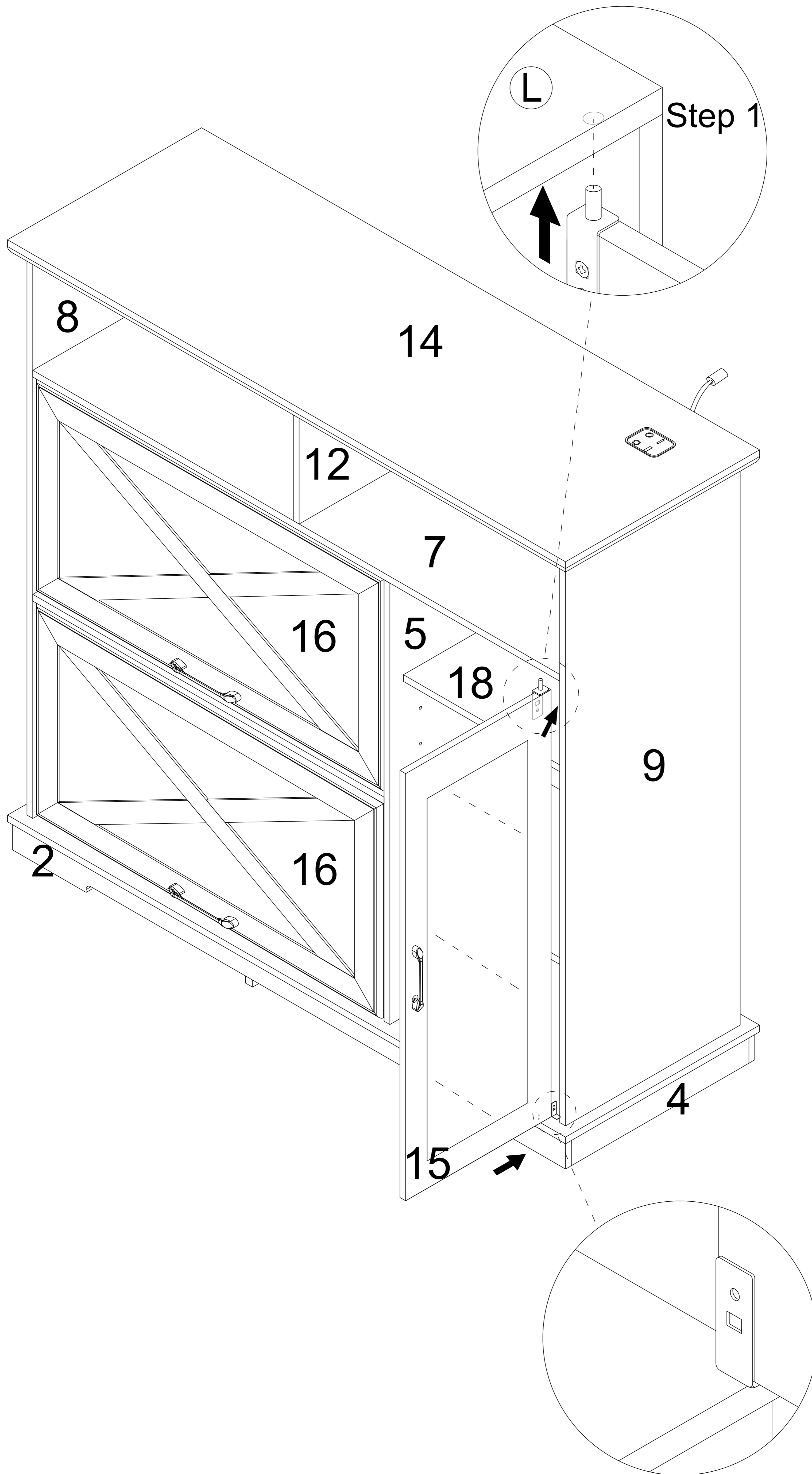
F



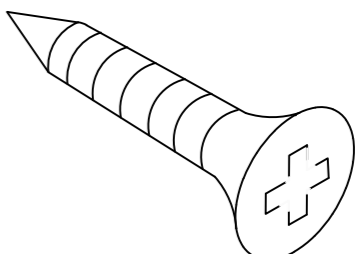
x1

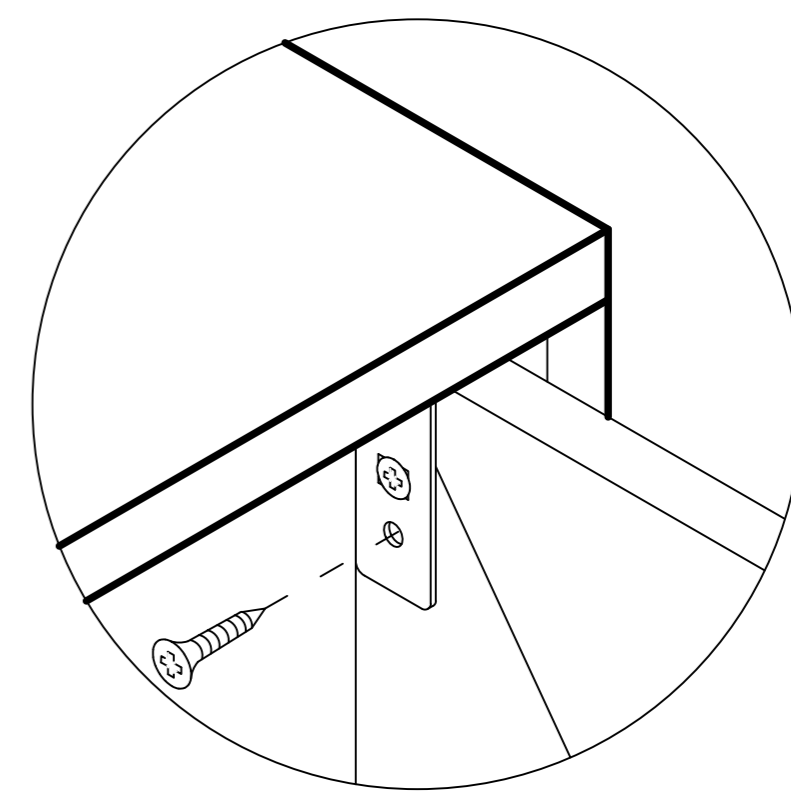
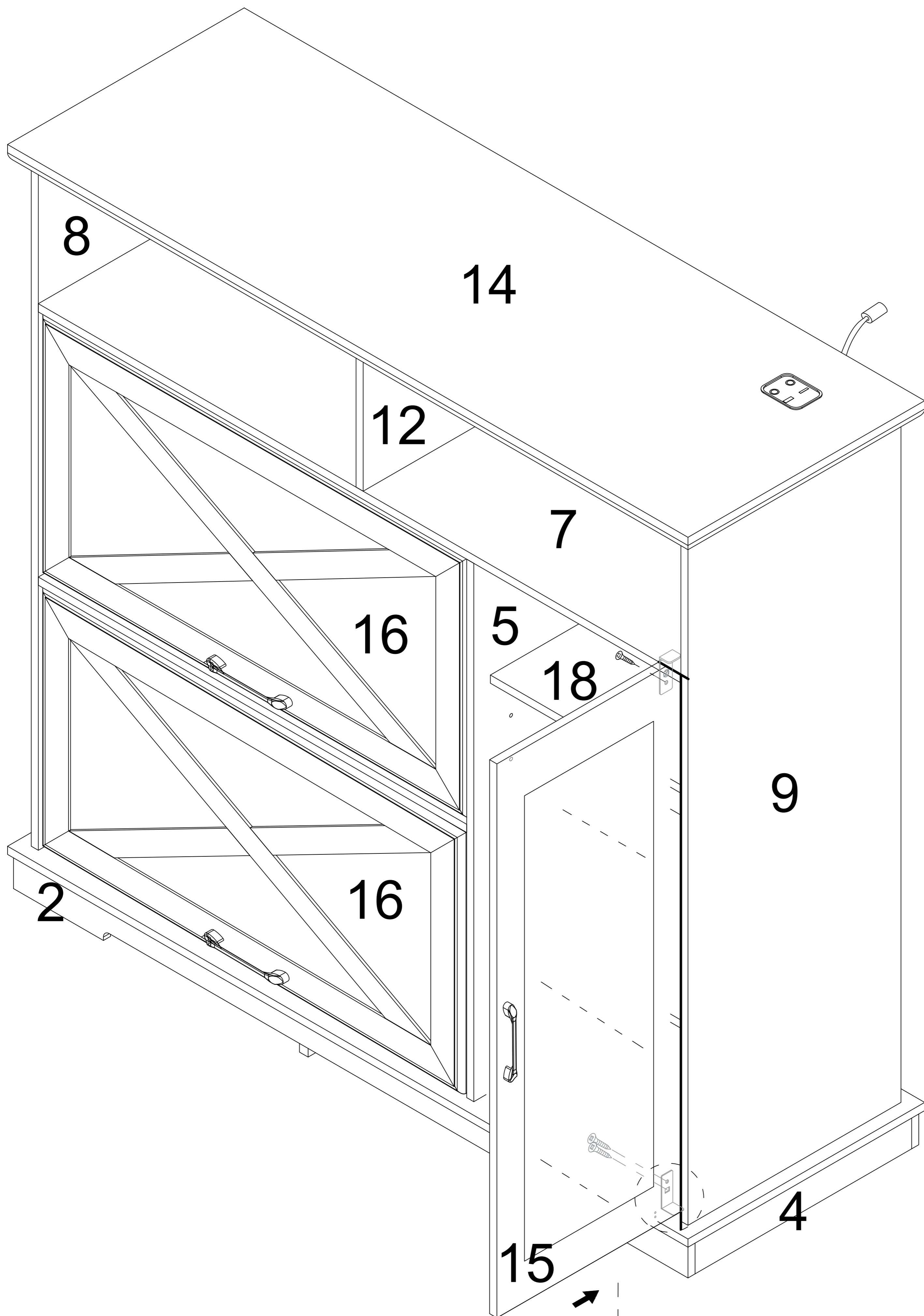


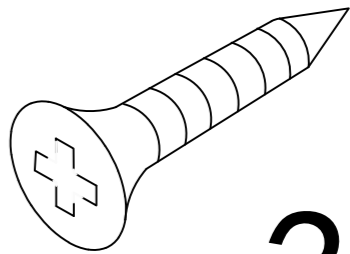
Step 37

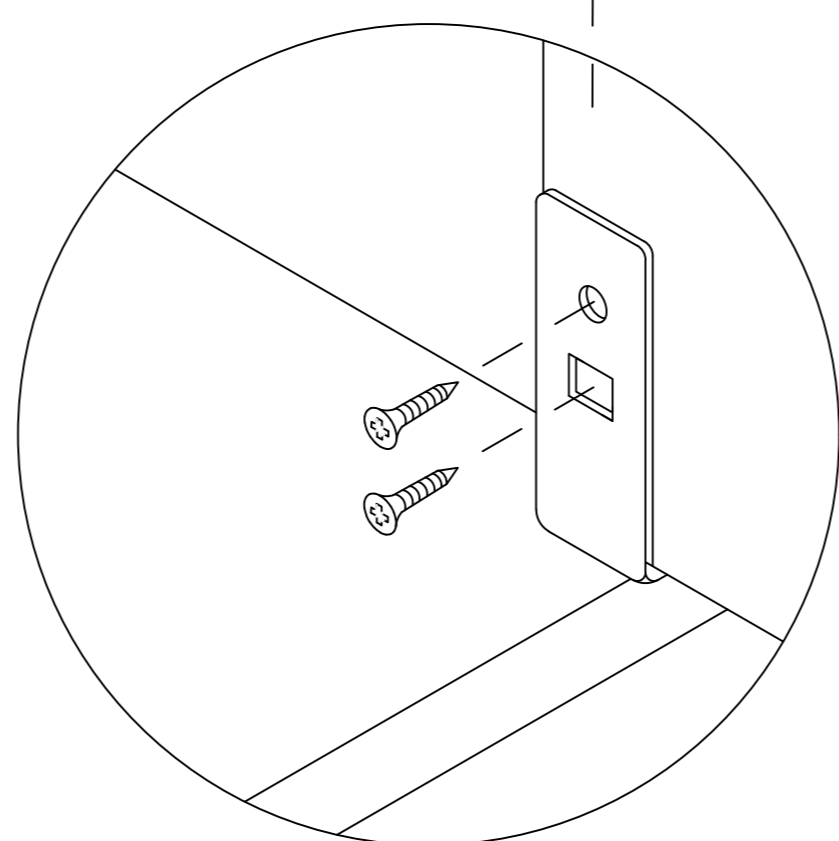


# Step 38

F  x3

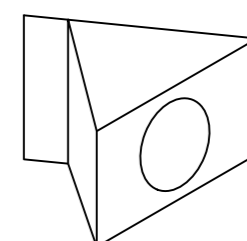


F  x3

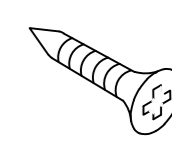


# Step 39

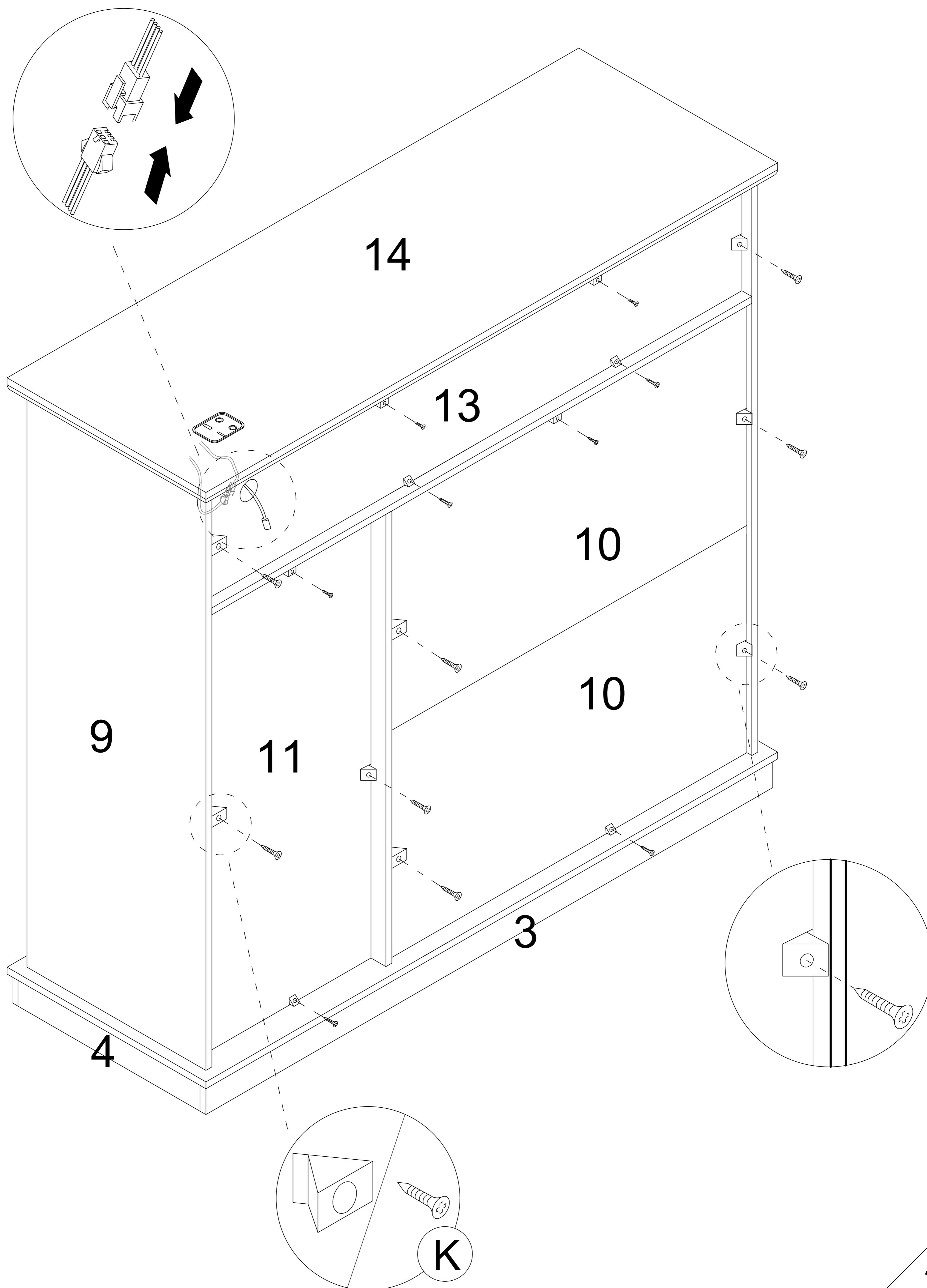
K



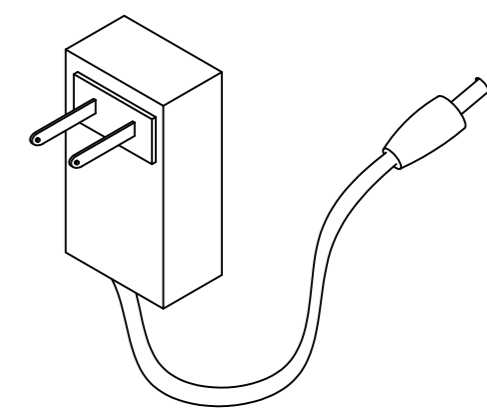
x16



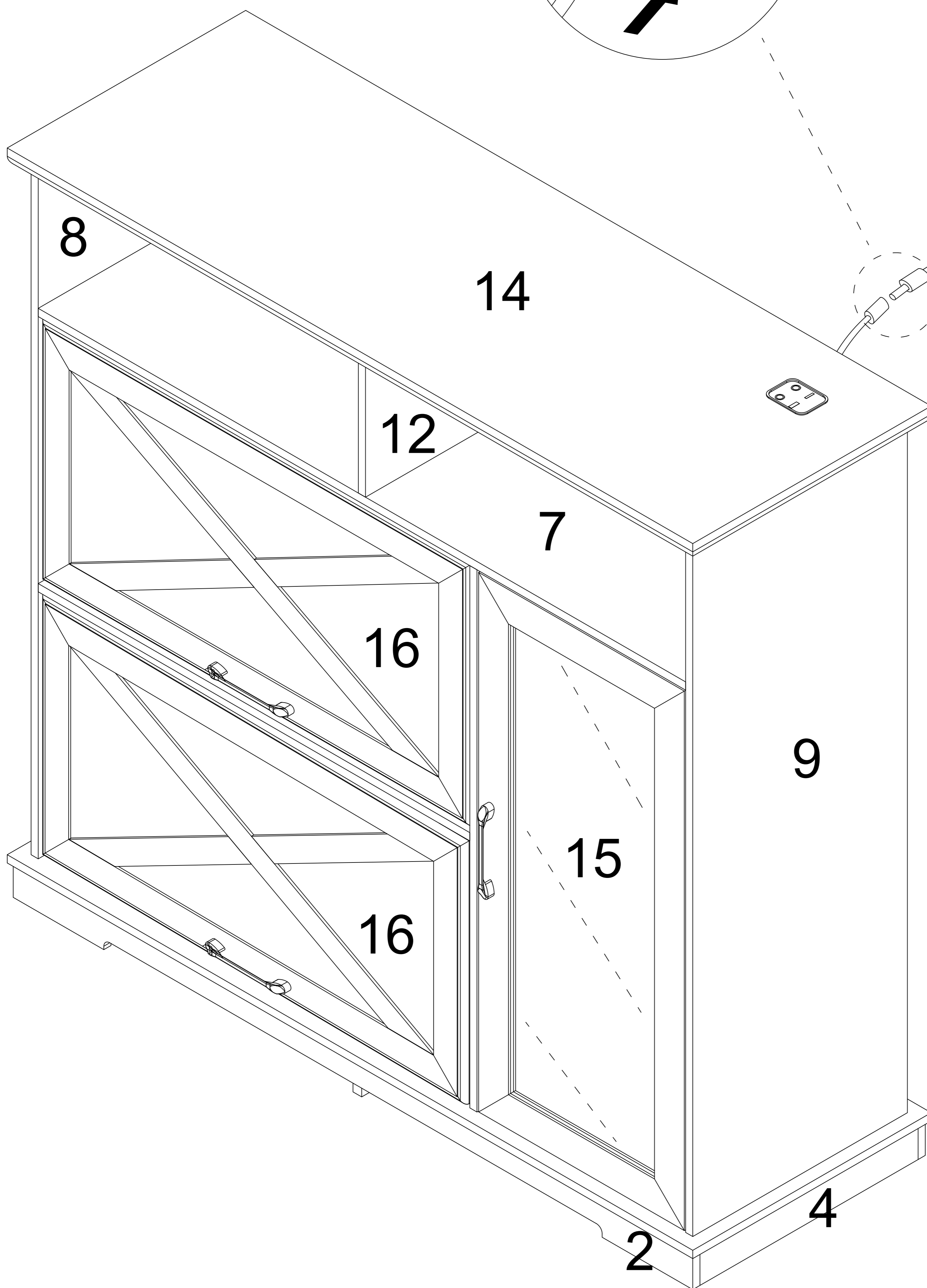
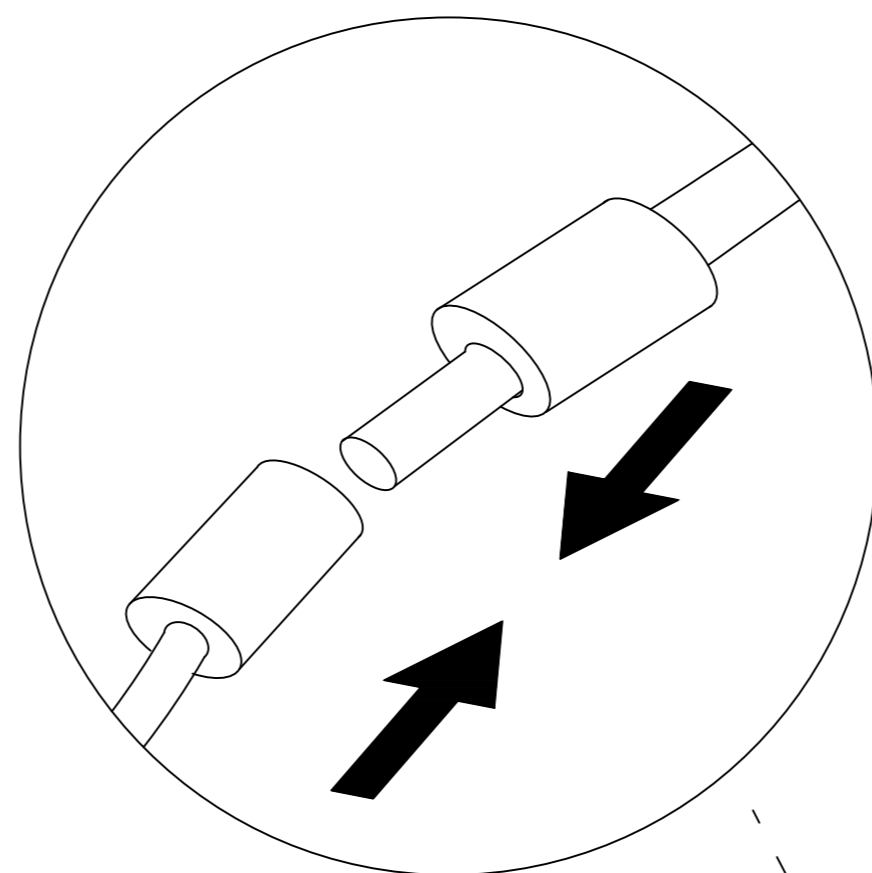
x16



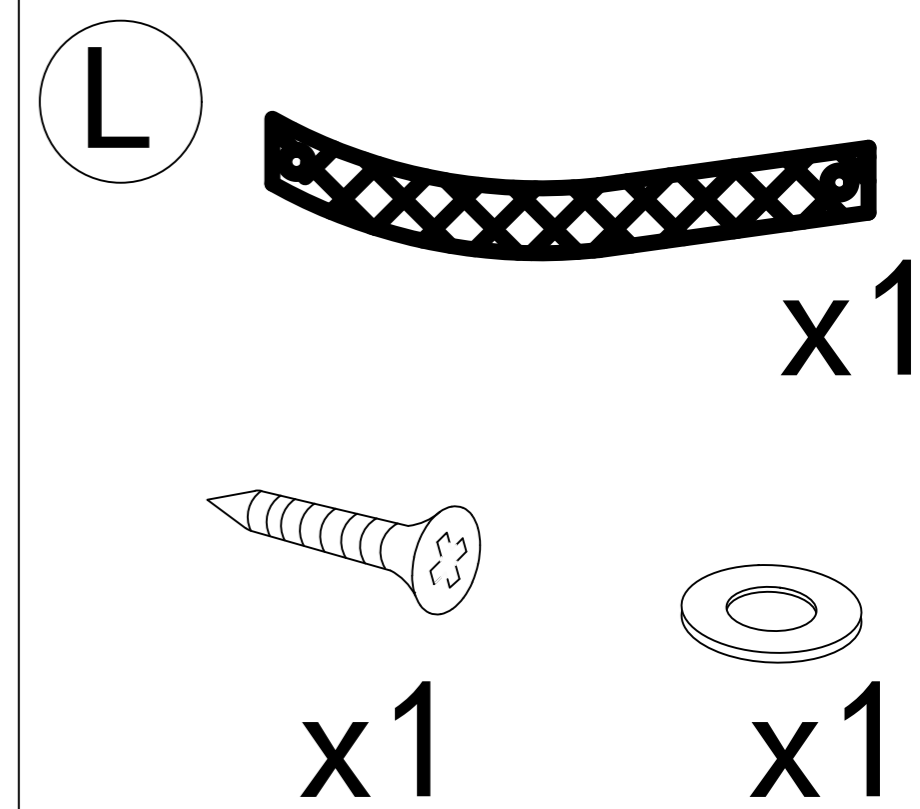
# Step 40



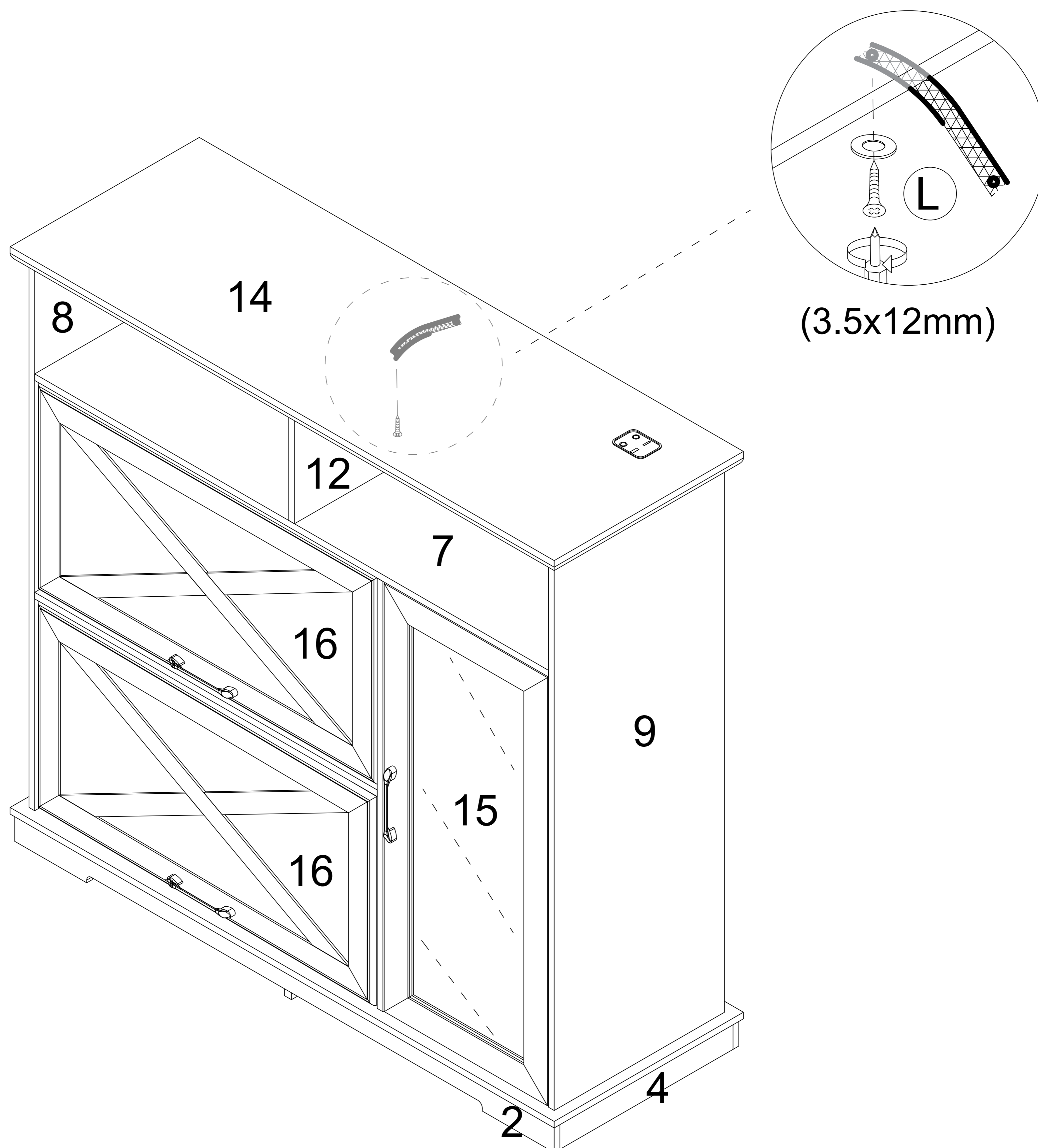
x1



# Step 41



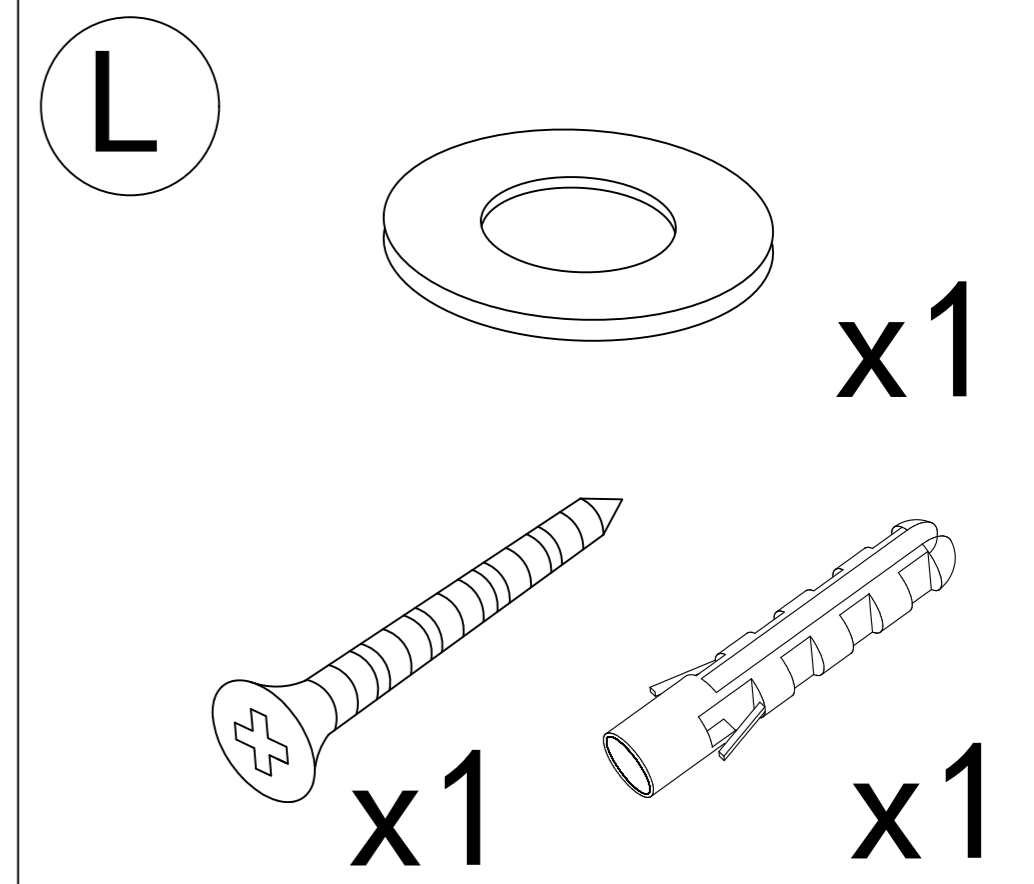
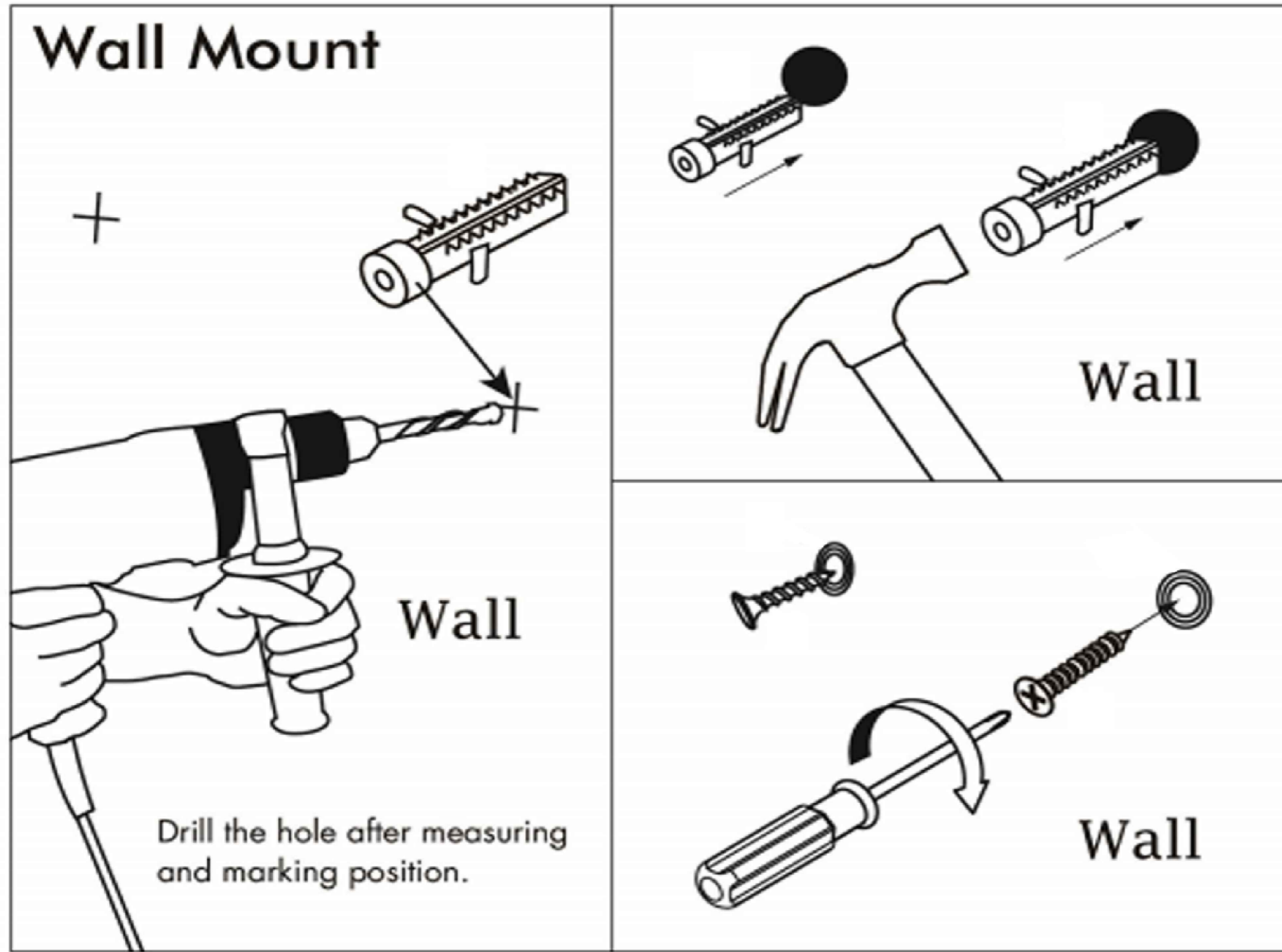
Choose installation as needed



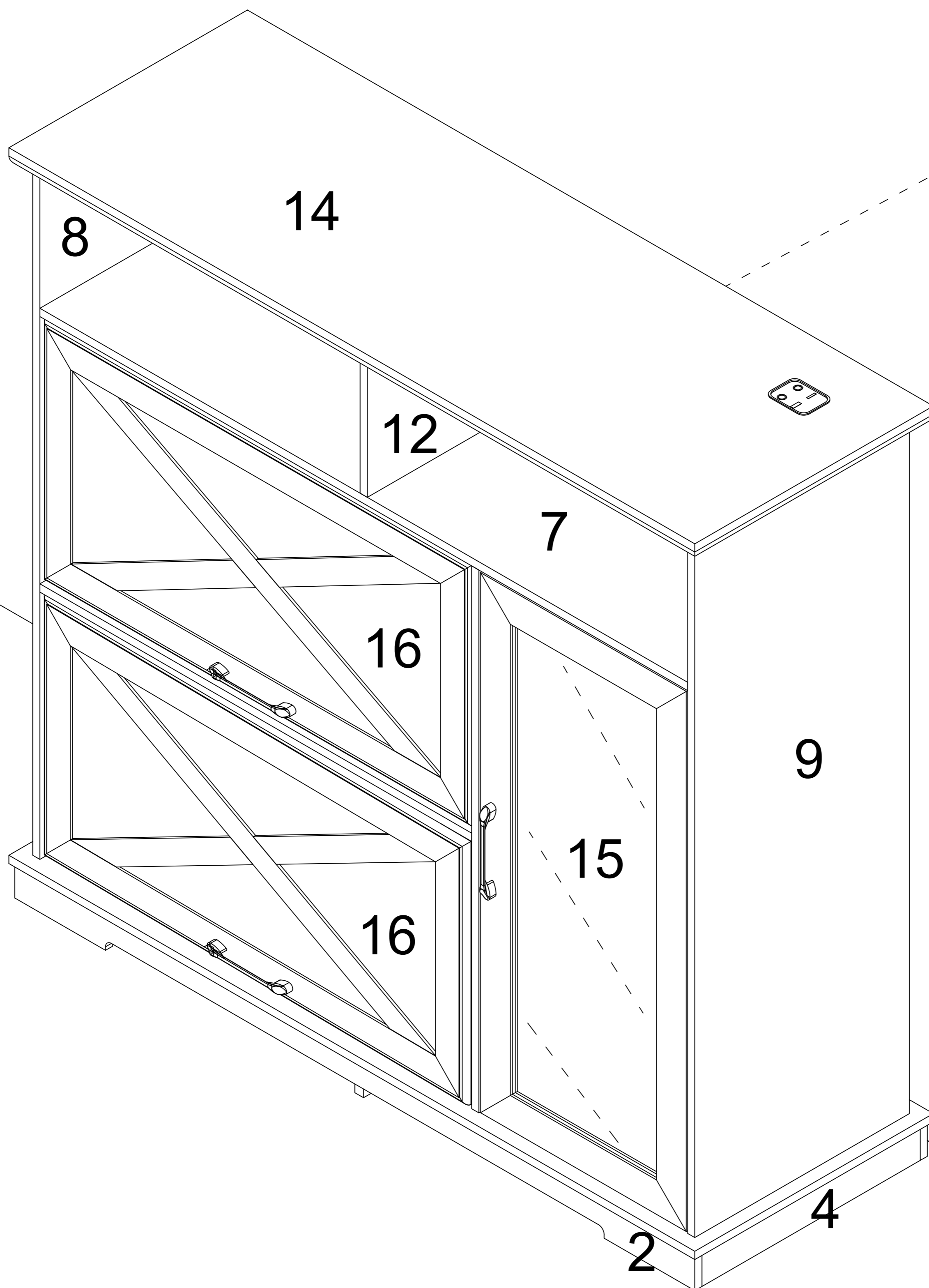
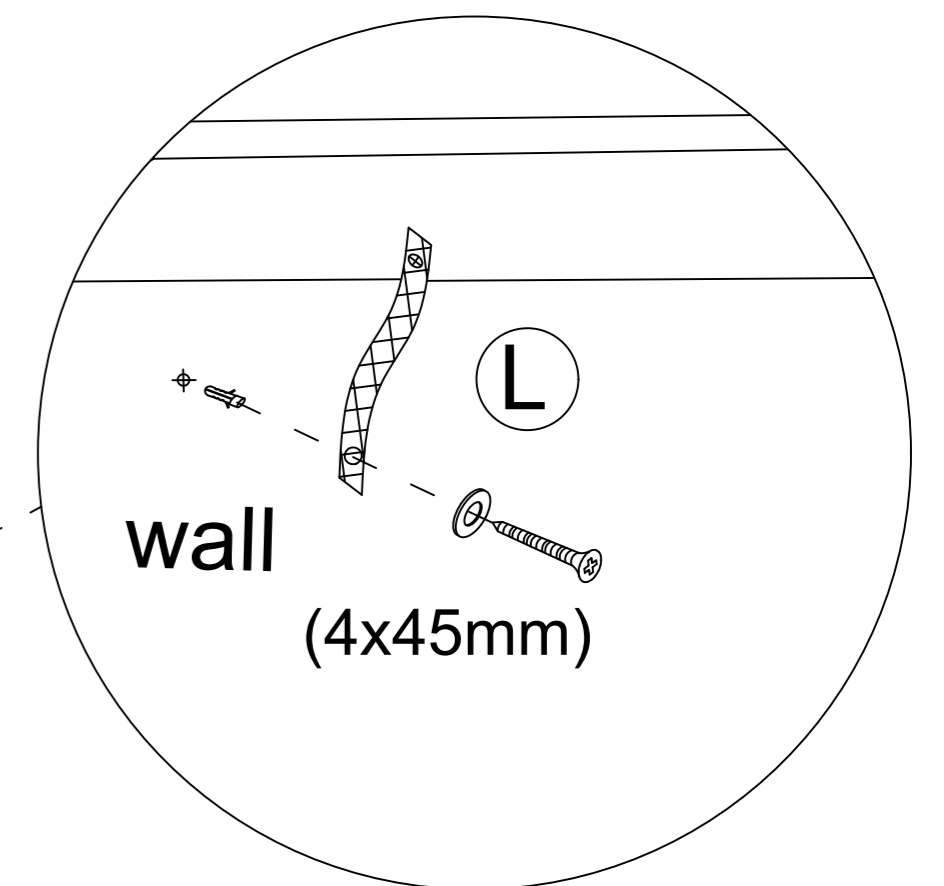
Install anti rewind tape at the edge of the board to prevent insufficient length when connecting to the wall

# Step 42

Choose installation as needed



# wall



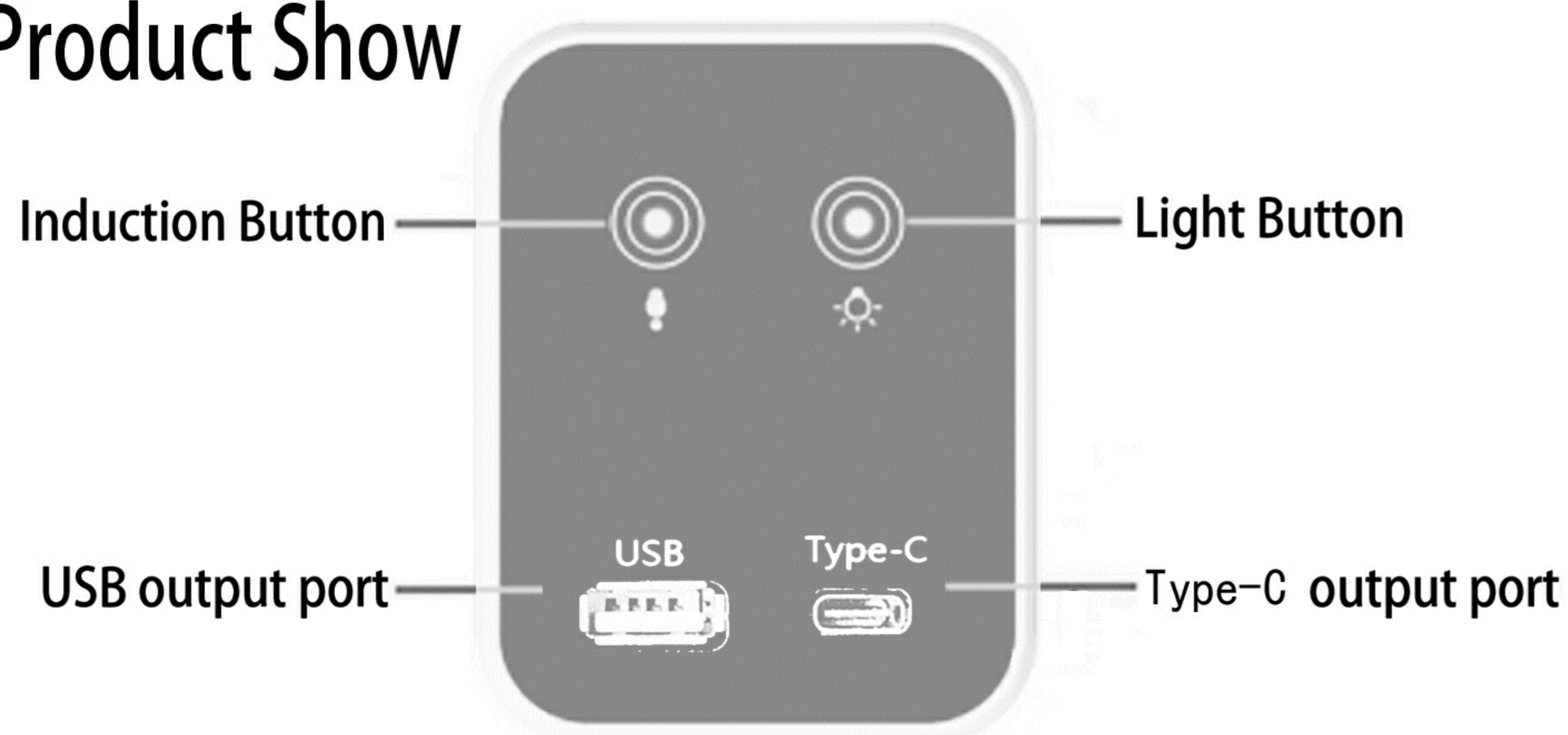
## User's Guide

Thank you for purchasing this product. To use this product, please plug it into a 12V DC power supply. Please use if the product works normally after connecting to power.

## Introduction

The box is an intelligent controller. It has 1 USB port and 1 type-C port and can distribute the current output up to 5V DC-2A. With 2 touch buttons, it can turn ON/OFF the light, change light colors, and adjust the light luminance.

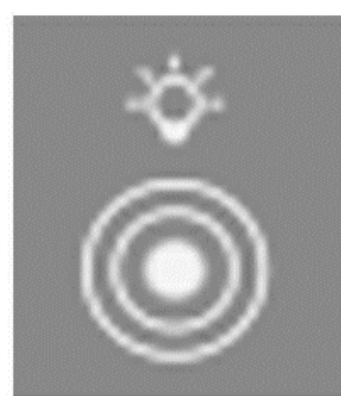
## Product Show



### ATTENTION PLEASE

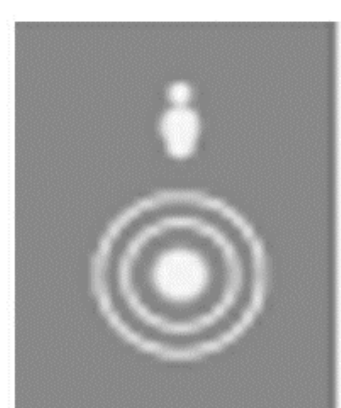
1. If there is no touch response suddenly, Re-plug the power to reset the touch static electricity.
2. If bubbles appear on the panel, remove the protective film.

## Operation



This touch button is used to turn on/off, change colors, and adjust brightness.

A. Short touch -> lighting on -> short touch -> change light color -> short touch -> change light color -> short touch -> lighting off. B. Long touch -> adjust the luminance



This touch button is used to turn on/off the induction function.

A . Short touch to turn on the induction function. It can auto-turn on the light when people are close to the controller in 1 meters. It can auto power off the light when the body is far away from the controller after 30 seconds.

B . Long touch to turn off the induction function.

C . Note: When you touch the light button to change the light modes, the induction function will automatically turn off. It is best to turn on this function after selecting the light color and adjusting the brightness you want.