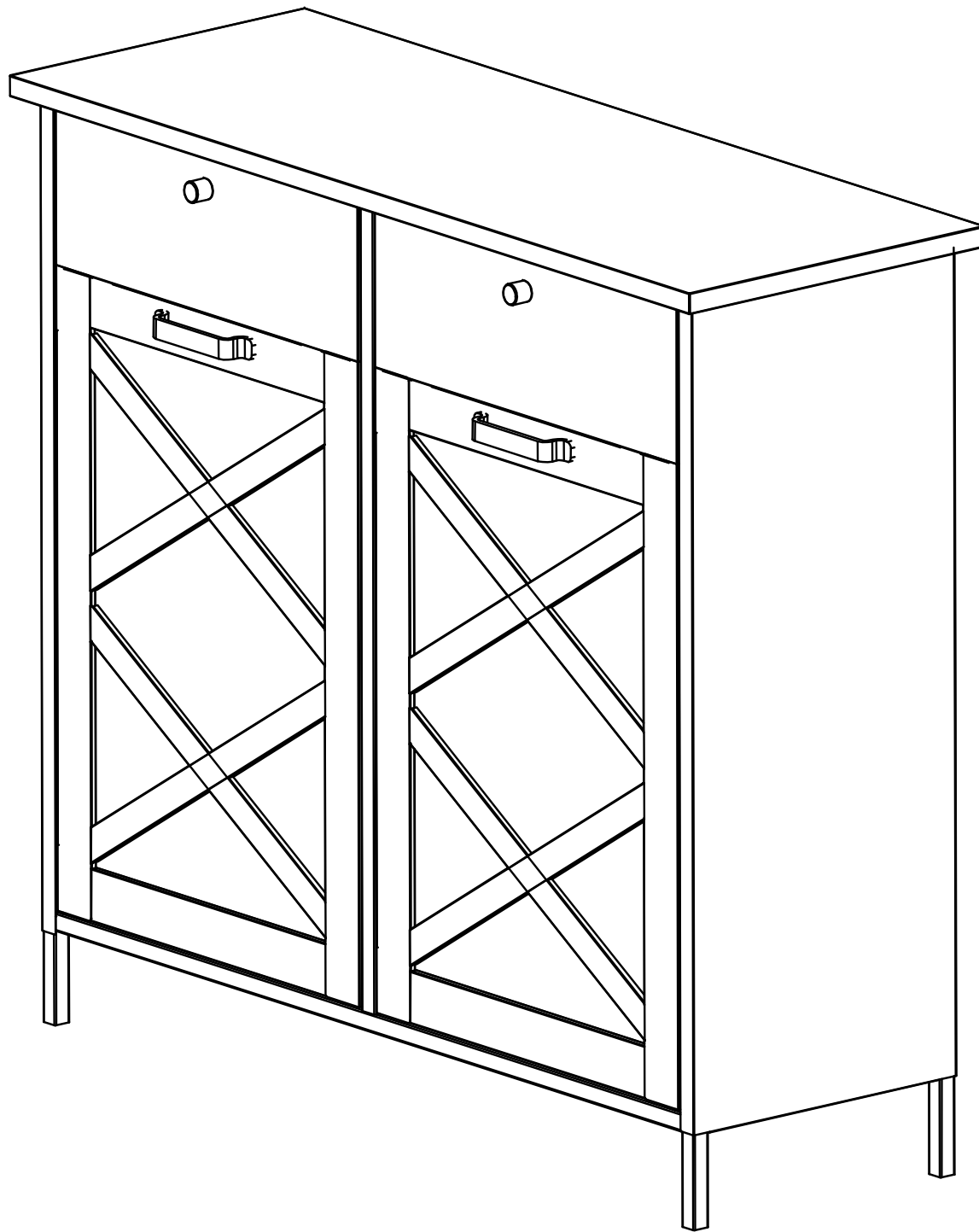


ASSEMBLY INSTRUCTION of SS13282

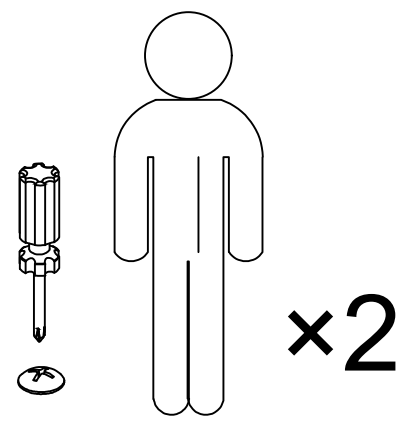
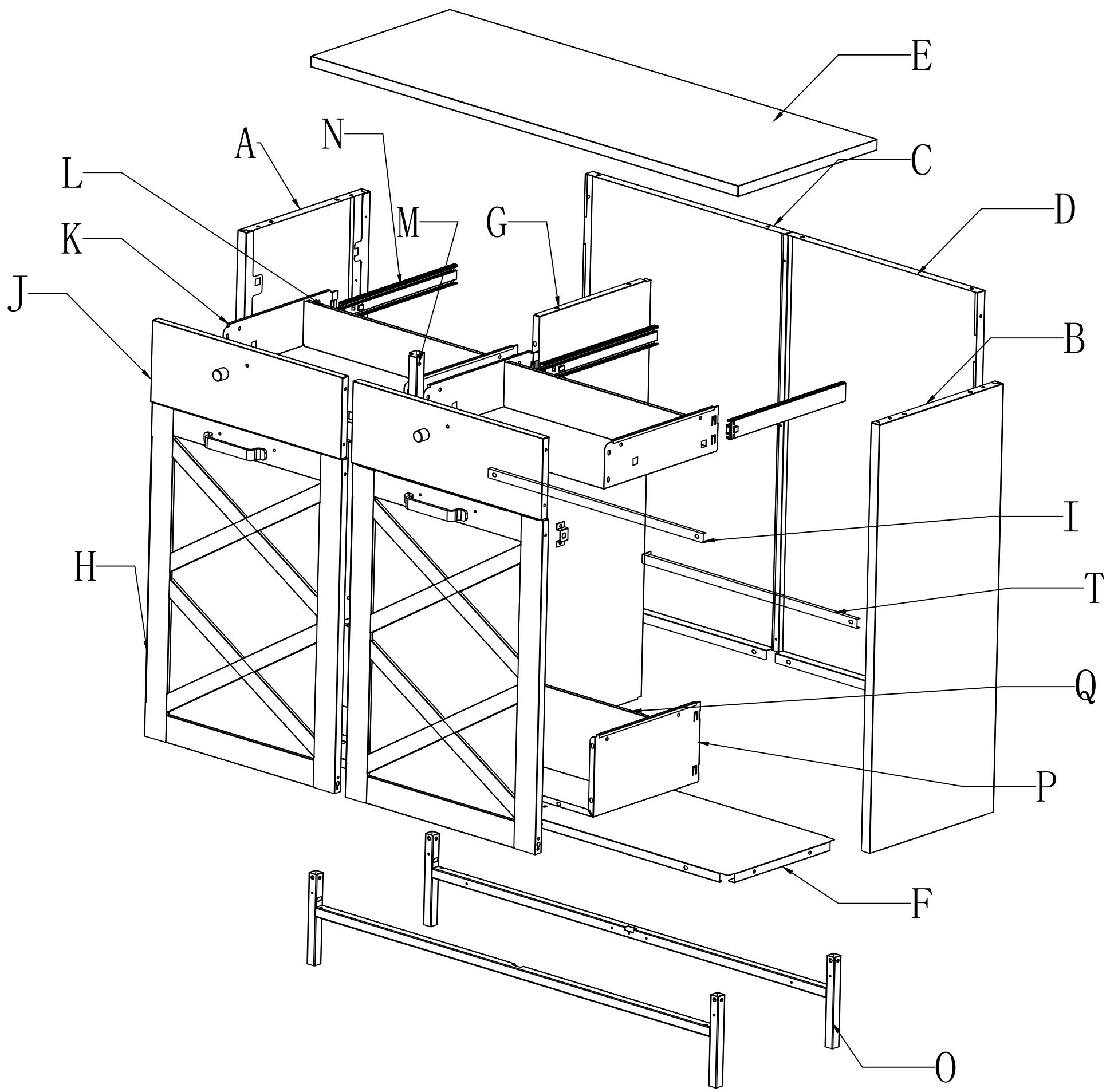
Steel Double Trash Can

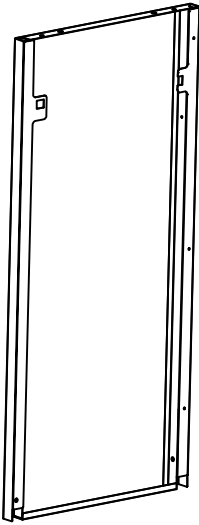
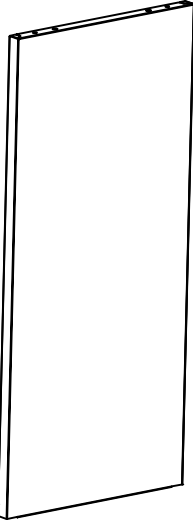
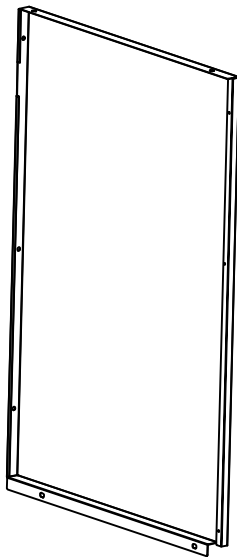
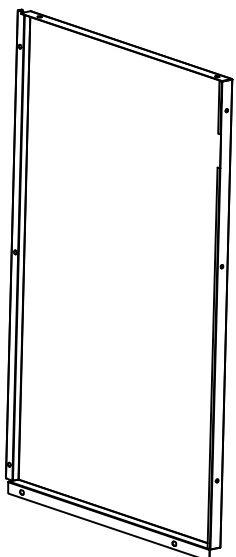
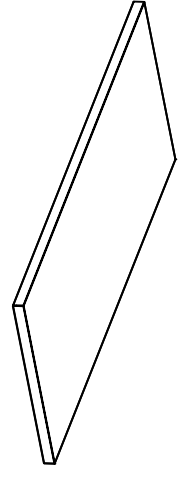
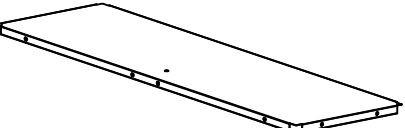
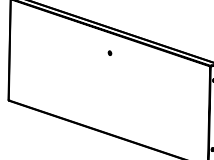
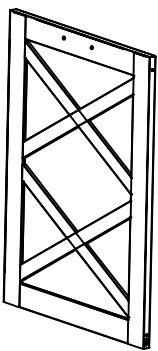

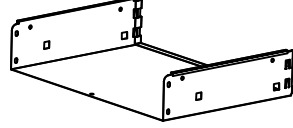
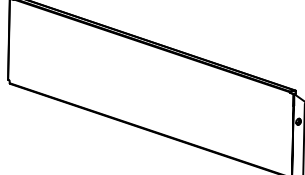


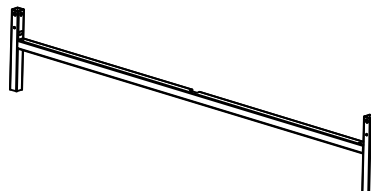
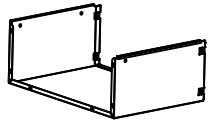
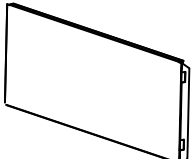
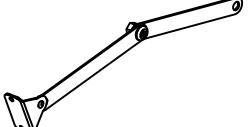

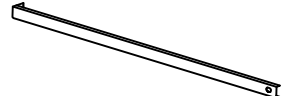

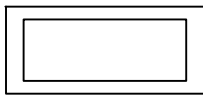
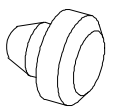
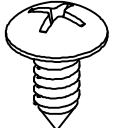
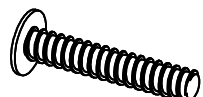

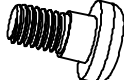


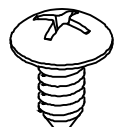
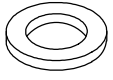
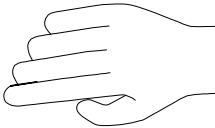
Thank you for choosing our product! Please review the parts listed below and carefully read this manual before starting assembly. Follow the steps provided, and feel free to contact us with any questions. Keep this manual for future reference.



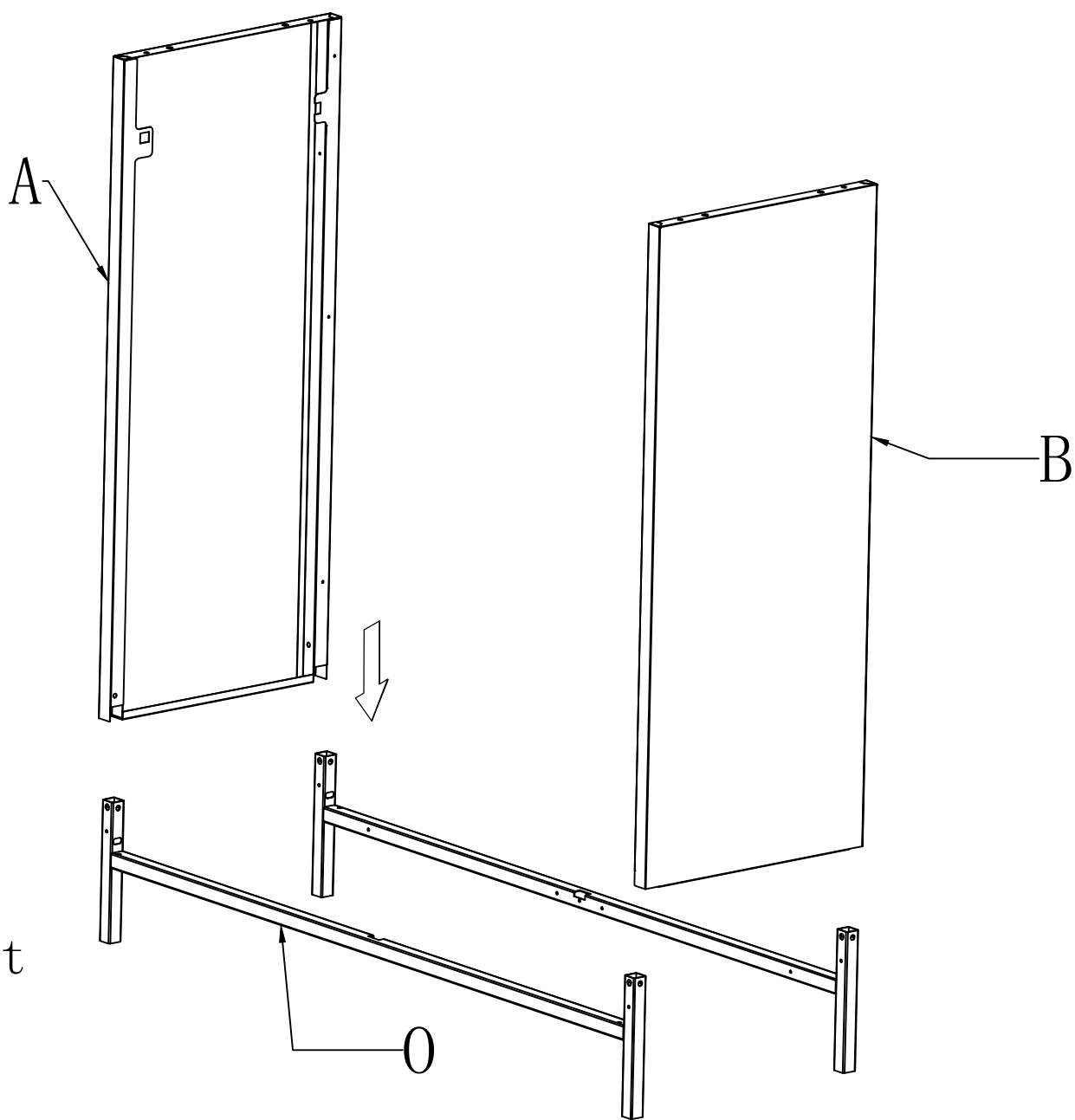
Attention

1. All parts are packed in a single box. Please refer to the parts list to verify that all components are included.
2. Use caution when unpacking with a knife to avoid accidentally scratching the product's surface.
3. We greatly value your experience. If you encounter any issues—whether related to delivery, assembly, usage, or post-purchase care—please contact us promptly. Our products come with a one-year warranty and lifetime customer service.
4. Please keep children away during installation. This product contains small parts that may pose a choking hazard if swallowed.



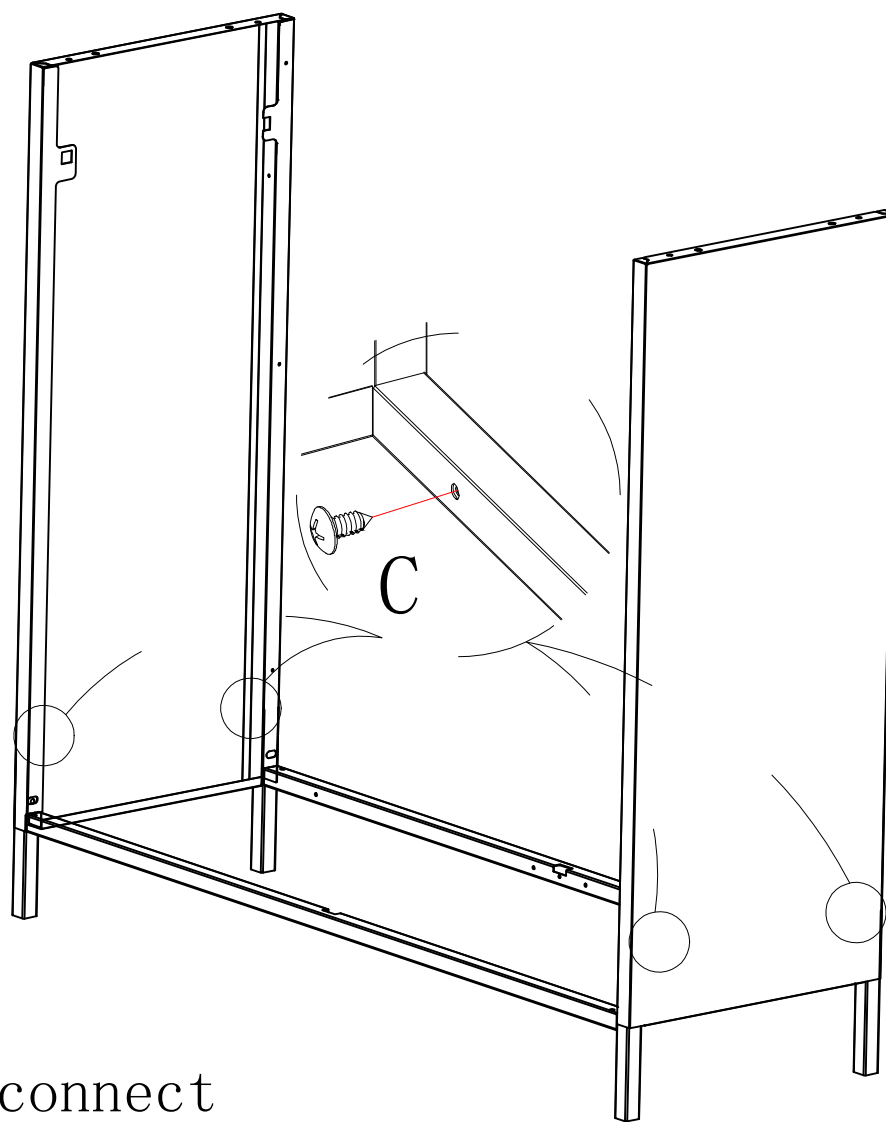
				
A × 1 Left side panel	B × 1 Right side panel	C × 1 Left tergum	D × 1 Right tergum	E × 1 Top tray
				
F × 1 Baseplate	J × 2 Front drawer panel	H × 2 Door	G × 1 Center riser	K × 2 Drawer
				
L × 2 Back drawer panel	M × 1 Vertical bar	N × 2 Slideway	O × 2 Underframe	P × 2 Bottom drawer
				
Q × 2 Bottom drawer panel	R × 2 Hinge	S × 2 Connector	T × 1 Right drawer trabecula	I × 1 Left drawer trabecula
		 5 × 10		
a × 4	b × 4	c × 66	d × 4	e × 2
			 4 × 8	
f × 2	g × 2	h × 2	j × 4	k × 4
				
X 2				

1

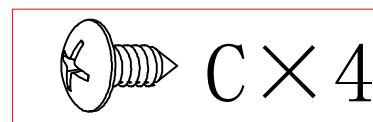


Install the left side plate A and the right side plate B and two lower frames O

2

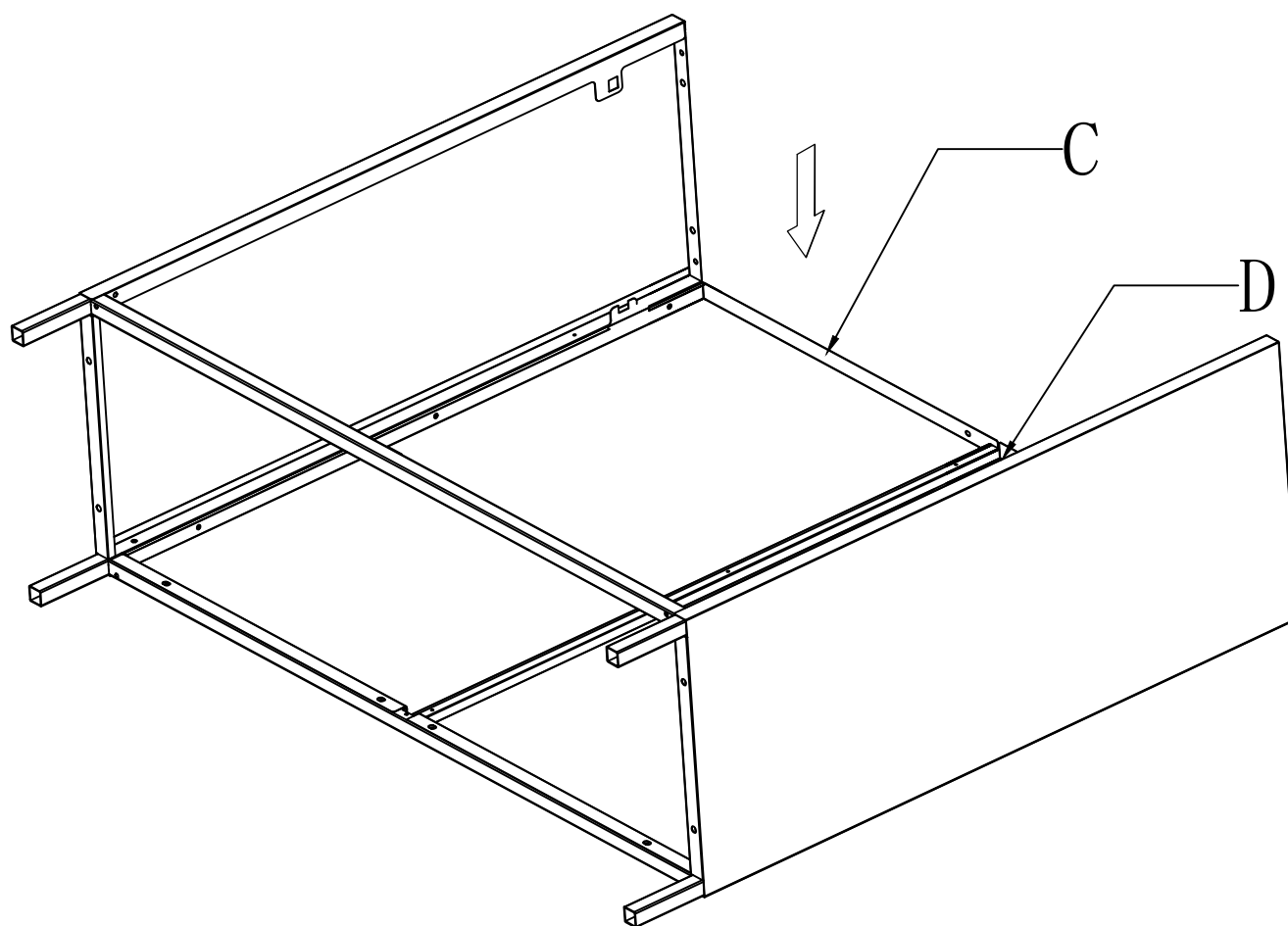


Use screw C to connect the lower frame to the side panels

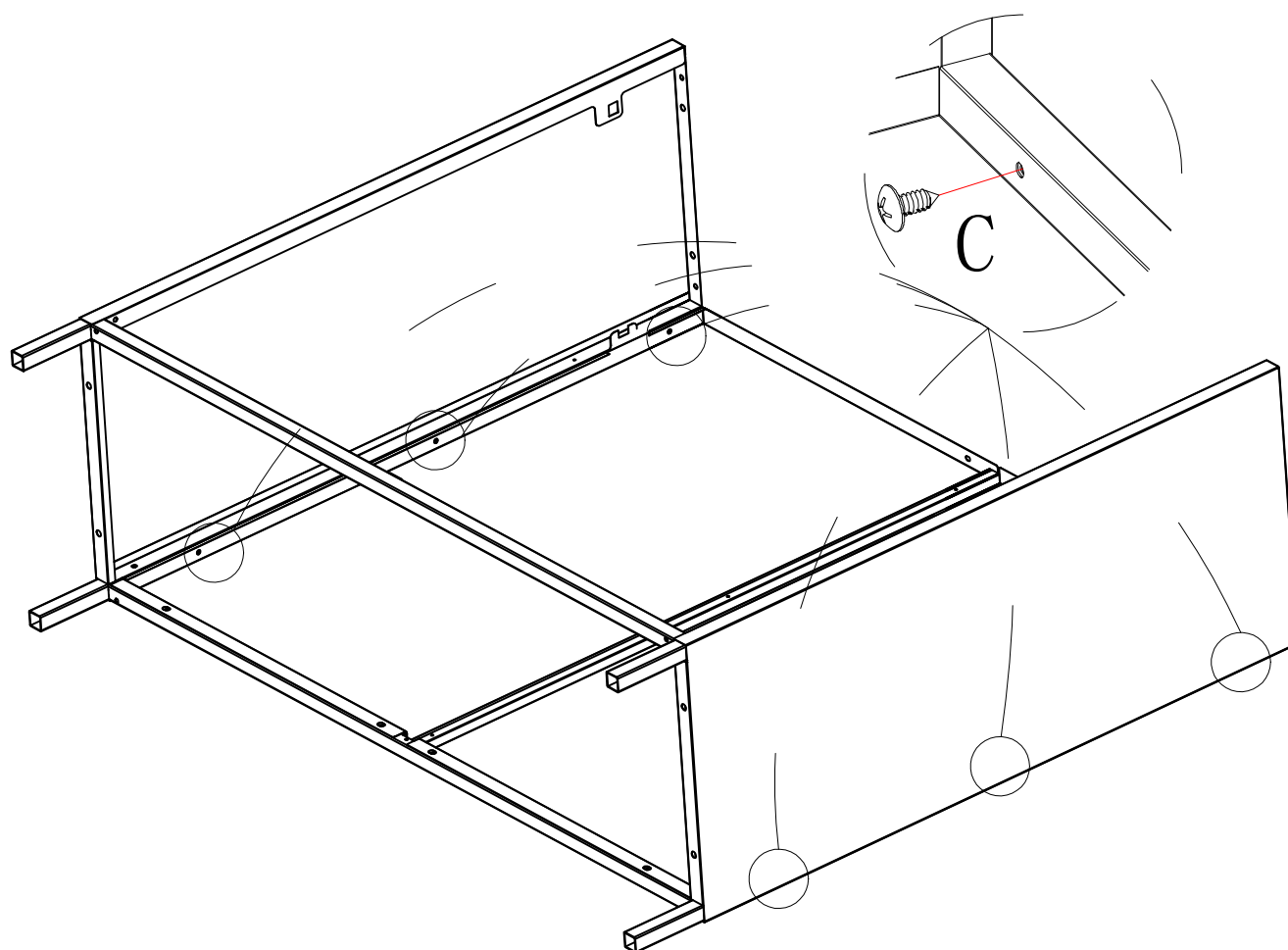


3

Install the left C
and right midplane D



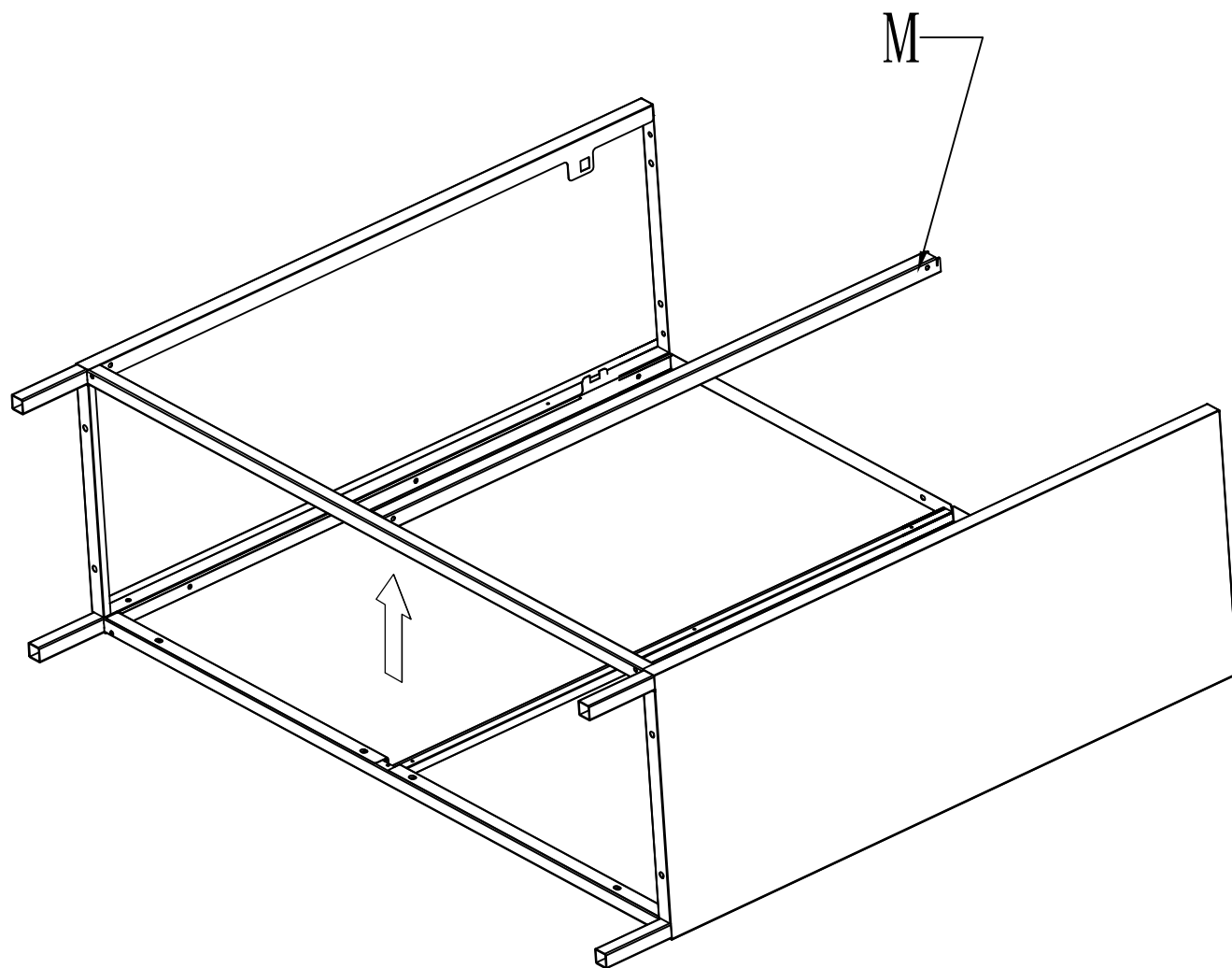
4



Use screw C to connect
the lower frame to the
side panels



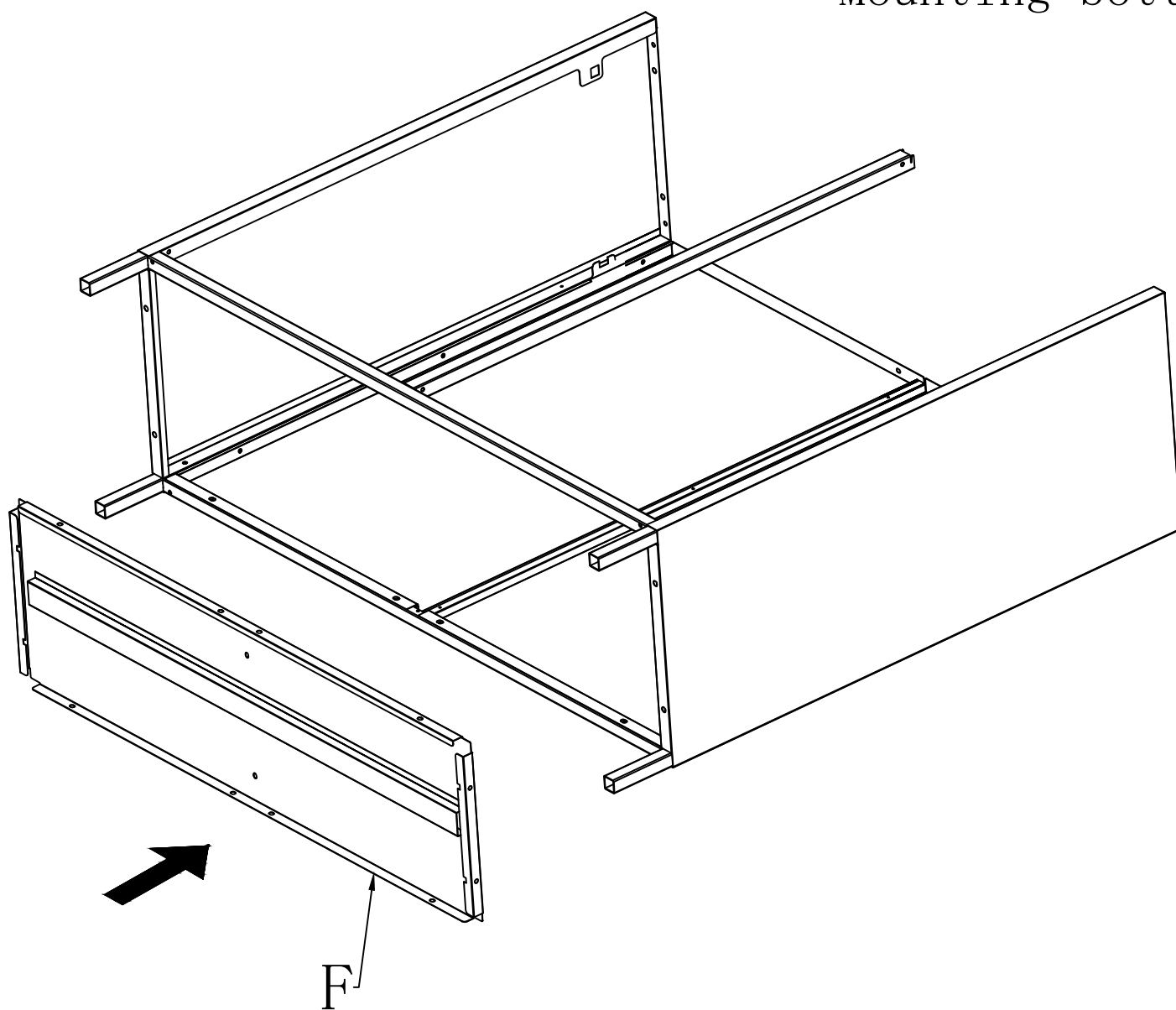
5



Vertical face in
installation M

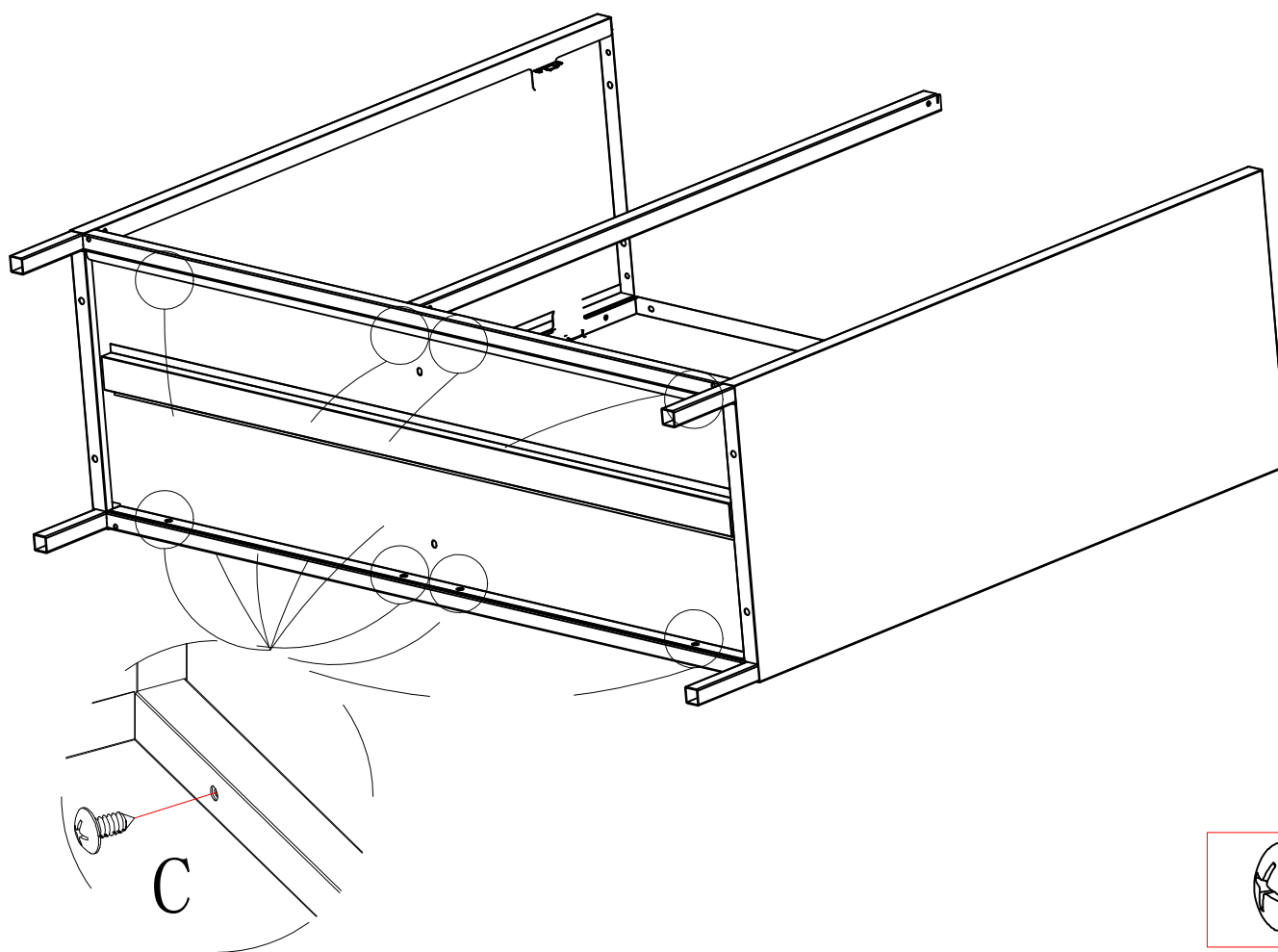
6

Mounting bottom plate F



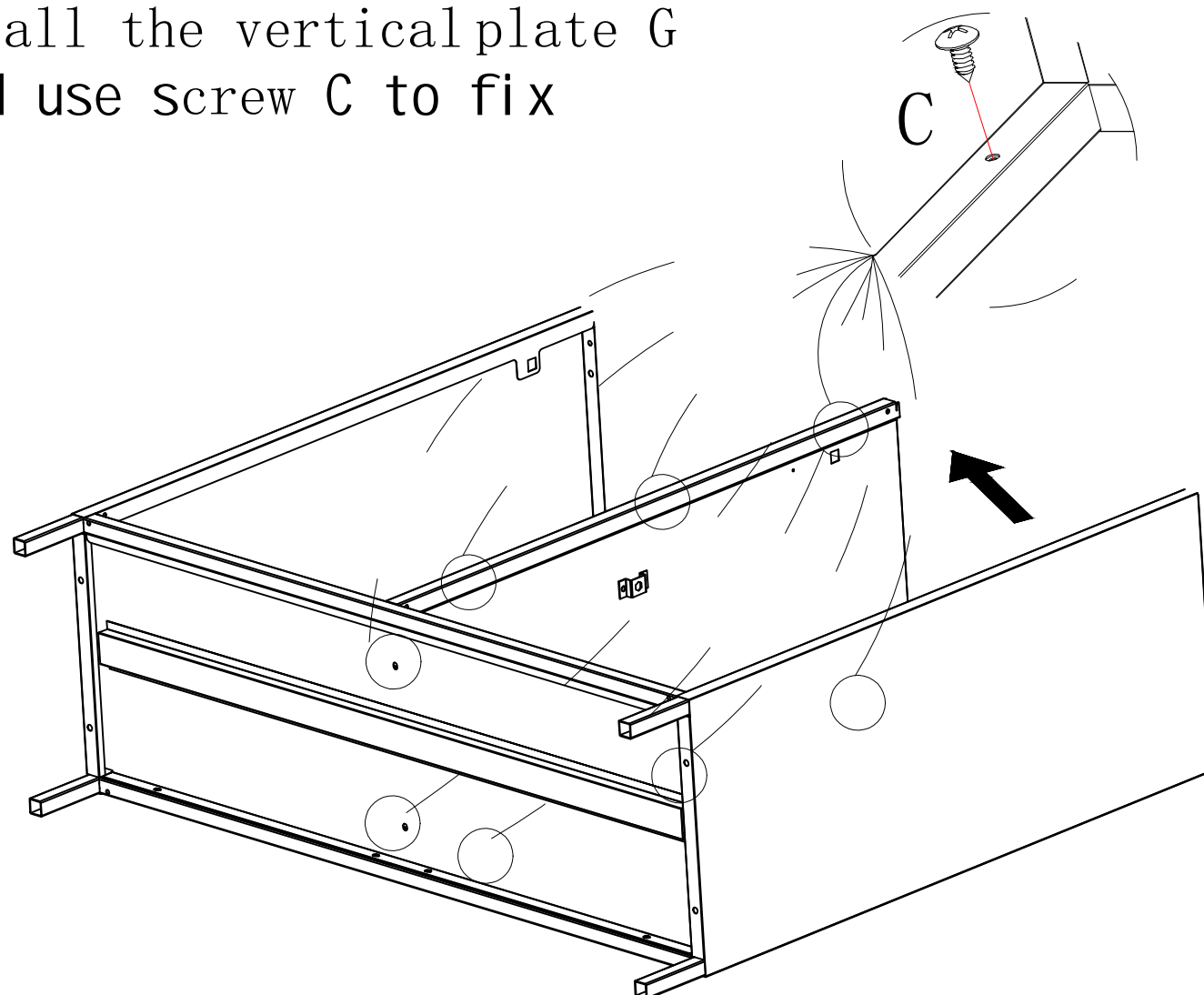
7

Use screw C to connect the lower frame to the side panels

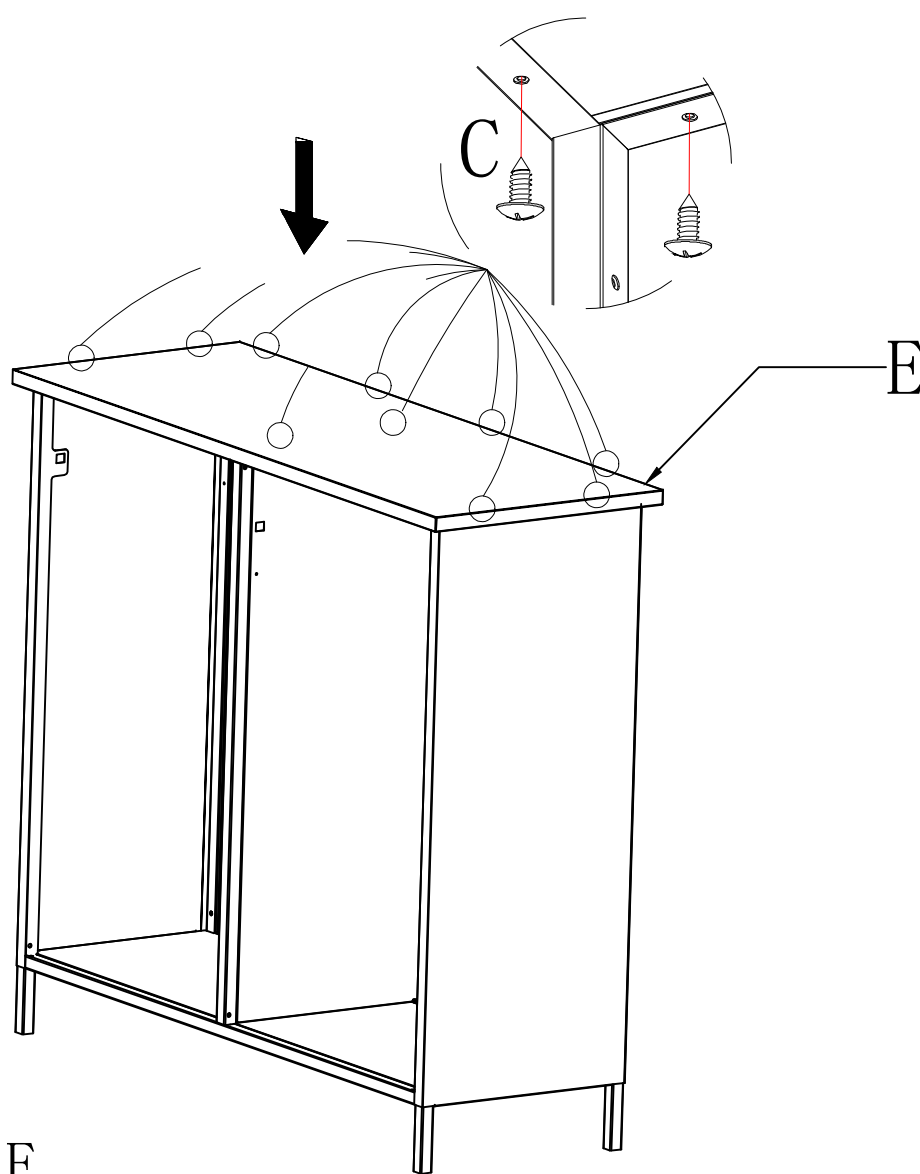


8

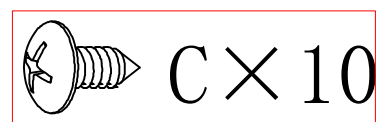
Install the vertical plate G and use screw C to fix



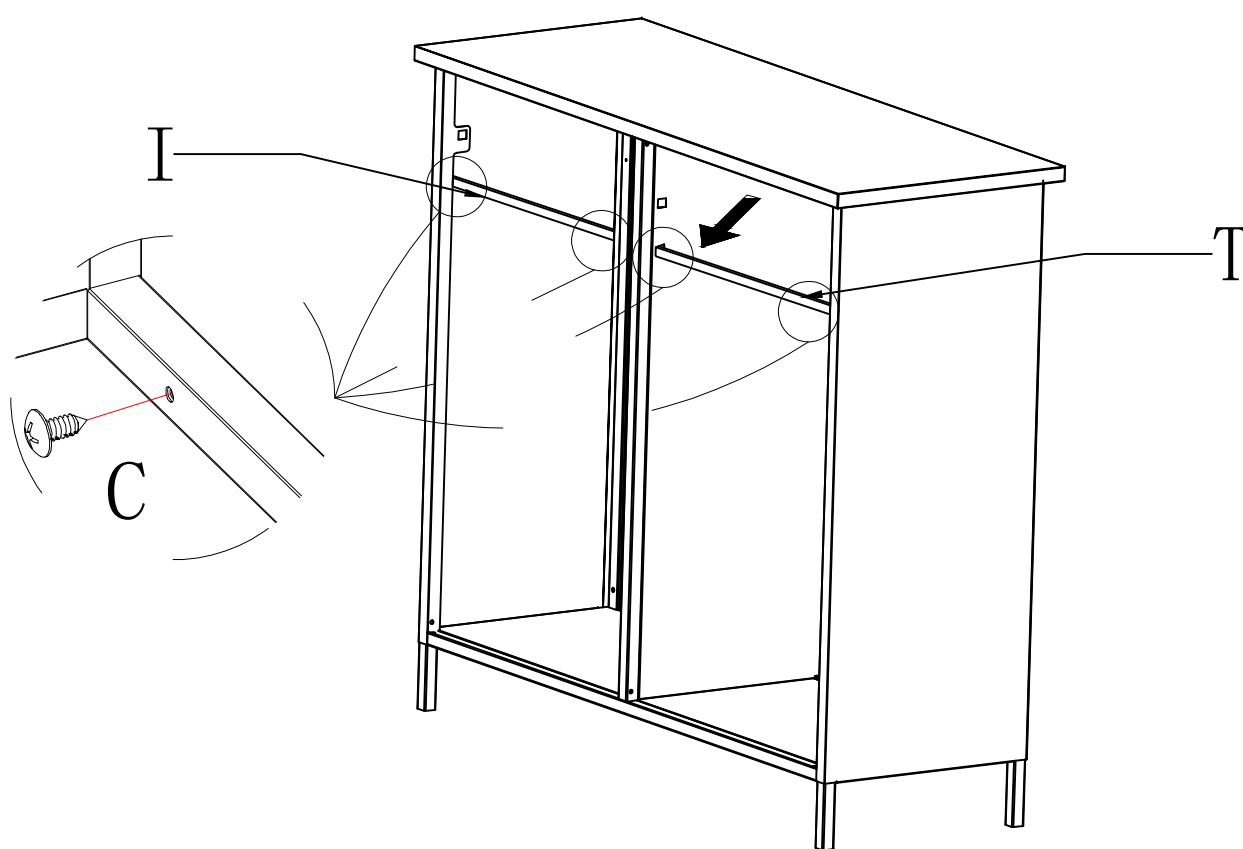
9



Install top plate E
and top plate screws



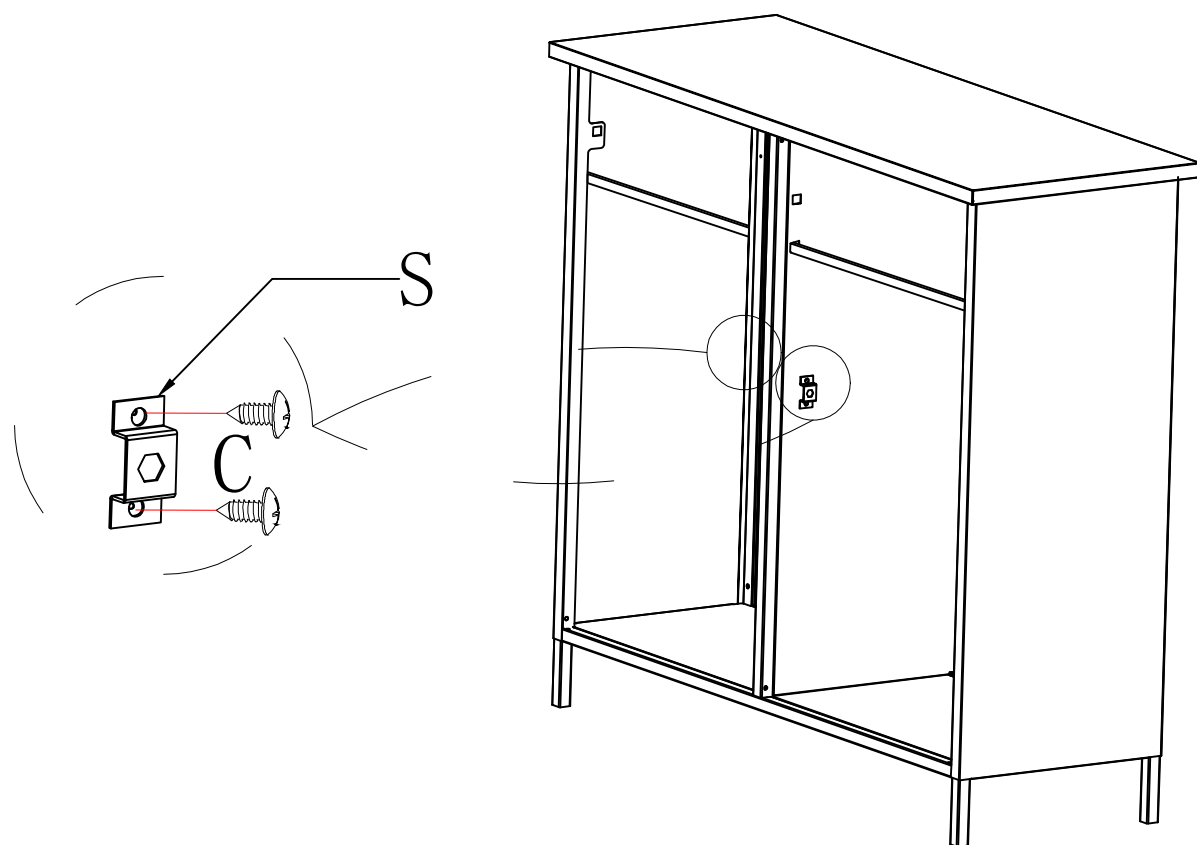
10



Install trabecula T and I



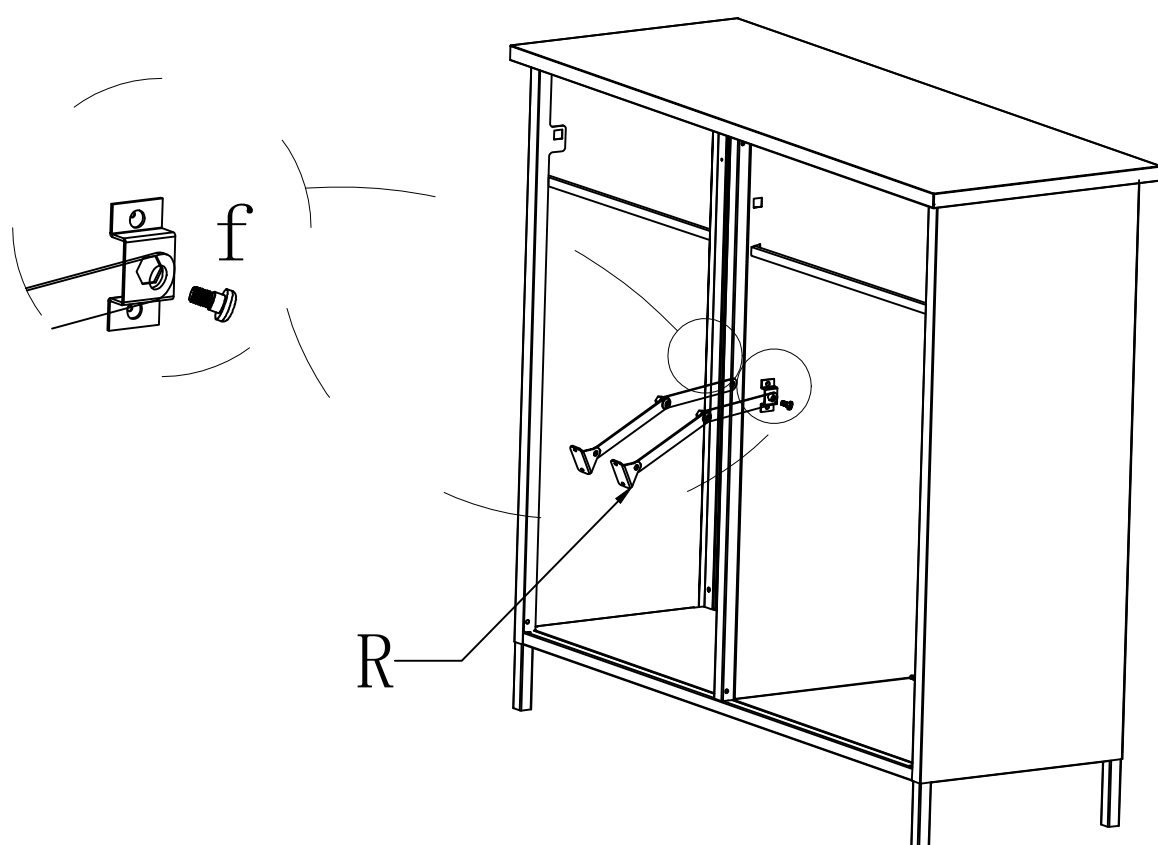
11



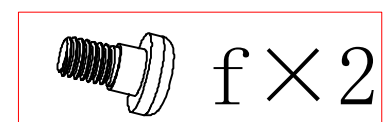
Install the connector with screw C



12

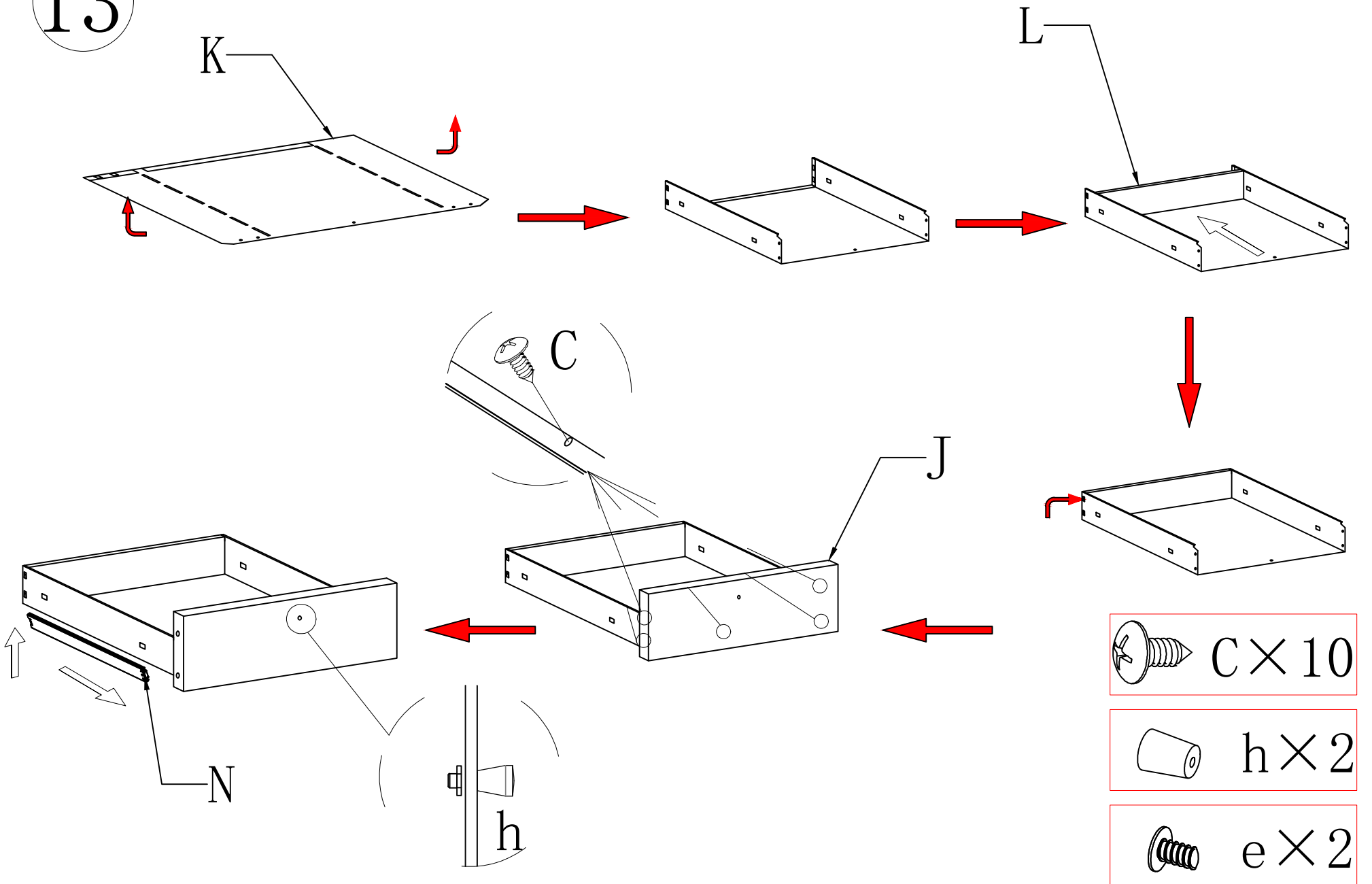


Install hinge by using screw F



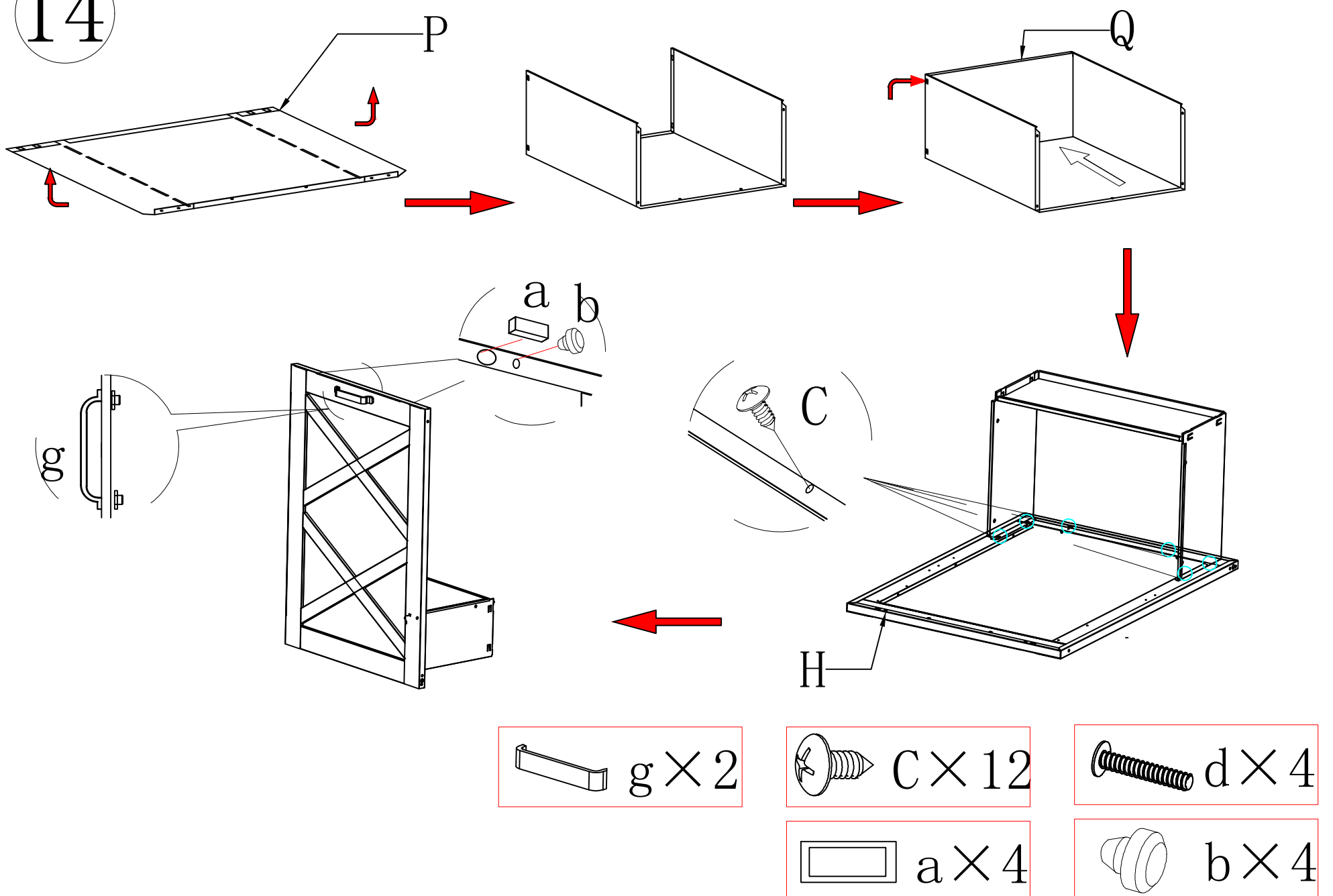
13

Install drawer and panel

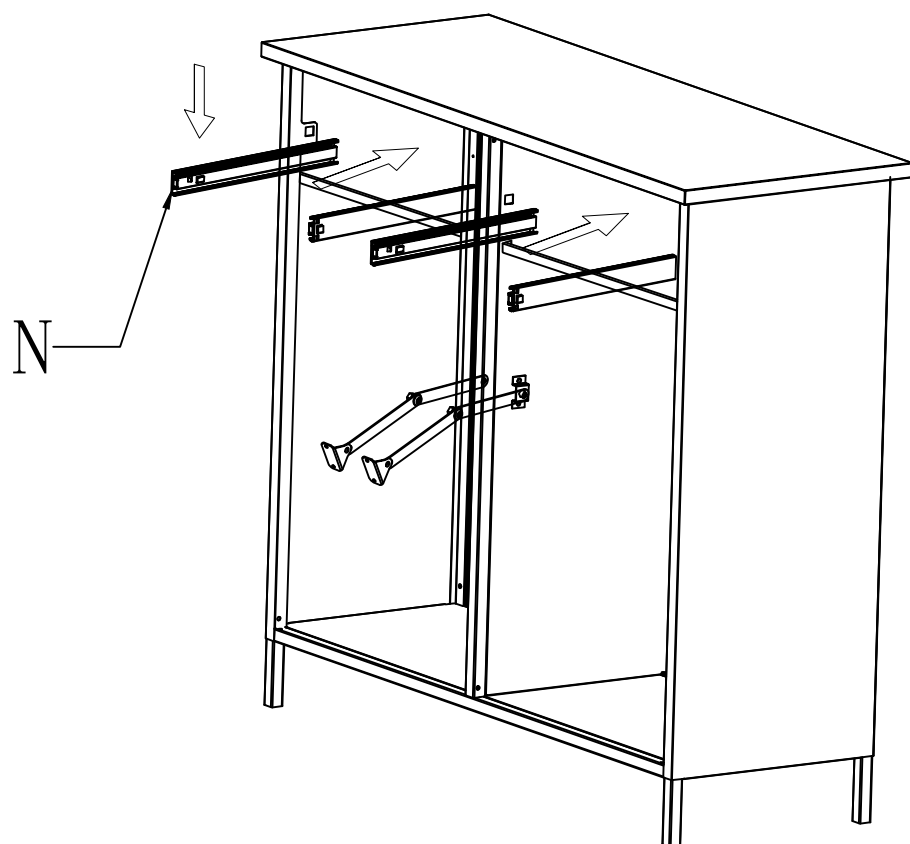


14

Install drawer and door



15

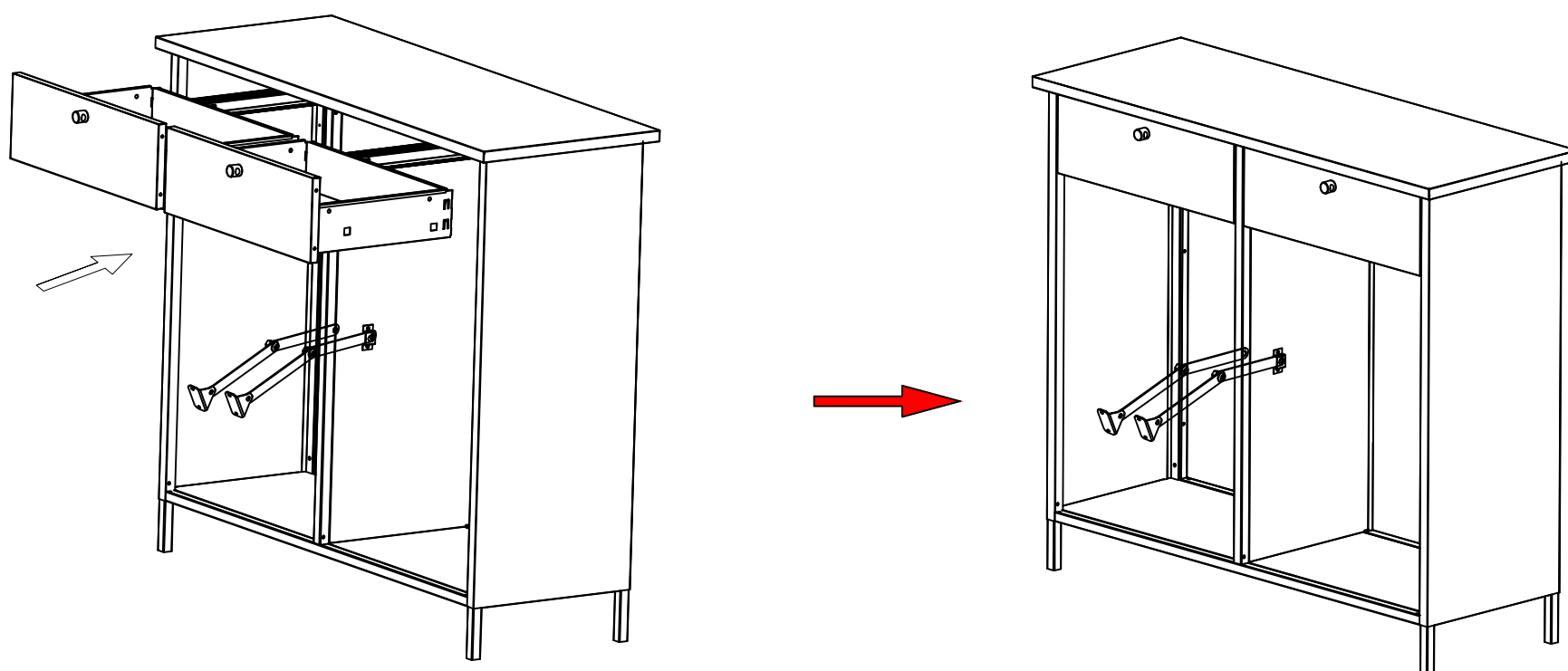


Install slideway

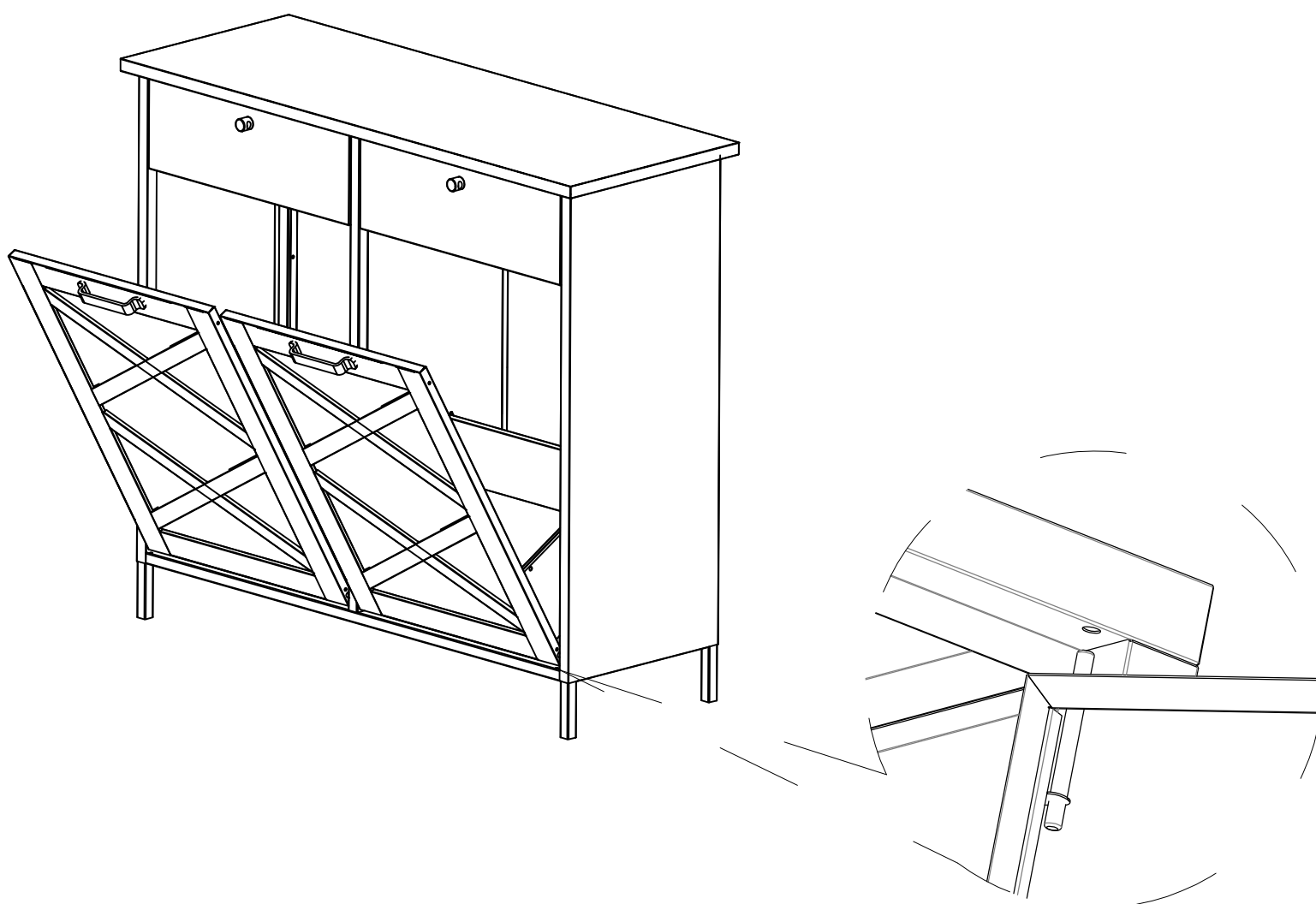


16

Install drawer



17



Install Bottom drawer and door



18

Use screw j to fix the door to the hinge

