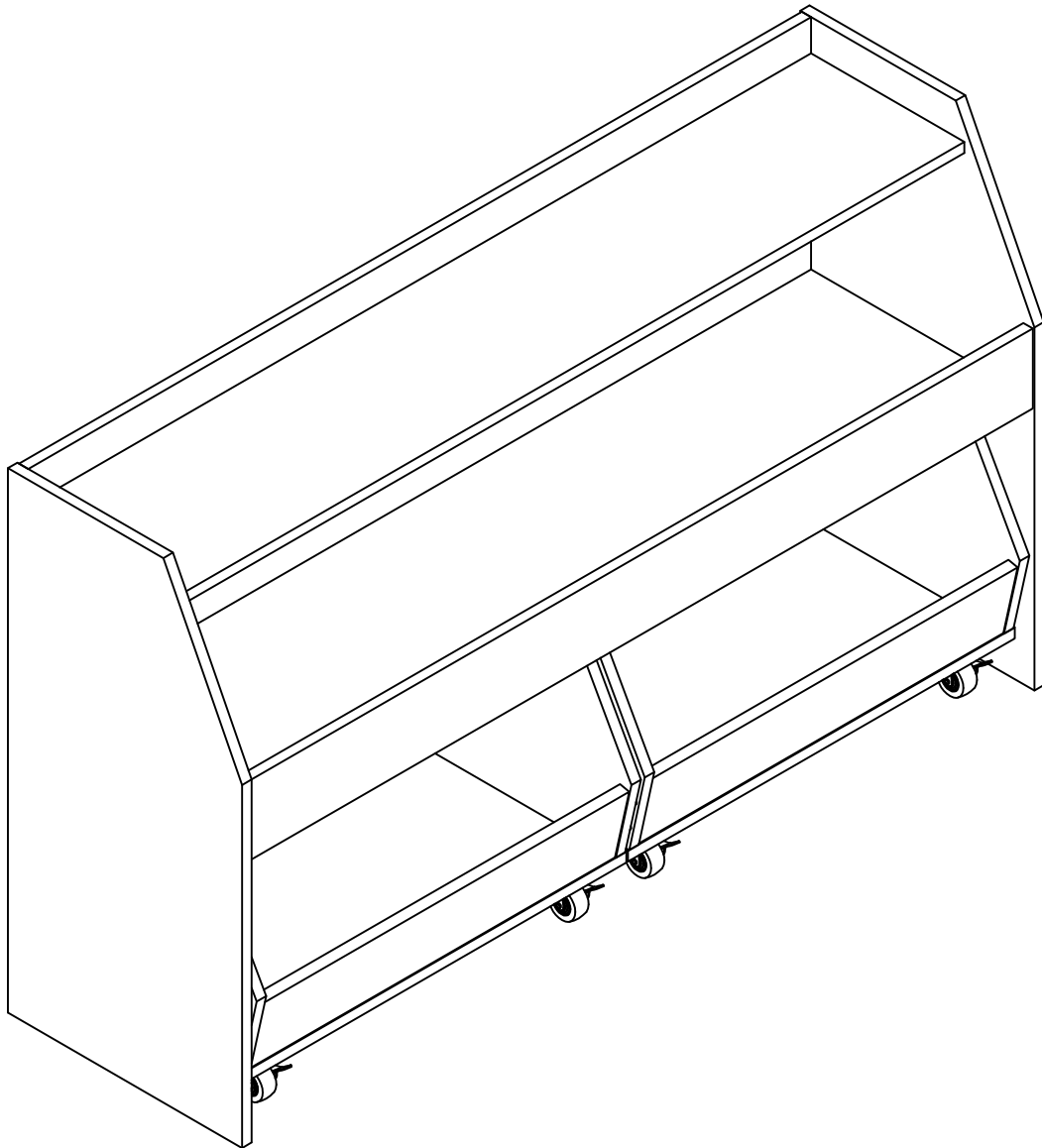
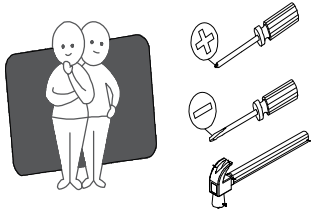


TOY STORAGE CABINET



ASSEMBLY INSTRUCTION

KIND REMINDER










Two persons and tools required for assembly

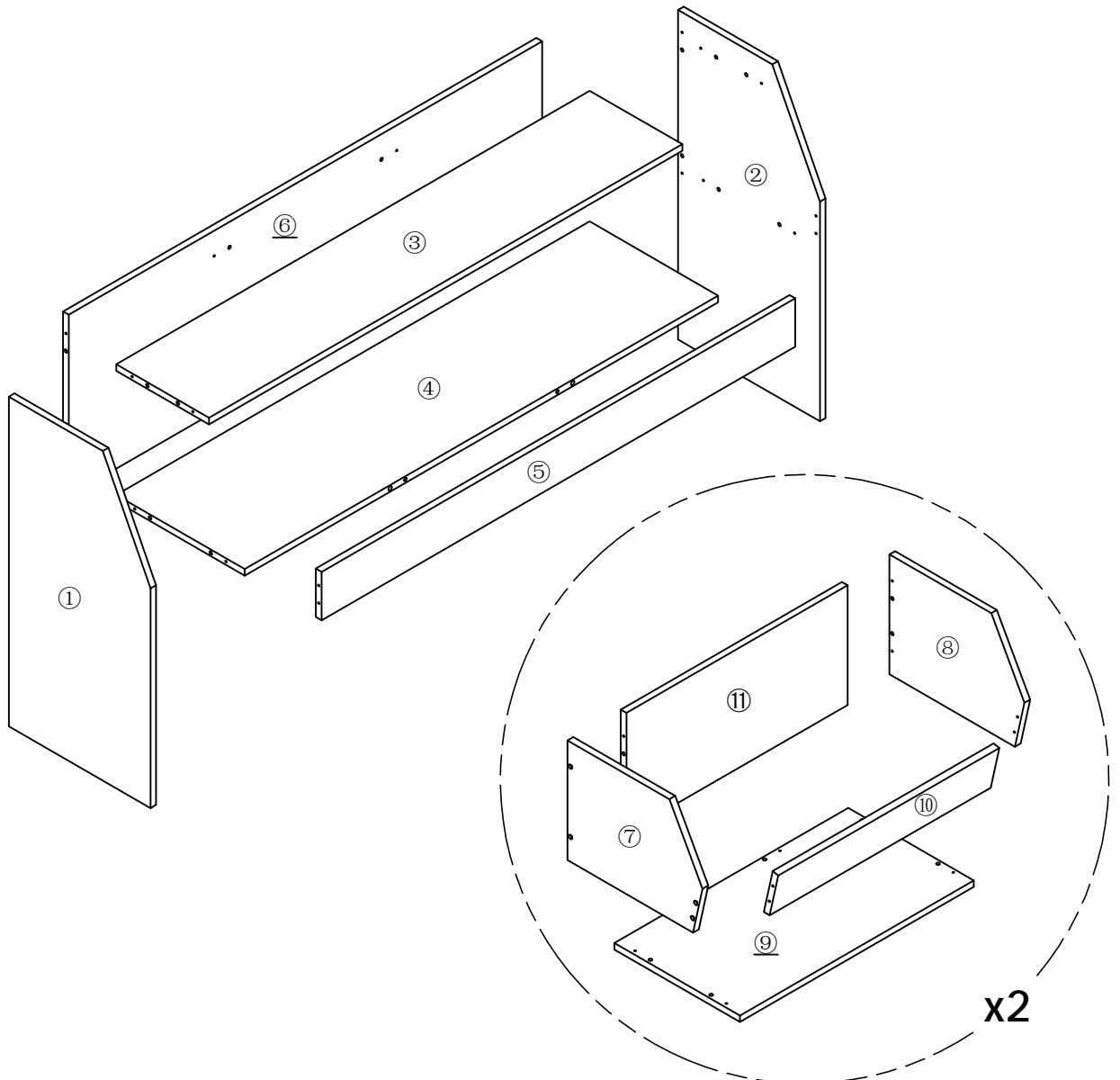


Wipe with dry cloths

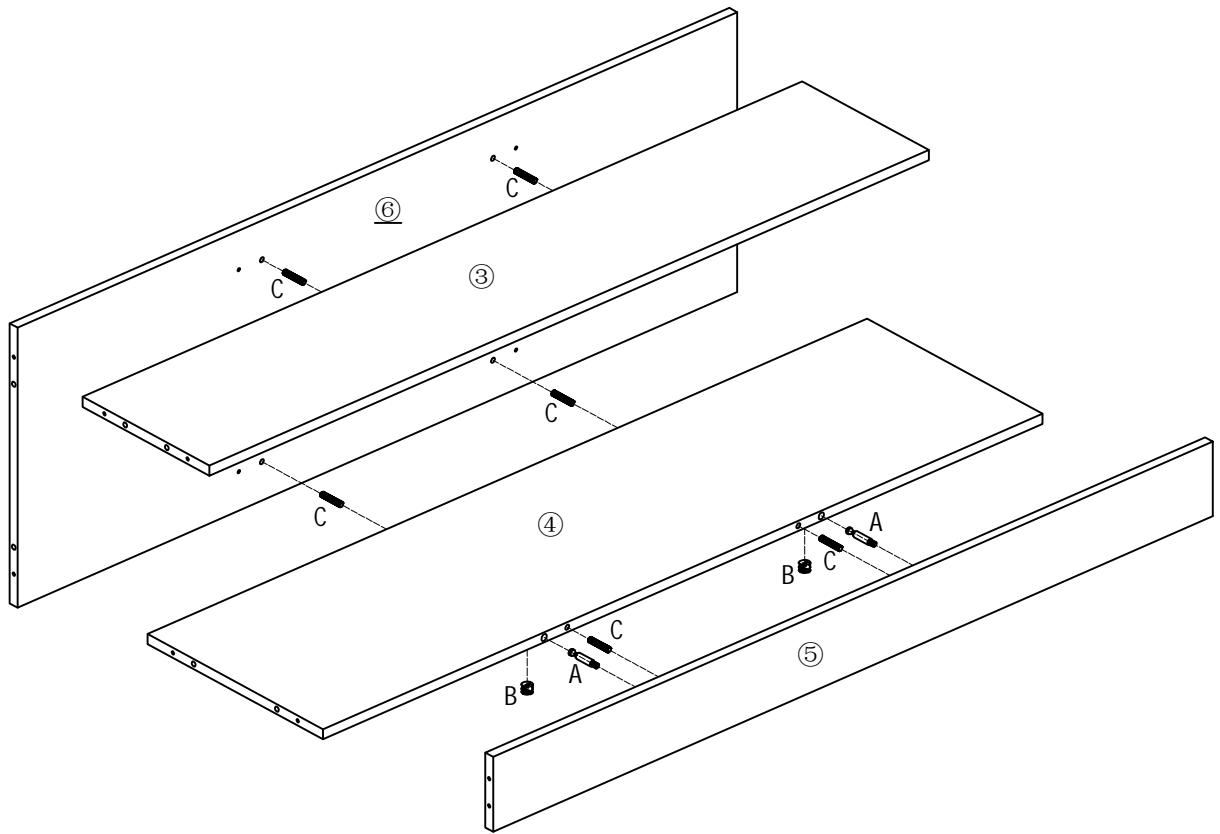
HARDWARE

A	x19	B	x19	C	x42
					
M6*35mm		φ15*12mm		φ6*30mm	
D	x34	E	x35	F	x8
					
φ4*35mm		φ3.5*14mm		50mm	
G	x1				
					

PARTS

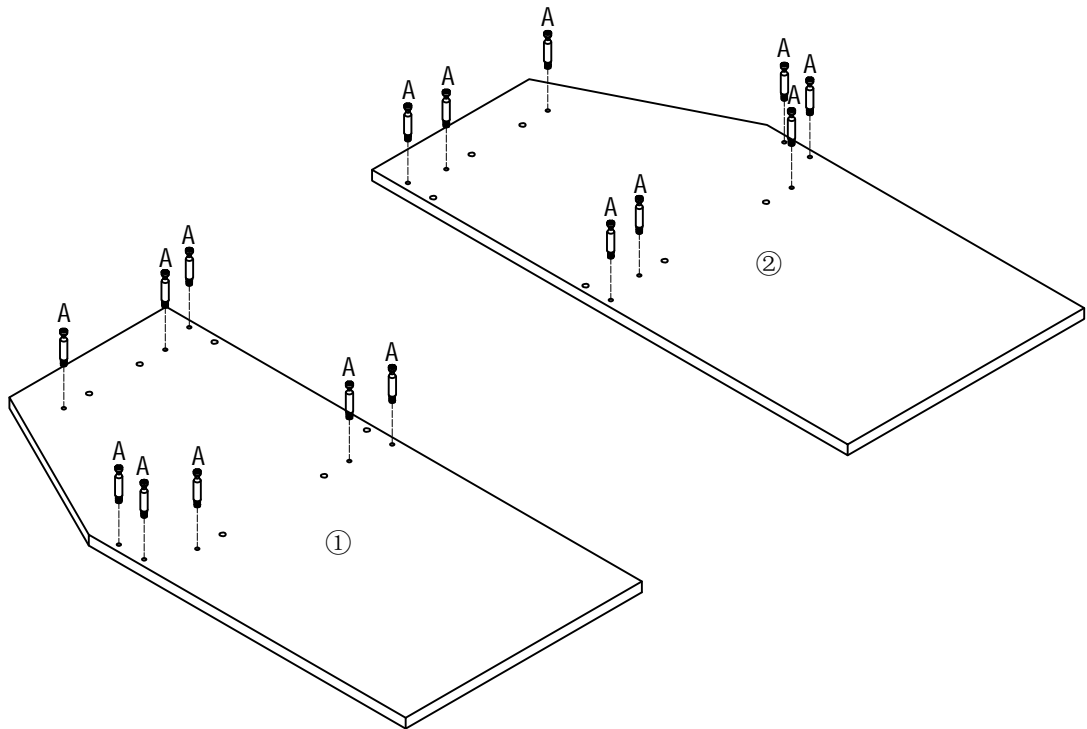


Step1



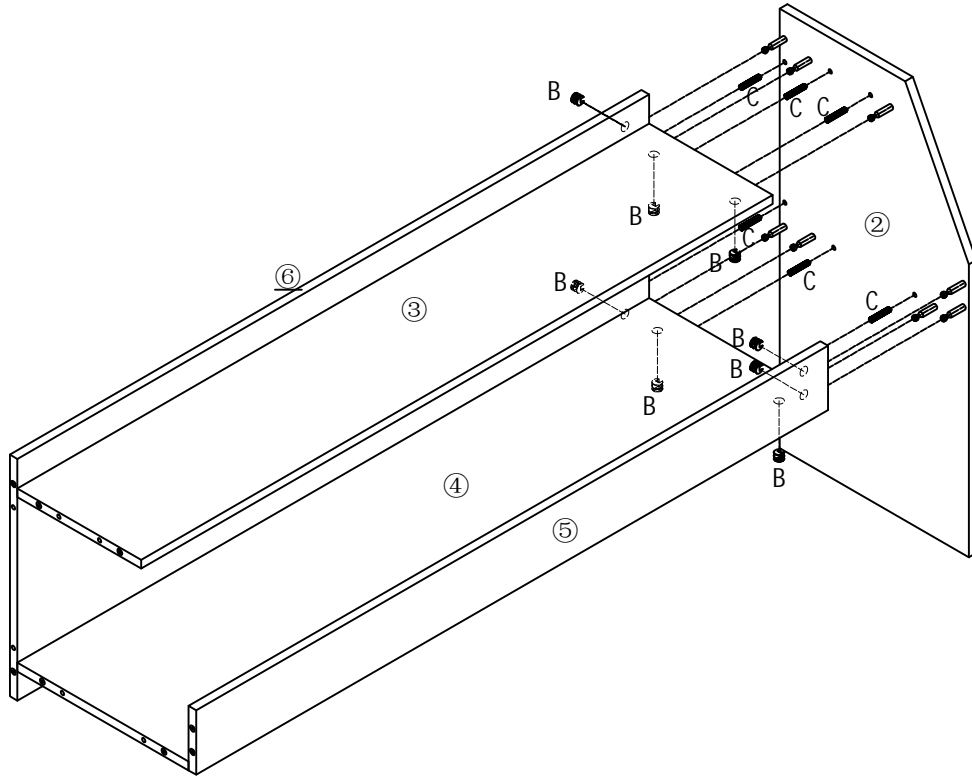
A	x2
B	x2
C	x6

Step2



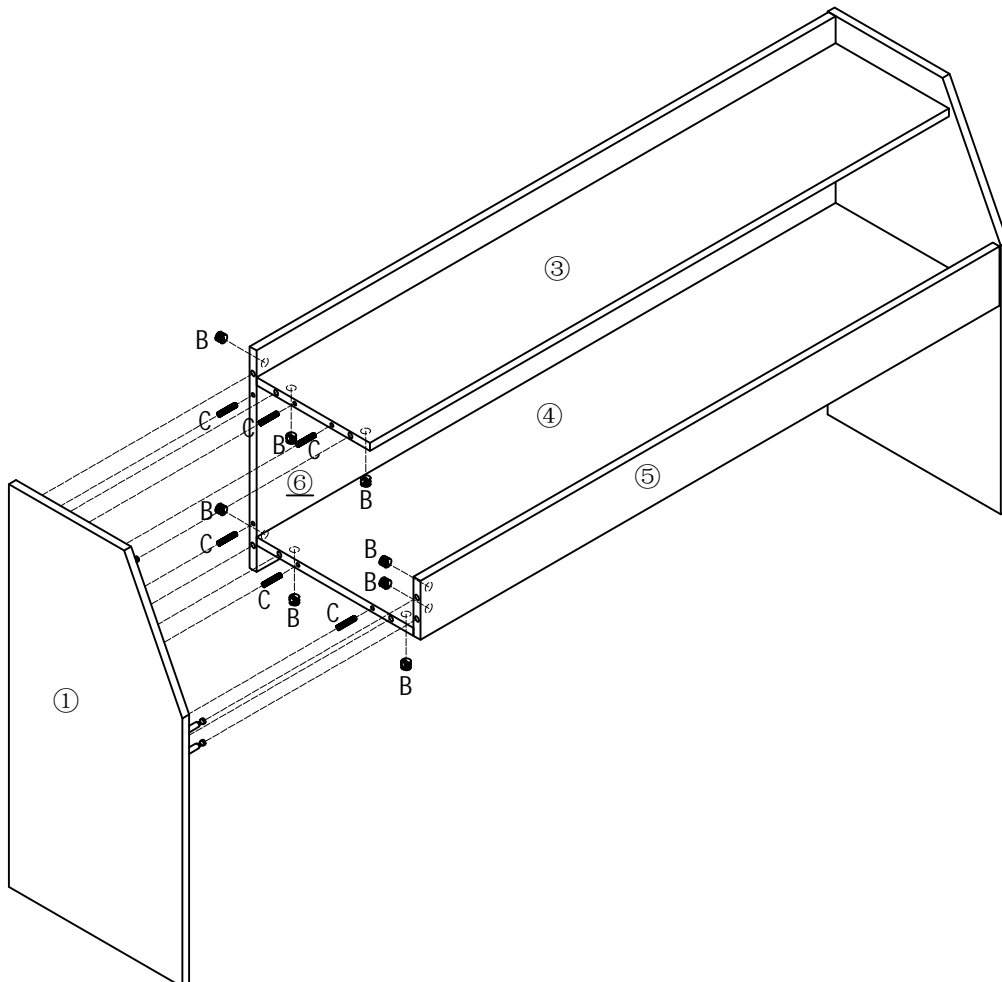
A	x16
---	-----

Step3



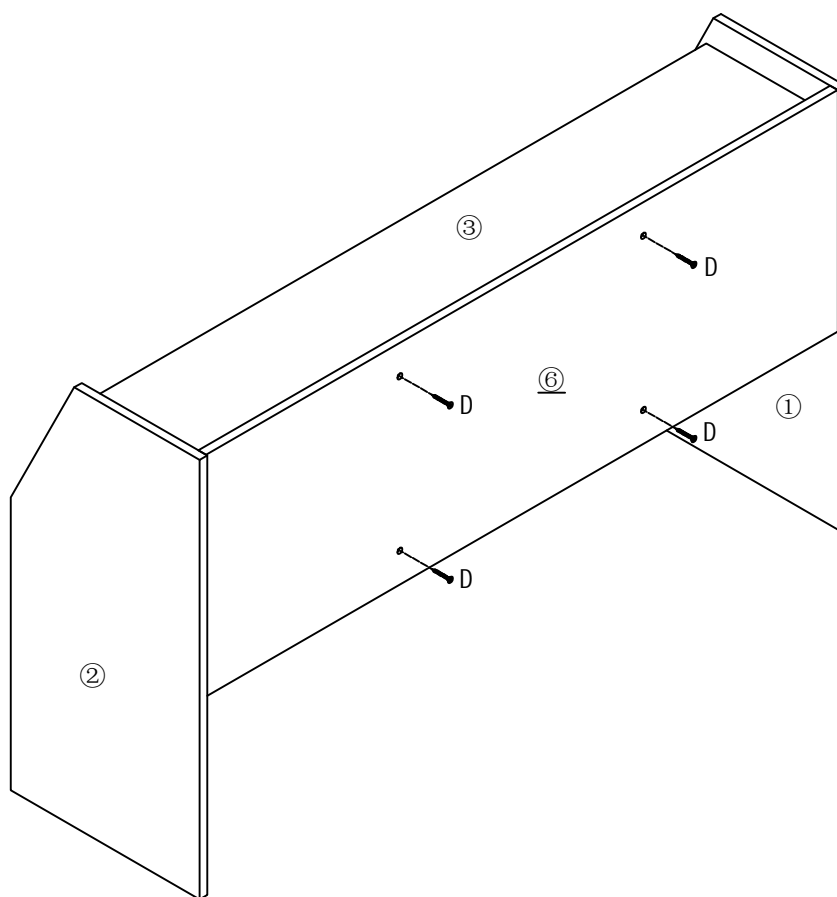
B	x8
C	x6

Step4



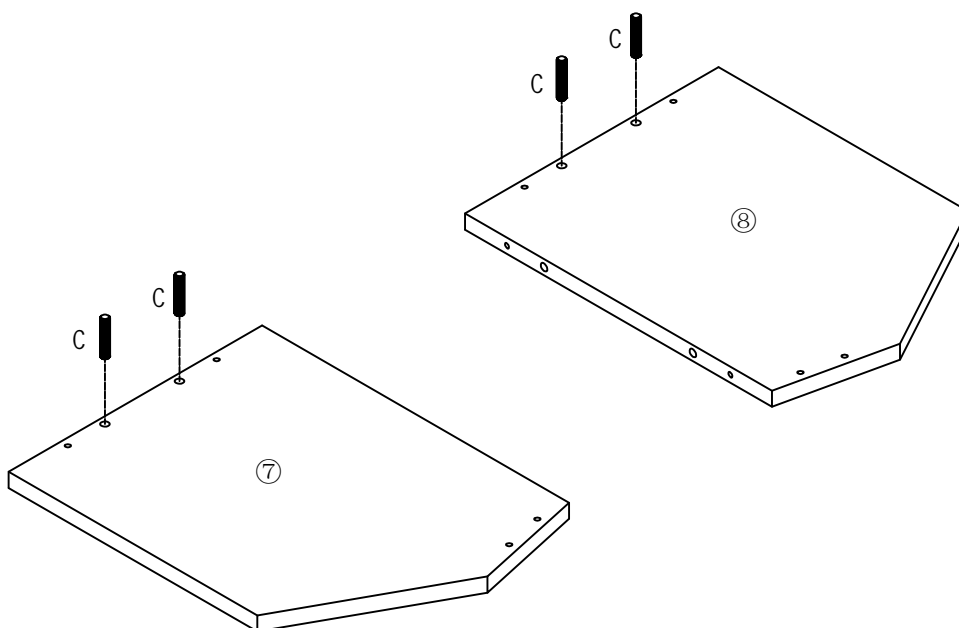
B	x8
C	x6

Step5



D x4

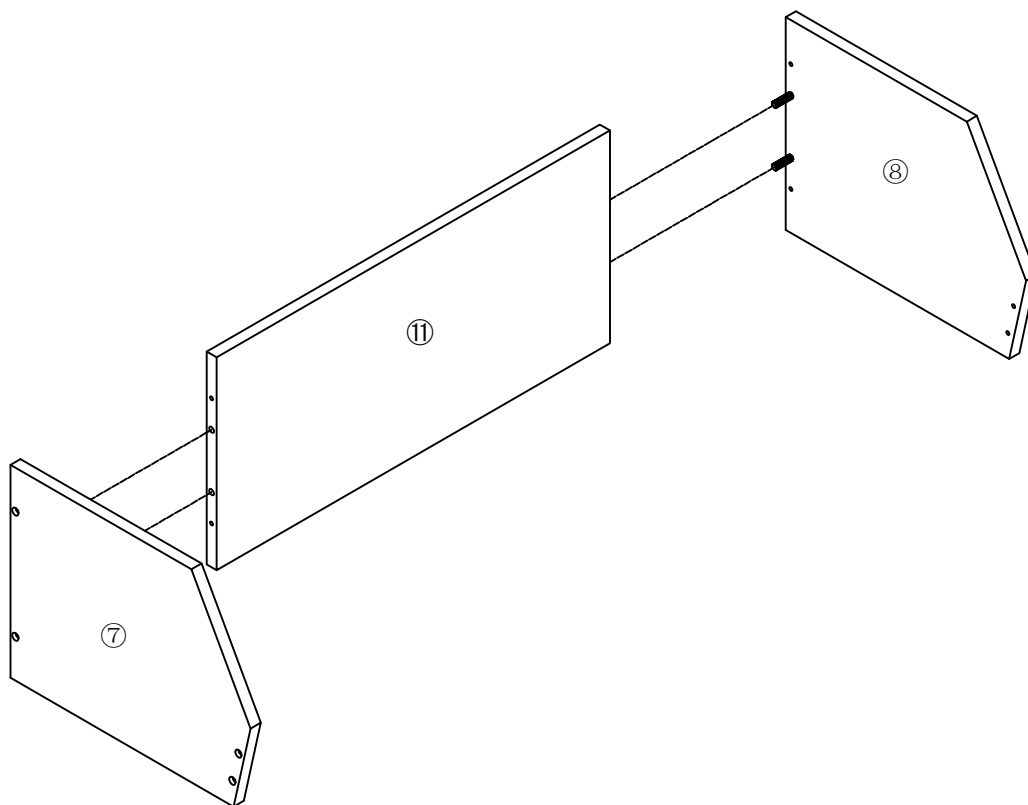
Step6



x2

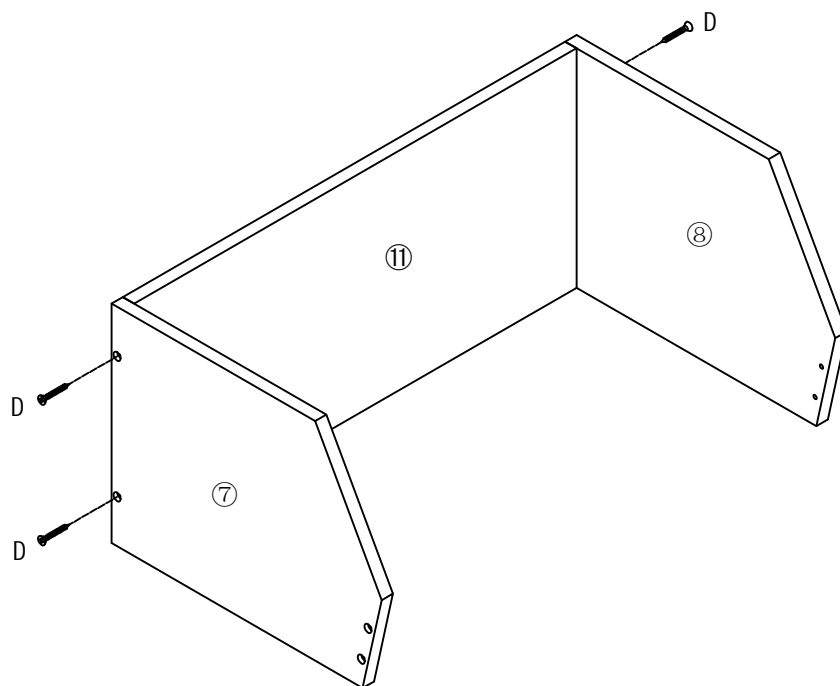
C x8

Step7



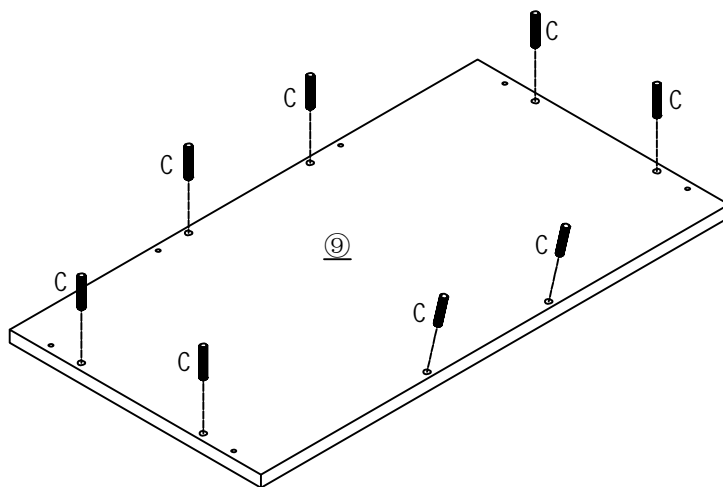
x2

Step8



x2

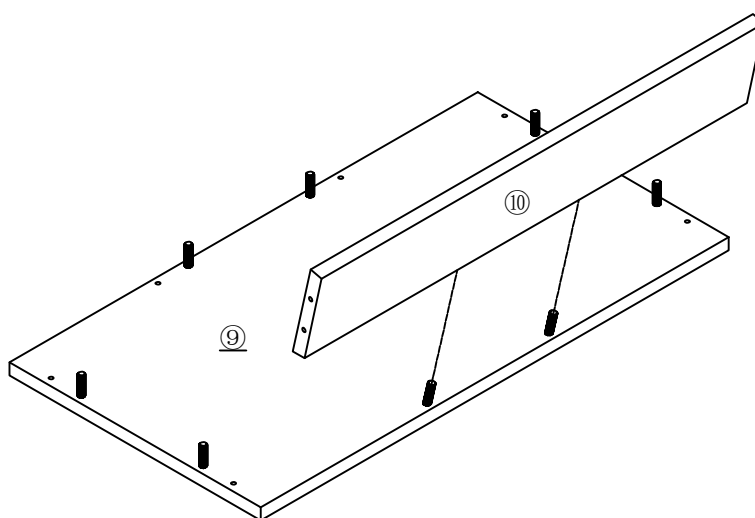
Step9



x2

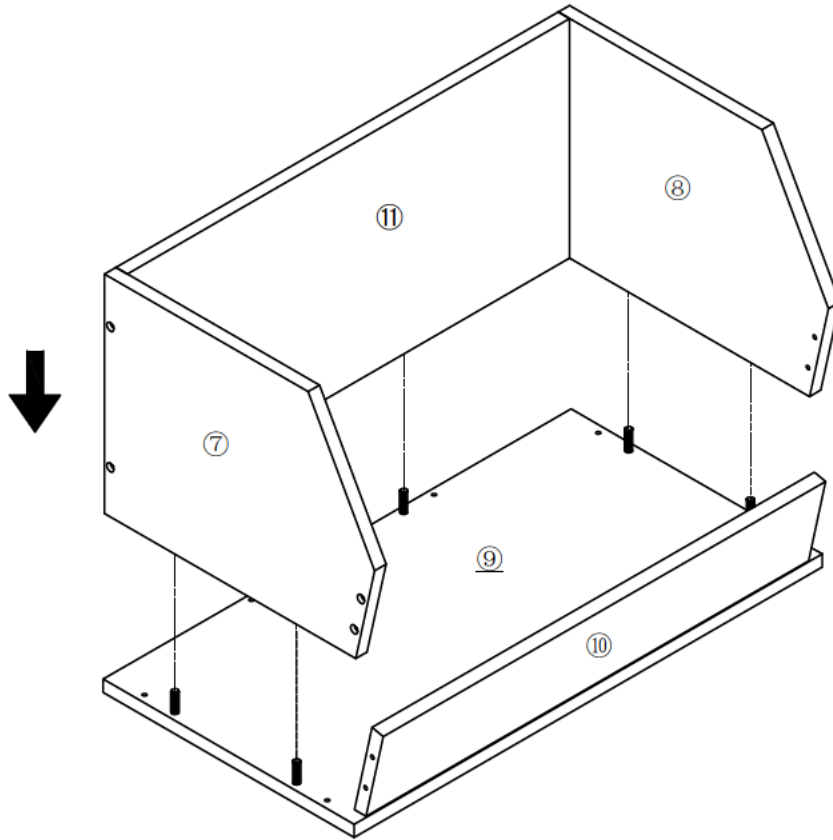
C x16

Step10



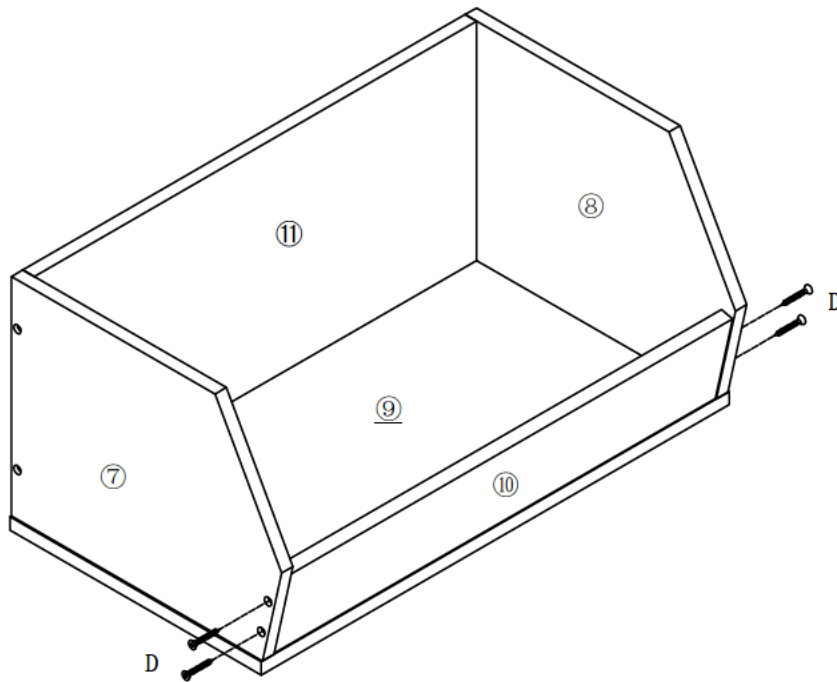
x2

Step11



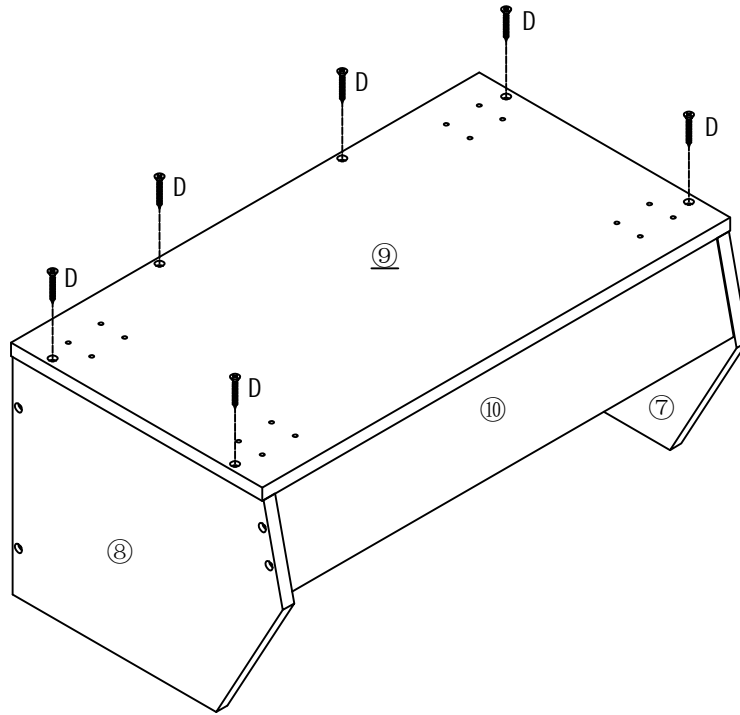
x2

Step12



x2

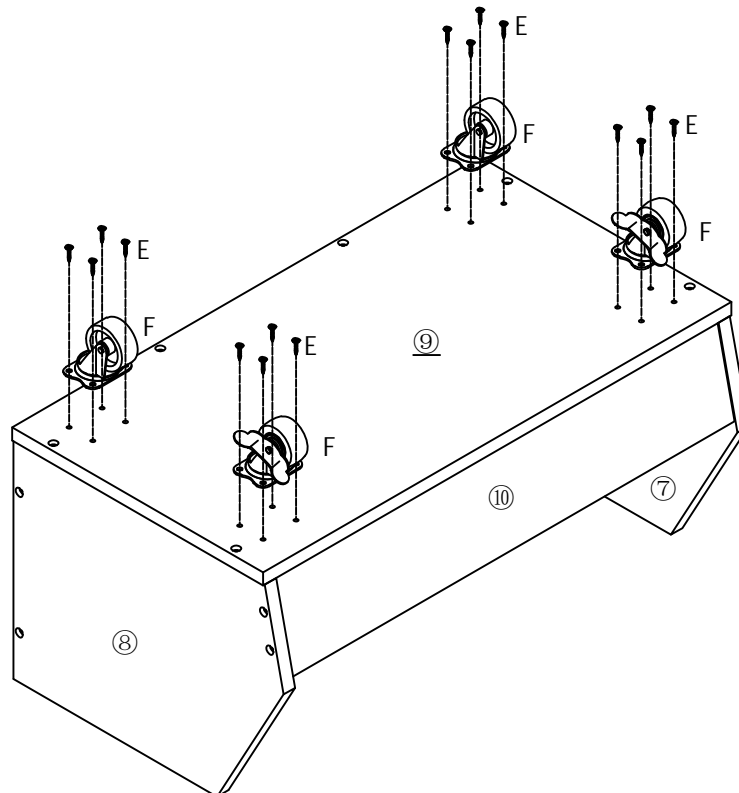
Step13



x2

D x12

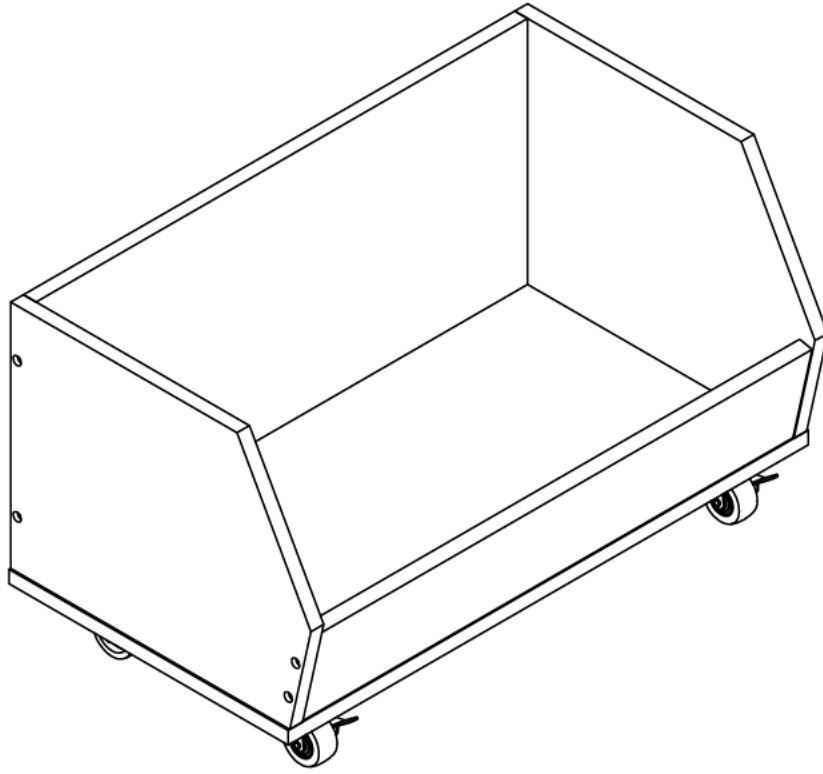
Step14



x2

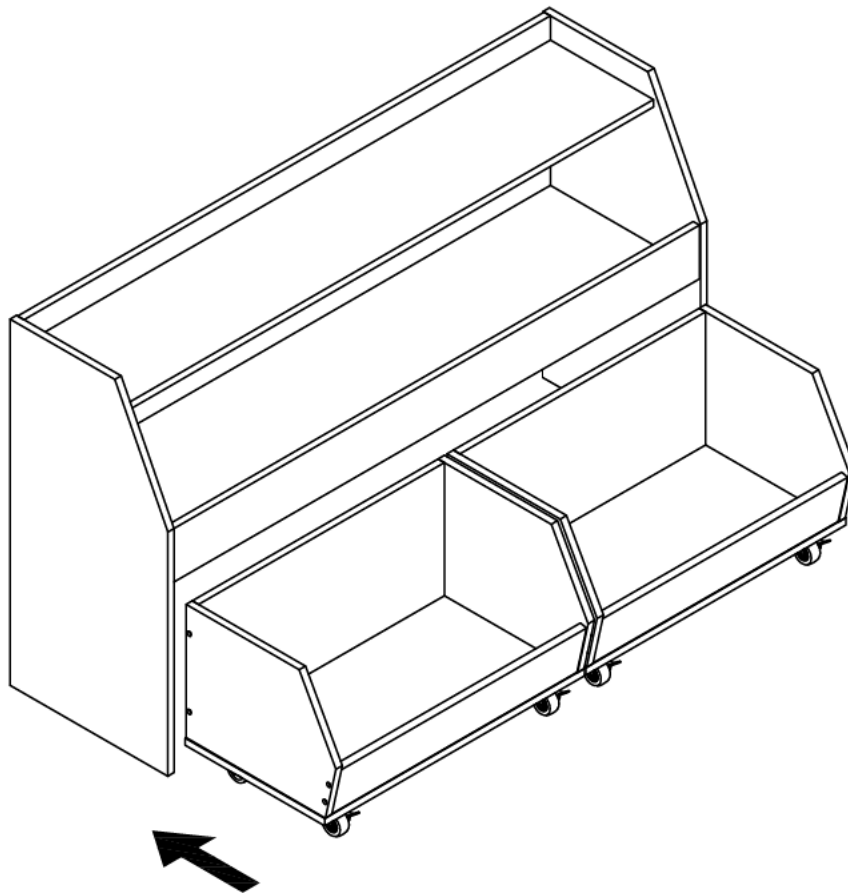
E	x32
F	x8

Step15



x2

Step16



Step 17

