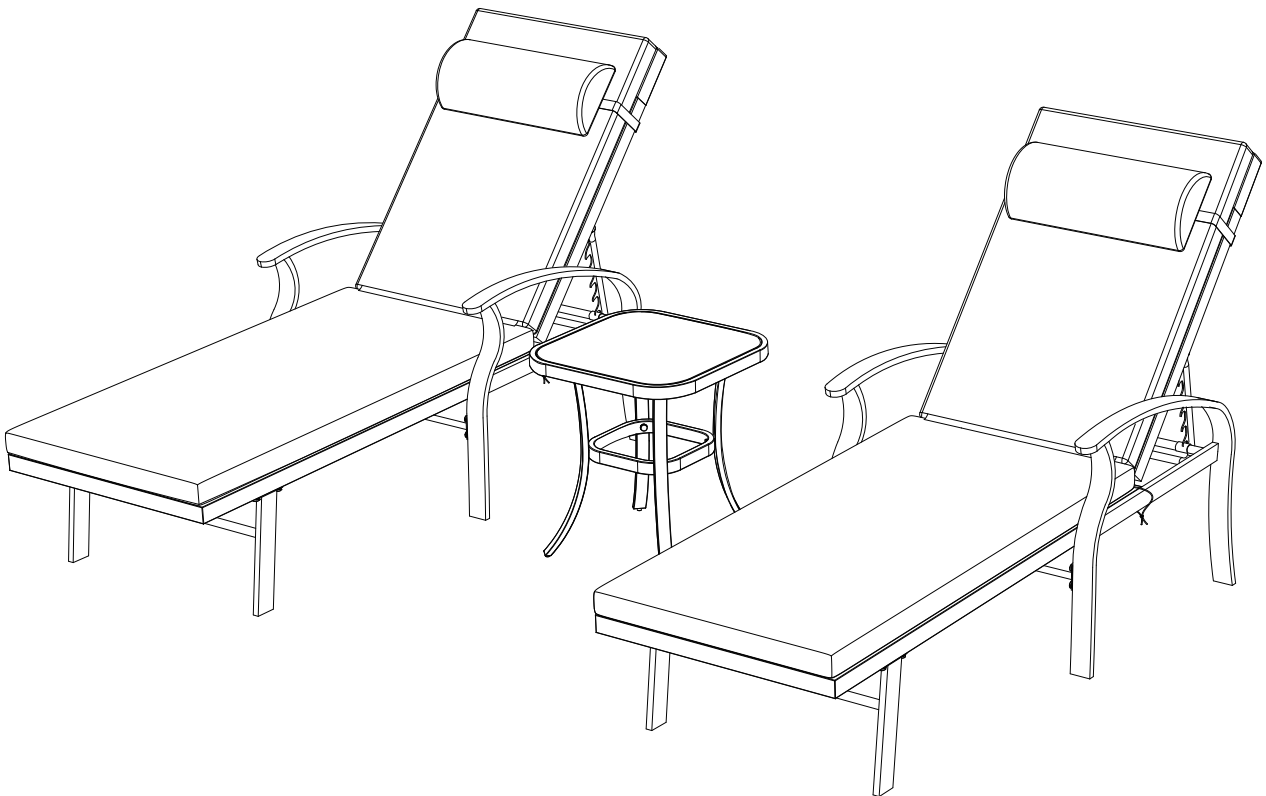


Metal Armrest Lounger Set

If you have any questions about the metal armrest lounger set, please feel free to contact us.



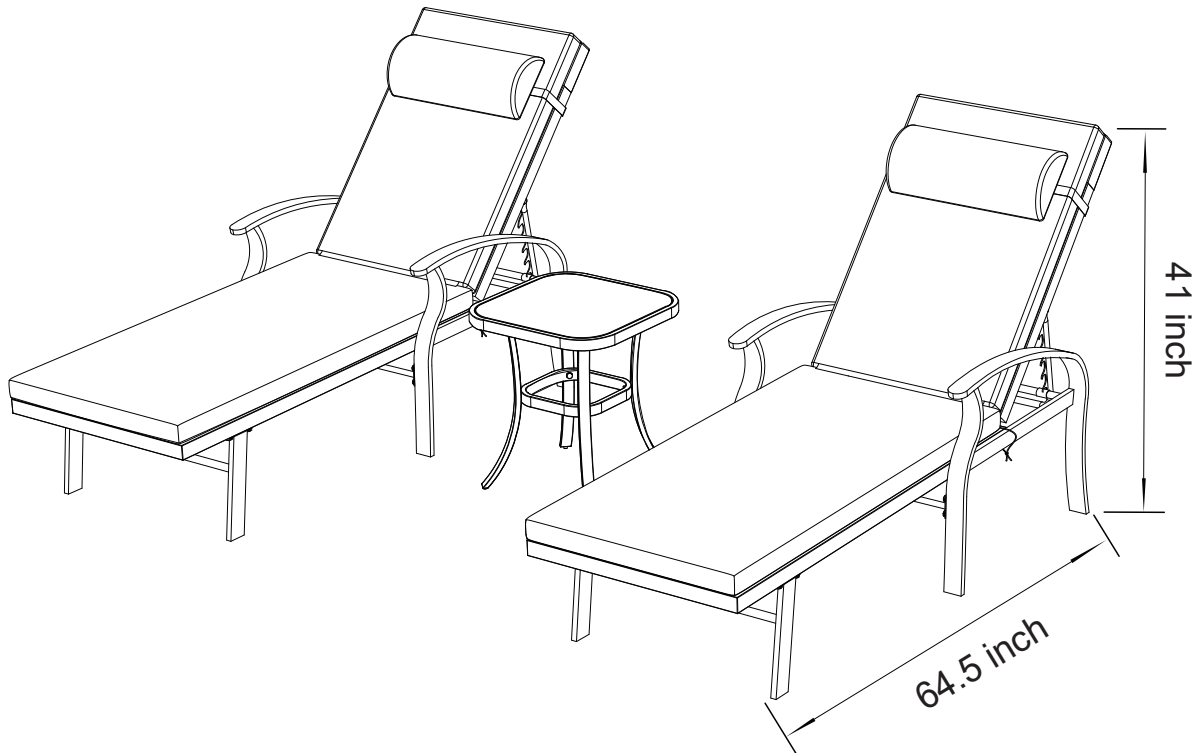
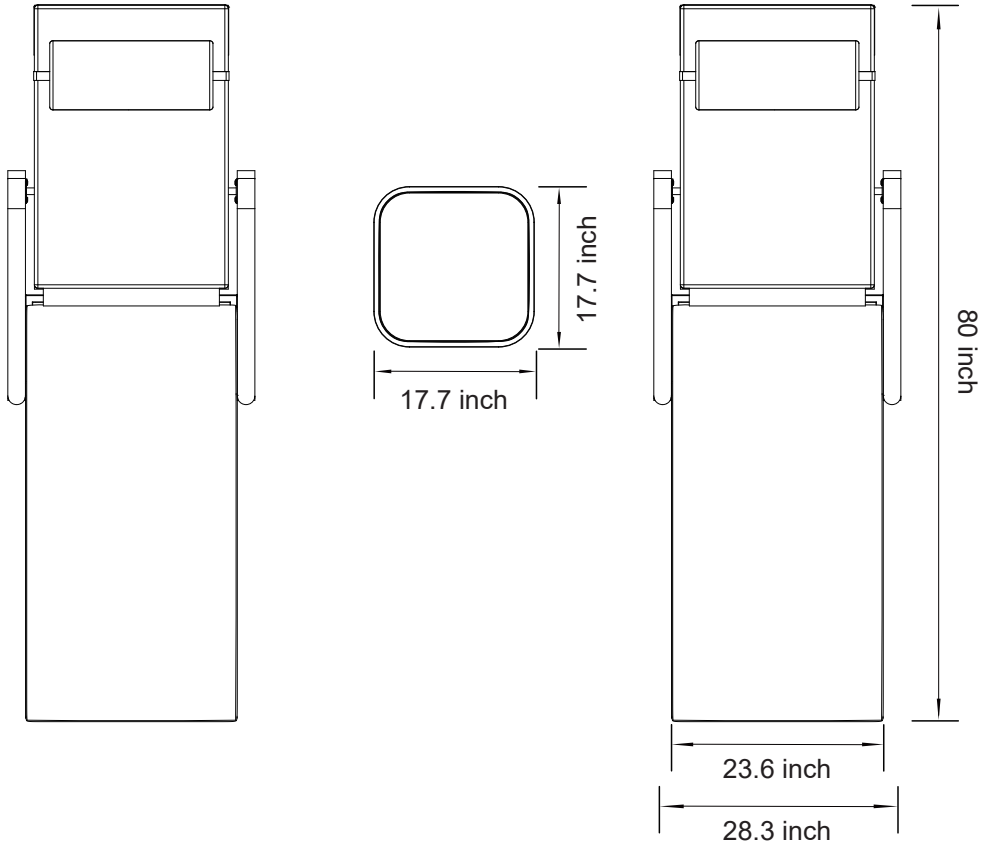
24-P017

IMPORTANT

PLEASE READ BEFORE YOU COMMENCE ASSEMBLY

Follow the guidelines in this user guide to ensure correct assembly and care for this product.

SPECIFICATIONS



Catalog

Specifications.....	01
Catalog.....	02
Care & Instructions	03
Part List And Screw Set List.....	04
Extra	05
How to Assemble The Single Armchair	06
How to Use The Seat Cushions And Pillows.....	09
How to Use The Coffee Table	12



Before You Begin

Assembly Instructions:

Instructions are supplied in this manual and contain all appropriate information for your building model.

Review all instructions before you begin and during assembly, follow the step sequence carefully for correct results.

Parts and Parts List:

Check to be sure that you have all the necessary parts for building.

Separate contents of the carton by the part number while reviewing parts list.

Familiarize yourself with the hardware and fasteners for easier use during construction.

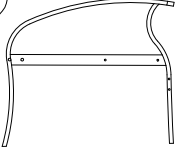
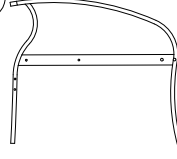
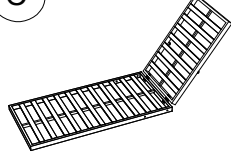
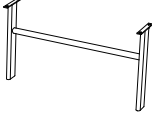


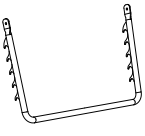
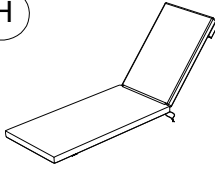
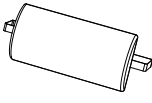


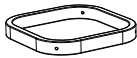

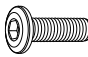


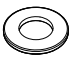
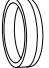
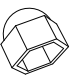


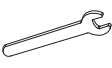
The first few steps show how to join related parts which is to obtain larger sub-assemblies be used later.

All parts are packaged within the carton.

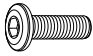



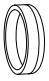
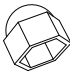

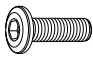
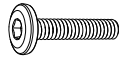
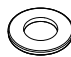

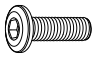
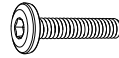


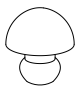
Note that extra fasteners have been supplied for your convenience.

PART LIST

Parts List

<p>A</p>  <p>Left Armrest</p>	<p>B</p>  <p>Right Armrest</p>	<p>C</p>  <p>Back and Seat Plate</p>	<p>D</p>  <p>Front Feet</p>	<p>E</p>  <p>Connection Bar</p>
2 PCS	2 PCS	2 PCS	2 PCS	2 PCS
<p>F</p>  <p>Support Bar</p>	<p>G</p>  <p>Tilt Brace</p>	<p>H</p>  <p>Back and Seat Cushion</p>	<p>I</p>  <p>Pillowcase</p>	<p>J</p>  <p>Coffee Table Top</p>
2 PCS	2 PCS	2 PCS	2 PCS	1 PC
<p>K</p>  <p>Coffee Table legs</p>	<p>L</p>  <p>Connection frame</p>	<p>M</p>  <p>Glass</p>		
4 PCS	1 PC	1 PC		
Screw Set A List				
<p>N1</p>  <p>M6x20</p>	<p>N3</p>  <p>M6x35</p>	<p>O</p>  <p>Nuts</p>	<p>P</p>  <p>M6 Washer</p>	<p>Q1</p>  <p>M6 Screw Caps</p>
28 PCS	8 PCS	4 PCS	40 PCS	36 PCS
<p>Q2</p>  <p>Nut Caps</p>	<p>R</p>  <p>M6 Plastic Spacer</p>	<p>S</p>  <p>M6 Allen Key</p>	<p>T</p>  <p>M6 Wrench</p>	
4 PCS	4 PCS	1 PC	1 PC	

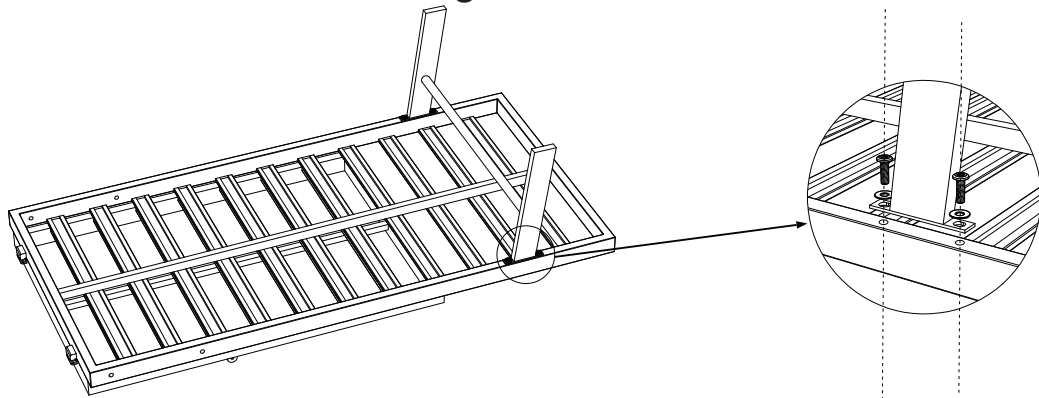
PART LIST

Extra (Screw Set A)				
<p>(N1)</p>  <p>M6x20</p> <p>2 PCS</p>	<p>(N3)</p>  <p>M6x35</p> <p>1 PC</p>	<p>(O)</p>  <p>Nuts</p> <p>1 PC</p>	<p>(P)</p>  <p>M6 Washer</p> <p>4 PCS</p>	<p>(Q1)</p>  <p>M6 Screw Caps</p> <p>2 PCS</p>
<p>(Q2)</p>  <p>Nut Caps</p> <p>1 PC</p>	<p>(R)</p>  <p>M6 Plastic Spacer</p> <p>1 PC</p>			
Screw Set B List				
<p>(N1)</p>  <p>M6x20</p> <p>8 PCS</p>	<p>(N2)</p>  <p>M6x25</p> <p>4 PCS</p>	<p>(P)</p>  <p>M6 Washer</p> <p>12 PCS</p>	<p>(Q1)</p>  <p>M6 Screw Caps</p> <p>12 PCS</p>	
Extra (Screw Set B)				
<p>(N1)</p>  <p>M6x20</p> <p>2 PCS</p>	<p>(N2)</p>  <p>M6x25</p> <p>1 PC</p>	<p>(P)</p>  <p>M6 Washer</p> <p>2 PCS</p>	<p>(Q1)</p>  <p>M6 Screw Caps</p> <p>2 PCS</p>	<p>(U)</p>  <p>Glass Pad</p> <p>2 PCS</p>

How To Assemble Single Armchair

Step 1: Attach the front feet(D) to the Back and Seat Plate(C) with screws(N1).

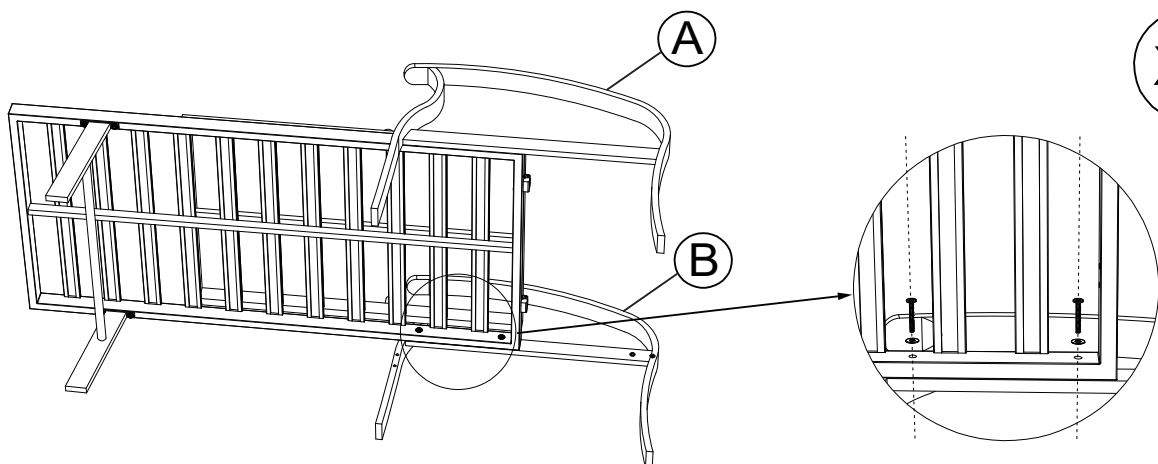
NOTE: Please pay attention to the direction of the front feet, the front feet will form a larger angle with the direction of the backrest when installed. Please tighten all screws.



C		x2	D		x2	N1		M6*20	x8
						P		M6	x8

Step 2: Attach the left and right armrests(A and B) to the Back and Seat Plate(C) with screws(N3).

NOTE: Elevate the front foot section of the Back and Seat Plate(C) to level the connection, do not tighten the screws all the way.



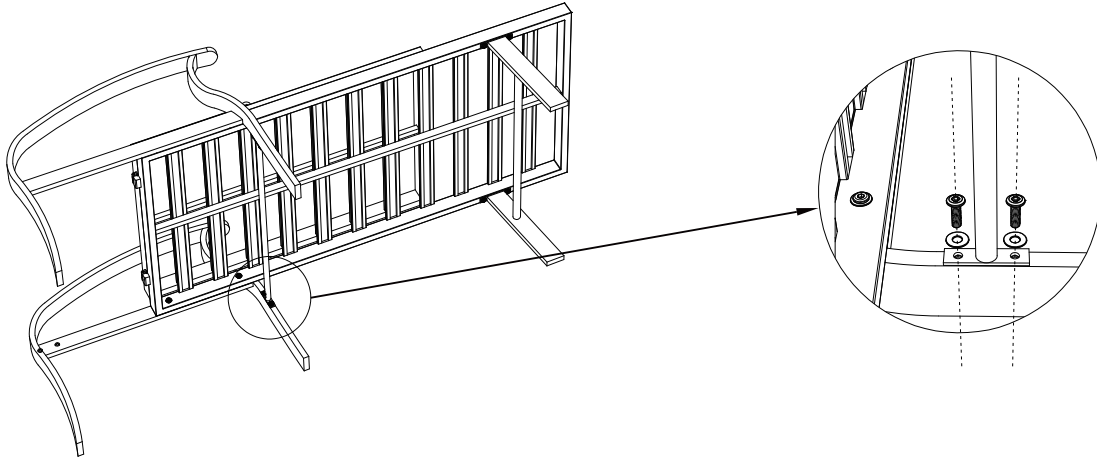
A		x2	B		x2	N3		M6*35	x8
						P		M6	x8

Installation steps

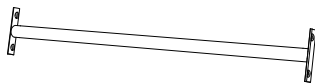
Step 3: Attach the armrest connecting bar(E) to the left and right armrests(A and B) with screws(N1).

NOTE: Do not tighten the screws all the way.

x2



E



x2

N1



x8

P

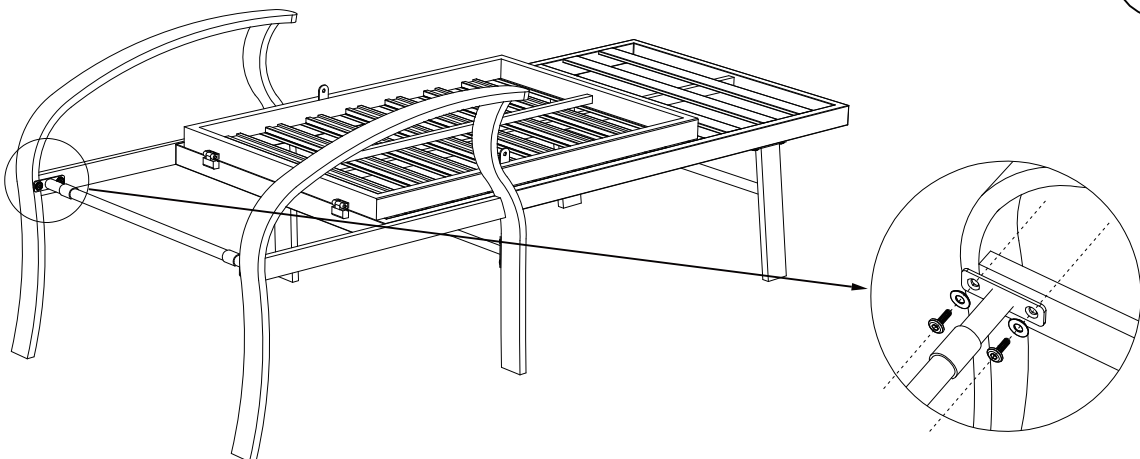


x8

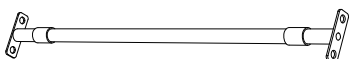
Step 4: Attach the support bar(F) to the left and right armrests (A and B) with screws(N1).

NOTE: Please tighten all screws.

x2



F



x2

N1



x8

P



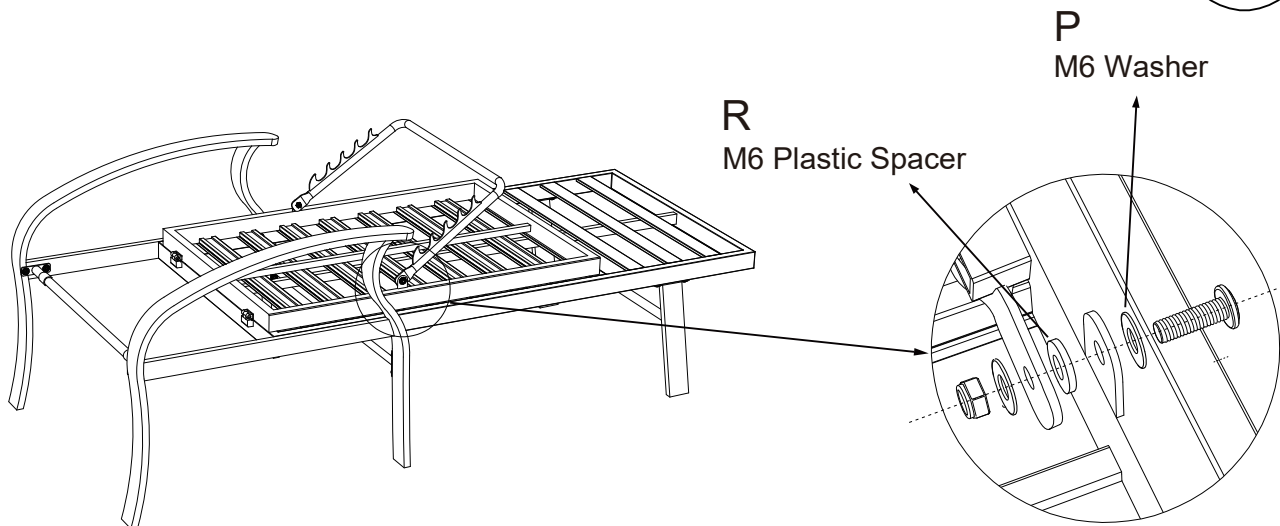
x8

Installation steps

Step 5: Attach the tilt braces(G) to the back of the backboard with screws(N1).

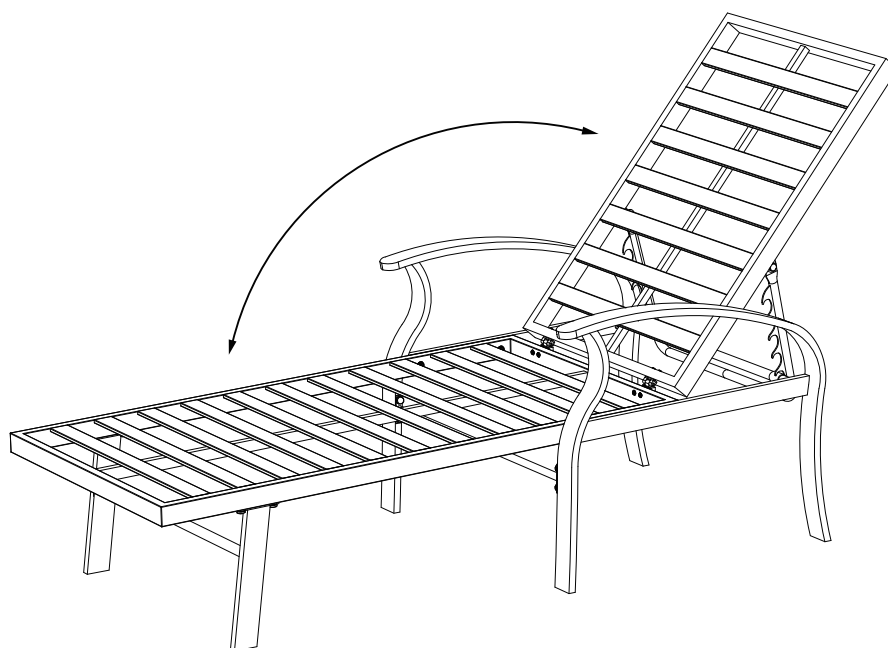
NOTE: Please tighten all screws.

x2



G		x2	N1		M6*20	x4	P		M6	x8
			O			x4	R		M6	x4

Step 6: Adjust the Back Plate to the proper angle.

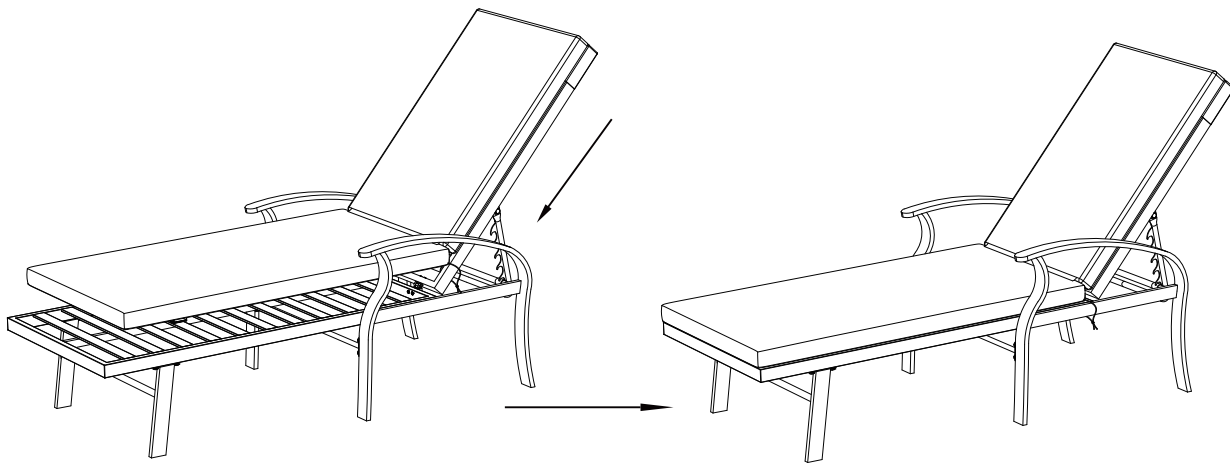


x2

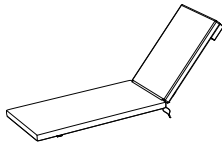
How To Use The Seat Cushions And Pillows

Step 1: Slip the cushion(H) over the Back Plate to hold it in place.

NOTE: Be careful not to scratch the cushion(H) when unpacking it.

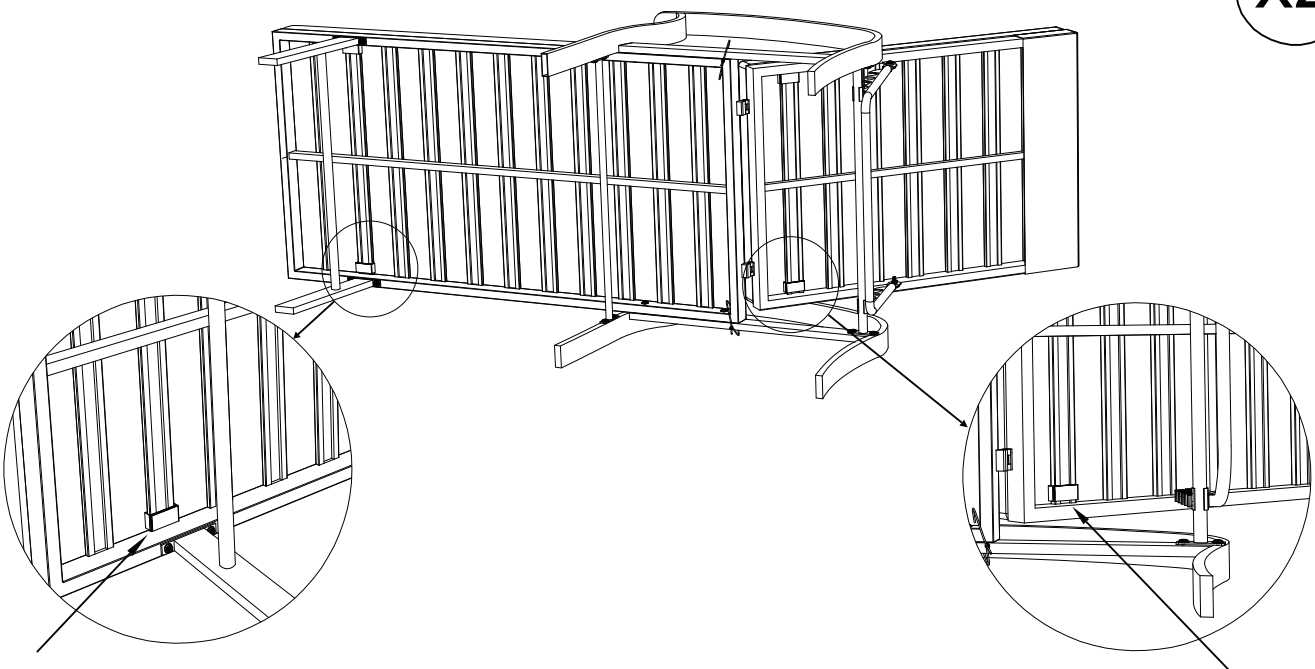


H



x2

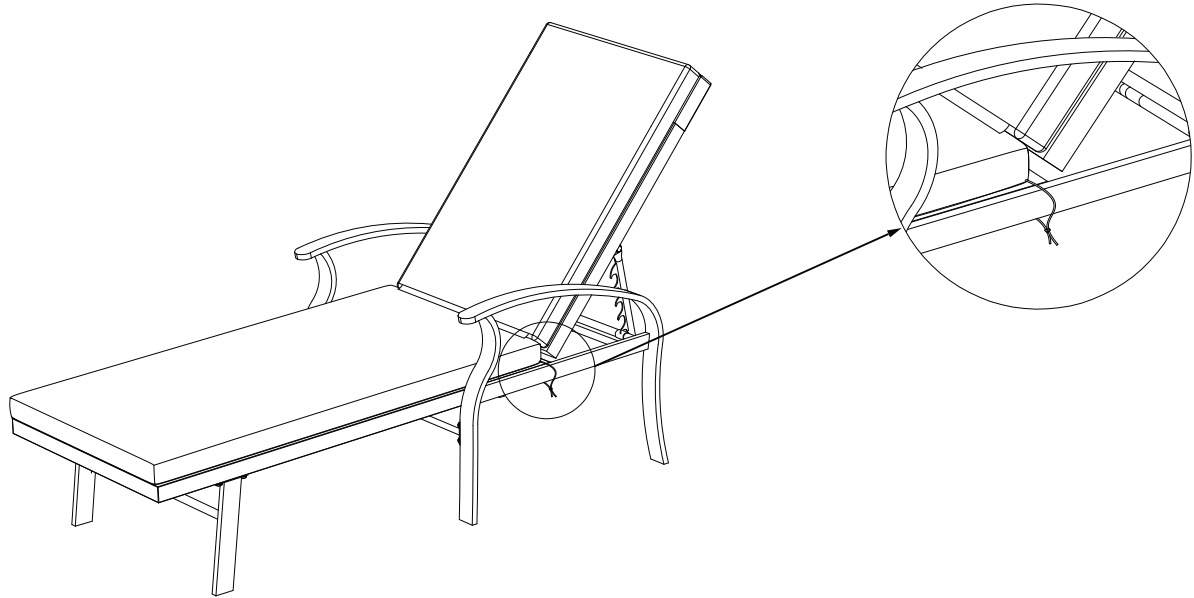
Step 2: Glue the sticky tape underneath the seat cushion(H) around the Back and Seat Plate(C).



Installation steps

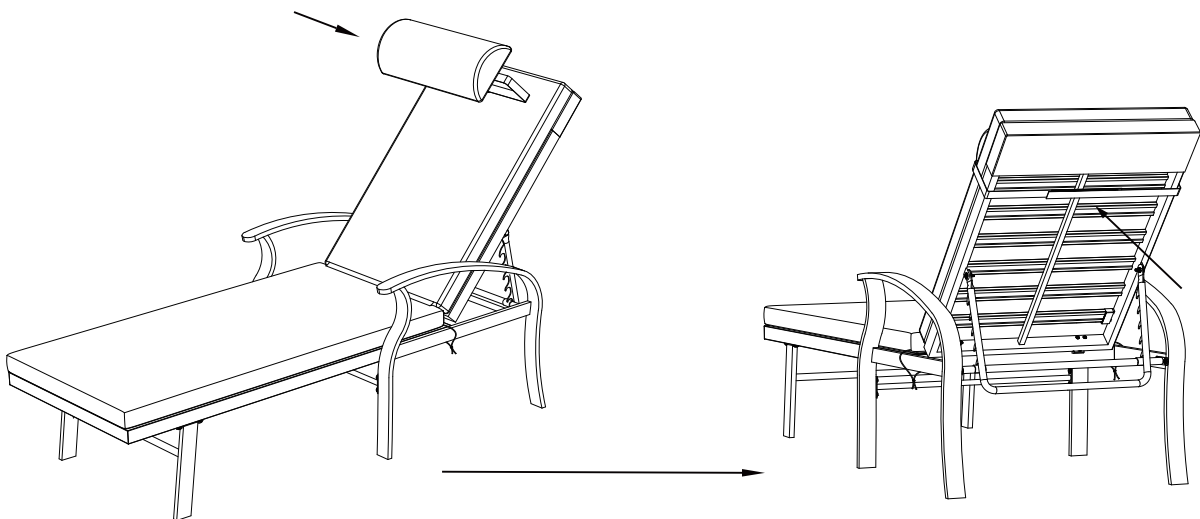
Step 3: Secure the straps underneath the seat cushion to the cross stop in the center of the armrest.

x2

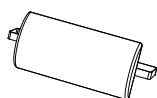


Step 4: Place the pillowcase(I) at the appropriate height and stick them with sticky tape around the backrest.

x2



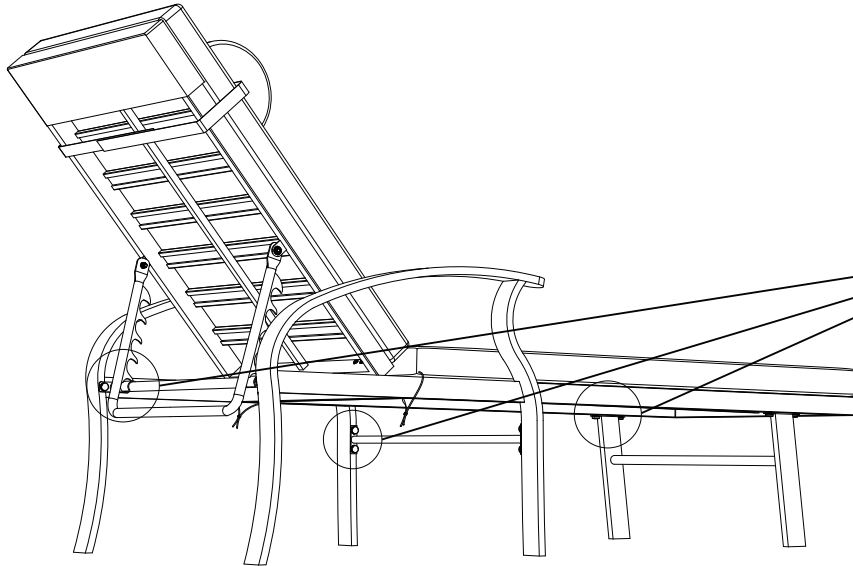
I



x2

How To Use The Caps To Cover The Screws

Step 1: Cover exposed M6 screws with M6 Screw Caps(Q1).

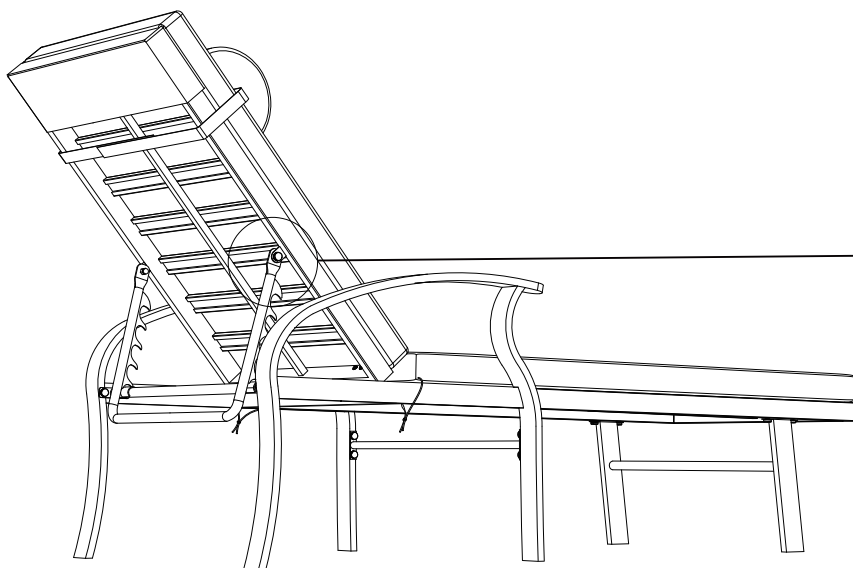


Q1



x32

Step 2: Cover exposed M6 screws with M6 Screw Caps(Q1).
Cover exposed Nuts with Nuts Caps(Q2).



Q1



x4

Q2

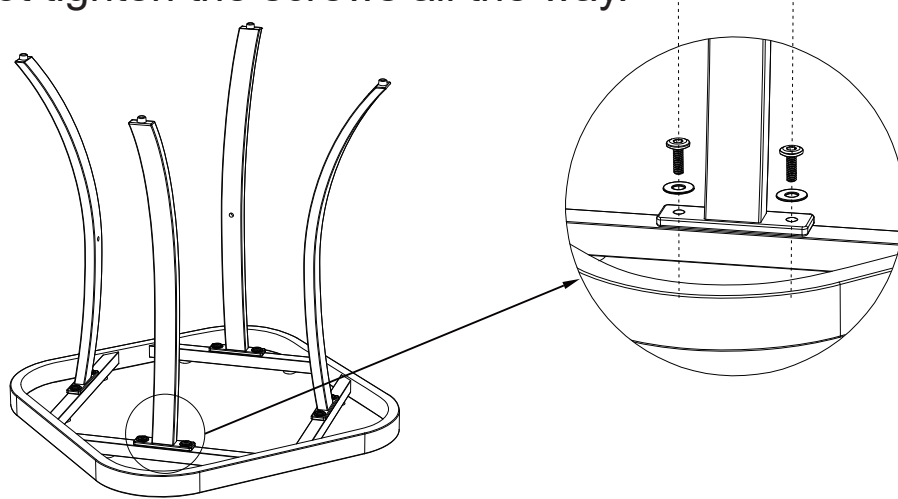


x4

How To Assemble The Coffee Table

Step 1: Connect the coffee table legs(K) to the coffee table top(J) with screw(N1).

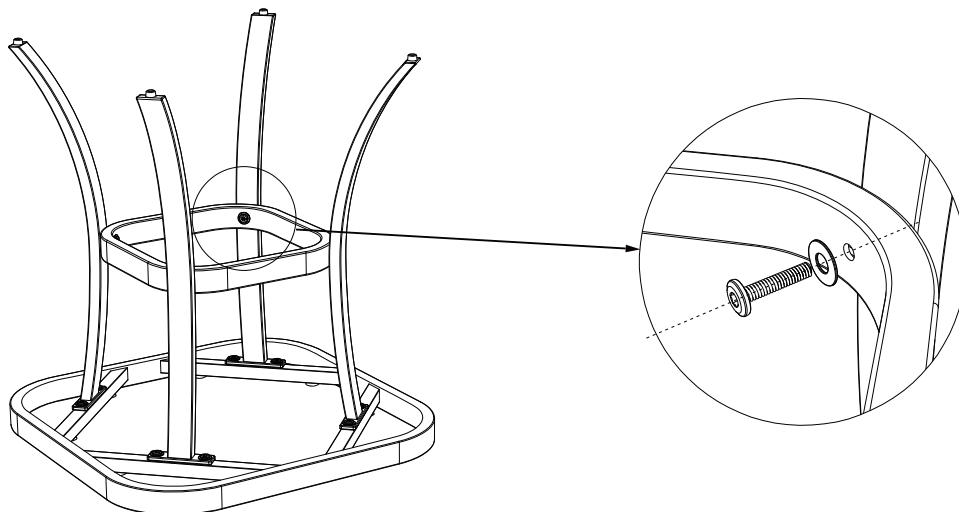
NOTE: Do not tighten the screws all the way.



J		x1	K		x4	N1		M6*20	x8
						P		M6	x8

Step 2: Connect the coffee table legs(K) to the connection frame(L) with screws(N2).

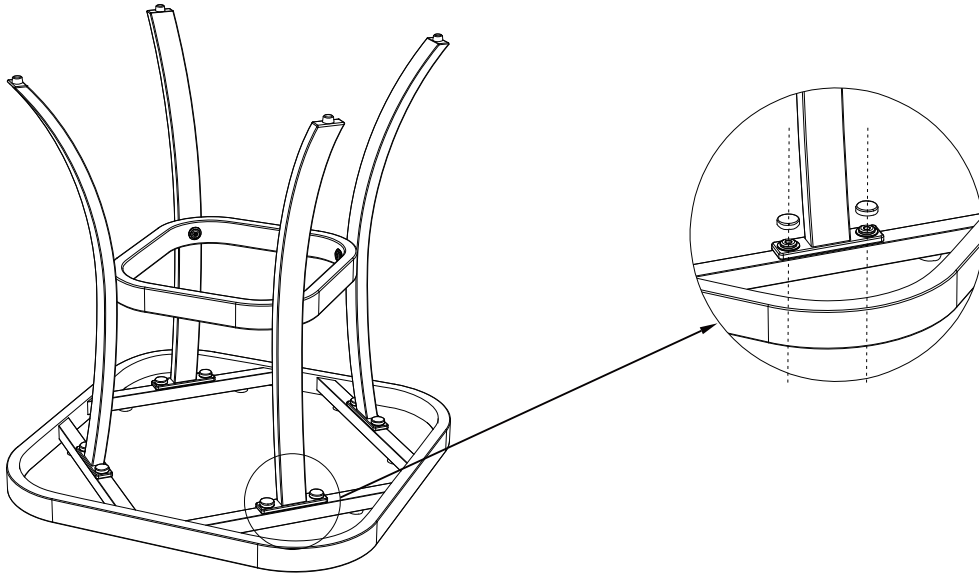
NOTE: Please fully tighten all bolts at this time.



L		x1	N2		x4	P		M6	x4

Installation steps

Step 3: Put the screw cap(Q1) on the screw M6.

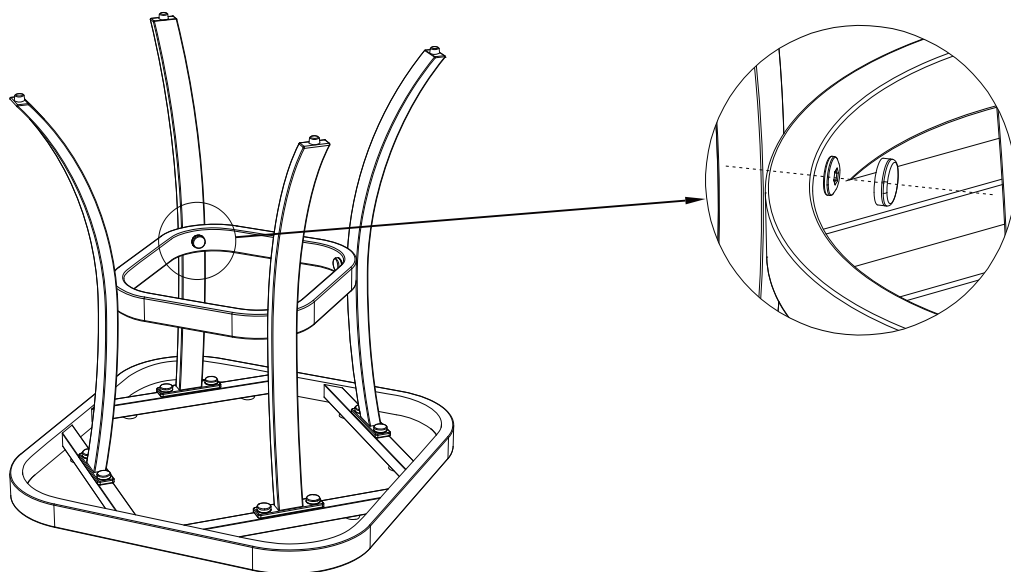


Q1



x8

Step 4: Put the screw cap(Q1) on the screw M6.



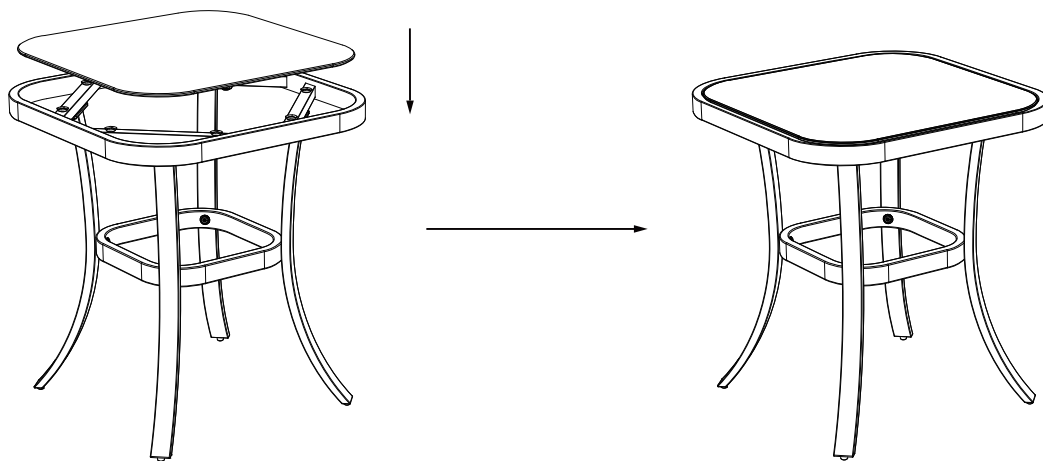
Q1



x4

Installation steps

Step 5: Place the coffee table glass(M) on the surface of the coffee table.



M



x1