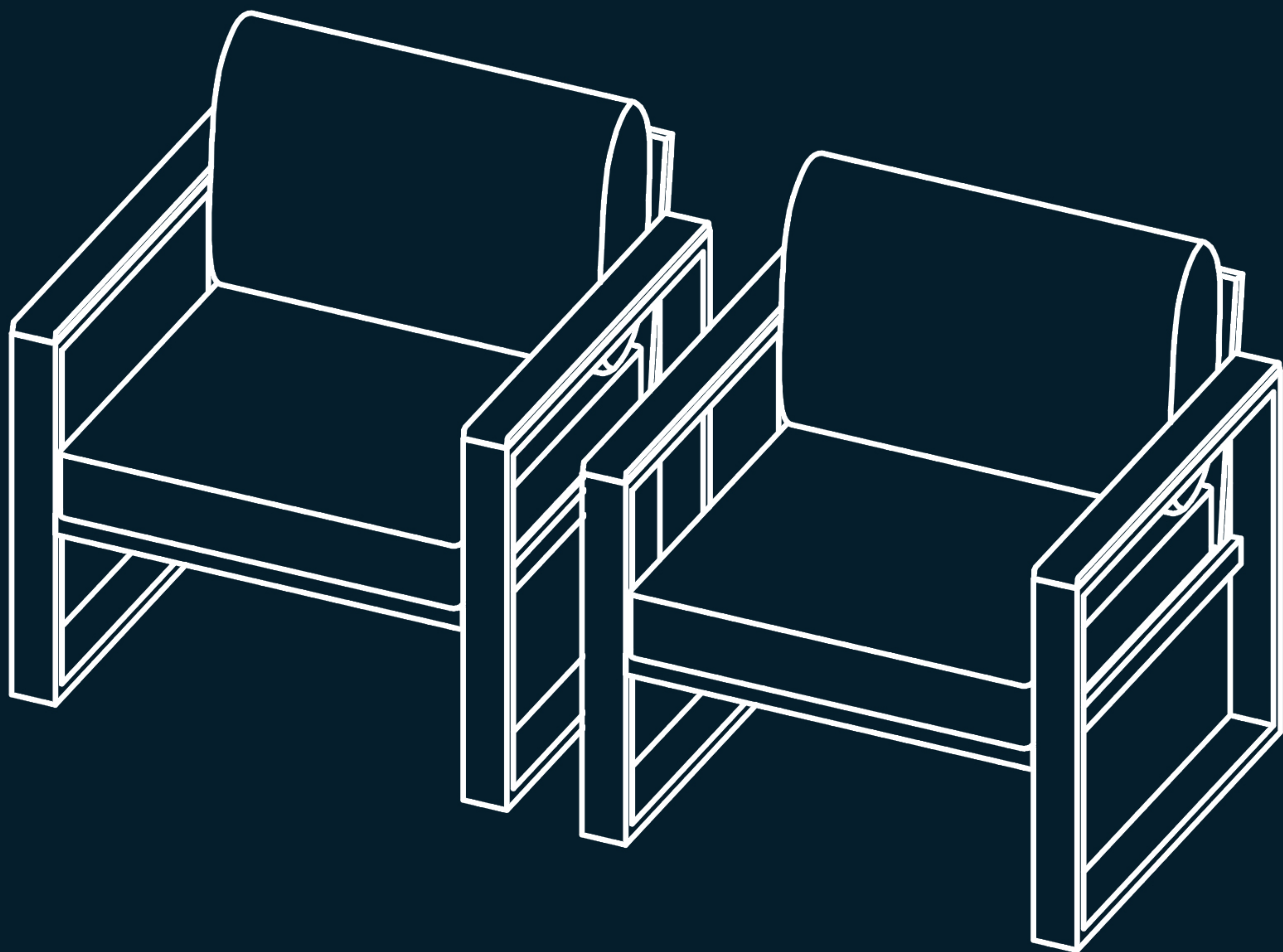
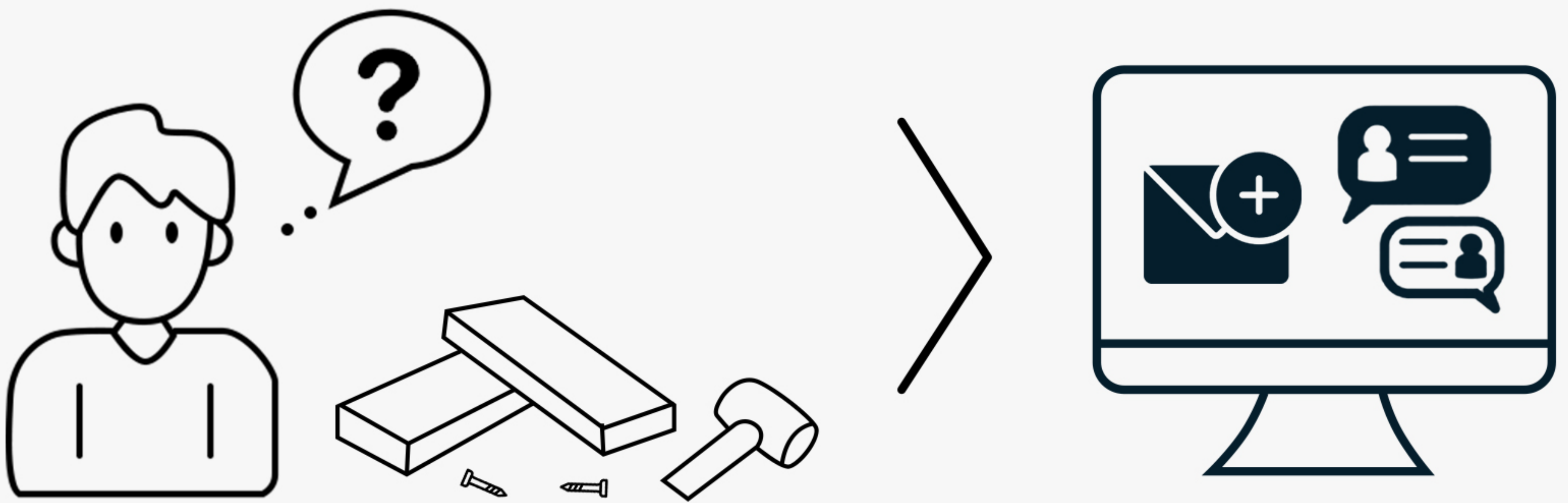


INSTRUCTION MANUAL



Aluminum Armchair


OACS-001-GY/OACS-001-NY




**Questions? Comments?
Reach out to us for expert support!**

 service@sundaleoutdoor.com

 sundaleoutdoor.com

 (626) 899-5788

 2080 S Cucamonga Ave,
Ontario, CA 91761

Follow sundaleoutdoor on





READ & SAVE BELOW INSTRUCTIONS BEFORE ASSEMBLY

- Please separate and identify all parts, making sure that you have all of the parts listed.
- To avoid any scratch during assembly, please assemble on a soft mat or similar.
- Please assemble step by step and follow the instructions.
- Washers must be used.
- Do not completely fasten each screw and nut until all the screws are properly fixed.

WARRANTY

- Thank you for purchasing our outdoor furniture, We are pleased to offer a one-year warranty on the quality of the product. This warranty covers any manufacturing defects or malfunctions that may occur within the first year of ownership.
- Exclusions: The warranty does not cover damages resulting from misuse , negligence, accidents, normal wear and tear, unauthorized repairs or modifications, improper assembly, or failure to adhere to the care and maintenance guidelines provided.

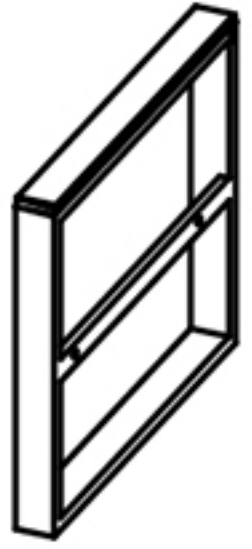
MAINTENANCE AND CARE

- Protect it from extreme weather by moving it to a covered area or using furniture covers.
- Avoid dragging heavy objects on the furniture to prevent damage.
- Regularly inspect for wear or damage and address any issues promptly.
- Check and tighten hardware connections periodically.
- Keep packaging until assembly is complete to avoid losing small parts.
- Use a damp cloth with warm soapy water or a suitable cleaning product to clean the furniture.
- Ensure proper drying after cleaning to prevent mold growth.

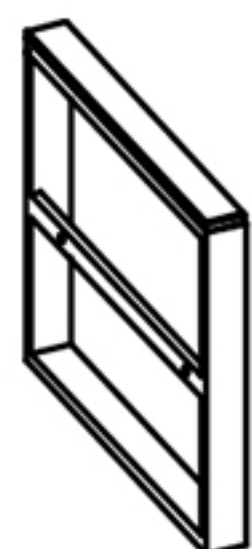
PARTS

- Carefully unpack all components and verify that all necessary parts are included in the package before assembling. Assemble the furniture in the order specified to ensure proper alignment and installation.
- If any difficulty occurs during assembly, please contact our customer support.

PARTS



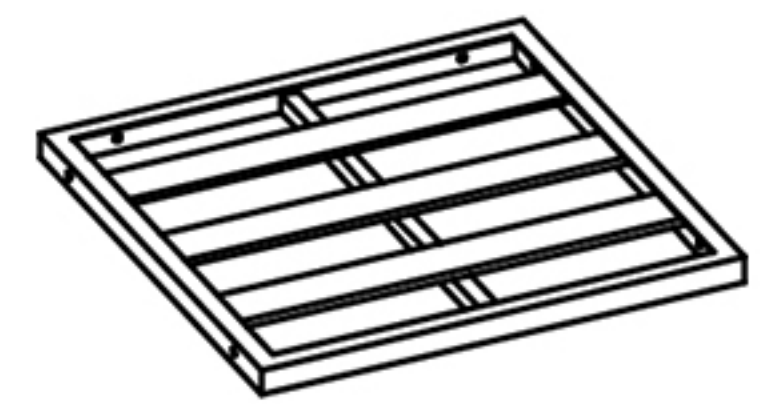
Right Armrest
Ax2



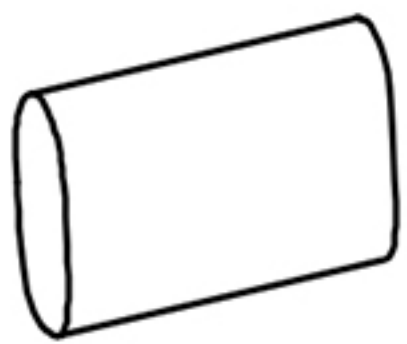
Left Armrest
Bx2



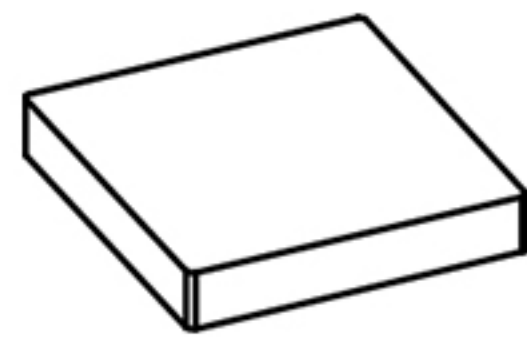
Seat Back
Cx2



Seat Plate
Dx2

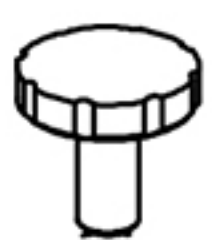


Back Cushion
Jx2

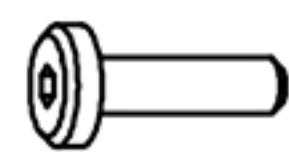


Seat Cushion
Ix2

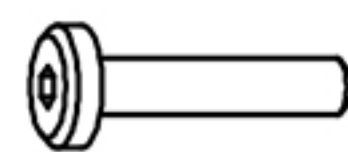
HARDWARE



Height Adjustment
Screw
Qx8



Bolt M6*32MM
Sx12



Bolt M6*55MM
Tx4



Washer
Ux16



Cap
Vx16

TOOL



Allen Wrench



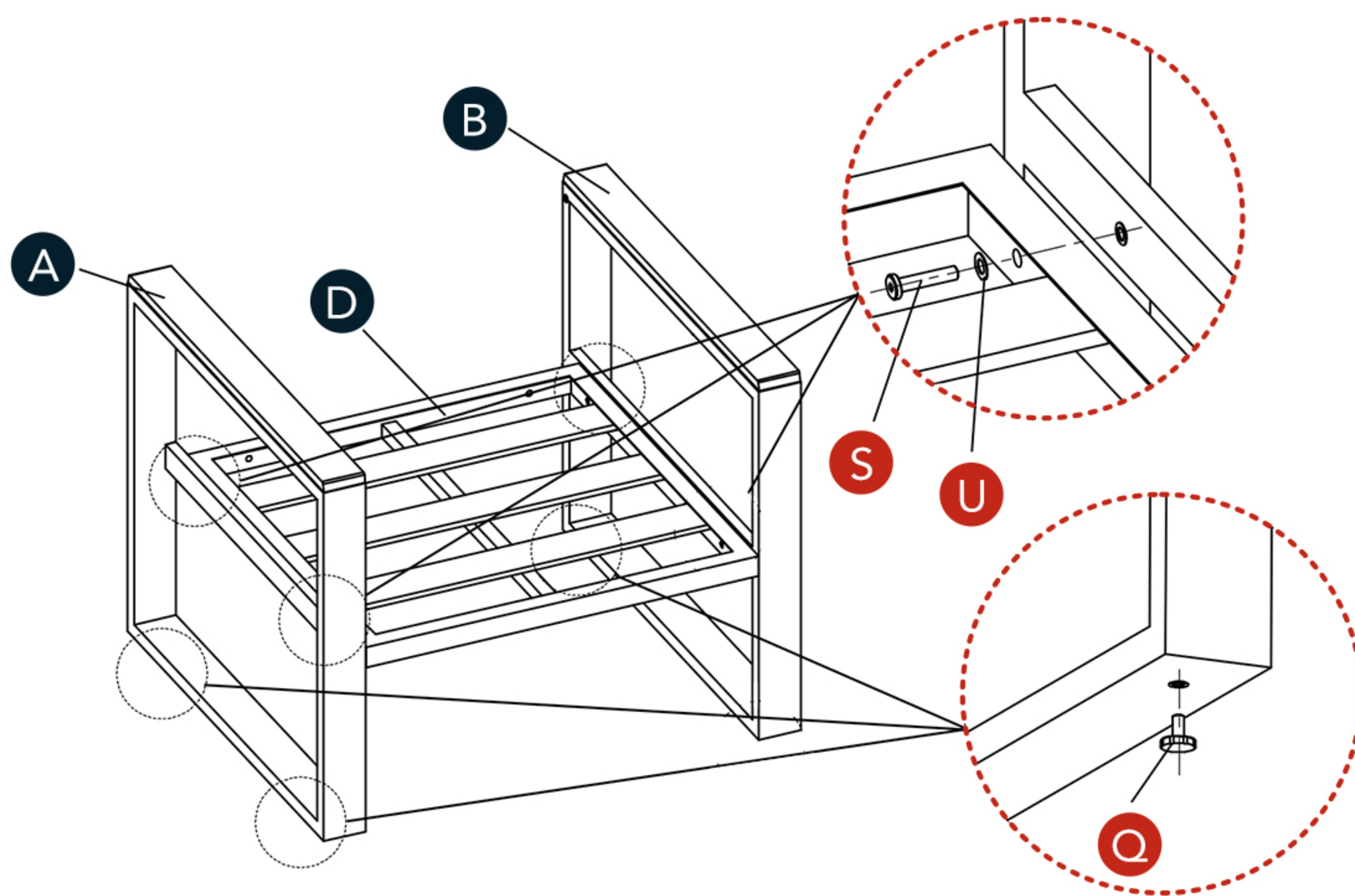
1 PERSON
ASSEMBLY



UP TO 15 MIN.
ASSEMBLY

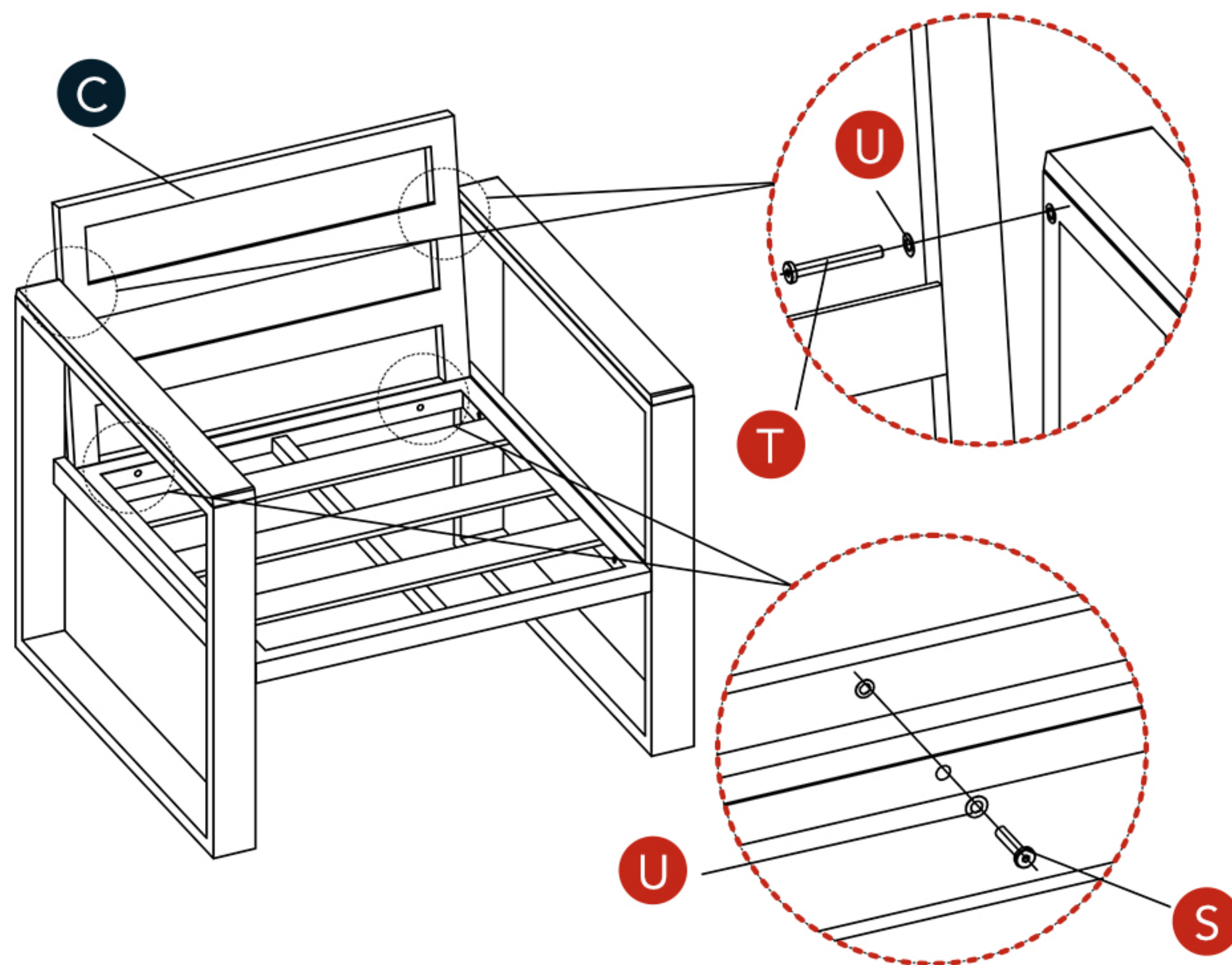
ASSEMBLY

Note: Do not fully tighten screws, tighten the screws only after all components are installed.



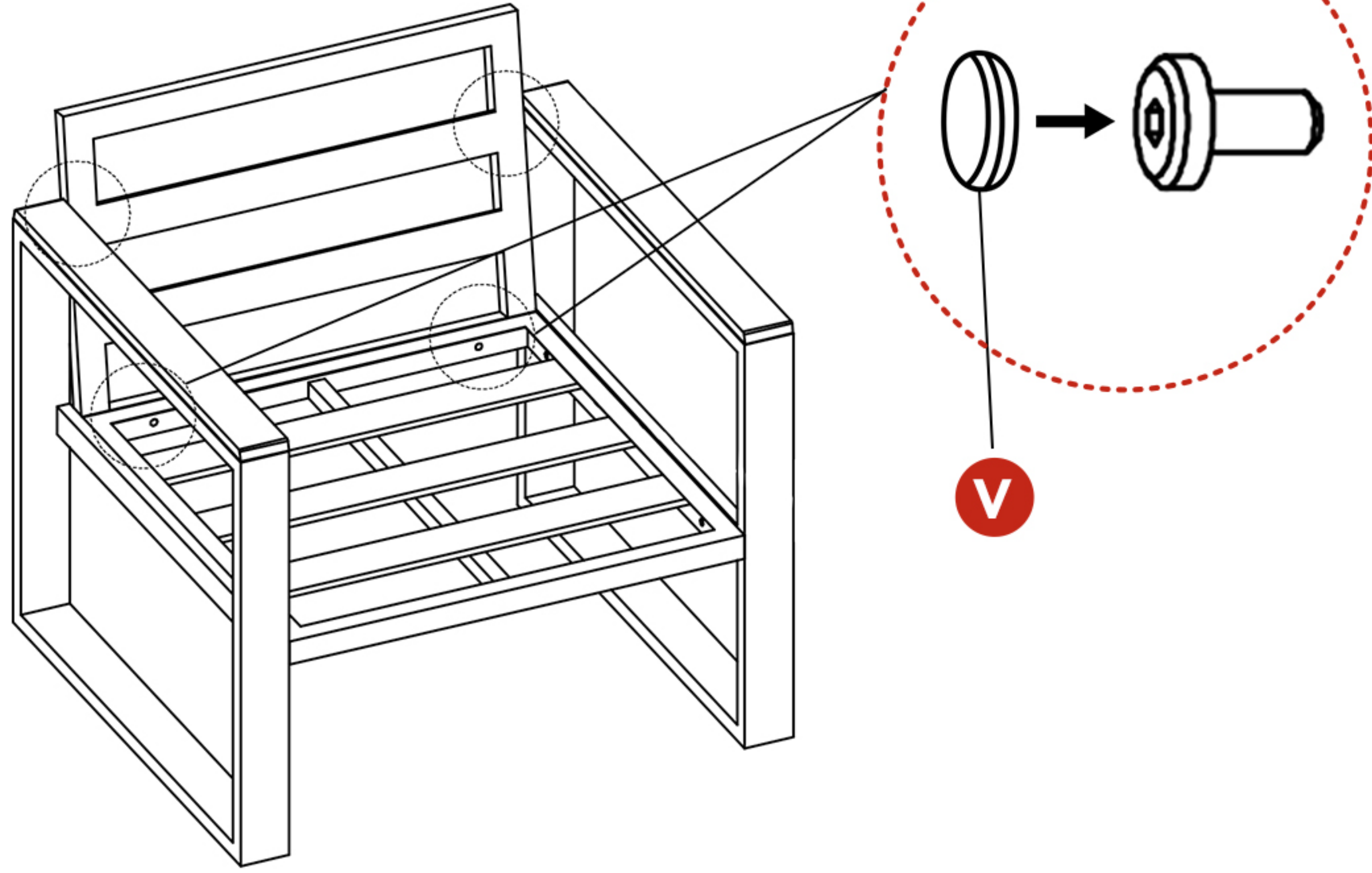
- 1** -Attach the Seat Plate to the Left and Right Armrest using Bolt M6*32MM[S] & Washer[U].
-Install the Height Adjustment Screw[Q].

A x1 **B** x1 **D** x1
S x4 **U** x4 **Q** x4



- 2** -Attach the Seat Back to the Left/Right Armrest with the Bolt M6*55MM[T] & Washer[U].
-Attach the Seat Back and Seat Plate with the Bolt M6*32MM[S] & Washer[U].

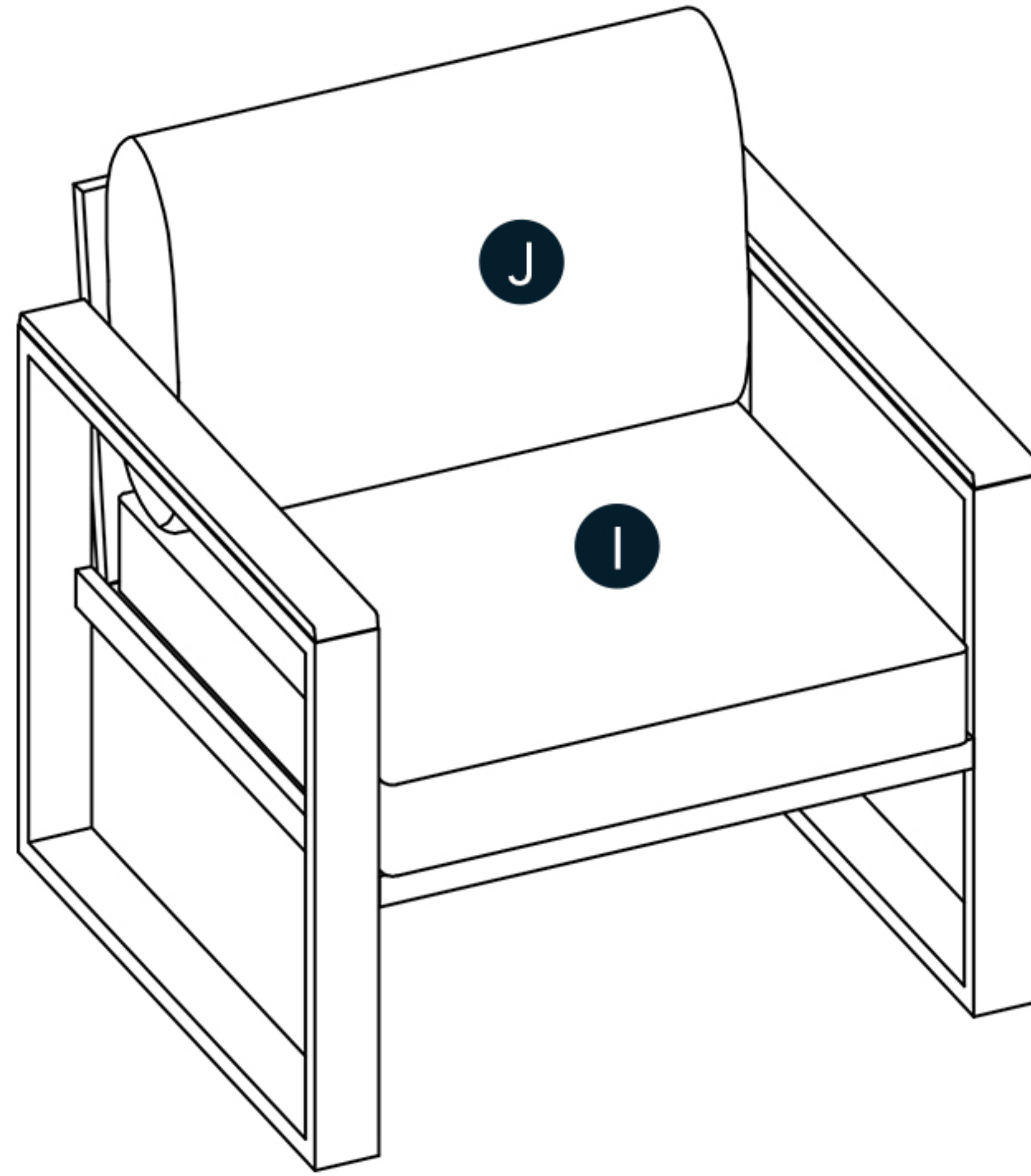
C x1 **S** x2 **T** x2 **U** x4



3

Install the Cap[V].

V x8



4

Put the Seat Cushion[I] and Back Cushion[J].

I x1 J x1

Olefin furnishing fabric: Everything you ever needed to know

Olefin is a man-made fabric that is extremely durable. The fibres are created using heat, pressure, and a catalyst. In fact, olefin often goes by another name: polypropylene. This chemically created fabric is often considered to be more environmentally friendly than cotton, silk, and other natural fibres.

The advantages of olefin fabrics

Comfortable. Olefin fabric is remarkably soft and smooth.

Durable. Olefin fabrics are highly durable and is particularly resistant to abrasion.

Colourfast. Dyeing is done using a solution during production, giving olefin fabrics incredible colourfastness.

Mould and mildew resistant. Olefin fabrics are resistant to mould, chemicals and insects and are easy to clean and maintain.

What does olefin fabric feel like?

Olefin fabric feels soft and smooth, just like cotton. It's lightweight, breathable, and durable—excellent for outdoor use.

Olefin furnishing fabric: that's a wrap!

If you're looking for a fabric that can withstand the elements and offers an inviting, easy-to-clean texture, olefin is the answer. Therefore, we are currently using solution-olefin fibres in our Outdoor Furniture ranges.

QUESTION ABOUT OUR PRODUCT? WE'RE HERE TO HELP.

————— Contact us at: service@sundaleoutdoor.com —————