

READ AND SAVE THIS INSTRUCTIONS FOR FUTURE USE

# ASSEMBLY & INSTRUCTION MANUAL

# Garden Table

## **IMPORTANT-KEEP THIS INFORMATION FOR YOUR SUBSEQUENT CONSULTATION: READ CAREFULLY**

**Only for domestic use**

### **Use tips:**

- \*Put the table stably on a flat floor.
- \*Stay away from open flames.
- \*Avoid the overload at the anchors/structure.
- \*It is recommended to protect in case of strong wind or rain and in your absence.

### **Precautions before assembly:**

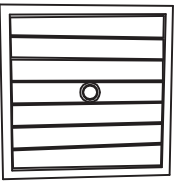
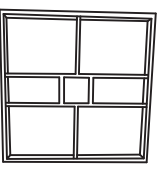
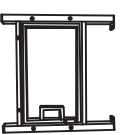
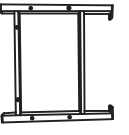
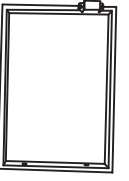
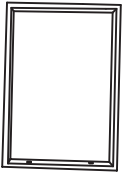





- \*Prepare a clean and dry mounting area.
- \*Verify that the product is not damaged.
- \*Check that none of the pieces are missing.

### **Maintenance:**

- \*Clean with a soft fabric.
- \*Regularly remove leaves and / or water collected on the table.
- \*Check the table regularly.

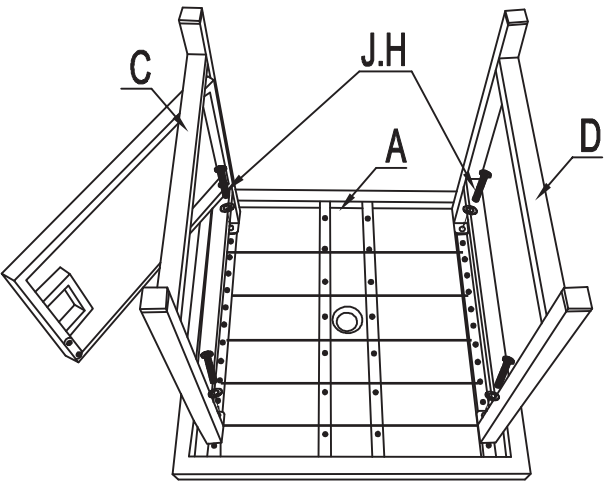
**Caution with the risks of pinching or cuts during assembly.**

**The manufacturer declines all responsibility in case of damages due to a bad installation or due to weather.**

<p>(A)</p>  <p>A 1PC</p>	<p>(B)</p>  <p>B 1PC</p>	<p>(C)</p>  <p>C 1PC</p>	<p>(D)</p>  <p>D 1PC</p>
<p>(E) with magnetic</p>  <p>E 1PC</p>	<p>(F) w/o magnetic door catch</p>  <p>F 1PC</p>	<p>(G)</p>  <p>G 1PC</p>	<p>(H)</p>  <p>H M6X15MM 4PCS</p>
<p>(I)</p>  <p>I M6X30MM 12PCS</p>	<p>(J)</p>  <p>J 16PCS</p>	<p>(K)</p>  <p>K 1PC</p>	

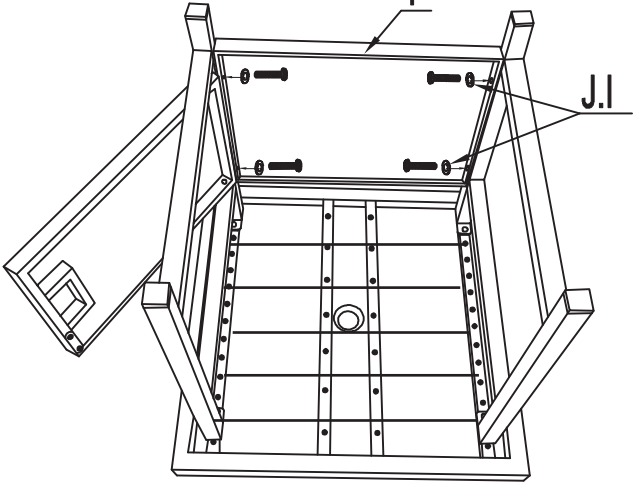
Attention : Please put washer "J" for each screw before screwing.  
 Do not tighten the screws until you have complete setup assembly.  
 2 different length screws included.(short and long)

1



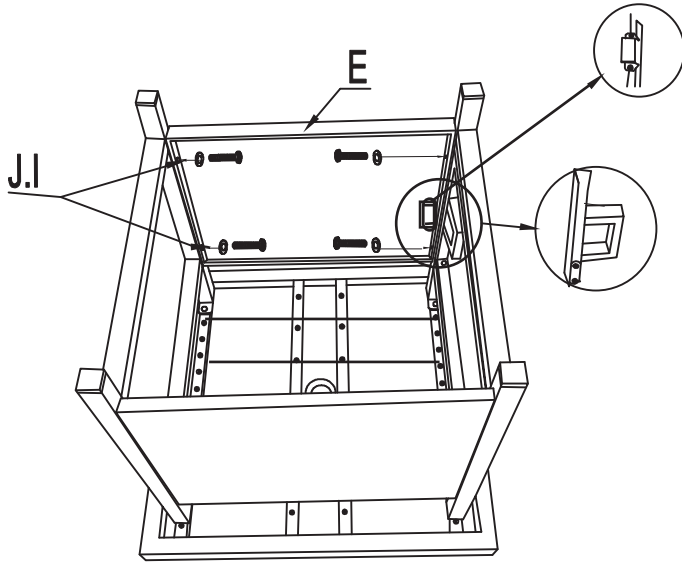
Use 2 screws "H"(short screw) to assemble the table leg part "C"(the one with open close panel) with the table top "A".same way to assembly another table leg part "D" with table top "A" .donot tighten the screws.

2



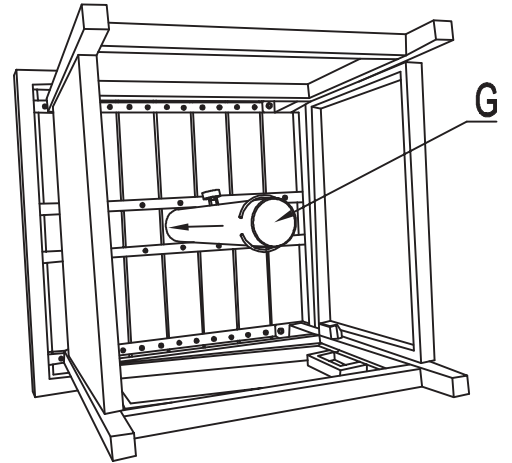
Side panel "F" is the one without magnetic door catch,use 4 screws "I"(long screw)to assemble side panel "F" with table leg part "C" and "D",please be sure not to connect "F" with the side of open close with handle side , donot tighten the screws.

3



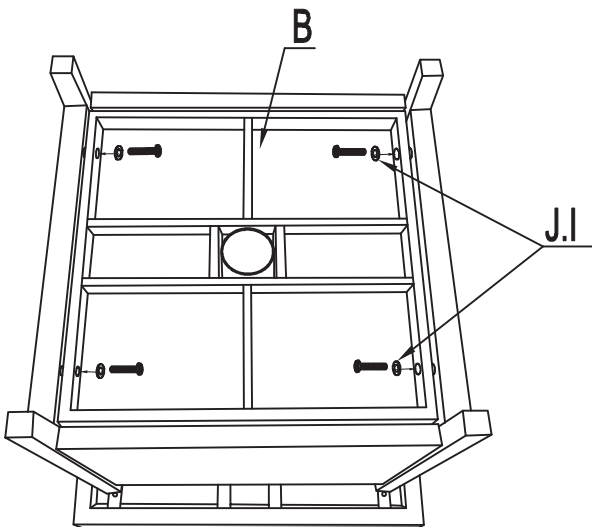
Side panel "E" is the one with magnetic door catch, use 4 screws "I" (long screw) to assemble side panel "E" with table leg part "C" and "D", please make sure the magnetic door catch can match the iron chip under the handle, don't tighten the screws.

4



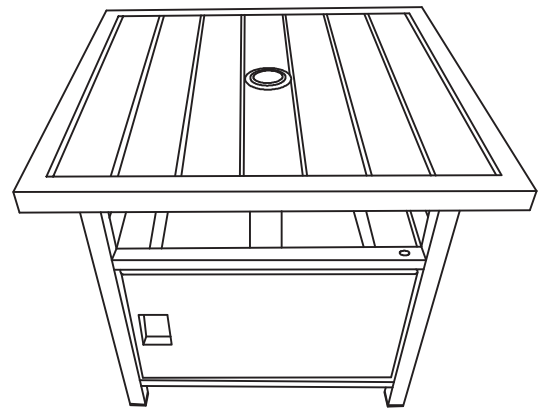
Put the umbrella protect pole "G" on

5



Use 4 screws "I" (long screw) to assemble the bottom shelf "B" with 4 table legs. don't tighten the screws.

6



Make sure all legs in horizontal, then tighten all screws.