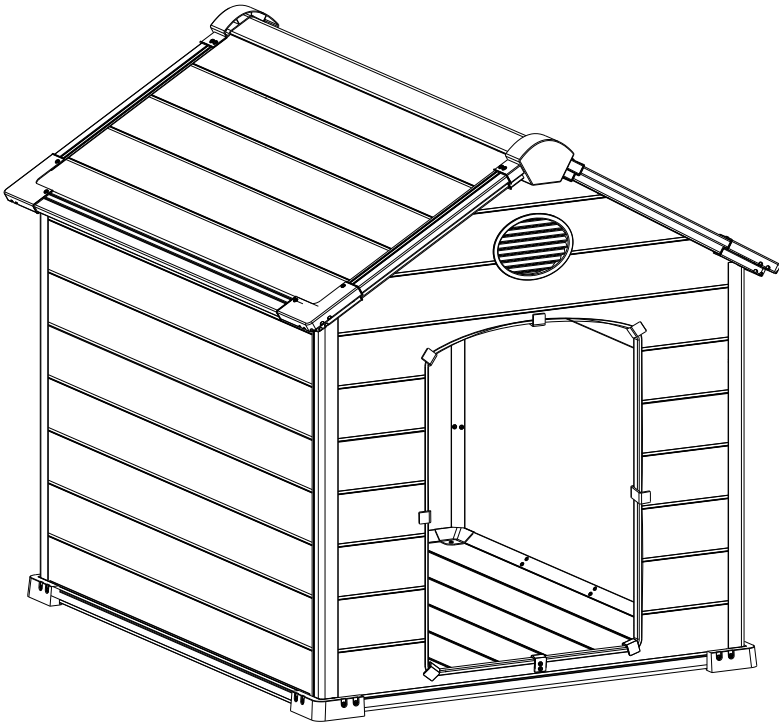
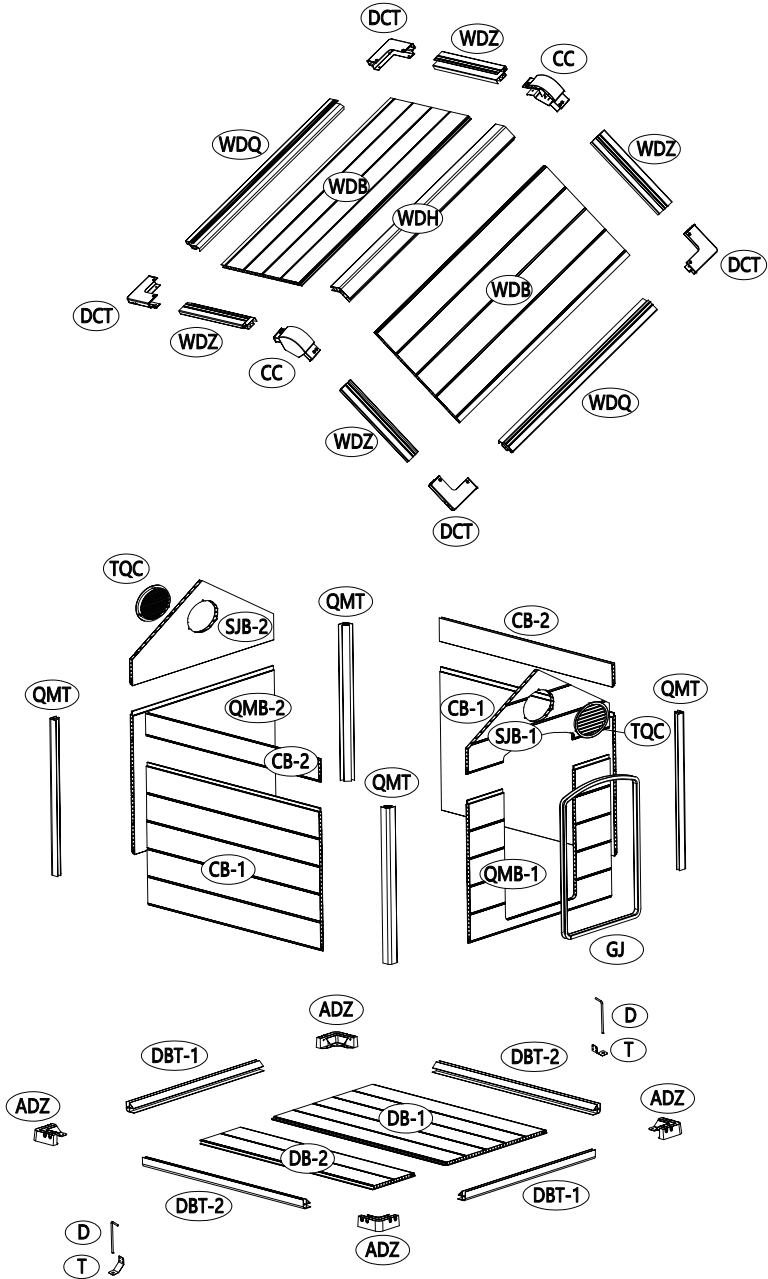


# ASSEMBLY INSTRUCTIONS

## Pet House



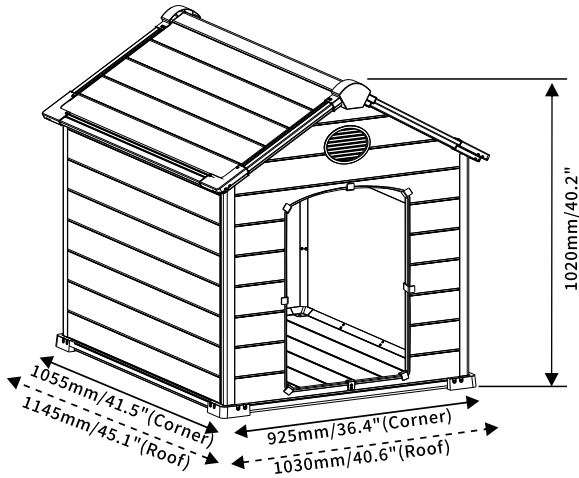
# EXPLOSIVE VIEW PART 1



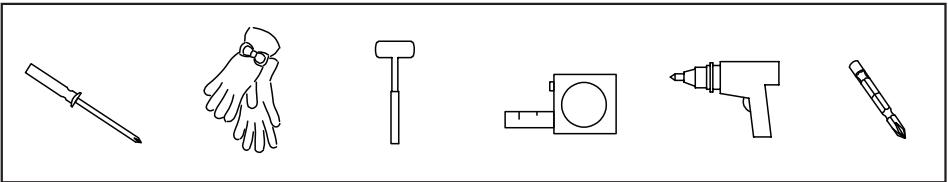
# Installation Precautions

## Leave enough space

Operating space shall be reserved for external installation work.



## REQUIRED TOOLS



# Accessories & Parts 1

"IMPORTANT, RETAIN FOR FUTURE REFERENCE: READ CAREFULLY"

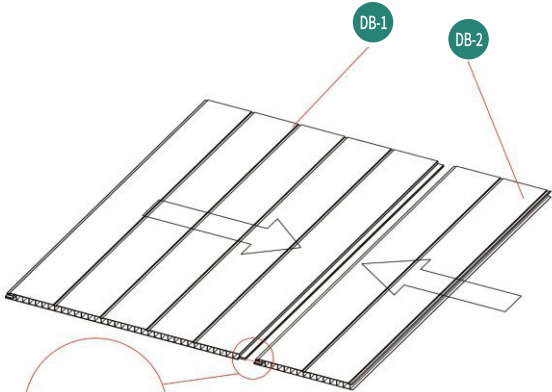


1. Gather and organize all required parts before assembling.
2. Assemble on a flat, clean surface.
3. Two or more people are required for assembly.

Item No.	Reference Image	Qty.	Item No.	Reference Image	Qty.
QMB-1		X1	QMT		X4
QMB-2		X1	DBT-1		X2
SJB-1		X1	DBT-2		X2
CB-1		X2	ADZ		X4
CB-2		X2	DCT		X4
SJB-2		X1	CC		X2
WDB		X2	GJ		X1
DB-1		X1	L	 5X14MM	X123
DB-2		X1	O	 5X20MM	X16
WDZ		X4	TQC		X2
WDQ		X2	T		X2
WDH		X1	D		X2
GDK-1		X8	M	 M4X12MM	X16

**1**

DB-1 1pc DB-2 1pc L 3pcs



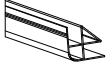
Fully fit to each other without any gap.



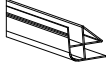
L

Install the DB-1 and DB-2 and tighten the screws.

# 2



DBT-1 2pcs



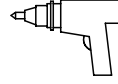
DBT-2 2pcs



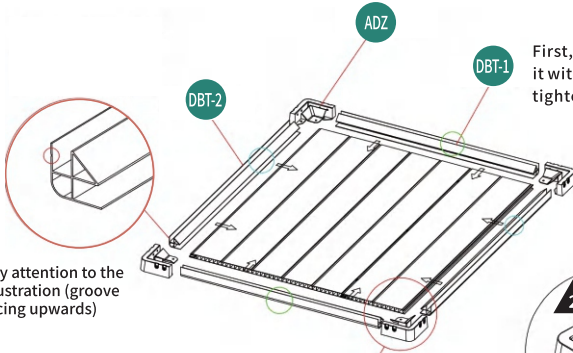
ADZ 4pcs



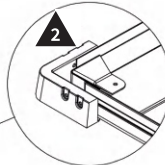
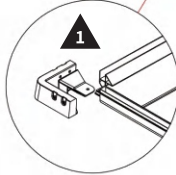
L 16pcs



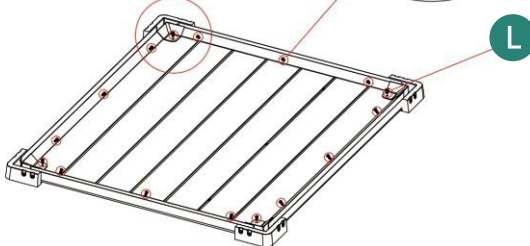
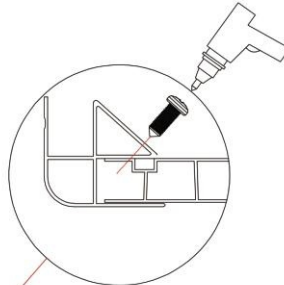
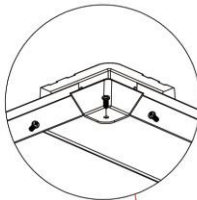
⚠ Pay attention to the illustration (groove facing upwards)



First, install the DBT-1 and DBT-2 by aligning it with the arrow direction, then secure and tighten it using the ADZ corner and screws.



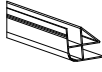
Install the parts following the arrow direction and tighten the screws.



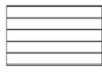
# 3



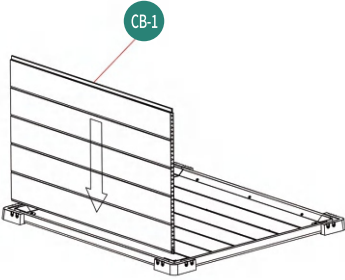
QMB-1 1pc



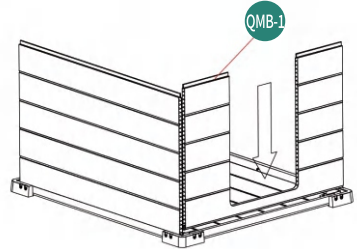
QMT 1pc



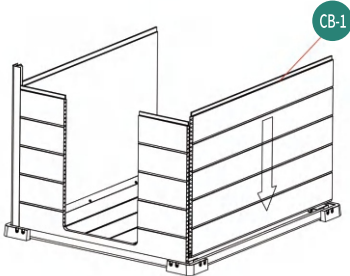
CB-1 2pcs



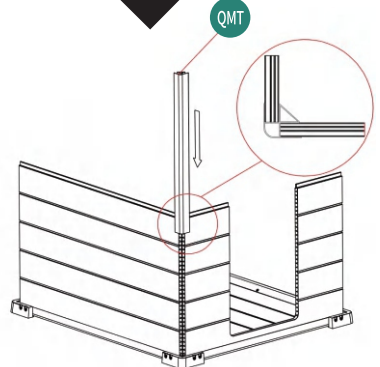
Insert the CB-1 panel into the slot, following the arrow direction.



Insert the QMB-1 panel into the slot, following the arrow direction.



Insert the CB-1 panel into the slot, following the arrow direction.

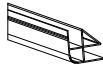


Insert the QMT panel into the slot, following the arrow direction.

# 4



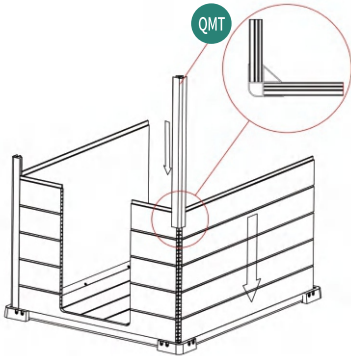
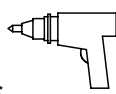
QMB-2 1pc



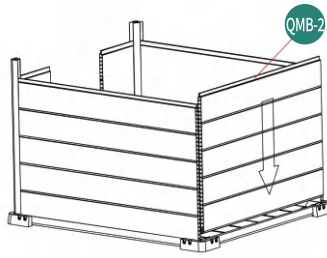
QMT 3pcs



L 16pcs



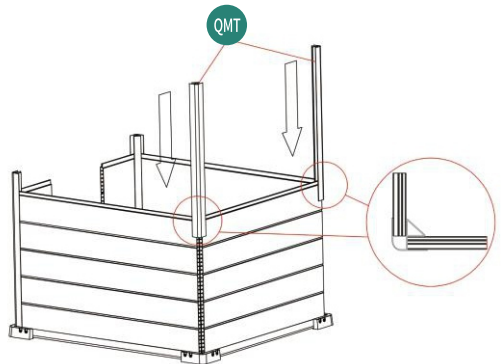
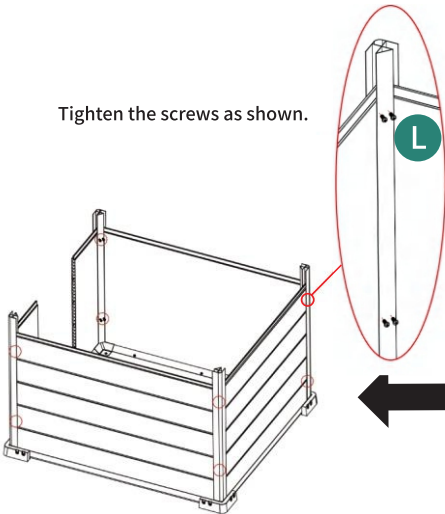
Insert the QMT panel into the slot, following the arrow direction.



Insert the QMB-2 panel into the slot, following the arrow direction.

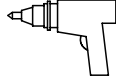


Tighten the screws as shown.

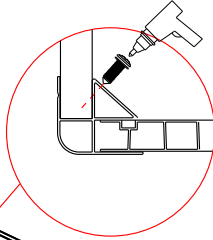


Insert the QMT into the slot in the direction of arrow.

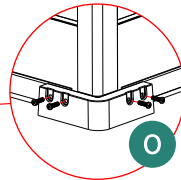
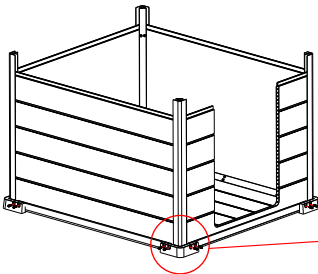
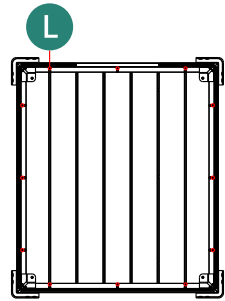
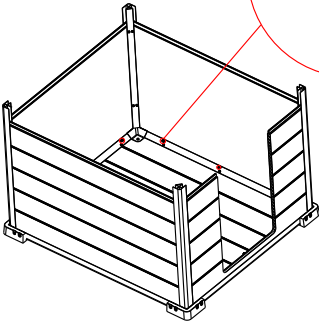
5



Ⓛ 12pcs Ⓞ 16pcs



Tighten the screws as shown.



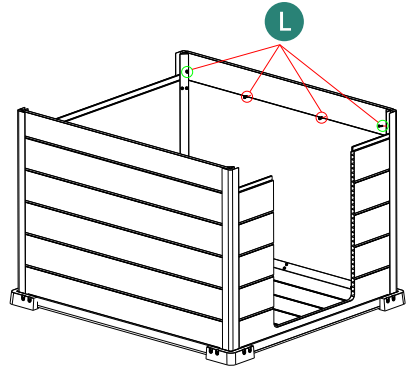
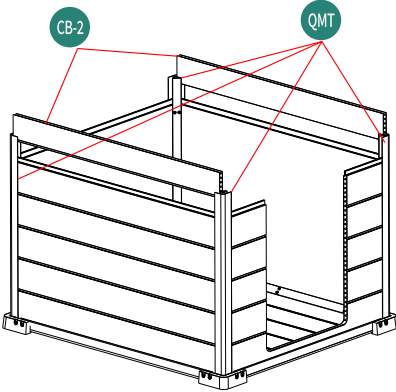
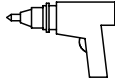
# 6



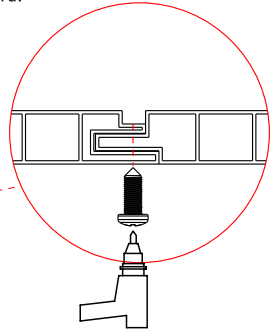
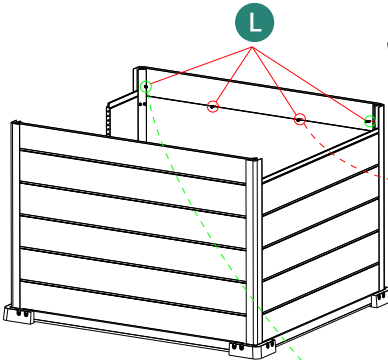
CB-2 2pcs



L 8pcs



Slide the CB-2 panel into the QMT slot and move it downward.



7



ⓈJB-1 1pc



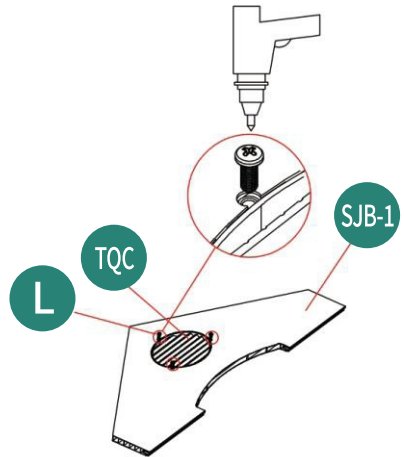
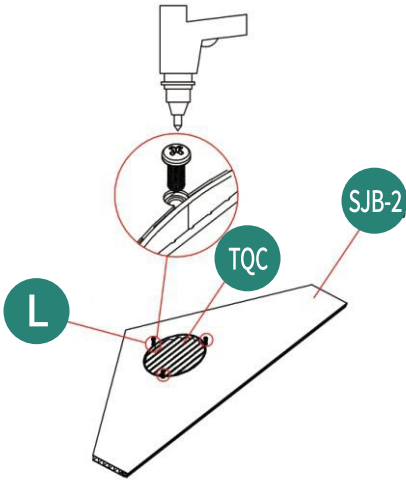
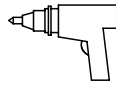
ⓈJB-2 1pc



ⓉQC 2pcs

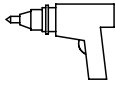


Ⓛ 6pcs

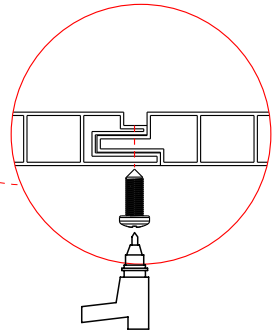
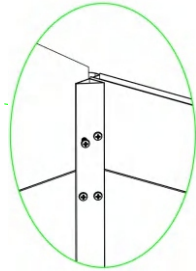
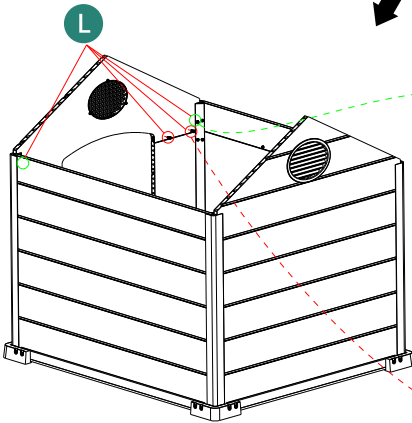
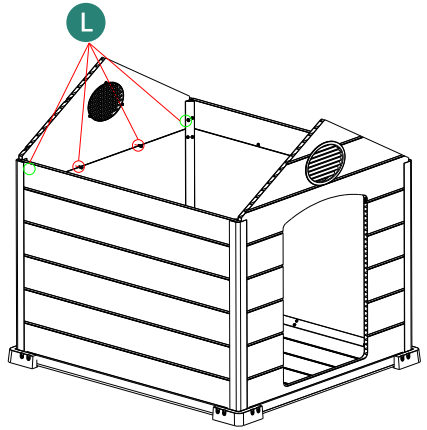
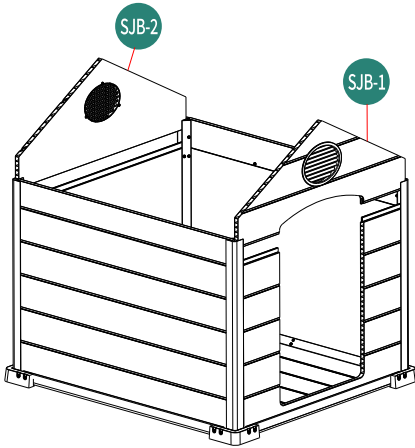


Install the TQC into the SJB-1/SJB-2 panel and tighten the screws.

8



Ⓛ8pcs



# 9



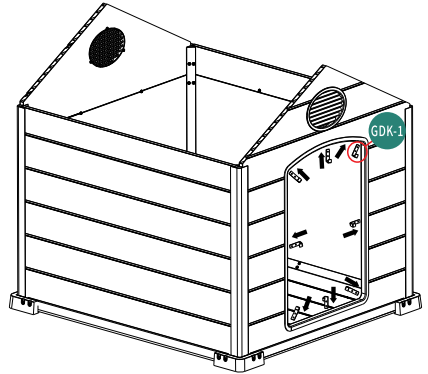
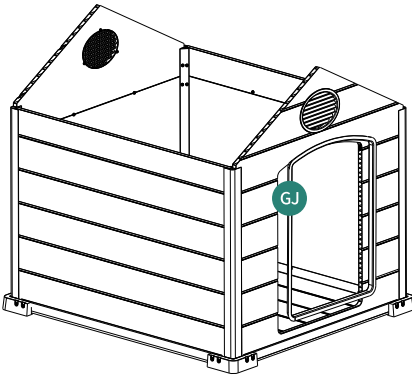
GJ 1pc



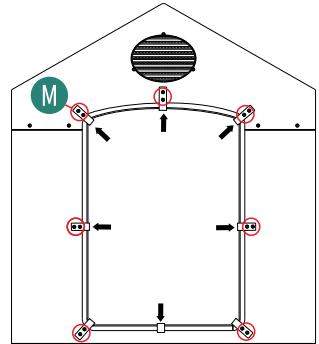
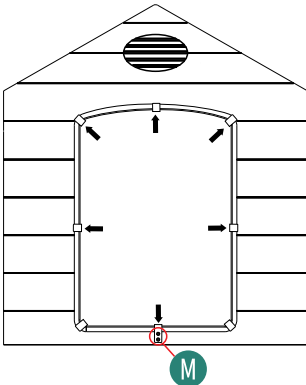
GDK-1 8pcs



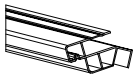
M 16pcs



The GJ silicone strip is adjustable in length. Please ensure the length is appropriate, as being too long or too short may affect the functionality of the dog house.



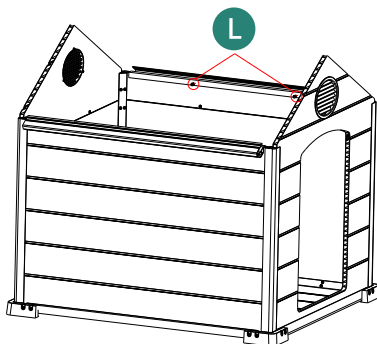
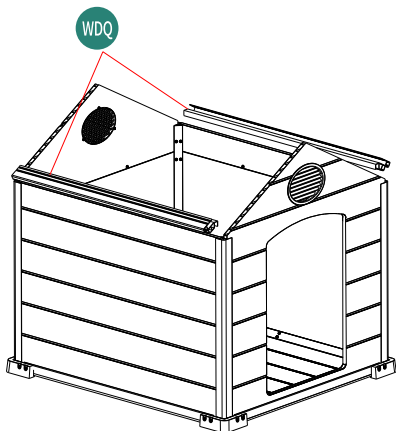
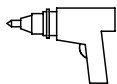
# 10



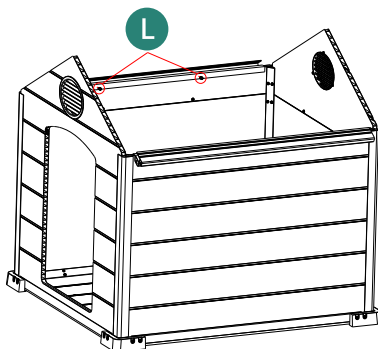
WDJ 2pcs



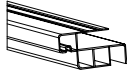
L 4pcs



Align the WDJ slot with the CB-2 board and secure it with 2 screws.



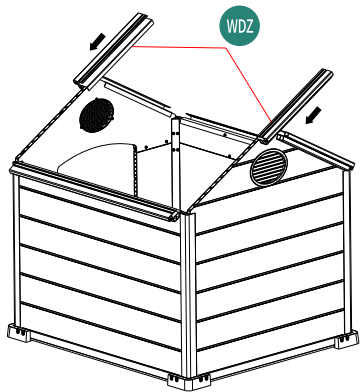
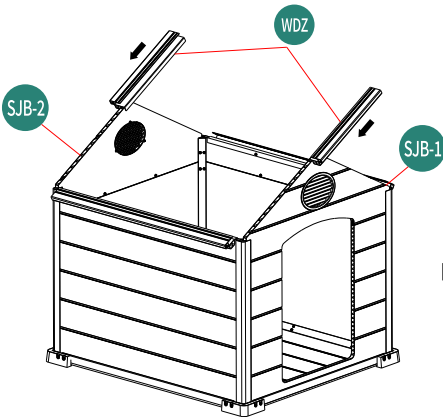
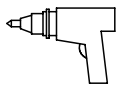
# 11



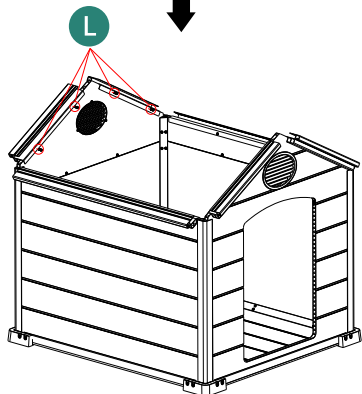
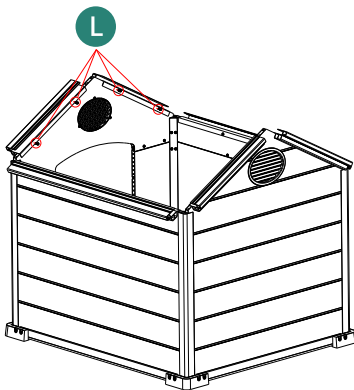
WDZ 4pcs



L 8pcs



Insert WDZ into SJB-1/SJB-2 in order, then push in the arrow direction.



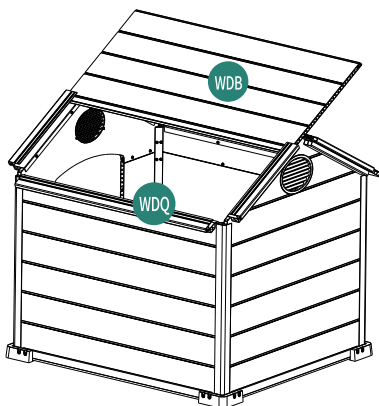
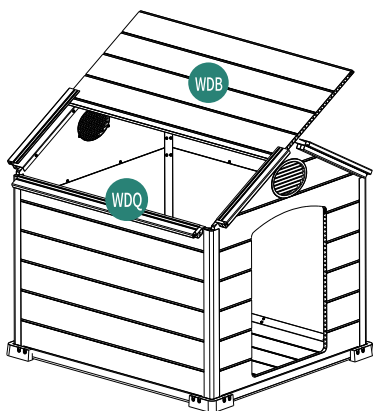
# 12



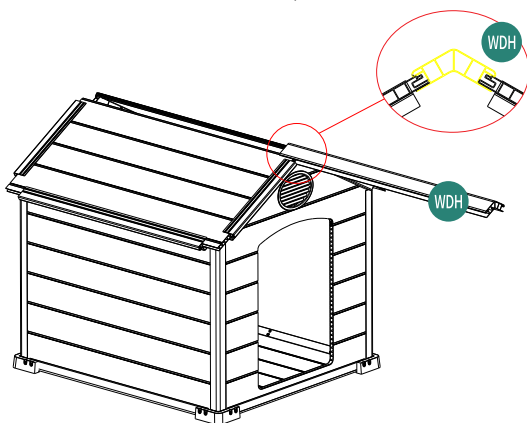
WDB 2pcs



WDH 1pc

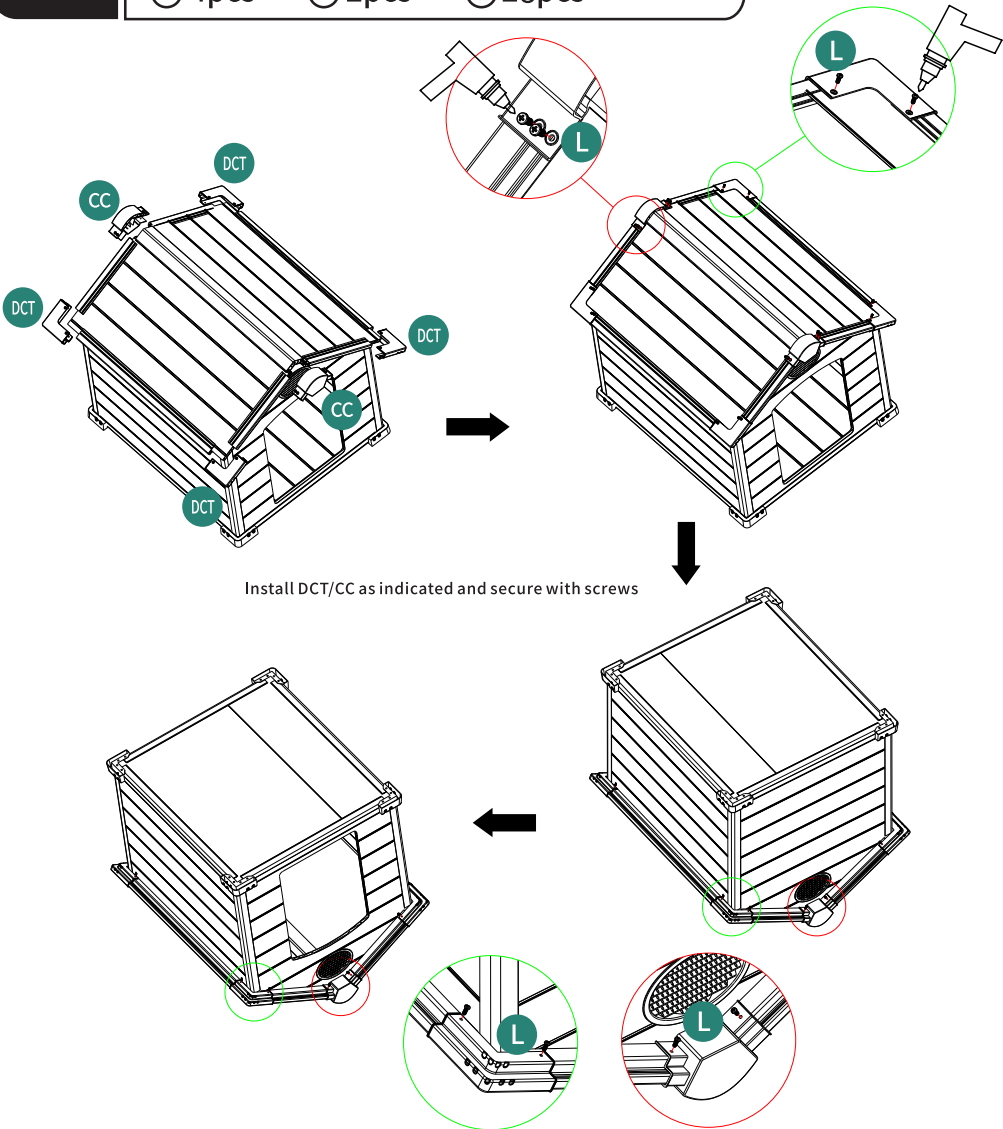
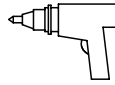
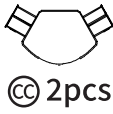


Align WDB with the WDQ slot and push as directed.



Lock WDH into WDB and push forward (see cross-section for details).

# 13



# 14



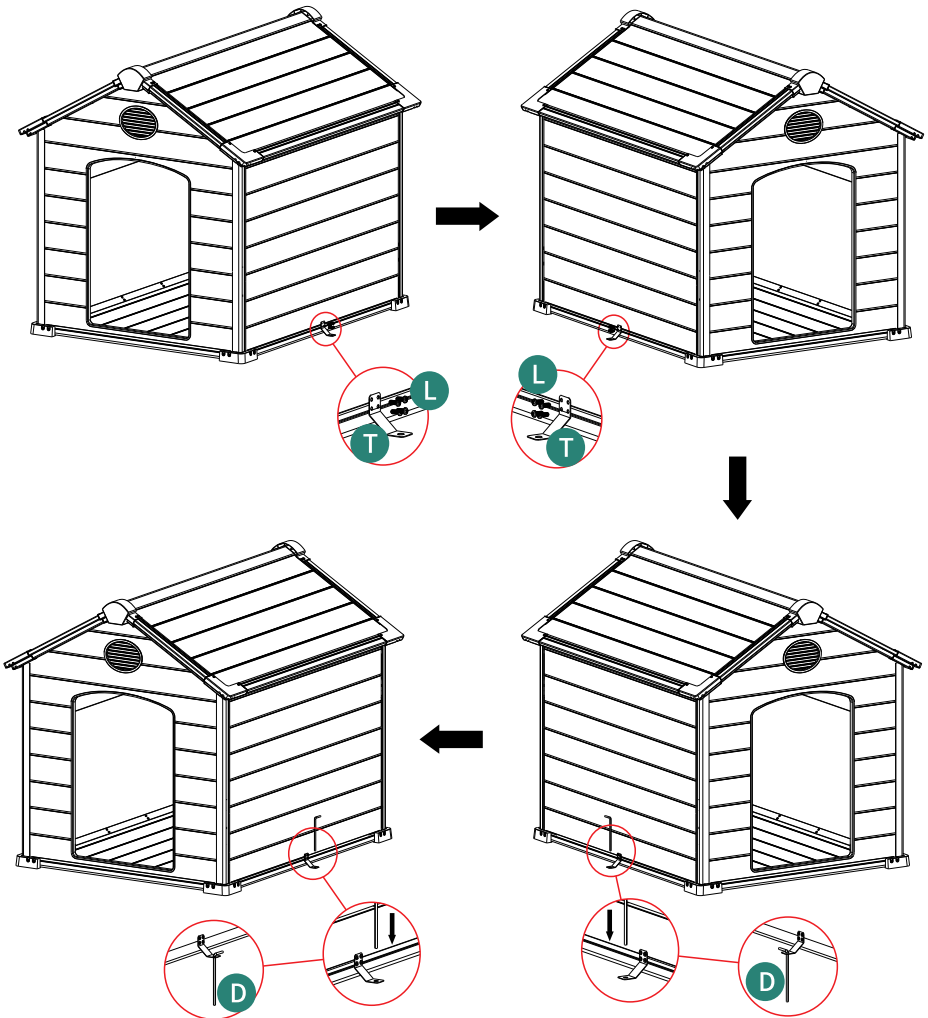
Ⓣ 2pcs



ⓓ 2pcs

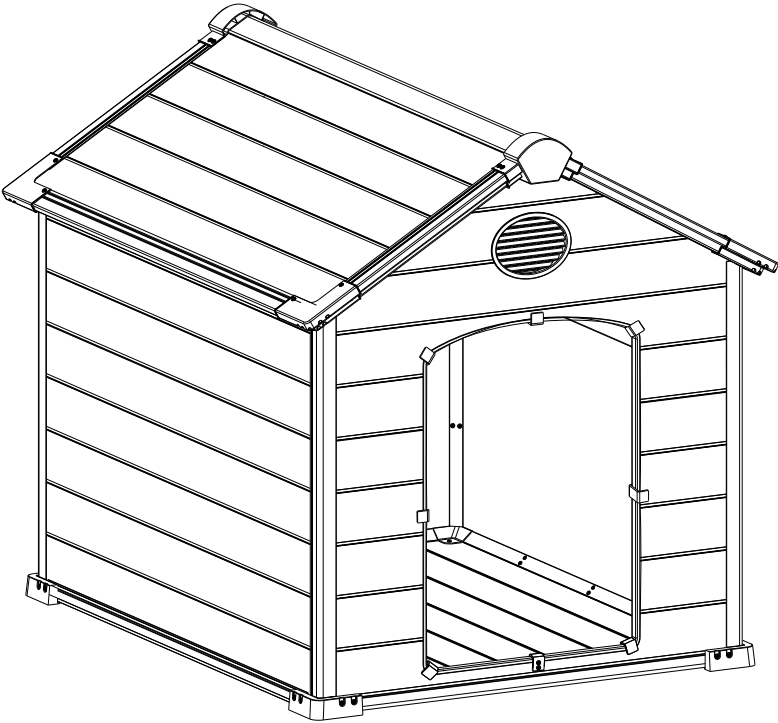


Ⓛ 8pcs



---

15



Assembly completed.

