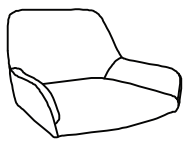


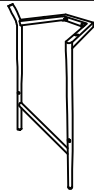
Counter Stool

Assembly Instructions
Instrucciones De Asamblea
Instructions d'Assemblée

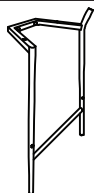
PARTS



A



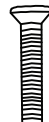
B



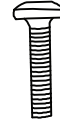
C



x2
D



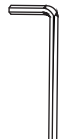
x4
E



x6
F

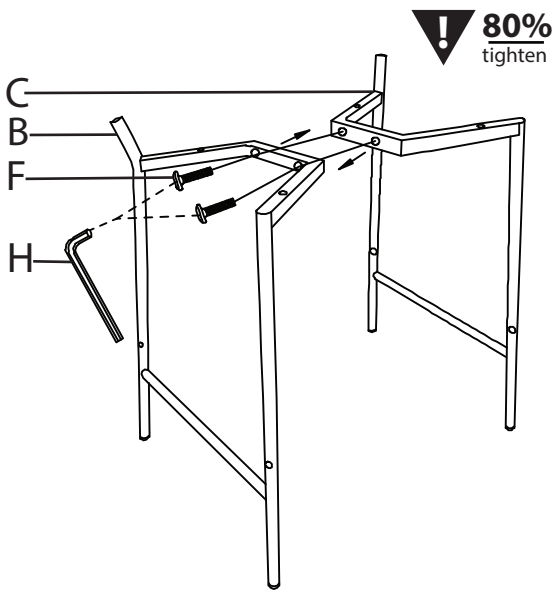


x4
G

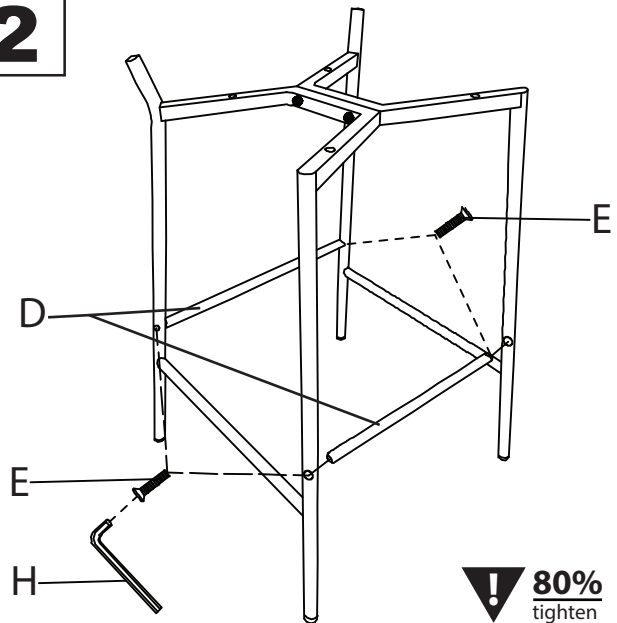


x1
H

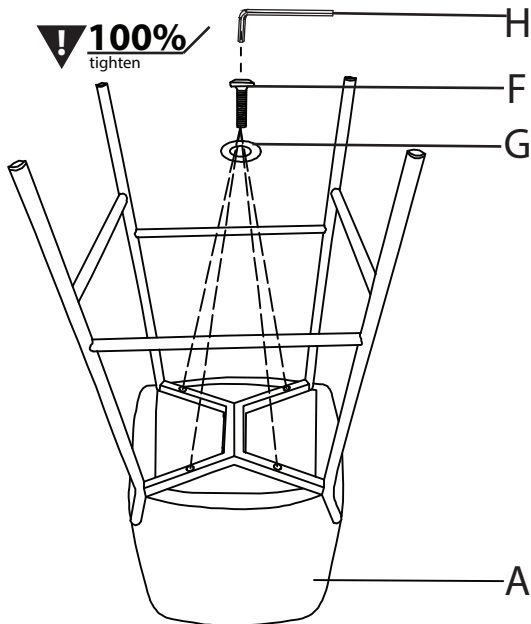
1



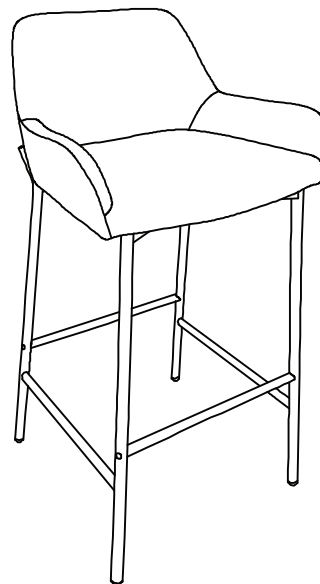
2



3



4



Do not over tighten.
Do not use power tools to assemble.