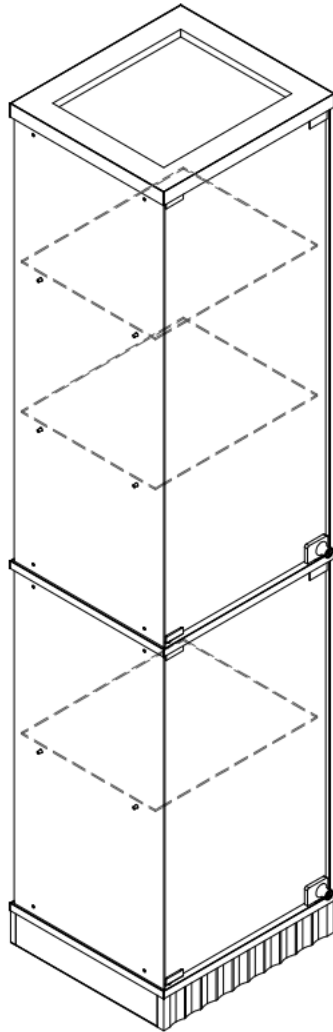
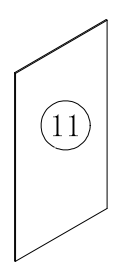
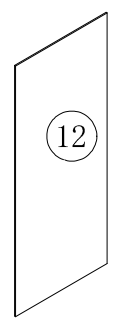
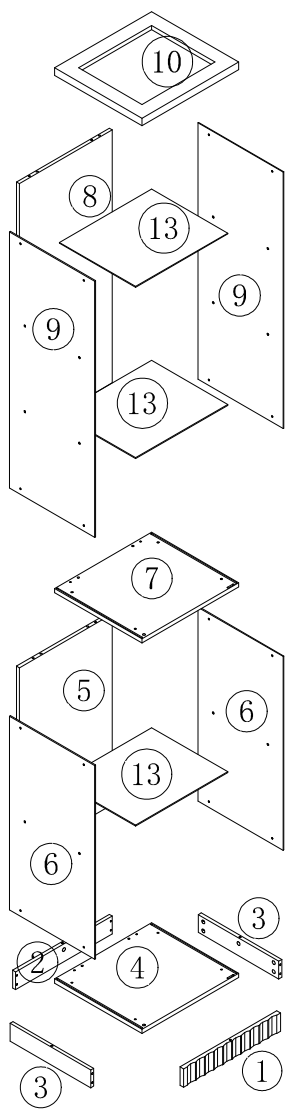
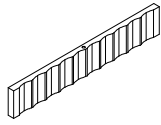


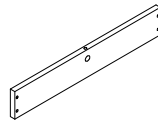
Product structure decomposition



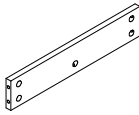




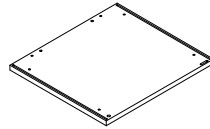
1 x 1



2 x 1



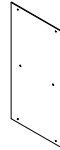
3 x 2



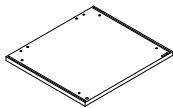
4 x 1



5 x 1



6 x 2



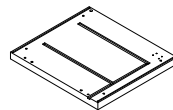
7 x 1



8 x 1



9 x 2



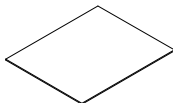
10 x 1



11 x 1

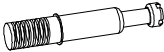



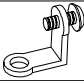
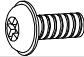

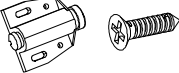
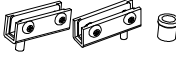
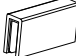




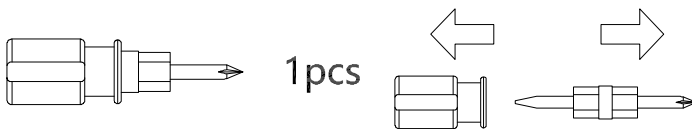
12 x 1



13 x 3

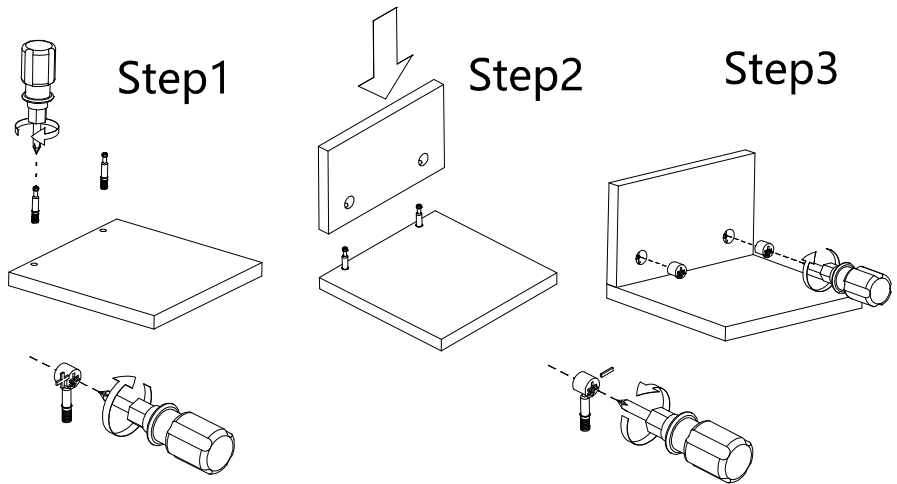
Accessories list

| | | | |
|---|---|--------------------------------|-------------------|
| A |  | Two In One Screw(6x28mm) | 20pcs |
| B |  | Two In One Nut(10x12mm) | 20pcs |
| C |  | Wood Chipping | 8pcs |
| D |  | Foot rubber pad | 4pcs |
| E |  | corner brace fastener | 16pcs |
| E |  | Screw (M4x8) | 16pcs |
| F |  | gasket | 16pcs |
| H |  | Rebound device & screw(3x16mm) | 2pcs-8pcs |
| H |  | hinge | 2pcs-2pcs 4pcs |
| H |  | Iron sheet | 2pcs |
| I |  | Lock | 2pcs |
| J |  | shelf bracket & Screw(MBX16mm) | 12pcs |



Double-head screwdriver, use as required

Use parts ① and ②

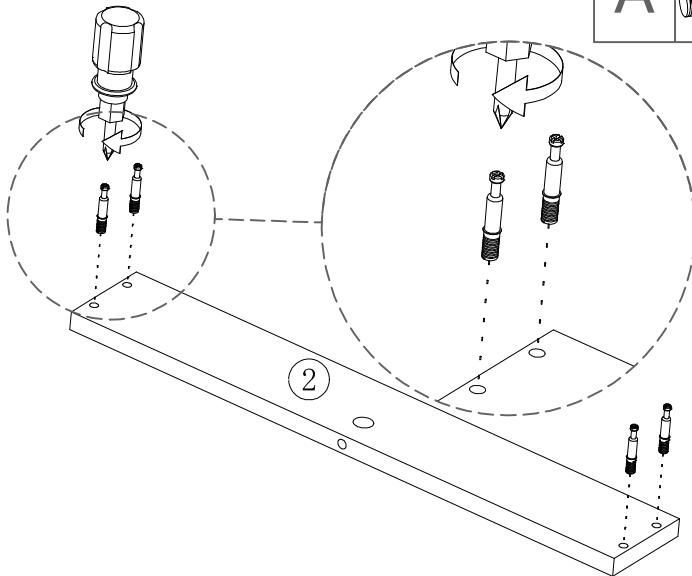


Use a screwdriver to lock in the direction of the "+" sign

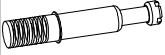
Disassemble along the direction of "-" sign

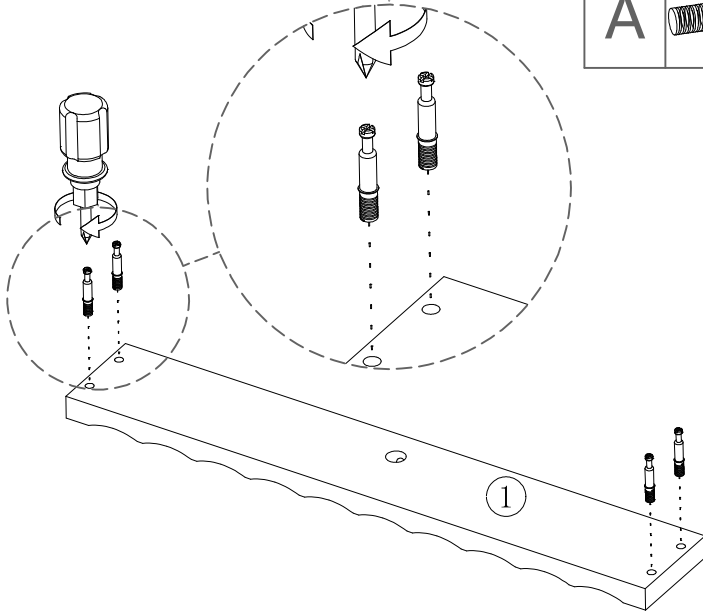
Step 1

| code | Diagram | count |
|------|---------|-------|
| A | | 4 |



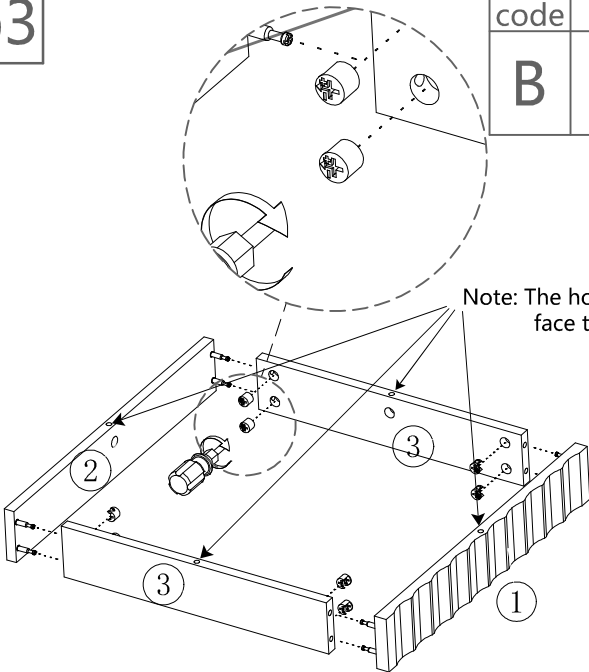
Step2

| code | Diagram | count |
|------|---|-------|
| A |  | 4 |

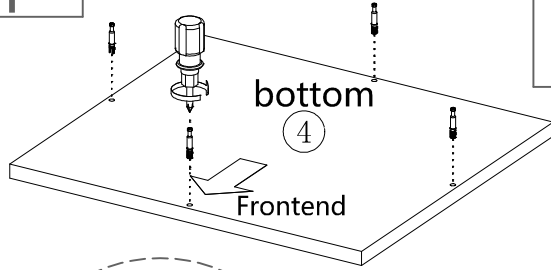


Step3

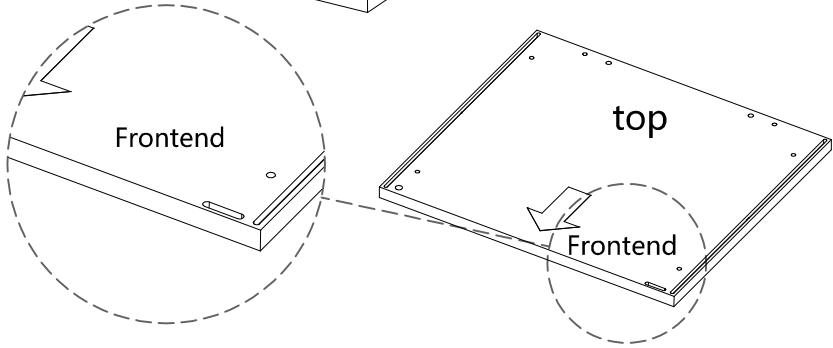
| code | Diagram | count |
|------|---|-------|
| B |  | 8 |



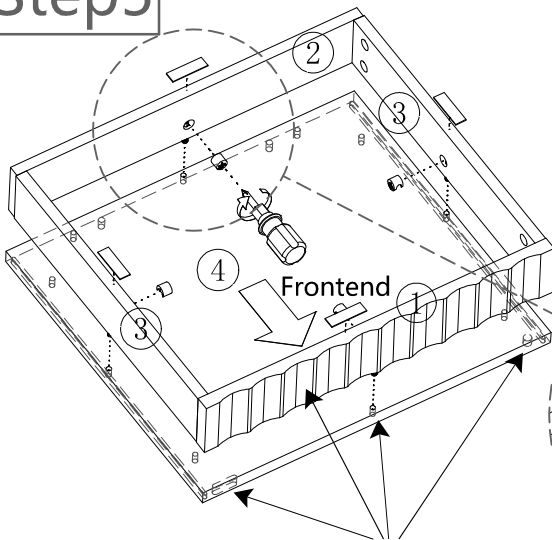
Step4



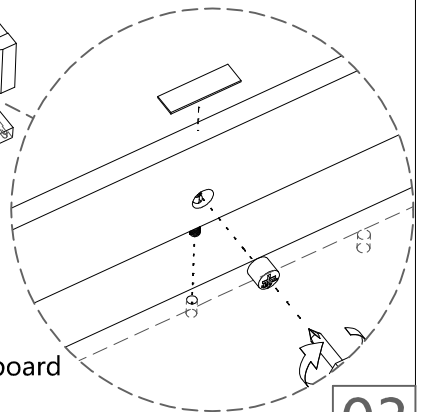
| code | Diagram | count |
|------|---------|-------|
| A | | 4 |



Step5

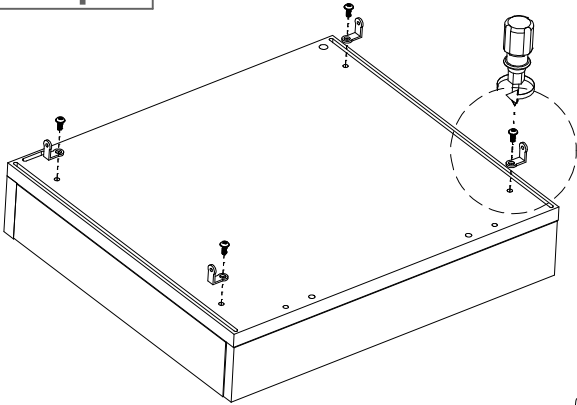


| code | Diagram | count |
|------|---------|-------|
| B | | 4 |
| D | | 4 |



Note the installation direction of the base board

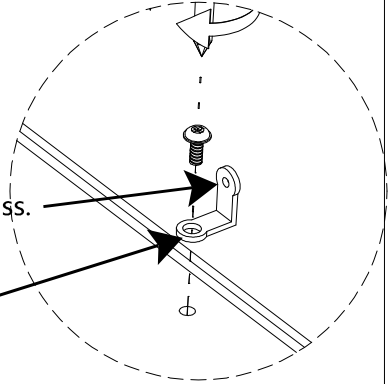
Step6



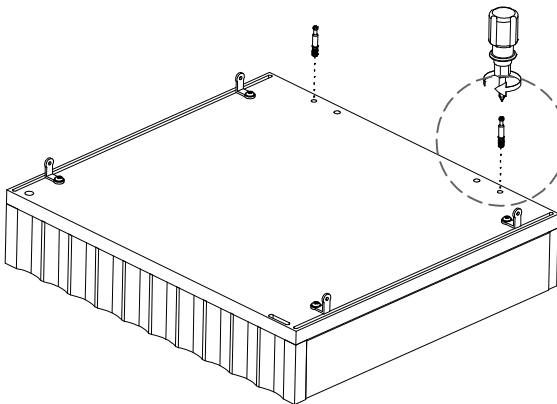
| code | Diagram | count |
|------|---------|-------|
| E | | 4 |
| E | M4X8 | 4 |

Note: The small hole is for fixed-installation glass.

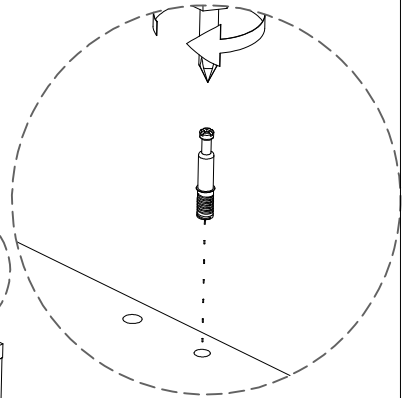
Note: The large hole is for fixed-installation on the wooden board.




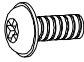

Step7

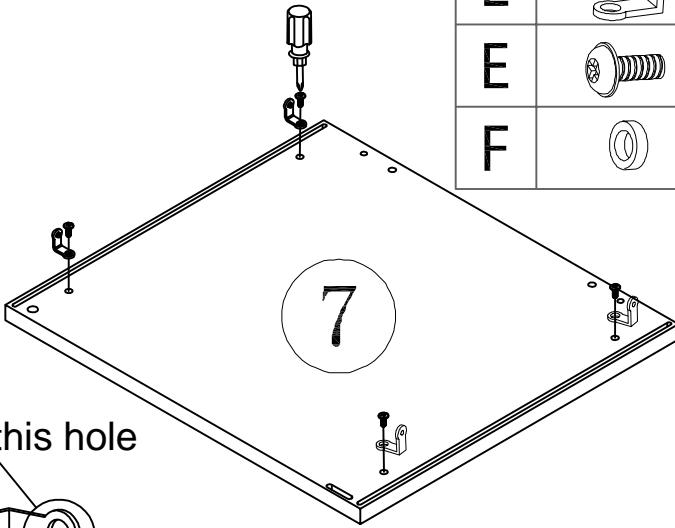


| code | Diagram | count |
|------|---------|-------|
| A | | 2 |

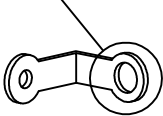


Step8

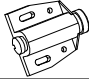

| code | Diagram | count |
|------|---|-------|
| E |  | 4 |
| E |  | 4 |
| F |  | 4 |

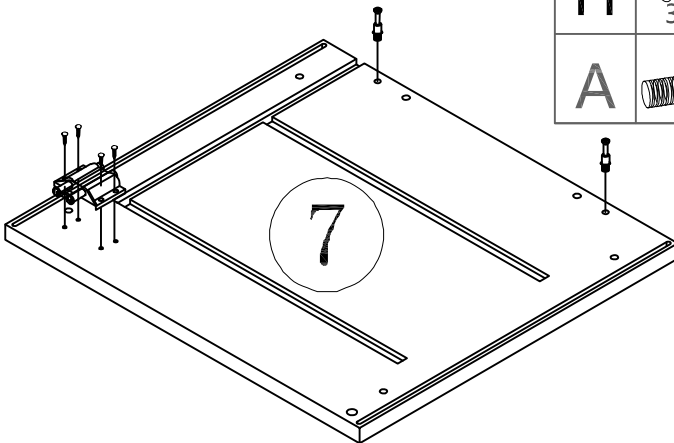


Install this hole

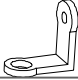
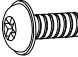


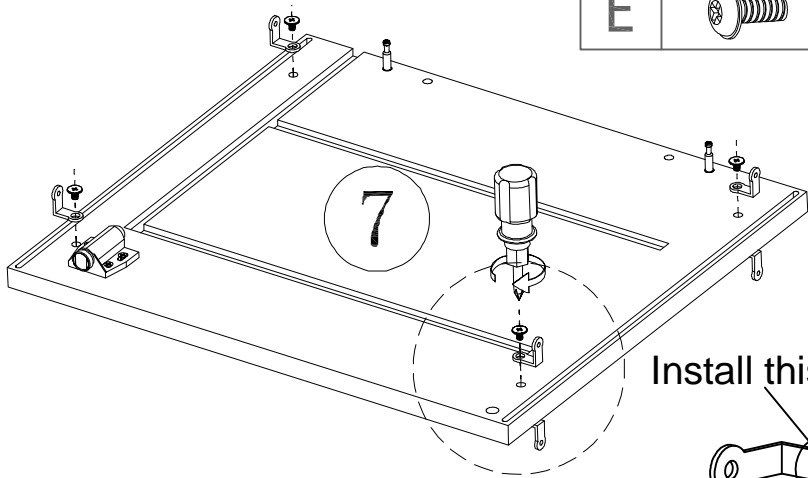
Step9

| code | Diagram | count |
|------|--|-------|
| H |  | 1 |
| H |  3X16mm | 4 |
| A |  | 2 |


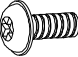



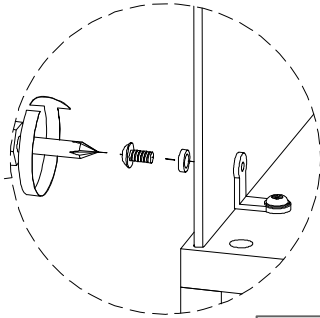
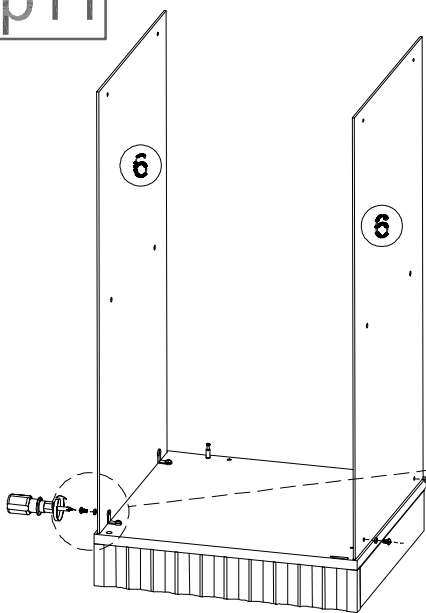
Step 10

| code | Diagram | count |
|------|---|-------|
| E |  | 4 |
| E |  | 4 |



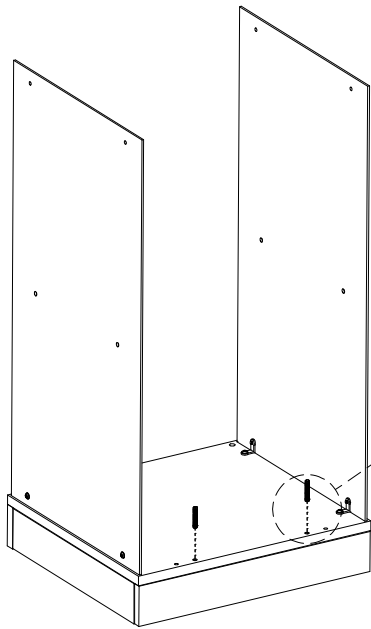
Step 11


| code | Diagram | count |
|------|---|-------|
| E |  | 4 |
| E |  | 4 |
| F |  | 4 |

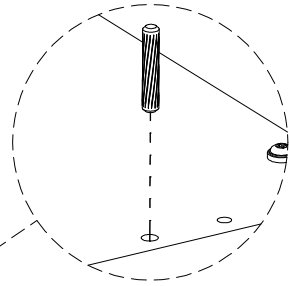


This installation step requires two people to complete.

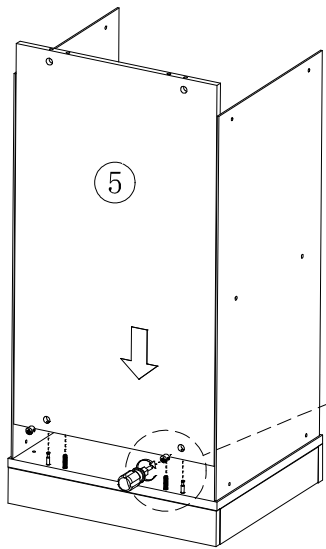
Step 12




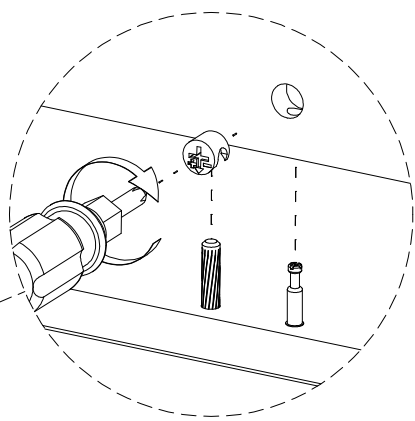
| code | Diagram | count |
|------|---|-------|
| C |  | 2 |




Step 13

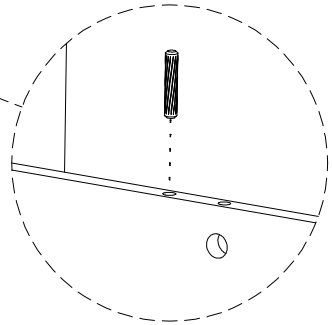
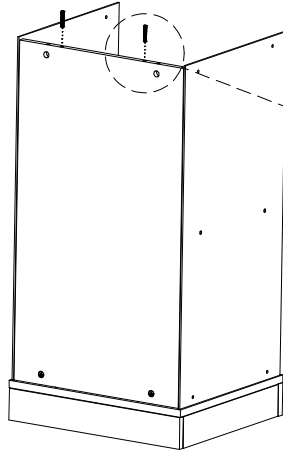


| code | Diagram | count |
|------|---|-------|
| B |  | 2 |





Step 14

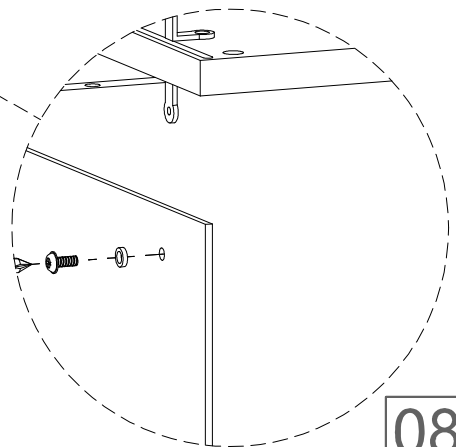
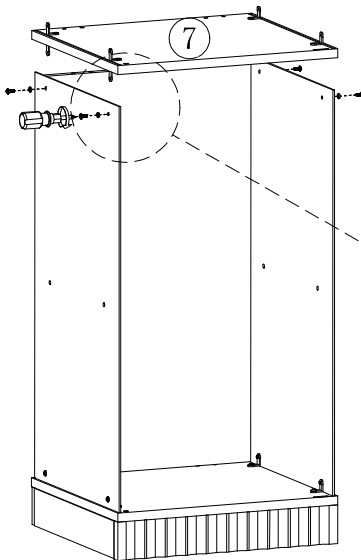
| code | Diagram | count |
|------|---|-------|
| C |  | 2 |



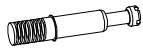

Step 15

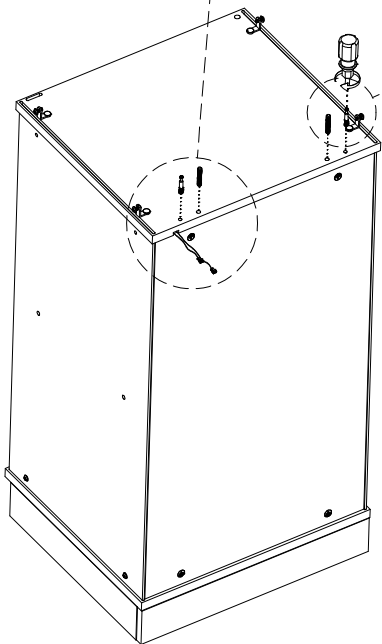
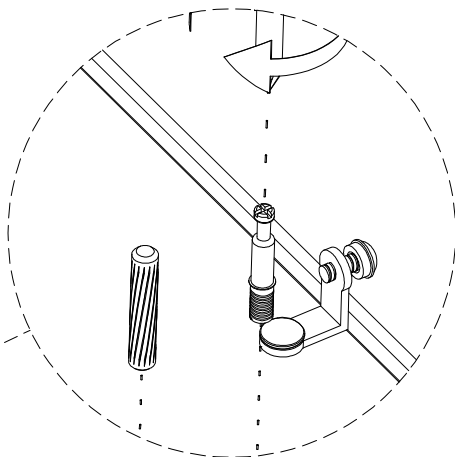
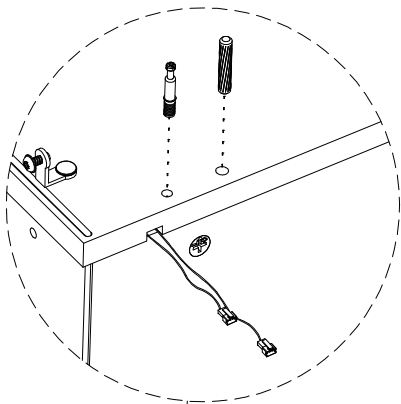
The light strip faces downward.

| code | Diagram | count |
|------|---|-------|
| E |  M4X8mm | 4 |
| F |  | 4 |




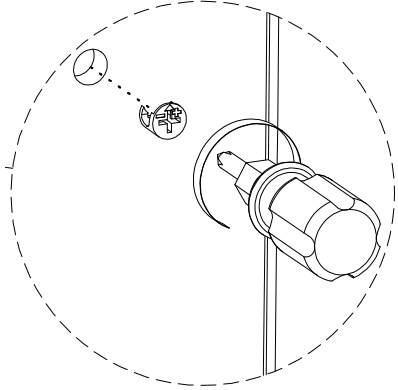
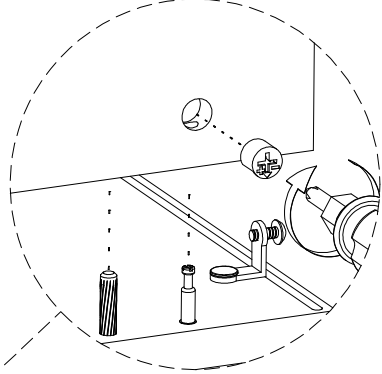
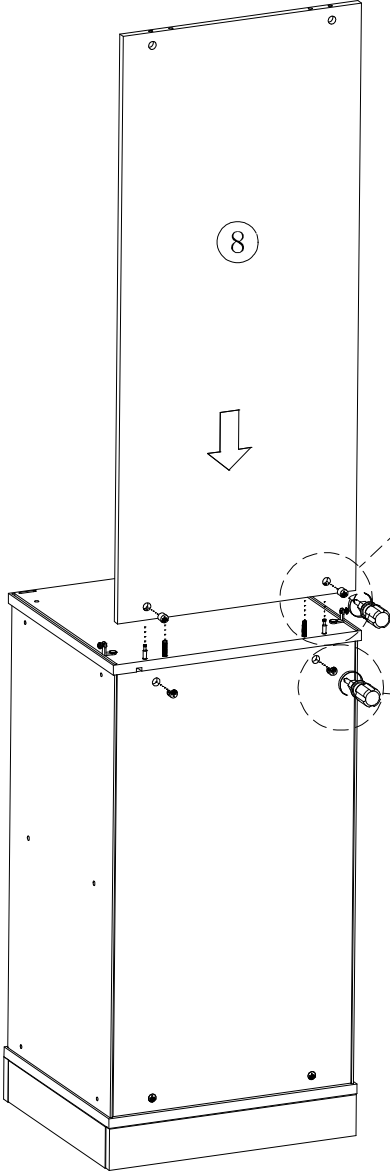
Step 16

| code | Diagram | count |
|------|---|-------|
| A |  | 2 |
| C |  | 2 |

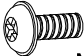



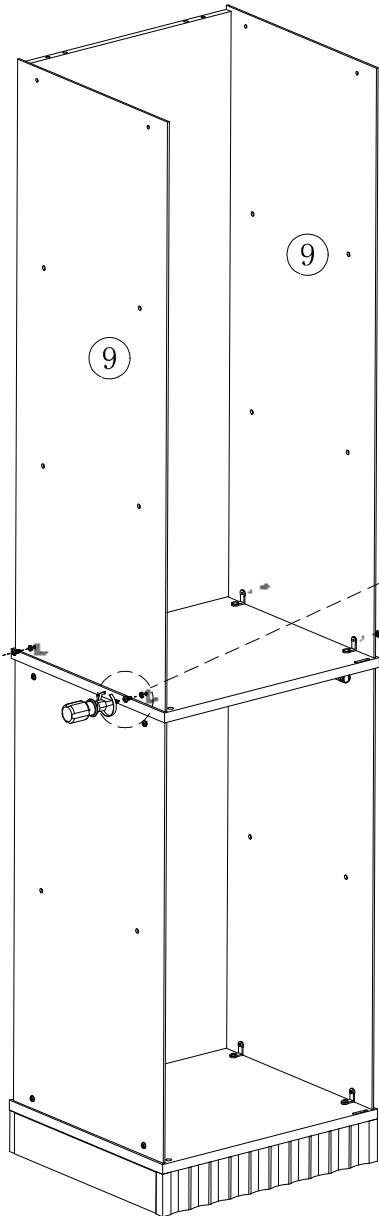
Step 17

| code | Diagram | count |
|------|---|-------|
| B |  | 4 |




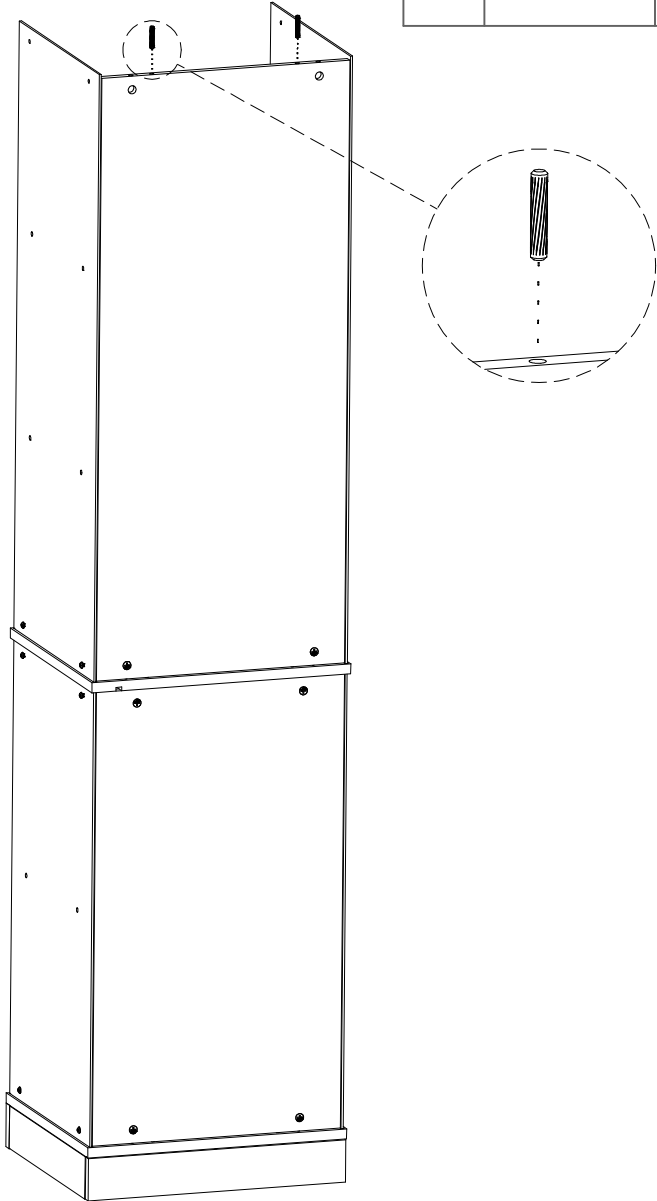
Step 18

| code | Diagram | count |
|------|---|-------|
| E |  M4X8 | 4 |
| F |  | 4 |

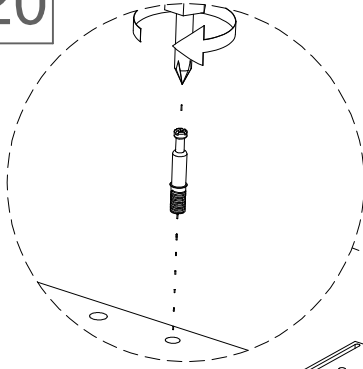


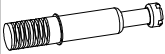
Step 19

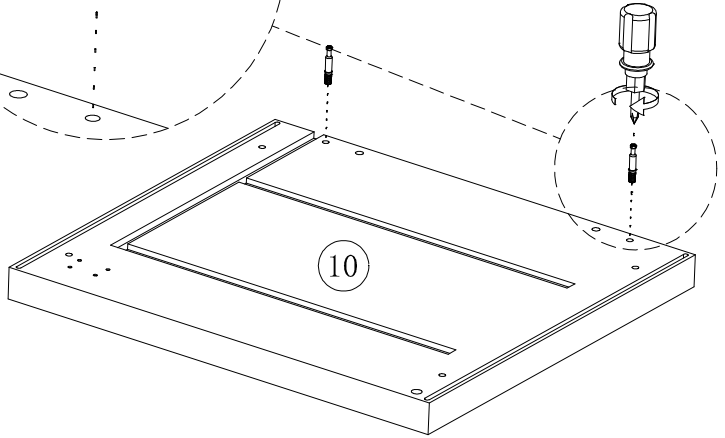
| code | Diagram | count |
|------|---|-------|
| C |  | 2 |



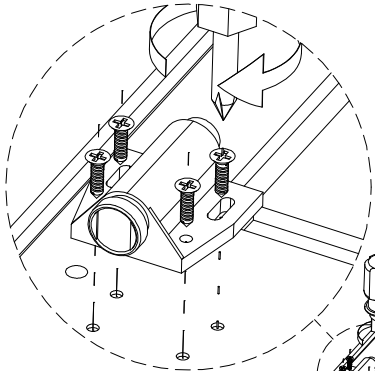
Step20

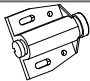



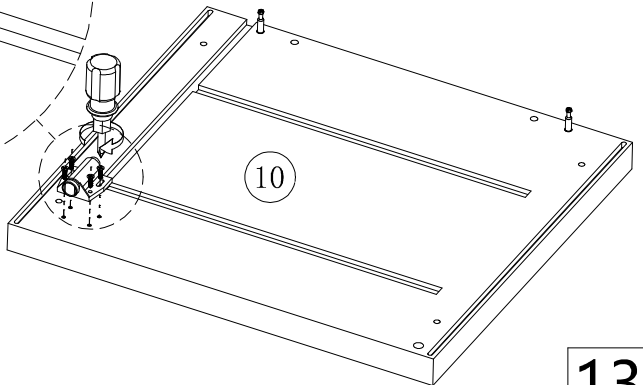
| code | Diagram | count |
|------|---|-------|
| A |  | 2 |



Step21





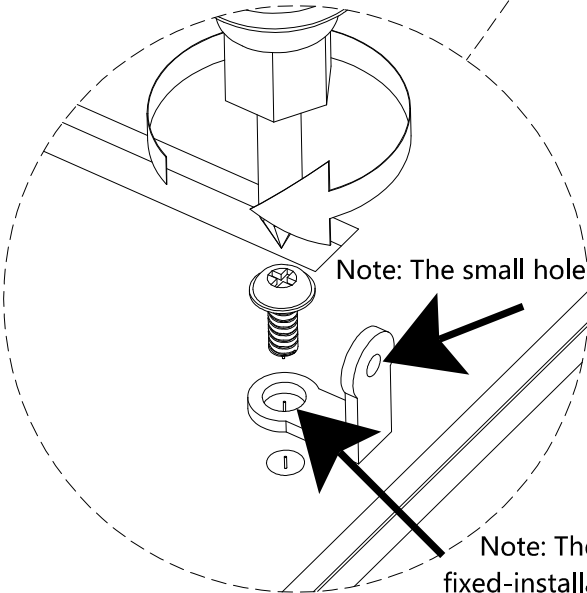
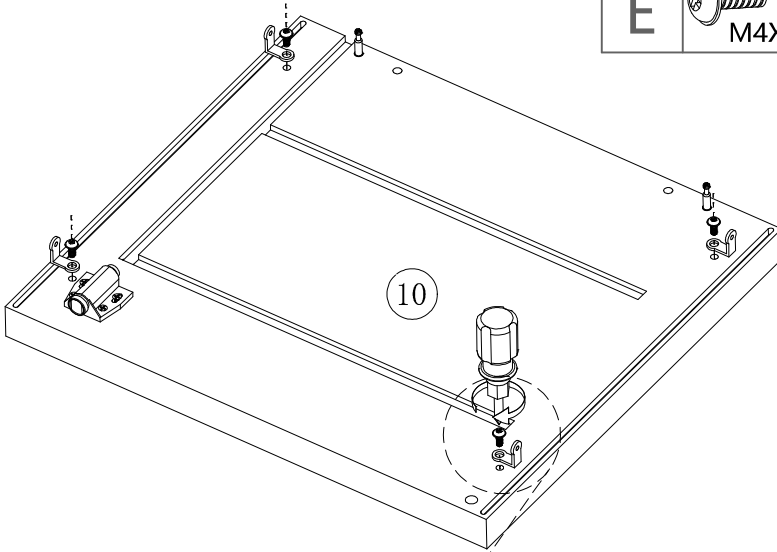
| code | Diagram | count |
|------|---|-------|
| H |  | 1 |
| H |  3X16mm | 4 |



13

Step22




| code | Diagram | count |
|------|---|-------|
| E |  | 4 |
| E |  M4X8mm | 4 |

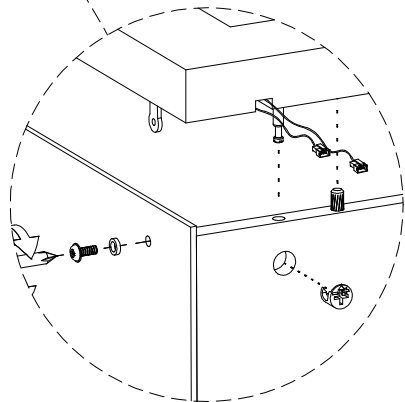
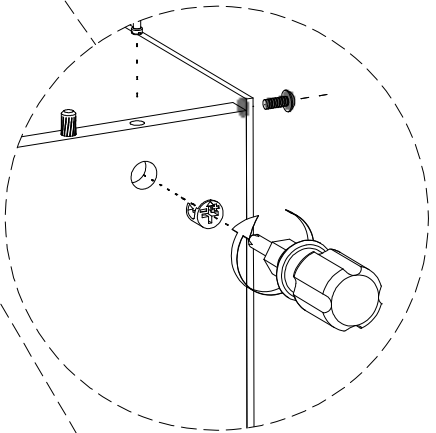
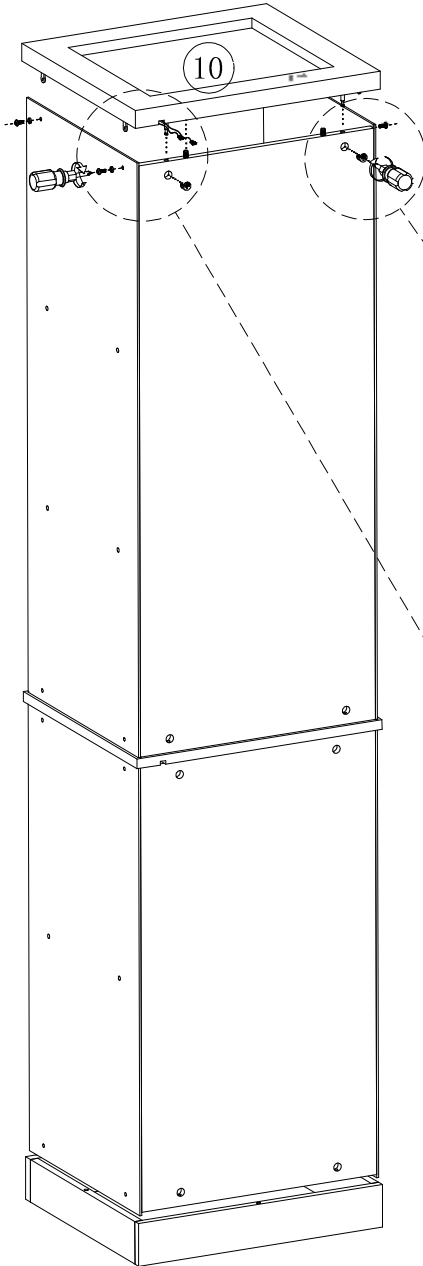


Note: The small hole is for fixed-installation glass.

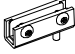
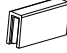
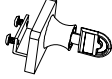
Note: The large hole is for fixed-installation on the wooden board.

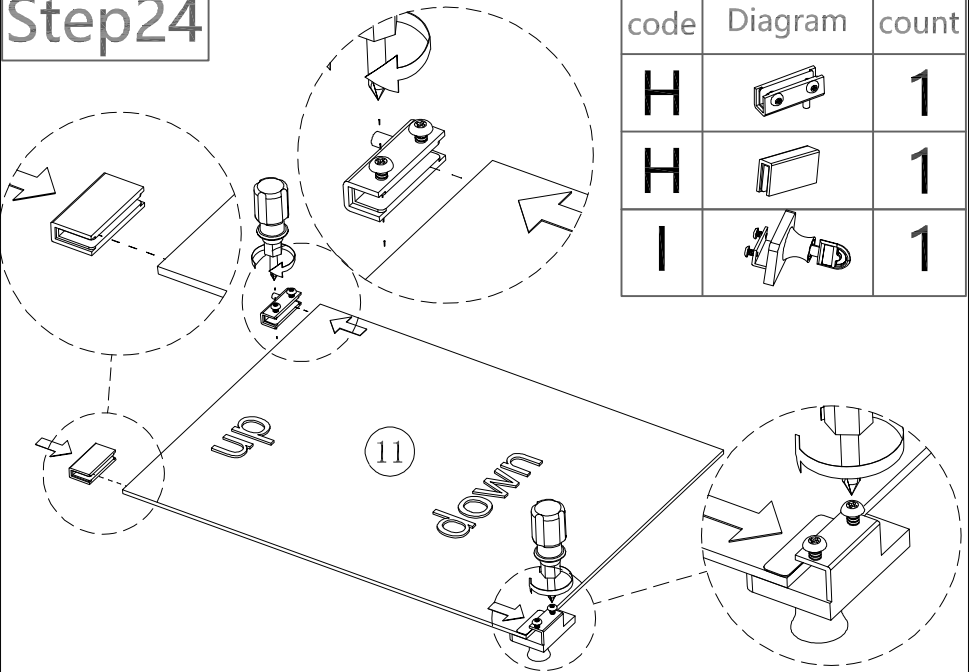
Step23

| code | Diagram | count |
|------|---|-------|
| B |  | 2 |
| E |  M4X8mm | 4 |
| F |  | 4 |

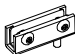
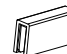
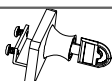


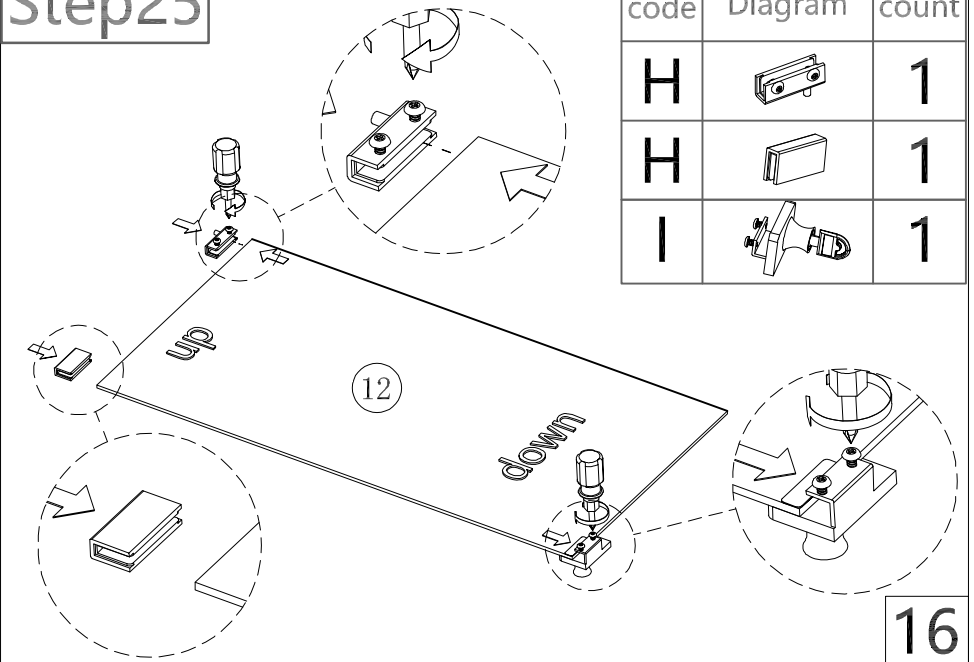
Step24

| code | Diagram | count |
|------|---|-------|
| H |  | 1 |
| H |  | 1 |
| I |  | 1 |




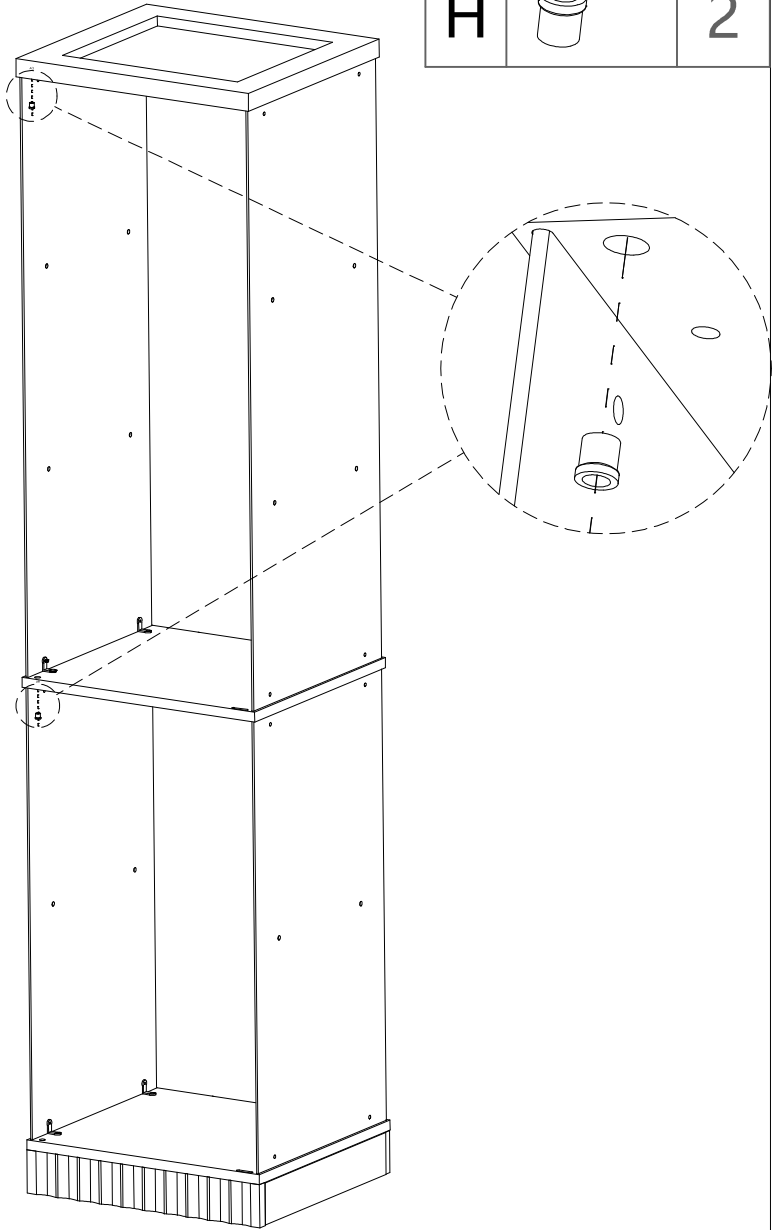
Step25

| code | Diagram | count |
|------|---|-------|
| H |  | 1 |
| H |  | 1 |
| I |  | 1 |


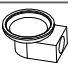



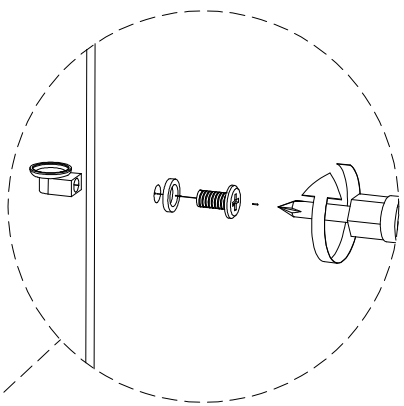
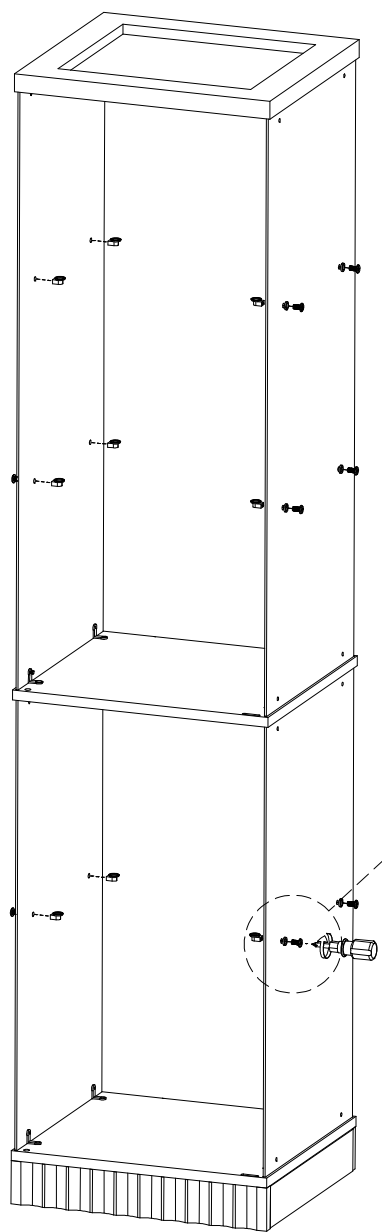
Step26

| code | Diagram | count |
|------|---|-------|
| H |  | 2 |

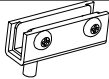



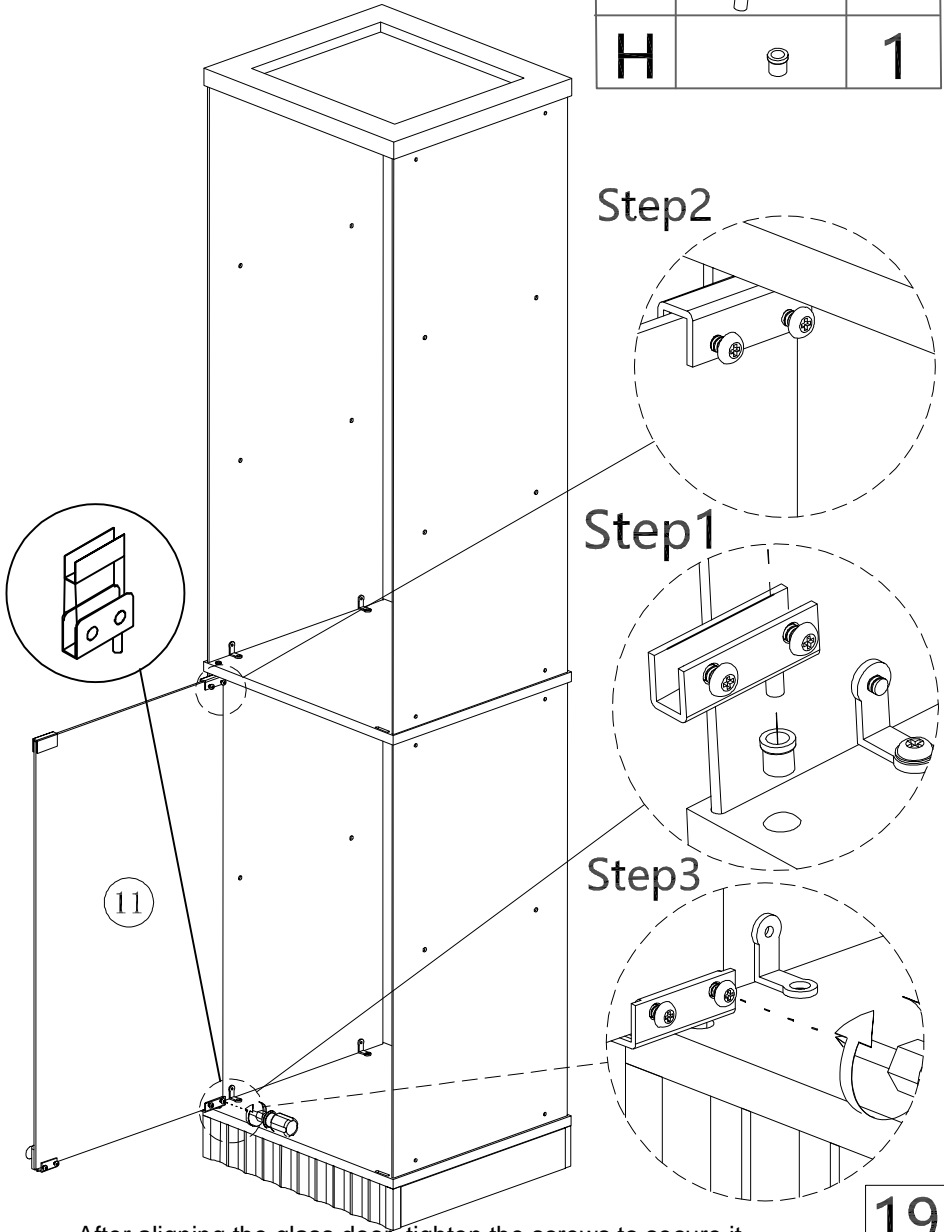
Step27

| code | Diagram | count |
|------|---|-------|
| J |  M6X16 | 12 |
| J |  | 12 |
| J |  | 12 |



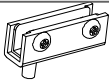

Step 28

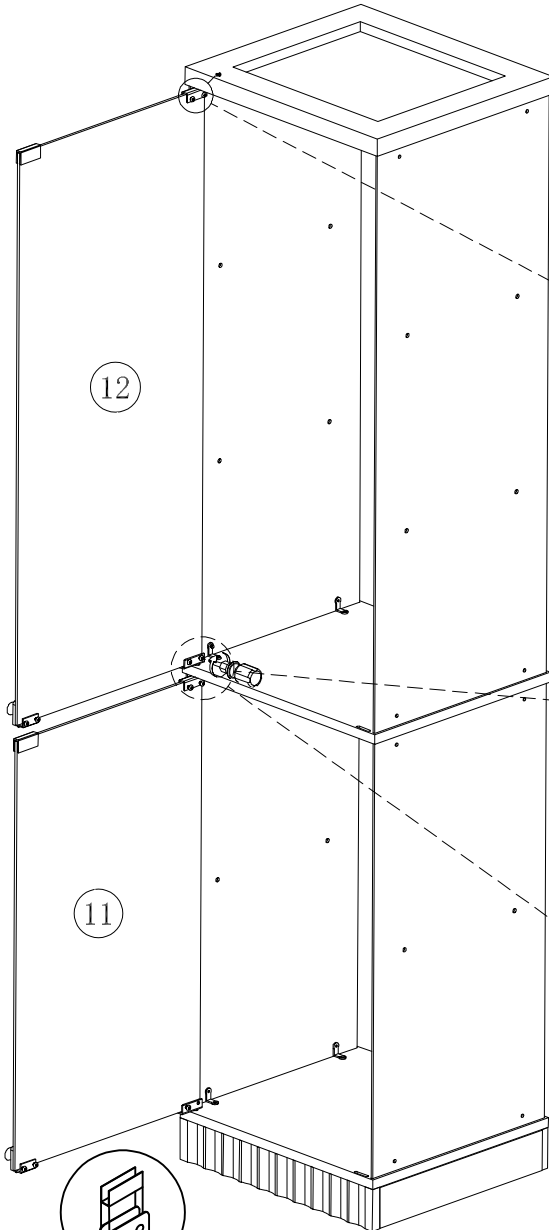
| code | Diagram | count |
|------|---|-------|
| H |  | 1 |
| H |  | 1 |



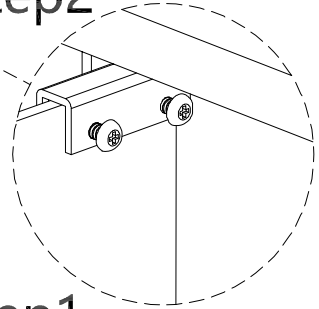
After aligning the glass door, tighten the screws to secure it.

Step 29

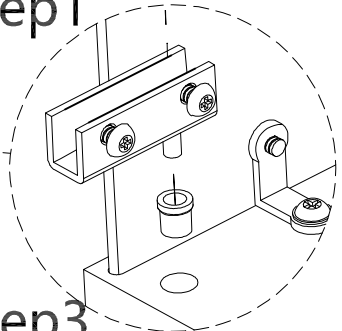
| code | Diagram | count |
|------|---|-------|
| H |  | 1 |
| H |  | 1 |



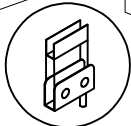
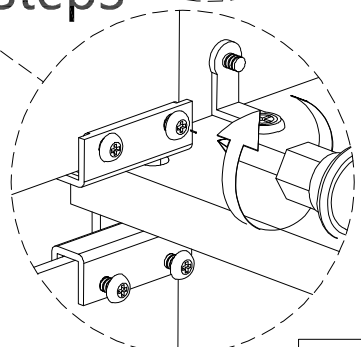
Step 2



Step 1

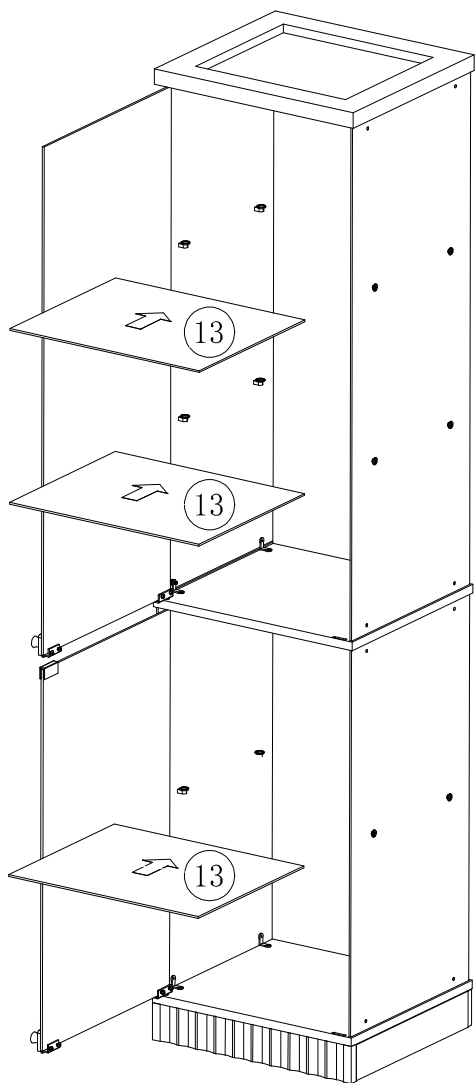


Step 3

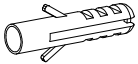


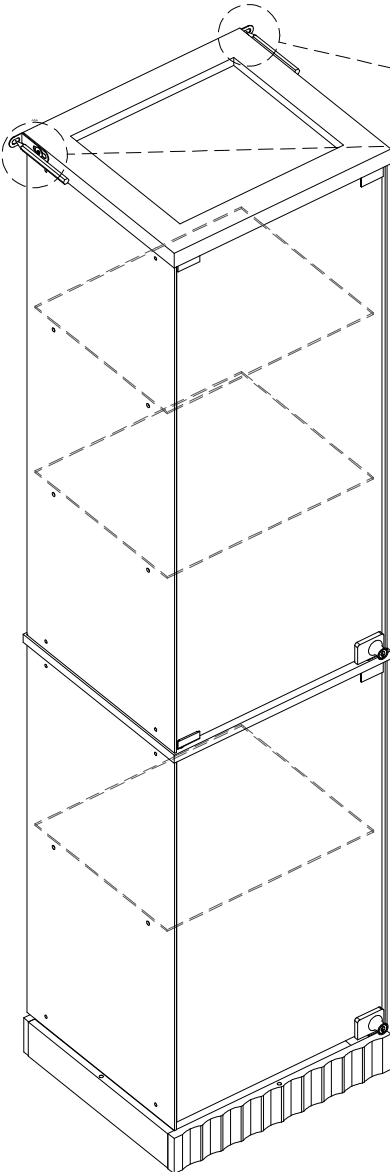
After aligning the glass door, tighten the screws to secure it.

Step 30

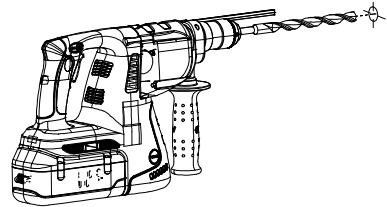


Step33

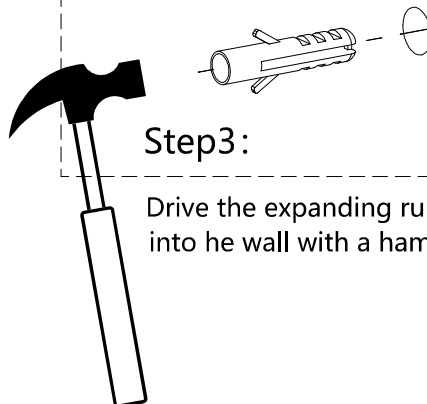
| code | Diagram | count |
|------|---|-------|
| O |  | 2 |



Step1:
Mark the drilling holes with a marker pen





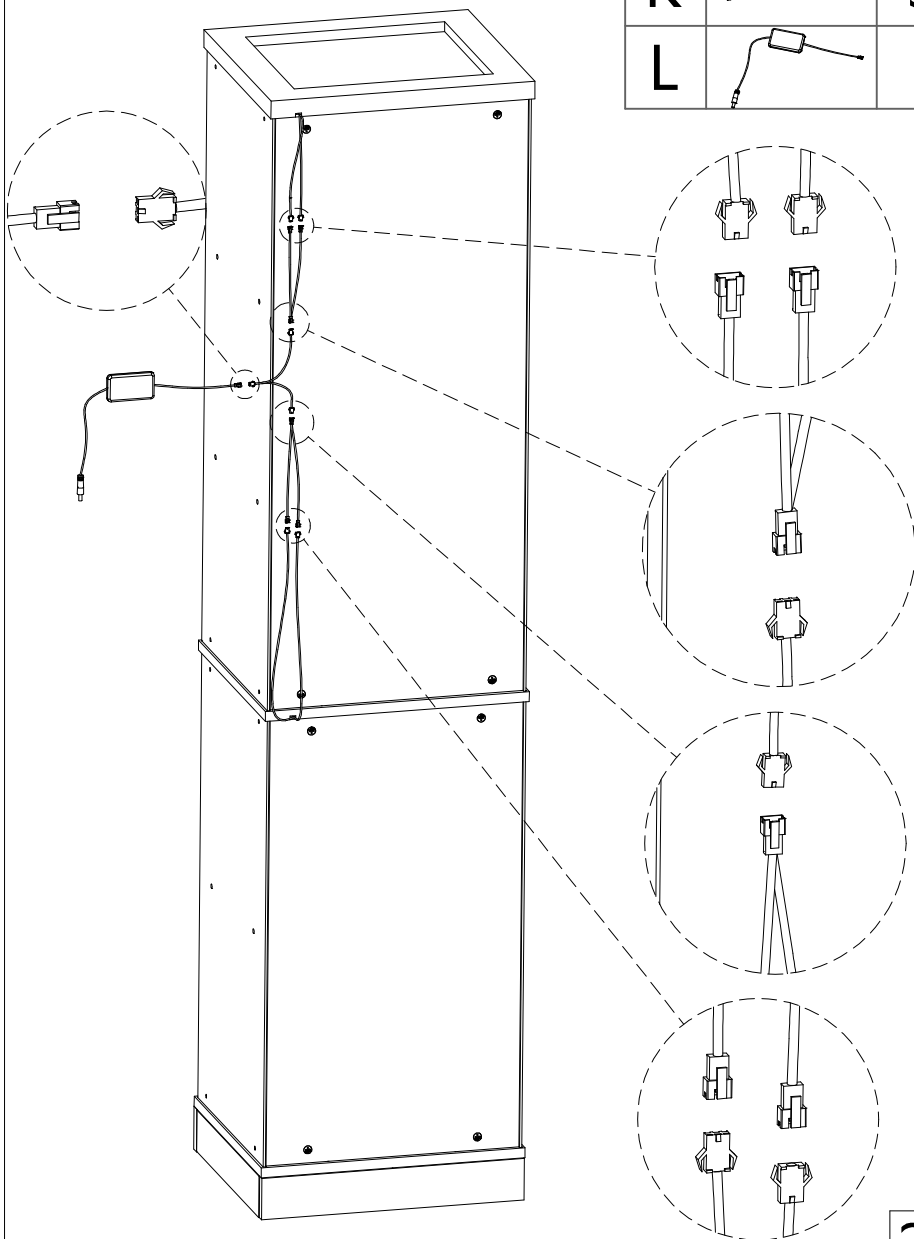
Step2:
Drill holes in the wall with an electric drill.






Step3:
Drive the expanding rubber tube into the wall with a hammer.

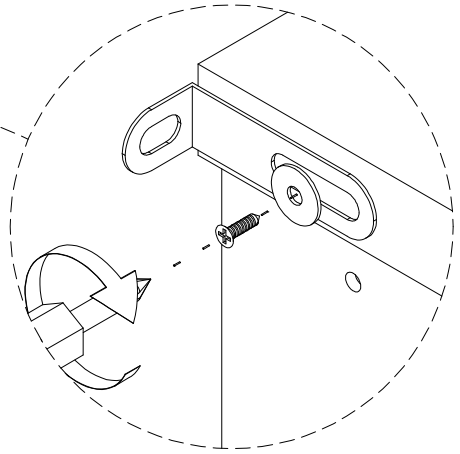
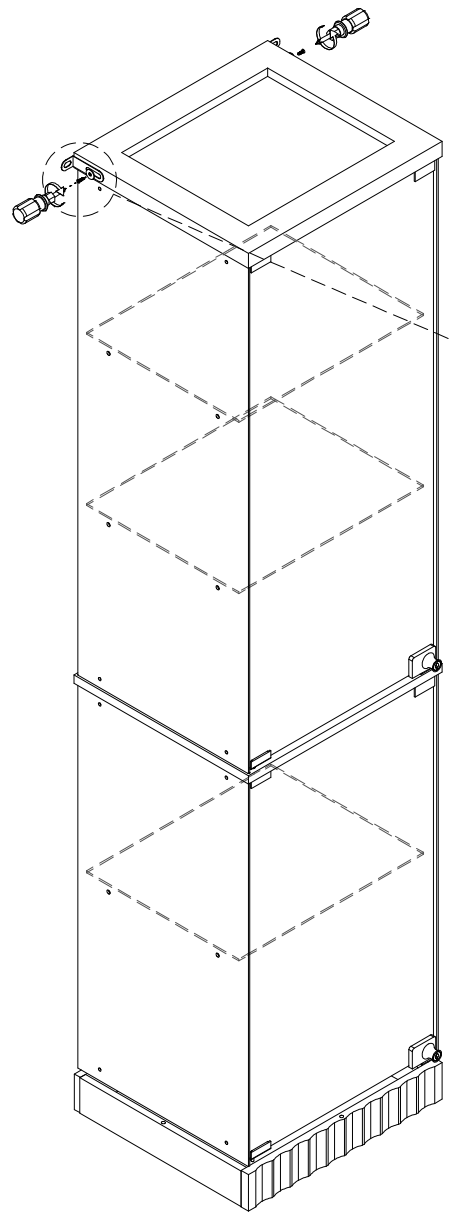
Step31

| code | Diagram | count |
|------|---|-------|
| K |  | 3 |
| L |  | 1 |





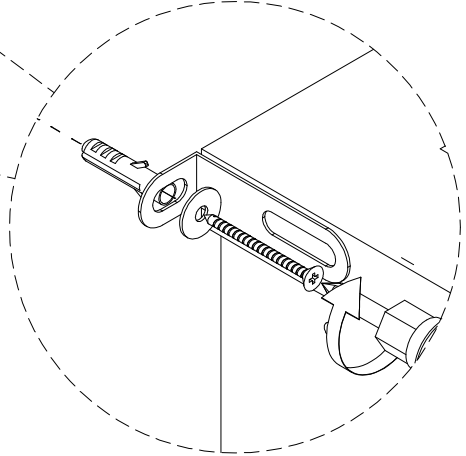
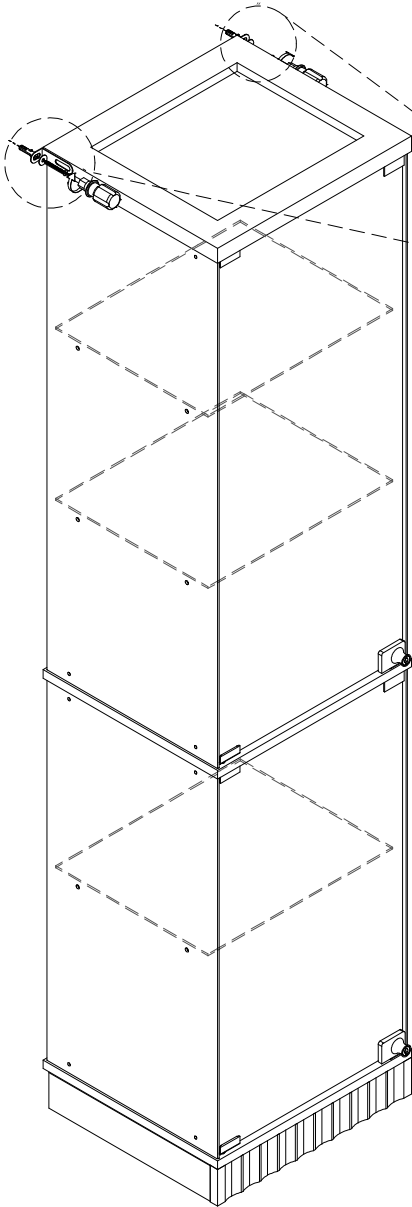
Step32

| code | Diagram | count |
|------|---|-------|
| O |  | 2 |
| O |  3.5X14mm | 2 |
| O |  | 2 |

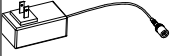


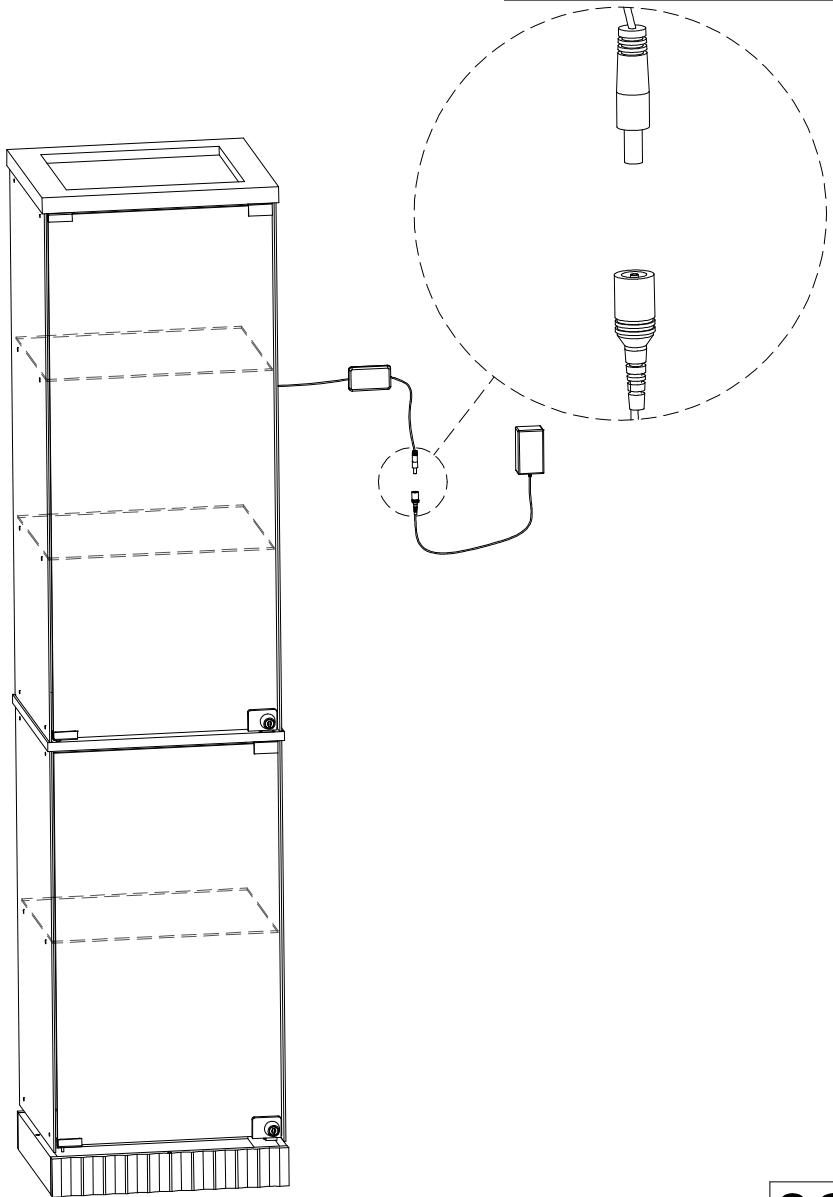
Step34

| code | Diagram | count |
|------|---|-------|
| O |  4x45mm | 2 |
| O |  | 2 |

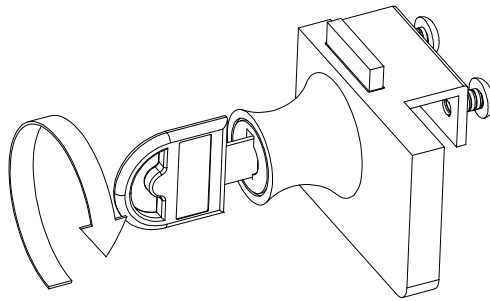


Step35

| code | Diagram | count |
|------|---|-------|
| M |  | 1 |

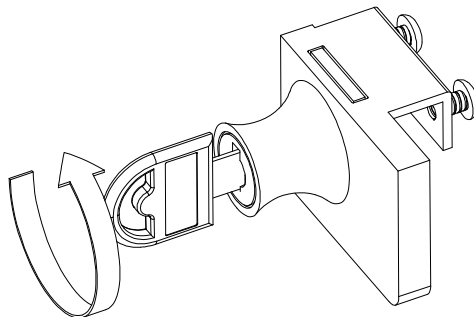


Locking Operation

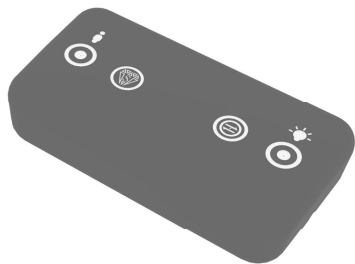


Turn the key clockwise →
The lock core extends →
Lock the door.

Unlocking Operation:



Turn the key counterclockwise →
The lock core retracts to its original position →
Open the door



User's Guide

Thank you for purchasing this product.

To use this product, please plug it into a 12V DC power supply.

Please use if the product works normally after connecting to power.

Introduction

The box is an intelligent controller. With 4 touch buttons, it can turn ON/OFF the light and turn ON/OFF the induction function, change light colors, and adjust the light luminance.

Operation

This touch button is the master switch of the smart box,



which can turn off all functions of the box and control the light strips on/off operation.

The operation that can be turned on and off with just a light tap. Press and hold to adjust the brightness. Upon first power-up, the default light will be set to white.



This touch button is used to turn on/off the induction function.

A. touch this button once to turn on the induction function (indicator light on).

After the person leaves or remains stationary for more than 30 seconds, the light strip goes out; people and objects within a range of 1 meters move will light up the light strip.

B. Long press this button for 0.5 seconds to turn off the human body induction function (the indicator light goes out).

At this point, keep the light strip as it was before turning off and no longer be affected by human and object activities.

By default, induction function is enabled when powered on.



This touch button is the Dynamic Phantom Color Mode, which includes 5 magical lighting effects.

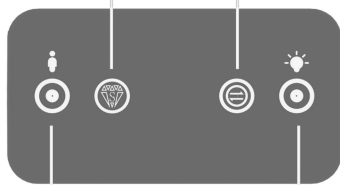
Simply tap to cycle through the options. (Attention: This mode cannot adjust the brightness)



This touch button controls the single-color switching function of the light strips, offering 7 different colors to choose from.

Phantom Color Mode Button

7-Color Mode Button



Induction Button

Master Switch Button



ATTENTION PLEASE

1. If there is no touch response suddenly, Re-plug the power to reset the touch static electricity.
2. If you have any questions when installing, please feel free to contact us. Thank you.