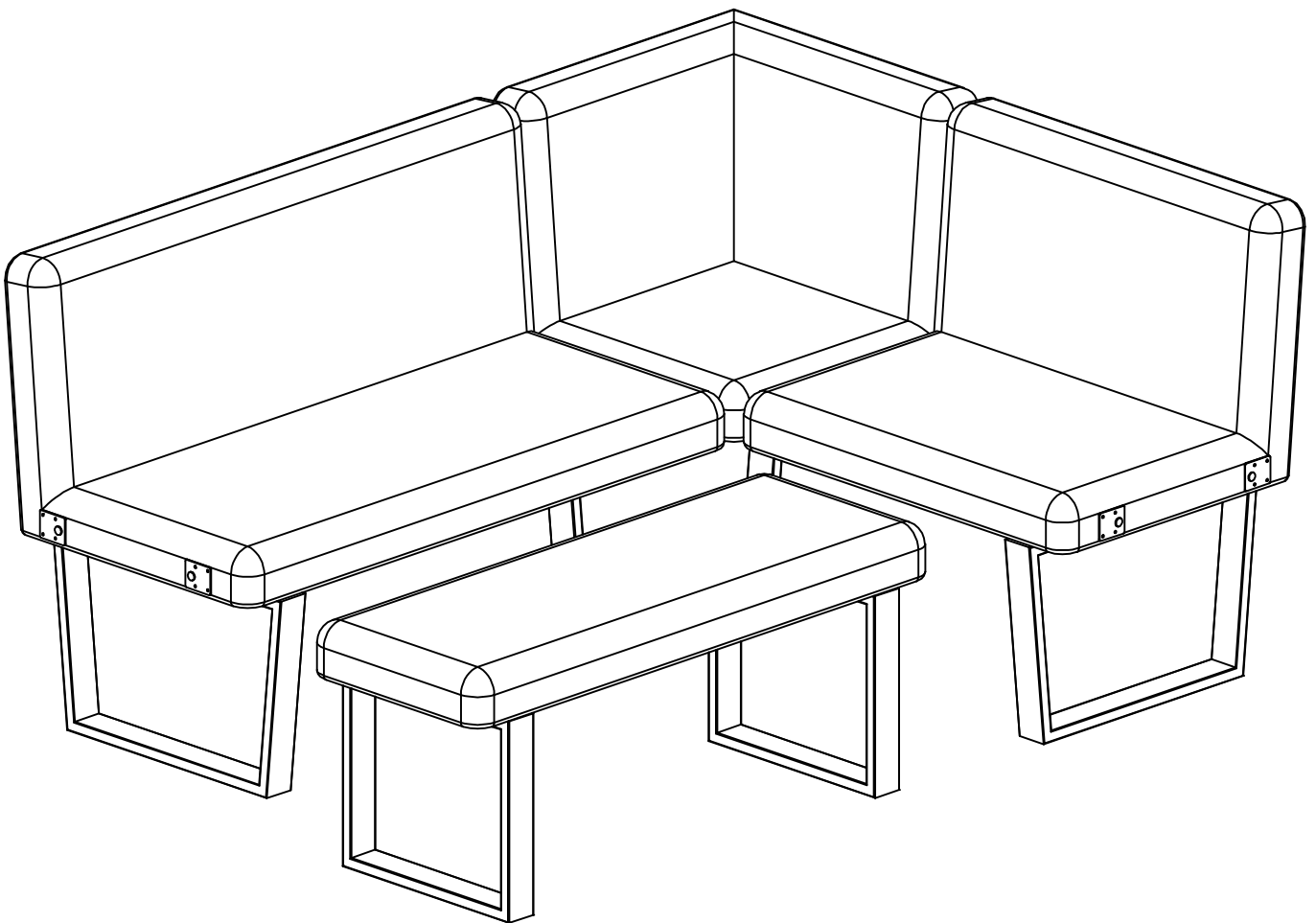
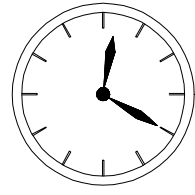
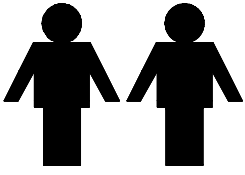
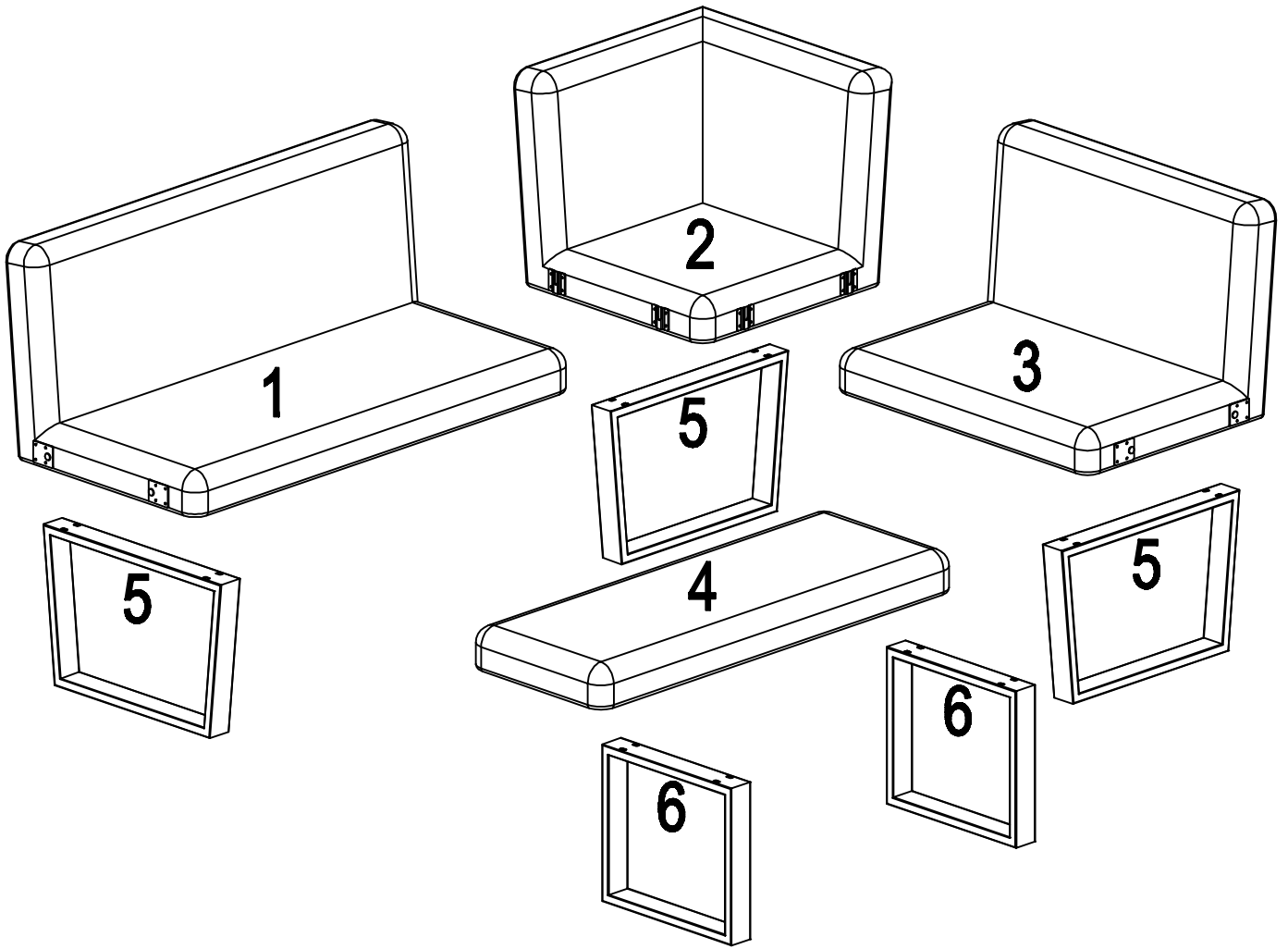

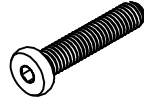



ASSEMBLY INSTRUCTIONS

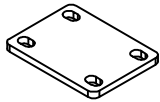


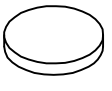


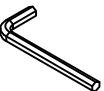
+Spare X 2	
A	x 22
	
M8*40mm	

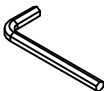
+Spare X 2	
B	x 18
	
M6*20mm	

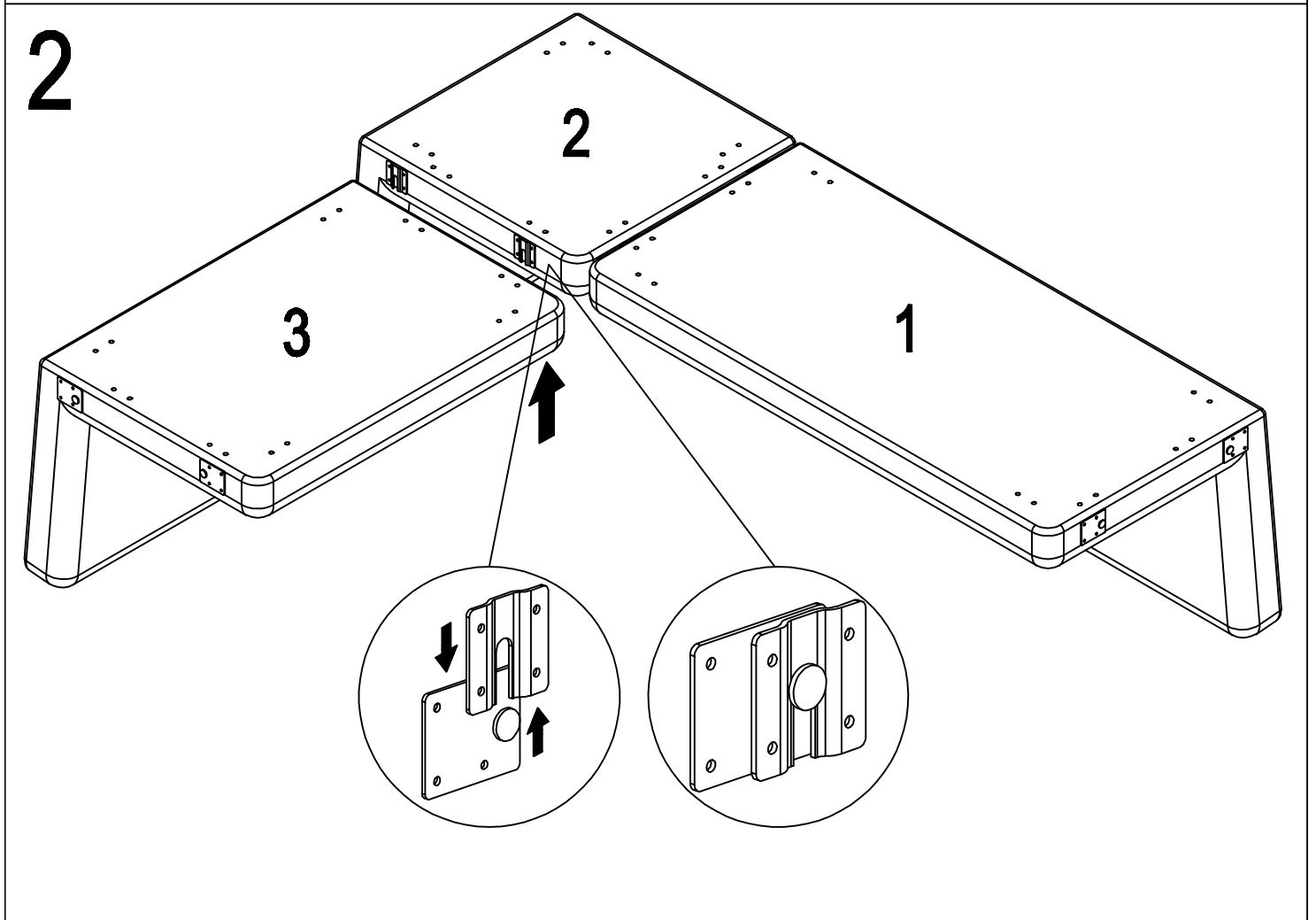
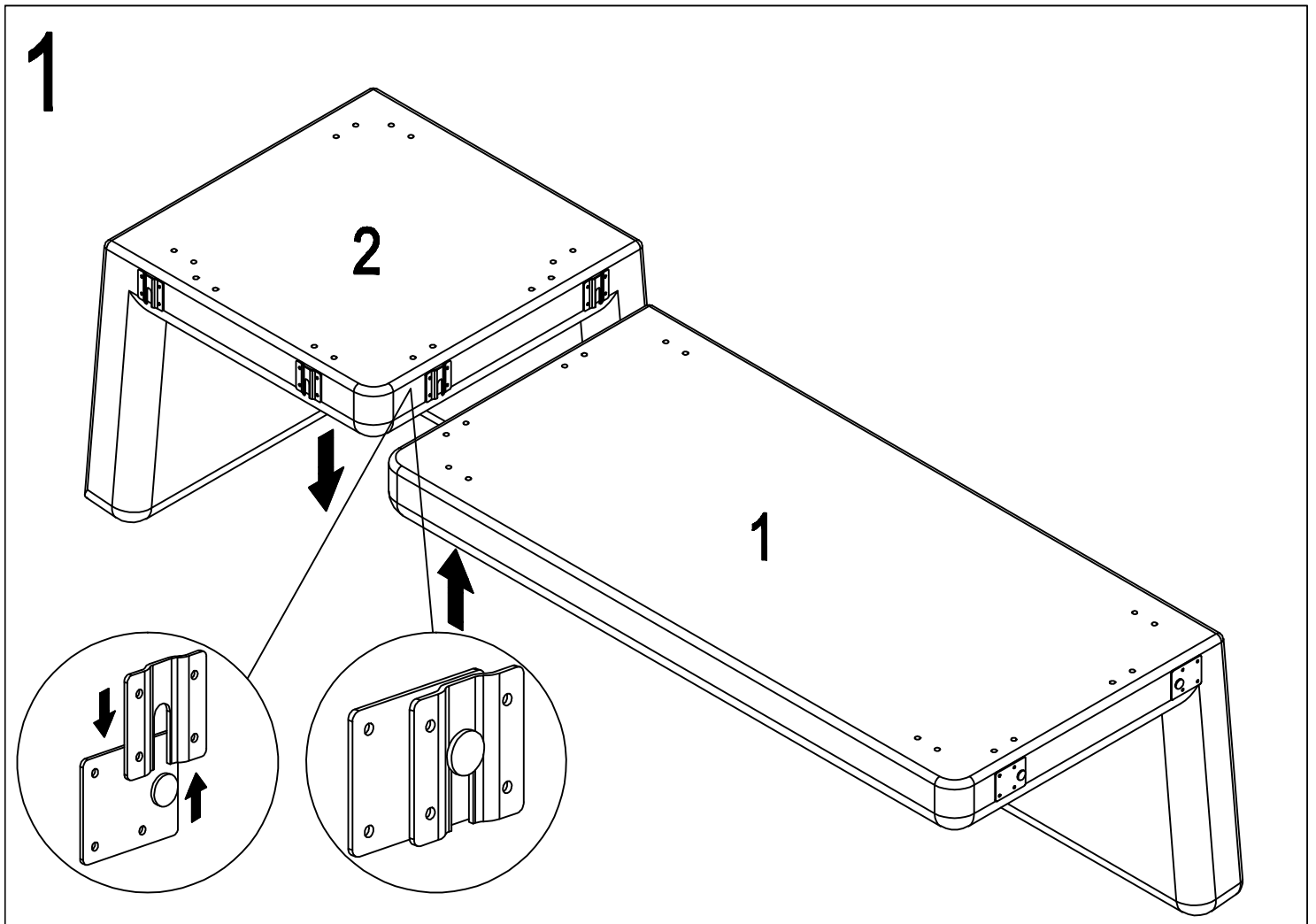
+Spare X 2	
C	x 38
	
Ø20*1.5mm	

+Spare X 1	
D	x 4
	
80*60*5mm	

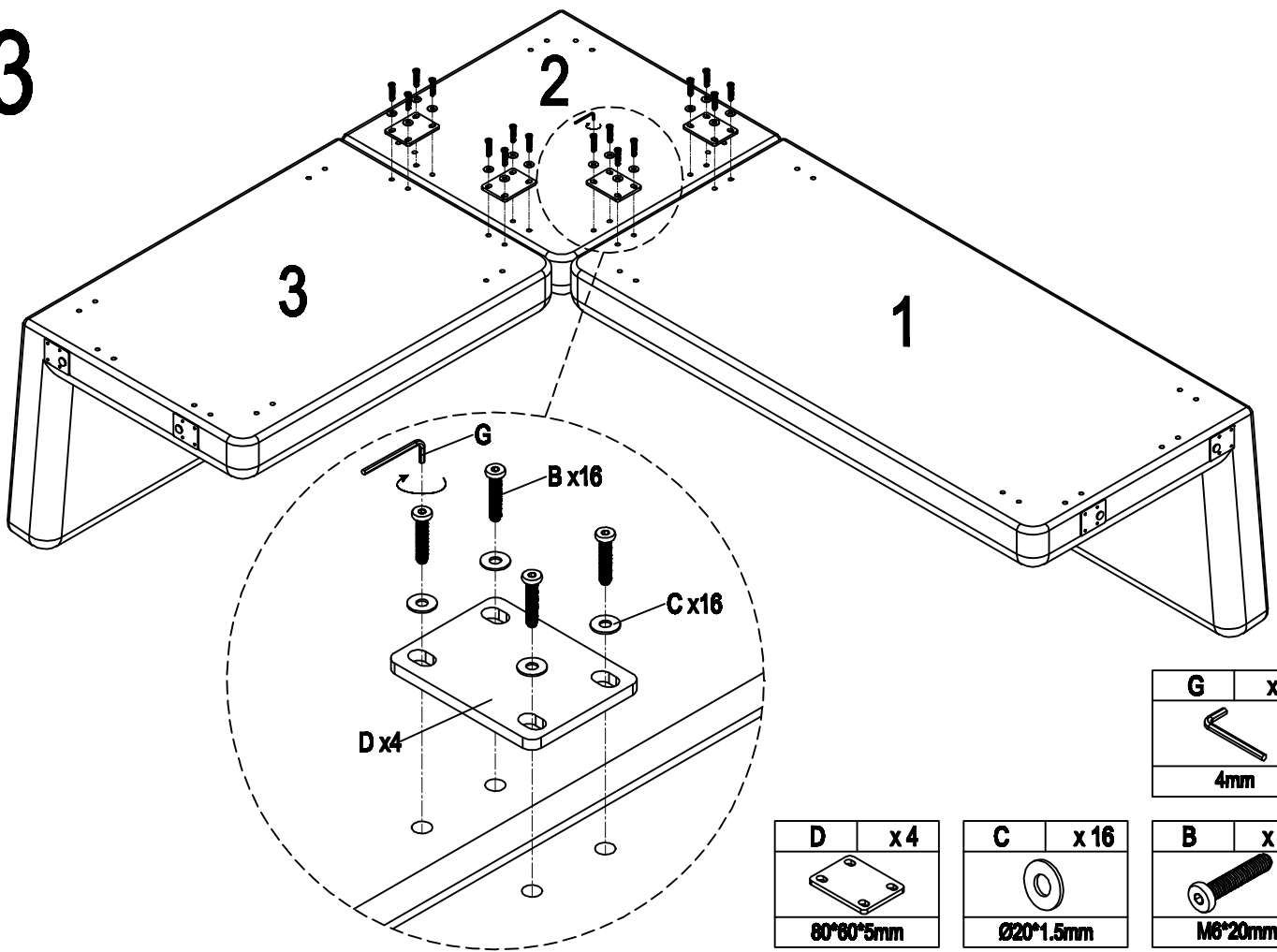
+Spare X 1	
E	x 5
	
Ø30*5mm	


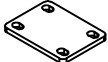


F	x 1
	
5mm	

G	x 1
	
4mm	

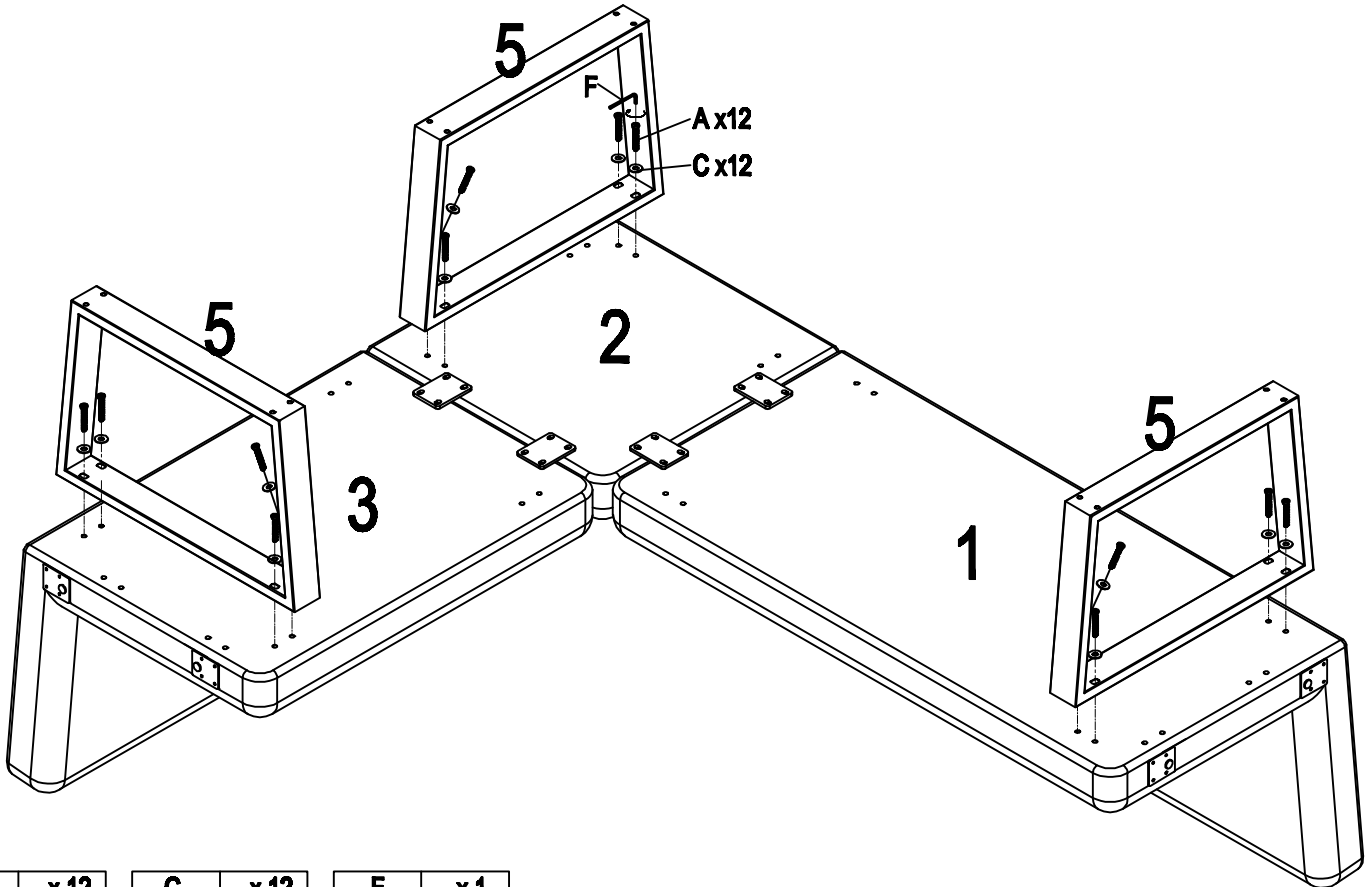





3



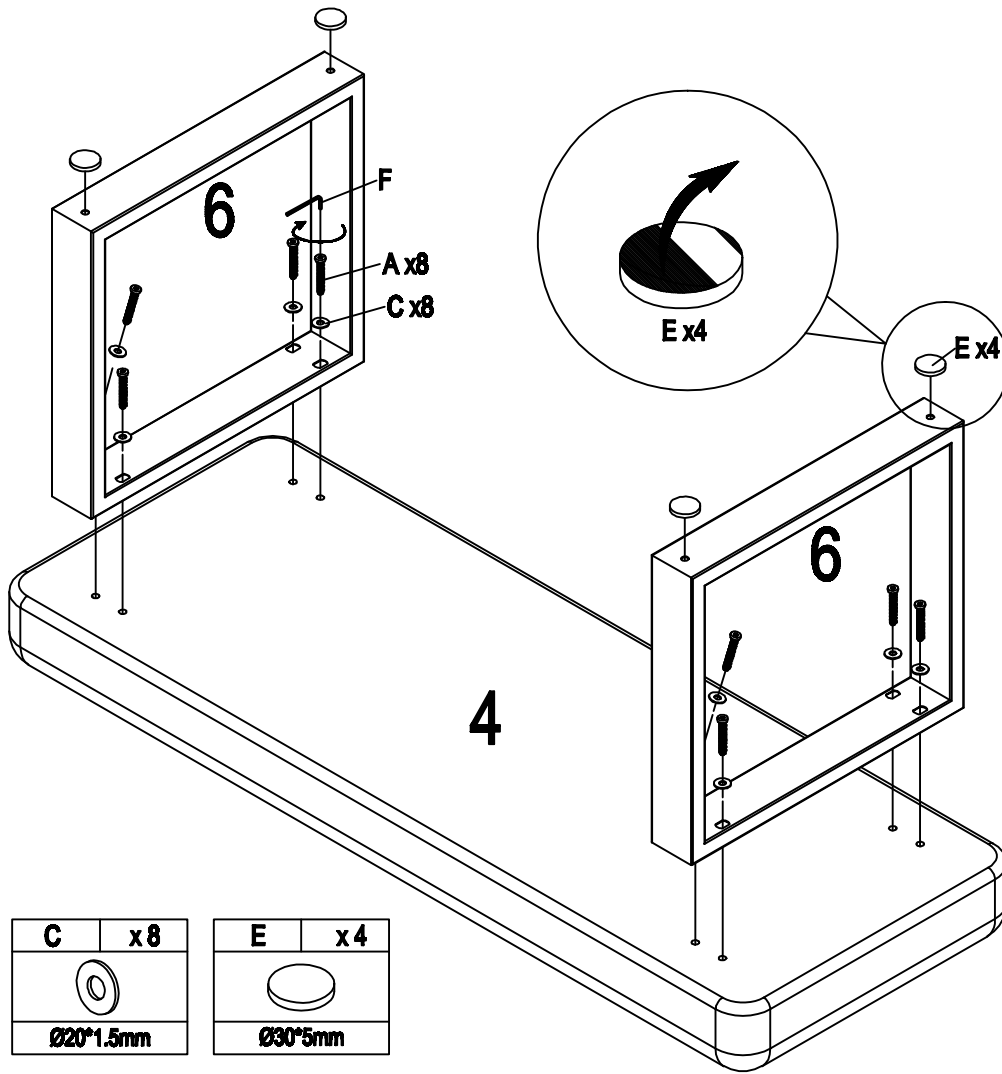
G	x 1
	
4mm	
D	x 4
	
80*60*5mm	
C	x 16
	
Ø20*1.5mm	
B	x 16
	
M6*20mm	


4





A	x 12
	
M6*40mm	
C	x 12
	
Ø20*1.5mm	
F	x 1
	
5mm	


5



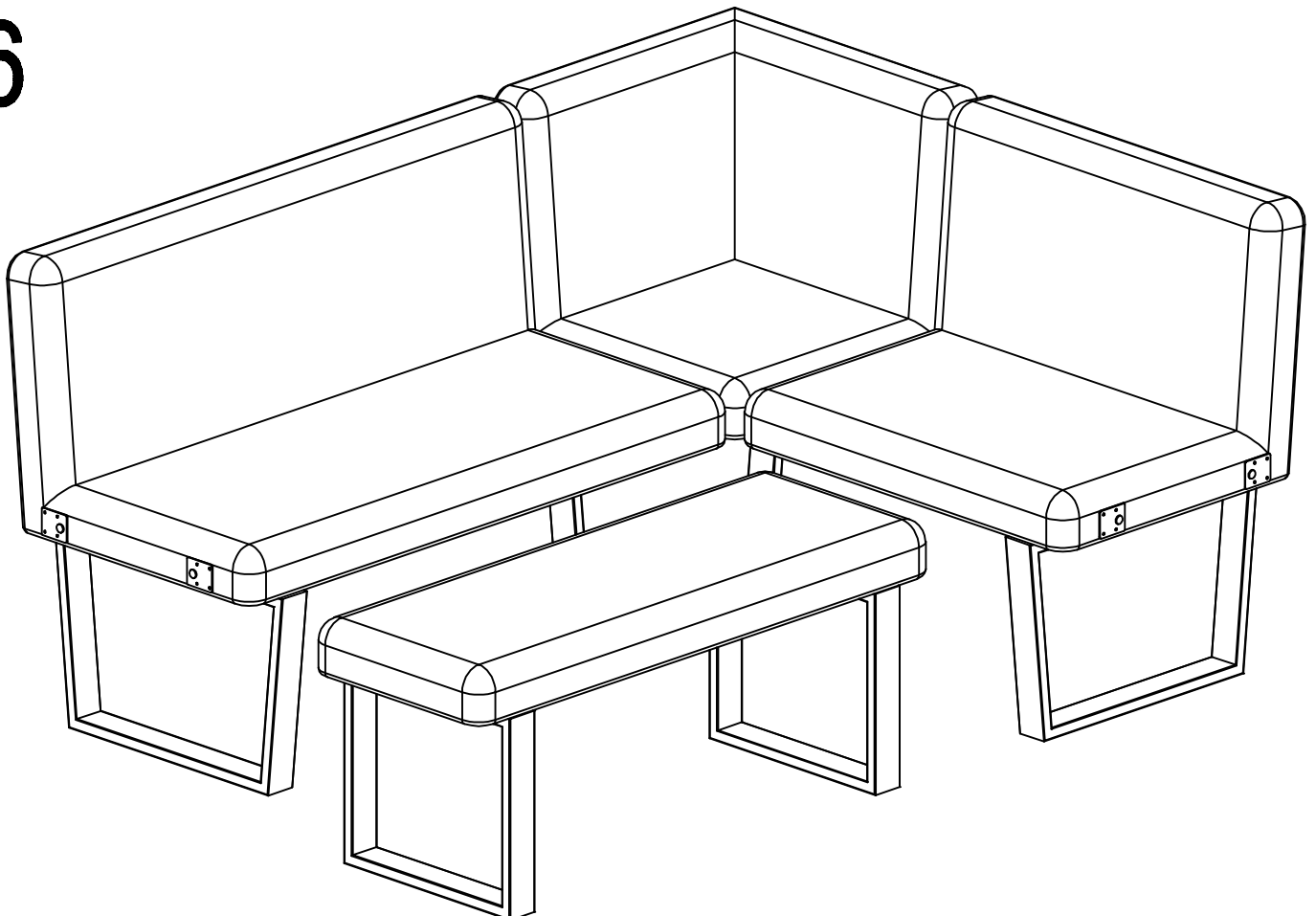
F	x1
	
5mm	

A	x8
	
M8*40mm	

C	x8
	
Ø20*1.5mm	

E	x4
	
Ø30*5mm	

6



7

