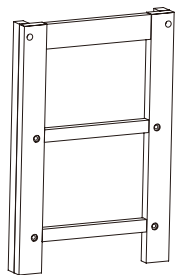
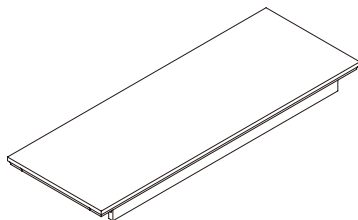


Reminder: Do not tighten the screws too tightly during installation. After the product is installed, adjust the level and tighten the screws one by one to avoid uneven feet.

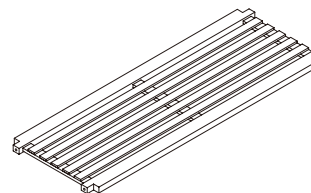
Parts list



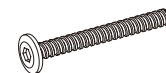
Bracket A * 2



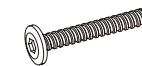
panel B * 1



Laminate C * 2

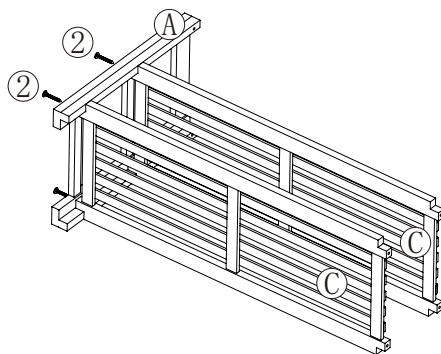


① * 4 (Long hexagon socket screw)



② * 8 (Short hexagon socket screws)

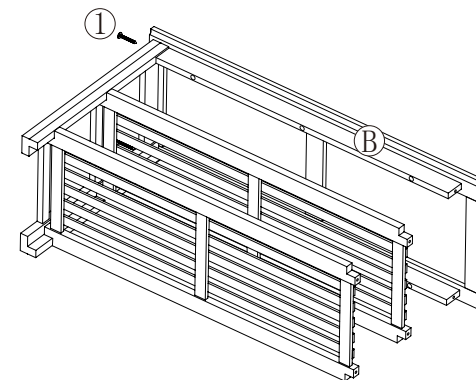
①



Installation diagram

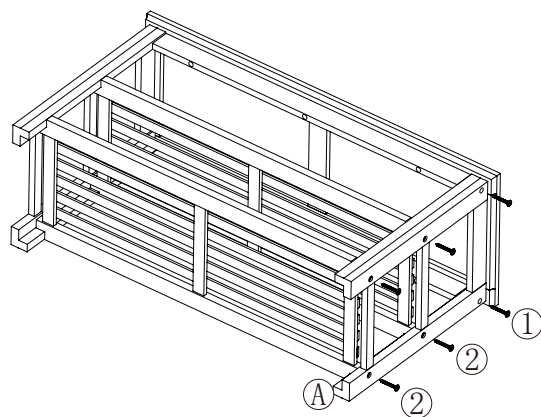
Use No. 2 screws to install the shelf C on the bracket A

②



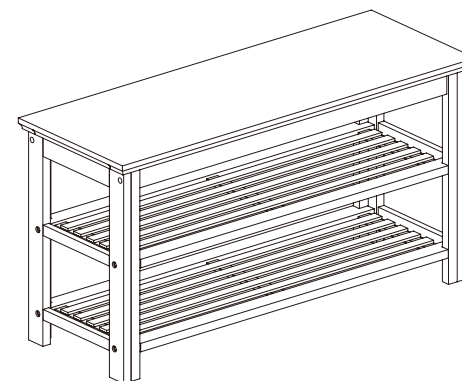
Install panel B on bracket A with No. 1 screws

③



Install another bracket A with No. 1 and No. 2 screws

④



The installation is complete

Note: Only allow adults to install, keep children away