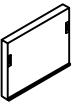
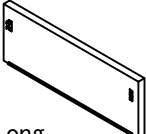
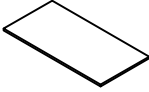


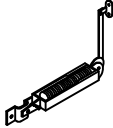


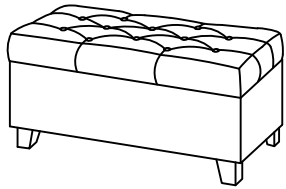
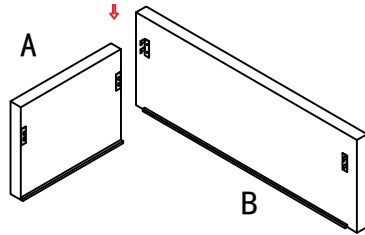


A	B	C	D	E	F	G	G
 Short	 Long	 bottom	 Top	 Leg	 Lift hinge	 Screw $\phi 2-3/4$	 Screw $\phi 3/4$
2PCS	2PCS	1PC	1PC	4PCS	2PCS	12PCS	14PCS

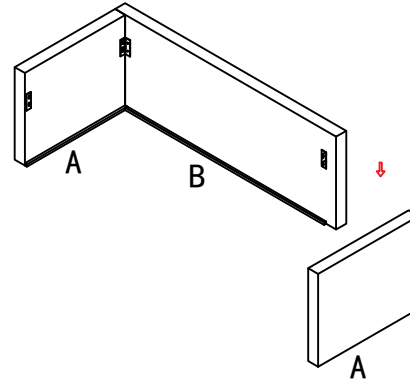
Complete



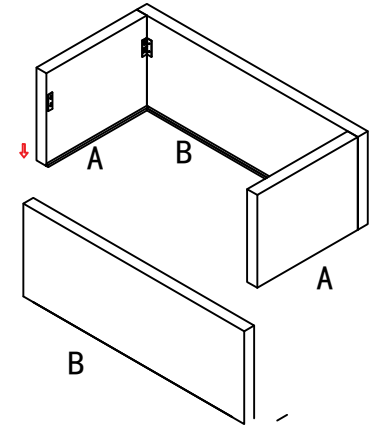
STEP 1



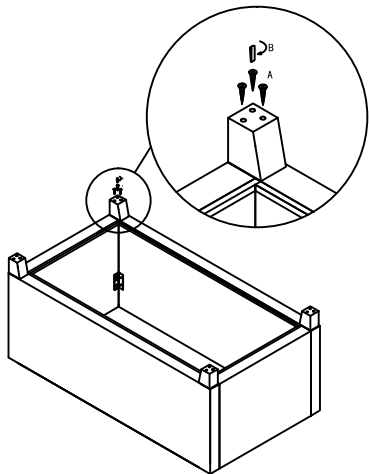
STEP 2



STEP 3

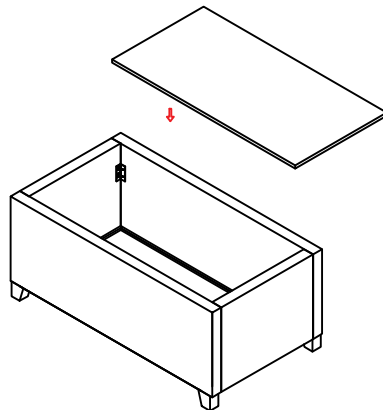


STEP 4

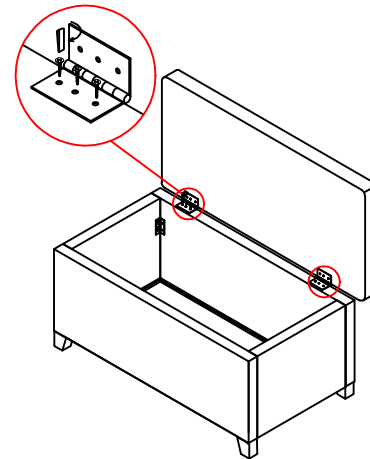


Lock each leg with 3PCS 2-3/4 Screws

STEP 5

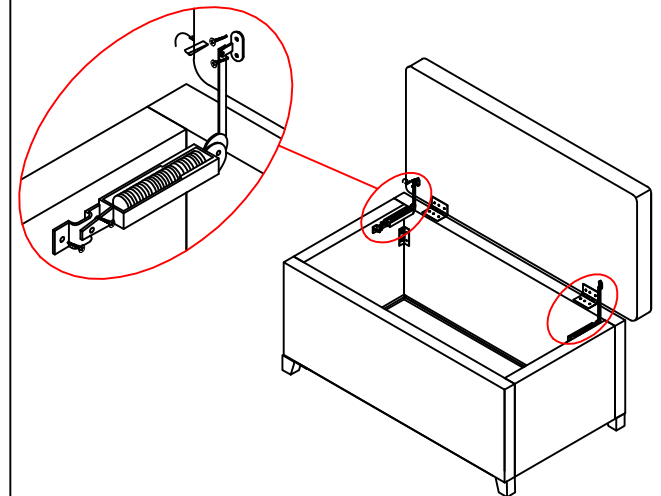


STEP 6



Use 3PCS 3/4 Screws on each side

STEP 7



Use 4PCS 3/4 Screws on each side