

- ▲Input Voltage 120VAC
- ▲Protections: short circuit/over load/over voltage
- ▲IP20 Ingress protection
- ▲Power Factor ≥ 0.9
- ▲Efficiency $\geq 82\%$
- ▲Class 2
- ▲Leading edge & trailing edge dimmable
- ▲3 years warranty

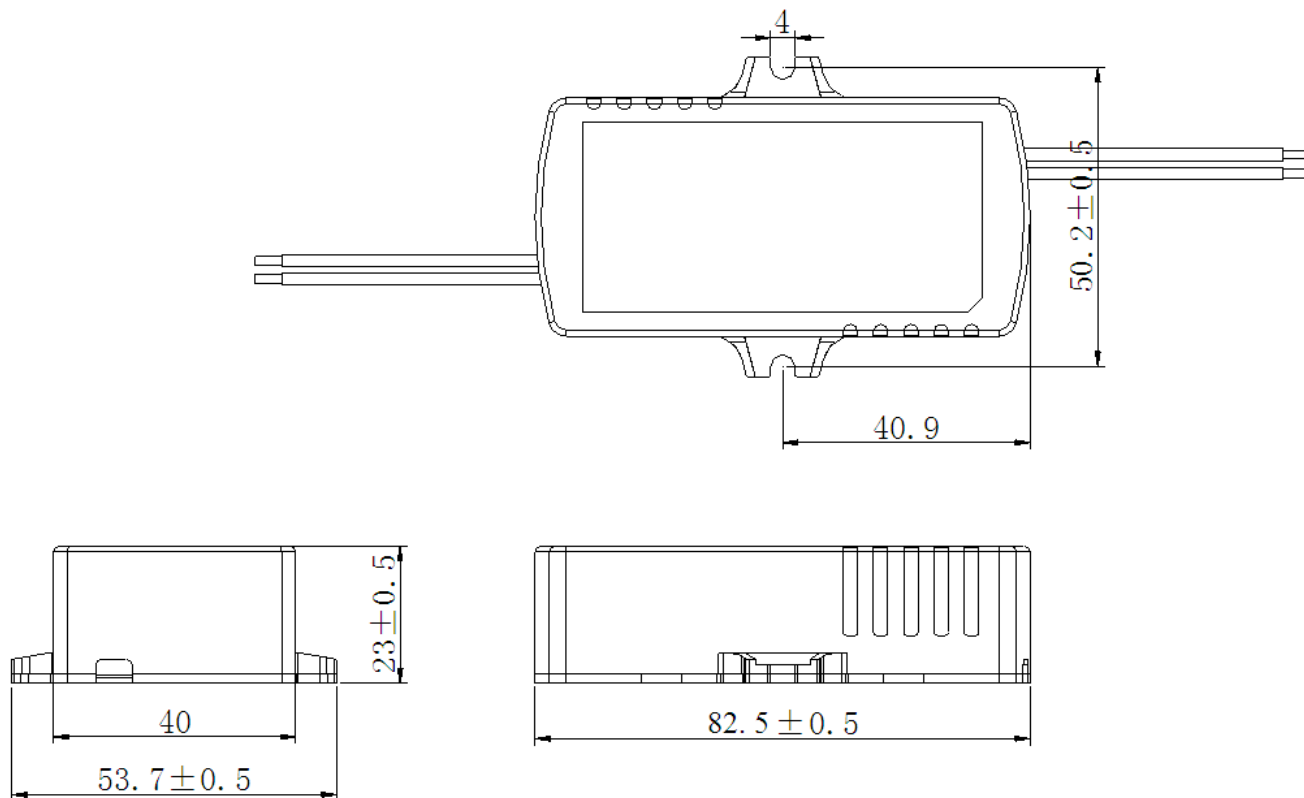


SPECIFICATION

(Note 4)

Input	Rated input voltage	120VAC				
	Range of input voltage	108-132VAC				
	Frequency(Hz)	50/60 Hz				
	Power Factor	≥ 0.9 @120VAC				
	Input Current max	0.17A MAX				
	Start-up time	<0.5S				
	Unload Power Consumption	$\leq 0.5W$				
	Inrush Current	10A MAX. @Full Load,120VAC				
	Leakage Current	<0.5mA				
Output	Constant Current Note.3	250mA	350mA	500mA	...	700mA
	Unload voltage Max.	59VDC	46VDC	34VDC	...	25VDC
	Voltage Range(VDC)	32-48VDC	23-35VDC	16-24VDC	...	11.5-17.5VDC
	Rated load	12W Max.	12.3W Max.	12W Max.	...	12.3W Max.
	Current Accuracy	$\pm 5\%$				
	Voltage Regulation	$\leq 3\%$ @Full Load				
	Load Regulation	$\leq 3\%$				
	Hold-up Time	1s max.@Full Load				
	Ripple& Noise Note.2	<150mAp-p	<210mAp-p	<200mAp-p	...	<280mAp-p
	Efficiency(Typ.)	$\geq 82\%$				
Dimming	Dimming mode	Triac, Leading edge & trailing edge dimmable				
	Recommend Dimmer	Lutron NT-1000/ S-600P/SCL-153P				
	Dimming current range	10% ~ 100%				
Protection	Over Load Protection	105-120% Protection type: Auto Resume				
	Over Voltage Protection	>59VDC	>46VDC	>34VDC	...	>25VDC
	Short circuit Protection	Protection type: Auto Resume				
Environment	Operating Temperature	-10°C...+50°C				
	tc	80°C				
	Storage Temperature	-20°C...+60°C				
	Humidity	10%-90%RH				
	Life time	>30,000h @50°C				
Others	Dimension	82.5X53.7X23 (LXWXH)mm				
Safety & EMC	Safety standards	UL8750				
	Withstand voltage	Input-Output: 1500VAC/5mA/1min				
	Isolation resistance	Input-Output: $\geq 4M\Omega$ @500VDC				
	EMI	FCC Part15				
	EMS	IEC 61000-4-5 —1000V; Performance Criteria C				
Note	<p>1.All parameters NOT specially mentioned are measured at 240VAC input , rated load and 25°C of ambient temperature.</p> <p>2.Ripple & Noise are measured at 20MHz of bandwidth by using a 300mm twisted pair-wire terminated with a 0.1uF & 47 uF parallel capacitor.</p> <p>3.Output current can be from 250mA to 700mA and increasing in multiples of 50mA. Please see Model list below and contact EAGLERISE for details.</p> <p>4.UL approval Certified only for 250mA, 350mA and 700mA.</p>					

MECHANICAL SPECIFICATIONS



Input			Output		
Voltage (VAC)	Current (A)	Frequency (Hz)	Constant current (mA)	Normal working voltage (VDC)	No load working voltage (VDC)
120	0.17	50/60	250	32-48	59
120	0.17	50/60	300	26.5-40	50
120	0.17	50/60	350	23-35	46
120	0.17	50/60	400	20-30	40
120	0.17	50/60	450	18-27	35
120	0.17	50/60	500	16-24	34
120	0.17	50/60	550	14.5-22	32
120	0.17	50/60	600	13-20	30
120	0.17	50/60	650	12-18.5	28
120	0.17	50/60	700	11.5-17.5	25

DESCRIPTIONS OF CHANGE

变更项目 ITEM	变更前 BEFORE	变更后 AFTER	版本 VERSION	变更日期 DATE
修正尺寸			REV1.1	2018-2-5