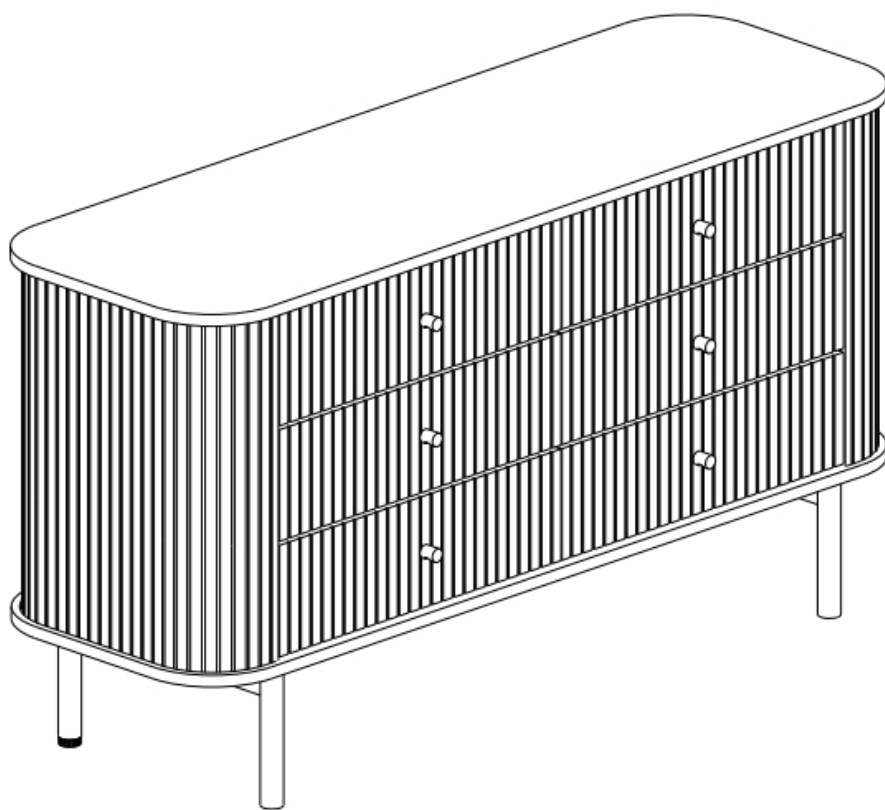
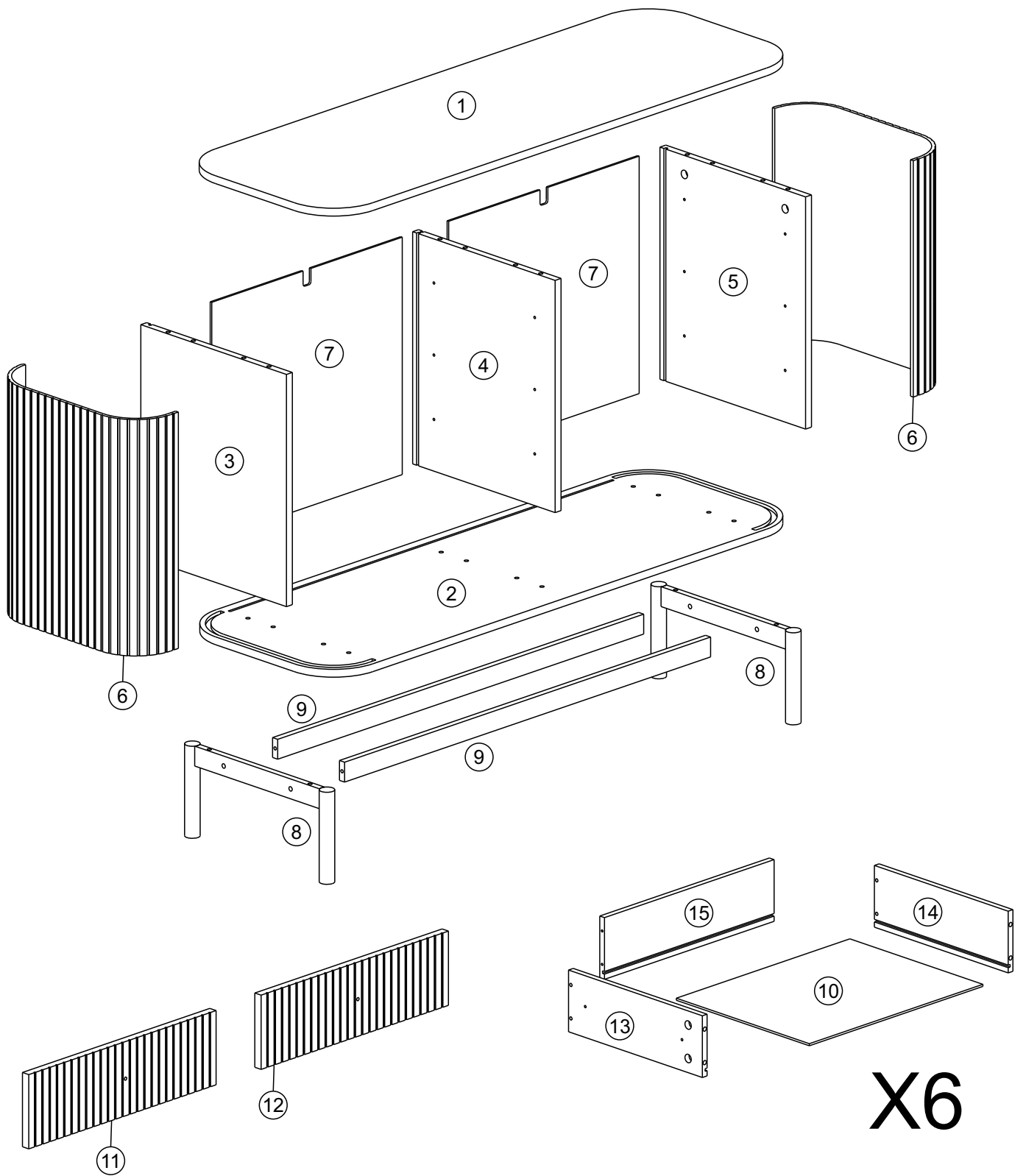
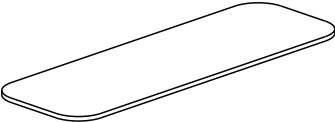
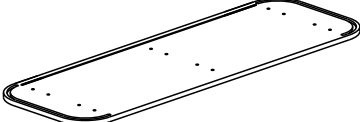

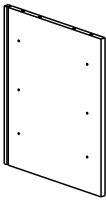
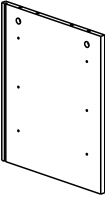
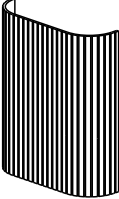
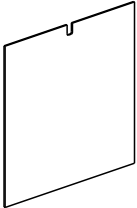
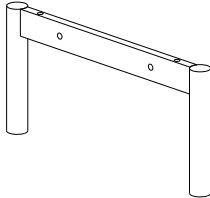
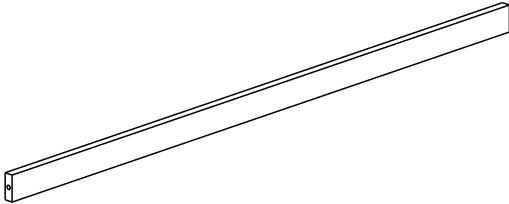
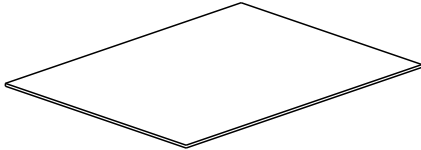
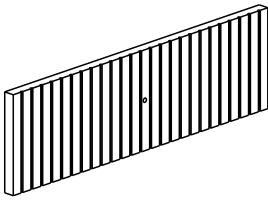
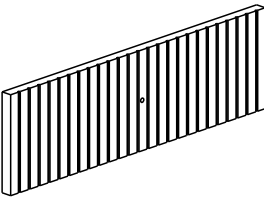
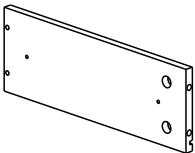
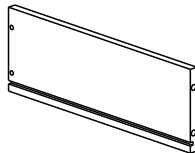
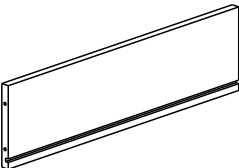
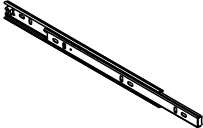
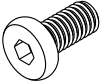
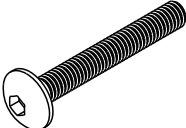
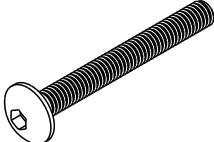
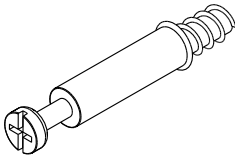
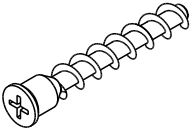
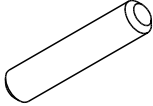
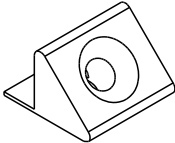
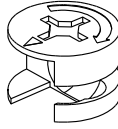
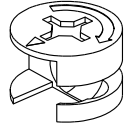
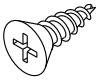
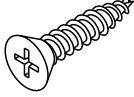
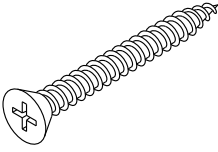
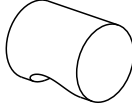
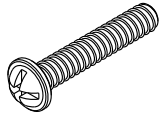
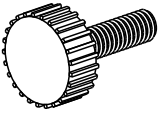
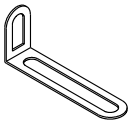
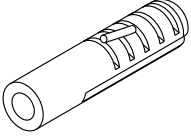
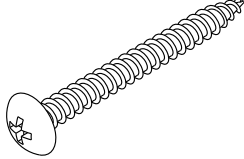
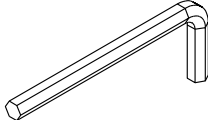


**chest**

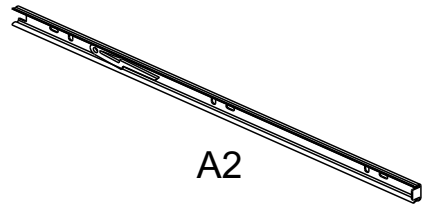
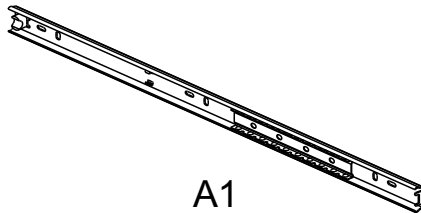
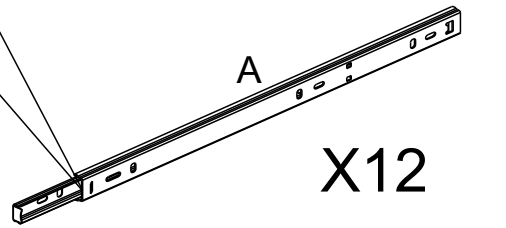
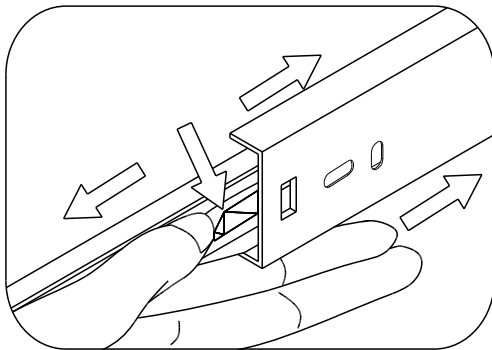
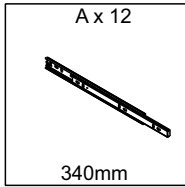




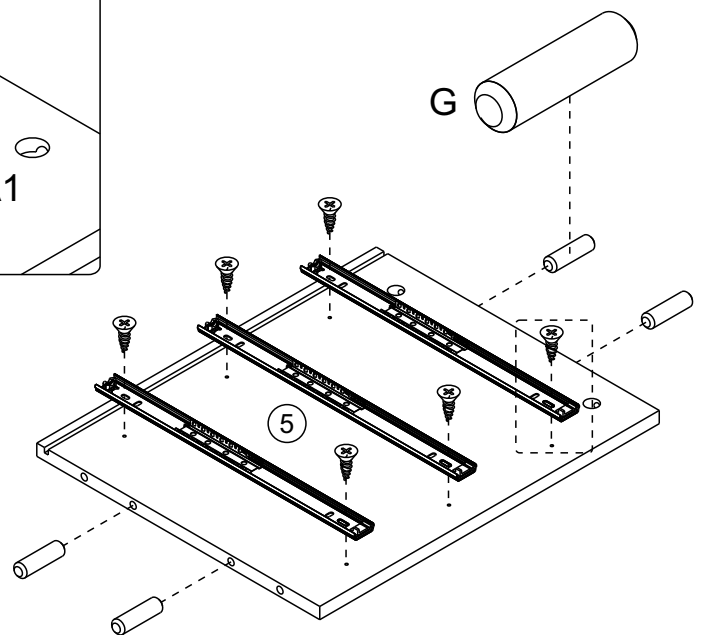
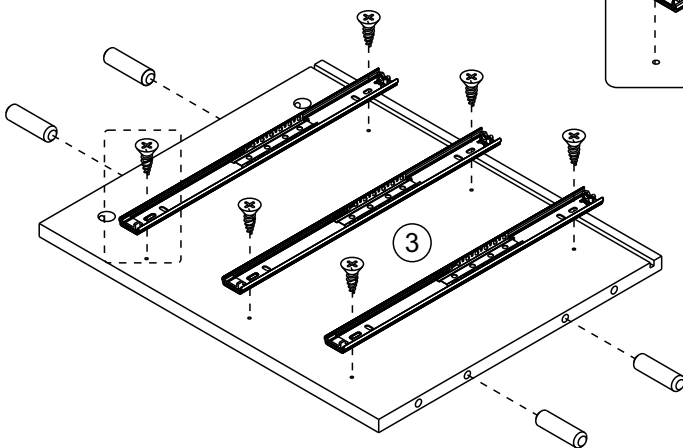
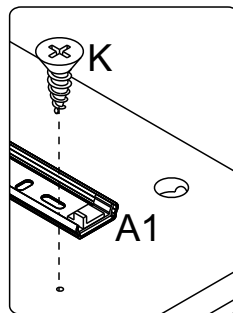
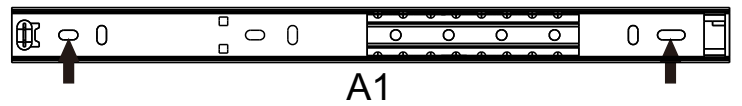
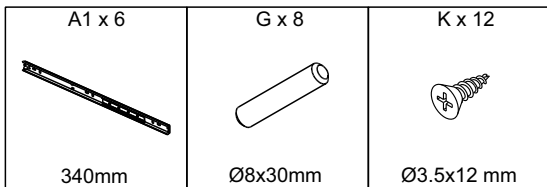
①		1	②		1
③		1	④		1
⑤		1	⑥		2
⑦		2	⑧		2
⑨		2	⑩		6
⑪		3	⑫		3
⑬		6	⑭		6
⑮		6			

<p>A x 12</p>  <p>340mm</p>	<p>B x 4</p>  <p>M6x12mm</p>	<p>C x 4</p>  <p>M6x40mm</p>	<p>D x 4</p>  <p>M6x48mm</p>	<p>E x 30</p>  <p>Ø6x45mm</p>
<p>F x 6</p>  <p>Ø5x45mm</p>	<p>G x 12</p>  <p>Ø8x30mm</p>	<p>H x 8</p>  <p>15x13x10mm</p>	<p>I x 24</p>  <p>Ø15x9 mm</p>	<p>J x 6</p>  <p>Ø15x12 mm</p>
<p>K x 48</p>  <p>Ø3.5x12 mm</p>	<p>L x 8</p>  <p>Ø3.5x20 mm</p>	<p>M x 24</p>  <p>Ø4x35 mm</p>	<p>N x 6</p>  <p>Ø17x22mm</p>	<p>O x 6</p>  <p>M4x20mm</p>
<p>P x 2</p>  <p>Ø23 mm</p>	<p>Q x 2</p>  <p>75x25x15 mm</p>	<p>R x 2</p> 	<p>S x 2</p>  <p>Ø5x40mm</p>	<p>T x 1</p>  <p>4 mm</p>


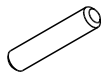

# 1

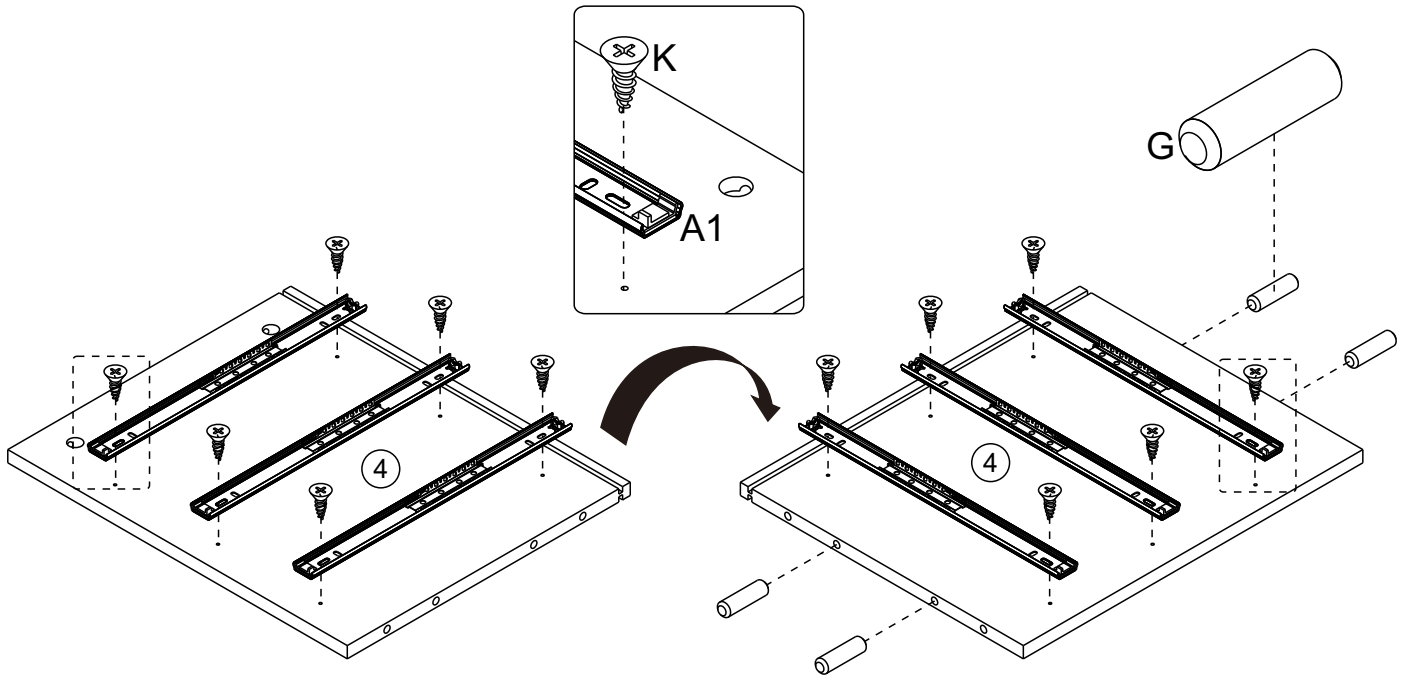
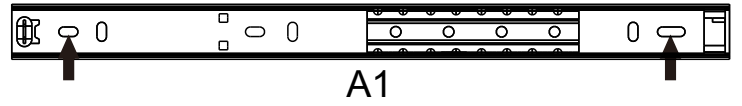


# 2


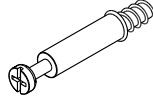

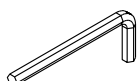


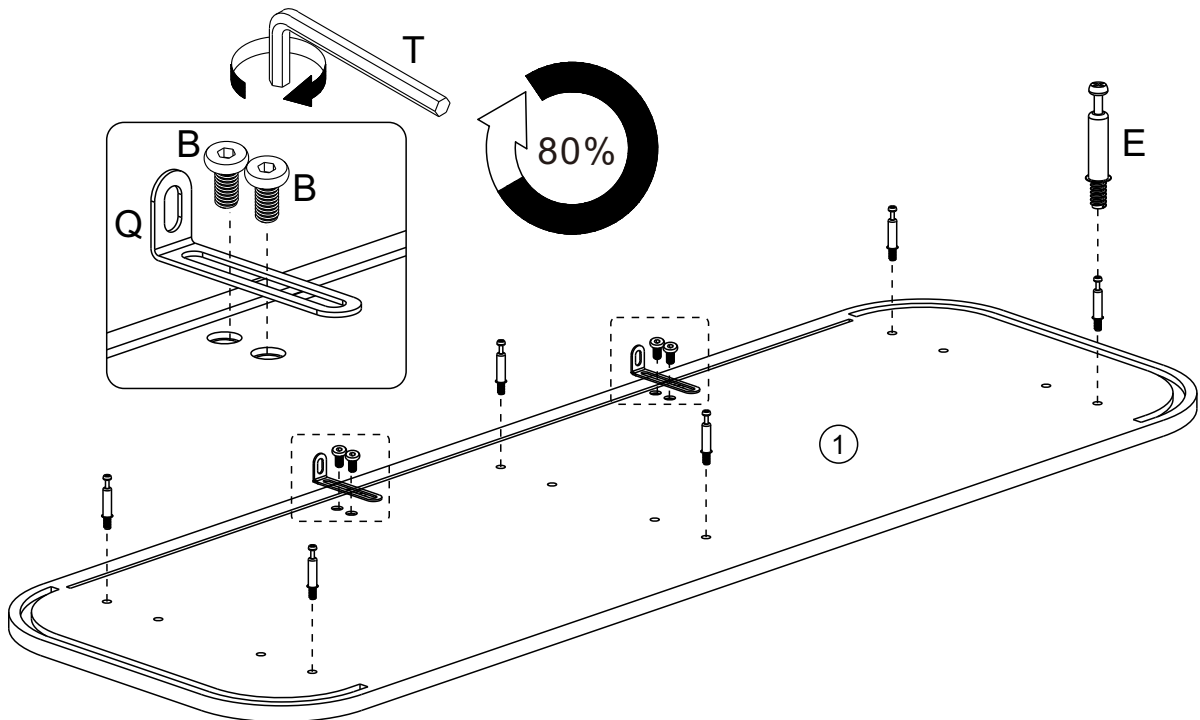
# 3

A1 x 6  340mm	G x 4  Ø8x30mm	K x 12  Ø3.5x12 mm
--	---	---

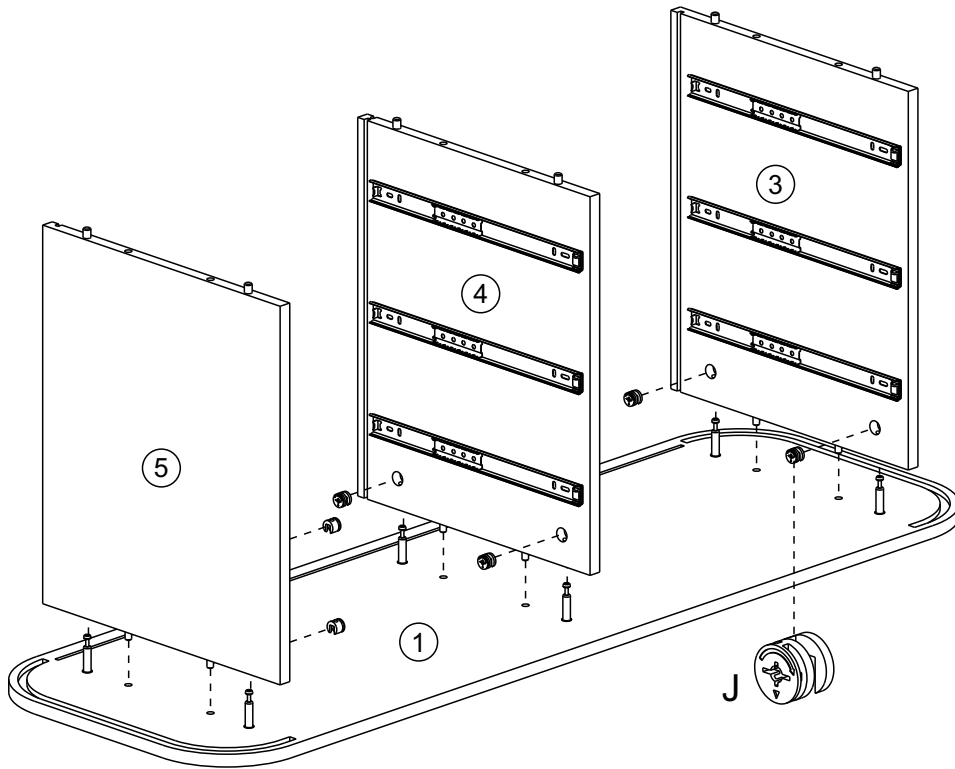
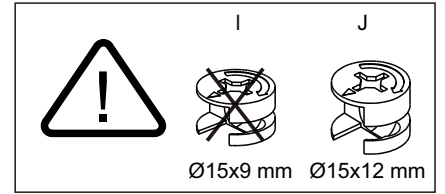
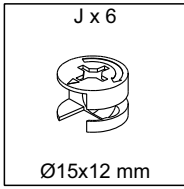


# 4

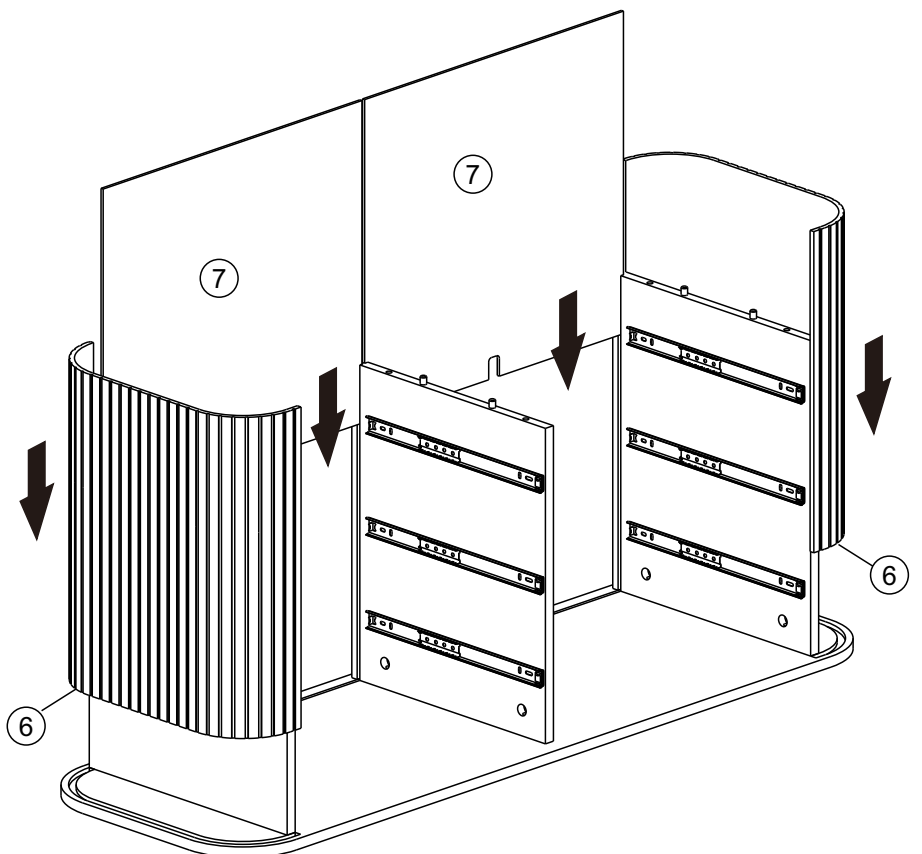
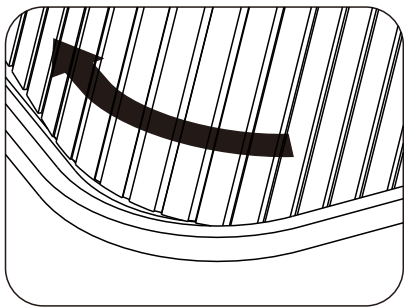
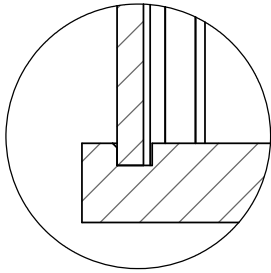
B x 4  M6x12mm	E x 6  Ø6x45mm	Q x 2  75x25x15 mm	T x 1  4 mm
---	---	---	--



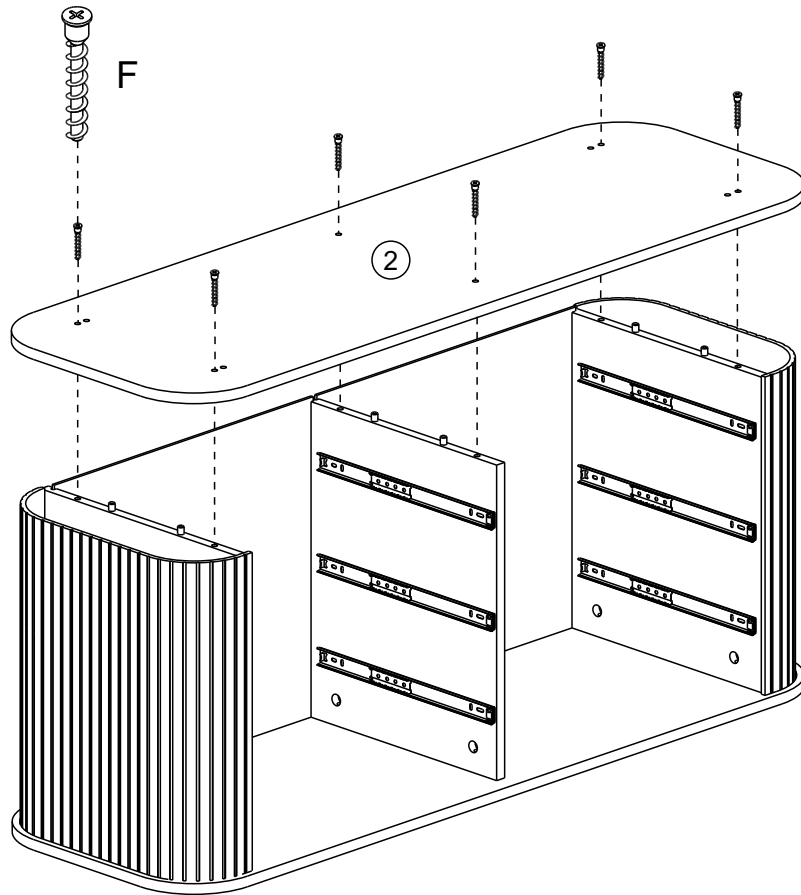
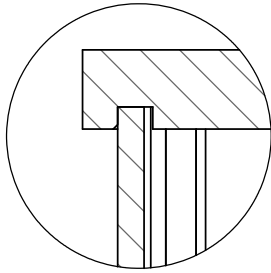
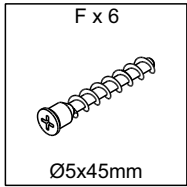
# 5



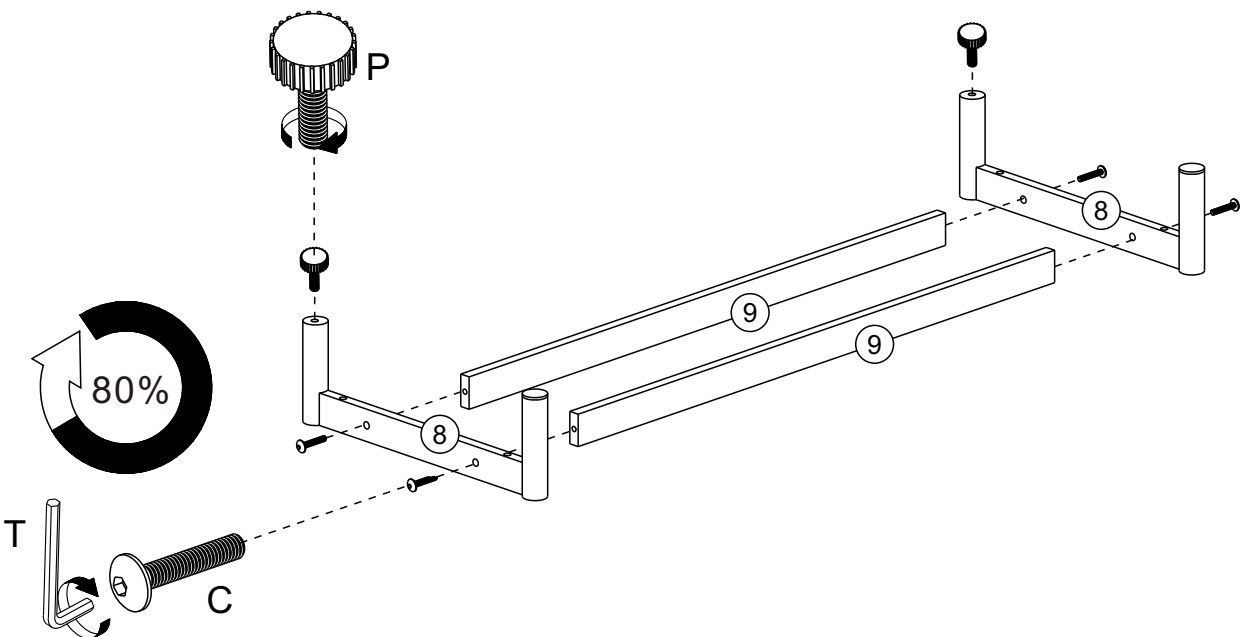
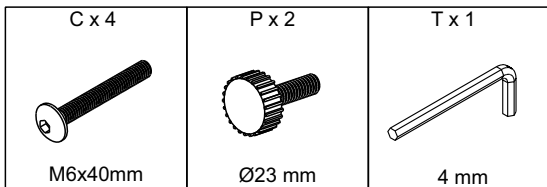
# 6



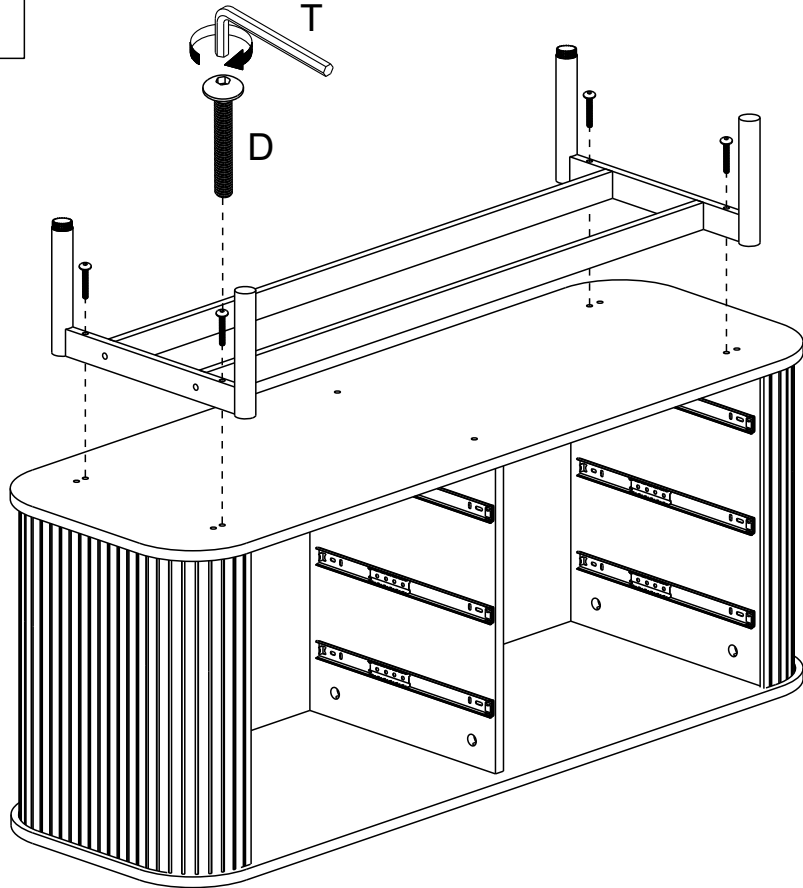
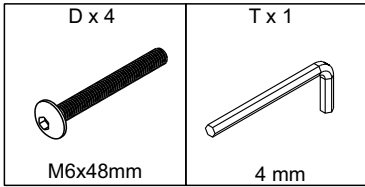
# 7



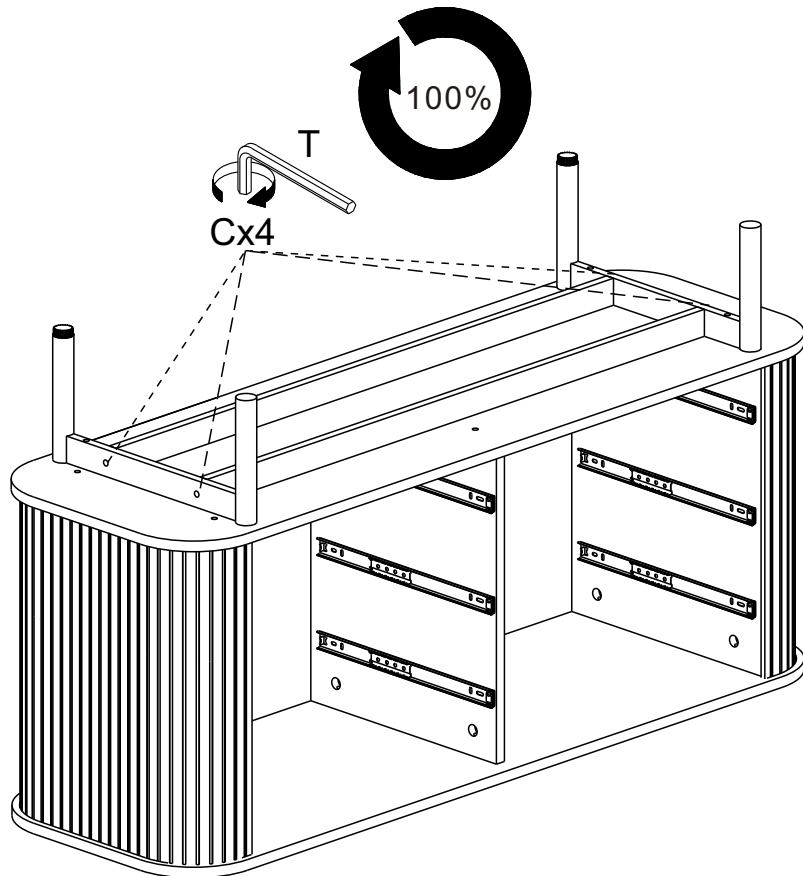
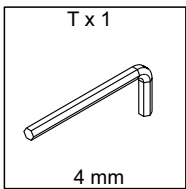
# 8



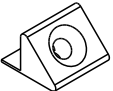

9

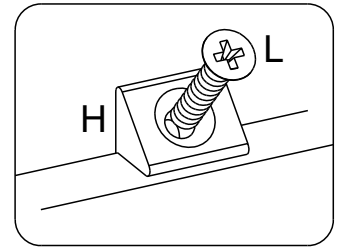
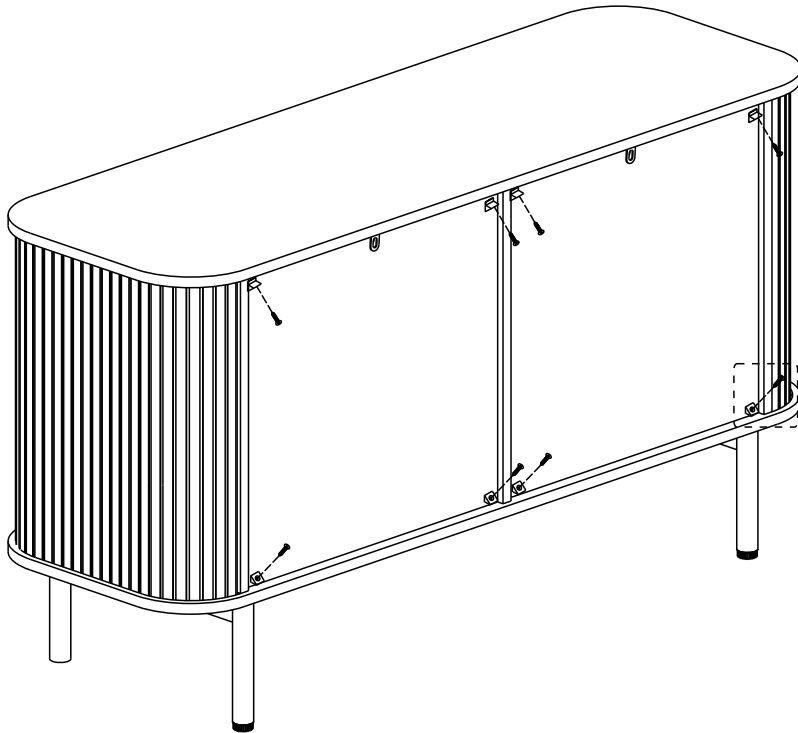


10



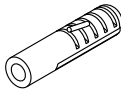
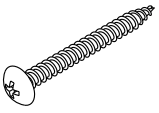
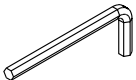
# 11

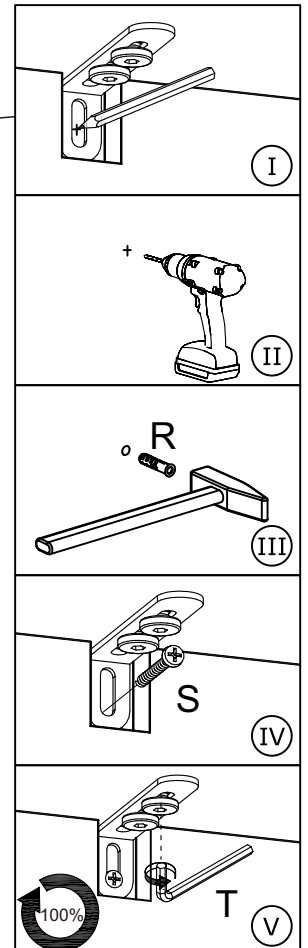
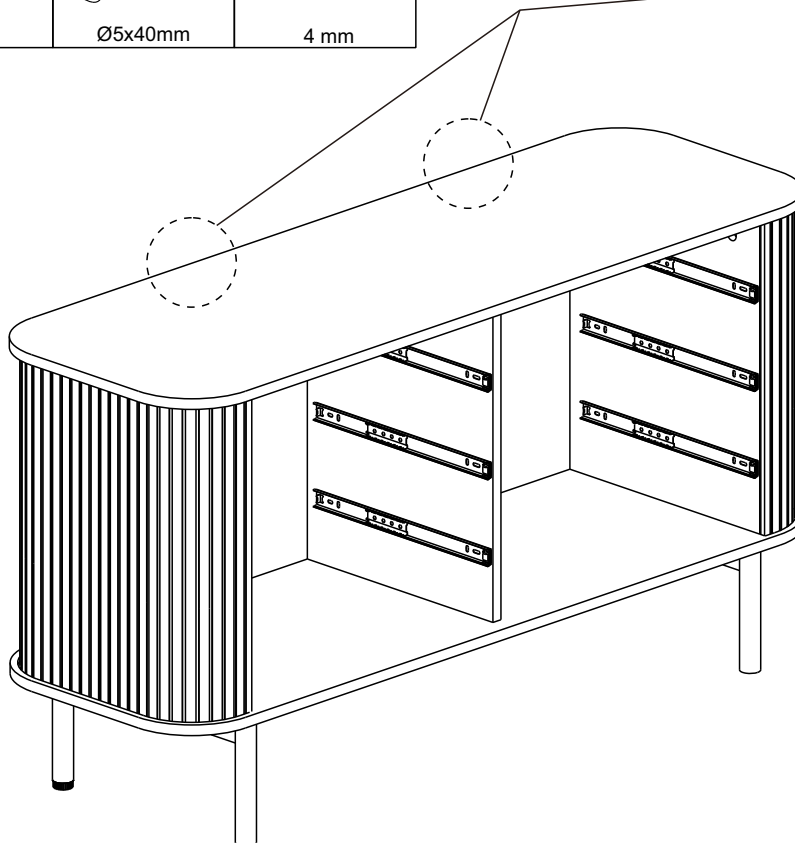
H x 8  15x13x10mm	L x 8  Ø3.5x20 mm
--	--



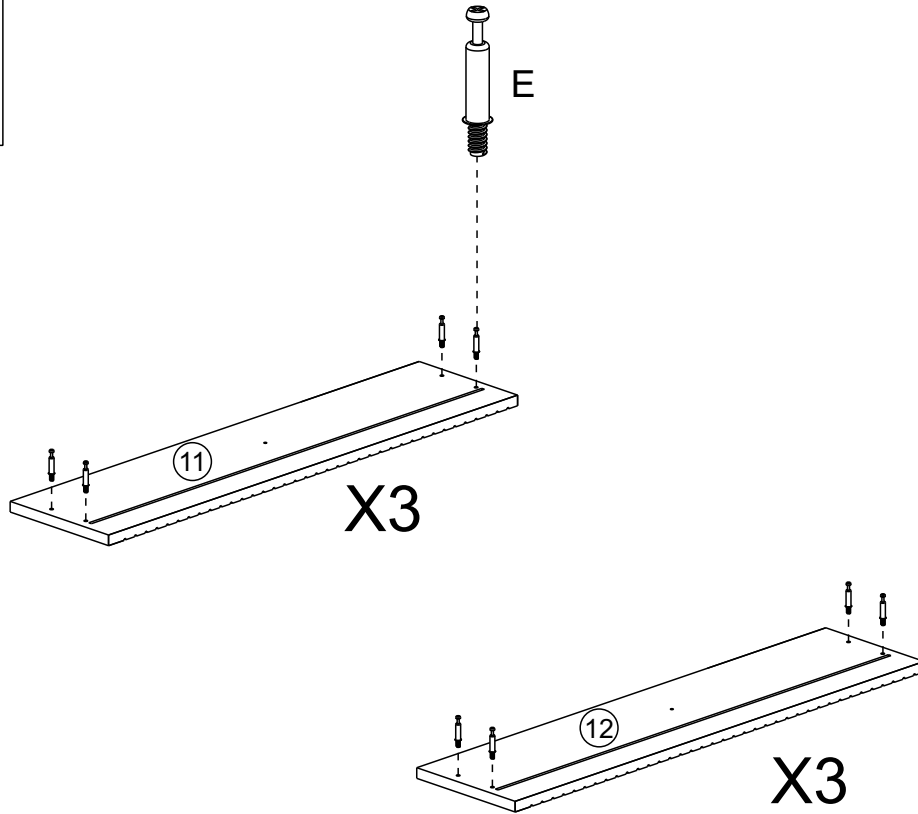
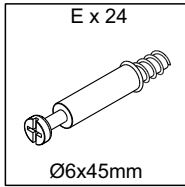
X8

# 12

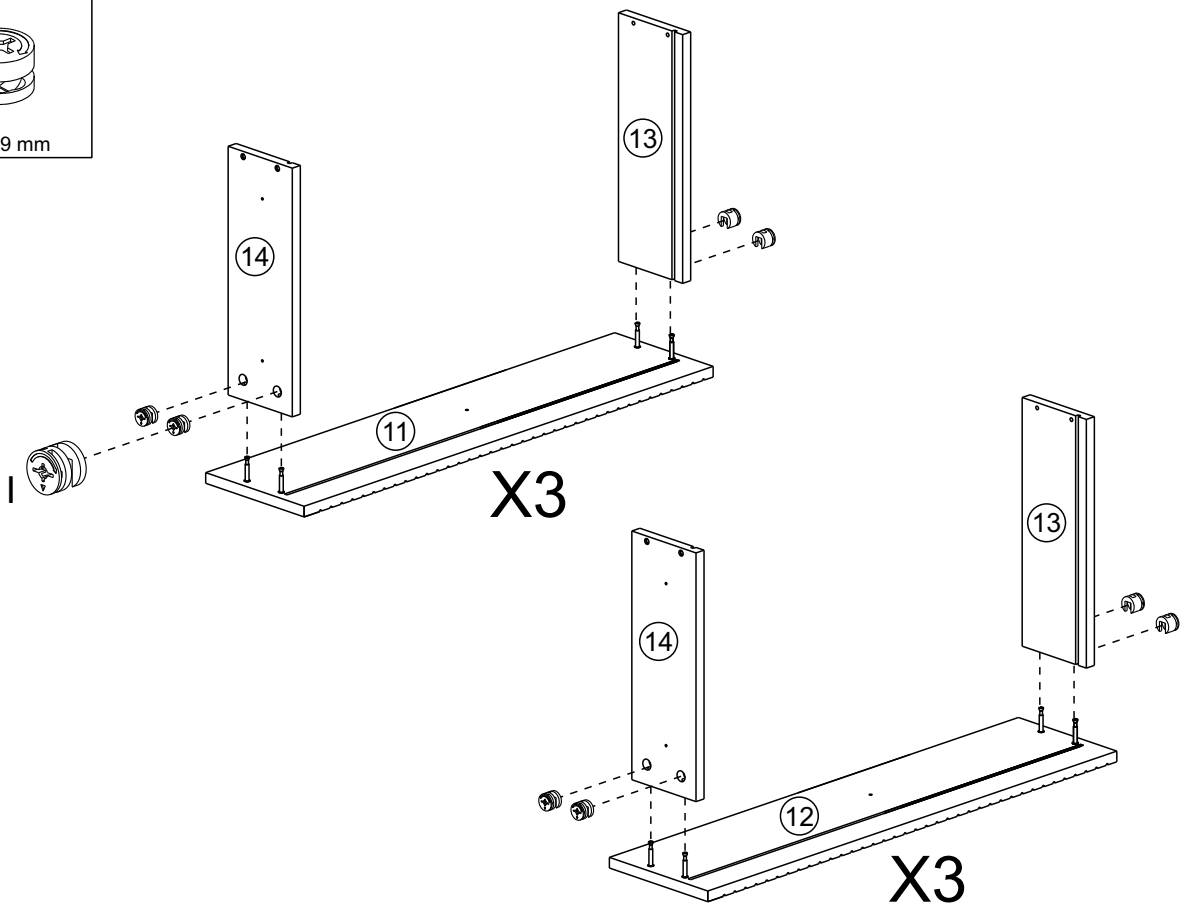
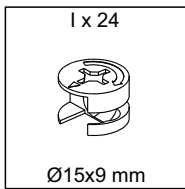
R x 2 	S x 2  Ø5x40mm	T x 1  4 mm
--	---	--



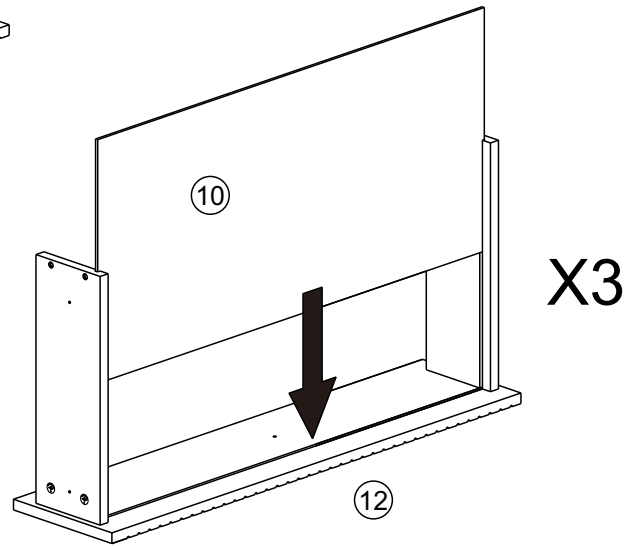
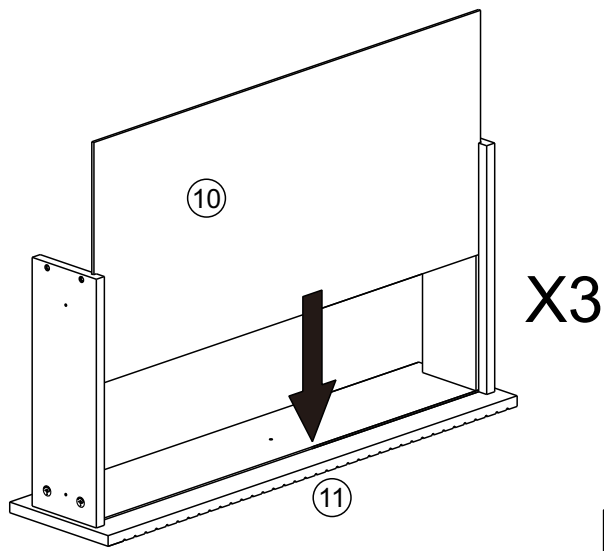
# 13



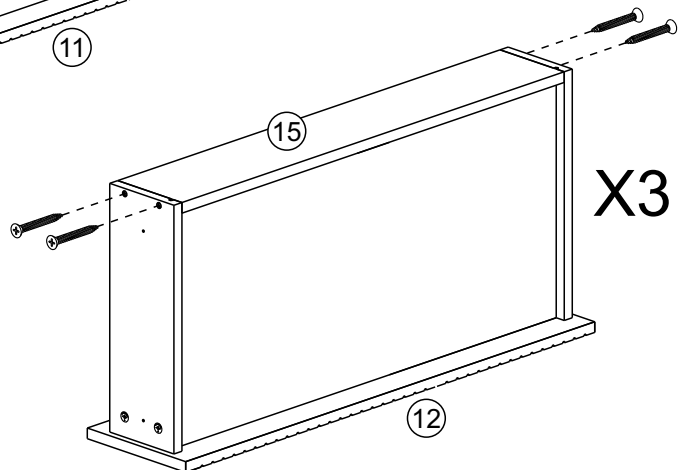
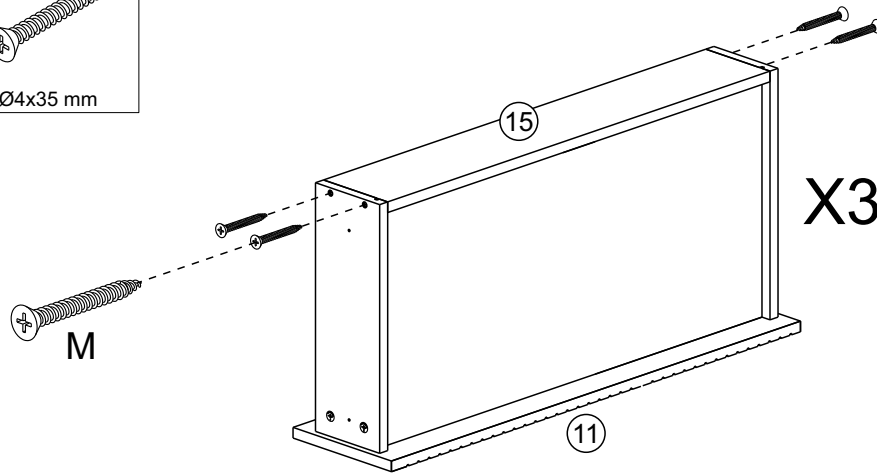
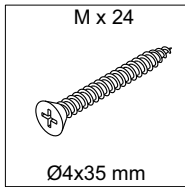
# 14





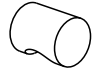

# 15

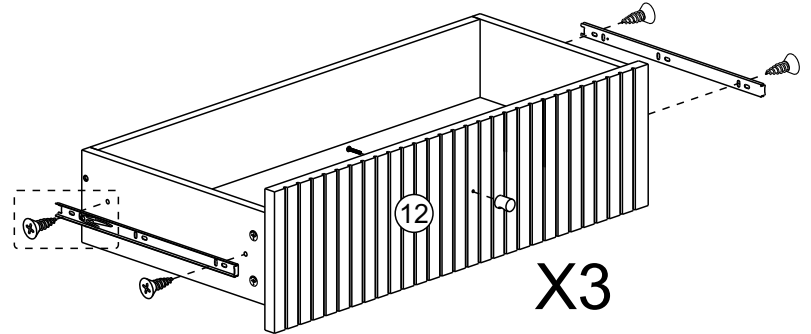
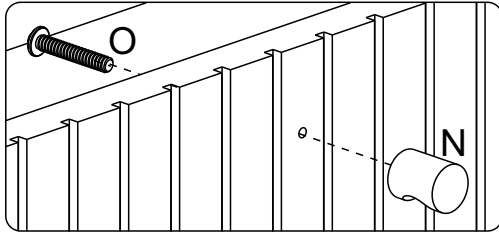
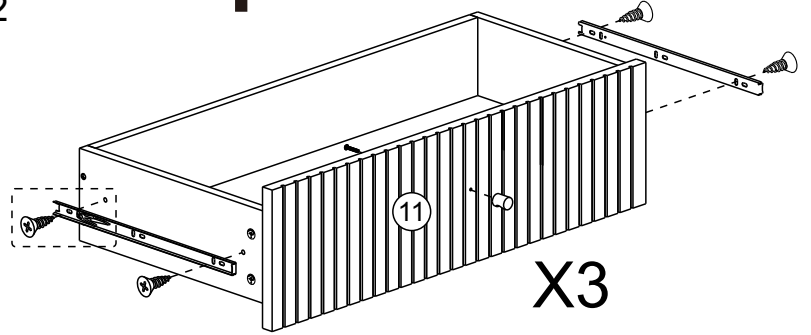
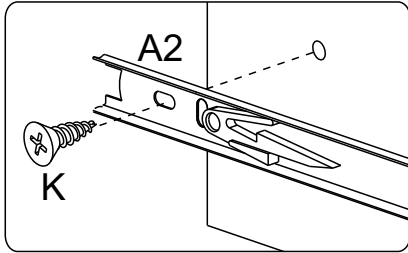
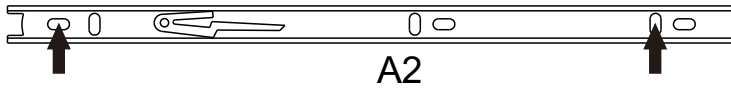


# 16



# 17

A2 x 12  340mm	K x 24  Ø3.5x12 mm	N x 6  Ø17x22mm	O x 6  M4x20mm
---	---	--	---



# 18

